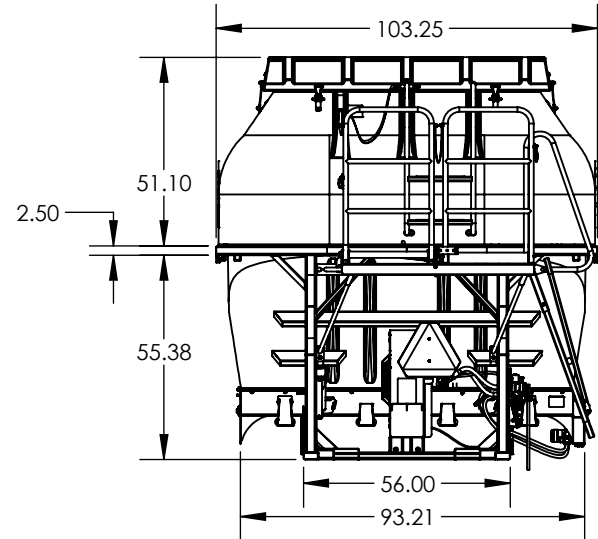
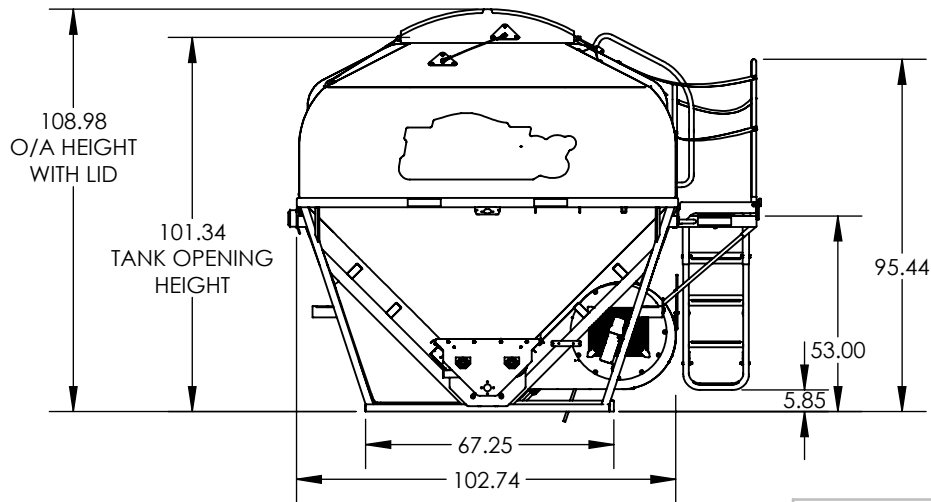
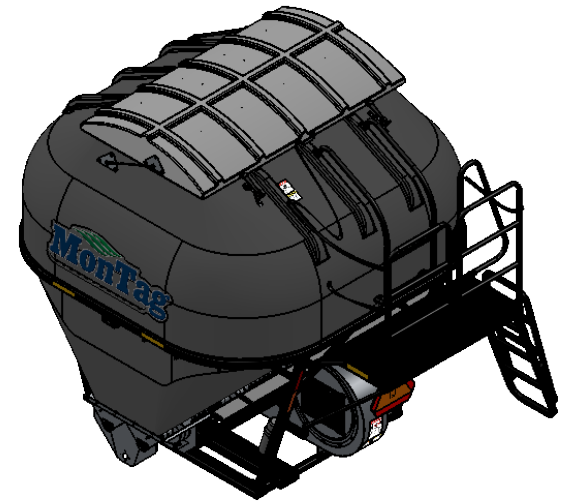


NOTE: LID REMOVED TO SHOW DETAIL



MONTAG MFG

3816 461st AVE,
Emmetsburg, IA 50536

P: 712-852-4572
F: 712-852-4574
www.montagmfg.com

DO NOT SCALE DRAWING
UNLESS OTHERWISE SPECIFIED:
DIMENSIONS ARE IN INCHES

TOLERANCES ARE AS FOLLOWS:
FRACTIONAL ± 1/32
ANGULAR: ± 1°
TWO PLACE DECIMAL ± .03
THREE PLACE DECIMAL ± .003

MATERIAL N/A

FINISH N/A

CONFIDENTIAL:
This drawing and design is proprietary
and confidential to Montag
Manufacturing, Inc.

	NAME	DATE
DRAWN	SEC	05/23/14
APPROVED	SEC	05/23/14

COMMENTS:

TITLE:

**9 Ton Unit - 16 Row
Standard Meter**

SIZE	PART. NO.	REV
A	S16A9	--01

SCALE: 1:52 WEIGHT: 2200.00 SHEET 6 OF 6