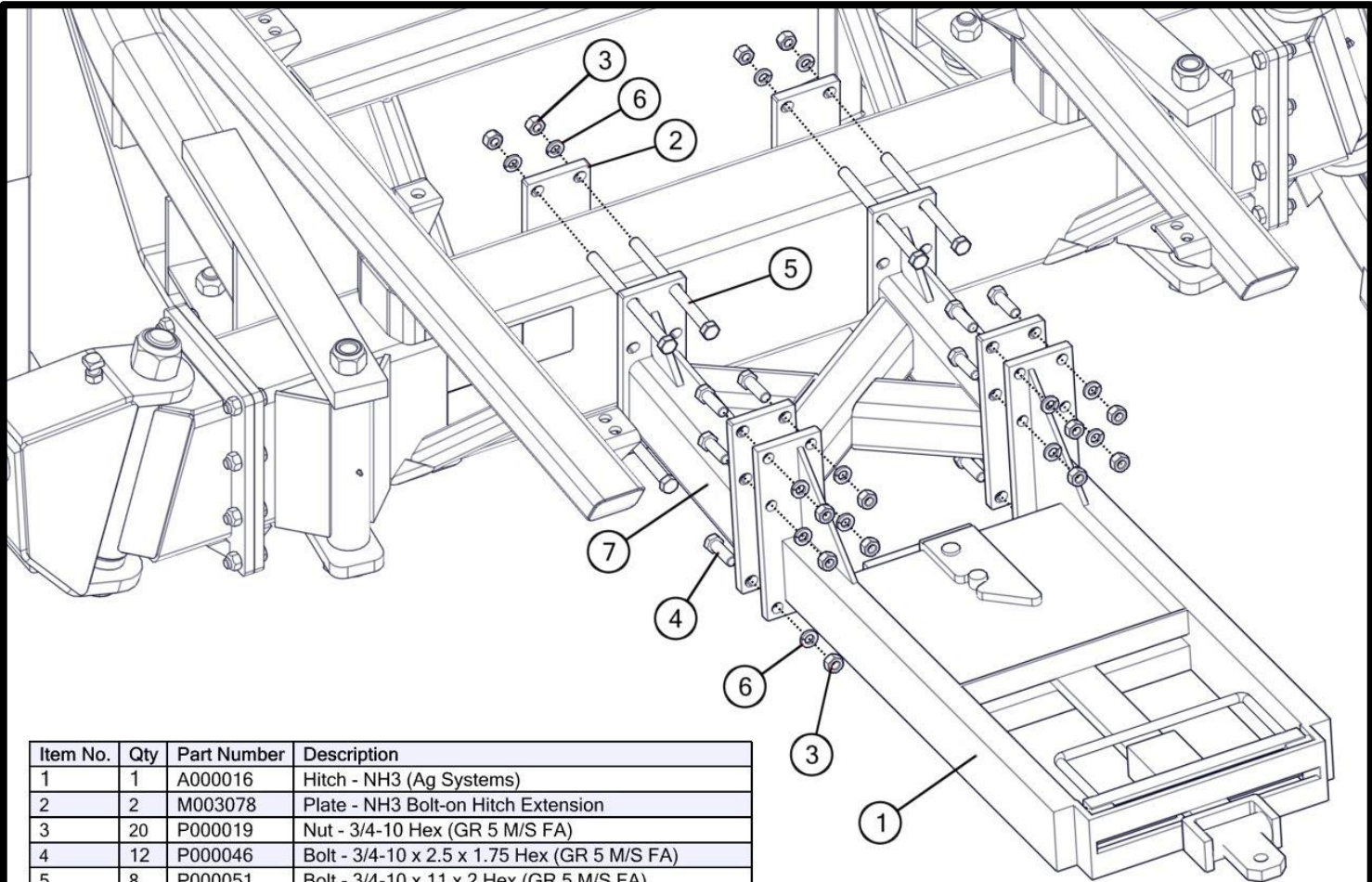
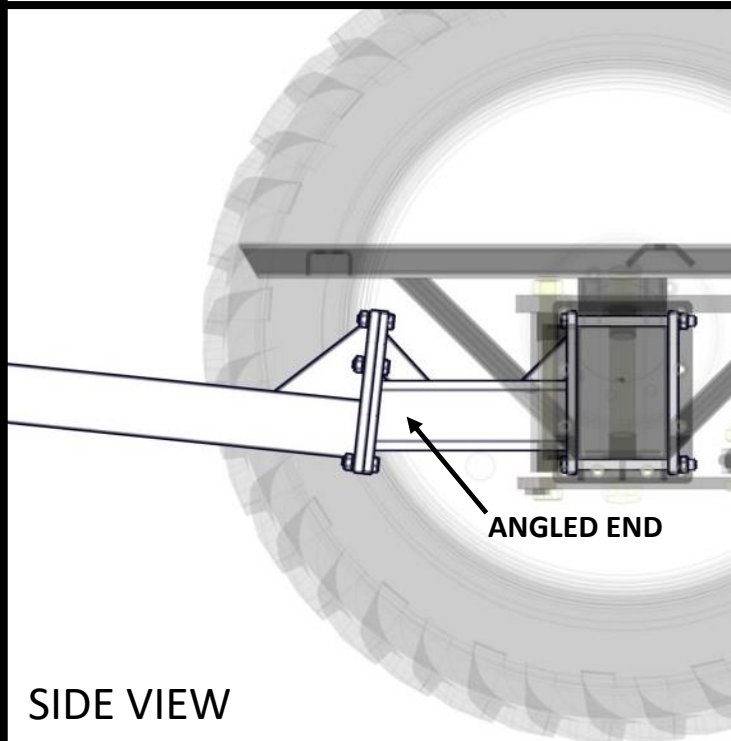


# A002411 - SPACER - NH3 BOLT ON HITCH EXTENSION INSTALLATION GUIDE

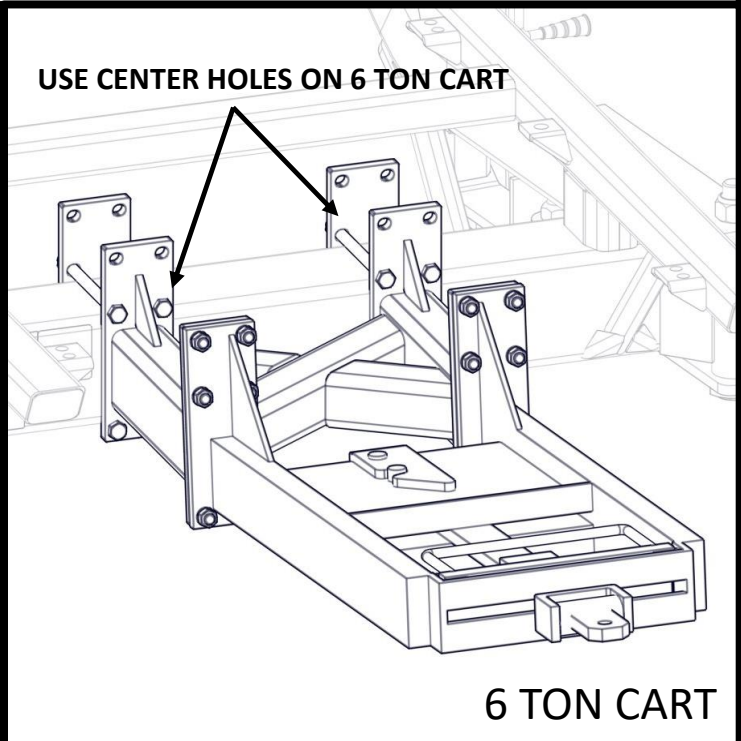


Item No.	Qty	Part Number	Description
1	1	A000016	Hitch - NH3 (Ag Systems)
2	2	M003078	Plate - NH3 Bolt-on Hitch Extension
3	20	P000019	Nut - 3/4-10 Hex (GR 5 M/S FA)
4	12	P000046	Bolt - 3/4-10 x 2.5 x 1.75 Hex (GR 5 M/S FA)
5	8	P000051	Bolt - 3/4-10 x 11 x 2 Hex (GR 5 M/S FA)
6	20	P000070	Washer - 3/4" Split Lock (1.265" OD) (GR 5 M/S FA)
7	1	W002531	Spacer - NH3 Bolt on Hitch Extension (Black)

**9 TON CART**



**SIDE VIEW**



**6 TON CART**