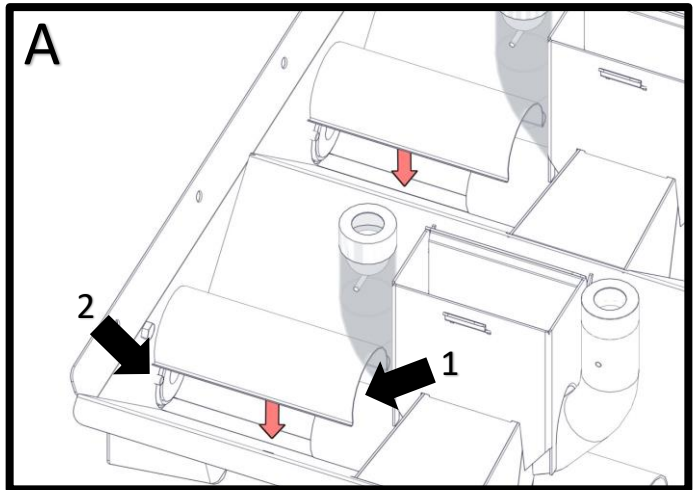
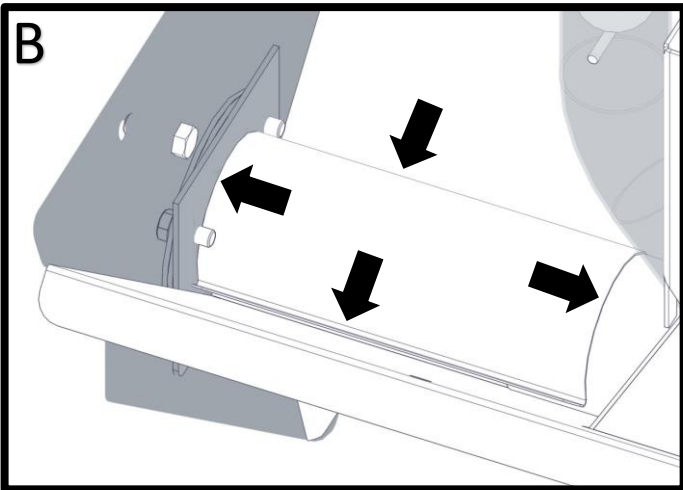


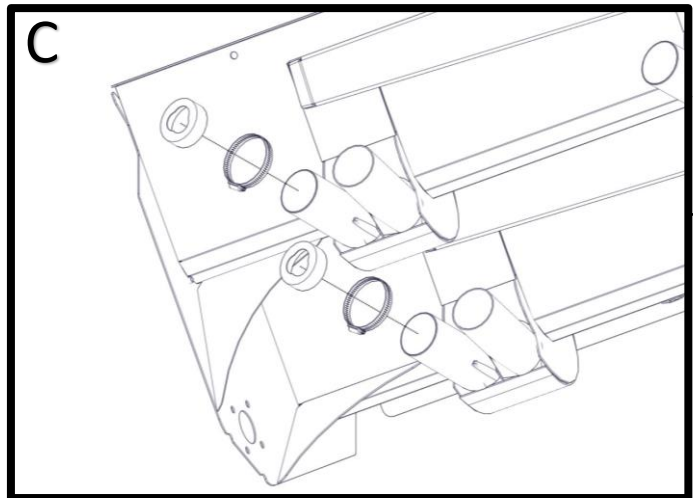
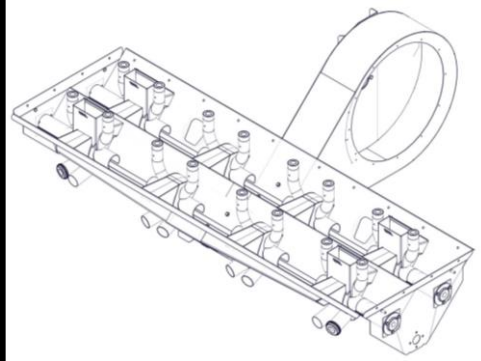
16 ROW TO 12 ROW REDUCER INSTALLATION GUIDE



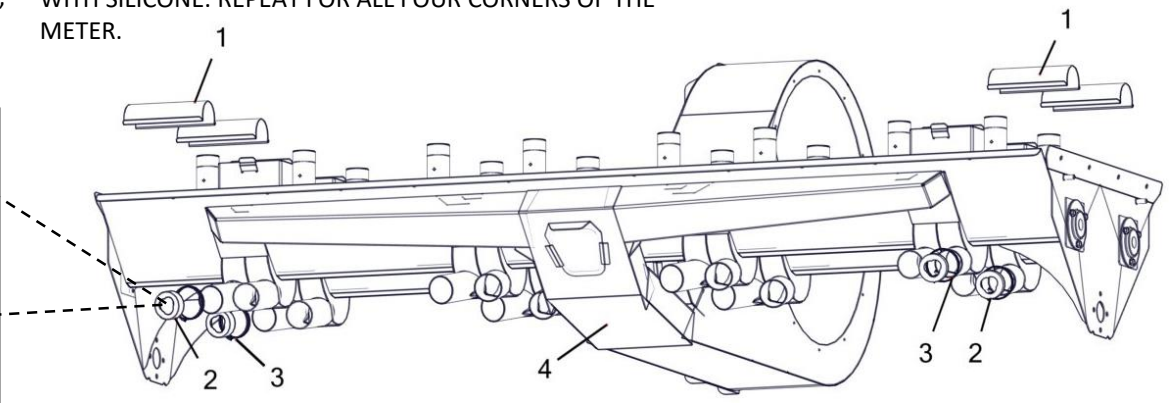
APPLY SILICONE TO TOP OF AUGER COVER (ARROW 1). REDUCER SHOULD BE TIGHT AGAINST THE SIDE OF THE METER, BELOW THE BOLTS THAT HOLD THE BEARING IN PLACE (ARROW 2). SNAP THE REDUCER DOWN OVER THE COVER.



WITH THE REDUCER SECURELY IN PLACE, SEAL EACH EDGE WITH SILICONE. REPEAT FOR ALL FOUR CORNERS OF THE METER.



SLIDE CAPS OVER ALL FOUR OUTSIDE ROW OUTLET TUBES. SECURE EACH ONE WITH A HOSE CLAMP.



Item No.	Qty	Description
1	4	Row Reducer 8 Row - Outside (1 Row)
2	4	Cap - Orange w/Hole
3	4	Hose Clamp
4	1	Meter - 16 Row Section Control Ready