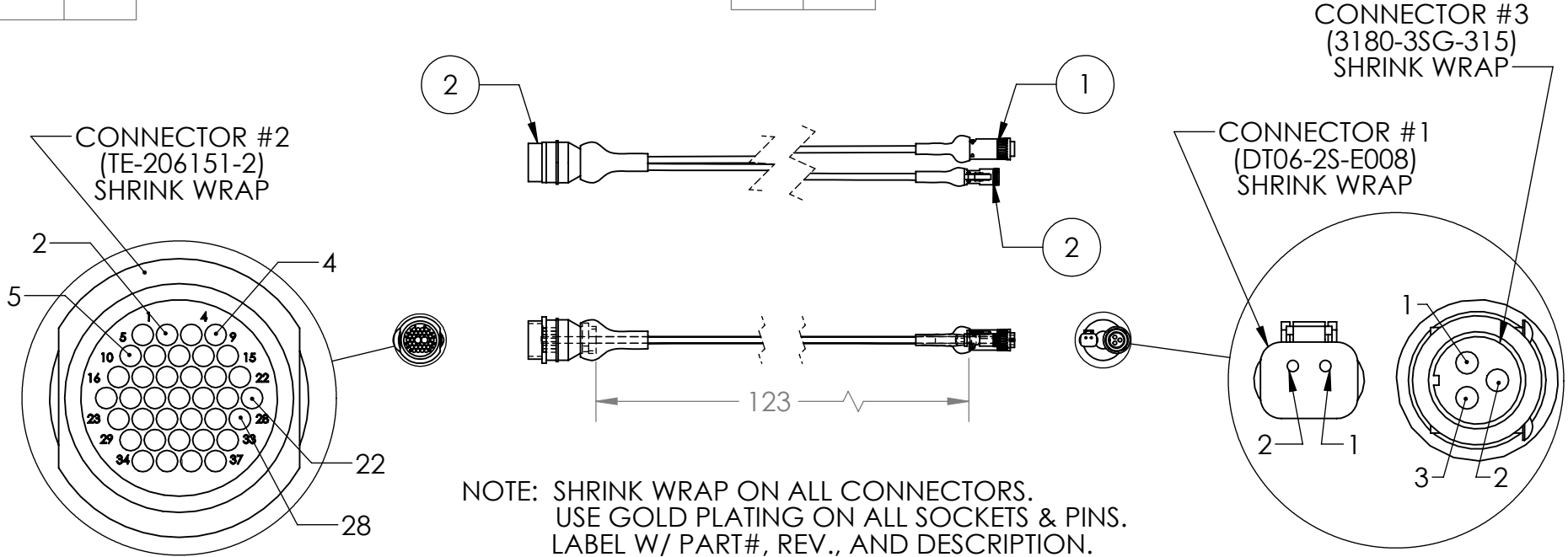



REVISIONS			
REV.	DESCRIPTION	DATE	APPROVAL
A	RELEASED FOR PRODUCTION	4/13/2015	IJM
B	CORRECTED PINOUT	4/24/2015	IJM
C	CHANGED TITLE BLOCK	2/12/2018	IJM



ITEM NO.	QTY.	PART NUMBER	DESCRIPTION
1	1	3180-3SG-315	3 Pin Molex Connector
2	1	DT06-2S-E008	Connector - Deutsch 2-Pin Plug
2	1	TE-206151-2	TE Connectivity - 37 pos. Circular Plastic M Connector



**MONTAG MFG**

3816 461st AVE,  
Emmetsburg, IA 50536

P: 712-852-4572  
F: 712-852-4574  
www.montagmfg.com

DO NOT SCALE DRAWING UNLESS OTHERWISE SPECIFIED: DIMENSIONS ARE IN INCHES		CONFIDENTIAL: This drawing and design is proprietary and confidential to Montag Manufacturing, Inc.		TITLE: <b>Harness - 37 Pin Greenstar RC (Single Product/Section) (5V Encoder)</b>										
TOLERANCES ARE AS FOLLOWS: FRACTIONAL ± 1/32 ANGULAR: ± 1 TWO PLACE DECIMAL ±.03 THREE PLACE DECIMAL ±.003		DRAWN	NAME			DATE								
MATERIAL	N/A	APPROVED	KJW	03/15/18	<table border="1" style="width: 100%; border-collapse: collapse;"> <tr> <td style="font-size: x-small;">SIZE</td> <td style="font-size: x-small;">PART. NO.</td> <td style="font-size: x-small;">REV</td> </tr> <tr> <td style="font-size: 2em; text-align: center;"><b>A</b></td> <td style="font-size: 1.5em; text-align: center;"><b>P000717</b></td> <td style="font-size: 2em; text-align: center;"><b>C</b></td> </tr> <tr> <td style="font-size: x-small;">SCALE: 1:6</td> <td style="font-size: x-small;">WEIGHT: 4.38</td> <td style="font-size: x-small;">SHEET 1 OF 1</td> </tr> </table>	SIZE	PART. NO.	REV	<b>A</b>	<b>P000717</b>	<b>C</b>	SCALE: 1:6	WEIGHT: 4.38	SHEET 1 OF 1
SIZE	PART. NO.	REV												
<b>A</b>	<b>P000717</b>	<b>C</b>												
SCALE: 1:6	WEIGHT: 4.38	SHEET 1 OF 1												
FINISH	N/A	COMMENTS: 18 GA GXL WIRE												