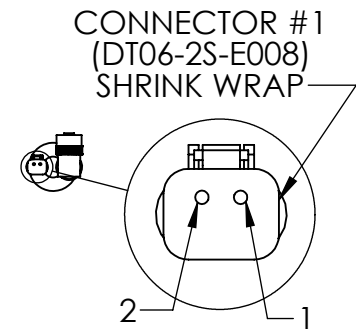
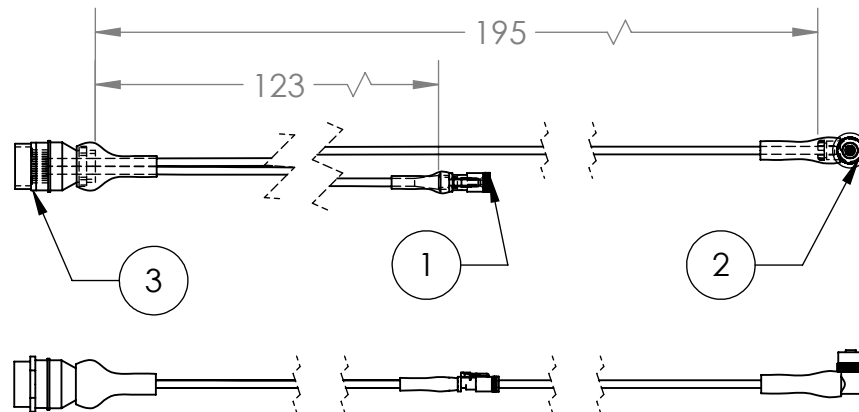
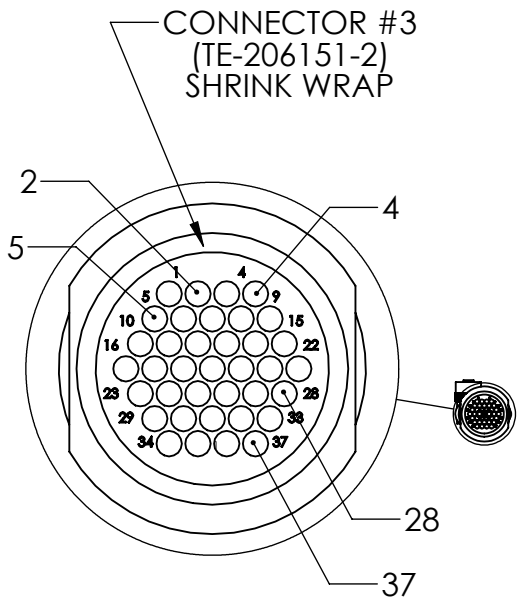



REVISIONS			
REV.	DESCRIPTION	DATE	APPROVAL
A	RELEASED FOR PRODUCTION	6/16/2015	IJM
B	UPDATED PINOUT FOR 12 VOLT ENCODER	7/13/2015	IJM

#3	4	PWM Common (-)	2	#1
	5	PWM Power (+)	1	
	28	Encoder Signal	4	#2
	2	Encoder Common (-)	3	
	37	Encoder Power (+)	1	



NOTE: SHRINK WRAP ON ALL CONNECTORS.
USE GOLD PLATING ON ALL SOCKETS & PINS.
LABEL W/ PART#, REV., AND DESCRIPTION.

ITEM NO.	QTY.	PART NUMBER	DESCRIPTION
1	1	DT06-2S-E008	Connector - Deutsch 2-Pin Plug
2	1	P002037	Connector - 5 Pin M12 90 Female Plug
3	1	TE-206151-2	TE Connectivity - 37 pos. Circular Plastic M Connector



MONTAG MFG
3816 461st AVE,
Emmetsburg, IA 50536

P: 712-852-4572
F: 712-852-4574
www.montagmfg.com

DO NOT SCALE DRAWING UNLESS OTHERWISE SPECIFIED: DIMENSIONS ARE IN INCHES			CONFIDENTIAL: This drawing and design is proprietary and confidential to Montag Manufacturing, Inc.			TITLE: Harness - 37 Pin GreenStar RC (Single Product/Section) (12V Encoder)		
TOLERANCES ARE AS FOLLOWS: FRACTIONAL: ± 1/32 ANGULAR: ± 1 TWO PLACE DECIMAL: ±.03 THREE PLACE DECIMAL: ±.003			DRAWN	NAME	DATE			
MATERIAL	N/A		COMMENTS: 18 GA GXL WIRE			SIZE	PART. NO.	REV
FINISH	N/A					A	P002038	B-03
						SCALE: 1:6	WEIGHT: 5.43	SHEET 1 OF 1