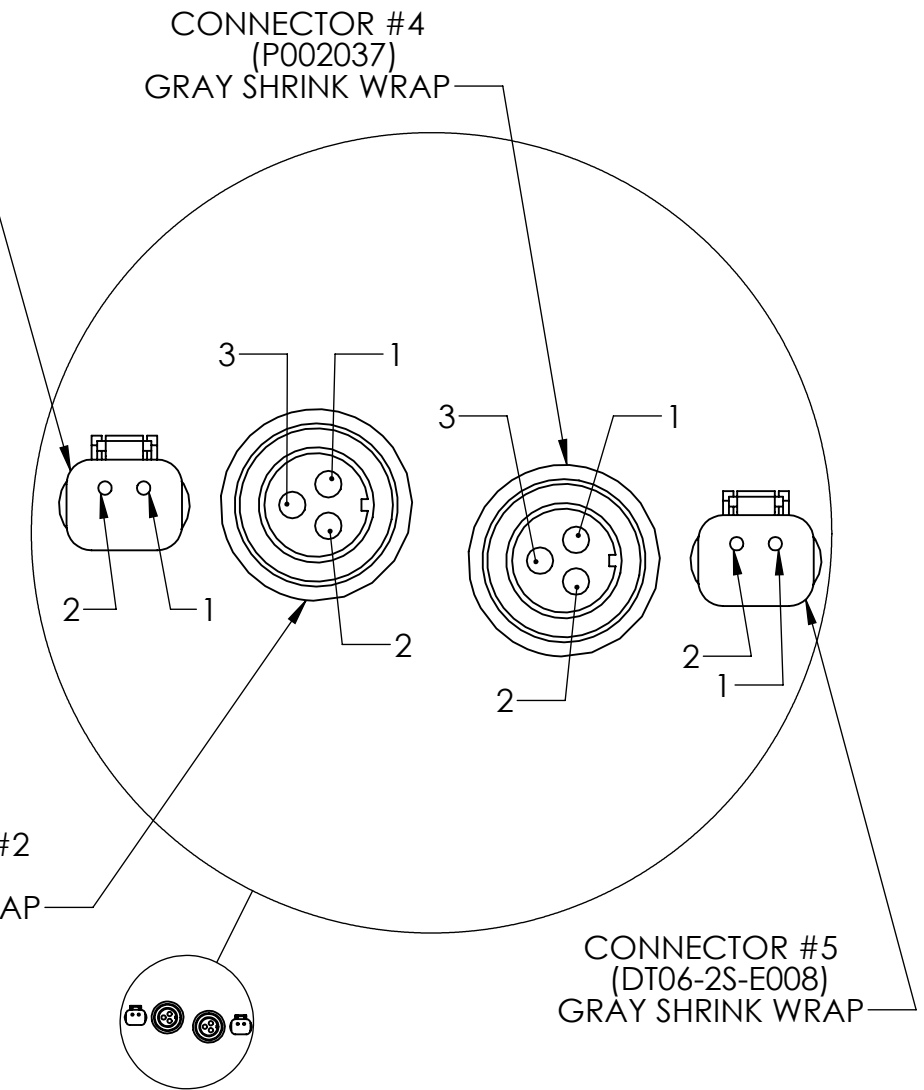
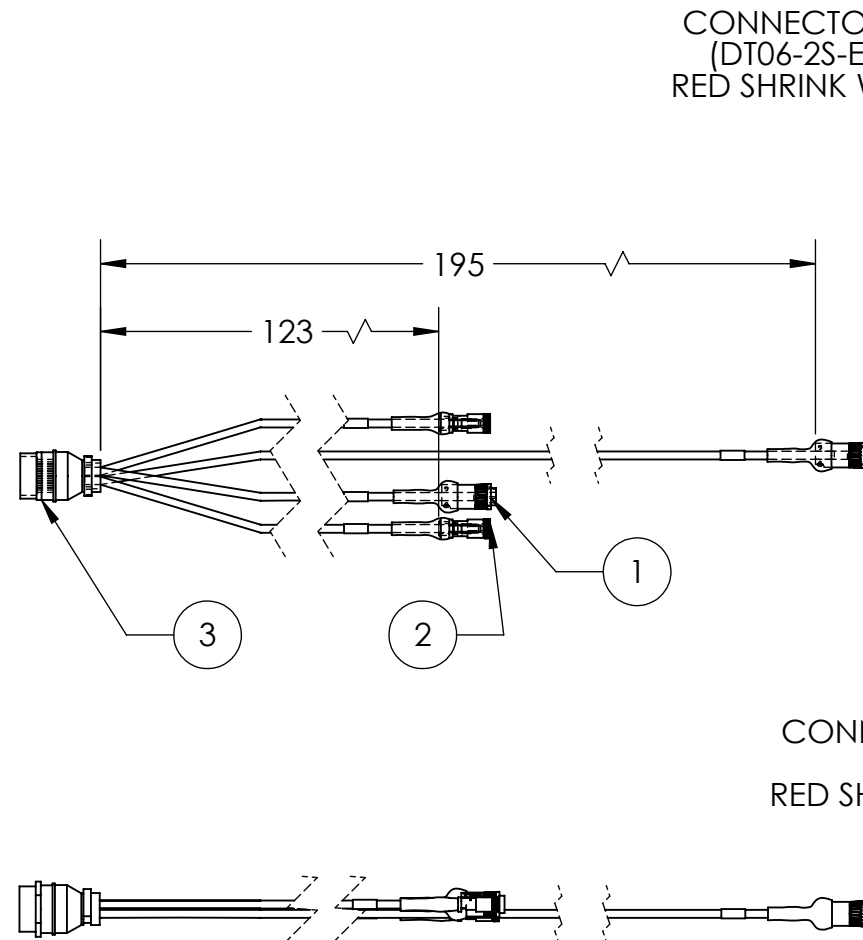
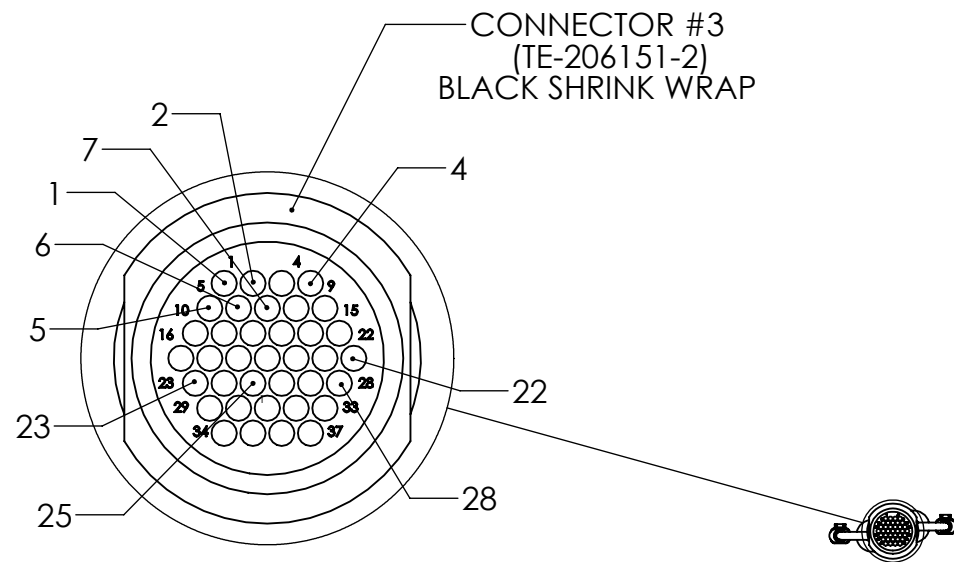


REVISIONS			
REV.	DESCRIPTION	DATE	APPROVAL
A	RELEASED FOR PRODUCTION	9/16/2016	IJM
B	CHANGE PINOUT AND DESCRIPTION	2/13/2018	IJM

#3 BLACK	4	PWM Common (-) Tank #1	2	#1 RED
	5	PWM Power (+) Tank #1	1	
	28	Encoder Signal Tank #1	3	#2 RED
	2	Encoder Common (-) Tank #1	2	
	22	Encoder Power (+) Tank #1	1	#5 GRAY
	7	PWM Common (-) Tank #2	2	
	6	PWM Power (+) Tank #2	1	#4 GRAY
	23	Encoder Signal Tank #2	3	
	1	Encoder Common (-) Tank #2	2	#4 GRAY
	25	Encoder Power (+) Tank #2	1	



ITEM NO.	QTY.	PART NUMBER	DESCRIPTION
1	2	3180-3SG-315	3 Pin Molex Connector
2	2	DT06-2S-E008	Connector - Deutsch 2-Pin Plug
3	1	TE-206151-2	TE Connectivity - 37 pos. Circular Plastic M Connector

NOTE: BLACK HEAT SHRINK ON ALL CONNECTORS, OVERLAP OUTER SHEATH OF CABLE BY AT LEAST 3/4". PLACE 3/4" LONG COLORED HEAT SHRINK BAND 1" FROM PREVIOUS HEATSHRINK. USE GOLD PLATING ON ALL SOCKETS & PINS. LABEL W/ PART#, REV., AND DESCRIPTION.

		MONTAG MFG 3816 461st AVE, Emmetsburg, IA 50536		P: 712-852-4572 F: 712-852-4574 www.montagmfg.com	
		DO NOT SCALE DRAWING UNLESS OTHERWISE SPECIFIED: DIMENSIONS ARE IN INCHES		CONFIDENTIAL: This drawing and design is proprietary and confidential to Montag Manufacturing, Inc.	
TOLERANCES ARE AS FOLLOWS: FRACTIONAL ± 1/32 ANGULAR: ± 1 TWO PLACE DECIMAL ±.03 THREE PLACE DECIMAL ±.003		NAME DATE		DRAWN SEC 09/14/16	
MATERIAL N/A		APPROVED SEC 03/15/18		COMMENTS: 18 GA. GXL WIRE	
FINISH N/A		SIZE B		PART. NO. P002372	
		REV B-01		SCALE: 1:6 WEIGHT: 9.07 SHEET 1 OF 1	