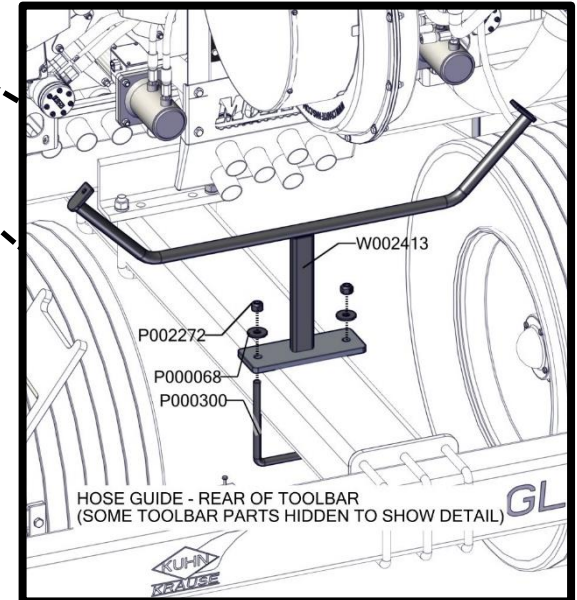
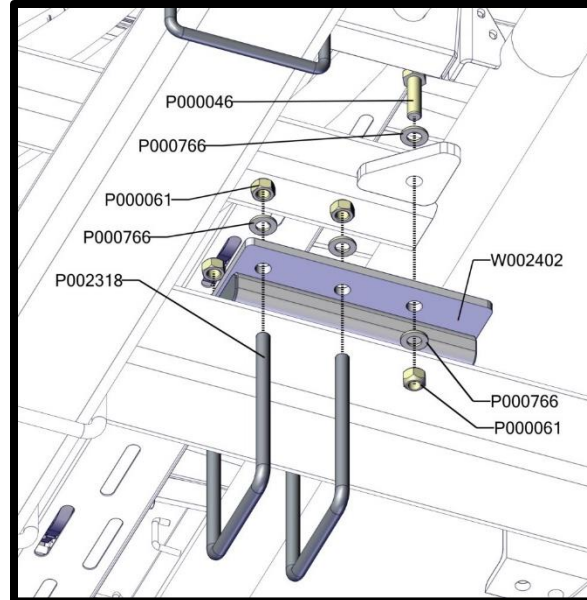
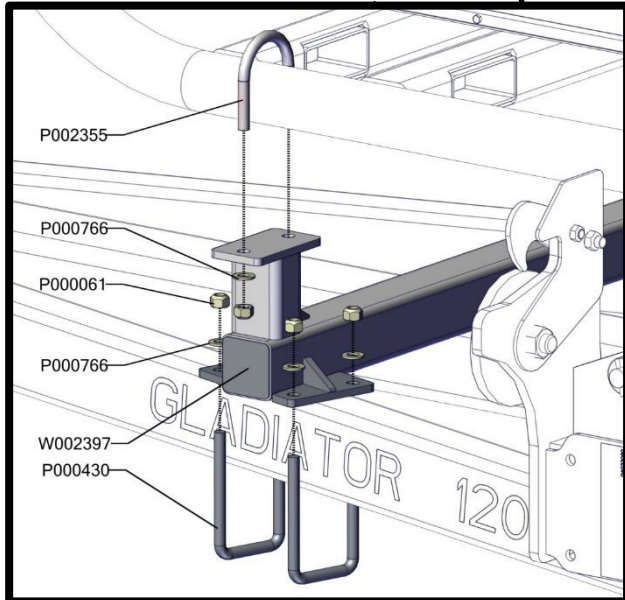
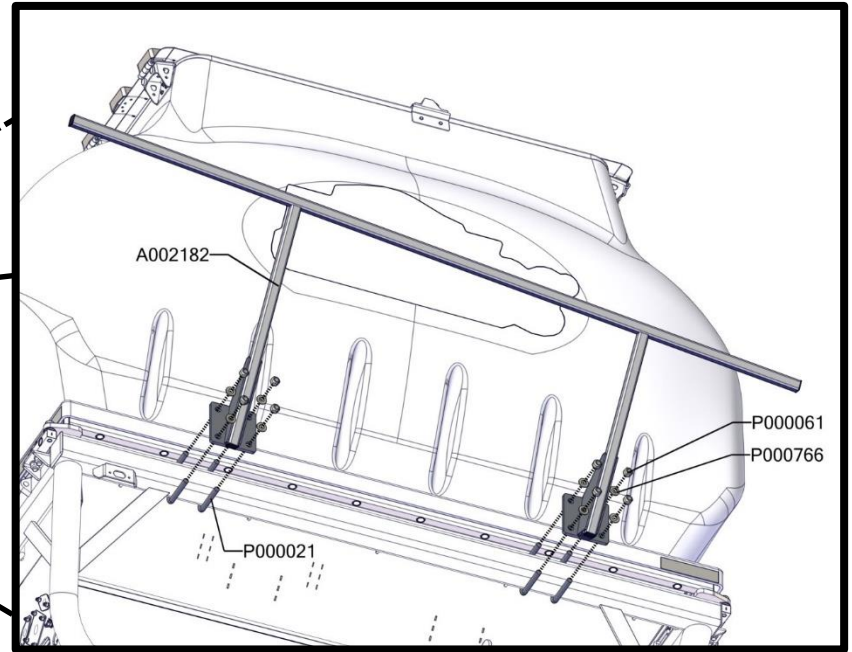
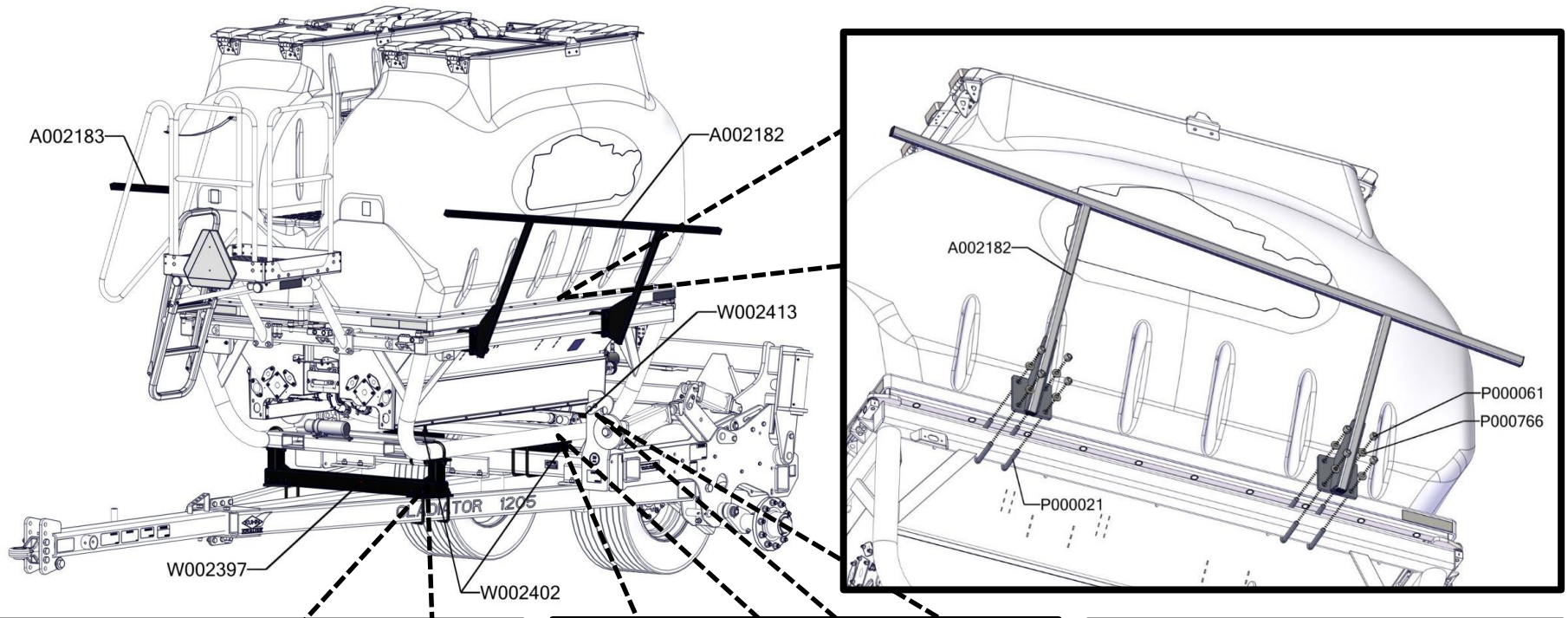
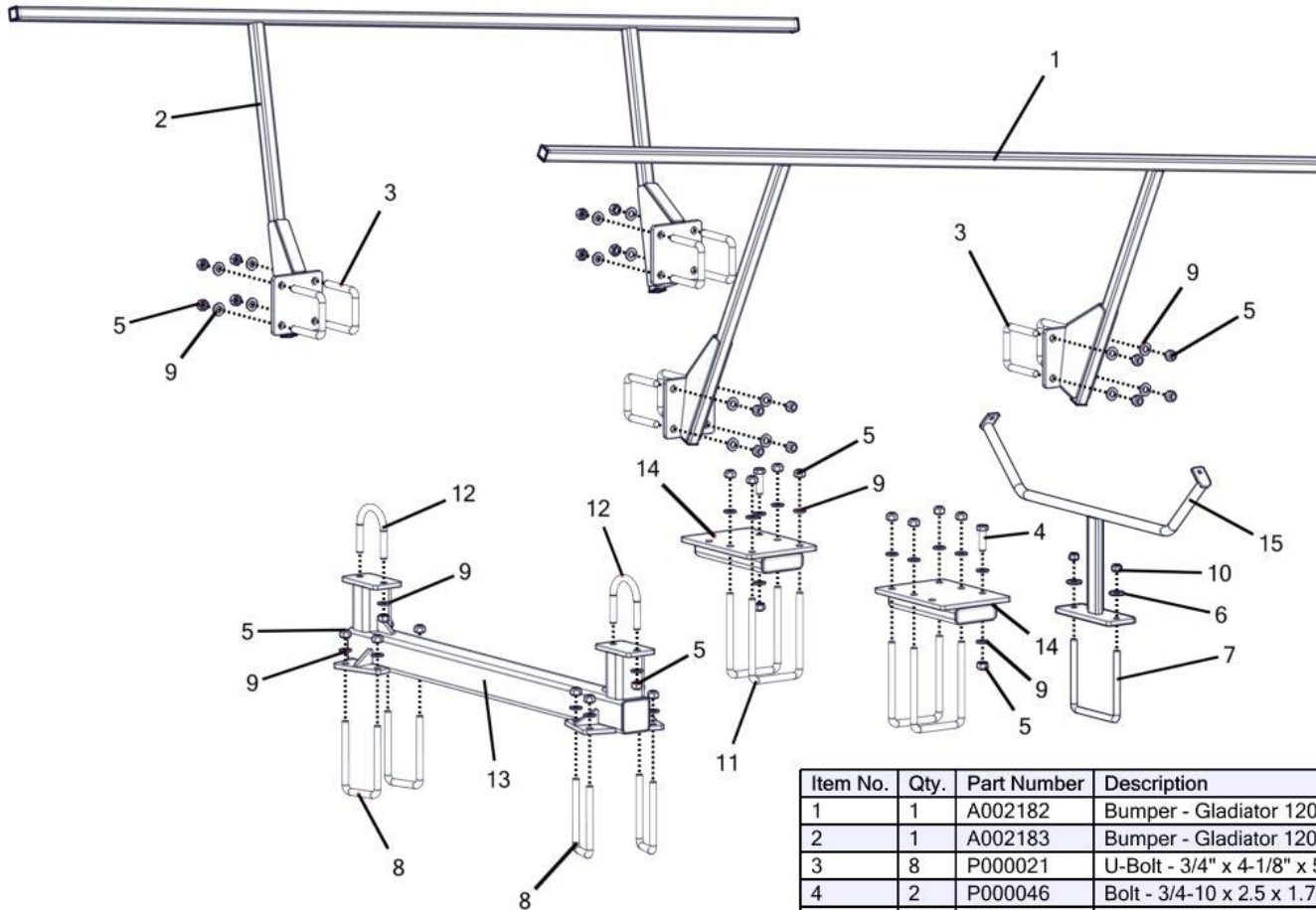


# Gladiator 1205 Gen II Mounting Instructions

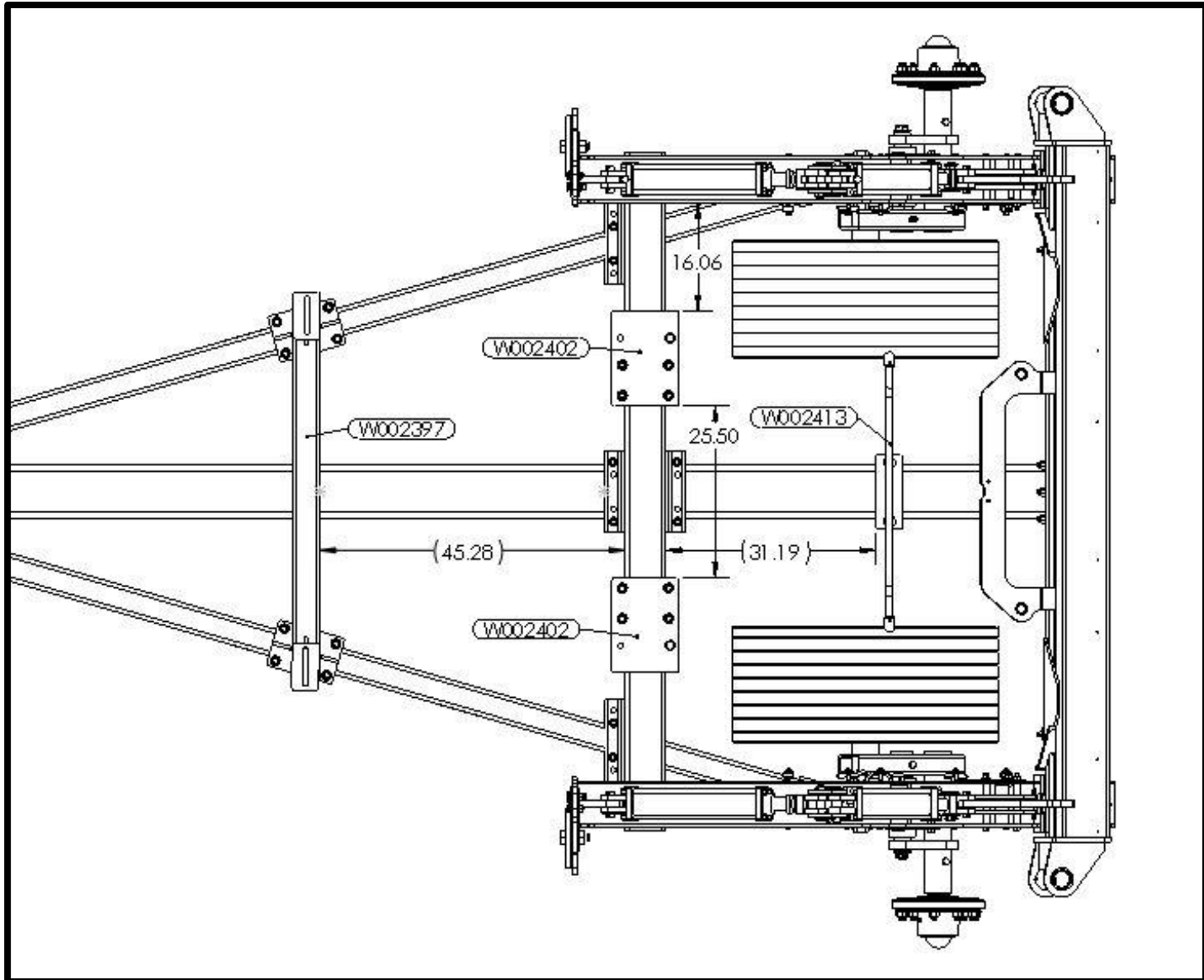


# Components of A002176 – Kit – Gladiator 1205 Mount Gen II

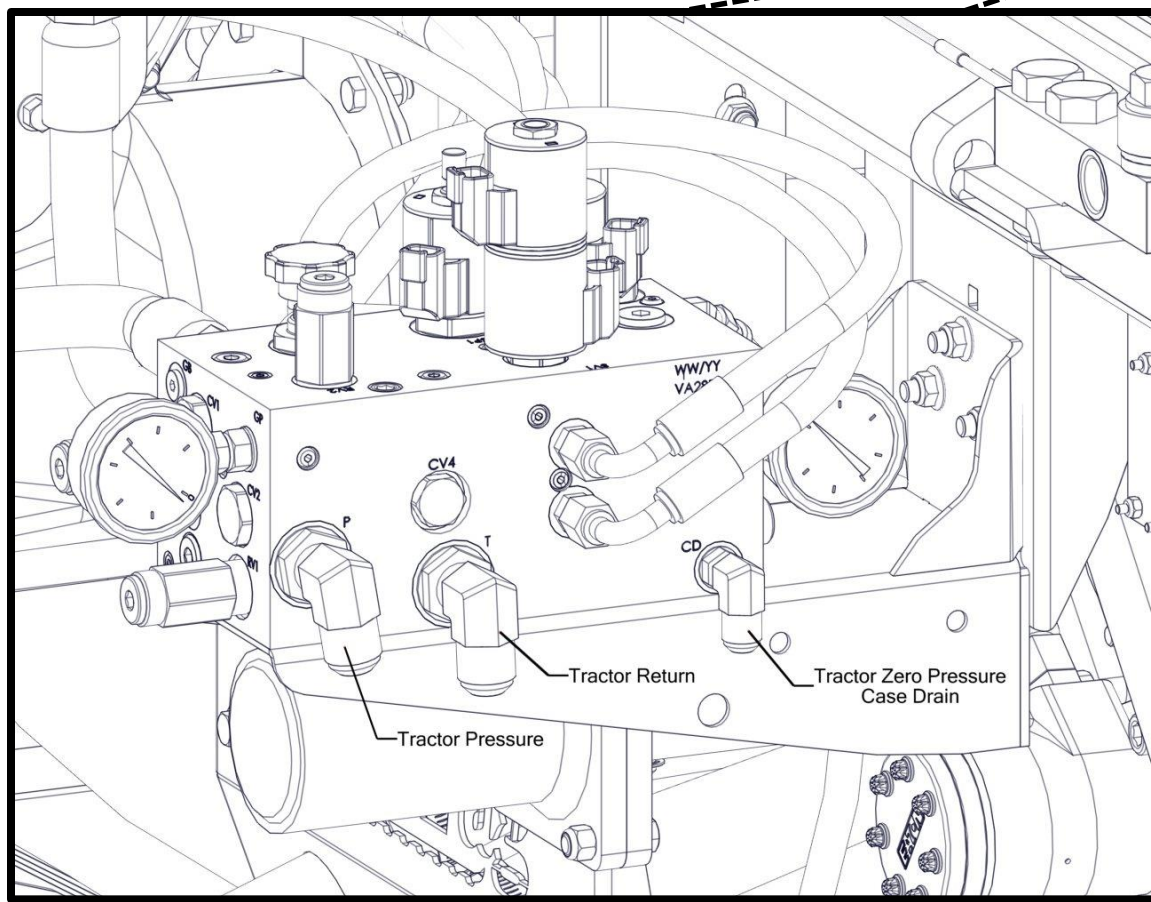
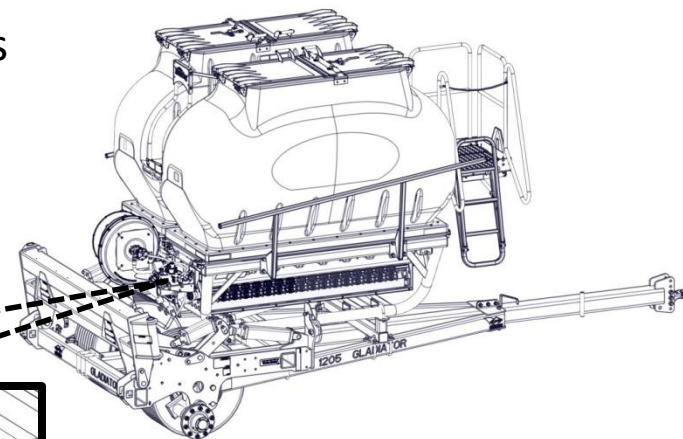


Item No.	Qty.	Part Number	Description
1	1	A002182	Bumper - Gladiator 1205 Gen II (Left)
2	1	A002183	Bumper - Gladiator 1205 Gen II (Right)
3	8	P000021	U-Bolt - 3/4" x 4-1/8" x 5-1/2"
4	2	P000046	Bolt - 3/4-10 x 2.5 x 1.75 Hex (GR 5 M/S FA)
5	38	P000061	Nut - 3/4-10 Hex Metal Lock (GR 5 M/S FA)
6	2	P000068	Washer - 5/8" USS Flat (1.75" OD) (GR 5 M/S FA)
7	1	P000300	U-Bolt - 5/8" x 8-1/8" x 8"
8	4	P000430	U-Bolt - 3/4" x 4-1/8" x 8"
9	38	P000766	Washer - 3/4" SAE Flat (1.469" OD) (GR 5 M/S FA)
10	2	P002272	Nut - 5/8-11 Hex Metal Lock (GR 5 M/S FA)
11	4	P002318	U-Bolt - 3/4" x 6-1/8" x 9-1/2"
12	2	P002355	U-Bolt - 3/4" x 4-1/8" x 5-3/8"
13	1	W002397	Mount - Front Gladiator 1205 Gen II
14	2	W002402	Mount - Rear Gladiator 1205 Gen II
15	1	W002413	Guide - Gladiator 1205 Gen II

# Dimensions For Mounting Brackets



# Gladiator 1205 Gen II Hydraulic Installation Instructions



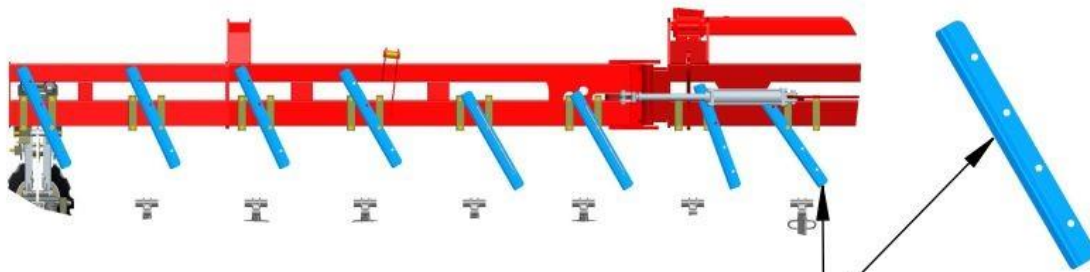
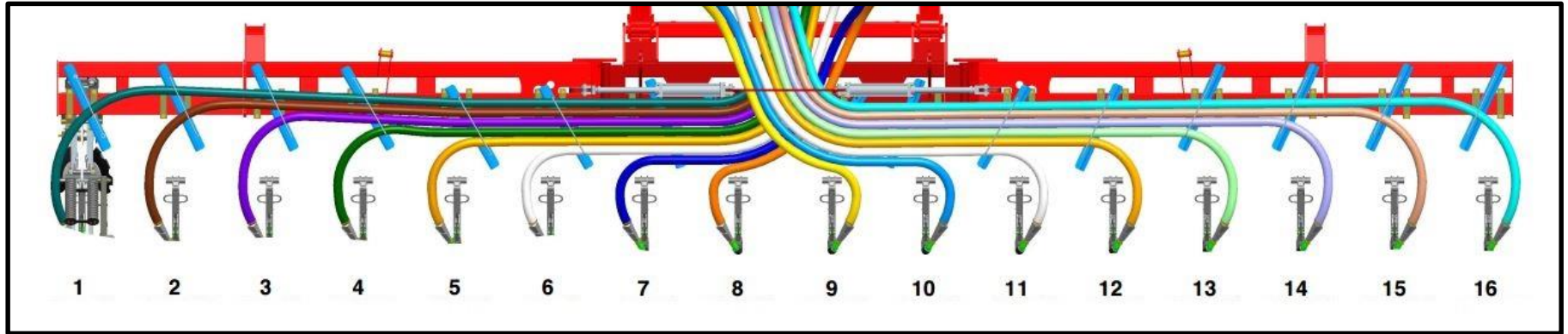
Install hoses in A000177 from tractor to corresponding ports shown.

$\frac{3}{4}$ " hoses are for pressure and return.

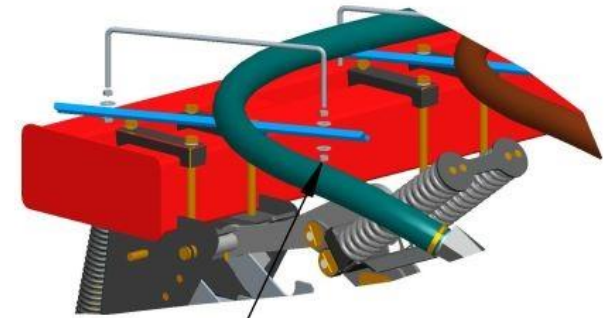
$\frac{1}{2}$ " hose is for the zero pressure case drain.

\*Refer to manual for routing product distribution hoses.

# Montag / Gladiator Row Unit Assembly Instructions

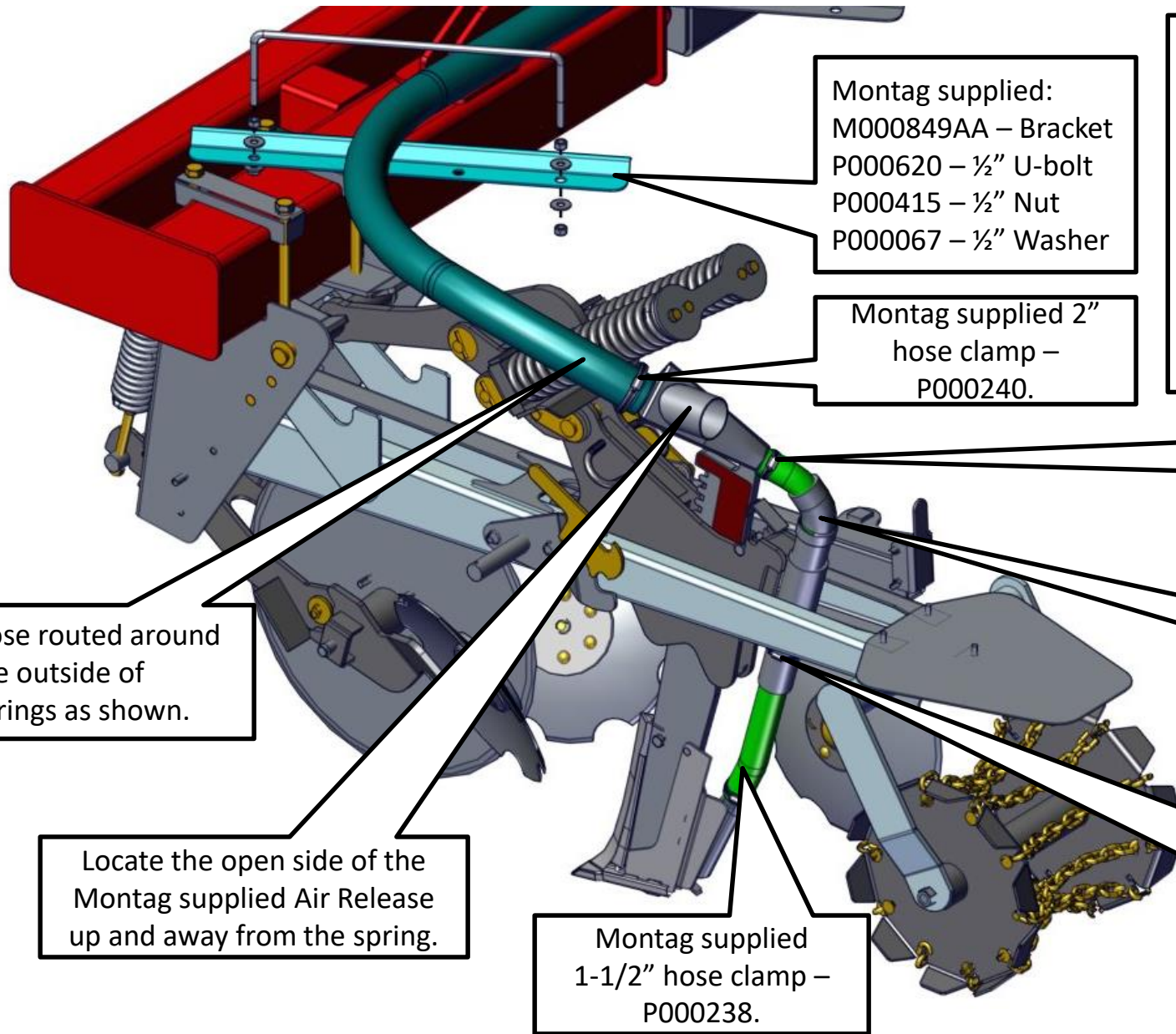


Assemble hose support straps to the cast clamp bolts so that the hoses can move forward when tripping over a rock. The center hose supports need to be extended farther back than the wings.



Use qty (4) 1/2" nuts and flat washers to mount U-bolts

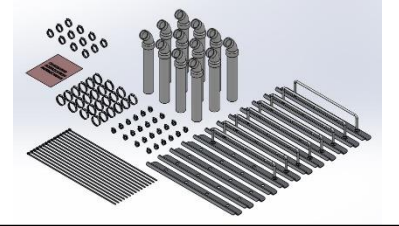
# Montag / Gladiator Row Unit Assembly Instructions



Montag supplied:  
M000849AA – Bracket  
P000620 – ½” U-bolt  
P000415 – ½” Nut  
P000067 – ½” Washer

Montag supplied 2”  
hose clamp –  
P000240.

- 6 Row Mount Kit – A002420
- 8 Row Mount Kit – A002421
- 12 Row Mount Kit – A002422
- 16 Row Mount Kit – A002423
- 24 Row Mount Kit – A002424



Montag supplied  
1-1/2” hose clamp –  
P000238.

Montag supplied hose  
guide – M000848.

Montag supplied 2”  
hose clamp – P000240  
– positioned to restrict  
movement of the hose  
guide.

Hose routed around  
the outside of  
springs as shown.

Locate the open side of the  
Montag supplied Air Release  
up and away from the spring.

Montag supplied  
1-1/2” hose clamp –  
P000238.

# Montag / J. Assy / Gladiator Blockage Sensor Assembly Instructions

If needed, remove 4" from the end of this hose.

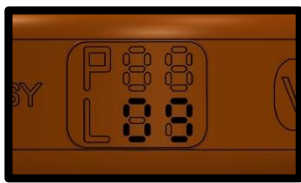
Install couplers as shown. It is important to keep couplers in line with air release and hose as shown. Refer to J. Assy install guide for setup and programming of monitor and sensors.

Clamp coupler over air release.

P002308 Blockage Sensor.

Clamp coupler over 1-1/2" hose.

You will want to have the "digital" section of the sensor orientated for easy access when programming. This area is used to label the row number that this sensor is attached to.



## Sensor Kits

- 6 Row – K002053
- 8 Row – K002031
- 12 Row – K002032
- 16 Row – K002033
- 18 Row – K002034
- 24 Row – K002035

