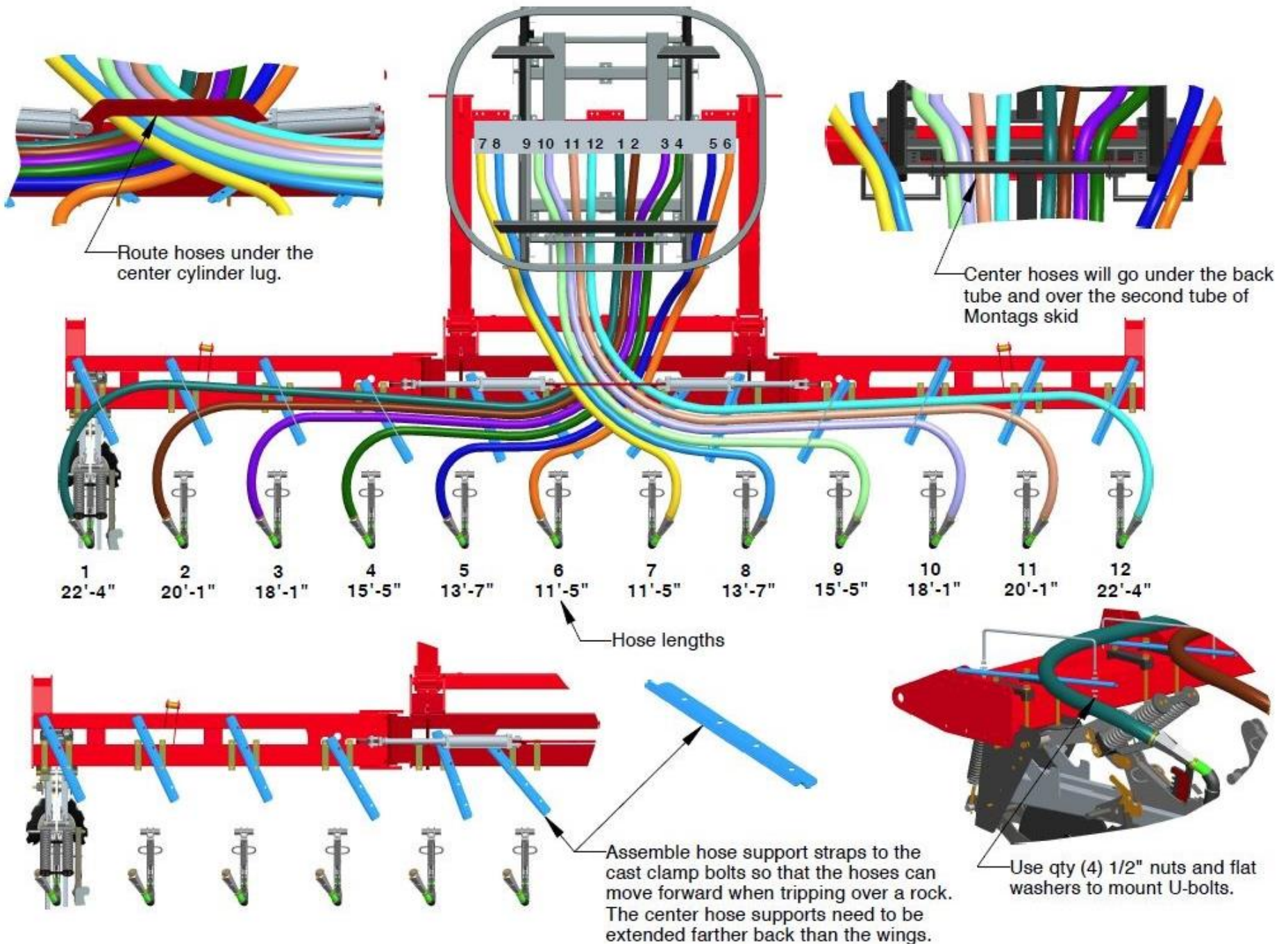
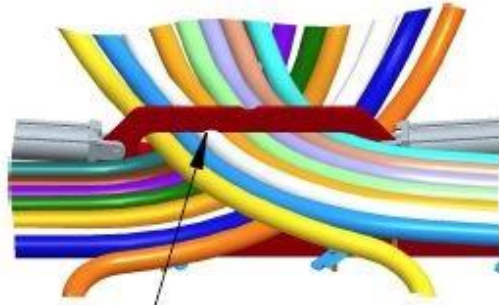


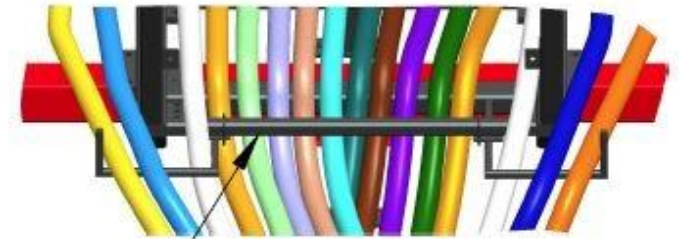
# 12- Row Gladiator Hose Routing For 6 Ton Montag Dry Fertilizer Skid



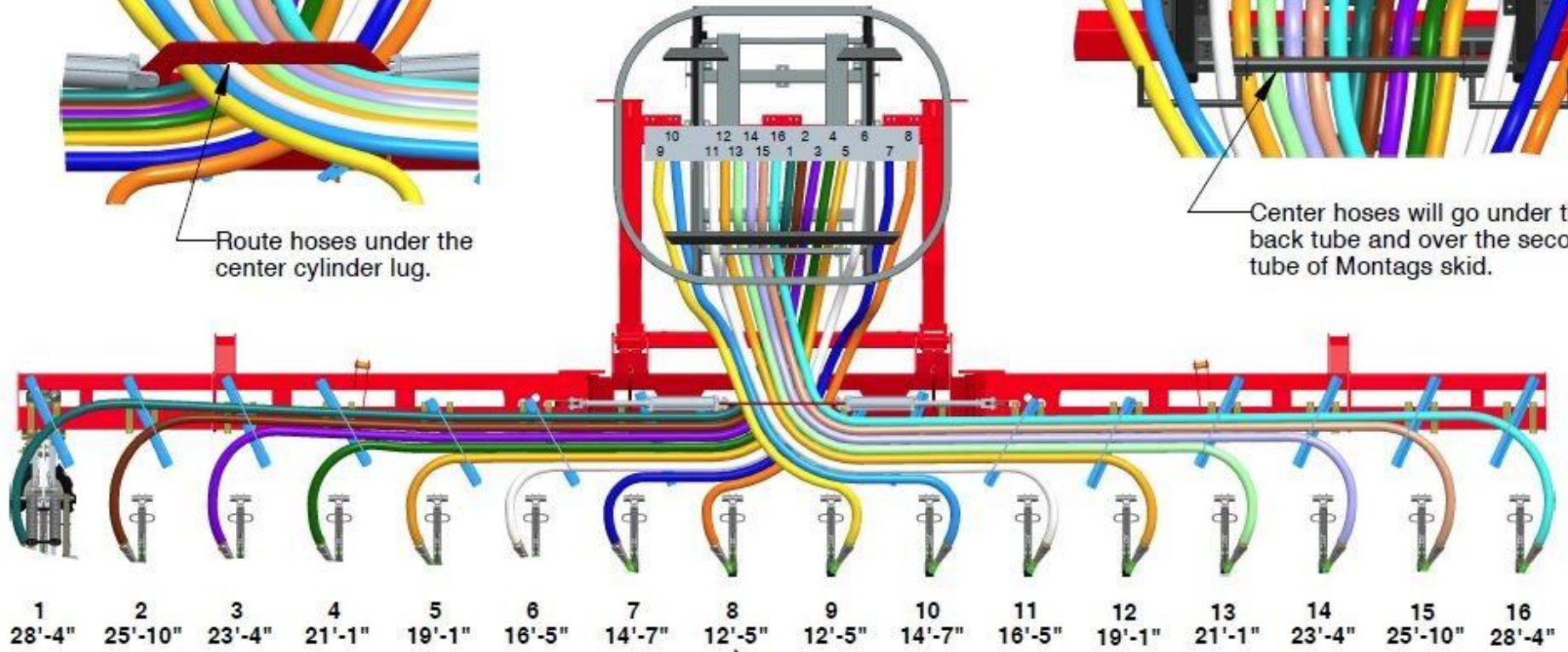
# 16- Row Gladiator Hose Routing For 6 Ton Montag Dry Fertilizer Skid



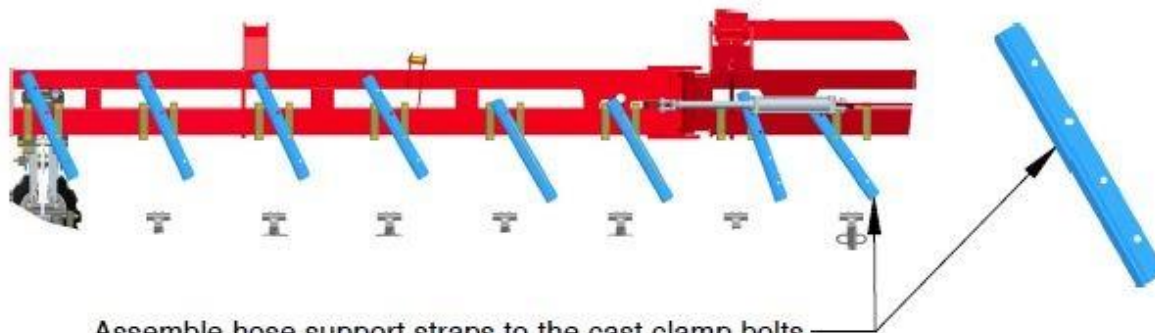
Route hoses under the center cylinder lug.



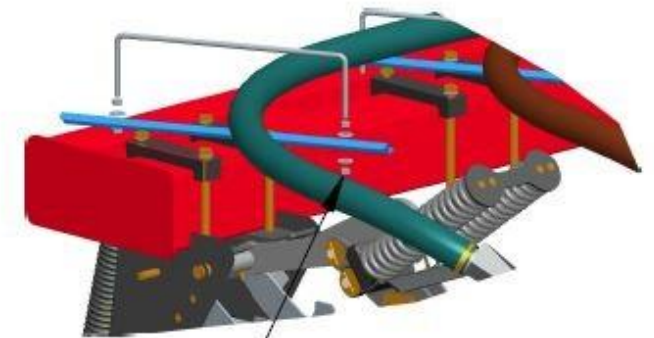
Center hoses will go under the back tube and over the second tube of Montag's skid.



Hose lengths

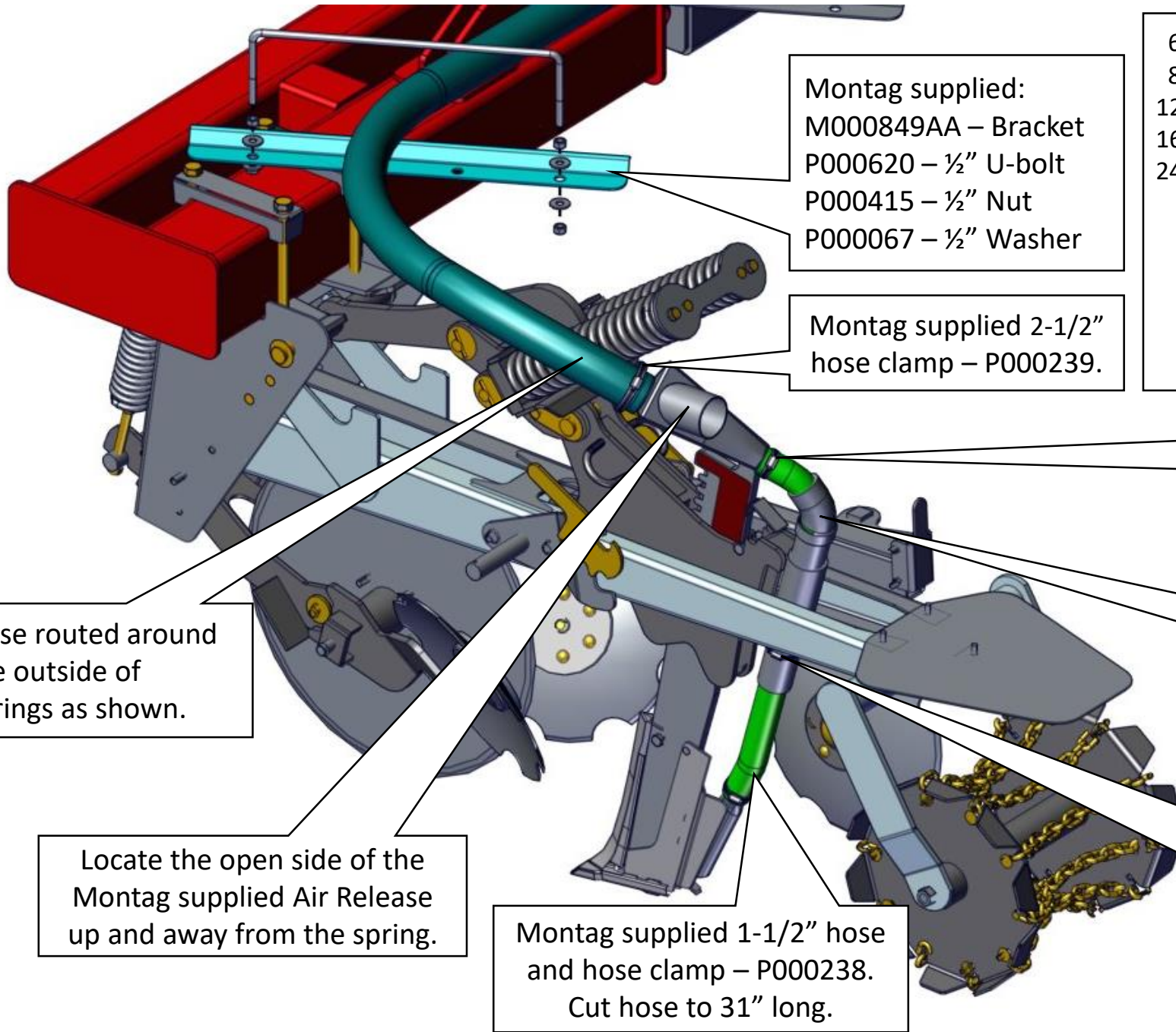


Assemble hose support straps to the cast clamp bolts so that the hoses can move forward when tripping over a rock. The center hose supports need to be extended farther back than the wings.



Use qty (4) 1/2" nuts and flat washers to mount U-bolts

# MonTag / Gladiator Row Unit Assembly Instructions



Montag supplied:  
 M000849AA – Bracket  
 P000620 – ½" U-bolt  
 P000415 – ½" Nut  
 P000067 – ½" Washer

Montag supplied 2-1/2" hose clamp – P000239.

6 Row Mount Kit – A000180AA  
 8 Row Mount Kit – A000181AA  
 12 Row Mount Kit – A000182AA  
 16 Row Mount Kit – A000183AA  
 24 Row Mount Kit – A000184AA

Montag supplied 1-1/2" hose clamp – P000238.

Montag supplied hose guide – M000848.

Montag supplied 2" hose clamp – P000240 – positioned to restrict movement of the hose guide.

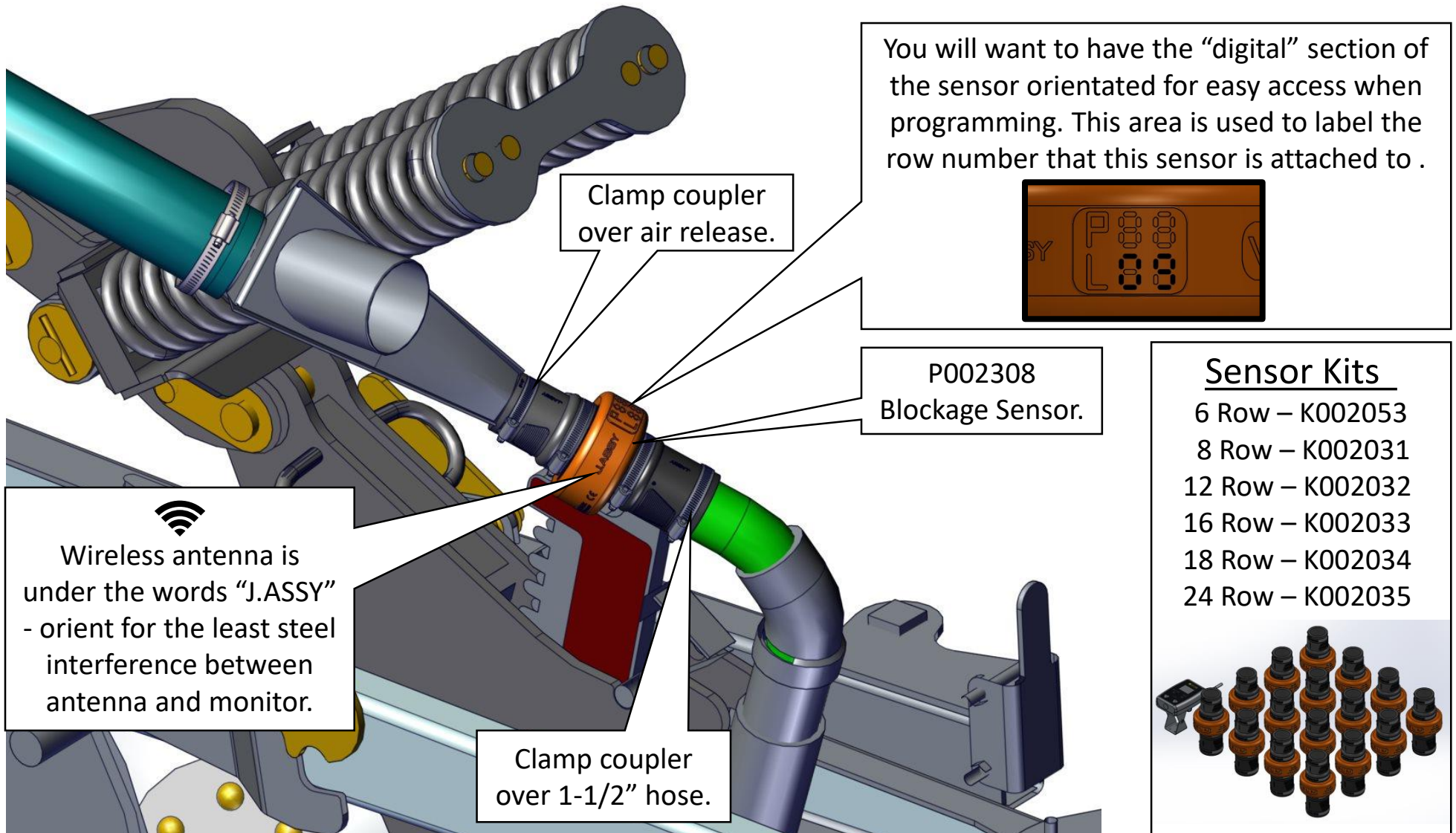
Hose routed around the outside of springs as shown.

Locate the open side of the Montag supplied Air Release up and away from the spring.

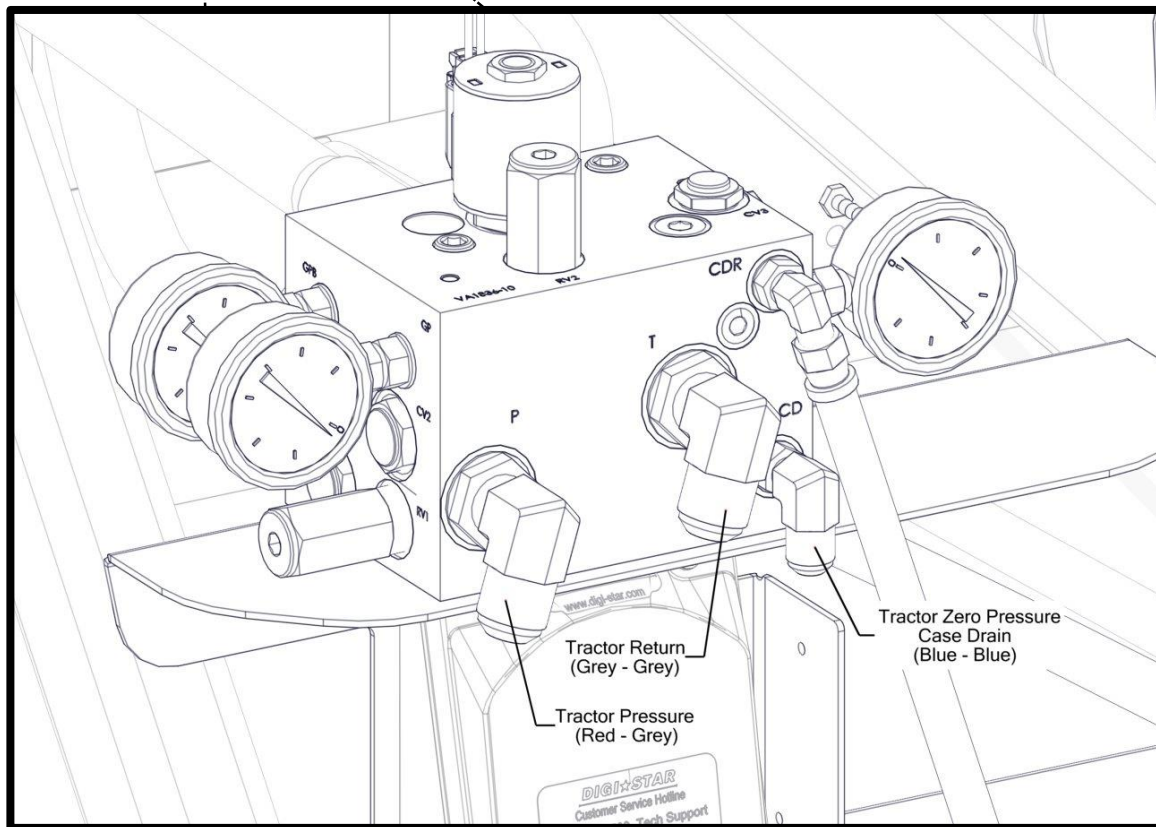
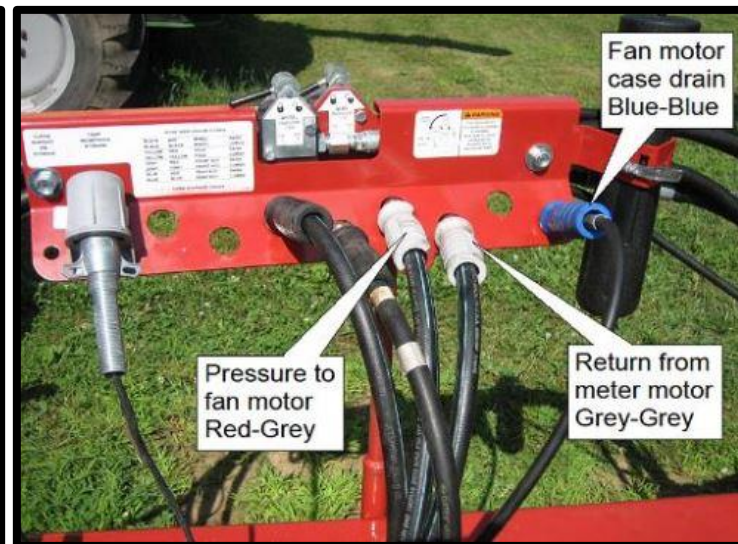
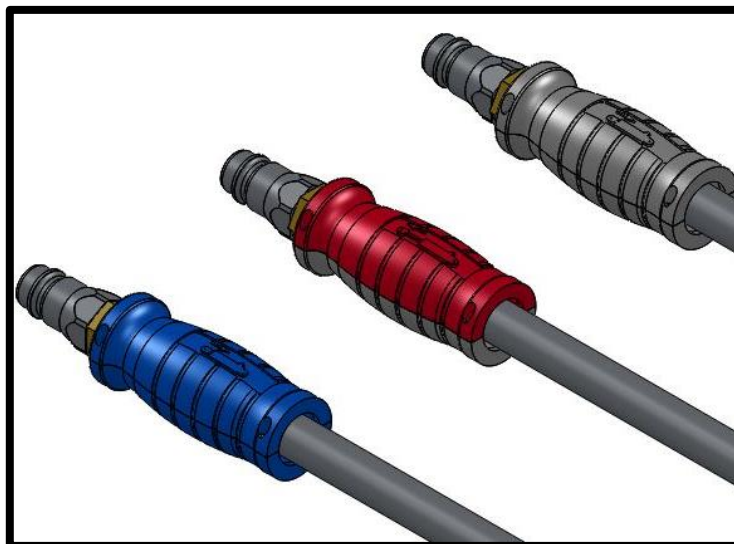
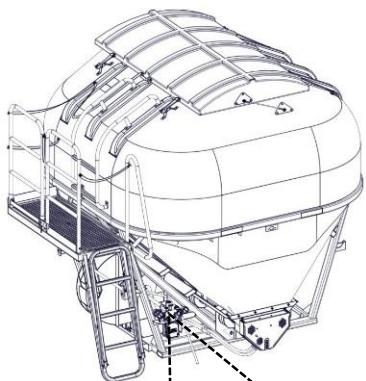
Montag supplied 1-1/2" hose and hose clamp – P000238.  
 Cut hose to 31" long.

# MonTag / J. Assy / Gladiator Blockage Sensor Assembly Instructions

Install couplers as shown. It is important to keep couplers in line with air release and hose as shown. Refer to J. Assy install guide for setup and programming of monitor and sensors.



# HYDRAULIC COMPONENTS FOR MONTAG GEN I DRY SKID\*



Install hoses in A000109/A000177 from tractor to corresponding ports shown:

Hookup case drain alarm to 12VDC power.

A000109:  
8-12 Row – ½” Lines  
(See Hydragrip color coordination).

A000177:  
16 Row - ¾” hoses are for pressure and return.  
½” hose is for the zero-pressure case drain.

\* Hookup locations for a single section machine.

## Mounting For 6 Ton Montag Dry Fertilizer Skid

Make sure the long side of the Cart Sub Frame is facing the rear of the Gladiator. Mount the Tank Skid so that the ends are flush with the ends of the Cart Sub Frame. Use the 5/8 NC x 4 U-bolts or weigh bars provided by Montag to clamp Tank Skid to Cart Sub Frame.

