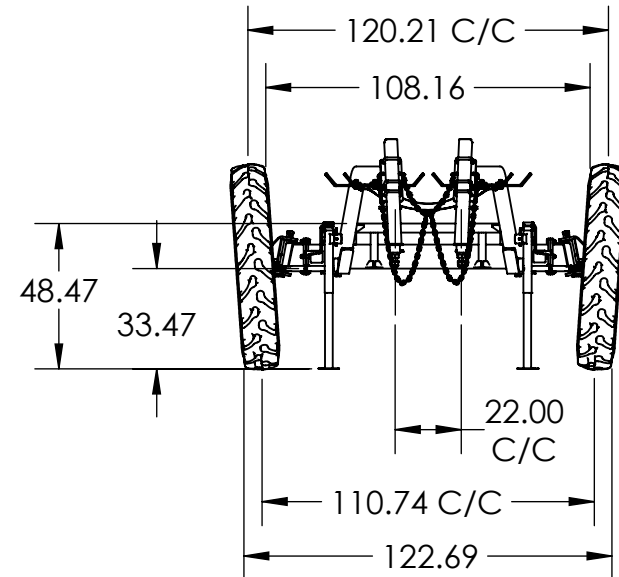


**OPTIONS AS SHOWN**

OPTION	PART #	DESCRIPTION
Tires	A000175/ A000304	Tire Assembly - 320/90 R46" 10 Bolt Small
Adj. Axle	N/A	N/A (Req. P000350)
Coupler Style	A000034	Hitch - Adj. (Req. A000017)

**NOTE: ALL TIRE DIMENSIONS ARE APPROXIMATE**



**MONTAG MFG**

3816 461st AVE,  
Emmetsburg, IA 50536

P: 712-852-4572  
F: 712-852-4574  
www.montagmfg.com

DO NOT SCALE DRAWING  
UNLESS OTHERWISE SPECIFIED:  
DIMENSIONS ARE IN INCHES

TOLERANCES ARE AS FOLLOWS:  
FRACTIONAL ± 1/32  
ANGULAR: ± 1  
TWO PLACE DECIMAL ±.03  
THREE PLACE DECIMAL ±.003

MATERIAL N/A

FINISH N/A

**CONFIDENTIAL:**  
This drawing and design is proprietary  
and confidential to Montag  
Manufacturing, Inc.

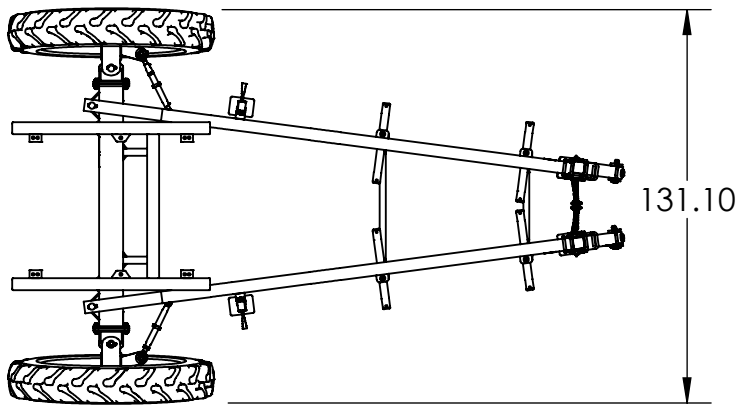
	NAME	DATE
DRAWN	SEC	10/20/21
APPROVED	SEC	06/06/22

COMMENTS:

TITLE:  
**Auto-Steer Cart - 6Ton  
Metric Adjustable Axle  
(110")**

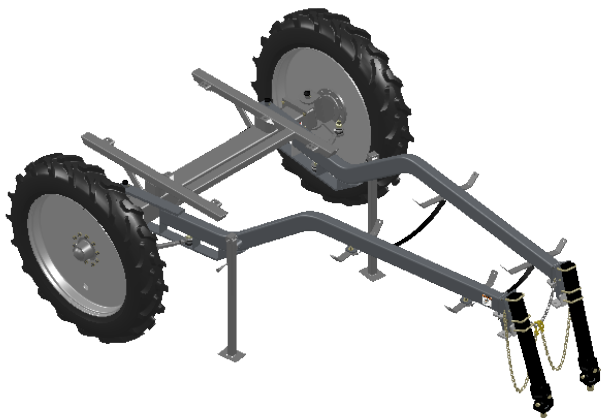
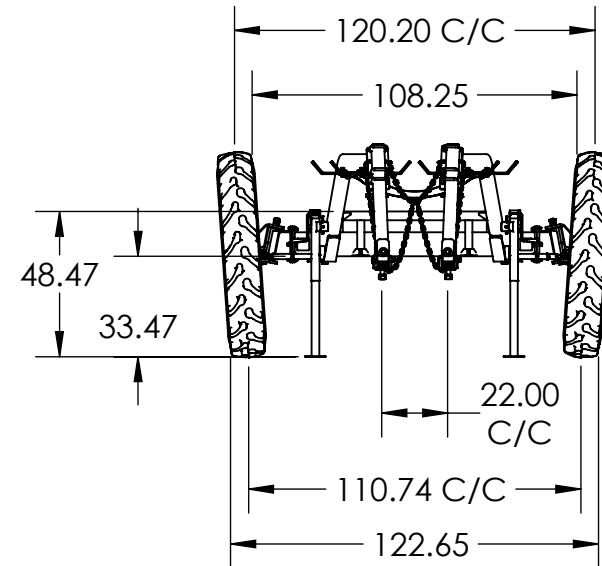
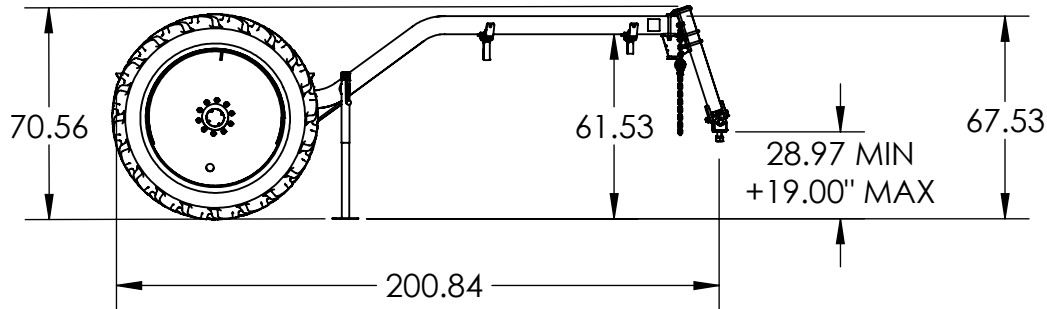
SIZE	PART. NO.	REV
<b>A</b>	<b>C06M 2022</b>	<b>A-01</b>


SCALE: 1:64 | WEIGHT: 3413.05 | SHEET 3 OF 7



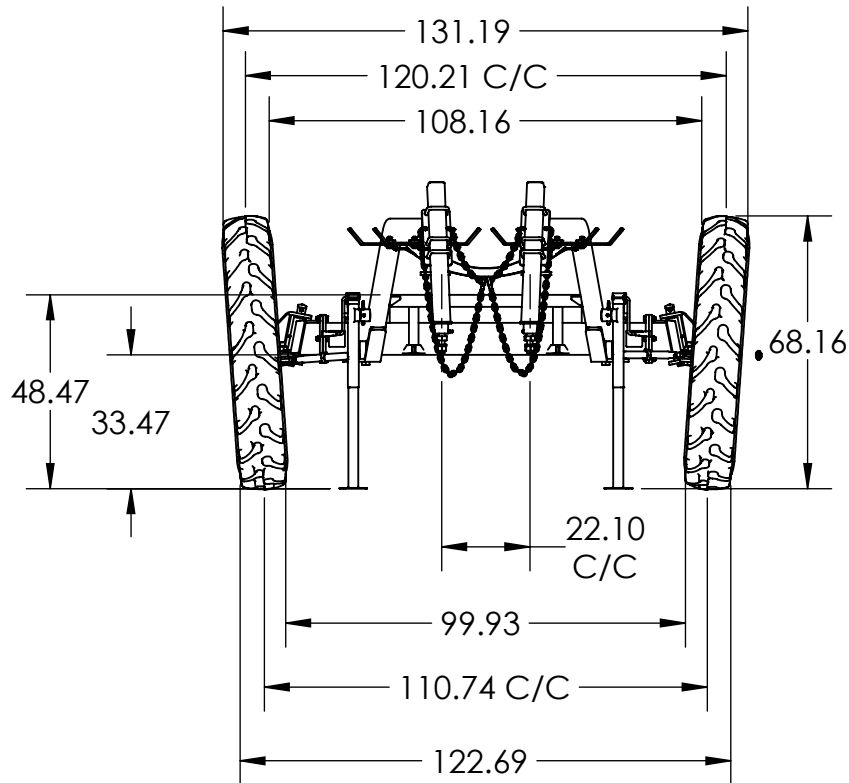
OPTIONS AS SHOWN		
OPTION	PART #	DESCRIPTION
Tires	A000175/ A000304	Tire Assembly - 320/90 R46" 10 Bolt Small
Adj. Axle	N/A	N/A (Req. P-0350)
Coupler Style	A000020	Hitch - Knuckle Assembly (Req. W000237)

**NOTE: ALL TIRE DIMENSIONS ARE APPROXIMATE**



		<b>MONTAG MFG</b> 3816 461st AVE, Emmetsburg, IA 50536		P: 712-852-4572 F: 712-852-4574 <a href="http://www.montagmfg.com">www.montagmfg.com</a>	
		DO NOT SCALE DRAWING UNLESS OTHERWISE SPECIFIED: DIMENSIONS ARE IN INCHES  TOLERANCES ARE AS FOLLOWS: FRACTIONAL ± 1/32 ANGULAR: ± 1 TWO PLACE DECIMAL ±.03 THREE PLACE DECIMAL ±.003		<b>CONFIDENTIAL:</b> This drawing and design is proprietary and confidential to Montag Manufacturing, Inc.	
MATERIAL N/A		DRAWN SEC 10/20/21		NAME DATE 06/06/22	
FINISH N/A		APPROVED SEC		COMMENTS:	
		SIZE <b>A C06M 2022</b>		PART. NO. <b>A-01</b>	
		SCALE: 1:64		WEIGHT: 3413.05	
		SHEET 4 OF 7			

**C06MG  
A000175/A000304  
320/90 R46"**



**NOTE: ALL TIRE DIMENSIONS ARE APPROXIMATE**



**MONTAG MFG**  
3816 461st AVE,  
Emmetsburg, IA 50536

P: 712-852-4572  
F: 712-852-4574  
www.montagmfg.com

DO NOT SCALE DRAWING  
UNLESS OTHERWISE SPECIFIED:  
DIMENSIONS ARE IN INCHES

TOLERANCES ARE AS FOLLOWS:  
FRACTIONAL  $\pm 1/32$   
ANGULAR:  $\pm 1$   
TWO PLACE DECIMAL  $\pm .03$   
THREE PLACE DECIMAL  $\pm .003$

MATERIAL  
N/A

FINISH  
N/A

**CONFIDENTIAL:**  
This drawing and design is proprietary  
and confidential to Montag  
Manufacturing, Inc.

	NAME	DATE
DRAWN	SEC	10/20/21
APPROVED	SEC	06/06/22

COMMENTS:

TITLE:

**Auto-Steer Cart - 6Ton  
Metric Adjustable Axle  
(110")**

SIZE	PART. NO.	REV
<b>A</b>	<b>C06M 2022</b>	<b>A-01</b>

SCALE: 1:48 | WEIGHT: 3413.05 | SHEET 5 OF 7