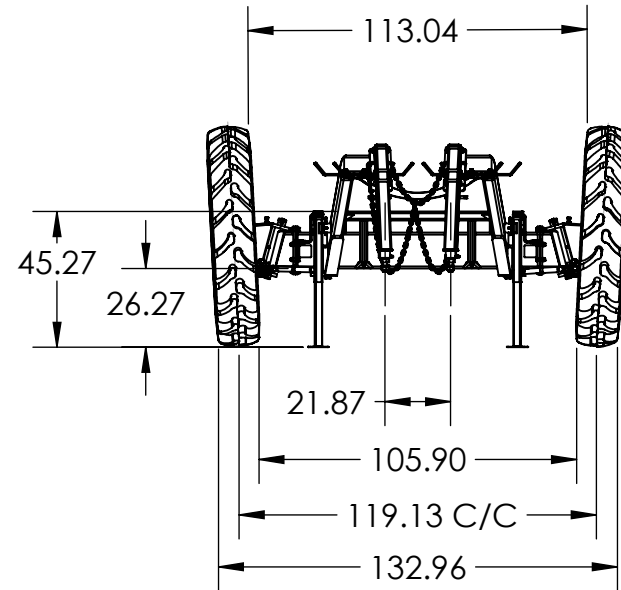
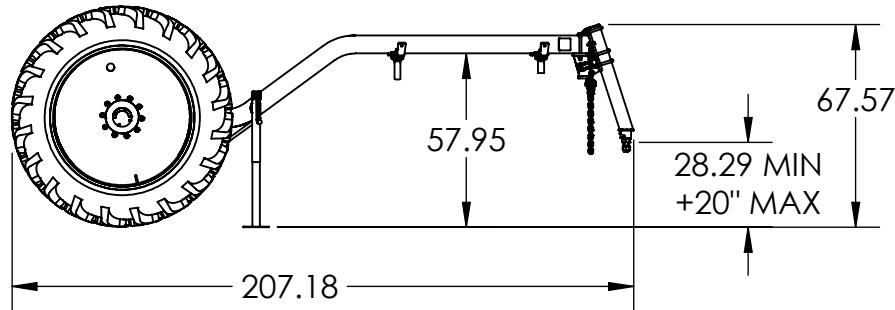

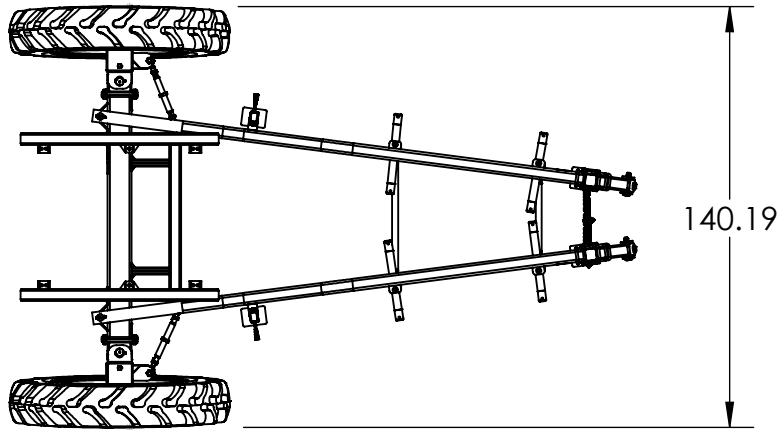


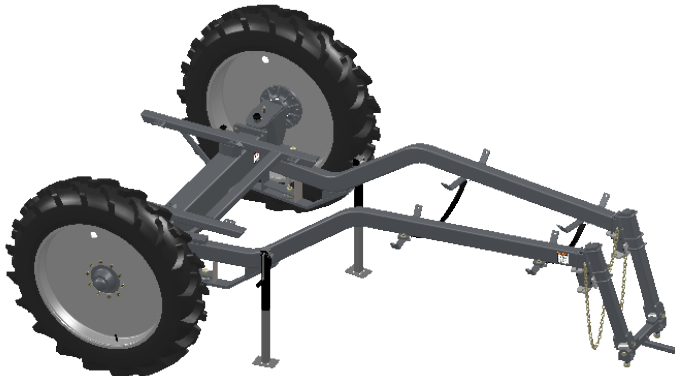
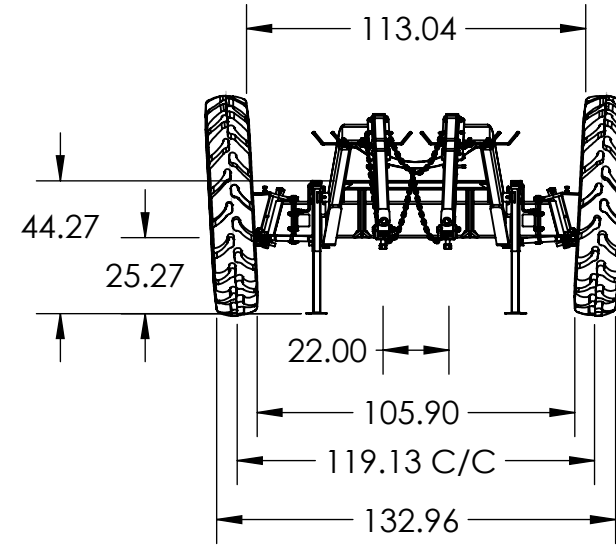
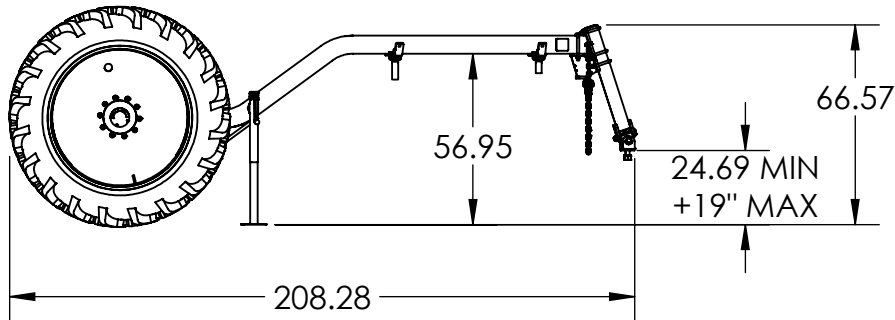
OPTIONS AS SHOWN		
OPTION	PART #	DESCRIPTION
Tires	A000003 A000291	Tire Assembly- 380/90 R46" 10 Bolt Large
Adj. Axle	N/A	N/A (Req. P000350)
Coupler Style	A000034	Hitch - Adj. (Req. A000017)
Spindles	A002624 A002625	Spindle Assembly - 12Ton (380/90R46 10 Bolt)




		MONTAG MFG 3816 461st AVE, Emmetsburg, IA 50536		P: 712-852-4572 F: 712-852-4574 www.montagmfg.com	
		DO NOT SCALE DRAWING UNLESS OTHERWISE SPECIFIED: DIMENSIONS ARE IN INCHES TOLERANCES ARE AS FOLLOWS: FRACTIONAL ± 1/32 ANGULAR: ± 1 TWO PLACE DECIMAL ±.03 THREE PLACE DECIMAL ±.003		CONFIDENTIAL: This drawing and design is proprietary and confidential to Montag Manufacturing, Inc.	
MATERIAL N/A		DRAWN SEC 10/20/21		NAME DATE	
FINISH N/A		APPROVED SEC 06/06/22		COMMENTS:	
		SIZE A		PART. NO. C12B 2022	
		SCALE: 1:64		WEIGHT:	
		REV A-01		SHEET 4 OF 9	



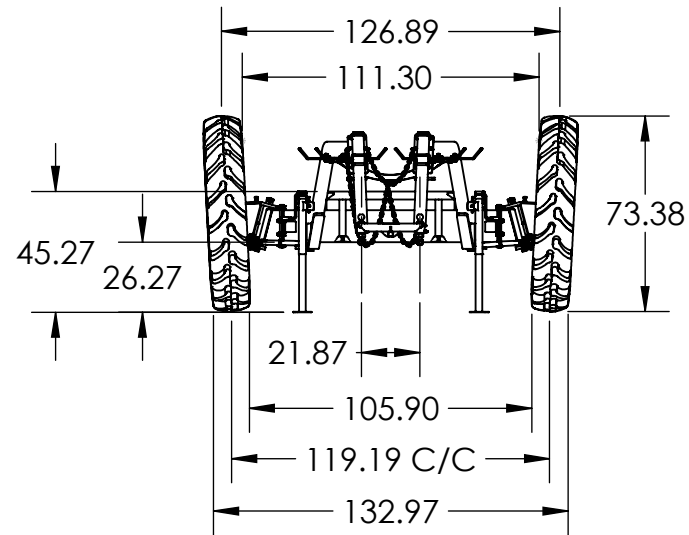
OPTIONS AS SHOWN		
OPTION	PART #	DESCRIPTION
Tires	A000003 A000291	Tire Assembly- 380/90 R46" 10 Bolt Large
Adj. Axle	N/A	N/A (Req. P000350)
Coupler Style	A000020	Hitch - Knuckle Assembly (Req. W000237)
Spindles	A002624 A002625	Spindle Assembly - 12Ton (380/90R46 10 Bolt)



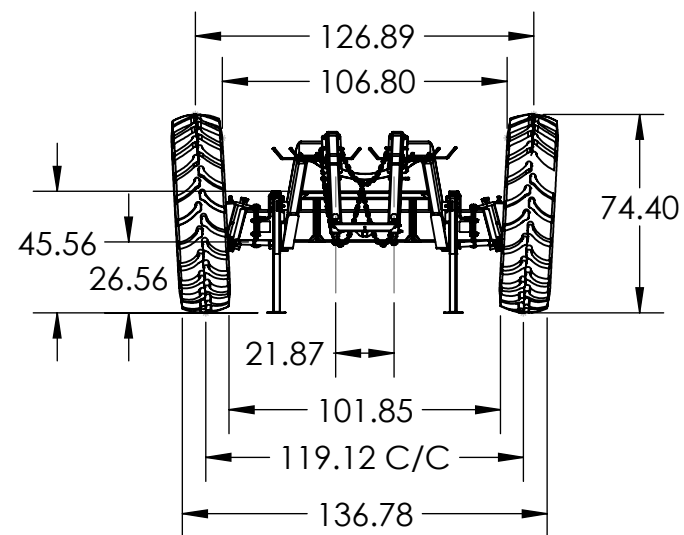
		MONTAG MFG 3816 461st AVE, Emmetsburg, IA 50536		P: 712-852-4572 F: 712-852-4574 www.montagmfg.com	
		DO NOT SCALE DRAWING UNLESS OTHERWISE SPECIFIED: DIMENSIONS ARE IN INCHES TOLERANCES ARE AS FOLLOWS: FRACTIONAL ± 1/32 ANGULAR: ± 1° TWO PLACE DECIMAL ±.03 THREE PLACE DECIMAL ±.003		CONFIDENTIAL: This drawing and design is proprietary and confidential to Montag Manufacturing, Inc.	
MATERIAL	N/A	DRAWN	SEC	DATE	10/20/21
FINISH	N/A	APPROVED	SEC	DATE	06/06/22
COMMENTS:		SIZE		PART. NO.	
		A		C12B 2022	
		SCALE: 1:64		WEIGHT:	
				REV A-01	
				SHEET 5 OF 9	

0" OFFSET

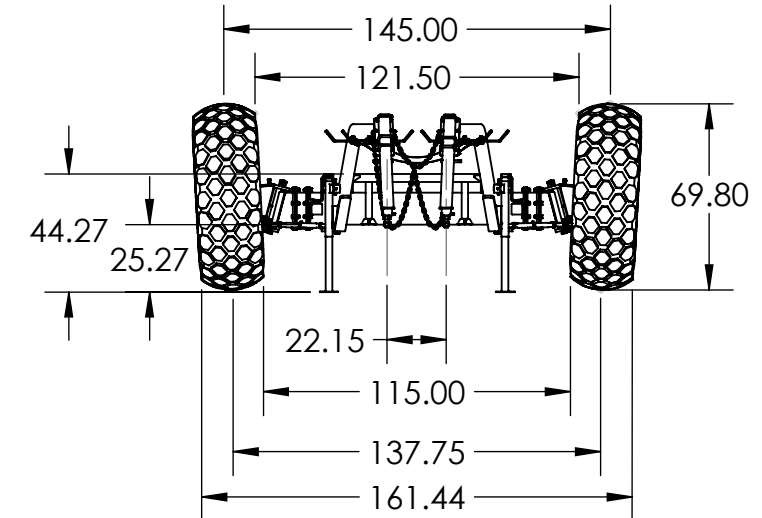
C12BB
A000003/A000291
380/90 R46"



C12BJ
A002415/A002416
480/80 R42"



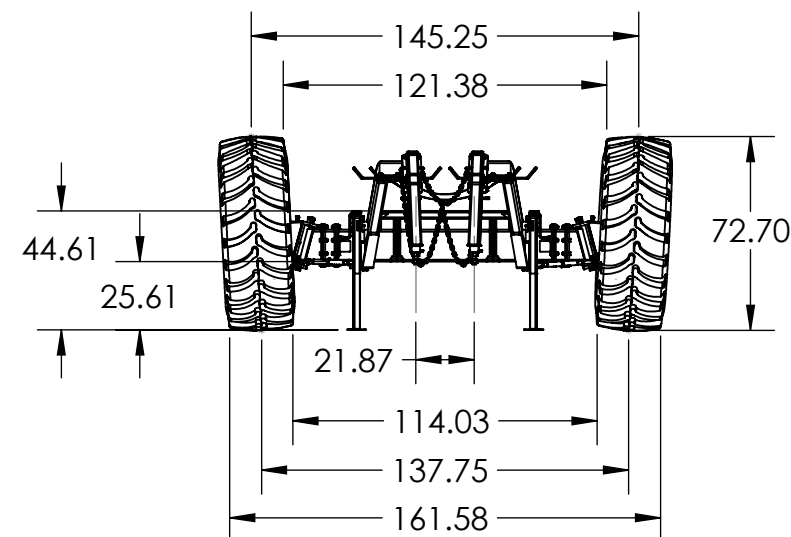
C12BA
A000002
24.5 x 32"
(MINIMUM 10" WHEEL BASE EXTENSION REQUIRED - NOT COMPATIBLE W 120" WB)



NOTE: ALL TIRE DIMENSIONS ARE APPROXIMATE

C12B
A002111/A002112
650/65 R38"

(MINIMUM 10" WHEEL BASE EXTENSION REQUIRED - NOT COMPATIBLE W 120" WB)



- 0" OFFSET = 120" C/C
 - 10" OFFSET = 130" C/C
 - 12" OFFSET = 132" C/C
 - 24" OFFSET = 144" C/C
 - 32" OFFSET = 152" C/C
 - 40" OFFSET = 160" C/C
- (SOME TIRE SIZES EXCLUDED)



MONTAG MFG
3816 461st AVE,
Emmetsburg, IA 50536

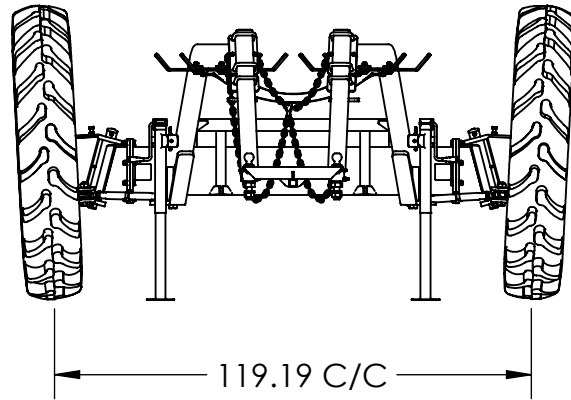
P: 712-852-4572
F: 712-852-4574
www.montagmfg.com

DO NOT SCALE DRAWING
UNLESS OTHERWISE SPECIFIED:
DIMENSIONS ARE IN INCHES
TOLERANCES ARE AS FOLLOWS:
FRACTIONAL ± 1/32
ANGULAR: ± 1
TWO PLACE DECIMAL ±.03
THREE PLACE DECIMAL ±.003

CONFIDENTIAL: This drawing and design is proprietary and confidential to Montag Manufacturing, Inc.		
NAME	DATE	
DRAWN	SEC	10/20/21
APPROVED	SEC	06/06/22
COMMENTS:		
MATERIAL	N/A	
FINISH	N/A	

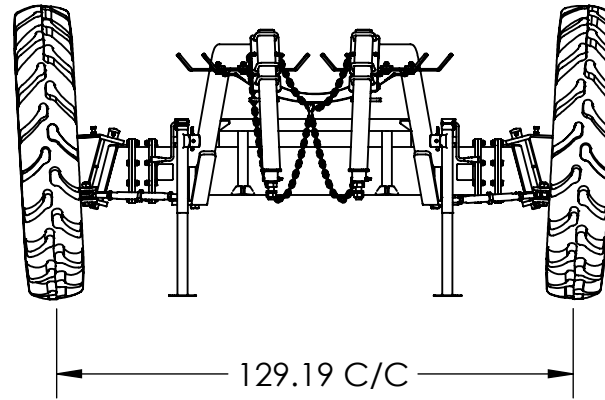
TITLE: Auto Steer Cart - 12 Ton Adjustable Axle		
SIZE	PART. NO.	REV
B	C12B 2022	A-01
SCALE: 1:72	WEIGHT:	SHEET 6 OF 9

0" OFFSET



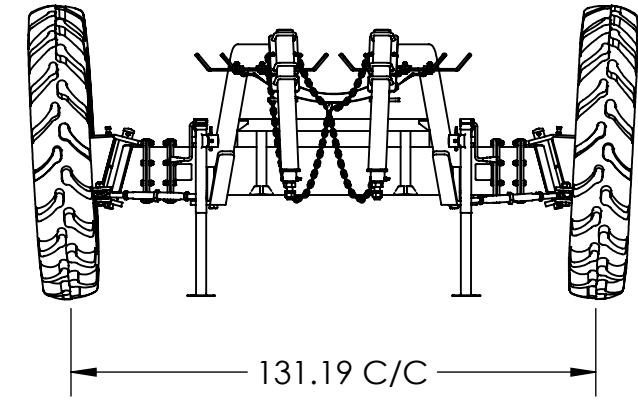
AXLE EXTENSION: NONE
TIE-ROD: P000350

10" OFFSET



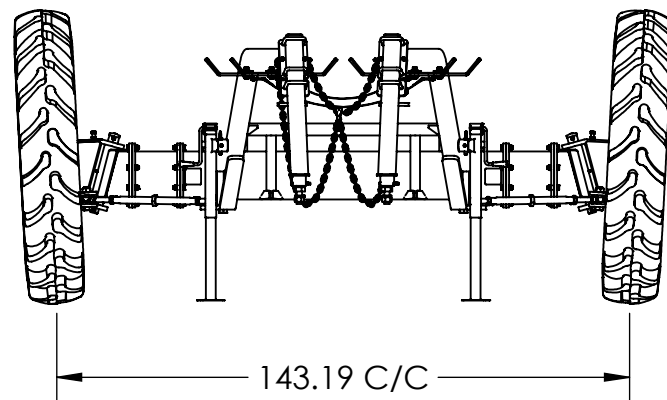
AXLE EXTENSION: A000043
TIE-ROD: P000350

12" OFFSET



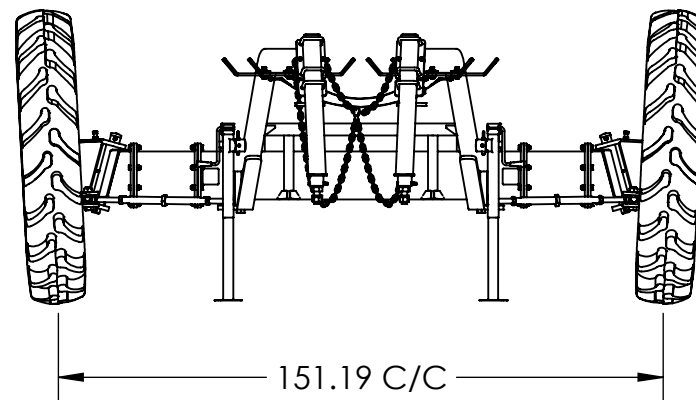
AXLE EXTENSION: A000044
TIE-ROD: P000350

24" OFFSET



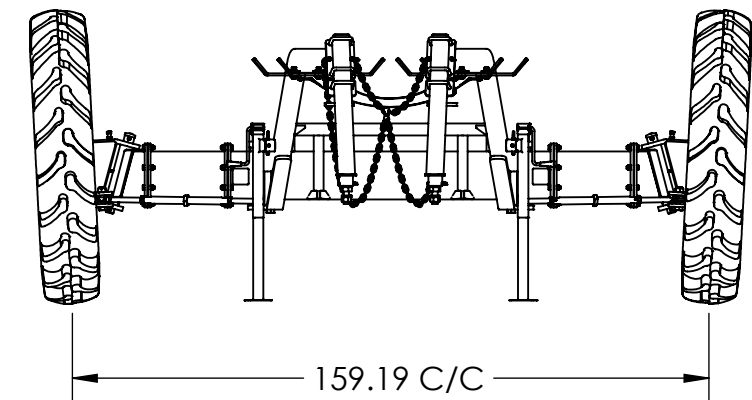
AXLE EXTENSION: A000045
TIE-ROD: P000351

32" OFFSET



AXLE EXTENSION: A000046
TIE-ROD: P000351

40" OFFSET



AXLE EXTENSION: A000047
TIE-ROD: P000351

**CARTS DISPLAYED ARE C12BB
 (A000003/A000291 - 380/90 R46") TIRE OPTION**



MONTAG MFG
 3816 461st AVE,
 Emmetsburg, IA 50536

P: 712-852-4572
 F: 712-852-4574
 www.montagmfg.com

DO NOT SCALE DRAWING
 UNLESS OTHERWISE SPECIFIED:
 DIMENSIONS ARE IN INCHES
 TOLERANCES ARE AS FOLLOWS:
 FRACTIONAL ± 1/32
 ANGULAR: ± 1
 TWO PLACE DECIMAL ±.03
 THREE PLACE DECIMAL ±.003

CONFIDENTIAL: This drawing and design is proprietary and confidential to Montag Manufacturing, Inc.		
	NAME	DATE
DRAWN	SEC	10/20/21
APPROVED	SEC	06/06/22

TITLE:
Auto Steer Cart - 12 Ton Adjustable Axle

SIZE	PART. NO.	REV
B	C12B 2022	A-01
SCALE: 1:48 WEIGHT:		SHEET 7 OF 9

COMMENTS: