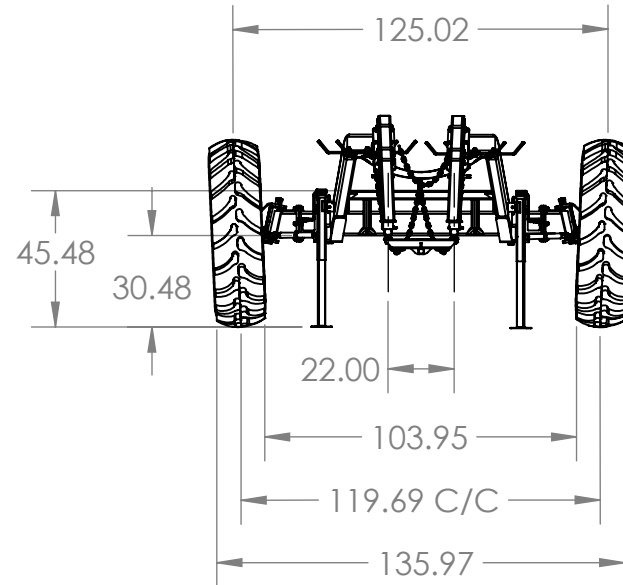
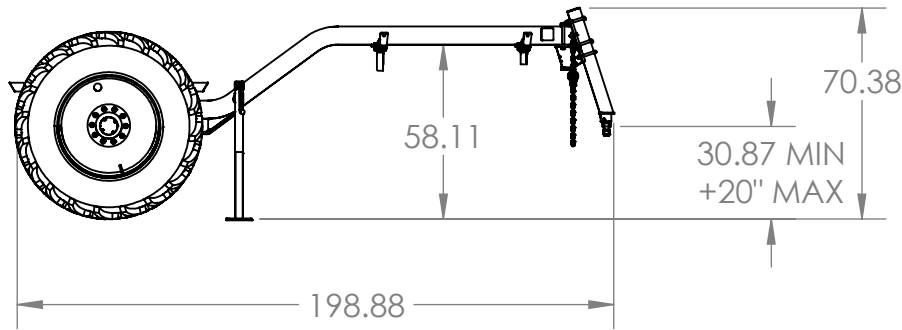

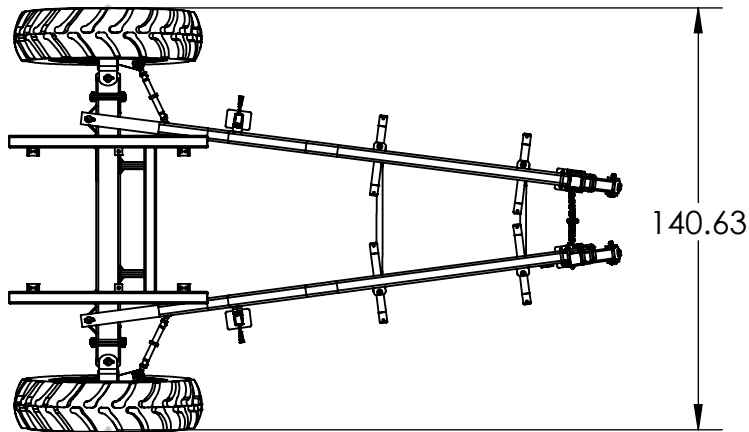


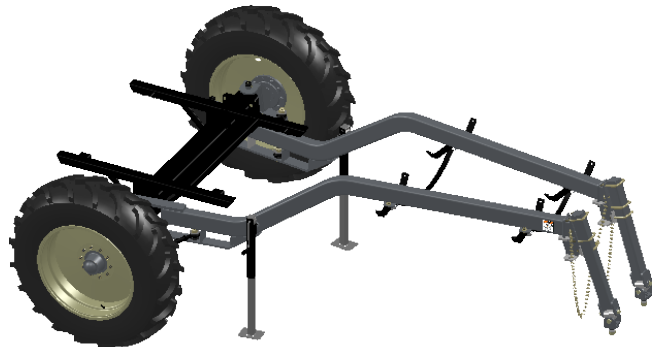
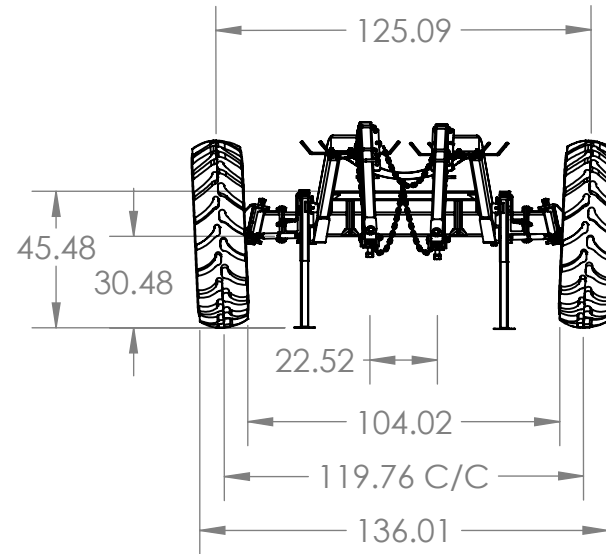
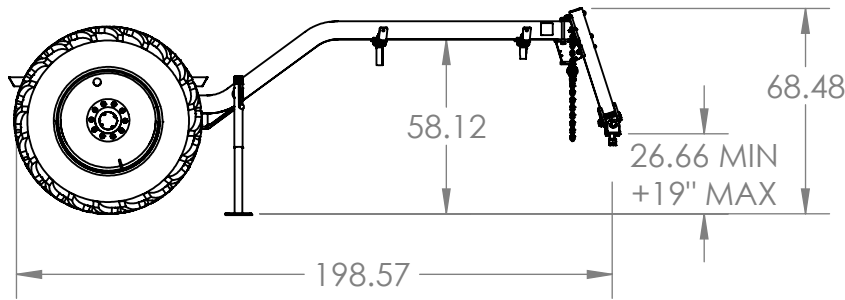
OPTIONS AS SHOWN		
OPTION	PART #	DESCRIPTION
Tires	A000005 A000293	Tire Assembly - 420/85 R34" 10 Bolt Small
Adj. Axle	N/A	N/A (Req. P000350)
Coupler Style	A000034	Hitch - Adj. (Req. A000017)




		MONTAG MFG 3816 461st AVE, Emmetsburg, IA 50536		P: 712-852-4572 F: 712-852-4574 www.montagmfg.com			
		DO NOT SCALE DRAWING UNLESS OTHERWISE SPECIFIED: DIMENSIONS ARE IN INCHES TOLERANCES ARE AS FOLLOWS: FRACTIONAL ± 1/32 ANGULAR: ± 1° TWO PLACE DECIMAL ±.03 THREE PLACE DECIMAL ±.003		CONFIDENTIAL: This drawing and design is proprietary and confidential to Montag Manufacturing, Inc.		TITLE: Auto-Steer Cart - 6Ton Adjustable Axle	
MATERIAL N/A		DRAWN SEC		NAME IJM		DATE 10/20/21	
FINISH N/A		APPROVED IJM		DATE 11/05/21		COMMENTS:	
		SIZE A		PART. NO. C06B 2022		REV A	
		SCALE: 1:64		WEIGHT: 3486.75			



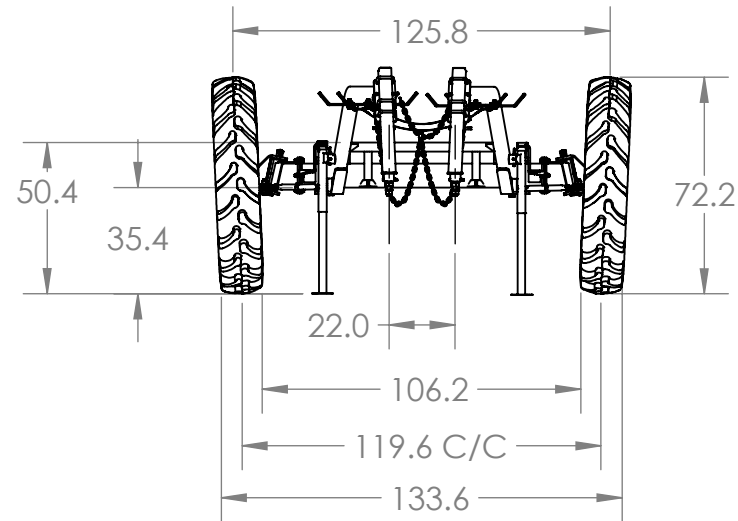
OPTIONS AS SHOWN		
OPTION	PART #	DESCRIPTION
Tires	A000005 A000293	Tire Assembly - 420/85 R34" 10 Bolt Small
Adj. Axle	N/A	N/A (Req. P000350)
Coupler Style	A000020	Hitch - Knuckle Assembly (Req. W000237)



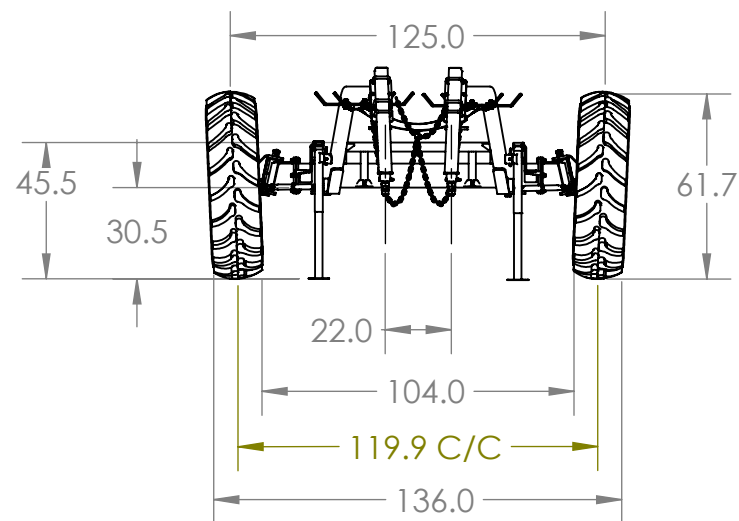
		MONTAG MFG 3816 461st AVE, Emmetsburg, IA 50536		P: 712-852-4572 F: 712-852-4574 www.montagmfg.com	
MATERIAL N/A FINISH N/A		CONFIDENTIAL: This drawing and design is proprietary and confidential to Montag Manufacturing, Inc.		TITLE: Auto-Steer Cart - 6Ton Adjustable Axle	
				COMMENTS:	
				SCALE: 1:64 WEIGHT:3486.75	

0" OFFSET

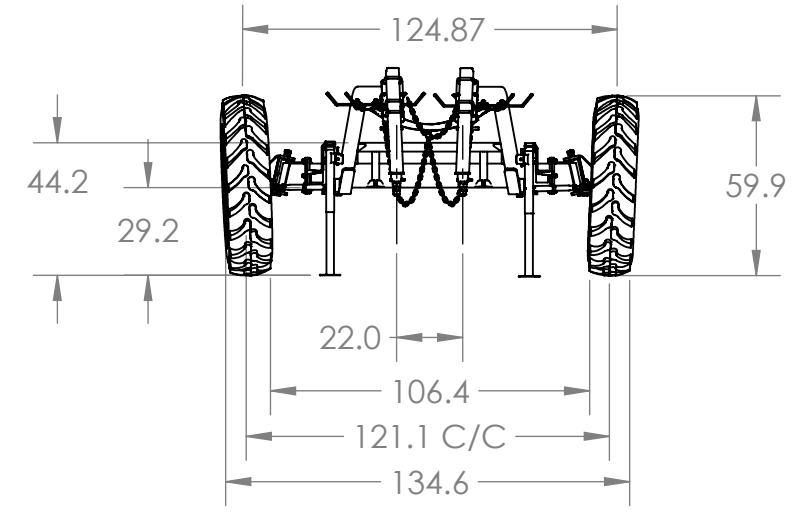
C06BC
A000004/A000292
380/90 R46"



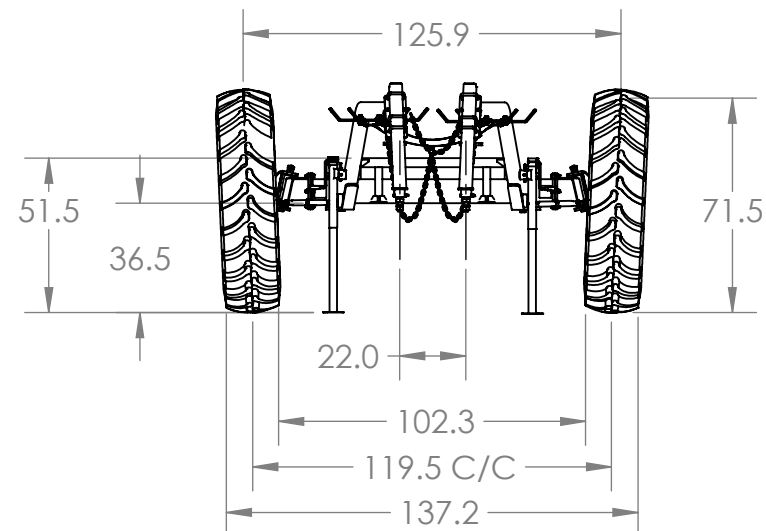
C06BD
A000005/A000293
420/85 R34"



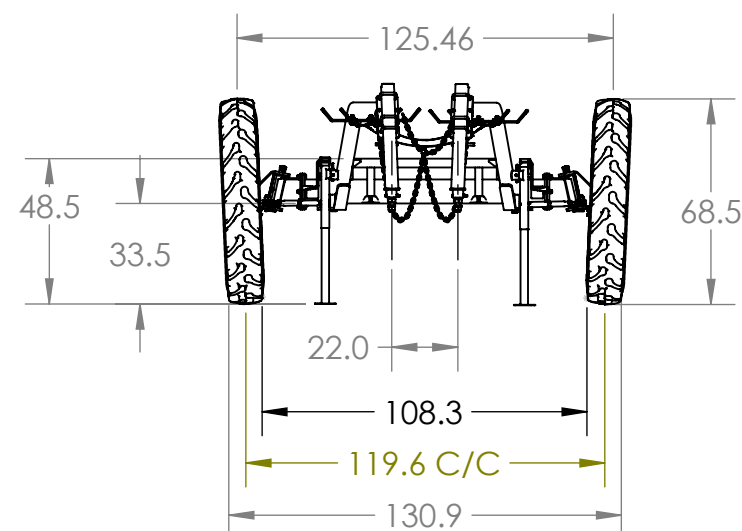
C06BE
A000006/A000294
380/85 R34"



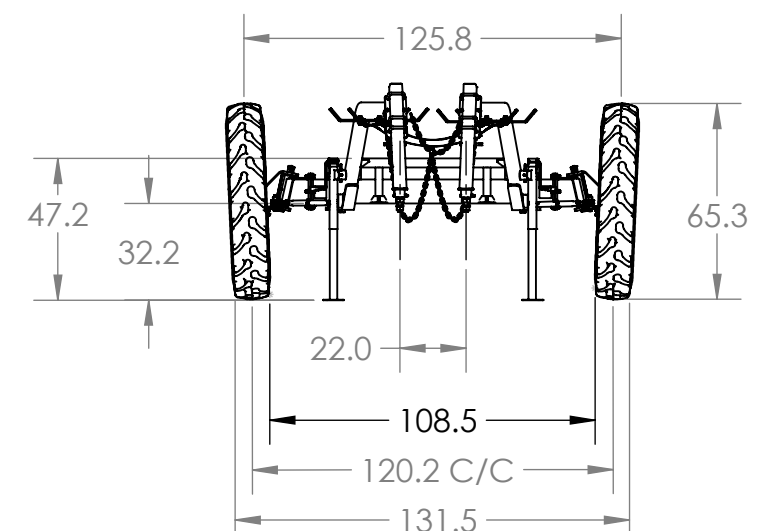
C06BF
A000063/A000295
480/80 R42"



C06BG
A000175/A000304
320/90 R46"



C06BH
A000193/A000305
320/90 R42"



NOTE: ALL TIRE DIMENSIONS ARE APPROXIMATE



MONTAG MFG
3816 461st AVE,
Emmetsburg, IA 50536

P: 712-852-4572
F: 712-852-4574
www.montagmfg.com

DO NOT SCALE DRAWING
UNLESS OTHERWISE SPECIFIED:
DIMENSIONS ARE IN INCHES
TOLERANCES ARE AS FOLLOWS:
FRACTIONAL: ± 1/32
ANGULAR: ± 1
TWO PLACE DECIMAL: ±.03
THREE PLACE DECIMAL: ±.003

CONFIDENTIAL: This drawing and design is proprietary and confidential to Montag Manufacturing, Inc.		
NAME	DATE	
DRAWN	SEC	10/20/21
APPROVED	IJM	11/05/21

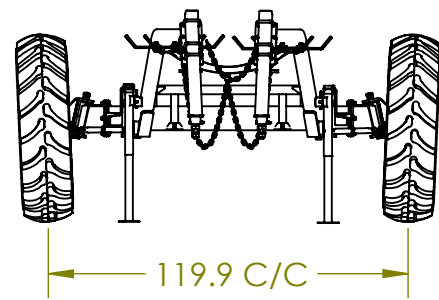
TITLE:
Auto-Steer Cart - 6Ton Adjustable Axle

MATERIAL: N/A
FINISH: N/A

COMMENTS:

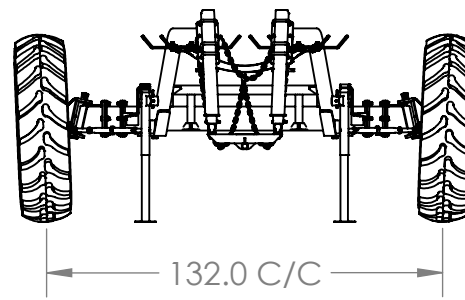
SIZE	PART. NO.	REV
B	C06B 2022	A
SCALE: 1:64		WEIGHT:

0" OFFSET



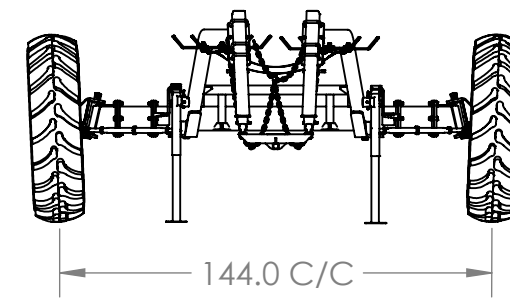
AXLE EXTENSION: NONE
TIE-ROD: P000350

12" OFFSET



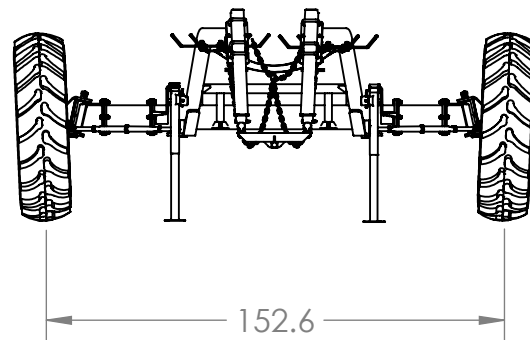
AXLE EXTENSION: A000039
TIE-ROD: P000350

24" OFFSET



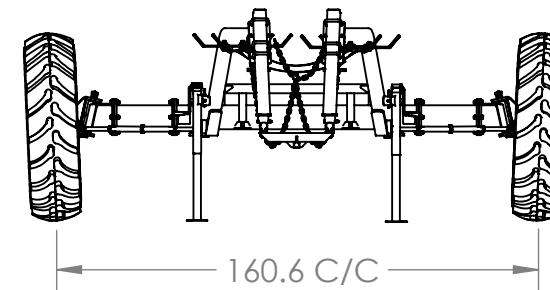
AXLE EXTENSION: A000040
TIE-ROD: P000351

32" OFFSET



AXLE EXTENSION: A000041
TIE-ROD: P000351

40" OFFSET



AXLE EXTENSION: A000042
TIE-ROD: P000351

**CARTS DISPLAYED ARE C06BD
(A000005/A000293 - 420/85 R34") TIRE OPTION**



MONTAG MFG
3816 461st AVE,
Emmetsburg, IA 50536

P: 712-852-4572
F: 712-852-4574
www.montagmfg.com

DO NOT SCALE DRAWING
UNLESS OTHERWISE SPECIFIED:
DIMENSIONS ARE IN INCHES
TOLERANCES ARE AS FOLLOWS:
FRACTIONAL ± 1/32
ANGULAR: ± 1
TWO PLACE DECIMAL ±.03
THREE PLACE DECIMAL ±.003

CONFIDENTIAL: This drawing and design is proprietary and confidential to Montag Manufacturing, Inc.		
DRAWN	NAME	DATE
APPROVED	SEC	10/20/21
	IJM	11/05/21

TITLE:
**Auto-Steer Cart - 6Ton
Adjustable Axle**

MATERIAL: N/A
FINISH: N/A

COMMENTS:

SIZE	PART. NO.	REV
B	C06B 2022	A
SCALE: 1:64		WEIGHT: