

REVISIONS			
REV.	DESCRIPTION	DATE	APPROVAL
A	RELEASED FOR PRODUCTION	2/14/2022	IJM
B	ADDED K002101	6/16/2022	CJS
C	ADDED DWI0039; K002721 WAS K002097	8/16/2022	CJS

ITEM NO.	QTY.	PART NUMBER	DESCRIPTION
1	1	A002573	Gen 2 - 2212 2022 Base Unit
2	1	DWI0039	Document - 2212 Fortifier (2022+)(E2) Decal Placement
3	1	K002062	Kit - Gen II Safety Decals
4	1	K002101	Kit - Gen II 12 Row 2 Bin STS
5	1	K002252	Kit - Fortifier 2212 Customer Care Package
6	1	K002561	Kit - STS To Fortifier 2212 Hydraulic Connection (2022+)
7	1	K002721	Kit - 2 Bin 4 Section Gen 2 2212 Complete (2022+)
8	1	M001044	Hose - Air Gauge Breather Tube
10	1	P000202	Serial Tag
11	1	P000273	Decal - Fema
12	1	P000812	Gauge - Dwyer Air 0-30" WC (No Logo)
13	2	P002361	Decal - Tank Number One
14	2	P002362	Decal - Tank Number Two
15	2	P002470	Decal - 2010 Logo (36" Long) Anti-Bubble
16	2	P002959	Decal - Fortifier 2212 Flowing Field Logo



**MONTAG MFG**  
3816 461st AVE,  
Emmetsburg, IA 50536

P: 712-852-4572  
F: 712-852-4574  
www.montagmfg.com

DO NOT SCALE DRAWING  
UNLESS OTHERWISE SPECIFIED:  
DIMENSIONS ARE IN INCHES  
TOLERANCES ARE AS FOLLOWS:  
FRACTIONAL: ± 1/32  
ANGULAR: ± 1  
TWO PLACE DECIMAL: ±.03  
THREE PLACE DECIMAL: ±.003

CONFIDENTIAL: This drawing and design is proprietary and confidential to Montag Manufacturing, Inc.		
	NAME	DATE
DRAWN	SEC	04/16/21
APPROVED	CJS	08/16/22

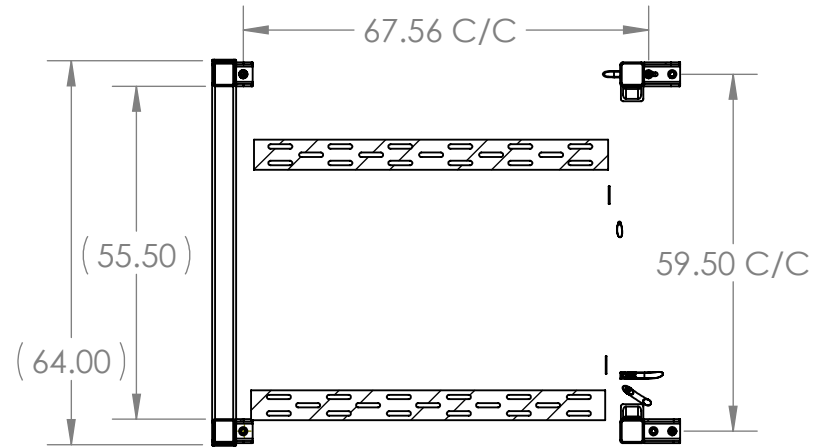
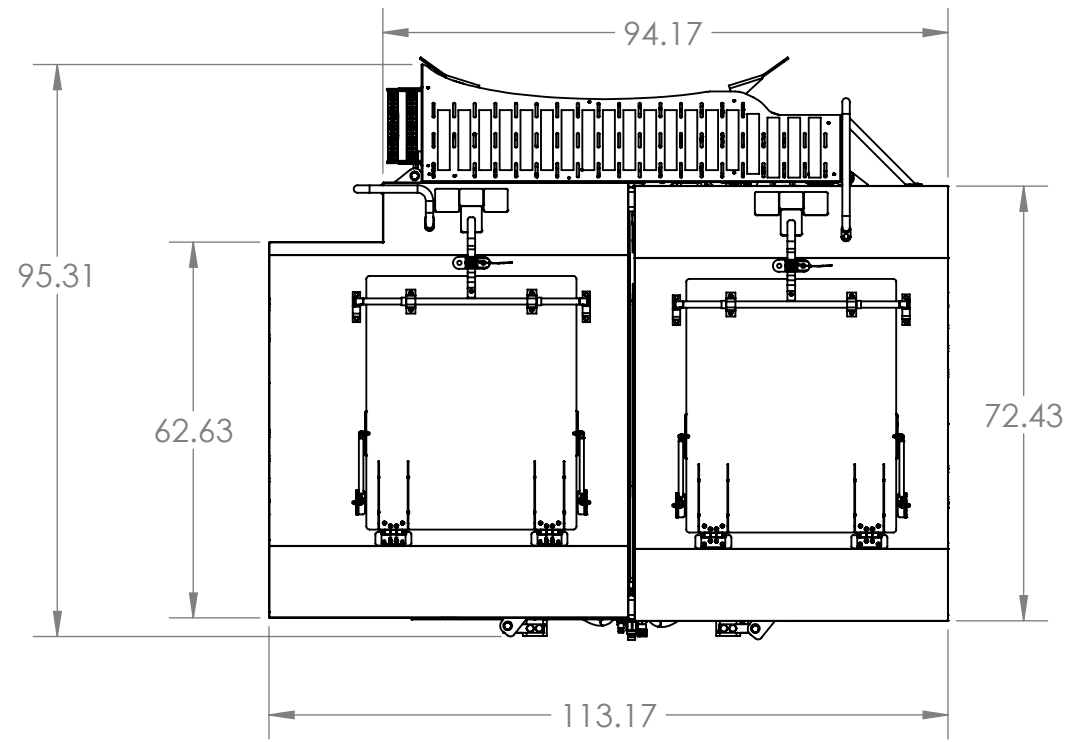
TITLE:  
**Gen 2 - 2212 Fortifier for  
STS 10/12 (MY 2022+)  
12 Row Unit 4 Section**

MATERIAL: N/A  
FINISH: N/A

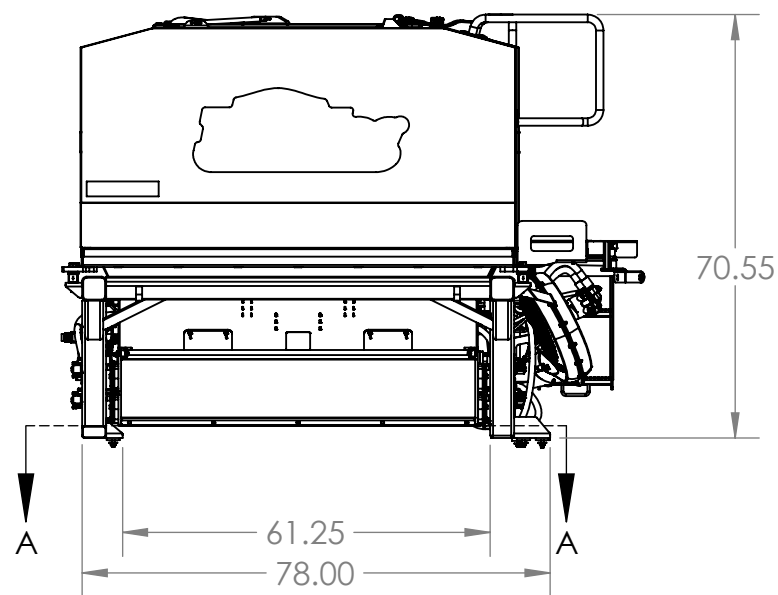
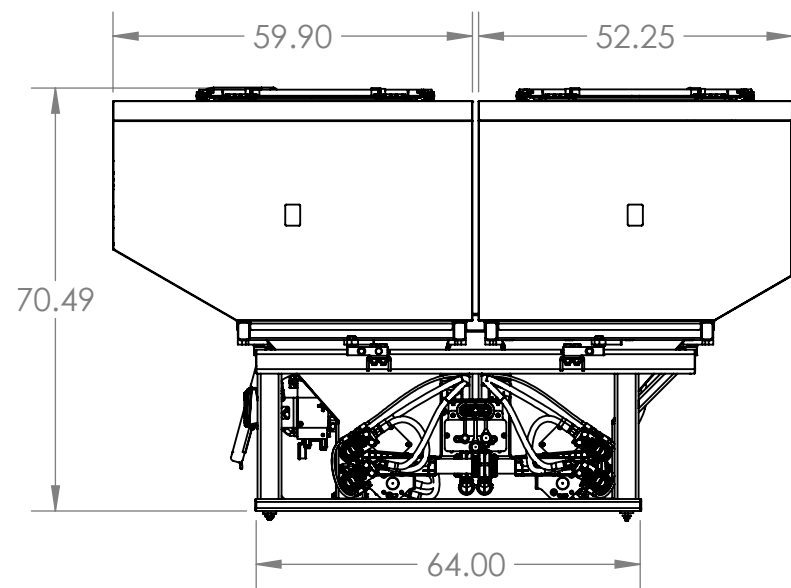
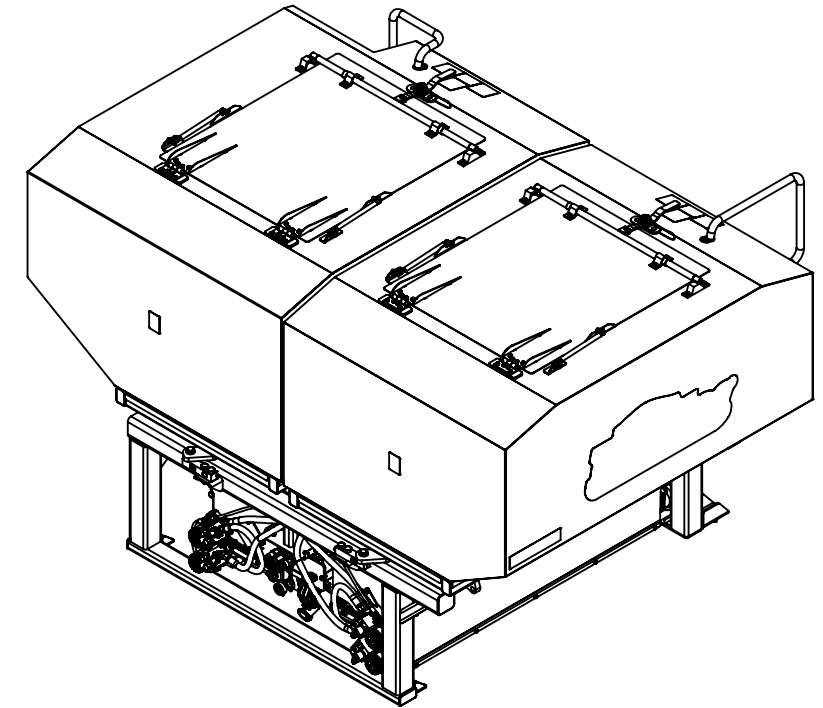
COMMENTS:

SIZE	PART. NO.	REV
<b>B</b>	<b>V12A424E2</b>	<b>C</b>

SCALE: 1:16 WEIGHT: 3569.99 SHEET 1 OF 3



SECTION A-A  
(SOME COMPONENTS HIDDEN FOR CLARITY)



**MONTAG MFG**  
3816 461st AVE,  
Emmetsburg, IA 50536

P: 712-852-4572  
F: 712-852-4574  
www.montagmfg.com

DO NOT SCALE DRAWING  
UNLESS OTHERWISE SPECIFIED:  
DIMENSIONS ARE IN INCHES  
TOLERANCES ARE AS FOLLOWS:  
FRACTIONAL ± 1/32  
ANGULAR: ± 1  
TWO PLACE DECIMAL ±.03  
THREE PLACE DECIMAL ±.003

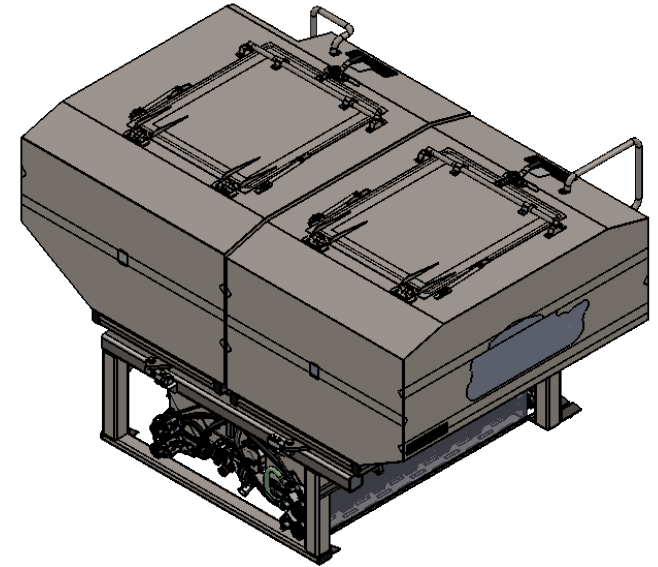
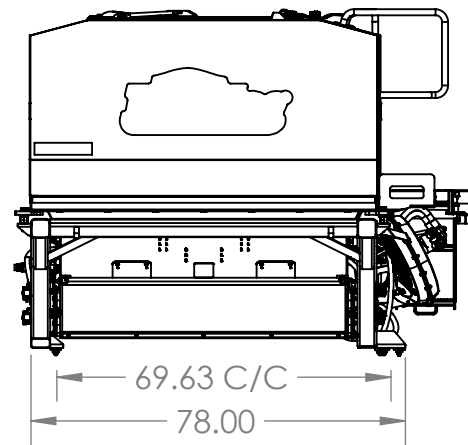
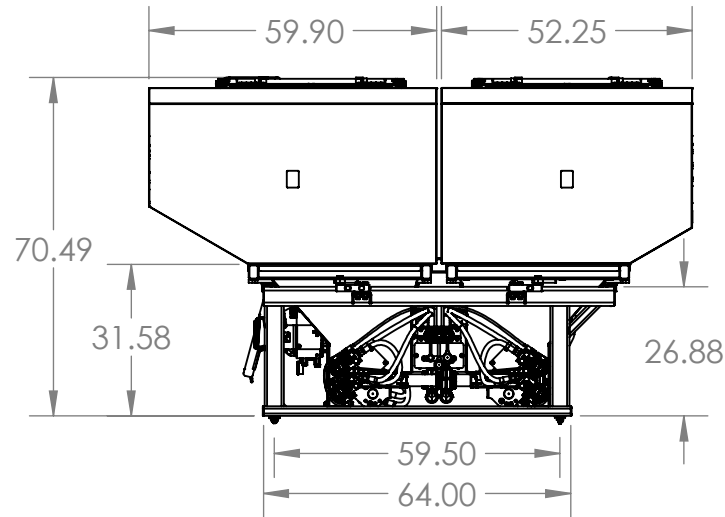
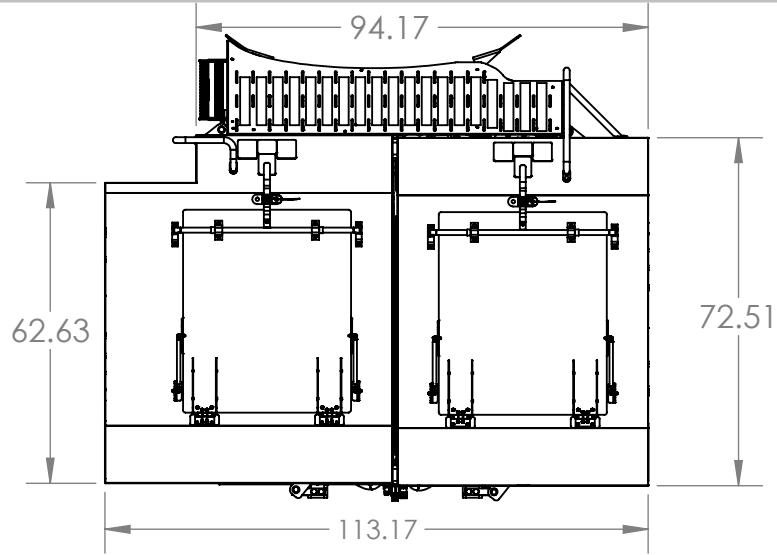
<b>CONFIDENTIAL:</b> This drawing and design is proprietary and confidential to Montag Manufacturing, Inc.		
NAME	DATE	
DRAWN	SEC	04/16/21
APPROVED	CJS	08/16/22

TITLE:  
**Gen 2 - 2212 Fortifier for  
STS 10/12 (MY 2022+)  
12 Row Unit 4 Section**

MATERIAL N/A  
FINISH N/A

COMMENTS:

SIZE	PART. NO.	REV
<b>B</b>	<b>V12A424E2</b>	<b>C</b>
SCALE: 1:32 WEIGHT: 3569.99		SHEET 2 OF 3



**MONTAG MFG**

3816 461st AVE,  
Emmetsburg, IA 50536

P: 712-852-4572  
F: 712-852-4574  
www.montagmfg.com

DO NOT SCALE DRAWING  
UNLESS OTHERWISE SPECIFIED:  
DIMENSIONS ARE IN INCHES

TOLERANCES ARE AS FOLLOWS:  
FRACTIONAL  $\pm 1/32$   
ANGULAR:  $\pm 1$   
TWO PLACE DECIMAL  $\pm .03$   
THREE PLACE DECIMAL  $\pm .003$

MATERIAL  
N/A

FINISH  
N/A

**CONFIDENTIAL:**  
This drawing and design is proprietary  
and confidential to Montag  
Manufacturing, Inc.

	NAME	DATE
DRAWN	SEC	04/16/21
APPROVED	CJS	08/16/22

COMMENTS:

TITLE:

Gen 2 - 2212 Fortifier for  
STS 10/12 (MY 2022+)  
12 Row Unit 4 Section

SIZE	PART. NO.	REV
<b>A</b>	<b>V12A424E2</b>	<b>C</b>

SCALE: 1:40 | WEIGHT: 3250.00 | SHEET 3 OF 3