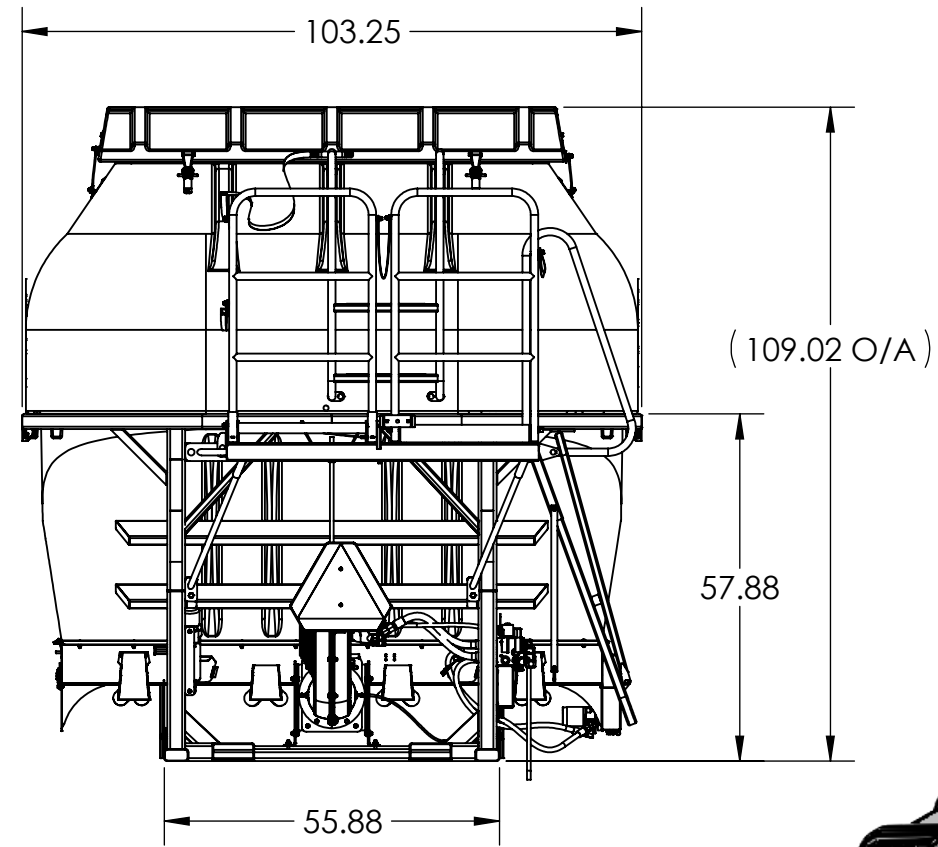
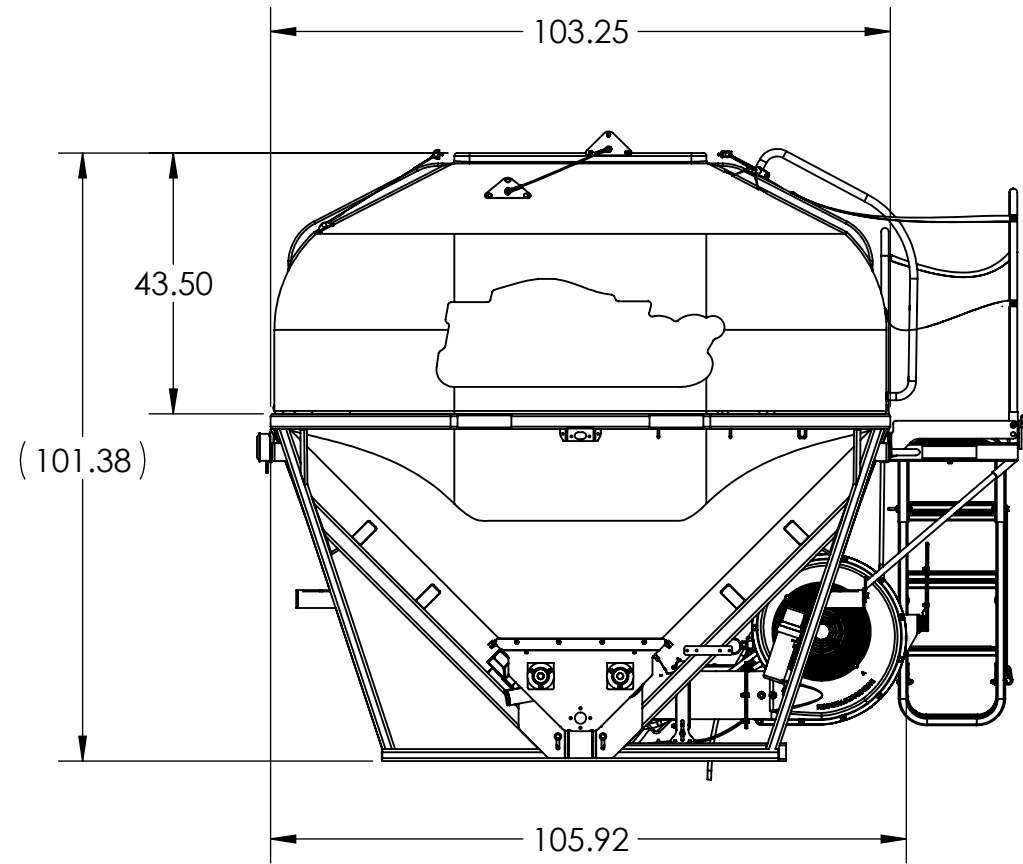
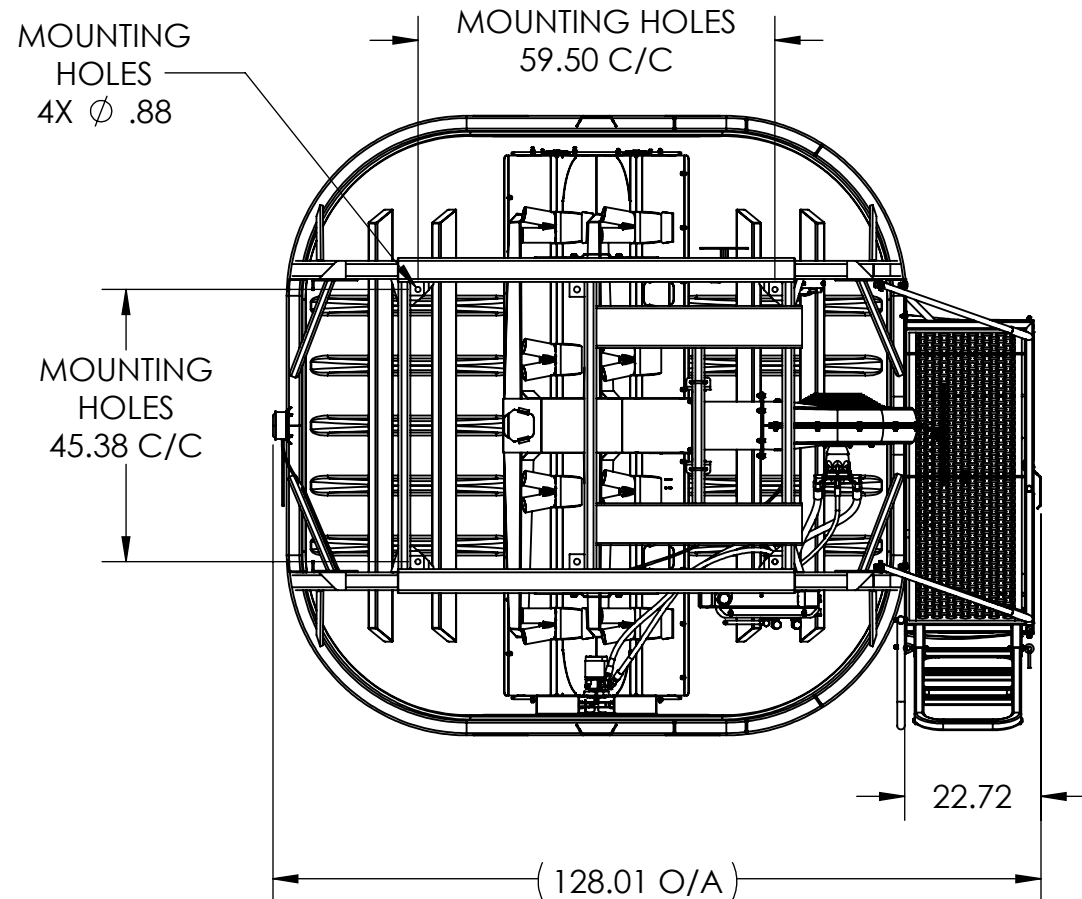
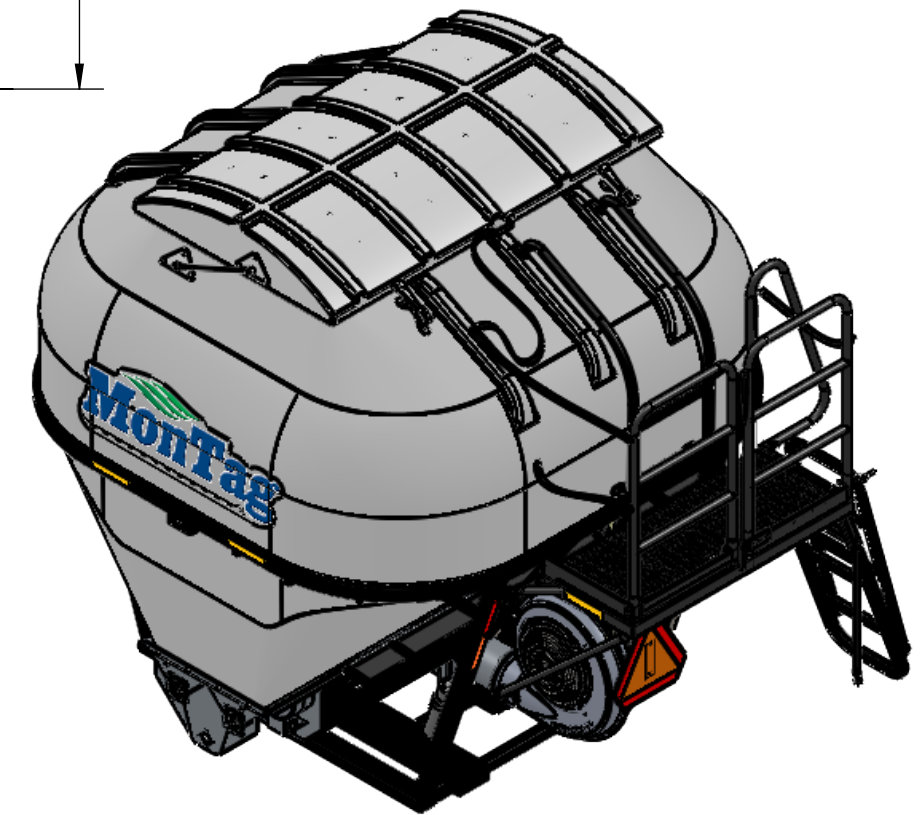



REVISIONS			
REV.	DESCRIPTION	DATE	APPROVAL
A	RELEASED FOR PRODUCTION	8/23/2022	IJM



9 TON



	MONTAG MFG 3816 461st AVE, Emmetsburg, IA 50536		P: 712-852-4572 F: 712-852-4574 www.montagmfg.com	
	DO NOT SCALE DRAWING UNLESS OTHERWISE SPECIFIED: DIMENSIONS ARE IN INCHES 1/X ± 1/32 .X ± .1 .XX ± .03 .XXX ± .010 ANGULAR ± 1°		CONFIDENTIAL: This drawing and design is proprietary and confidential to Montag Manufacturing, Inc.	
MATERIAL: N/A FINISH:		TITLE: Gen 1 2022		REV: A
COMMENTS:		SIZE: B	PART. NO.: GEN 1 2022	SCALE: 1:32 WEIGHT: 2357.76 SHEET 1 OF 2