

ITEM NO.	QTY.	PART NUMBER	DESCRIPTION
1	1	A002214	Bracket - High-Rise Light Mount Assembly (Left) (Black)
2	1	A002215	Bracket - High-Rise Light Mount Assembly (Right) (Black)
3	1	K000165	Lighting Kit - Safety Flashing (w/Lights) (01-6657-T9)
4	1	K002166	Kit - Light Mount Hardware
5	8	P000152	Cable Tie - 15" x 50# Black
6	10	P002468	Cable Tie - 24" x 80# Black



**MONTAG MFG**

3816 461st AVE,  
Emmetsburg, IA 50536

P: 712-852-4572  
F: 712-852-4574  
www.montagmfg.com

DO NOT SCALE DRAWING  
UNLESS OTHERWISE SPECIFIED:  
DIMENSIONS ARE IN INCHES

TOLERANCES ARE AS FOLLOWS:  
FRACTIONAL  $\pm 1/32$   
ANGULAR:  $\pm 1$   
TWO PLACE DECIMAL  $\pm .03$   
THREE PLACE DECIMAL  $\pm .003$

MATERIAL N/A  
FINISH PAINT

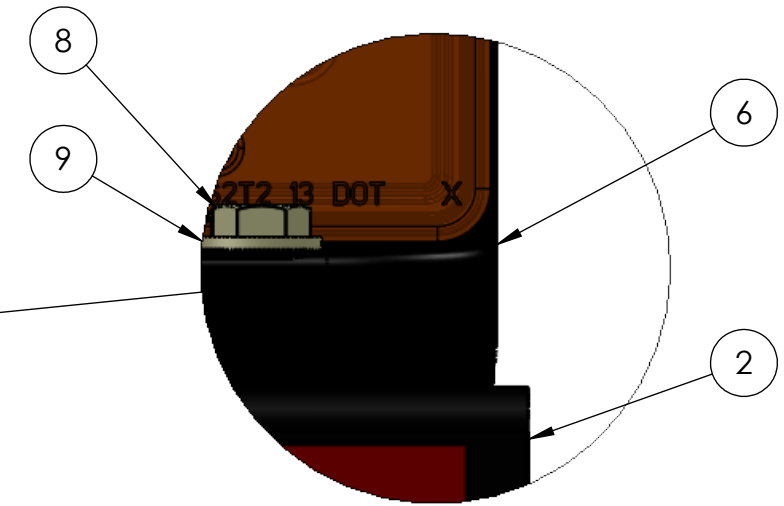
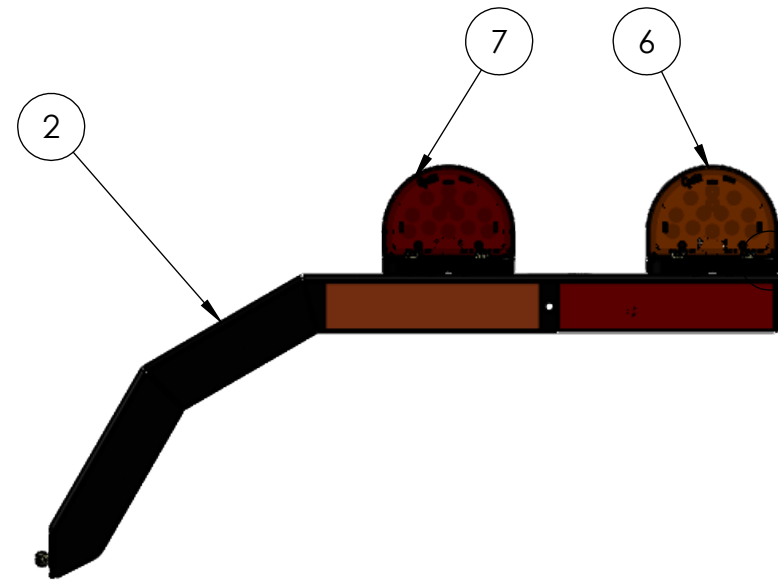
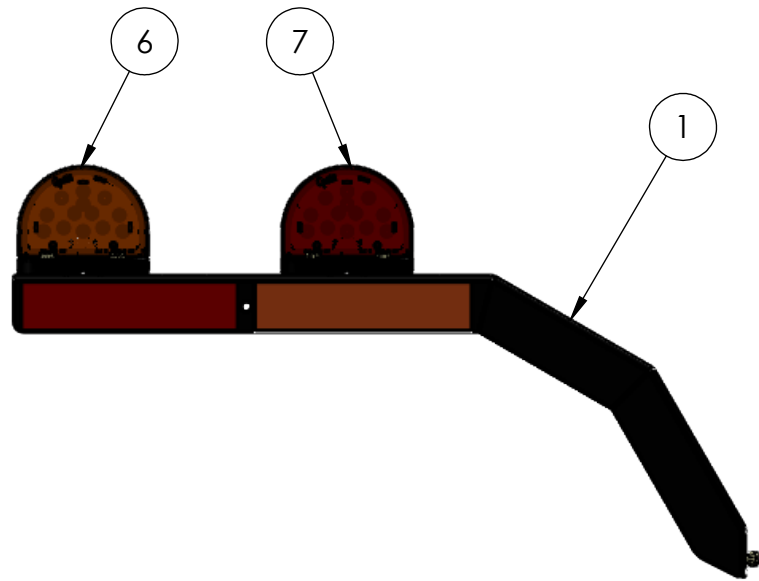
**CONFIDENTIAL:**  
This drawing and design is proprietary  
and confidential to Montag  
Manufacturing, Inc.

	NAME	DATE
DRAWN	KJW	02/07/17
APPROVED	IJM	12/20/17

COMMENTS:

TITLE:  
**Kit - Gen II Safety Light  
(Single Light Housings)**

SIZE	PART. NO.	REV
<b>A</b>	<b>A002216</b>	<b>B</b>
SCALE: 1:18	WEIGHT: 37.50	SHEET 1 OF 2

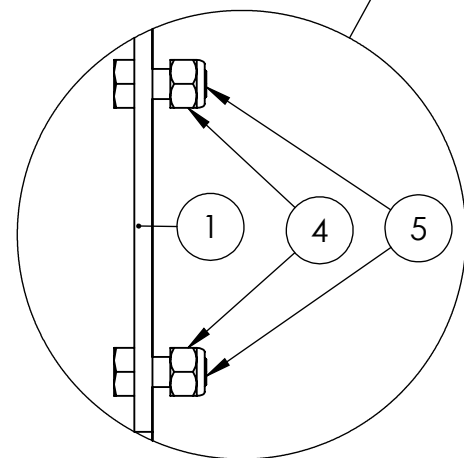
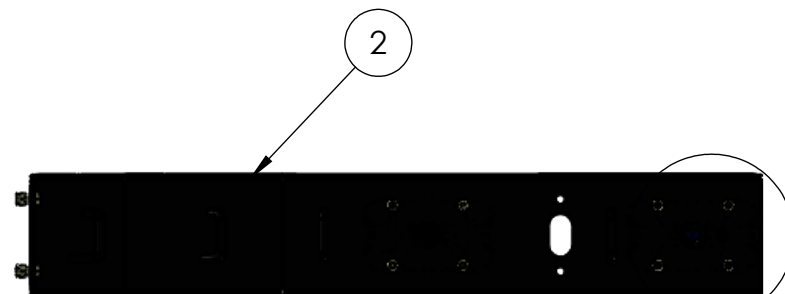
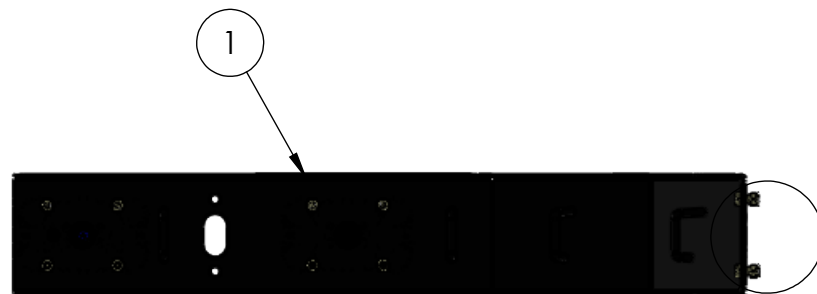


DETAIL A  
SCALE 1 : 1

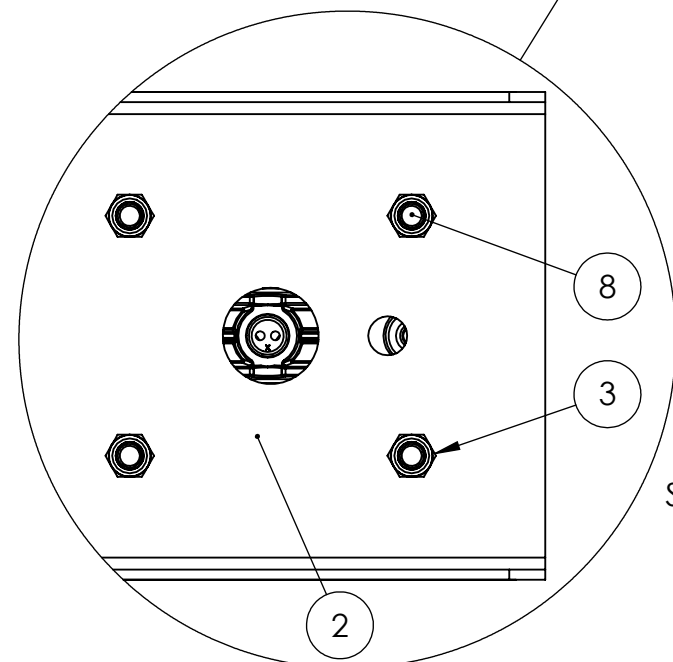
NOTE: RED LENSES ARE TO FACE REAR OF UNIT (OPPOSITE FACE OF OF THE REFLECTIVE AMBER DECALS).

AMBER LIGHTS ARE ON THE OUTSIDE, AND RED LIGHTS ARE ON THE INSIDE.

P002136 (SAFETY LIGHTING CONNECTOR) (A COMPONENT OF K000165) IS NOT USED IN THIS LIGHT KIT.



DETAIL B  
SCALE 1 : 2



DETAIL C  
SCALE 1 : 2

ITEM NO.	QTY.	PART NUMBER	DESCRIPTION
1	1	A002214	Bracket - High-Rise Light Mount Assembly (Left) (Black)
2	1	A002215	Bracket - High-Rise Light Mount Assembly (Right) (Black)
3	16	P000056	Nut - 1/4-20 Hex Nylon Lock (GR 5 M/S FA)
4	4	P000075	Nut - 5/16-18 Hex Nylon Lock (GR 5 M/S FA)
5	4	P000318	Bolt - 5/16-18 x 0.75 x 0.75 Hex (GR 5 M/S FA)
6	2	P002134	Light - Amber Safety Lighting (01-5615-72)
7	2	P002135	Light - Red Safety Lighting (01-4618-72)
8	16	P002427	Bolt - 1/4-20 x 1.25 x 0.75 Hex (GR 5 M/S FA)
9	16	P002466	Washer - 1/4" SAE Flat (0.625" OD) (GR 5 M/S FA)



**MONTAG MFG**  
3816 461st AVE,  
Emmetsburg, IA 50536

P: 712-852-4572  
F: 712-852-4574  
www.montagmfg.com

DO NOT SCALE DRAWING  
UNLESS OTHERWISE SPECIFIED:  
DIMENSIONS ARE IN INCHES  
TOLERANCES ARE AS FOLLOWS:  
FRACTIONAL ± 1/32  
ANGULAR: ± 1  
TWO PLACE DECIMAL ±.03  
THREE PLACE DECIMAL ±.003  
MATERIAL N/A  
FINISH PAINT

**CONFIDENTIAL:**  
This drawing and design is proprietary and confidential to Montag Manufacturing, Inc.  
NAME DATE  
DRAWN KJW 02/07/17  
APPROVED IJM 12/20/17

TITLE:  
**Kit - Gen II Safety Light  
(Single Light Housings)**

SIZE	PART. NO.	REV
<b>B</b>	<b>A002216</b>	<b>B</b>
SCALE: 1:8	WEIGHT: 37.01	SHEET 2 OF 2