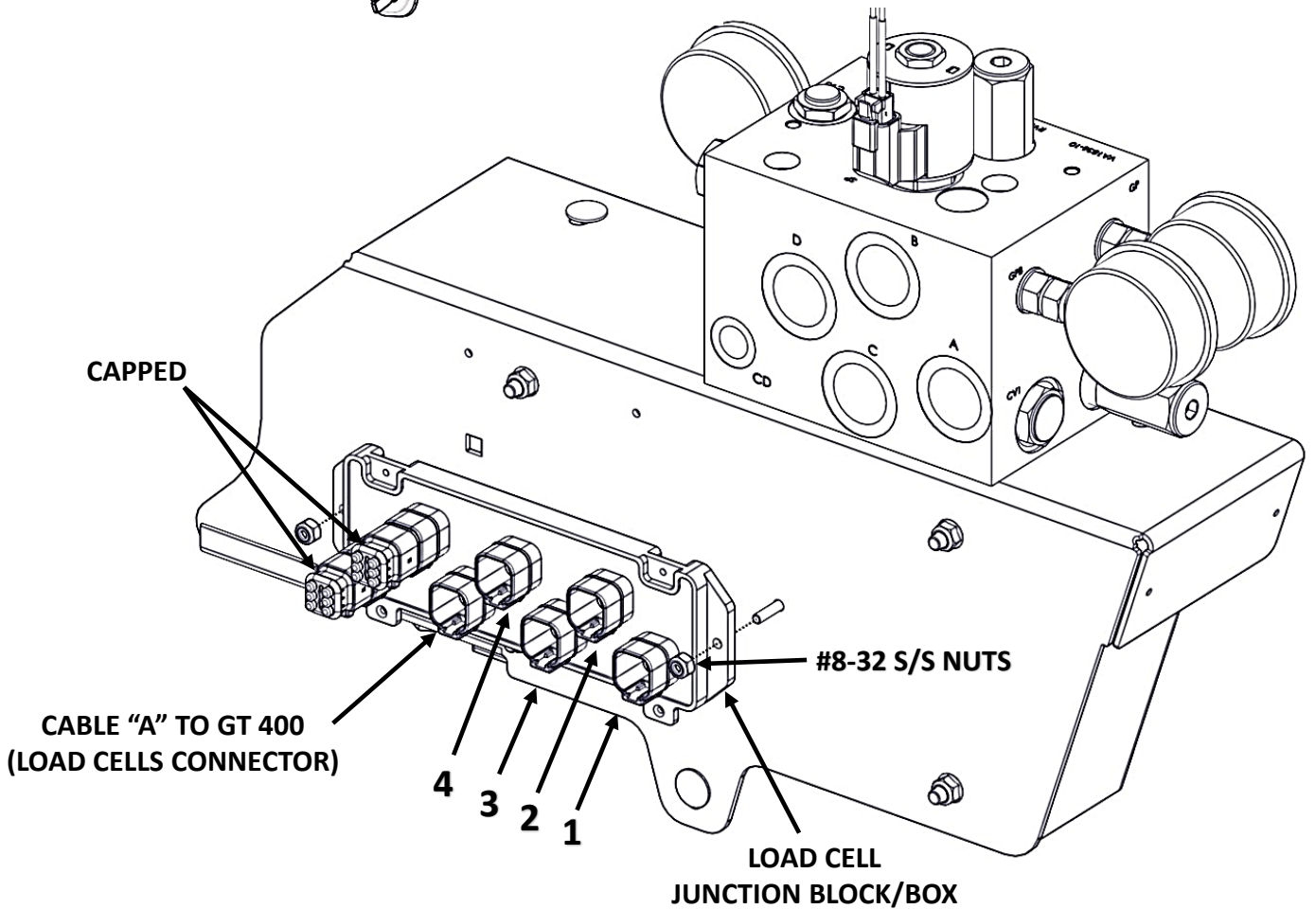
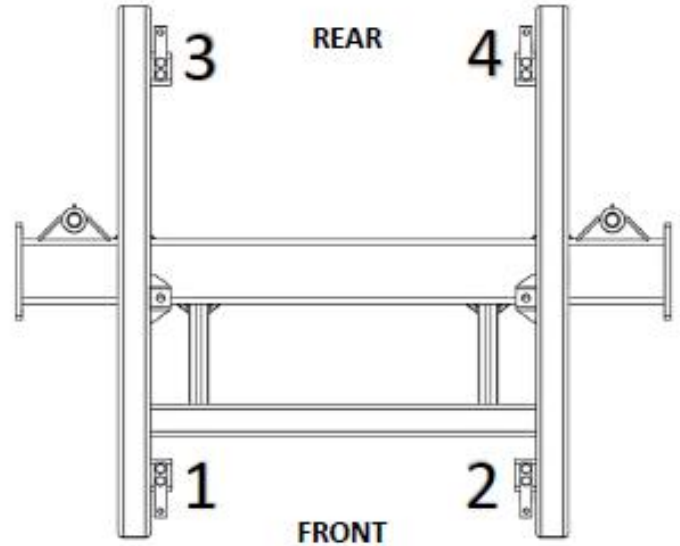
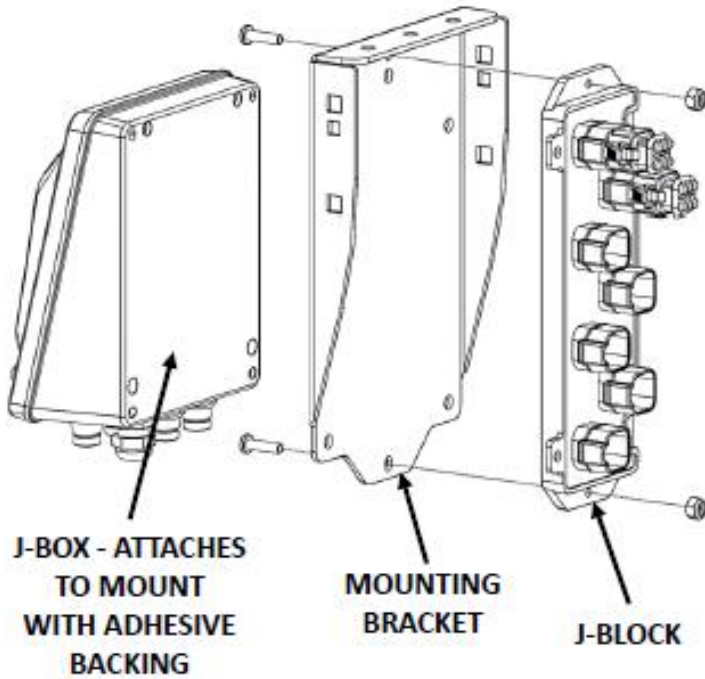


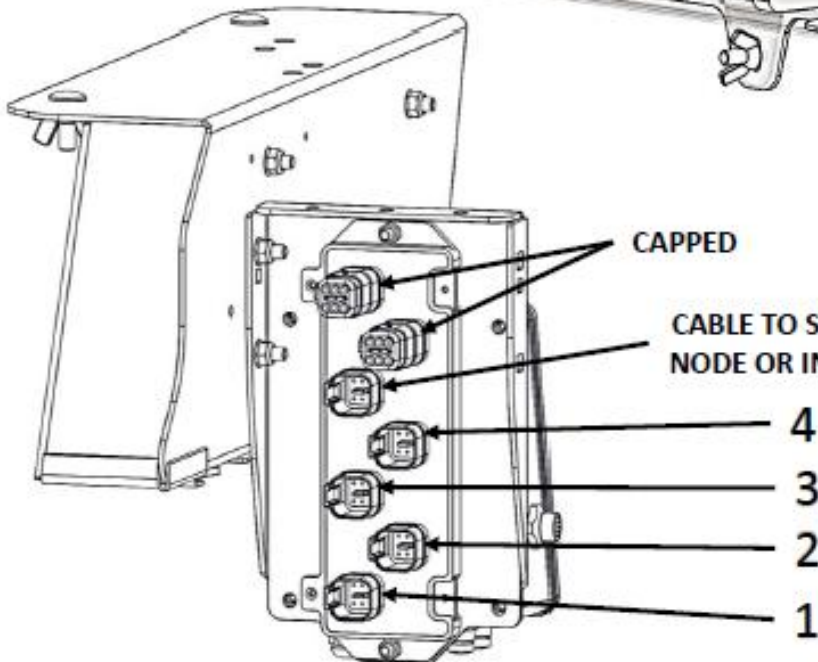
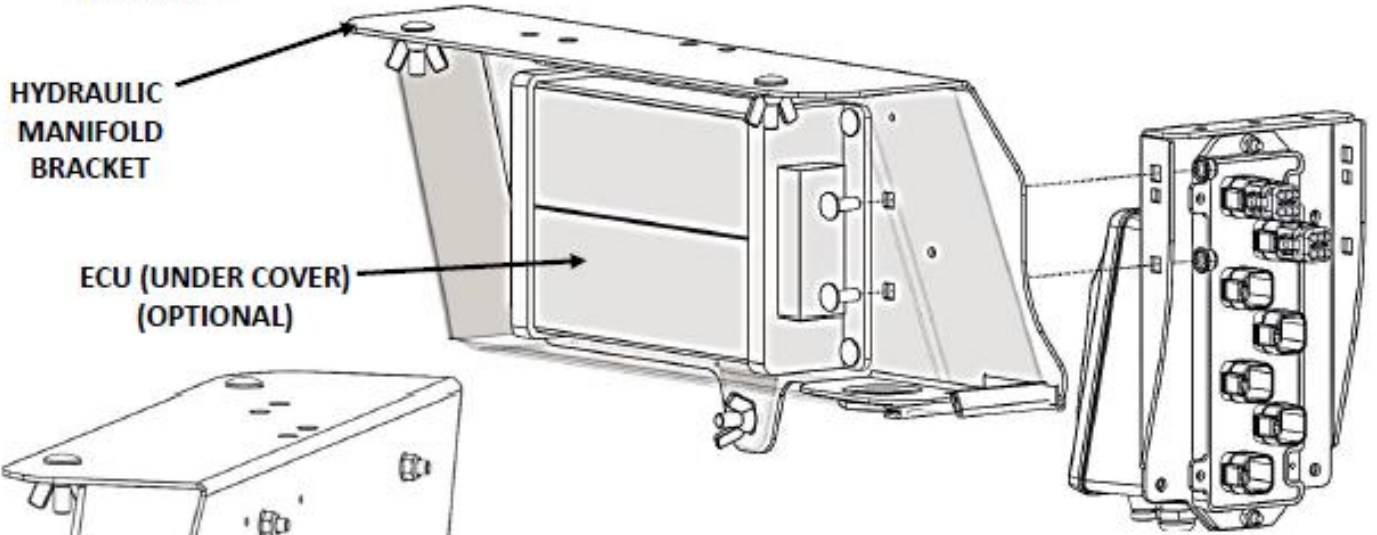
**CONNECT EACH SCALE TO  
J-BLOCK POSITIONS SHOWN**



# DIGI-STAR ISO AND J-BLOCK MOUNTING INSTRUCTIONS (2021+)



CONNECT EACH SCALE TO  
J-BLOCK POSITIONS SHOWN



**CAPPED PORTS  
SHOULD BE ORIENTED  
TOWARDS THE TOP OF  
THE J-BLOCK TO AVOID  
INTERFERENCE WITH  
THE CRADLE UPRIGHTS  
ON SOME UNITS.**