

K002225 - Kit - Row Reducer
Gen I 16 Row to 12 Row HO Meter (Inside)

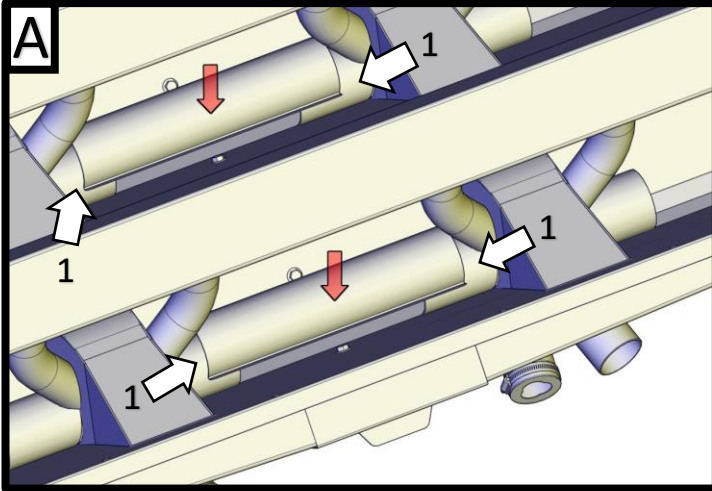
Item No.	Qty	Part Number	Description
1	2	M000149	Row Reducer (8 Row - HO Center)
2	4	M000179	Cap - 2-1/2" Orange w/Hole
3	4	P000240	Hose Clamp - 2" S/S

or

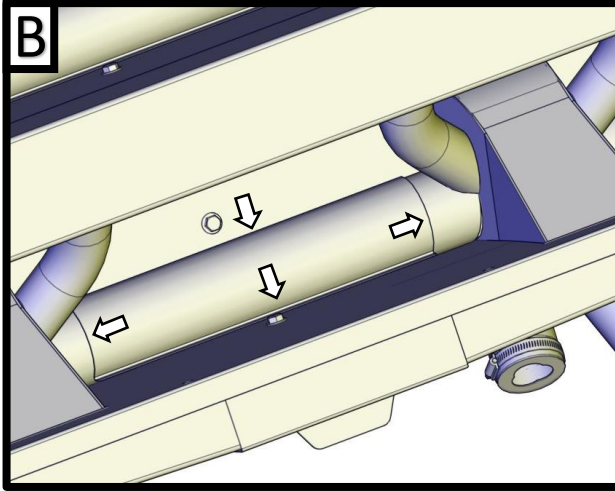
K002238 - Kit - Row Reducer
Gen I 16 Row to 12 Row STD Meter (Inside)

Item No.	Qty	Part Number	Description
1	2	M000147	Row Reducer (8 Row - STD Center)
2	4	M000178	Cap - 2" Orange w/Hole
3	4	P000240	Hose Clamp - 2" S/S

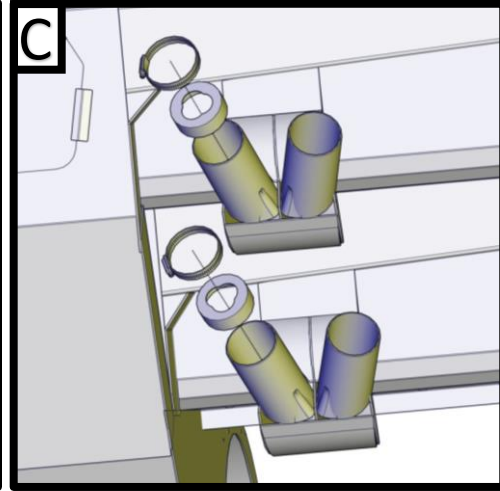
16 ROW TO 12 ROW (INSIDE) REDUCER INSTALLATION GUIDE



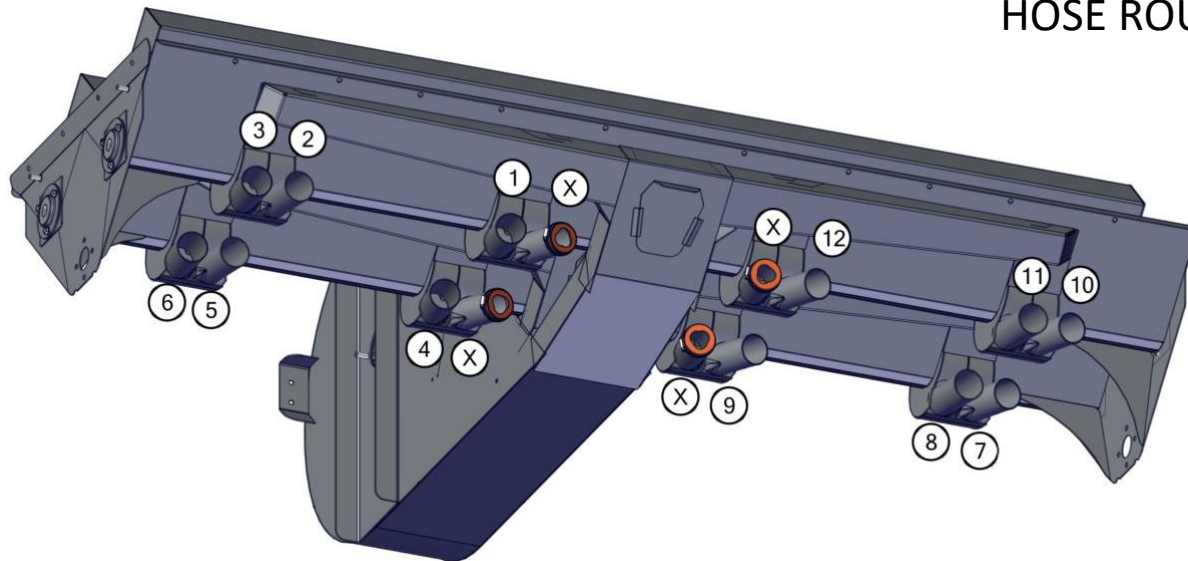
APPLY SILICONE TO TOP OF AUGER COVER (ARROW 1). CENTER AND SNAP THE REDUCER DOWN OVER THE COVER.



WITH THE REDUCER SECURELY IN PLACE, SEAL EACH EDGE WITH SILICONE. REPEAT FOR EACH REDUCER.



SLIDE CAPS OVER ALL BLOCKED ROW OUTLET TUBES. SECURE EACH ONE WITH A HOSE CLAMP.



HOSE ROUTING AS SHOWN