



MONTAG MFG.

JD 2660 VT - 2108

PARTS MANUAL
MODEL YEARS 2020-2023



Before you start:

- Read this manual fully before installation.
- 30 cu. ft. tank requires 340 Michelin tire option or greater. 50 cu. ft. tank requires 440 Goodyear tire option.
- Designed and approved for use only on JD 2660 VT 30'3" and 25'5" implements.
- VTs without hydraulic wing control option will also require K002459 hose kit.
- When torquing u-bolts and mounting plates, the initial tightening should snug each equally so that equal threads are showing on each side of the u-bolt or plate. Alternately torque each nut in increments of 25% of final torque until final torque is achieved. No lubrication should be used when using recommended torque specs.
- Tighten all hardware to specified torques. Check tightness of all bolts, u-bolts, and cap screws after first 10-15 hrs. of operation. Check tightness of all hardware periodically.
- 2660 machines S/N: 801001 and later may need additional BF12352 harness kit from JD to run w/ JD Dry Rate controller

Color coded parts are denoted in this guide by “__” following the p/n. When ordering replacement parts, color coded parts need to be ordered w/ their corresponding color suffix. The following is a list of color codes:

AA = Black Paint
ZZ = Gray Poly
ZY = Yellow Poly
ZX = White Poly

For example, when ordering a M003467__ in black, you would order M003467AA at time of ordering. Failure to add the color code may result in getting an unpainted part, rather than a painted one.

TABLE OF CONTENTS

JD 2660 VT - 2108 INSTALLATION GUIDE

LIST OF PARTS.....	04-05
SECTIONS OVERVIEW.....	06-07
30' and 25' Complete Kits.....	08-09
2108 Unit mounting – 30'.....	10-11
2108 Unit mounting – 25'.....	12-13
Platform.....	14-15
Platform Mounting.....	16-17
Platform Step Orientation and Installation.....	18-19
Platform Railings.....	20-21
Platform Ladder.....	22-23
Air Gauge.....	24-25
Swing Arms.....	26-27
Drop Mount Tubes.....	28-29
Broadcasters.....	30-32
Hose Routing - Hose Lengths.....	33
Hose Routing.....	34-39
Hose Connections.....	40-41
50 Cu.Ft. Tank and Wing Stops.....	42-43
Hydraulic Hoses and Connections.....	44-46

LIST OF ALL PARTS INCLUDED IN K002456 - Kit - 2660 VT 30' Complete

Item #	Part	Description	Qty	Item #	Part	Description	Qty
1	K002344AA	Kit - JD 2660VT 2108 Mount	1	3	K002357	Kit - JD 2660 VT Hydraulic Hose	1
1.1	M003467AA	Plate - JD 2660 VT Rear Mount Frame	2	3.1	P000411	Fitting - Hyd - M Pioneer Tip (1/2" body) Poppet Style x #8 F O-ring	2
1.2	K002519	Kit - JD 2660VT 2108 Mount Hardware (w/U-bolts)	1	3.2	P000555	Fitting - Hydra-Grip Gray (Retract) Half Grip	2
1.3	W002706AA	Mount - JD 2660VT Rear	1	3.3	P000556	Fitting - Hydra-Grip Gray (Extend) Half Grip	1
1.4	W002707AA	Mount - JD 2660VT Side	2	3.4	P000557	Fitting - Hydra-Grip Red (Extend) Half Grip	1
1.5	W002708AA	Mount - JD 2660VT Auxiliary Rear	1	3.5	P000558	Fitting - Hydra-Grip Core #8 O-Ring	2
2	K002350AA	Kit - 2660 VT 16 Row Broadcast	1	3.6	P000559	Fitting - Hydra-Grip S/S Screws	8
2.1	A002504AA	Assembly - 2660 VT Swing Arm Hose Guides	2	3.7	P000561	Hose - Hydraulic 1/2" x 27' (#12 Female JIC Swivel x #8 Male O-ring)	2
2.2	A002549	Assembly - InfinAdjust Broadcaster	16	3.8	P003060	Hose - Hydraulic 1/2" x 115" (#8 F JIC x #8 F JIC)	1
2.3	K002516AA	Kit - JD 2660 VT Drop Mount Tubes	1	3.9	P003061	Fitting - Hyd - 1=#8 M O-Ring, 2&3=#8 F O-Ring Tee	1
2.4	K002521	Kit - JD 2660 VT Broadcaster Mount Hardware (w/U-bolts)	1	3.10	P003129	Fitting - Hyd - #8 M O-Ring x #8 M JIC Straight In Line Check Valve	1
2.5	M002917	Tube - 1-1/2" - Drop 80°	16	4	K002490AA	Kit - JD 2660 VT 30' Platform Complete	1
2.6	M003481AA	Plate - 2660 VT Broadcaster Tube Wingframe Mount	6	4.1	A002473AA	Platform - Deck (18" x 24") w/ Anti-Slip Tape	4
2.7	M003483AA	Plate - 1-1/2" Drop Tube Clamp Mount x 1" Tube	16	4.2	A002555AA	Platform - Deck (18" x 12") w/ Anti-Slip Tape	1
2.8	M003682	Hose - Air Gauge Fan Tube (180"")	1	4.3	K002370AA	Platform - 2X08 Platform Bolt-On Ladder Complete	1
2.9	P000238	Hose Clamp - 1-1/2" S/S	33	4.4	K002491AA	Kit - JD 2660 VT 30' Platform Hardware	1
2.10	P000240	Hose Clamp - 2" S/S	17	4.5	M003467AA	Plate - JD 2660 VT Rear Mount Frame	1
2.11	P002774	Hose - 2" Air PVC Black	1	4.6	M003683AA	Bracket - 2660 VT Rail Corner Brace (30°)	1
2.12	P002804	Decal - Row Label "A" (4X)	2	4.7	M003685AA	Bracket - 2660 VT Rail Corner Brace (90°)	1
2.13	P002805	Decal - Row Label "B" (4X)	2	4.8	P000298	U-Bolt - 3/4" x 6-1/8" x 8"	2
2.14	P002815	Decal - Row Label "C" (4X)	2	4.9	W002745AA	Rail - 2X08 Hand	2
2.15	P002816	Decal - Row Label "D" (4X)	2	4.10	W002763AA	Rail - JD 2660 VT 30' Platform Angled	1
2.16	P002817	Decal - Row Label "E" (4X)	2	4.11	W002764AA	Platform - JD 2660 VT 30' Lower Riser	1
2.17	P002818	Decal - Row Label "F" (4X)	2	4.12	W002765AA	Platform - JD 2660 VT 30' Upper Riser	1
2.18	P002819	Decal - Row Label "G" (4X)	2	5	P003124	Document - John Deere 2660VT 30' - 2108 Installation Guide	1
2.19	P002820	Decal - Row Label "H" (4X)	2				
2.20	P002874	Cable Tie - 24" x 80# Black (20 Pack)	1				
2.21	P002875	Cable Tie - 15" x 50# Black (20 Pack)	2				
2.22	P003057	Hose - 1-1/2" Air PVC Black	1				
2.23	P003124	P003124 - Document - John Deere 2660 VT - 2108 Installation Guide	1				
2.24	W002038	Splitter - 2" x 1.5" x 1.5"	8				

LIST OF ALL PARTS INCLUDED IN K002559 - Kit - 2660VT 25' Complete

Item #	Part	Description	Qty	Item #	Part	Description	Qty
1	K002560AA	Kit - JD 2660VT 25' 2108 Mount	1	3	K002357	Kit - JD 2660VT Hydraulic Hose	1
1.1	M003467AA	Plate - JD 2660VT Rear Mount Frame	2	3.1	P000411	Fitting - Hyd - M Pioneer Tip (1/2" body) Poppet Style x #8 F O-ring	2
1.2	K002624	Kit - JD 2660VT 25' 2108 Mount Hardware (w/U-bolts)	1	3.2	P000555	Fitting - Hydra-Grip Gray (Retract) Half Grip	2
1.3	W002706AA	Mount - JD 2660VT Rear	1	3.3	P000556	Fitting - Hydra-Grip Gray (Extend) Half Grip	1
1.5	W002708AA	Mount - JD 2660VT Auxiliary Rear	1	3.4	P000557	Fitting - Hydra-Grip Red (Extend) Half Grip	1
1.4	W002802AA	Mount - JD 2660VT 25' Side	2	3.5	P000558	Fitting - Hydra-Grip Core #8 O-Ring	2
2	K002350AA	Kit - 2660VT 16 Row Broadcast	1	3.6	P000559	Fitting - Hydra-Grip S/S Screws	8
2.1	A002504AA	Assembly - 2660VT Swing Arm Hose Guides	2	3.7	P000561	Hose - Hydraulic 1/2" x 27' (#12 Female JIC Swivel x #8 Male O-ring)	2
2.2	A002549	Assembly - InfinAdjust Broadcaster	16	3.8	P003060	Hose - Hydraulic 1/2" x 115" (#8 F JIC x #8 F JIC)	1
2.3	K002516AA	Kit - JD 2660VT Drop Mount Tubes	1	3.9	P003061	Fitting - Hyd - 1=#8 M O-Ring, 2&3=#8 F O-Ring Tee	1
2.4	K002521	Kit - JD 2660VT Broadcaster Mount Hardware (w/U-bolts)	1	3.10	P003129	Fitting - Hyd - #8 M O-Ring x #8 M JIC Straight In Line Check Valve	1
2.5	M002917	Tube - 1-1/2" - Drop 80°	16	4	K002490AA	Kit - JD 2660 VT 30' Platform Complete	1
2.6	M003481AA	Plate - 2660VT Broadcaster Tube Wingframe Mount	6	4.1	A002473AA	Platform - Deck (18" x 24") w/ Anti-Slip Tape	4
2.7	M003483AA	Plate - 1-1/2" Drop Tube Clamp Mount x 1" Tube	16	4.2	A002555AA	Platform - Deck (18" x 12") w/ Anti-Slip Tape	1
2.8	M003682	Hose - Air Gauge Fan Tube (180")	1	4.3	K002370AA	Platform - 2X08 Platform Bolt-On Ladder Complete	1
2.9	P000238	Hose Clamp - 1-1/2" S/S	33	4.4	K002491AA	Kit - JD 2660 VT 30' Platform Hardware	1
2.10	P000240	Hose Clamp - 2" S/S	17	4.5	M003467AA	Plate - JD 2660 VT Rear Mount Frame	1
2.11	P002774	Hose - 2" Air PVC Black	1	4.6	M003683AA	Bracket - 2660 VT Rail Corner Brace (30°)	1
2.12	P002804	Decal - Row Label "A" (4X)	2	4.7	M003685AA	Bracket - 2660 VT Rail Corner Brace (90°)	1
2.13	P002805	Decal - Row Label "B" (4X)	2	4.8	P000298	U-Bolt - 3/4" x 6-1/8" x 8"	2
2.14	P002815	Decal - Row Label "C" (4X)	2	4.9	W002745AA	Rail - 2X08 Hand	2
2.15	P002816	Decal - Row Label "D" (4X)	2	4.10	W002763AA	Rail - JD 2660 VT 30' Platform Angled	1
2.16	P002817	Decal - Row Label "E" (4X)	2	4.11	W002764AA	Platform - JD 2660 VT 30' Lower Riser	1
2.17	P002818	Decal - Row Label "F" (4X)	2	4.12	W002765AA	Platform - JD 2660 VT 30' Upper Riser	1
2.18	P002819	Decal - Row Label "G" (4X)	2	5	M003467	Plate - JD 2660 VT Rear Mount Frame	1
2.19	P002820	Decal - Row Label "H" (4X)	2	6	M004421	Spacer - 2660 VT 25' Swing Arm Hose Guide	2
2.20	P002874	Cable Tie - 24" x 80# Black (20 Pack)	1	7	P003262	Document - John Deere 2660VT 25' - 2108 Installation Guide	1
2.21	P002875	Cable Tie - 15" x 50# Black (20 Pack)	2	8	P003684	Bolt - 5/16-18 x 1.5 x 0.875 Carriage (GR 5 M/S FA)	4
2.22	P003057	Hose - 1-1/2" Air PVC Black	1	9	W002818AA	Wing Stop - JD 2660 VT (25')	2
2.23	P003124	P003124 - Document - John Deere 2660VT - 2108 Installation Guide	1				
2.24	W002038	Splitter - 2" x 1.5" x 1.5"	8				

P/N's followed by " _ _ " are color coded parts.

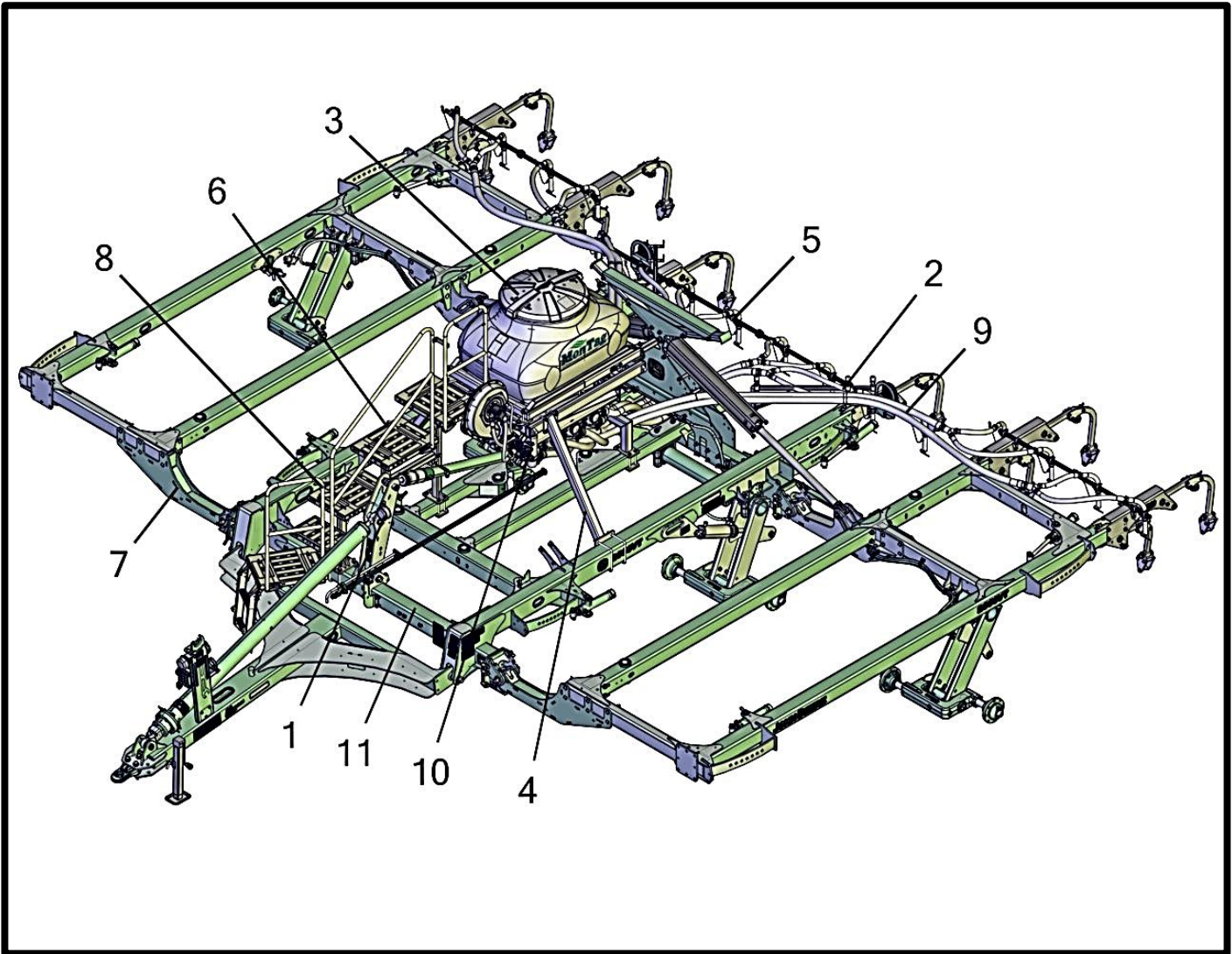
Color codes: AA = Black Paint, ZZ = Gray, ZY = Yellow, ZX = White

See inside front cover for details.

12/05/2023 - REV. A

MY: 2020-2023

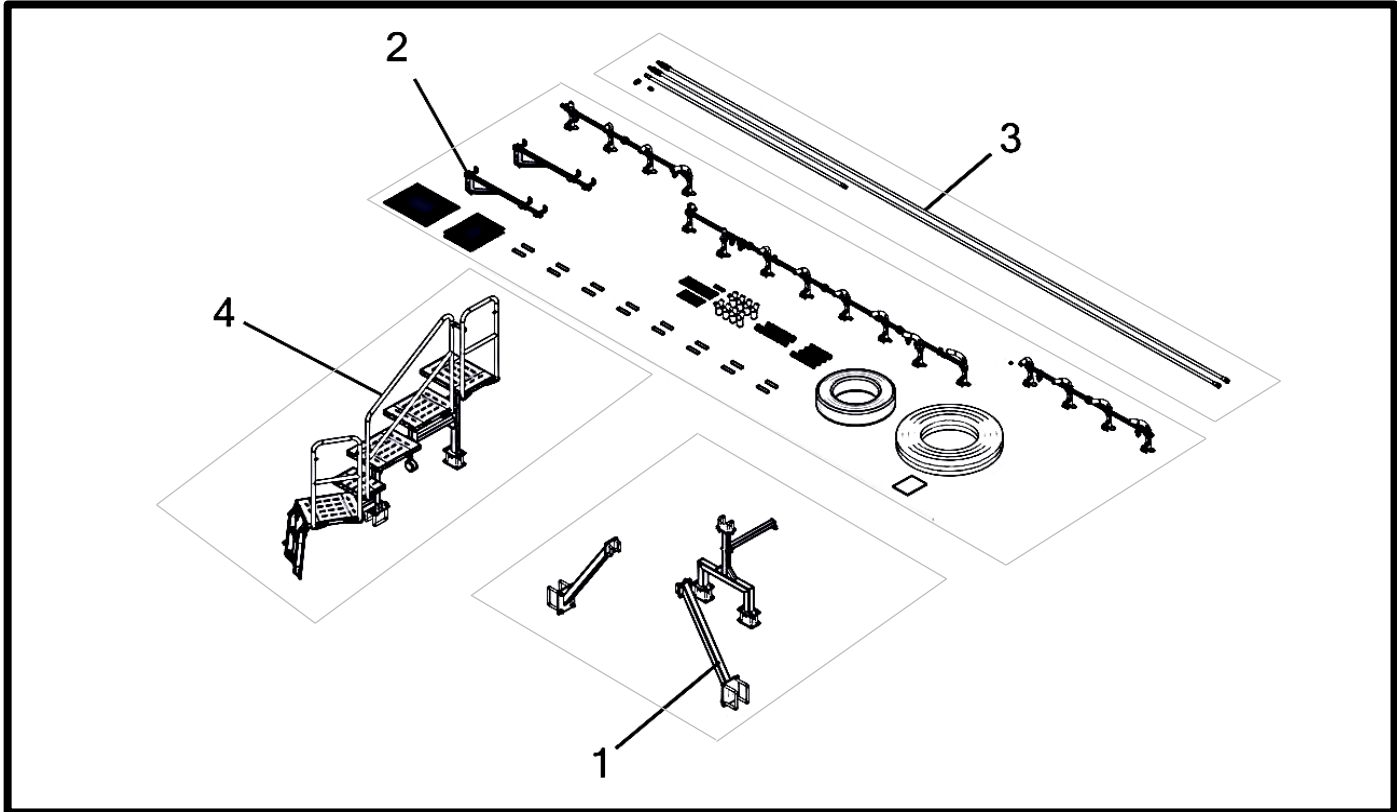
OVERVIEW



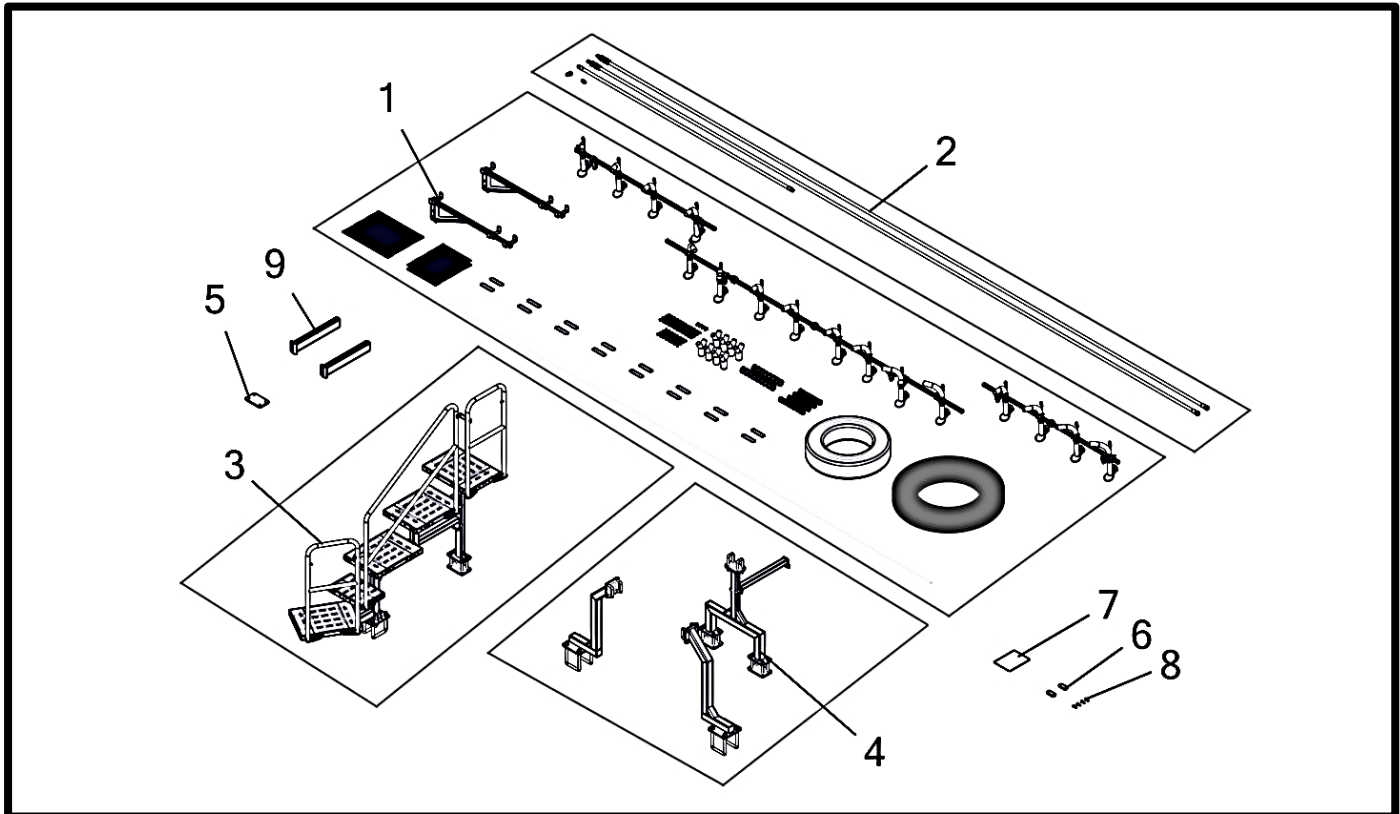
OVERVIEW

Item No.	Description	Page
1	Air Gauge	24-25
2	Swing Arms	26-27
3	Gen II 2108 - 8 Row/2"/1 Ton/1 Bin/1 Section/1 Product/Mechanical Slidegate/No Platform/ISO Scale/37-Pin Tech Package/White Tank	8-13
4	Kit - JD 2660VT 2108 Mount	8-13
5	Kit - 2660 VT 16 Row Broadcast	28-32
6	Kit - JD 2660 VT 30' Platform Complete	14-23
7	JD 2660 VT	
8	TruSet Controller	
9	Air Hoses	33-40
10	Hydraulic, Electrical Connections	44-45
11	JDRC Dry	

JD2660VT 30' KIT (K002456)



JD2660VT 25' KIT (K002559)



P/N's followed by " _ " are color coded parts.

Color codes: AA = Black Paint, ZZ = Gray, ZY = Yellow, ZX = White

See inside front cover for details.

12/05/2023 - REV. A

MY: 2020-2023

JD2660VT 30' KIT (30 CU.FT.)(K002456)

Item No.	Qty	Part Number	Description
1	1	K002344AA	Kit - JD 2660VT 30' 2108 Mount
2	1	K002350AA	Kit - 2660 VT 16 Row Broadcast
3	1	K002357	Kit - JD 2660 VT Hydraulic Hose
4	1	K002490AA	Kit - JD 2660 VT 30' Platform Complete

OR

JD2660VT 30' KIT (50. CU. FT.)(K002496)

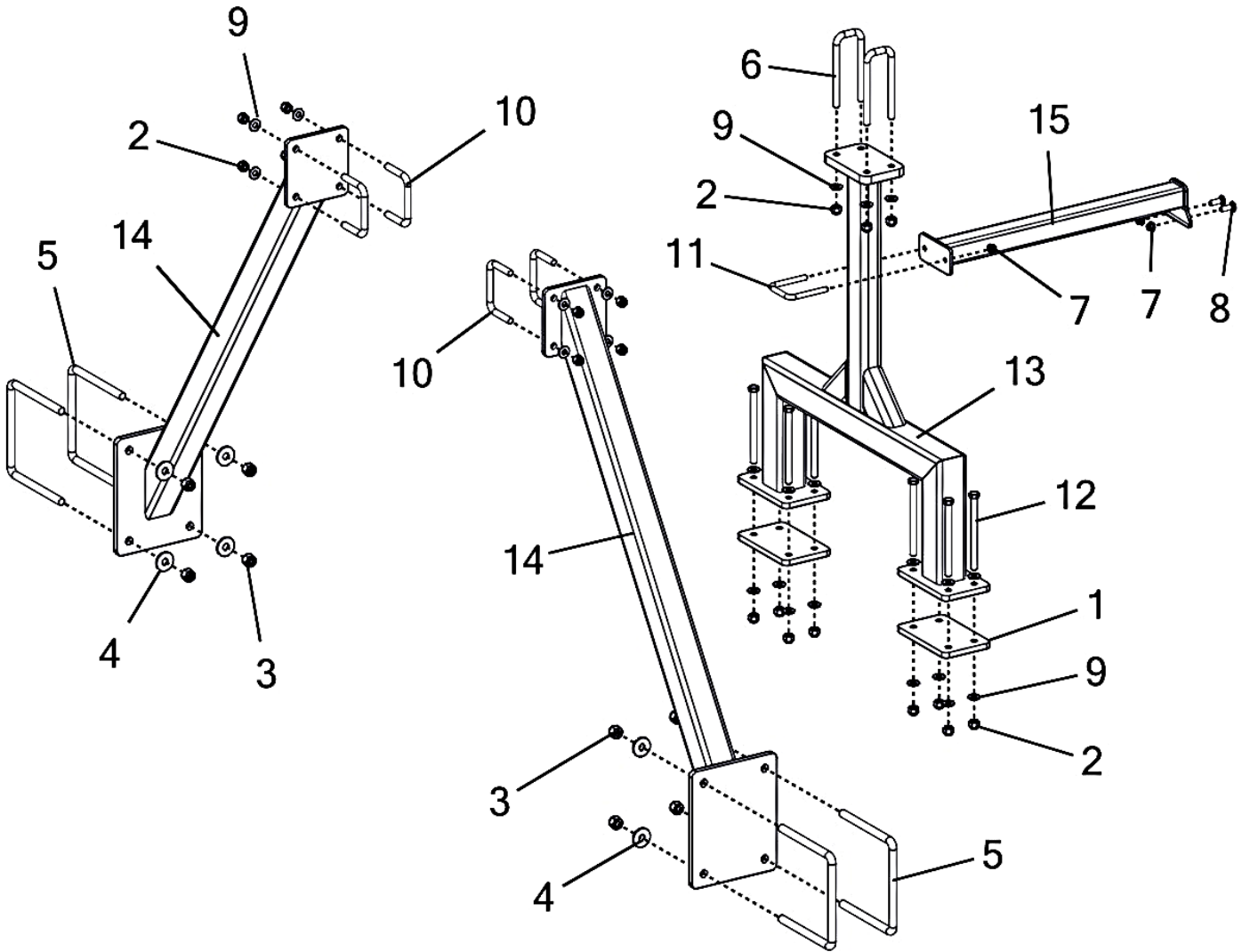
Item No.	Qty	Part Number	Description
1	1	K002344AA	Kit - JD 2660VT 30' 2108 Mount
2	1	K002350AA	Kit - 2660 VT 16 Row Broadcast
3	1	K002357	Kit - JD 2660 VT Hydraulic Hose
4	1	K002490AA	Kit - JD 2660 VT 30' Platform Complete
5	2	W002757AA	Wing Stop - JD 2660 VT

JD2660VT 25' KIT (K002559)

Item No.	Qty	Part Number	Description
1	1	K002350AA	Kit - 2660 VT 16 Row Broadcast
2	1	K002357	Kit - JD 2660 VT Hydraulic Hose
3	1	K002490AA	Kit - JD 2660 VT 30' Platform Complete
4	1	K002560AA	Kit - JD 2660VT 25' 2108 Mount
5	1	M003467AA	Plate - JD 2660 VT Rear Mount Frame
6	2	M004421AA	Spacer - 2660 VT 25' Swing Arm Hose Guide
7	1	P003262	Document - John Deere 2660VT 25' - 2108 Installation Guide
8	4	P003684	Bolt - 5/16-18 x 1.5 x 0.875 Carriage (GR 5 M/S FA)
9	2	W002818AA	Wing Stop - JD 2660 VT (25')

MOUNT

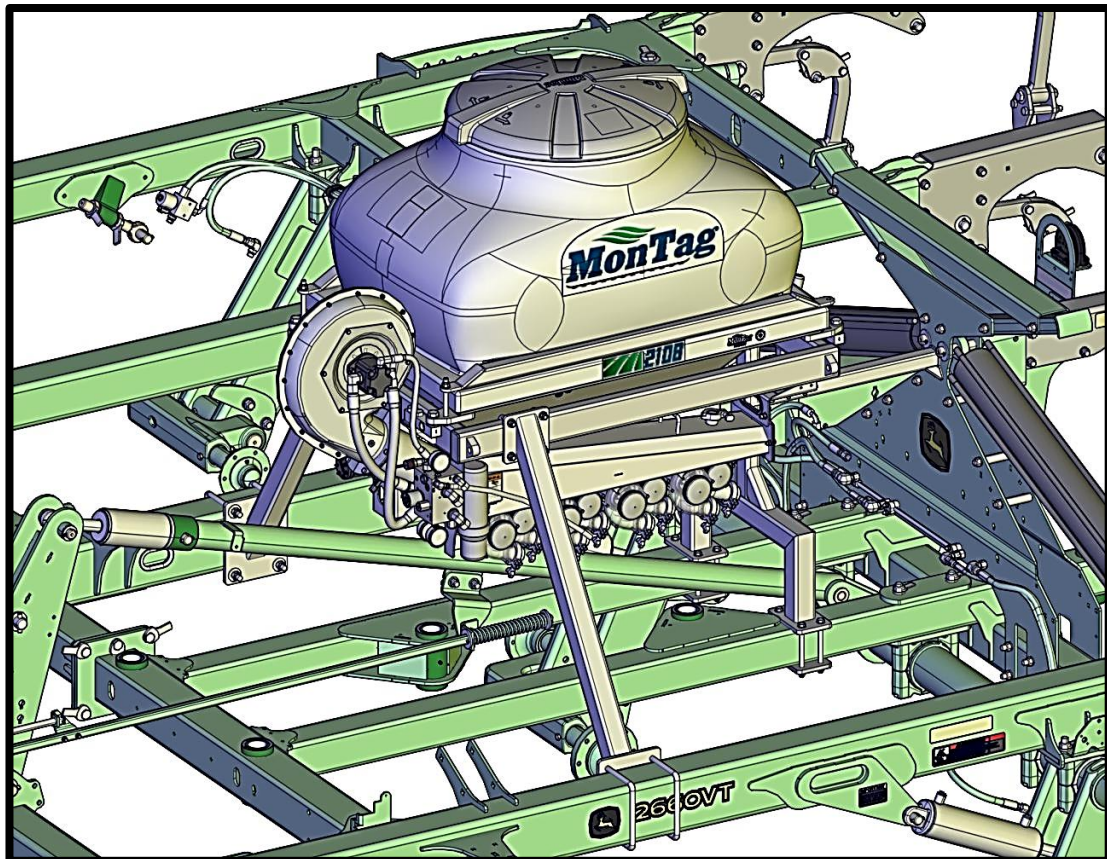
K002344AA - Kit - JD 2660VT 30' 2108 Mount



MOUNT

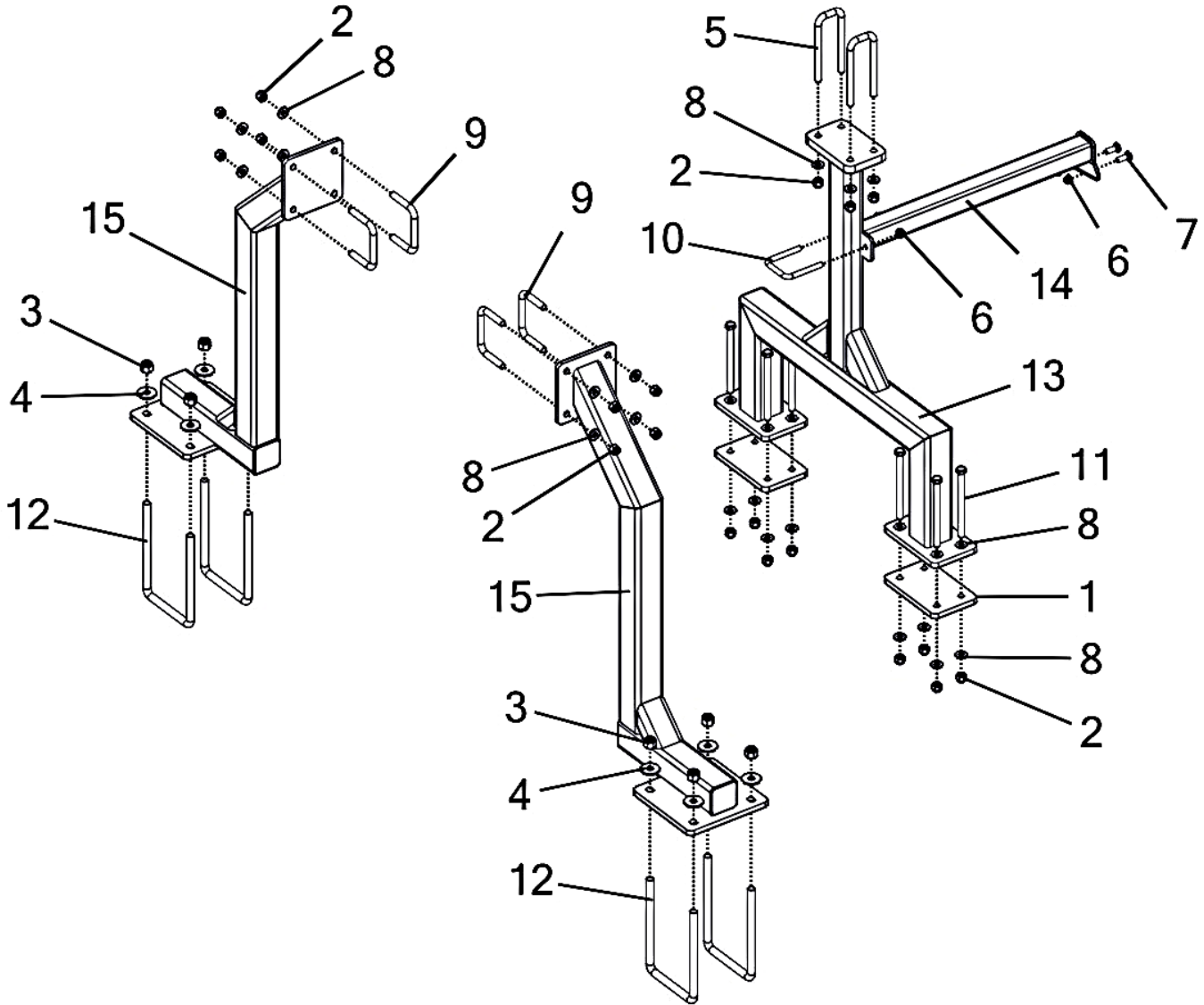
K002344AA - Kit - JD 2660VT 30' 2108 Mount

Item No.	Qty	Part Number	Description
1	2	M003467AA	Plate - JD 2660 VT Rear Mount Frame
2	20	P000058	Nut - 1/2-13 Hex Nylon Lock (GR 5 M/S FA)
3	8	P000060	Nut - 5/8-11 Hex Nylon Lock (GR 5 M/S FA)
4	8	P000068	Washer - 5/8" USS Flat (1.75" OD) (GR 5 M/S FA)
5	4	P000300	U-Bolt - 5/8" x 8-1/8" x 8"
6	2	P000608	U-Bolt - 1/2" x2" x 6-1/2"
7	4	P002205	Nut - 3/8-16 Flange Nylon Lock (GR 5 M/S FA)
8	2	P002231	Bolt - 3/8-16 x 1.25 x 1 Carriage (GR 5 M/S FA)
9	28	P002889	Washer - 1/2" SAE Flat (1.062" OD) (GR 5 M/S FA)
10	4	P002970	U-Bolt - 1/2-13 x 4-1/8 x 3-1/8 Square (GR 5 M/S FA)
11	1	P002991	U-Bolt - 3/8-16 x 3" x 3-3/4" Square (GR 5 M/S FA)
12	8	P003043	Bolt - 1/2-13 x 7 x 1.5 Hex (GR 5 M/S FA)
13	1	W002706AA	Mount - JD 2660VT Rear
14	2	W002707AA	Mount - JD 2660VT Side
15	1	W002708AA	Mount - JD 2660VT Auxiliary Rear



MOUNT

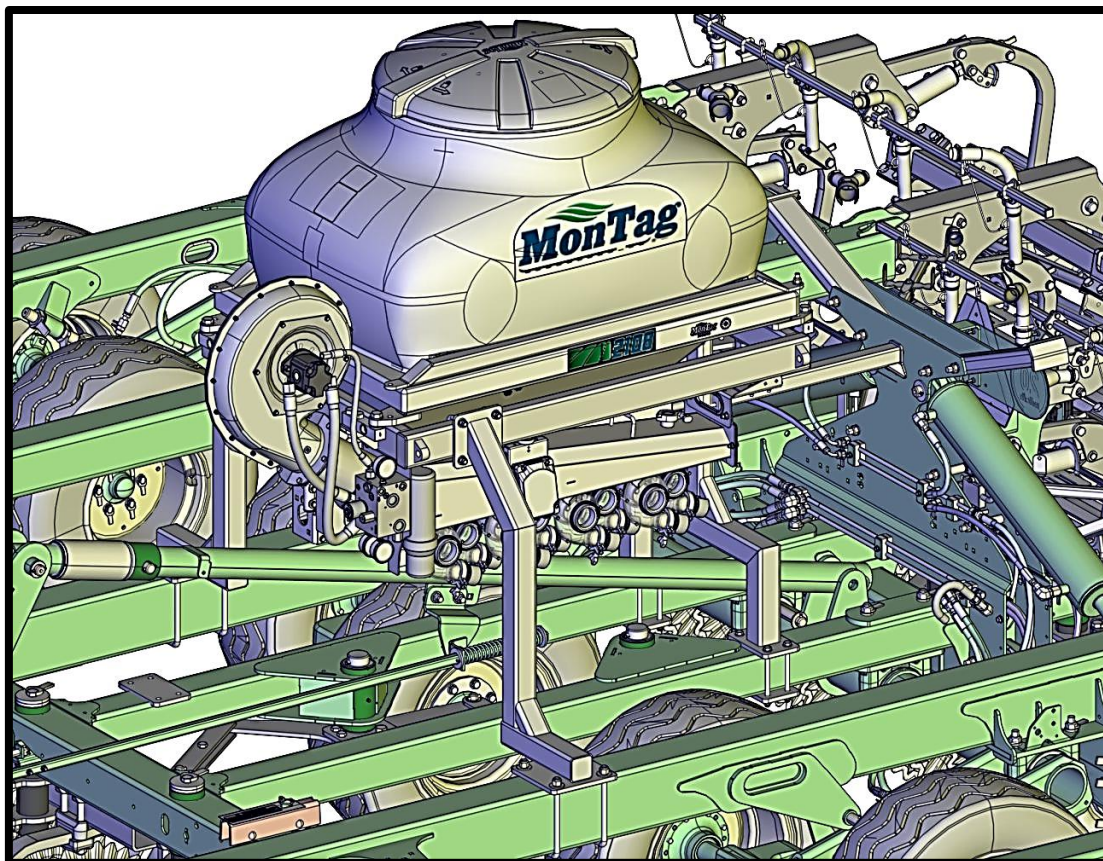
K002559AA - Kit - JD 2660VT 25' 2108 Mount



MOUNT

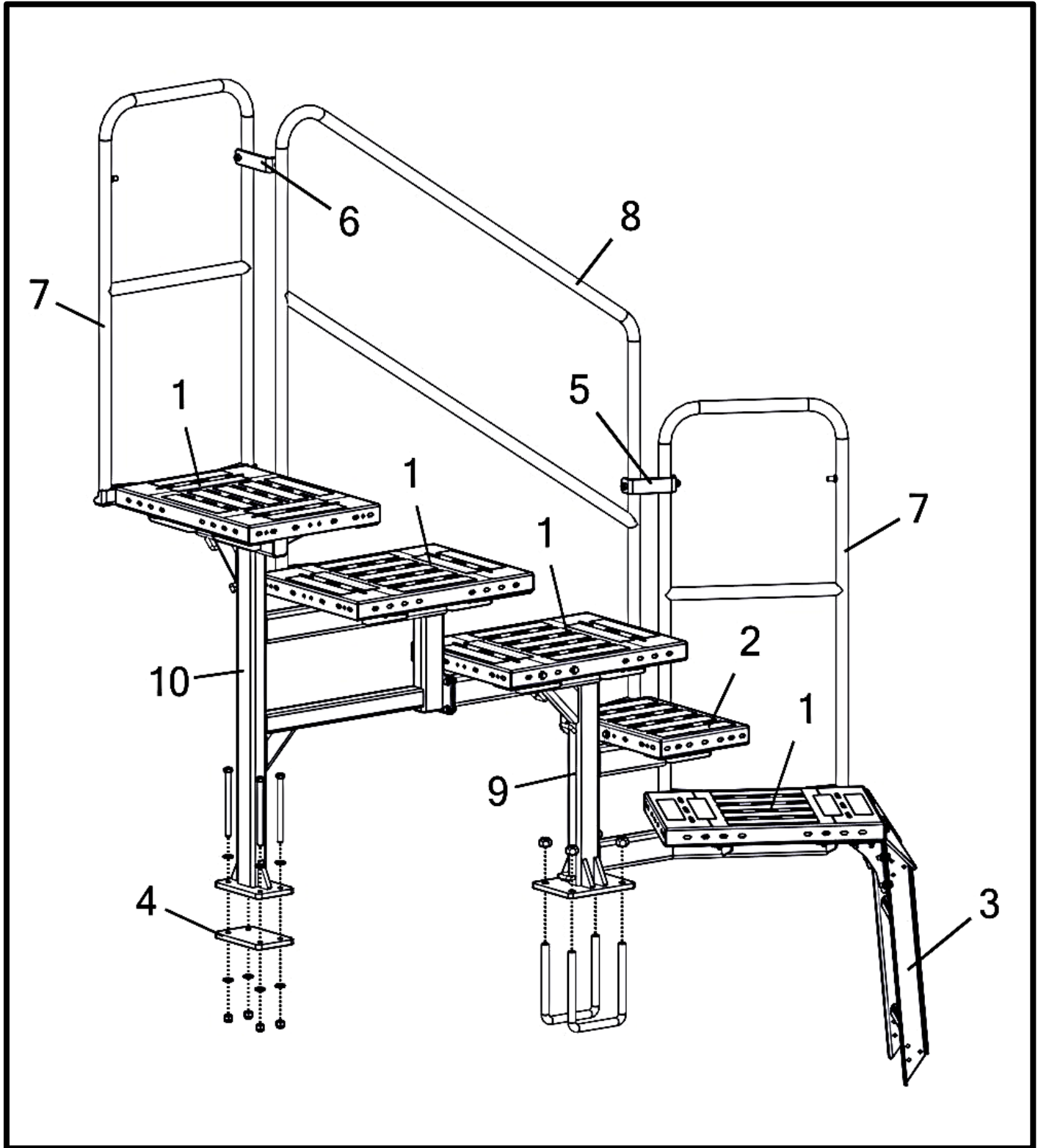
K002559AA - Kit - JD 2660VT 25' 2108 Mount

Item No.	Qty	Part Number	Description
1	2	M003467AA	Plate - JD 2660 VT Rear Mount Frame
2	20	P000058	Nut - 1/2-13 Hex Nylon Lock (GR 5 M/S FA)
3	8	P000060	Nut - 5/8-11 Hex Nylon Lock (GR 5 M/S FA)
4	8	P000068	Washer - 5/8" USS Flat (1.75" OD) (GR 5 M/S FA)
5	2	P000608	U-Bolt - 1/2" x2" x 6-1/2"
6	4	P002205	Nut - 3/8-16 Flange Nylon Lock (GR 5 M/S FA)
7	2	P002231	Bolt - 3/8-16 x 1.25 x 1 Carriage (GR 5 M/S FA)
8	28	P002889	Washer - 1/2" SAE Flat (1.062" OD) (GR 5 M/S FA)
9	4	P002970	U-Bolt - 1/2-13 x 4-1/8 x 3-1/8 Square (GR 5 M/S FA)
10	1	P002991	U-Bolt - 3/8-16 x 3" x 3-3/4" Square (GR 5 M/S FA)
11	8	P003043	Bolt - 1/2-13 x 7 x 1.5 Hex (GR 5 M/S FA)
12	4	P003189	U-Bolt - 5/8" x 6-1/8" x 9-1/2"
13	1	W002706AA	Mount - JD 2660VT Rear
14	1	W002708AA	Mount - JD 2660VT Auxiliary Rear
15	2	W002802AA	Mount - JD 2660VT 25' Side



PLATFORM

K002490AA - Kit - JD 2660 VT 30' Platform Complete

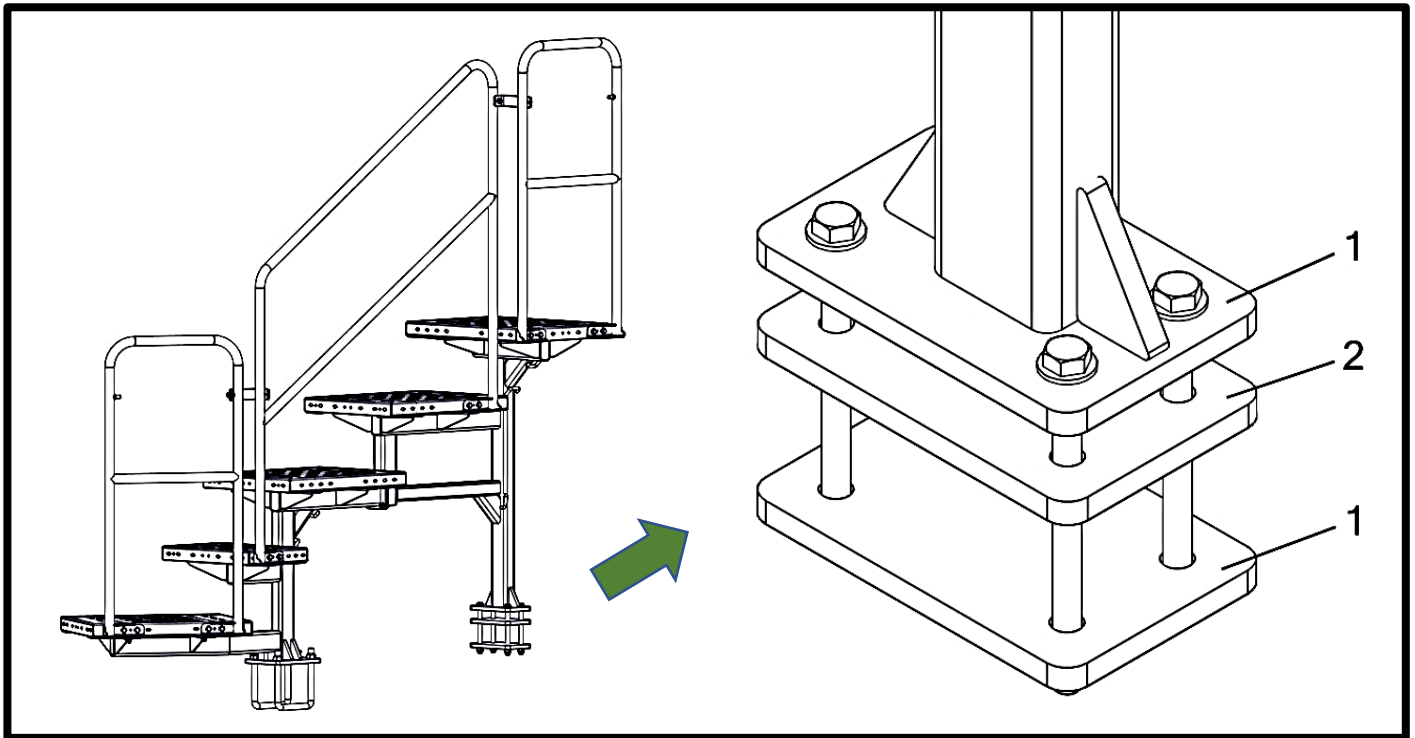


PLATFORM

K002490AA - Kit - JD 2660 VT 30' Platform Complete

Item No.	Qty	Part Number	Description
1	4	A002473AA	Platform - Deck (18" x 24") w/ Anti-Slip Tape
2	1	A002555AA	Platform - Deck (18" x 12") w/ Anti-Slip Tape
3	1	K002370AA	Platform - 2X08 Platform Bolt-On Ladder Complete
4	1	M003467AA	Plate - JD 2660 VT Rear Mount Frame
5	1	M003683AA	Bracket - 2660 VT Rail Corner Brace (30°)
6	1	M003685AA	Bracket - 2660 VT Rail Corner Brace (90°)
7	2	W002745AA	Rail - 2X08 Hand
8	1	W002763AA	Rail - JD 2660 VT 30' Platform Angled
9	1	W002764AA	Platform - JD 2660 VT 30' Lower Riser
10	1	W002765AA	Platform - JD 2660 VT 30' Upper Riser

K002567AA - Kit - 2660 VT Platform (25" Toolbar)

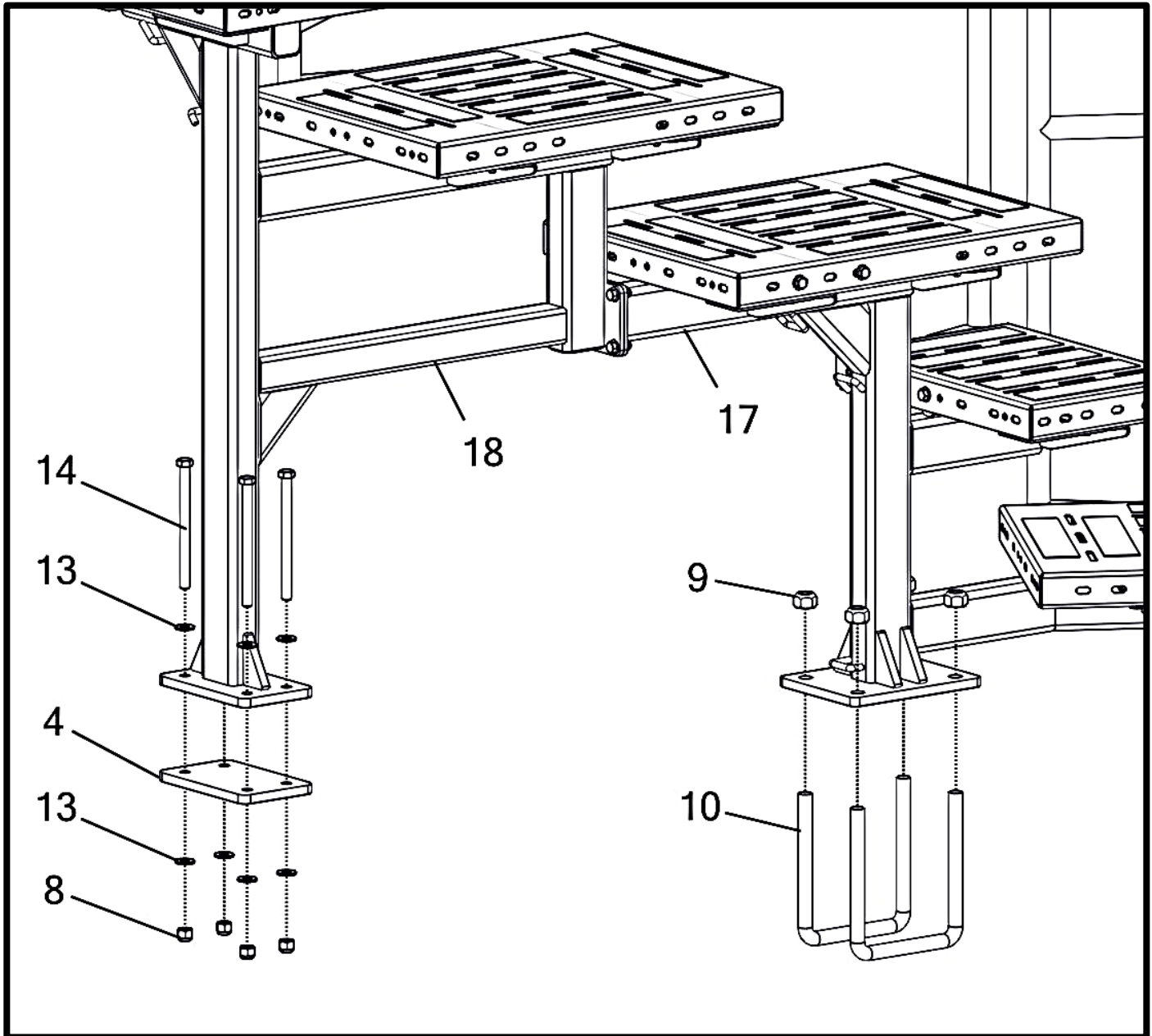


Item No.	Qty	Part Number	Description
1	1	K002490	Kit - JD 2660 VT 30' Platform Complete
2	1	M003467AA	Plate - JD 2660 VT Rear Mount Frame

(K002490 kit w/extra M003467 plate to accommodate height difference of 25' structure.)

PLATFORM - MOUNTING

K002490AA - Kit - JD 2660 VT 30' Platform Complete

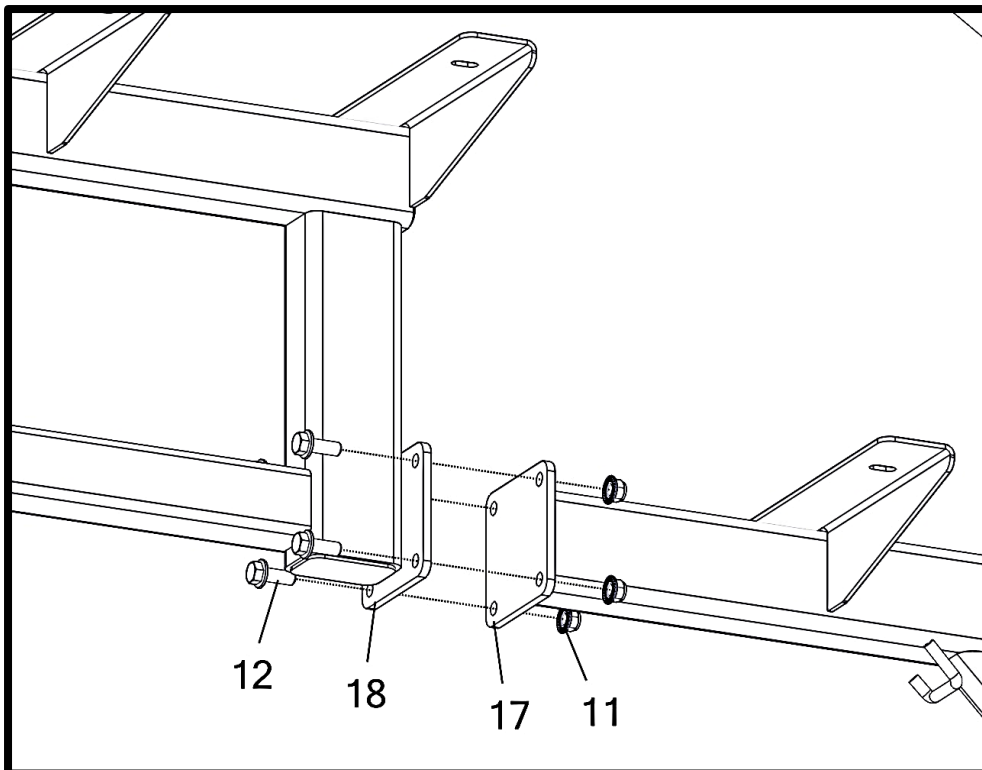


PLATFORM - MOUNTING

K002490AA - Kit - JD 2660 VT 30' Platform Complete

Item No.	Qty	Part Number	Description
1	4	A002473AA	Platform - Deck (18" x 24") w/ Anti-Slip Tape
2	1	A002555AA	Platform - Deck (18" x 12") w/ Anti-Slip Tape
3	1	K002370AA	Platform - 2X08 Platform Bolt-On Ladder Complete
4	1	M003467AA	Plate - JD 2660 VT Rear Mount Frame
5	1	M003683AA	Bracket - 2660 VT Rail Corner Brace (30°)
6	1	M003685AA	Bracket - 2660 VT Rail Corner Brace (90°)
7	4	P000057*	Nut - 3/8-16 Hex Nylon Lock (GR 5 M/S FA)
8	4	P000058*	Nut - 1/2-13 Hex Nylon Lock (GR 5 M/S FA)
9	4	P000061*	Nut - 3/4-10 Hex Metal Lock (GR 5 M/S FA)
10	2	P000298	U-Bolt - 3/4" x 6-1/8" x 8"
11	37	P002205*	Nut - 3/8-16 Flange Nylon Lock (GR 5 M/S FA)
12	37	P002472*	Bolt - 3/8-16 x 1 x 1 Flange (GR 5 M/S FA)
13	8	P002889*	Washer - 1/2" SAE Flat (1.062" OD) (GR 5 M/S FA)
14	4	P003043*	Bolt - 1/2-13 x 7 x 1.5 Hex (GR 5 M/S FA)
15	2	W002745AA	Rail - 2X08 Hand
16	1	W002763AA	Rail - JD 2660 VT 30' Platform Angled
17	1	W002764AA	Platform - JD 2660 VT 30' Lower Riser
18	1	W002765AA	Platform - JD 2660 VT 30' Upper Riser

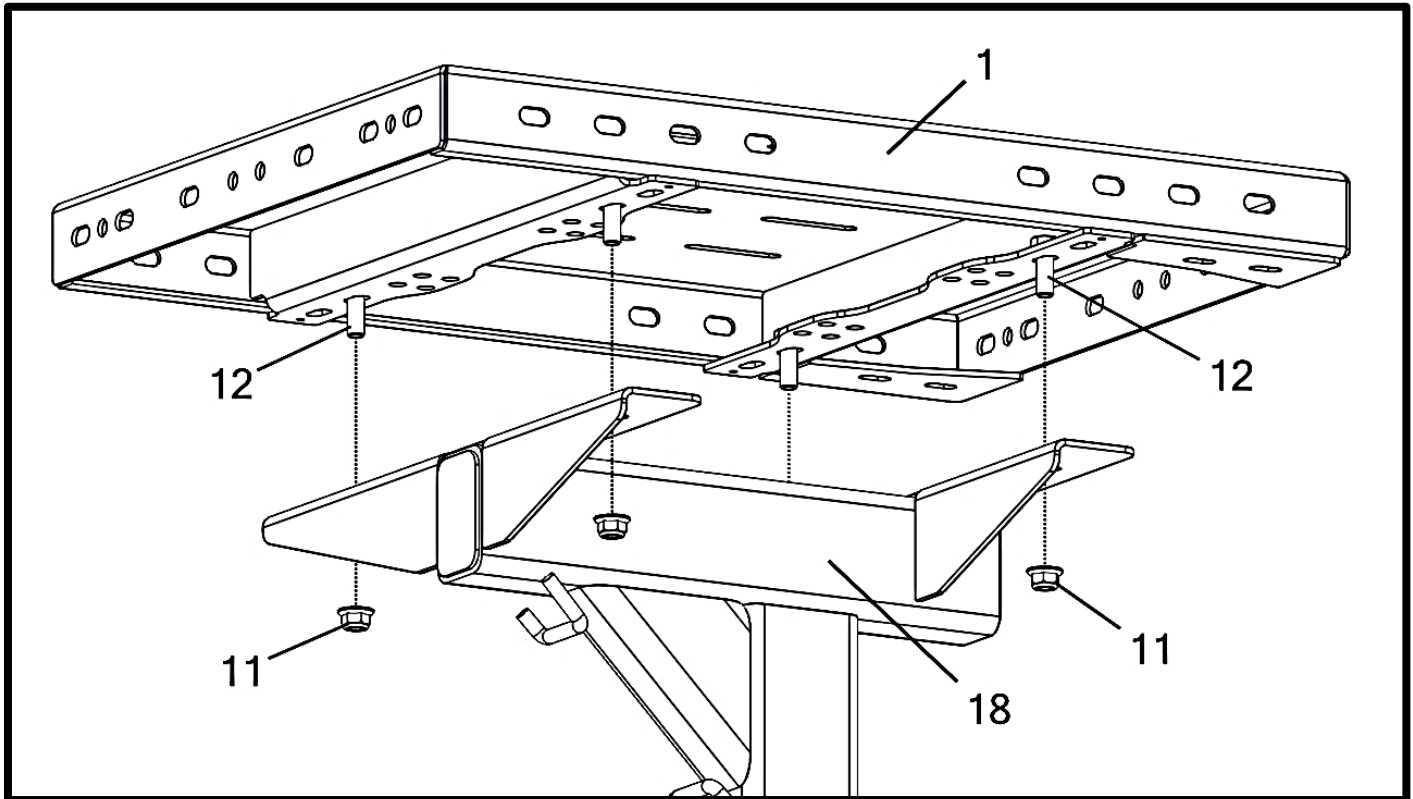
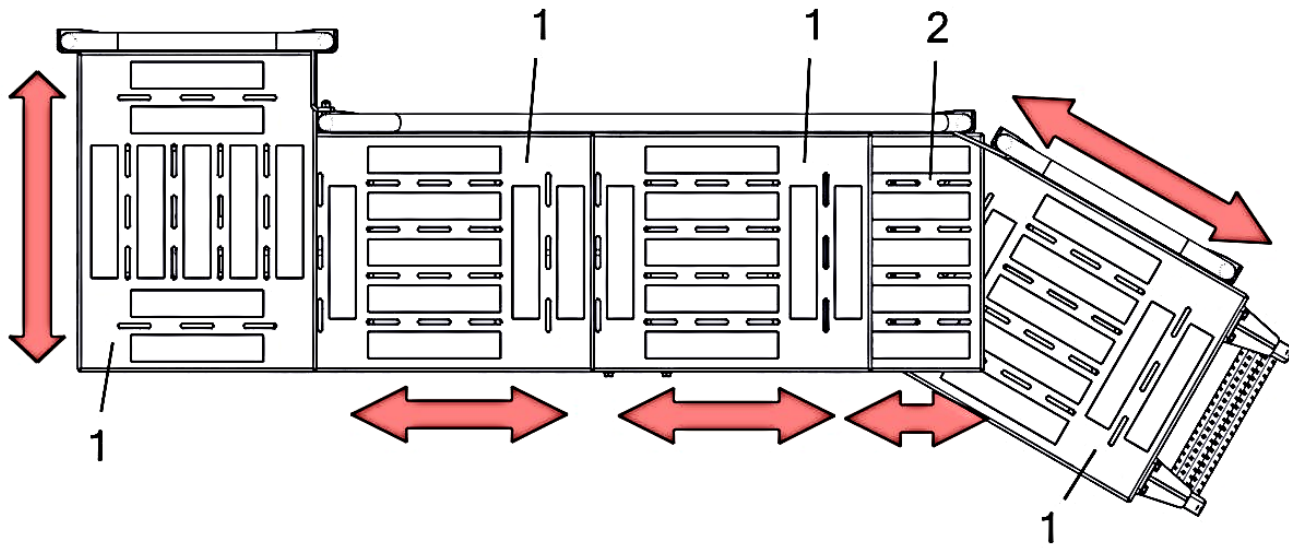
* Included In K002491 - Kit - JD 2660 VT 30' Platform Hardware



Be sure to evenly and adequately support both risers after they are joined together.

PLATFORM - STEP ORIENTATION AND INSTALLATION

K002490AA - Kit - JD 2660 VT 30' Platform Complete



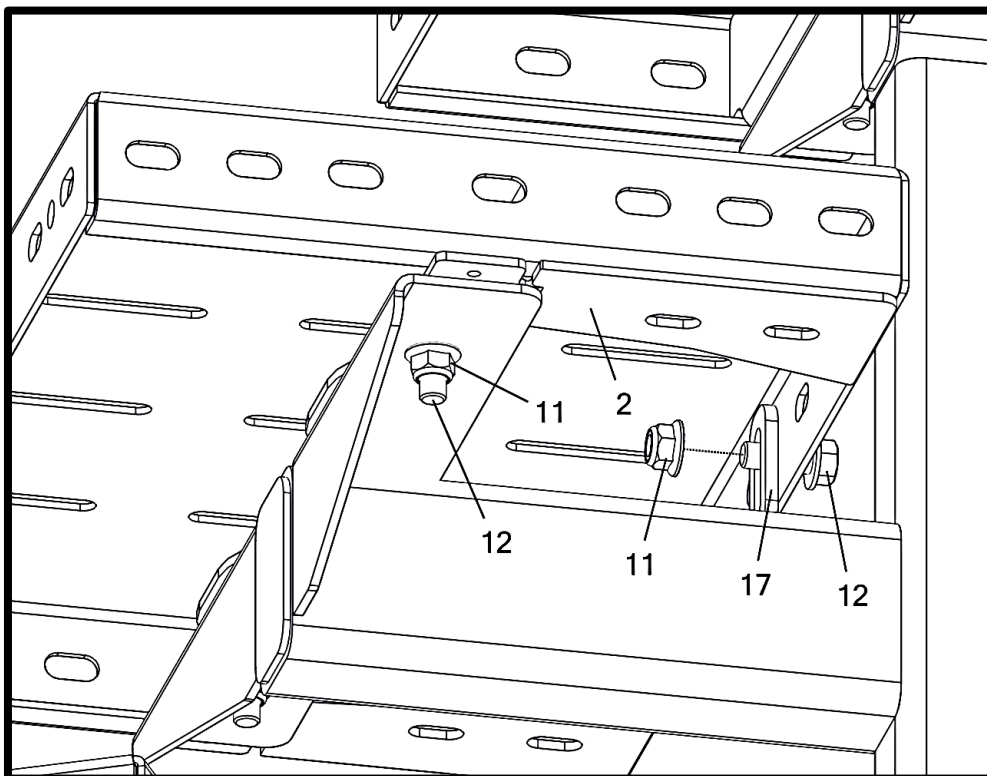
Orientate and install platform decking as shown. Torque 3/8" bolts to 37 lb-ft.

PLATFORM - STEP ORIENTATION AND INSTALLATION

K002490AA - Kit - JD 2660 VT 30' Platform Complete

Item No.	Qty	Part Number	Description
1	4	A002473AA	Platform - Deck (18" x 24") w/ Anti-Slip Tape
2	1	A002555AA	Platform - Deck (18" x 12") w/ Anti-Slip Tape
3	1	K002370AA	Platform - 2X08 Platform Bolt-On Ladder Complete
4	1	M003467AA	Plate - JD 2660 VT Rear Mount Frame
5	1	M003683AA	Bracket - 2660 VT Rail Corner Brace (30°)
6	1	M003685AA	Bracket - 2660 VT Rail Corner Brace (90°)
7	4	P000057*	Nut - 3/8-16 Hex Nylon Lock (GR 5 M/S FA)
8	4	P000058*	Nut - 1/2-13 Hex Nylon Lock (GR 5 M/S FA)
9	4	P000061*	Nut - 3/4-10 Hex Metal Lock (GR 5 M/S FA)
10	2	P000298	U-Bolt - 3/4" x 6-1/8" x 8"
11	37	P002205*	Nut - 3/8-16 Flange Nylon Lock (GR 5 M/S FA)
12	37	P002472*	Bolt - 3/8-16 x 1 x 1 Flange (GR 5 M/S FA)
13	8	P002889*	Washer - 1/2" SAE Flat (1.062" OD) (GR 5 M/S FA)
14	4	P003043*	Bolt - 1/2-13 x 7 x 1.5 Hex (GR 5 M/S FA)
15	2	W002745AA	Rail - 2X08 Hand
16	1	W002763AA	Rail - JD 2660 VT 30' Platform Angled
17	1	W002764AA	Platform - JD 2660 VT 30' Lower Riser
18	1	W002765AA	Platform - JD 2660 VT 30' Upper Riser

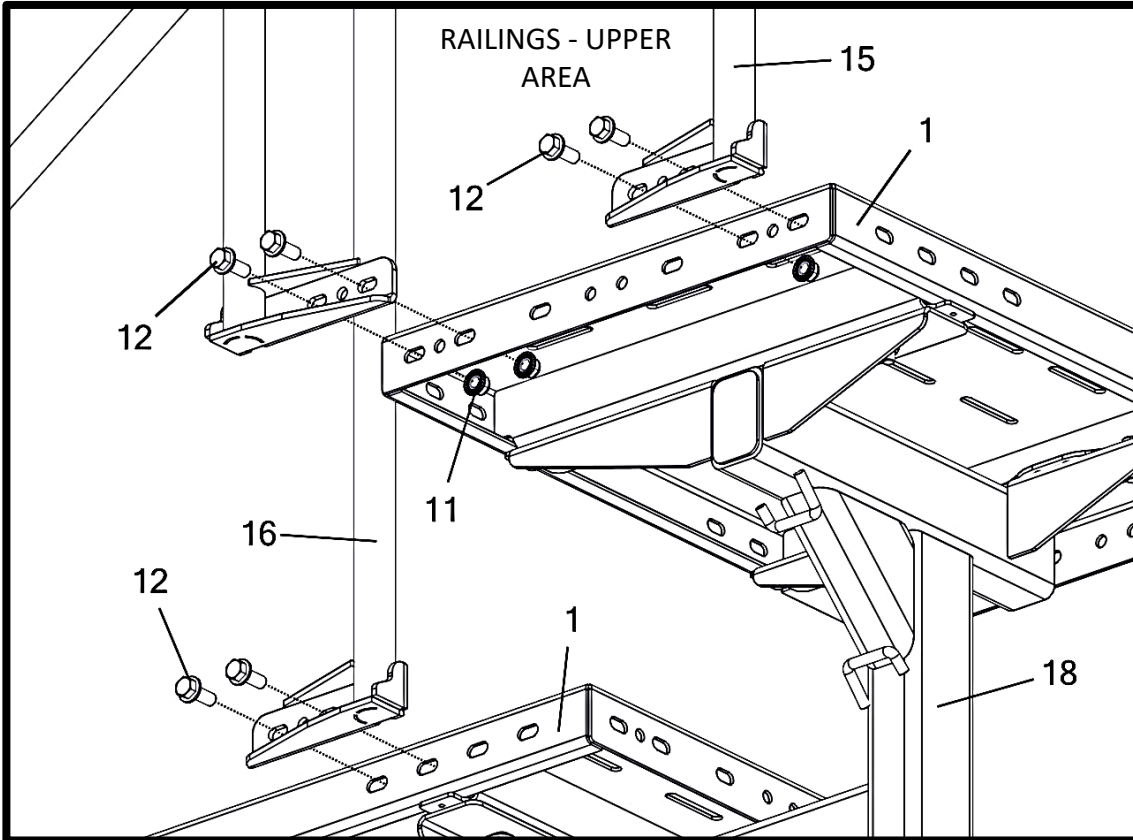
* Included In K002491 - Kit - JD 2660 VT 30' Platform Hardware



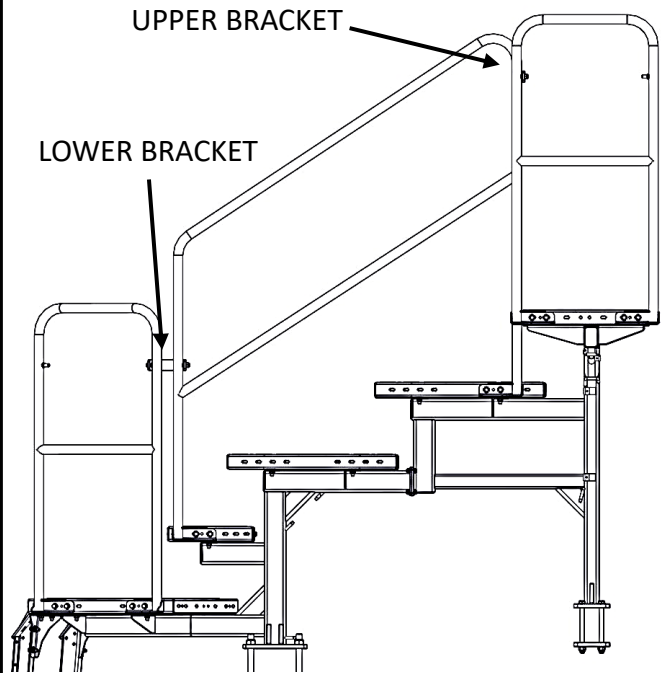
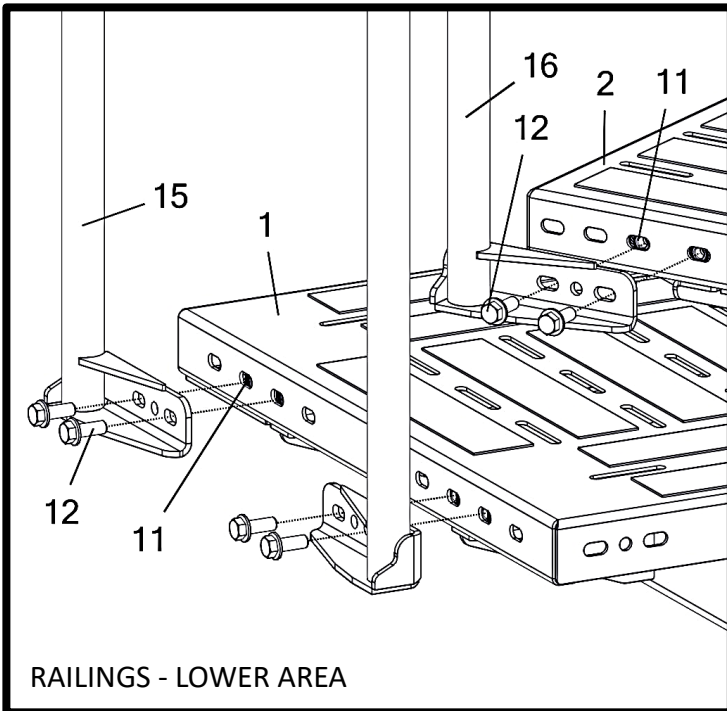
Short step - secure rear side of step to the platform structure as shown.

PLATFORM - RAILINGS

K002490AA - Kit - JD 2660 VT 30' Platform Complete



Install rails and brackets as shown. Torque all hardware to 37 ft lbs.

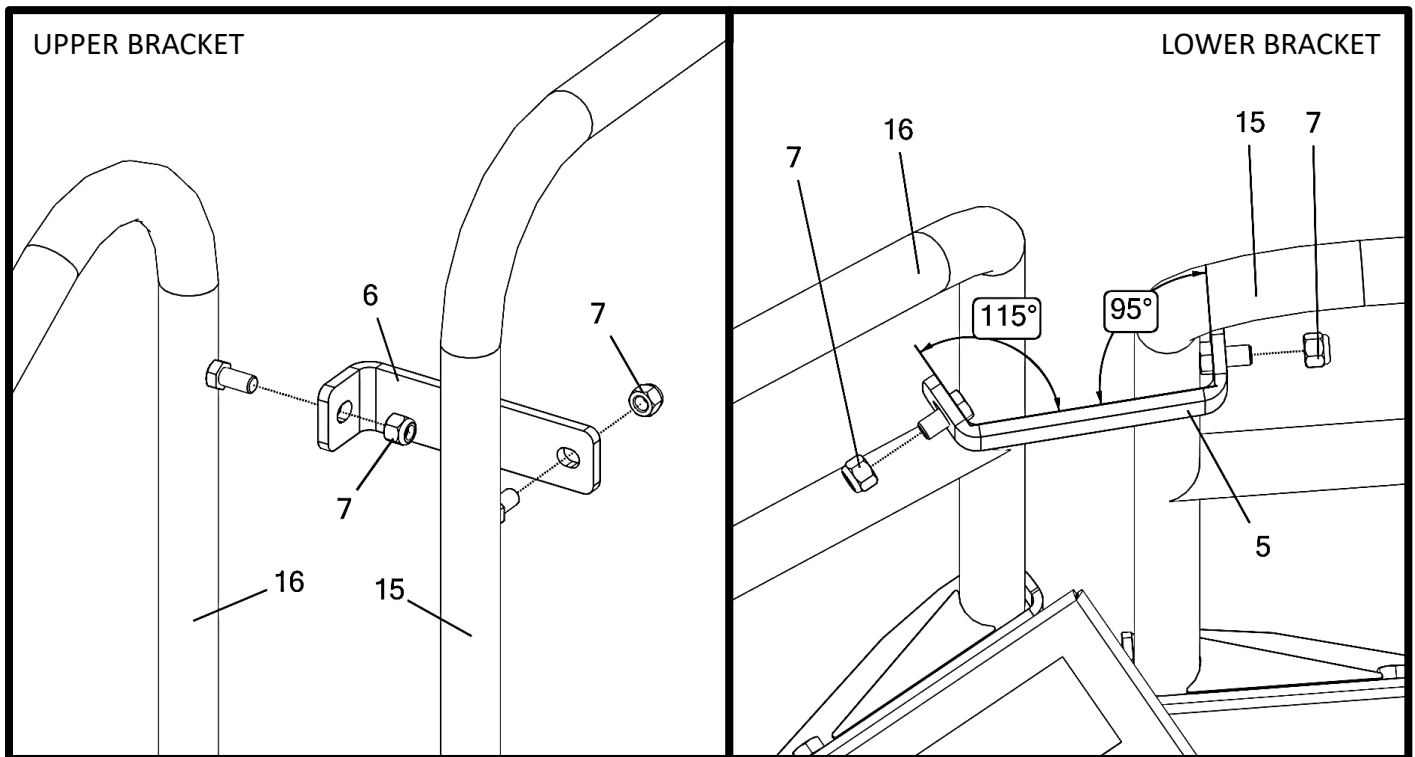


PLATFORM - RAILINGS

K002490AA - Kit - JD 2660 VT 30' Platform Complete

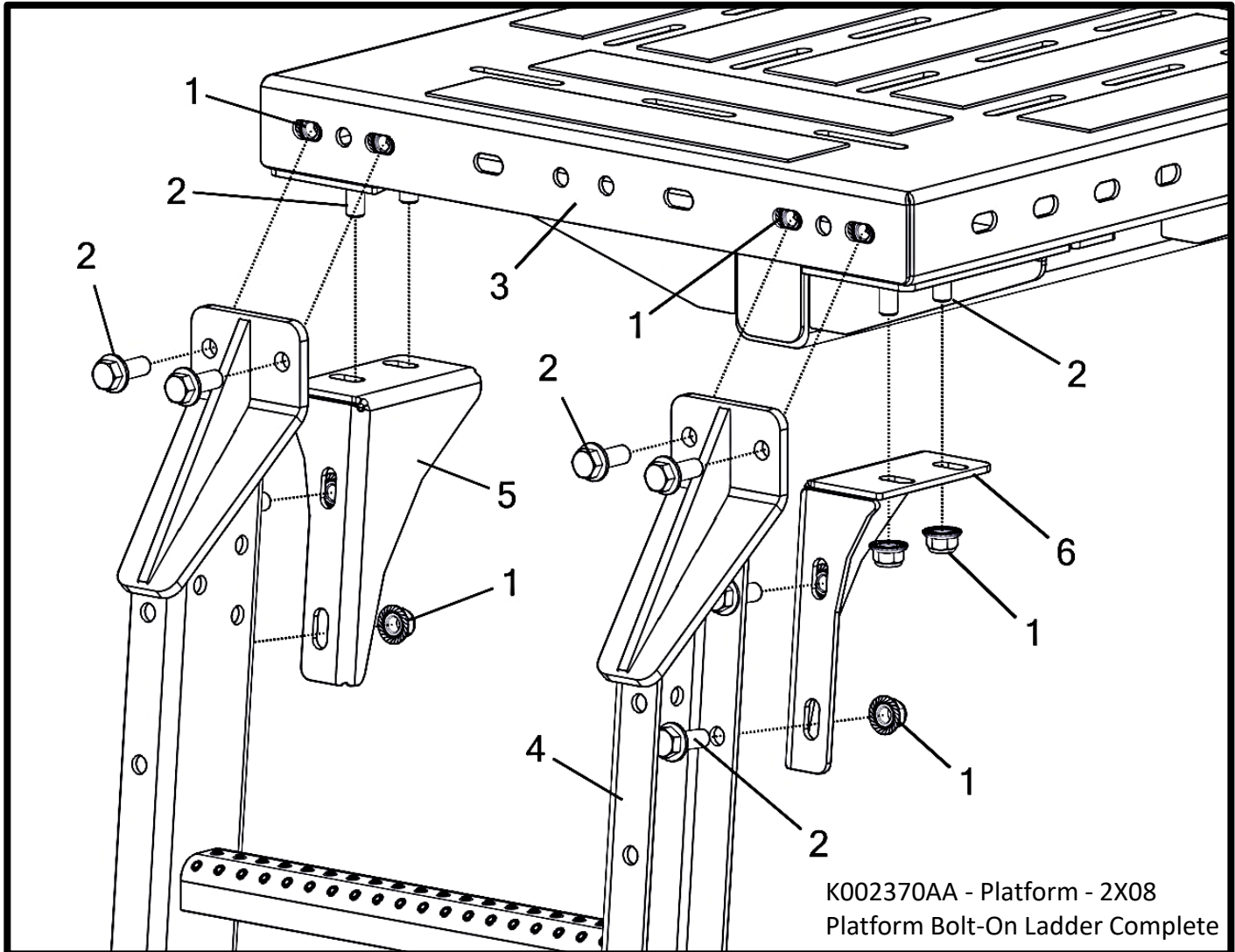
Item No.	Qty	Part Number	Description
1	4	A002473AA	Platform - Deck (18" x 24") w/ Anti-Slip Tape
2	1	A002555AA	Platform - Deck (18" x 12") w/ Anti-Slip Tape
3	1	K002370AA	Platform - 2X08 Platform Bolt-On Ladder Complete
4	1	M003467AA	Plate - JD 2660 VT Rear Mount Frame
5	1	M003683AA	Bracket - 2660 VT Rail Corner Brace (30°)
6	1	M003685AA	Bracket - 2660 VT Rail Corner Brace (90°)
7	4	P000057*	Nut - 3/8-16 Hex Nylon Lock (GR 5 M/S FA)
8	4	P000058*	Nut - 1/2-13 Hex Nylon Lock (GR 5 M/S FA)
9	4	P000061*	Nut - 3/4-10 Hex Metal Lock (GR 5 M/S FA)
10	2	P000298	U-Bolt - 3/4" x 6-1/8" x 8"
11	37	P002205*	Nut - 3/8-16 Flange Nylon Lock (GR 5 M/S FA)
12	37	P002472*	Bolt - 3/8-16 x 1 x 1 Flange (GR 5 M/S FA)
13	8	P002889*	Washer - 1/2" SAE Flat (1.062" OD) (GR 5 M/S FA)
14	4	P003043*	Bolt - 1/2-13 x 7 x 1.5 Hex (GR 5 M/S FA)
15	2	W002745AA	Rail - 2X08 Hand
16	1	W002763AA	Rail - JD 2660 VT 30' Platform Angled
17	1	W002764AA	Platform - JD 2660 VT 30' Lower Riser
18	1	W002765AA	Platform - JD 2660 VT 30' Upper Riser

* Included In K002491 - Kit - JD 2660 VT 30' Platform Hardware



PLATFORM - LADDER

K002490AA - Kit - JD 2660 VT 30' Platform Complete



K002370AA - Platform - 2X08
Platform Bolt-On Ladder Complete

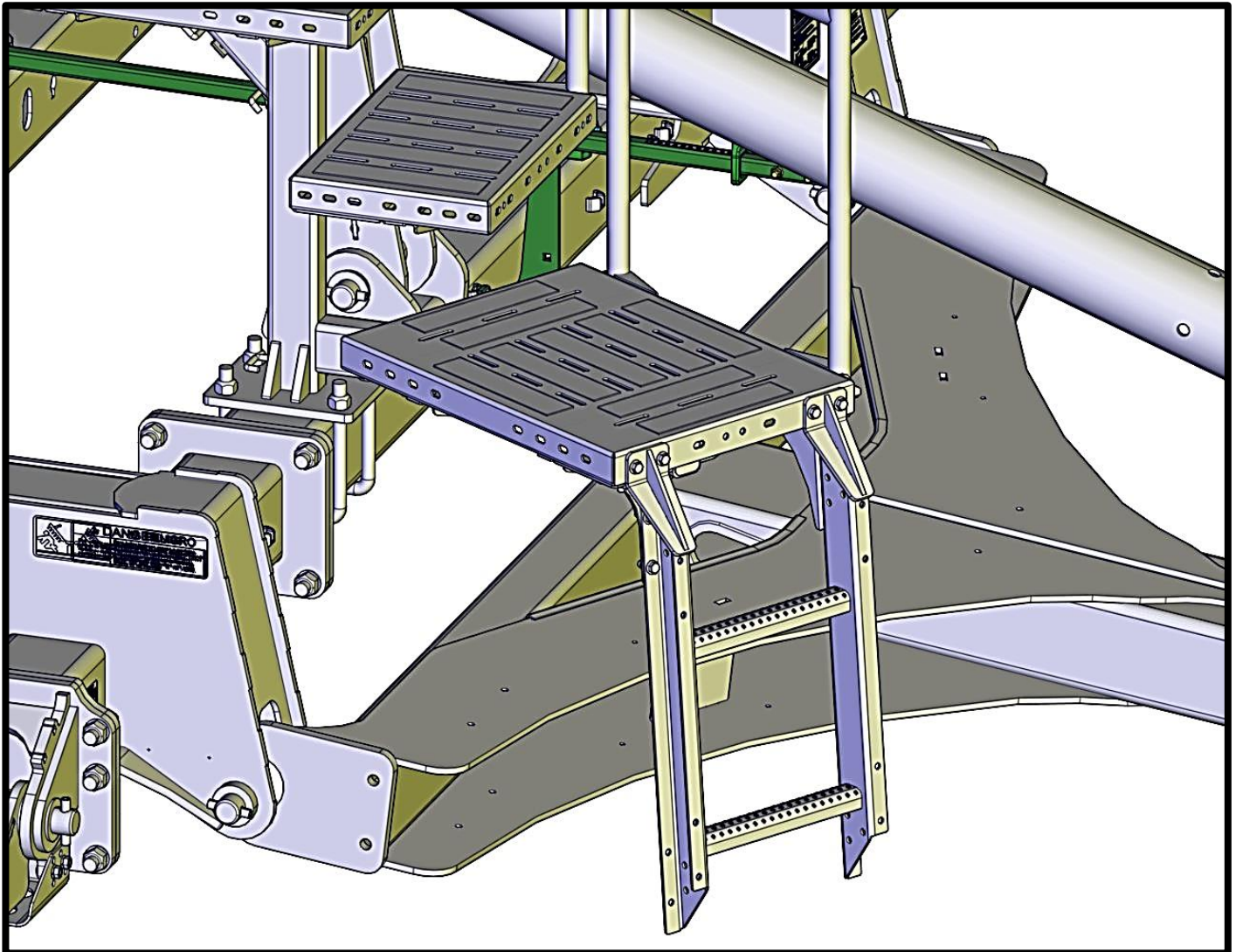
Orientate and install ladder as shown. Torque 3/8" bolts to 37 lb-ft..

PLATFORM - LADDER

K002490AA - Kit - JD 2660 VT 30' Platform Complete

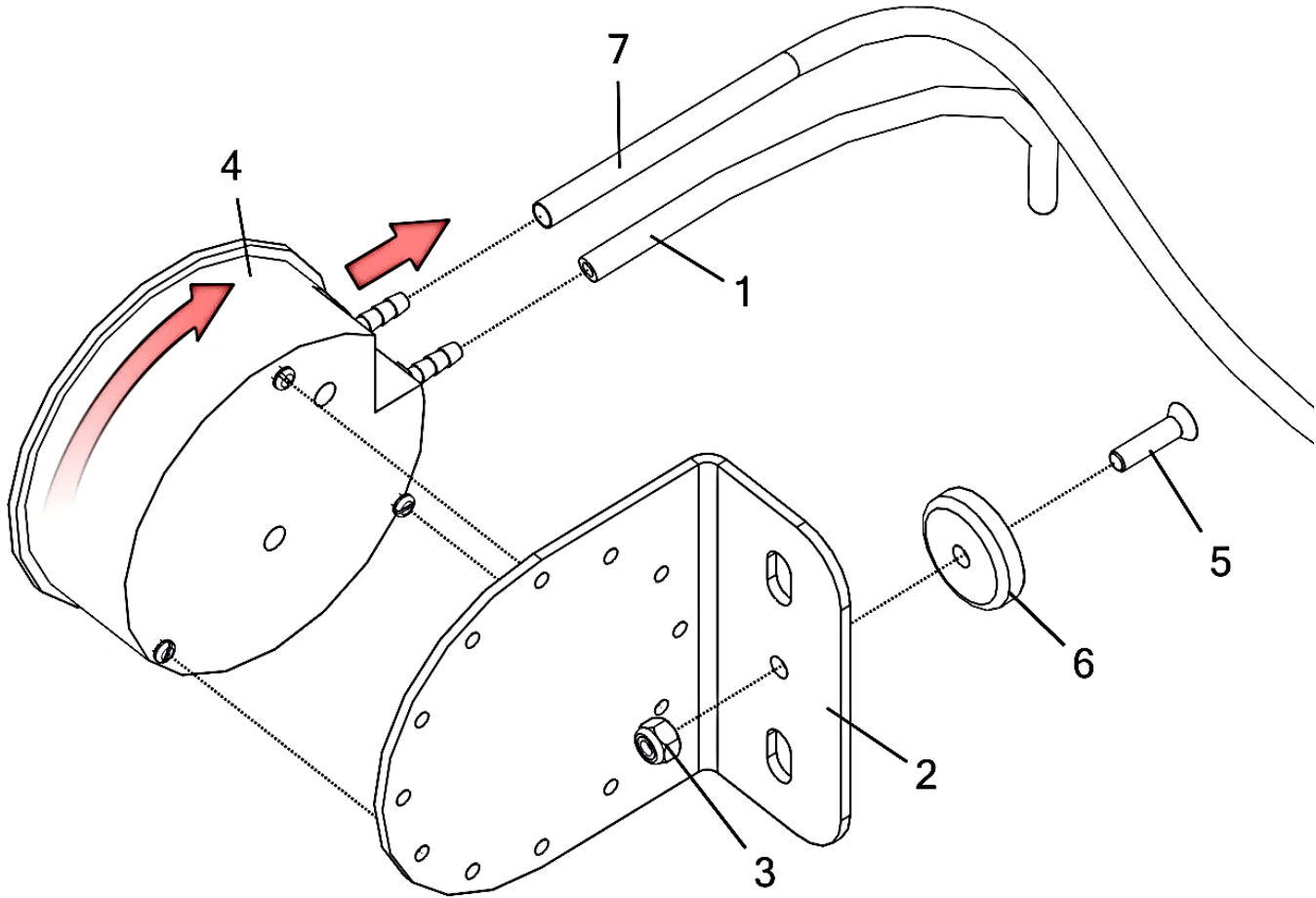
Item No.	Qty	Part Number	Description
1	12	P002205*	Nut - 3/8-16 Flange Nylon Lock (GR 5 M/S FA)
2	12	P002472*	Bolt - 3/8-16 x 1 x 1 Flange (GR 5 M/S FA)
3	1	A002473AA	Platform - Deck (18" x 24") w/ Anti-Slip Tape (Not Part Of Ladder Kit)
4	1	W002608AA	Ladder - 2208 Platform
5	1	W002649AA	Bracket - Platform Ladder Channel Gusset (LH)
6	1	W002650AA	Bracket - Platform Ladder Channel Gusset (RH)

* Included In K002371 - Kit - 2X08 Platform Bolt-On Ladder Hardware



AIR GAUGE

A002474AA - Gauge - Dwyer Air (No Logo) w/Mag. Mount

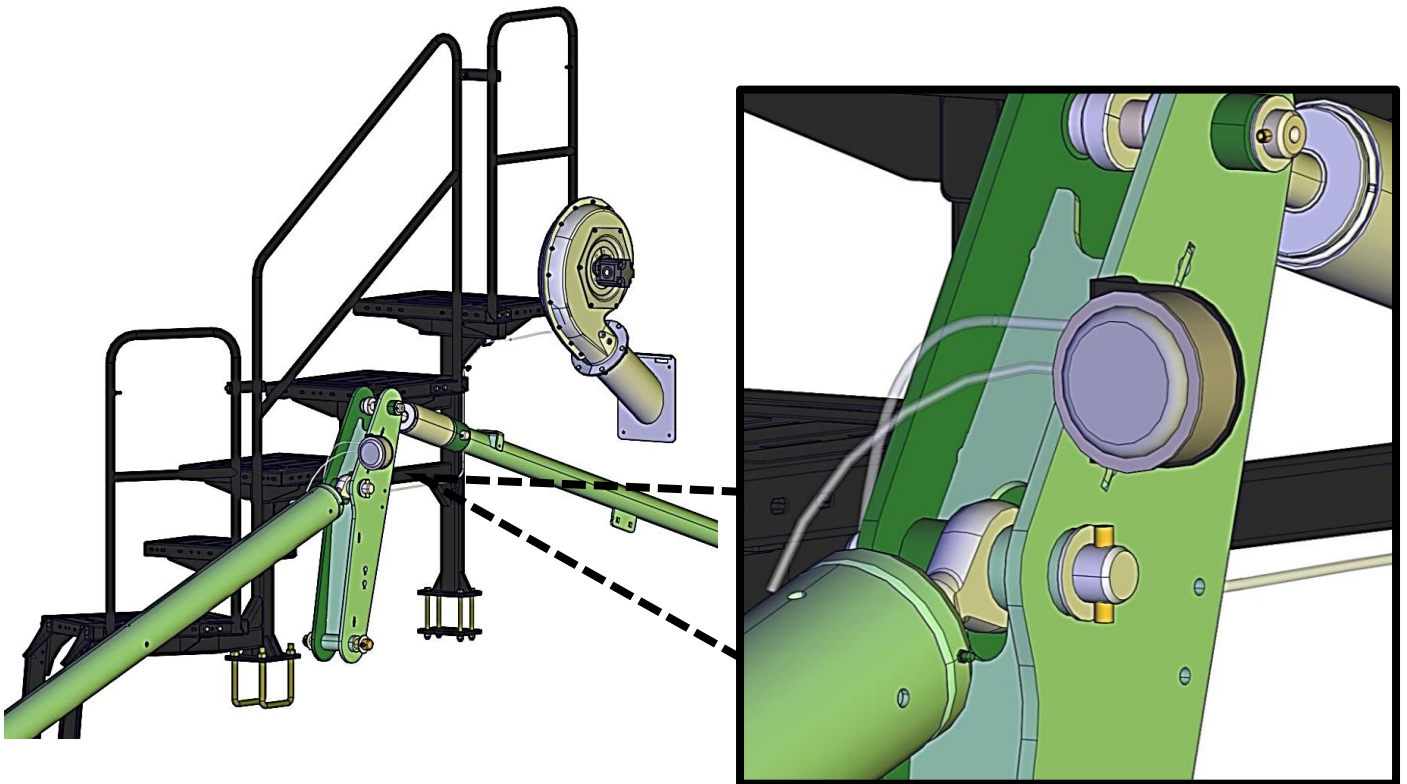


(Adjustable - change assembly orientation to match desired mounting location.)

AIR GAUGE

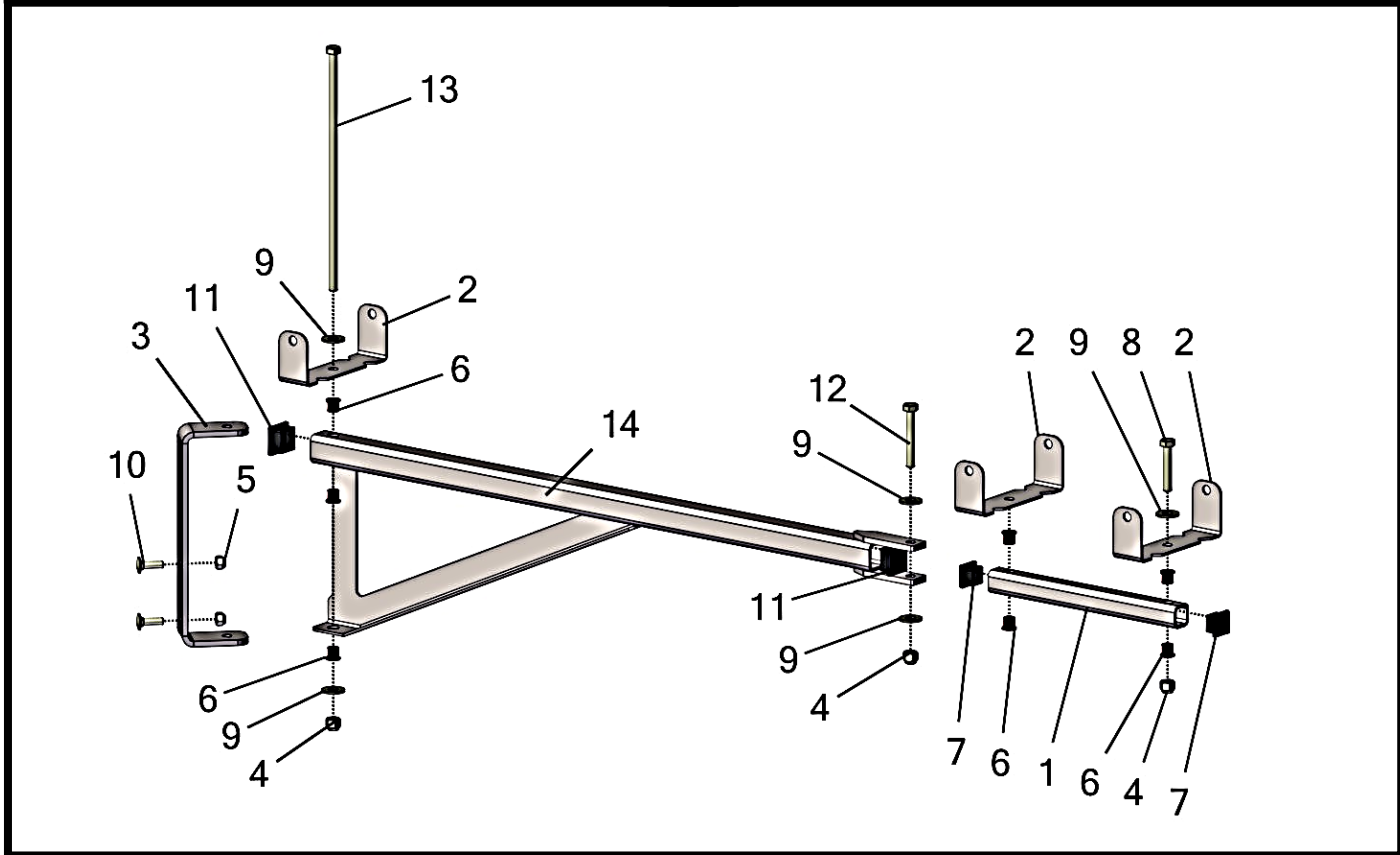
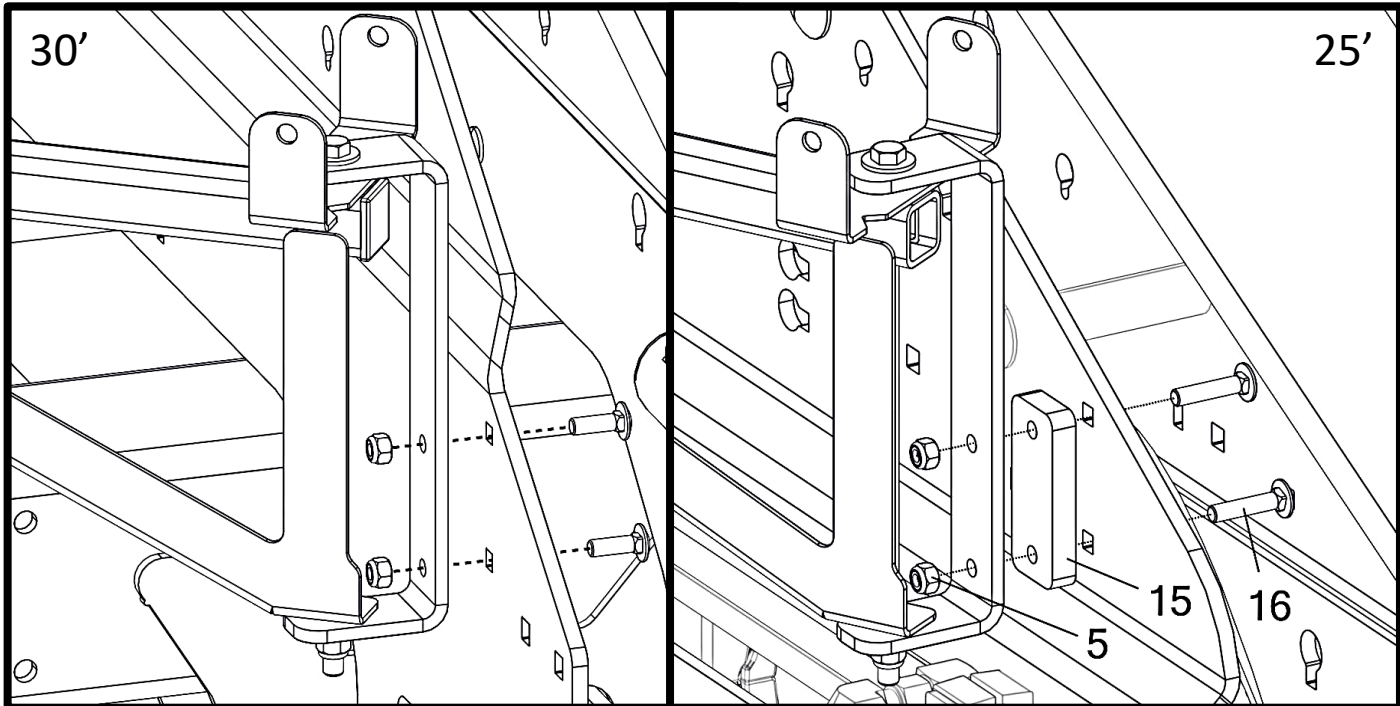
A002474AA - Gauge - Dwyer Air (No Logo) w/Mag. Mount

Item No.	Qty	Part Number	Description
1	1	M001044	Hose - Air Gauge Breather Tube
2	1	M003358AA	Bracket - Dwyer Air Gauge Mag. Mount
3	1	P000103	Nut - 1/4-20 Hex Nylon Lock (F594 316 S/S FB)
4	1	P000812	Gauge - Dwyer Air 0-30" WC (No Logo)
5	1	P002469	Screw - 1/4-20 x 1 Machine Flat Head Phillips (18-8 S/S FB)
6	1	P003042	Magnet - 1.42" X 100 Lbs (Cup 36)
7	1	M003682	Hose - Air Gauge Fan Tube (180"")



SWING ARMS

K002350AA - Kit - 2660 VT 16 Row Broadcast



Hoses on the 25' toolbar may not be able to run inside bracket closest to the front of toolbar.

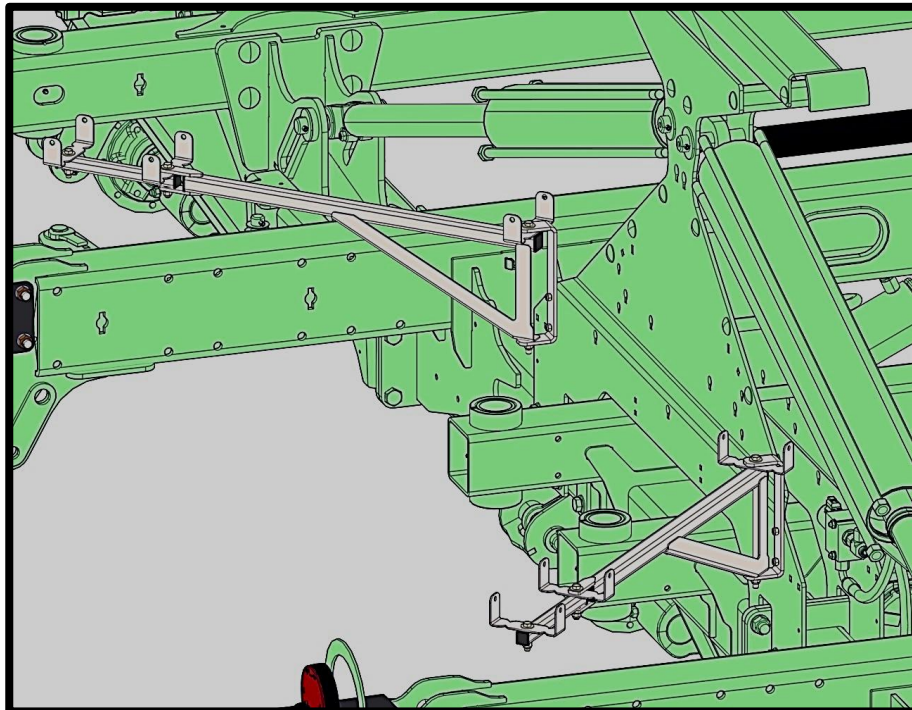
SWING ARMS

K002350AA - Kit - 2660 VT 16 Row Broadcast

Item No.	Qty	Part Number	Description
1	1	M003508AA	Tube - JD 2660 VT Swing Arm Extension
2	3	M003509AA	Bracket - 2660 VT Swing Arm Hose Guide
3	1	M003511AA	Bracket - 2660 VT Swing Arm Mount
4	3	P000057*	Nut - 3/8-16 Hex Nylon Lock (GR 5 M/S FA)
5	2	P000075*	Nut - 5/16-18 Hex Nylon Lock (GR 5 M/S FA)
6	7	P000393	Bushing - 3/8" x 1/2" x 1/2 Plastic Flange
7	2	P000403	Cap - 1" x 10-14 GA Square Plastic Tube
8	1	P000461*	Bolt - 3/8-16 x 2 x 1 Hex (GR 5 M/S FA)
9	5	P000752*	Washer - 3/8" USS Flat (1" OD) (GR 5 M/S FA)
10	2	P000813*	Bolt - 5/16-18 x 1 x 0.875 Carriage (GR 5 M/S FA)
11	2	P002078	Cap - 1-1/4" x 10-14 GA Square Plastic Tube
12	1	P002329*	Bolt - 3/8-16 x 2.5 x 1 Hex (GR 5 M/S FA)
13	1	P003064*	Bolt - 3/8-16 x 10.5 x 1.25 Hex (GR 5 M/S FA)
14	1	W002719AA	Arm - 2660 VT Hose Guide Swing (Long)
15	2	M004421AA †	Spacer - 2660 VT 25' Swing Arm Hose Guide
16	4	P003684 †	Bolt - 5/16-18 x 1.5 x 0.875 Carriage (GR 5 M/S FA)

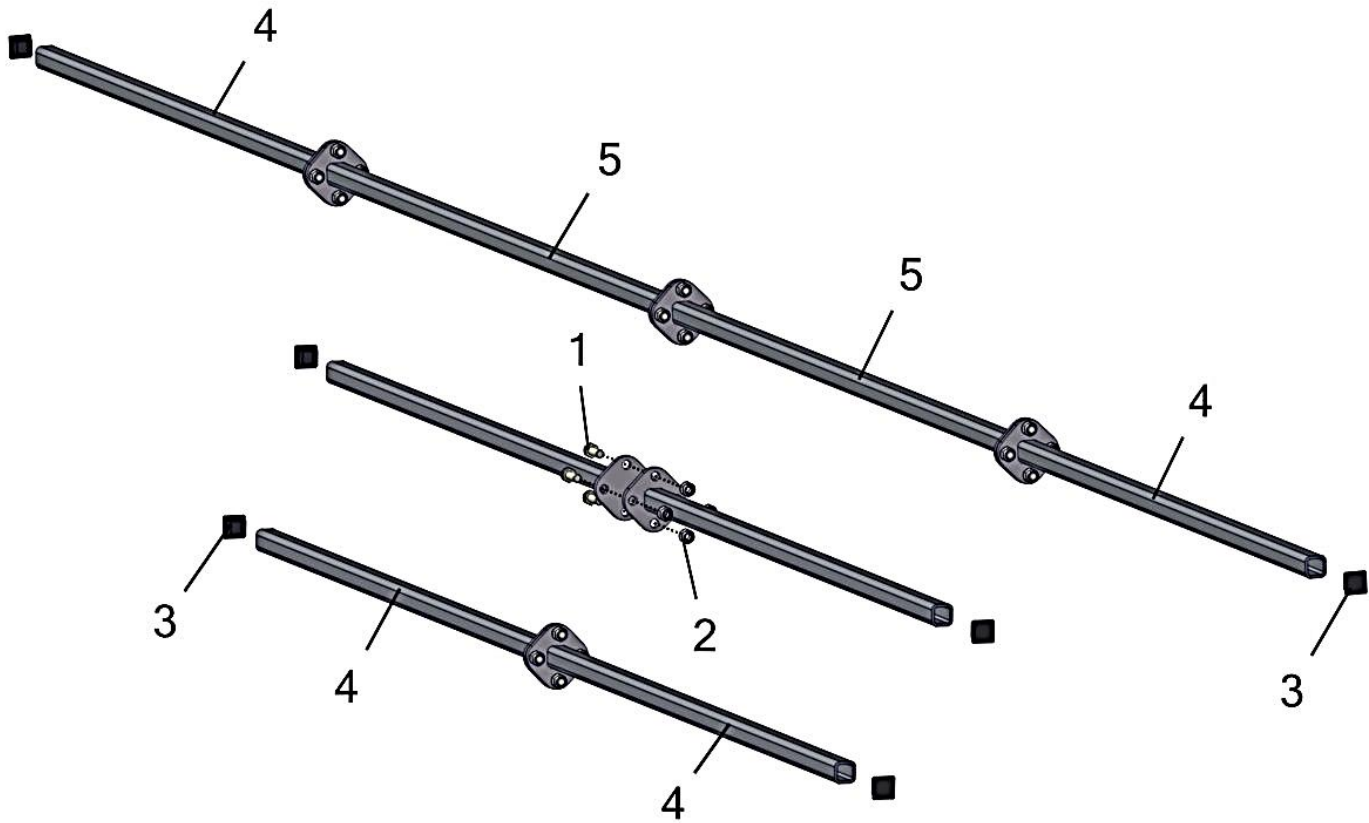
* Included In K002358 - Kit - 2660 VT Swing Arm Hardware

† Included in K002559 - Kit - 2660 VT 25' Complete. **(1.5" bolts (item 16) replace 1" bolts in K002358 (item 10))**



DROP MOUNT TUBES

K002350AA - Kit - 2660 VT 16 Row Broadcast



K002516AA - Kit - 2660 VT Drop Mount Tubes

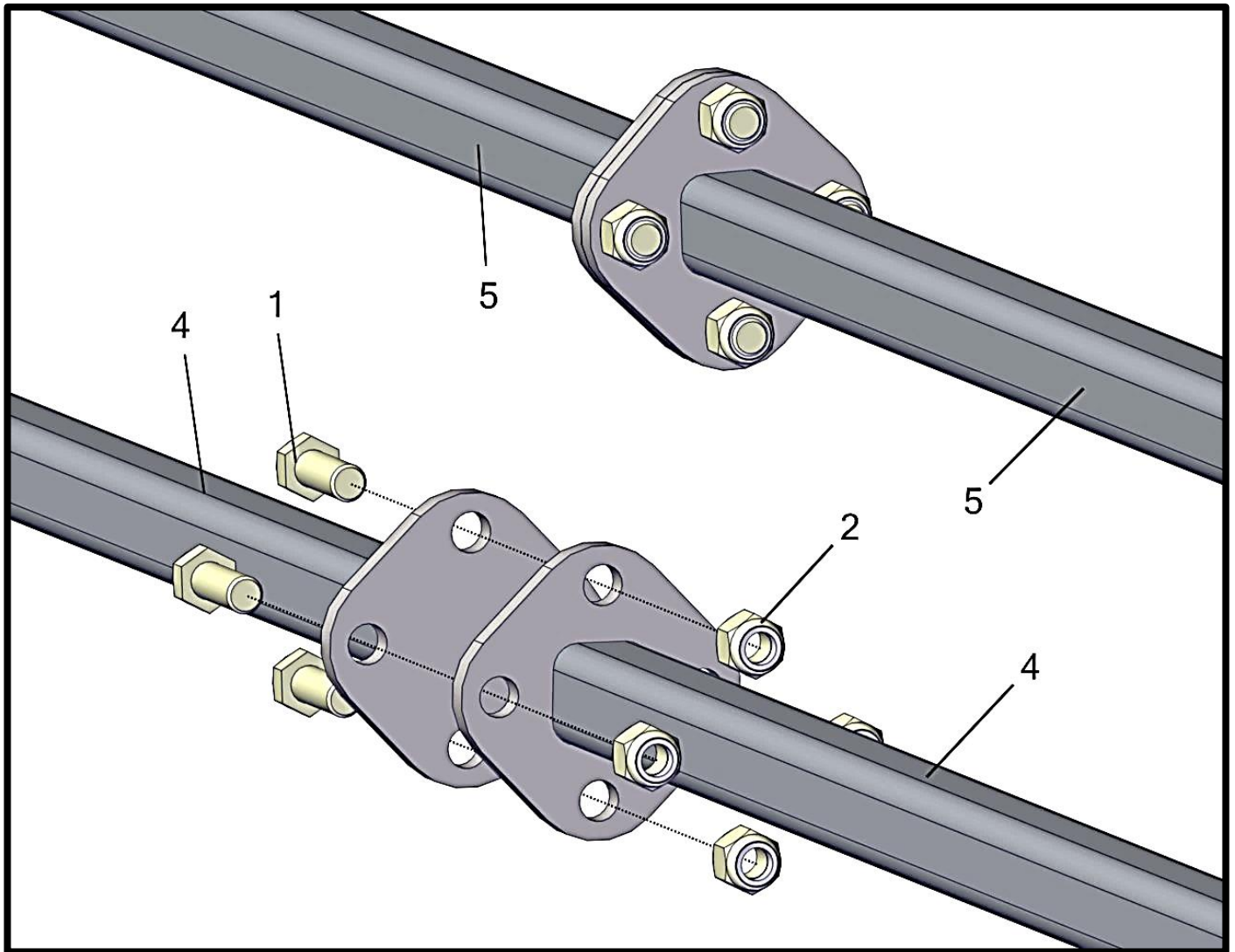
Assemble Drop Mount tubes as shown. Torque 3/8" bolts to 37 lb-ft..

DROP MOUNT TUBES

K002350AA - Kit - 2660 VT 16 Row Broadcast

Item No.	Qty	Part Number	Description
1	20	P000039*	Bolt - 3/8-16 x 1 x 1 Hex (GR 5 M/S FA)
2	20	P000057*	Nut - 3/8-16 Hex Nylon Lock (GR 5 M/S FA)
3	6	P000403	Cap - 1" x 10-14 GA Square Plastic Tube
4	6	W002770AA	Mount - JD 2660 VT Drop (Outer)
5	2	W002771AA	Mount - JD 2660 VT Drop (Inner)

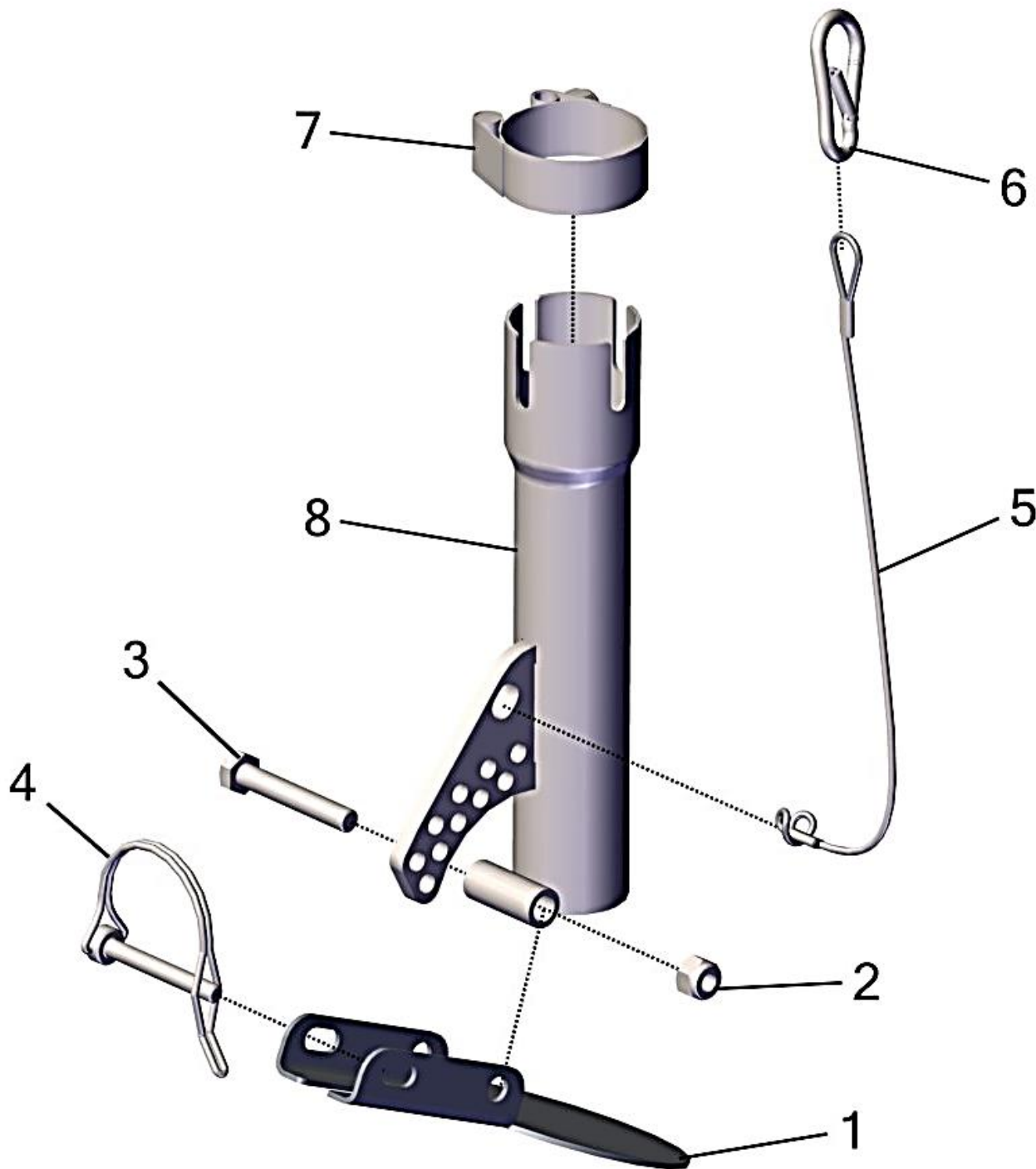
* Included In K002515 - Kit - JD 2660 VT Drop Tube Mount Hardware



BROADCASTERS

K002350AA - Kit - 2660 VT 16 Row Broadcast

A002549 - Assembly - InfinAdjust Broadcaster

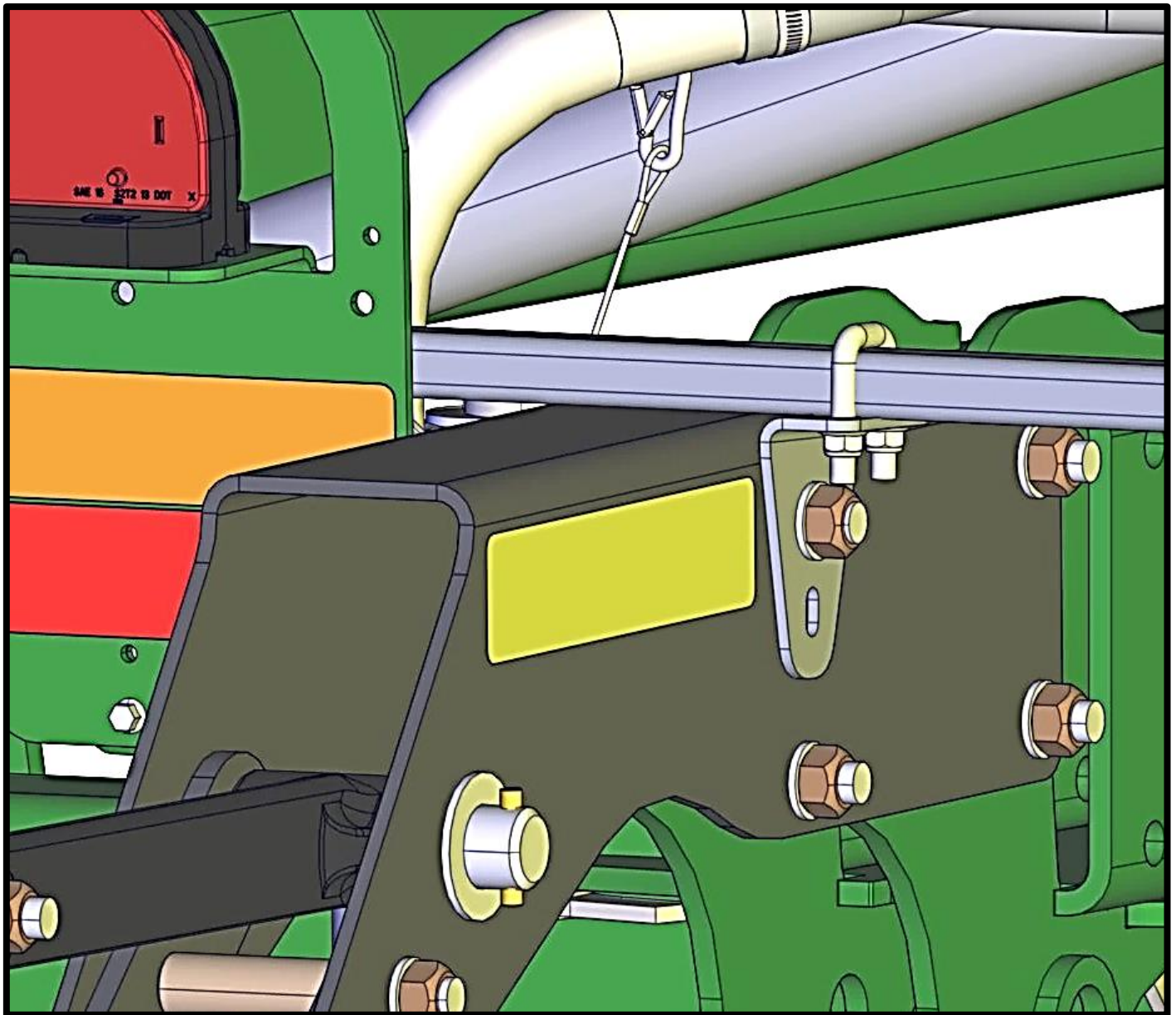


Included In K002520 - Kit - InfinAdjust Broadcaster (16)

BROADCASTERS

K002350AA - Kit - 2660 VT 16 Row Broadcast

Item No.	Qty	Part Number	Description
1	1	M004014	Deflector - InfinAdjust Broadcast Dish
2	1	P000104	Nut - 5/16-18 Hex Nylon Lock (F594 316 S/S FB)
3	1	P000634	Bolt - 5/16-18 x 2 x 0.875 Hex (F593 304 S/S FB)
4	1	P002663	Pin - 1/4" x 1-3/4" Wire Lock
5	1	P002828	Lanyard - .063" x 12" S/S Cable (PVC Coated)
6	1	P002829	Carabiner - 7/32" x 2" S/S
7	1	P003141	Clamp - T-Bolt Hose and Tube (1 3/4")
8	1	W002751	Drop - InfinAdjust Broadcast (1.50")

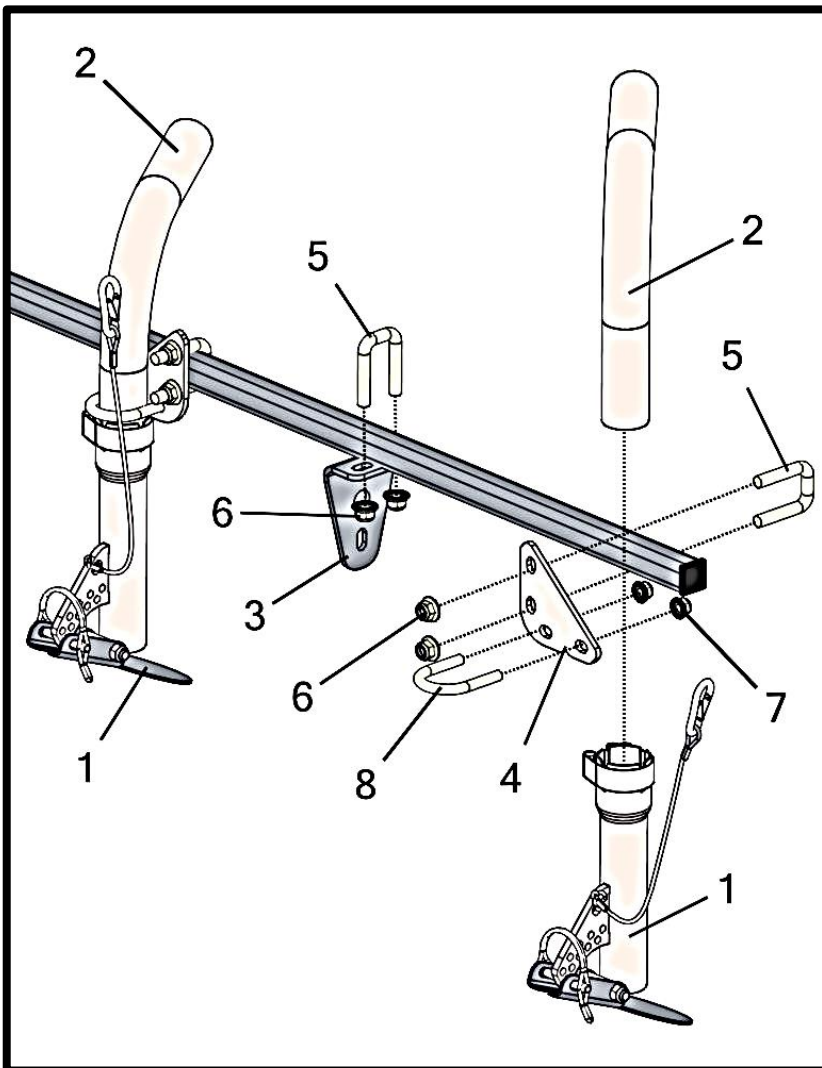


BROADCASTERS

K002350AA - Kit - 2660 VT 16 Row Broadcast

Item No.	Qty	Part Number	Description
1	16	A002549	Assembly - InfinAdjust Broadcaster
2	16	M002917	Tube - 1-1/2" - Drop 80°
3	6	M003481AA	Plate - 2660 VT Broadcaster Tube Wingframe Mount
4	16	M003483AA	Plate - 1-1/2" Drop Tube Clamp Mount x 1" Tube
5	22	P002050*	U-Bolt - 3/8" x 1" x 2"
6	44	P002205*	Nut - 3/8-16 Flange Nylon Lock (GR 5 M/S FA)
7	32	P002217*	Nut - 5/16-18 Flange Nylon Lock (GR 5 M/S FA)
8	16	P002999*	U-Bolt - 5/16-18 x 1-1/2 x 2-3/16 Round (GR 5 M/S FA)

* Included In K002521 - Kit - JD 2660 VT Broadcaster Mount Hardware (w/U-bolts)



Broadcaster drop kit can be assembled either prior to or during installation.

Note M003483AA orientation on following pages. It is flipped in several instances to allow broadcaster to be installed at the correct spacing.

Broadcaster is installed behind the mounting tube on sections "C" (#6) and "F" (#11) (see following pages) to avoid interference with toolbar safety lights.

Torque 3/8" u-bolts to 37 lb-ft.

Torque 5/16" u-bolts to 21 lb-ft.

HOSE ROUTING - HOSE LENGTHS
 K002350AA - Kit - 2660 VT 16 Row Broadcast

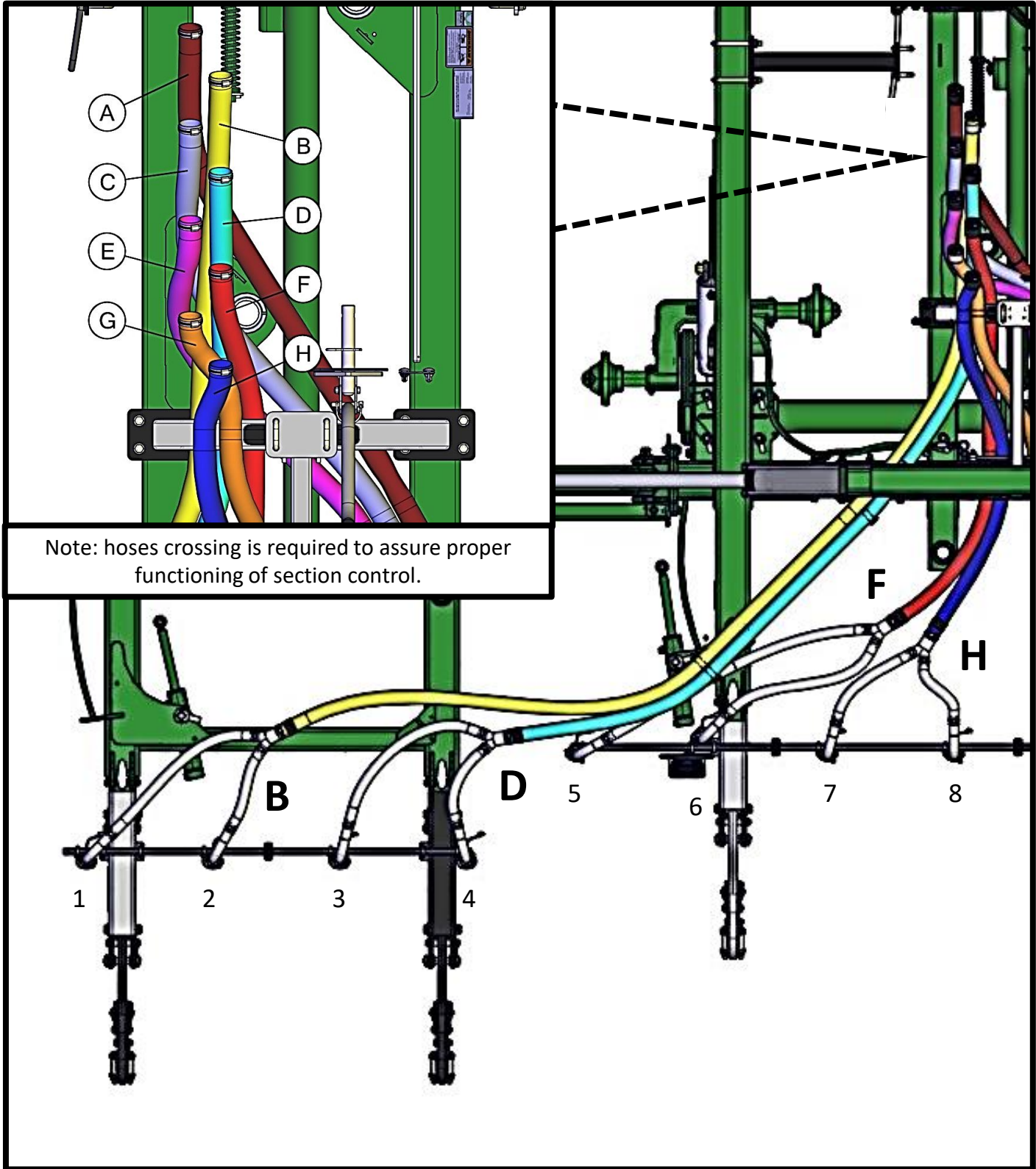
Once drop assemblies are installed begin routing hoses. Cut and install small hoses to splitters first, then cut large hoses and route as shown. Label both ends of large hoses w/ included sticker labels

Zip tie hoses to swing arms and elsewhere as needed so hoses don't kink when toolbar folds.

HOSE LENGTHS			
(FROM REAR OF MACHINE, L-R) (HOSES ON 25' TOOLBAR MAY BE SLIGHTLY SHORTER)			
HOSE #	PART #	DESCRIPTION	LENGTH
B	P002774	Hose - 2" Air PVC Black	204" (17')
D	P002774	Hose - 2" Air PVC Black	149" (12'5")
F	P002774	Hose - 2" Air PVC Black	88" (7'4")
H	P002774	Hose - 2" Air PVC Black	78" (6'6")
G	P002774	Hose - 2" Air PVC Black	72" (6')
E	P002774	Hose - 2" Air PVC Black	96" (8')
C	P002774	Hose - 2" Air PVC Black	153" (12'9")
A	P002774	Hose - 2" Air PVC Black	192" (16')
1	P003057	Hose - 1-1/2" Air PVC Black	38" (3'2")
2	P003057	Hose - 1-1/2" Air PVC Black	22" (1'10")
3	P003057	Hose - 1-1/2" Air PVC Black	40" (3'4")
4	P003057	Hose - 1-1/2" Air PVC Black	21" (1'9")
5	P003057	Hose - 1-1/2" Air PVC Black	52" (4'4")
6	P003057	Hose - 1-1/2" Air PVC Black	34" (2'10")
7	P003057	Hose - 1-1/2" Air PVC Black	21" (1'9")
8	P003057	Hose - 1-1/2" Air PVC Black	14" (1'2")
9	P003057	Hose - 1-1/2" Air PVC Black	19" (1'7")
10	P003057	Hose - 1-1/2" Air PVC Black	26" (2'2")
11	P003057	Hose - 1-1/2" Air PVC Black	24" (2')
12	P003057	Hose - 1-1/2" Air PVC Black	44" (3'8")
13	P003057	Hose - 1-1/2" Air PVC Black	16" (1'4")
14	P003057	Hose - 1-1/2" Air PVC Black	33" (2'9")
15	P003057	Hose - 1-1/2" Air PVC Black	21" (1'9")
16	P003057	Hose - 1-1/2" Air PVC Black	40" (3'4")

HOSE ROUTING

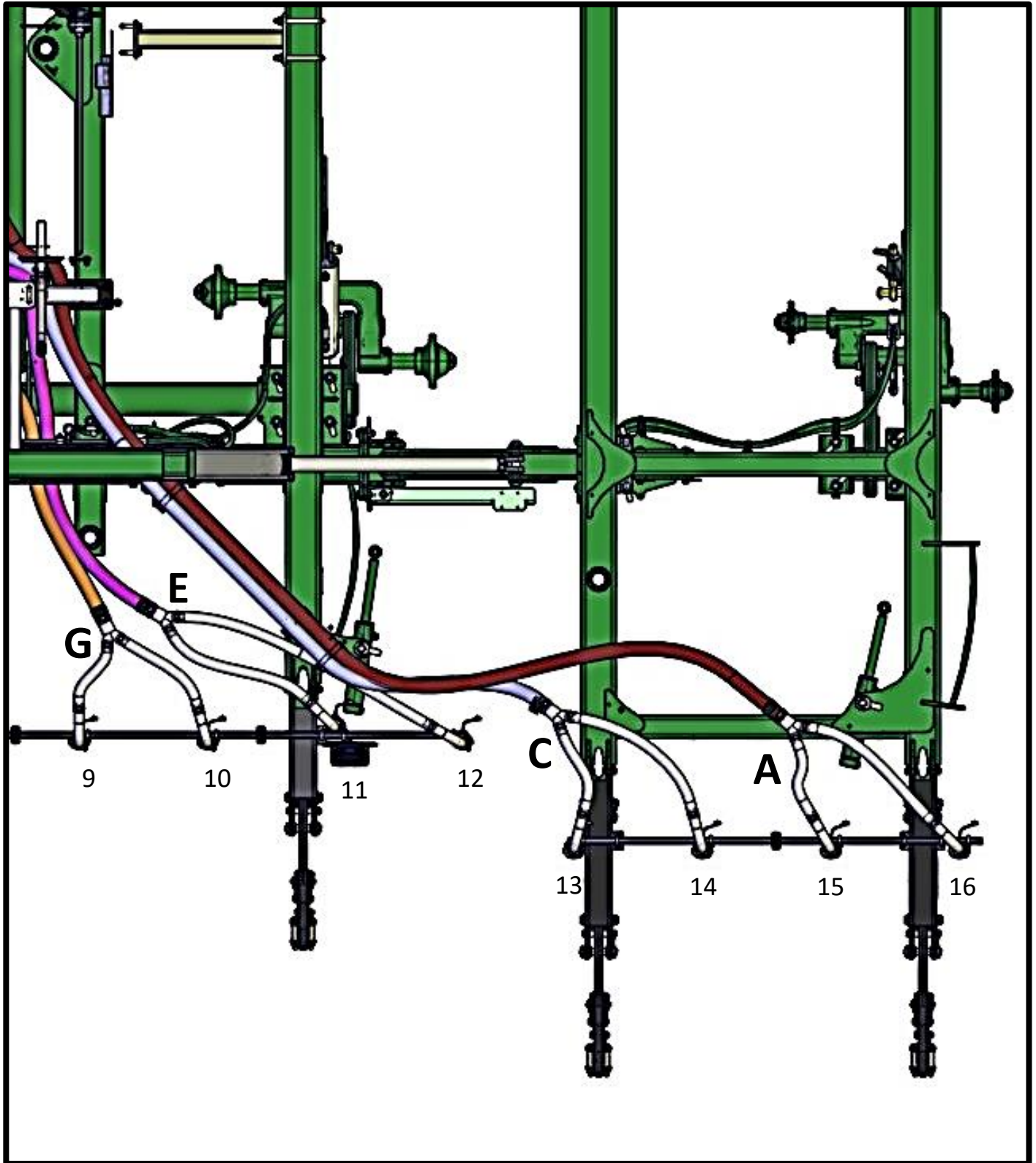
K002350AA - Kit - 2660 VT 16 Row Broadcast



Note: hoses crossing is required to assure proper functioning of section control.

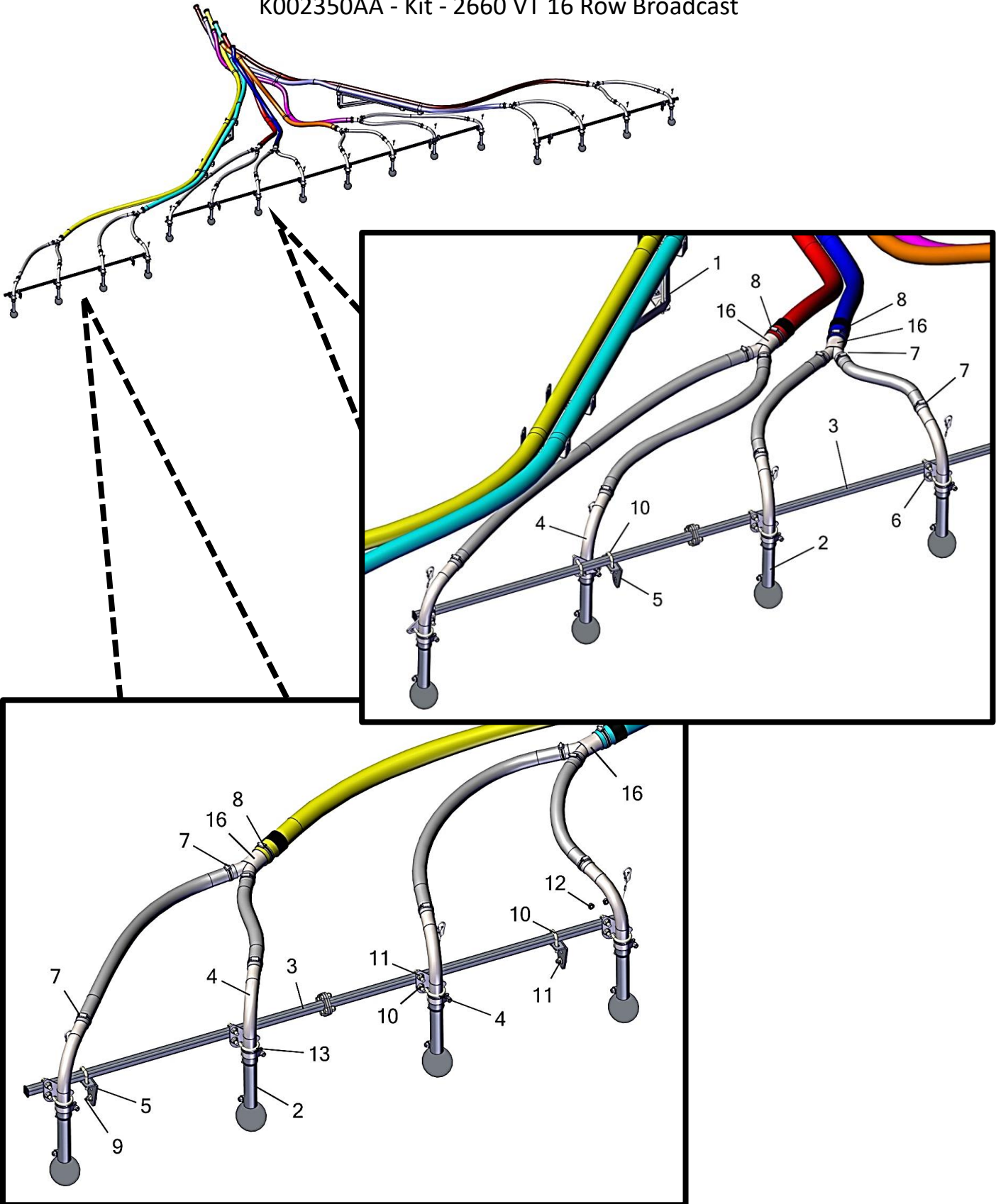
HOSE ROUTING

K002350AA - Kit - 2660 VT 16 Row Broadcast



HOSE ROUTING

K002350AA - Kit - 2660 VT 16 Row Broadcast



P/N's followed by “_” are color coded parts.
 Color codes: AA = Black Paint, ZZ = Gray, ZY = Yellow, ZX = White
 See inside front cover for details.

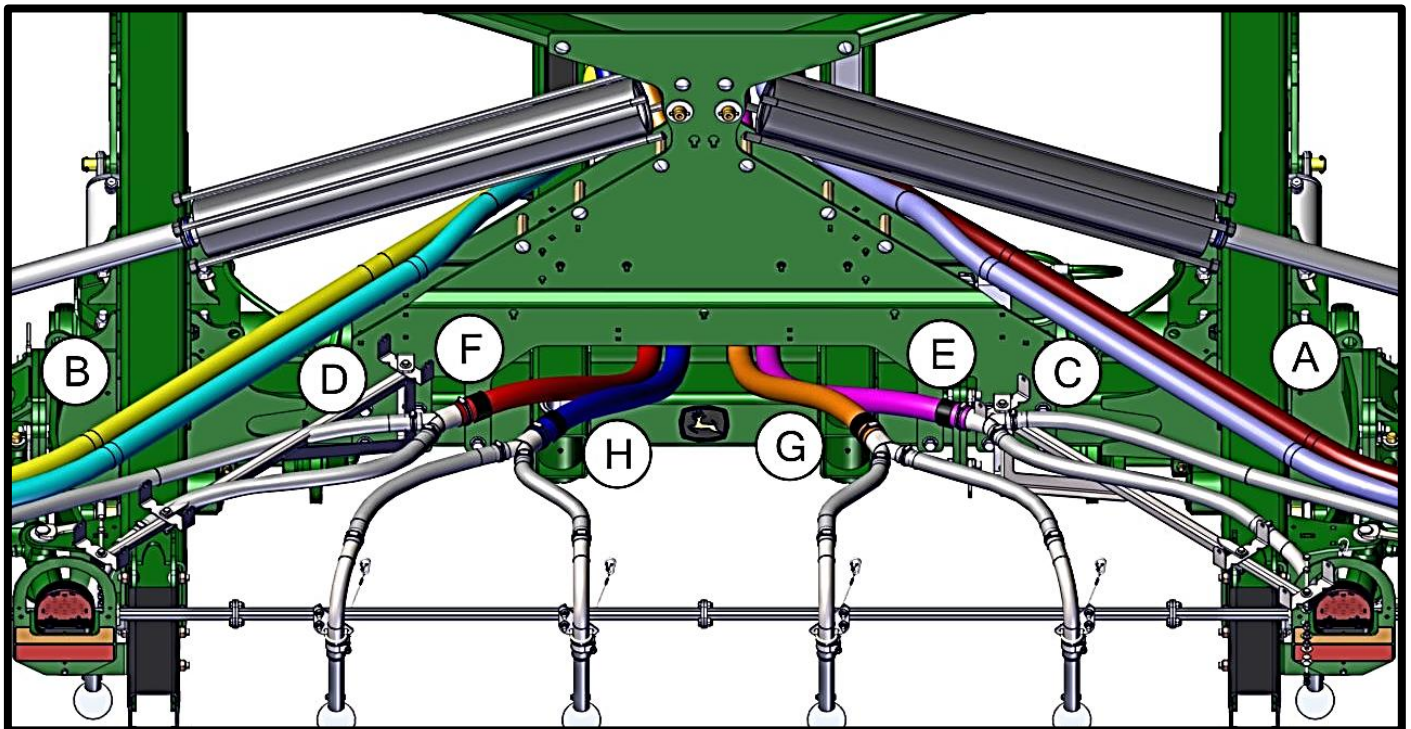
12/05/2023 - REV. A
 MY: 2020-2023

HOSE ROUTING

K002350AA - Kit - 2660 VT 16 Row Broadcast

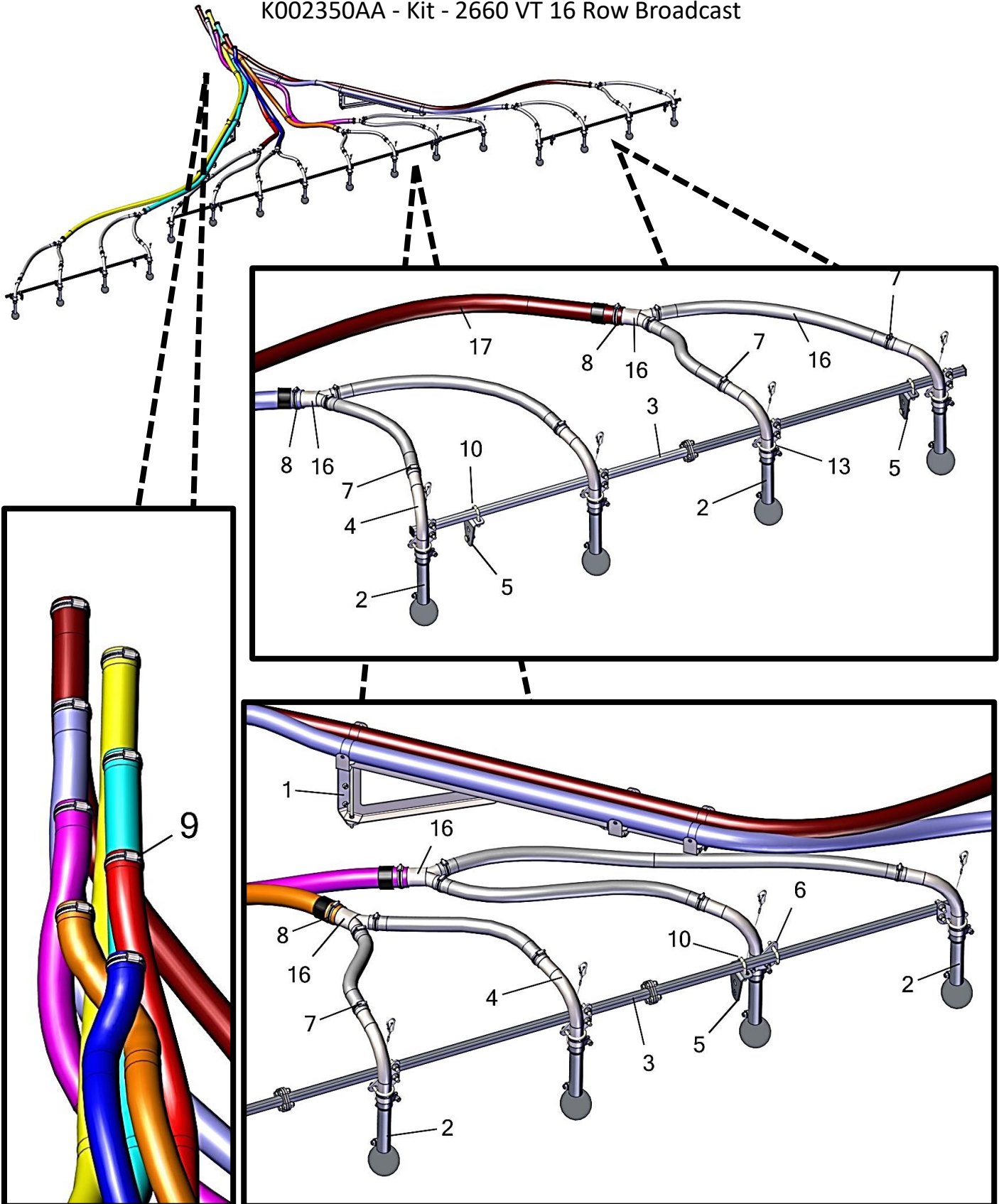
Item No.	Qty	Part Number	Description
1	2	A002504AA	Assembly - 2660 VT Swing Arm Hose Guides
2	16	A002549	Assembly - InfinAdjust Broadcaster
3	1	K002516AA	Kit - JD 2660 VT Drop Mount Tubes
4	16	M002917	Tube - 1-1/2" - Drop 80°
5	6	M003481AA	Plate - 2660 VT Broadcaster Tube Wingframe Mount
6	16	M003483AA	Plate - 1-1/2" Drop Tube Clamp Mount x 1" Tube
7	32	P000238	Hose Clamp - 1-1/2" S/S
8	16	P000240	Hose Clamp - 2" S/S
9	4	P000504*	Bolt - 3/8-16 x 1 x 1 Carriage (GR 5 M/S FA)
10	22	P002050*	U-Bolt - 3/8" x 1" x 2"
11	48	P002205*	Nut - 3/8-16 Flange Nylon Lock (GR 5 M/S FA)
12	32	P002217*	Nut - 5/16-18 Flange Nylon Lock (GR 5 M/S FA)
13	16	P002999*	U-Bolt - 5/16-18 x 1-1/2 x 2-3/16 Round (GR 5 M/S FA)
14	1	P003057	Hose - 1-1/2" Air PVC Black (50 Ft. Roll)
15	1	P002774	Hose - 2" Air PVC Black (100 Ft. Roll)
16	8	W002038	Splitter - 2" x 1.5" x 1.5"

* Included In K002521 - Kit - JD 2660 VT Broadcaster Mount Hardware (w/U-bolts)



HOSE ROUTING

K002350AA - Kit - 2660 VT 16 Row Broadcast



P/N's followed by " _ " are color coded parts.

Color codes: AA = Black Paint, ZZ = Gray, ZY = Yellow, ZX = White

See inside front cover for details.

12/05/2023 - REV. A

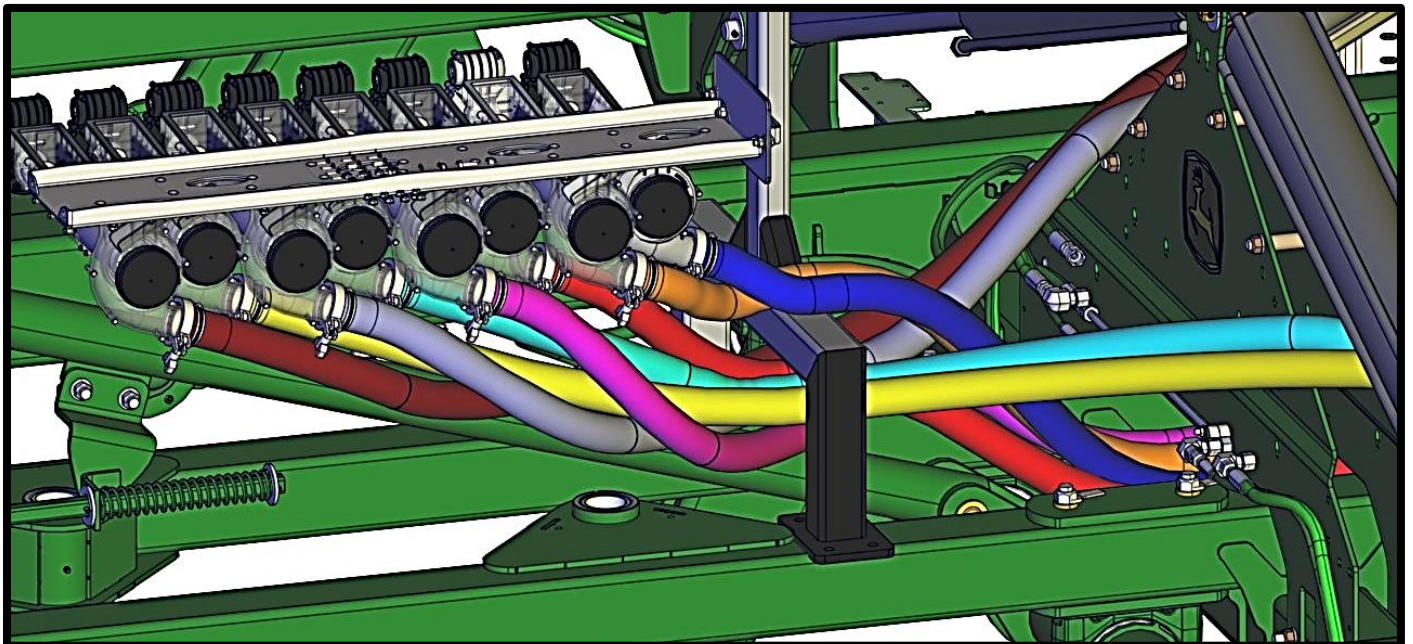
MY: 2020-2023

HOSE ROUTING

K002350AA - Kit - 2660 VT 16 Row Broadcast

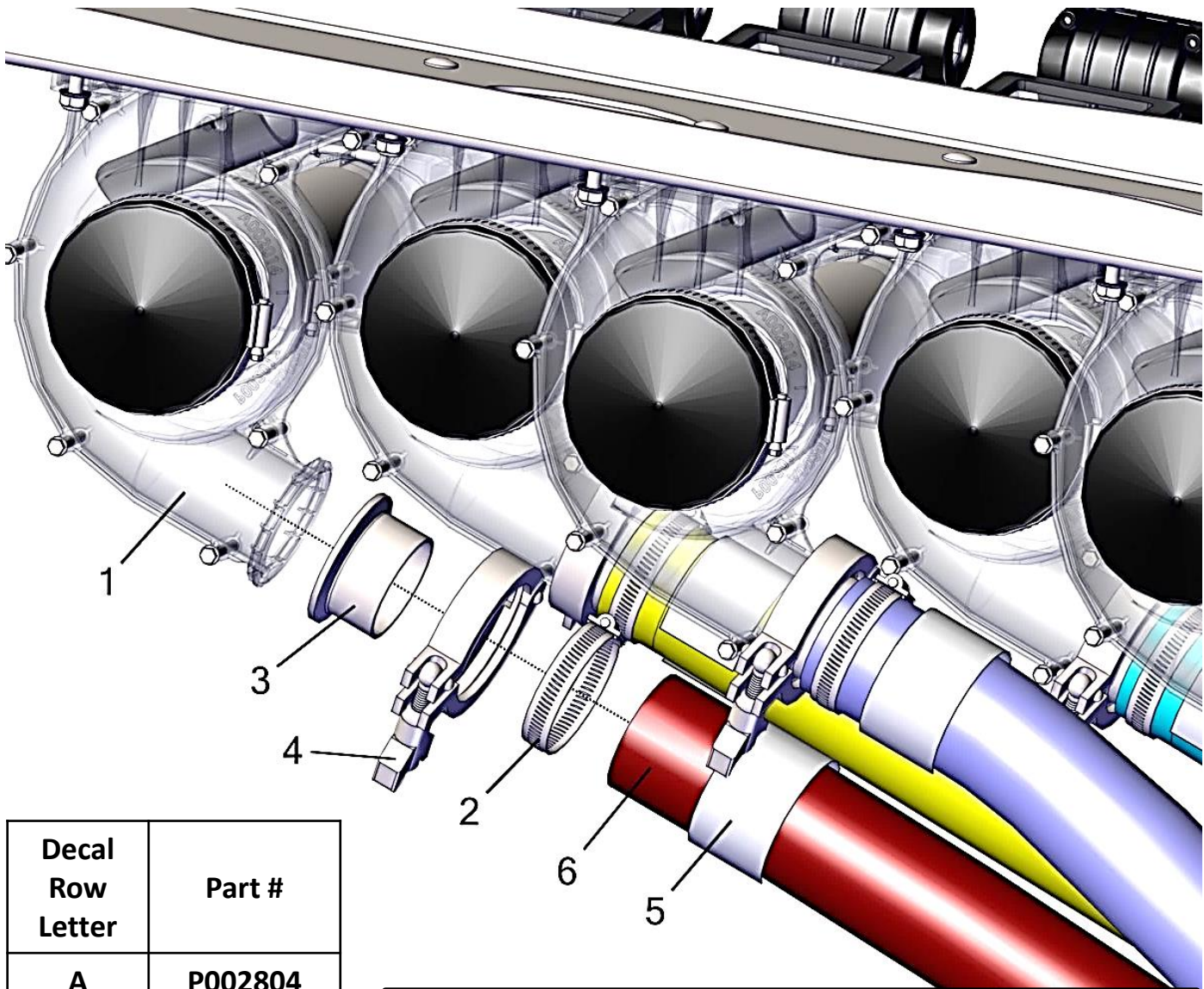
Item No.	Qty	Part Number	Description
1	2	A002504AA	Assembly - 2660 VT Swing Arm Hose Guides
2	16	A002549	Assembly - InfinAdjust Broadcaster
3	1	K002516AA	Kit - JD 2660 VT Drop Mount Tubes
4	16	M002917	Tube - 1-1/2" - Drop 80°
5	6	M003481AA	Plate - 2660 VT Broadcaster Tube Wingframe Mount
6	16	M003483AA	Plate - 1-1/2" Drop Tube Clamp Mount x 1" Tube
7	32	P000238	Hose Clamp - 1-1/2" S/S
8	16	P000240	Hose Clamp - 2" S/S
9	4	P000504*	Bolt - 3/8-16 x 1 x 1 Carriage (GR 5 M/S FA)
10	22	P002050*	U-Bolt - 3/8" x 1" x 2"
11	48	P002205*	Nut - 3/8-16 Flange Nylon Lock (GR 5 M/S FA)
12	32	P002217*	Nut - 5/16-18 Flange Nylon Lock (GR 5 M/S FA)
13	16	P002999*	U-Bolt - 5/16-18 x 1-1/2 x 2-3/16 Round (GR 5 M/S FA)
14	1	P003057	Hose - 1-1/2" Air PVC Black (50 Ft. Roll)
15	1	P002774	Hose - 2" Air PVC Black (100 Ft. Roll)
16	8	W002038	Splitter - 2" x 1.5" x 1.5"

* Included In K002521 - Kit - JD 2660 VT Broadcaster Mount Hardware (w/U-bolts)

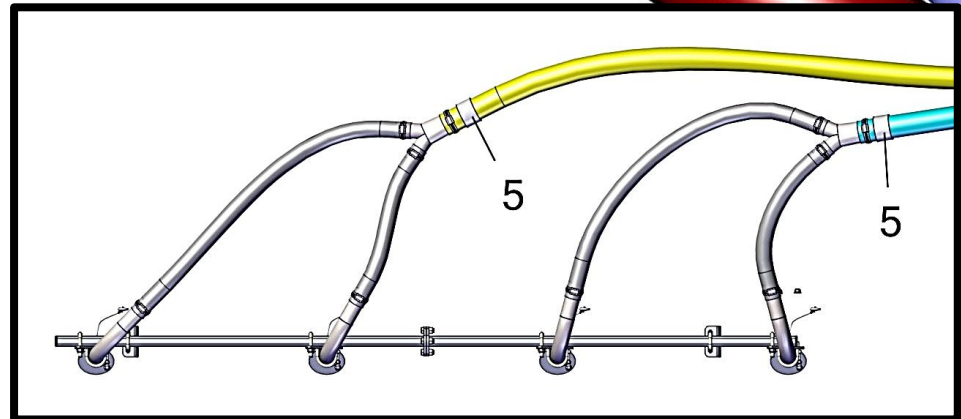


HOSE CONNECTIONS

K002350AA - Kit - 2660 VT 16 Row Broadcast



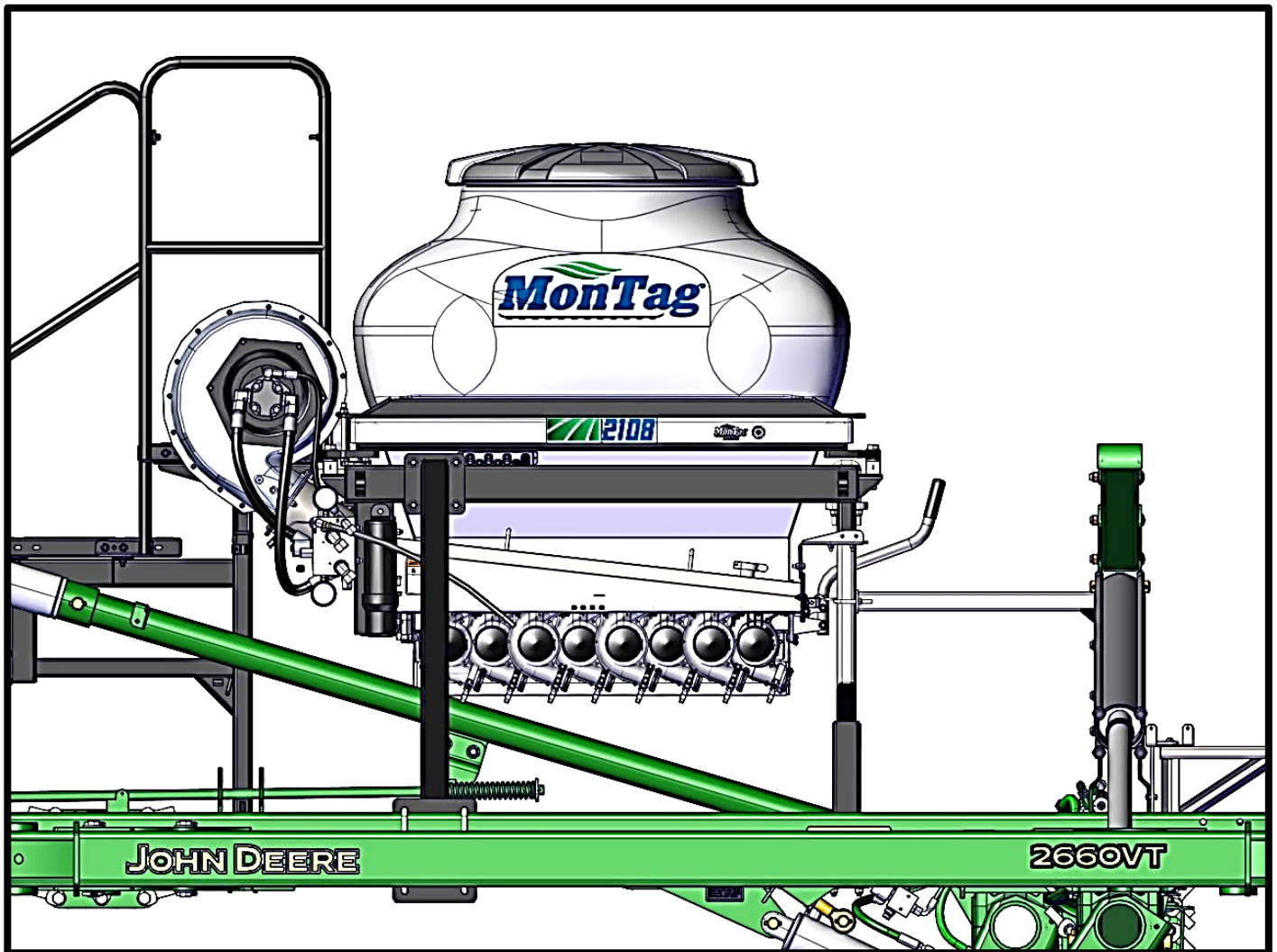
Decal Row Letter	Part #
A	P002804
B	P002805
C	P002815
D	P002816
E	P002817
F	P002818
G	P002819
H	P002820



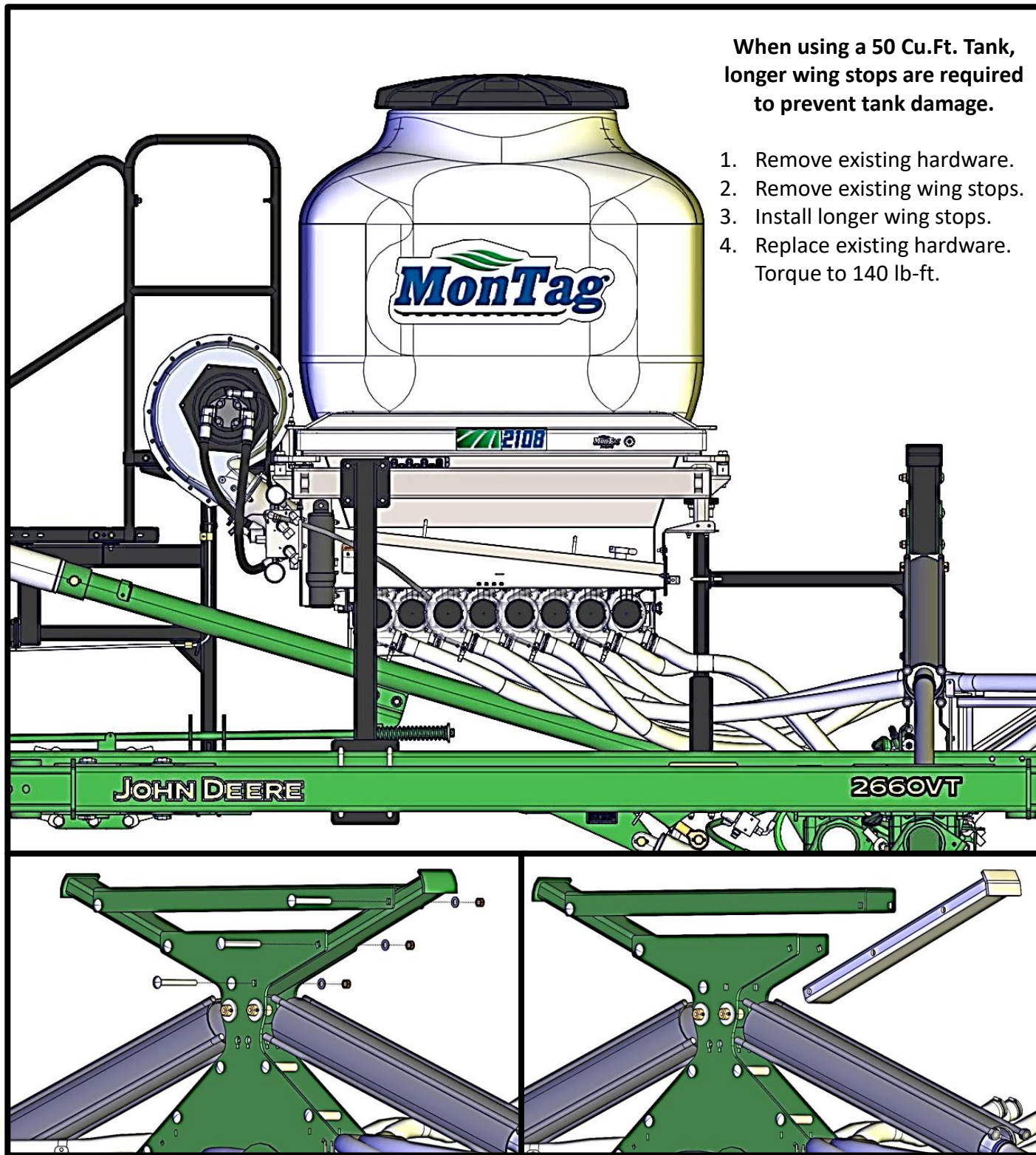
HOSE CONNECTIONS

K002350AA - Kit - 2660 VT 16 Row Broadcast

Item No.	Qty	Part Number	Description
1	8	A002551	Air Chamber - Gen II 21XX L/R
2	16	P000240	Hose Clamp - 2" S/S
3	8	P002044	Flange - 2" Sanitary Quick Clamp Tube Adapter
4	8	P002058	Clamp - 2" Sanitary Quick
5	2 ea.	_____	Decal - Row Label (A-H)
6	1	P002774	Hose - 2" Air PVC Black



50 CU.FT. TANK AND WING STOPS

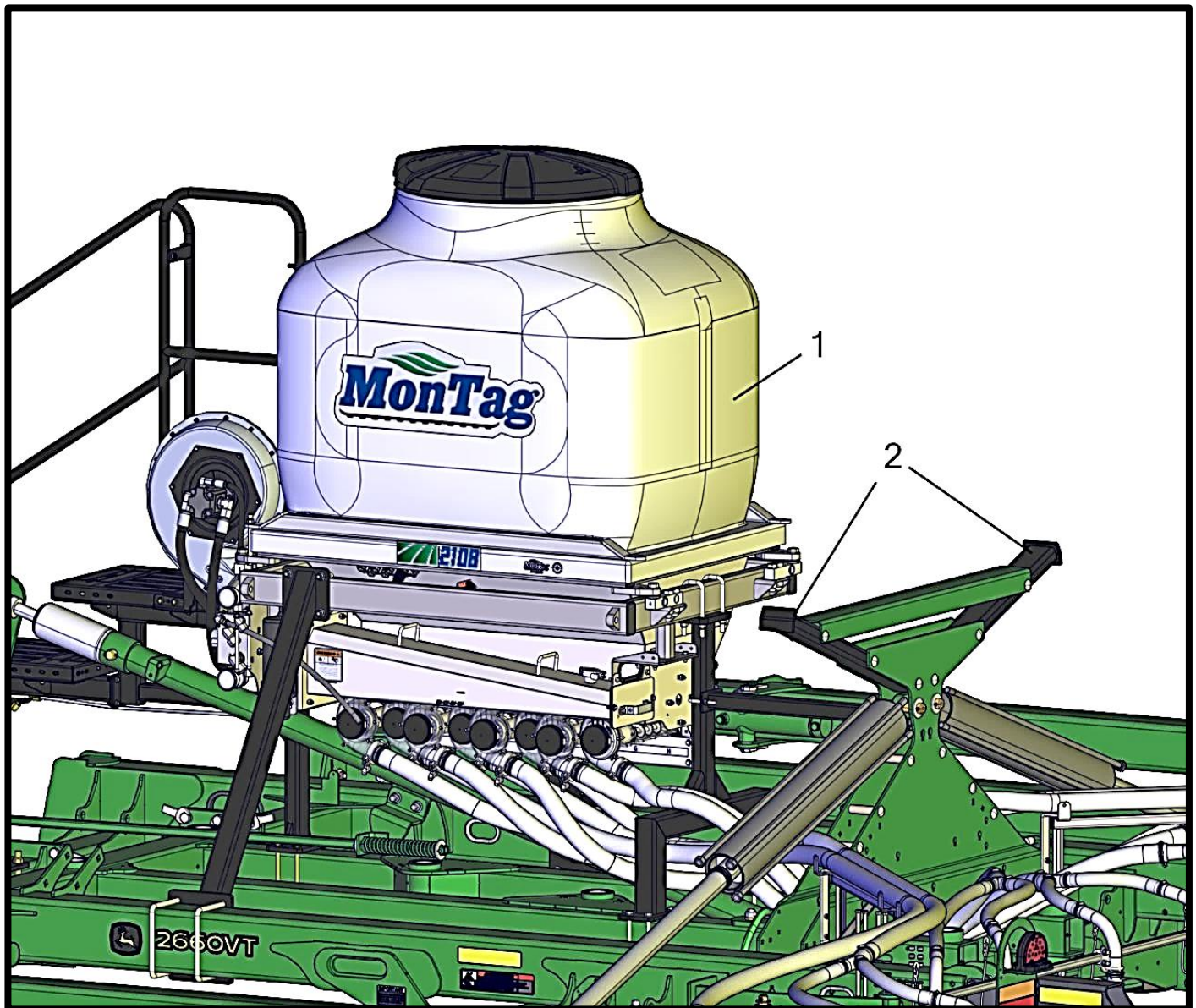


When using a 50 Cu.Ft. Tank, longer wing stops are required to prevent tank damage.

1. Remove existing hardware.
2. Remove existing wing stops.
3. Install longer wing stops.
4. Replace existing hardware. Torque to 140 lb-ft.

50 CU.FT. TANK AND WING STOPS

Item No.	Qty	Part Number	Description
1	1	K002498ZX	Tank - 2208 50 Cu.Ft. Poly
	1	K002497ZX	Tank - 2208 30 Cu.Ft. Poly (Not Shown On This Page)
2	2	W002757AA	Wing Stop - JD 2660 VT (30' Toolbar w/50 cu.ft. tank)
	2	W002818AA	Wing Stop - JD 2660 VT (25') (All 25' models)

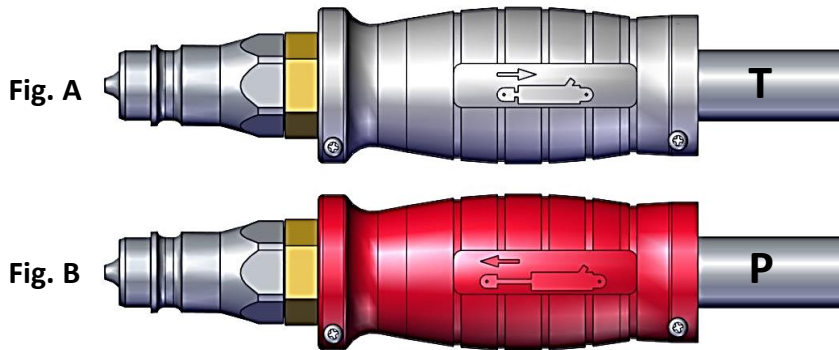


HYDRAULIC HOSES AND CONNECTIONS

K002357 - Kit - JD 2660 VT Hydraulic Hose

Before running hydraulic hose:

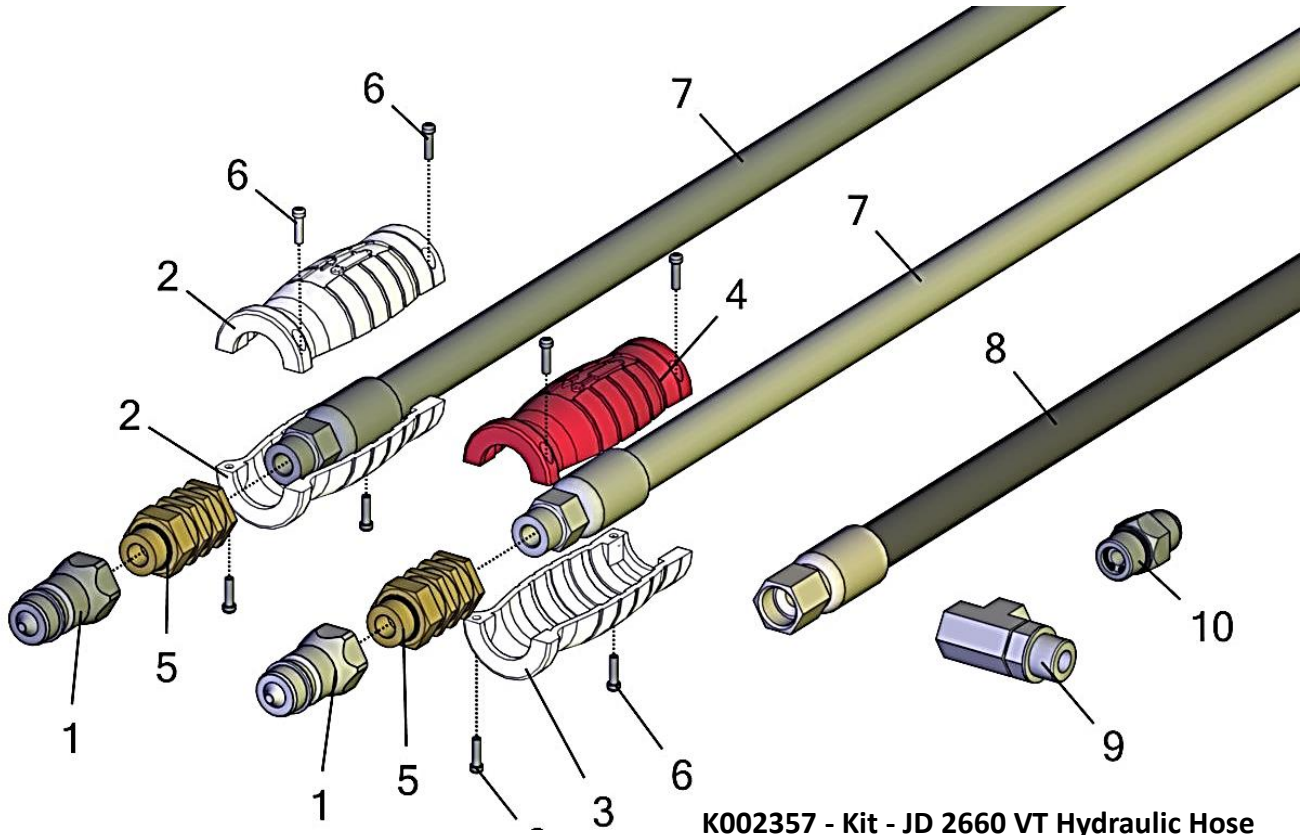
- Label one of the 27' hoses with a "T" at both ends.
- Label the other 27' hose with a "P" at both ends.
- Assemble the Hydra-Grip fittings and hand grips as shown on the next page. The 27' hose marked "T" will have a gray/gray 'retract' grip combination (Fig. A). The 27' hose marked "P" will have a red/gray 'extend' grip combination (Fig. B).



<p>Remove existing case drain fitting from hydraulic wing control manifold.</p>	<p>Assemble Montag case drain tee and check valve as shown. Attach original JD fitting into Montag tee as in the orientation shown.</p>

HYDRAULIC HOSES AND CONNECTIONS

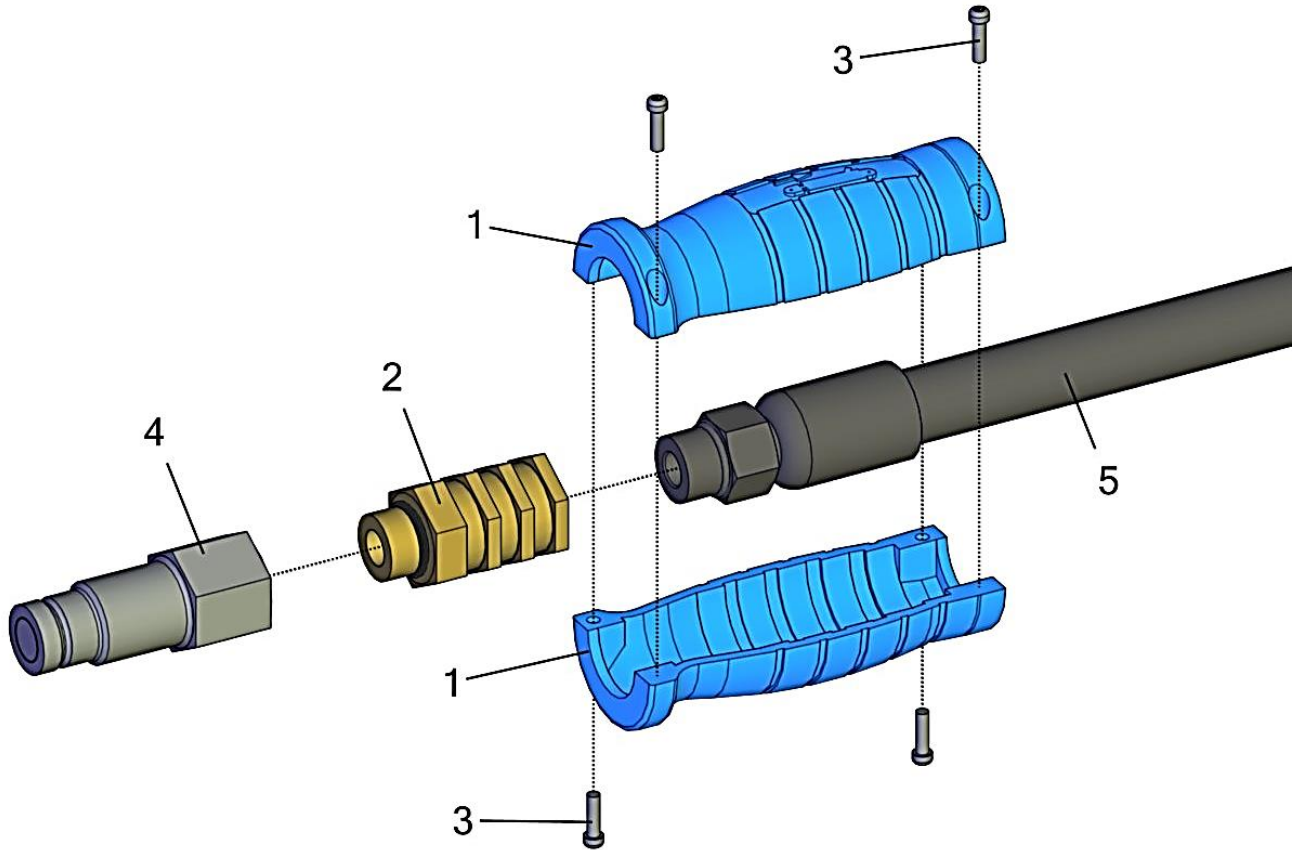
K002357 - Kit - JD 2660 VT Hydraulic Hose



K002357 - Kit - JD 2660 VT Hydraulic Hose

Item No.	Qty	Part Number	Description
1	2	P000411	Fitting - Hyd - M Pioneer Tip (1/2" body) Poppet Style x #8 F O-ring
2	2	P000555	Fitting - Hydra-Grip Gray (Retract) Half Grip
3	1	P000556	Fitting - Hydra-Grip Gray (Extend) Half Grip
4	1	P000557	Fitting - Hydra-Grip Red (Extend) Half Grip
5	2	P000558	Fitting - Hydra-Grip Core #8 O-Ring
6	8	P000559	Fitting - Hydra-Grip S/S Screws
7	2	P000561	Hose - Hydraulic 1/2" x 27' (#8 M O-Ring x #12 F JIC Swivel)
8	1	P003060	Hose - Hydraulic 1/2" x 115" (#8 F JIC x #8 F JIC)
9	1	P003061	Fitting - Hyd - 1=#8 M O-Ring, 2&3=#8 F O-Ring Tee
10	1	P003129	Fitting - Hyd - #8 M O-Ring x #8 M JIC Straight In Line Check Valve

HYDRAULIC HOSES AND CONNECTIONS
 K002459 - Kit - 2660 VT Hyd. Case Drain Extension
 (Required on VTs without hydraulic wing control option)



K002459 - Kit - 2660 VT Hyd. Case Drain Extension

Item No.	Qty	Part Number	Description
1	2	P000554	Fitting - Hydra-Grip Blue (Retract) Half Grip
2	1	P000558	Fitting - Hydra-Grip Core #8 O-Ring
3	4	P000559	Fitting - Hydra-Grip S/S Screws
4	1	P002792	Fitting - Hyd - 3/8" M Flush Face Quick Coupling x #8 F O-Ring (ISO 16028)(FF-372-8F0)
5	1	P003108	Hose - Hyd - 1/2" x 196" (#8 M O-Ring x #8 M JIC)



Montag Manufacturing, Inc.
3816 461st Avenue
Emmetsburg, IA 50536
Phone: (712) 852-4572
FAX: (712) 852-4574

Tech Support: (712) 852-4572
or
support@montagmfg.com

Visit us at:
www.montagmfg.com