



**2208**

**MONTAG MFG.**

**2019-2023**

Serial Numbers:

2019: 21297 - 21381

2020: 21398 - 21649

2021: 21670 - 21938

2022: 22022 - 22488

2023: 22522+

**PARTS MANUAL**



Color coded parts are denoted in this catalog by “\_ \_” following the p/n. When ordering replacement parts, color coded parts need to be ordered w/ their corresponding color suffix. The following is a list of color codes:

- AA = Black Paint
- ZZ = Gray Poly
- ZY = Yellow Poly
- ZX = White Poly

For example, when ordering a W002585\_ \_ in black, you would order W002585AA at time of ordering. Failure to add the color code may result in getting an unpainted part, rather than a painted one.

**Major changes for the 2019 model year include:**

- Released Gen 2 2208 for Production.
- Updated Cradle and Meter.
- Replaced S/S Tanks with Poly Tanks

**Major changes for the 2020 model year include:**

- Added 4 Section Option.

**Major changes for the 2021 model year include:**

- Removed Agitator Covers.
- Updated Platform
- Added Internal Sensor Slidegate Cylinder Option

**Major changes for the 2020 model year include:**

- Added High-Speed Fan Option.
- Updated SMV Mount.

**Major changes for the 2021 model year include:**

- Added 1 Product 2 Section Option.

<b>List Of Operations Manuals For Gen 2</b>	
P003162	Document - Montag Mfg. Gen 2 Operators Manual
P003071	Document - Montag DRC Operation Manual
P002957	Document - Montag Dry Rate Controller Quick Reference Guide
(Check <a href="http://www.montagmfg.com/support/">www.montagmfg.com/support/</a> For Latest Versions)	

## Table of Contents

**2208 - 2019-2021**

<b>Gen 2 2X08 Configurator Options.....</b>	<b>07</b>
2208 - ASSEMBLIES AND WELDMENTS OVERVIEW.....	08-11
Base Units.....	12-19
Fan End Accessories.....	20-21
Cradle.....	22-23
Load Cell Area.....	24-25
Manifold – Hydraulic Sub-Assembly and Air Gauge.....	26-27
Manifold - Hydraulic Control (Single Section - Single Product).....	28-29
Manifold - Hydraulic Control, Hyd. Slide Gate (Earlier Models Only).....	30-31
Manifold - Hydraulic Dual Product Control, Hyd. Slide Gate.....	32-33
Manifold - Hydraulic Dual Product Control, No Hyd. Slide Gate.....	34-35
Fan and Plenum Area.....	36-37
Fan / Transition.....	38-39
Fan Assembly w/Motor.....	40-41
Fan Assembly w/High Speed Motor.....	42-43
Fan Housing Assembly.....	44-45
Plenum Assembly.....	46-47
Rear Plenum Area.....	48-49
Plenum Tray.....	50-51
Plenum Tray Assembly.....	52-53
Air Hose Manifolds.....	54-55
Manual Holder.....	56-57
TANKS AND TROUGHS	
Poly Tanks and Lid Area.....	58-59
Tank Lid Assembly.....	60-61
Tank Rings.....	62-63
Tank To Meter.....	64-65
Tank Assembly	
Trough – Shield and Bracket (LH and RH).....	66-67
Trough – Non-Cylinder End (LH and RH).....	68-69
Trough – Hanger and Bracket (LH and RH).....	70-71
Trough – Slide Gate And Trough Support (LH and RH).....	72-73
Manual Slide Gate Cylinder Mounting.....	74-75
Manual Slide Gate Cylinder Assembly.....	76-77
Hydraulic Slide Gate Cylinder Mounting.....	78-79
Inside Tank Area.....	80-81
Non-Cylinder End Agitator Covers (Pre-2020).....	82-83

## Table of Contents (continued)

### PLATFORMS

2208 Dual Deck Assembly w/Ladder.....	84-87
2X08 Single Step Complete.....	88-89
Platform - Deck (18" X 24").....	90-91
2X08 Platform Bolt-On Ladder Complete.....	92-93
Swing Ladder Add-On.....	94-95
Rigid Ladder Extension.....	96-97

### ROW KITS OVERVIEW

Row Kits and Components.....	98-99
Row Layout and Hose Length Charts.....	100-101
Cartridges, Air Chambers, and Gear Boxes	
Cartridge – Long.....	102-103
Cartridge – Short.....	104-105
Augers, Long and Short.....	106-107
Cartridge – Blank.....	108-109
Air Chamber – Blank.....	108-109
Air Chamber Assembly.....	110-111
Gear Box Assembly.....	112-113

### HYDRAULIC SECTION KITS

Complete Section AND Slidegate Kits.....	115
1 Product - 1 Section (Manual Slidegate)	
Hoses.....	116-117
Hydraulic Block.....	118-119
Motors And Speed Sensor.....	120-121
1 Section Drive Shafts And Covers.....	120-121
Hydraulic Slide Gate Cylinders, Fittings, and Hoses.....	122-123
2 Product - 1 Section (Hydraulic Slide Gate)	
Hoses.....	124-125
Hydraulic Block - 2 Product - Mechanical Slide Gate.....	126-127
Hydraulic Block - 2 Product - Hydraulic Slide Gate.....	128-129
Motors and Cylinders.....	130-131
1 Section Drive Components.....	130-131
2 Product - 2 Section	
Hoses.....	132-133
Fan Motor, Front Tee.....	134-135
2 Section Drive Components.....	134-135
Speed Sensors and Drive Motors (Tank 2).....	136-137
Speed Sensors and Drive Motors (Tank 1).....	138-139
Motor - Hyd. 4.5 CU/IN (CW).....	140-141
Motor - Hyd. 4.5 CU/IN (CCW).....	142-143

## Table of Contents (continued)

### HYDRAULIC SECTION KITS (CONTINUED)

2 Product - 3 Section	
Hoses (Fan End).....	144-145
Hoses (Non-Fan End).....	146-147
Fan Motor and Center Tee.....	148-149
3 Section Drive Components.....	148-149
3 Section Non-Fan End Motors and Tee.....	150-151
2 Product - 4 Section	
Hoses (Fan End).....	152-153
Hoses (Non-Fan End).....	154-155
4 Section Motors and Tee.....	156-157
Four Section Drive Shafts.....	158-159

### ELECTRICAL ACCESSORIES

Montag Dry Rate Controller Harness.....	160-161
Rate Controller Kit.....	162-163
ECU – Mount and Enclosure.....	164-165
Load Cell and Section Control Motor Connections.....	166-167
J-Box.....	168-169
Junction Block.....	170-171

### MISCELLANEOUS

Miscellaneous Components Kit.....	172-173
ECU Diagnostic ISOBUS Download.....	172-173

### DECALS

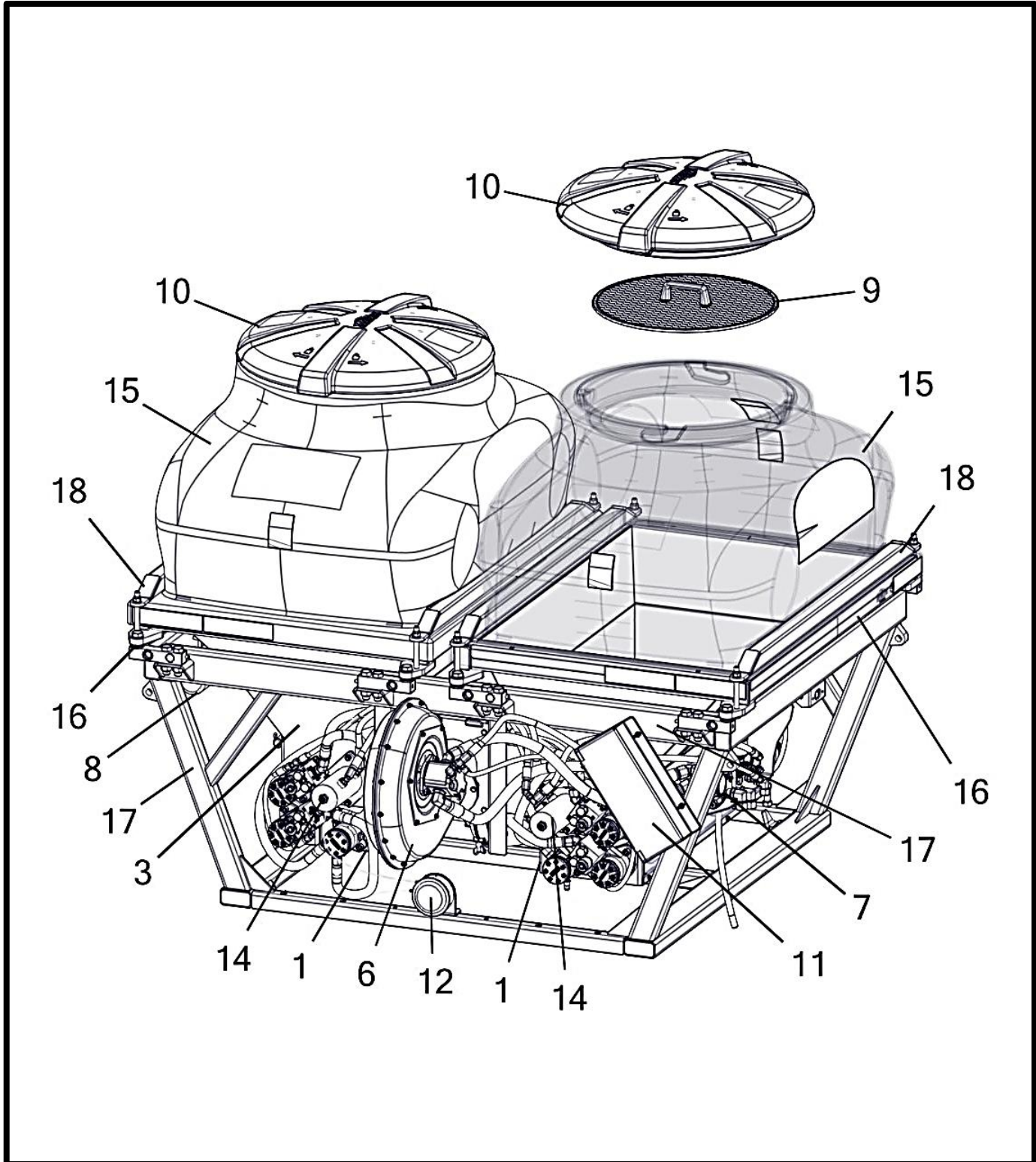
Decal Placement .....	174-179
-----------------------	---------

## Gen 2 2X08 Configu

	Series	Rows	Output	Tank Size	# of Tanks	# of Sections	# of Products	Slide Gate
Example P/N:	U	2 4 6 8	A C	2 3	1 2	1-4	1 2	M H
U8A2242MBII-ZX	U	8	A	2	2	4	2	M
	2X08 Series							Available
		2	A= Non-Fan (2")	2= 30 CuFt	1	1	1	(M)echanical Non Fan
		4	C= Fan Side (2")	3= 50 CuFt	2	2	2	(H)ydraulic
		6				3		(F)an Side
		8				4		

Generator Options			
Platform	Scales	Tech Package	- Color
B C D E F G H	N D I J	N I G R	ZZ ZY ZX
B	I	I	-ZX
<b>Generator Options</b>			
B = None	None	(N)one	ZZ = GRAY
C = Single RH Non-Fan (2108)	(I)SO	(I)SO	ZY = YELLOW
D = Dual RH Non-Fan (2208)	(D)igital	(G) 37 Pin 1 section	ZX = WHITE
E = Dual LH Non-Fan (2208)	(J)D ISO	(R) 47 Pin (P003041)	
F = Dual RH Fan (2208)			
G = Dual LH Fan (2208)			
H = Single LH Non-Fan (2108)			

## 2208 Overview (Fan End)

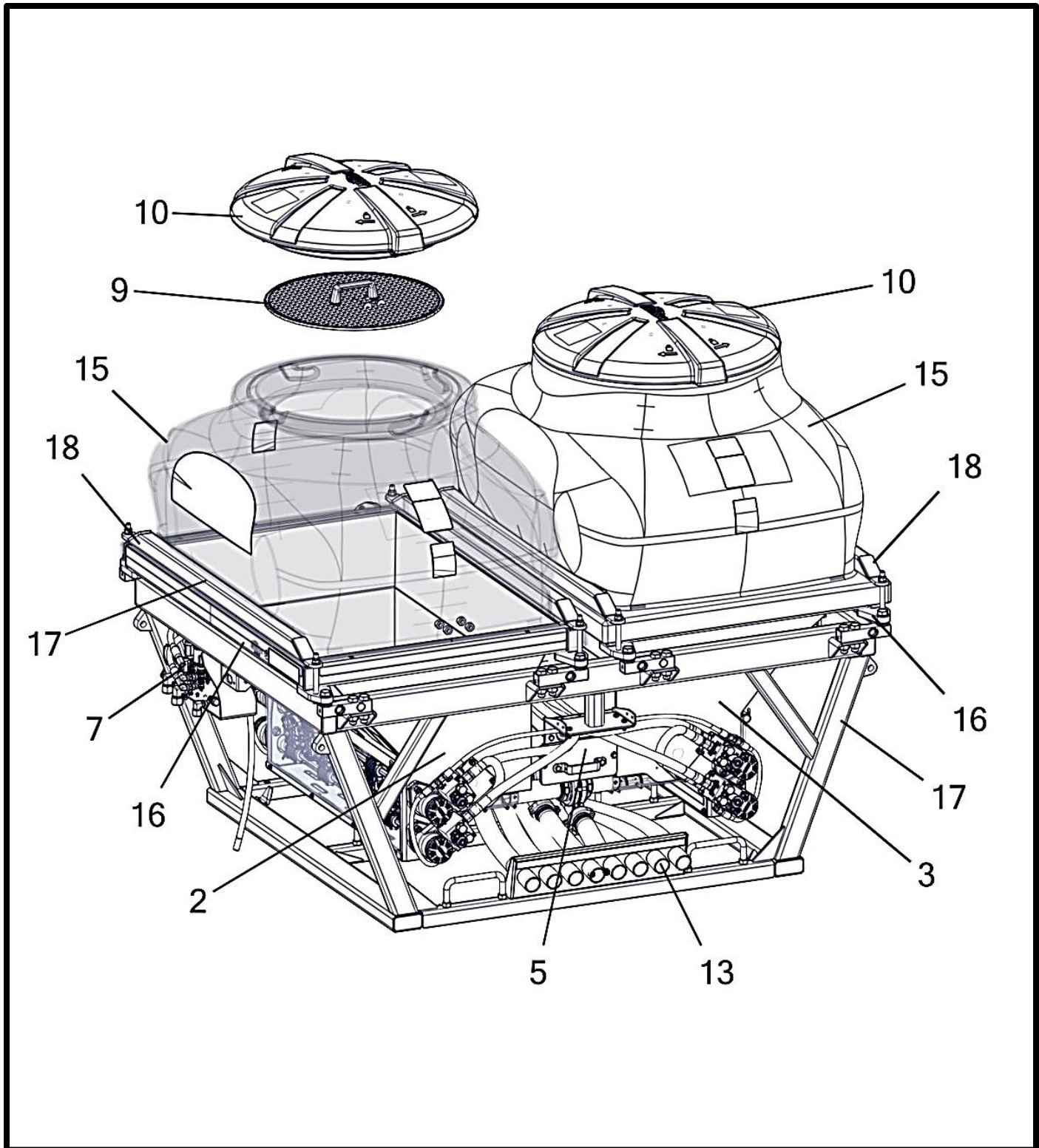




## 2208 Overview (Fan End)

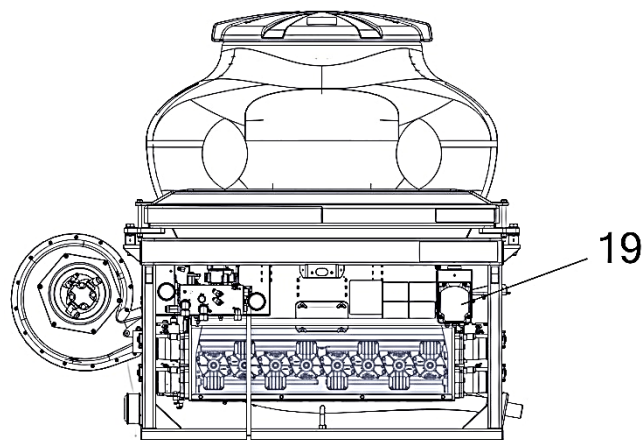
Item No.	Qty	Part Number	Description
1	2	A002155	Bracket Assembly- Encoder Motor Mounting
2	1	A002251	Meter - 2208 Assembly (LH) (2018+)
3	1	A002253__	Meter - 2208 Assembly (RH) (2018+)
4	1	A002255	Plenum - Sub-Assembly Phantom 2208 (No Tray) (2018+)
5	1	A002256	Plenum - Sub-Assembly Tray 2208 (2018+) (Reversible)
6	1	A002265__	Fan / Transition - Assembly 6" x 10°
7	1	A002269	Manifold - Hydraulic Dual Product Control (w/Hardware)
8	1	A002272	Holder - Instruction Manual Sub-Assembly w/Mount Bolts
9	2	A002275	Screen - Gen II 8 Row (3/4" C/C) (2018+)
10	2	A002276	Lid - Complete 2208 Poly Tank
11	1	A002430	ECU - Montag Dry Rate Controller w/Mag. Mount
12	1	A002474__	Gauge - Dwyer Air (No Logo) w/Mag. Mount
13	1	A002485	Manifold - Air Hose Sub-Assembly Gen II 2208 (Non-Fan End)
14	2	A002506__	Cylinder - Slide Gate Sub-Assembly (Rear Sensor)
15	2	P002902__	Tank - 2208 30 Cu.Ft. Poly
	2	P002912__	Tank - 2208 50 Cu.Ft. Poly <b>(Not Shown)</b>
16	2	W002568__	Frame - Poly Tank Mount Gen II 2208
17	1	W002569__	Cradle - Gen II 2208
18	4	W002593__	Bracket - Poly Tank Clamp Gen II 2208
19	1	A002476	ECU - ISO Scale Mag. Mount (2 Product)

## 2208 Overview (Non-Fan End)

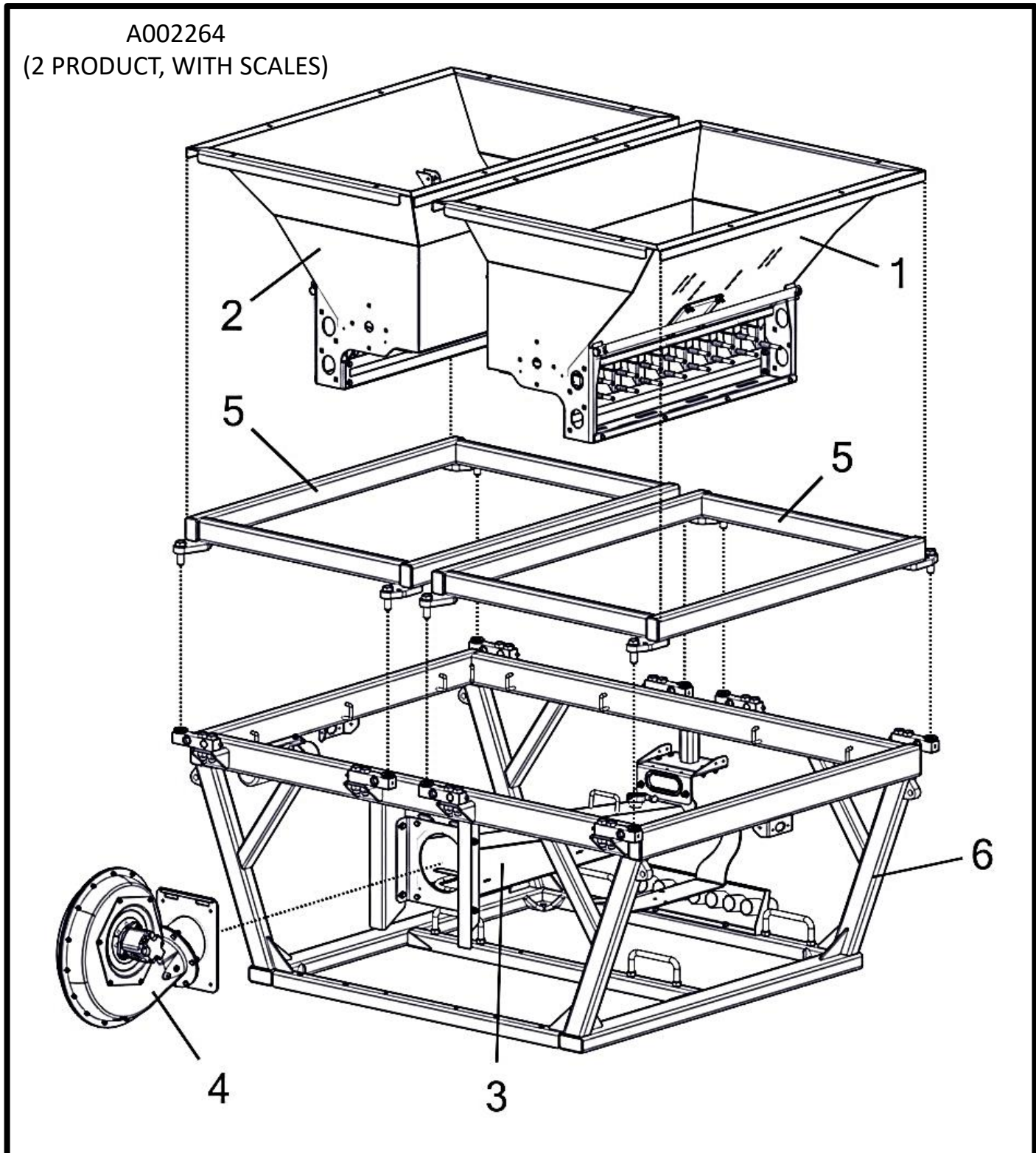


## 2208 Overview (Non-Fan End)

Item No.	Qty	Part Number	Description
1	2	A002155	Bracket Assembly- Encoder Motor Mounting
2	1	A002251	Meter - 2208 Assembly (LH) (2018+)
3	1	A002253__	Meter - 2208 Assembly (RH) (2018+)
4	1	A002255	Plenum - Sub-Assembly Phantom 2208 (No Tray) (2018+)
5	1	A002256	Plenum - Sub-Assembly Tray 2208 (2018+) (Reversible)
6	1	A002265__	Fan / Transition - Assembly 6" x 10°
7	1	A002269	Manifold - Hydraulic Dual Product Control (w/Hardware)
8	1	A002272	Holder - Instruction Manual Sub-Assembly w/Mount Bolts
9	2	A002275	Screen - Gen II 8 Row (3/4" C/C) (2018+)
10	2	A002276	Lid - Complete 2208 Poly Tank
11	1	A002430	ECU - Montag Dry Rate Controller w/Mag. Mount
12	1	A002474__	Gauge - Dwyer Air (No Logo) w/Mag. Mount
13	1	A002485	Manifold - Air Hose Sub-Assembly Gen II 2208 (Non-Fan End)
14	2	A002506__	Cylinder - Slide Gate Sub-Assembly (Rear Sensor)
15	2	P002902__	Tank - 2208 30 Cu.Ft. Poly
	2	P002912__	Tank - 2208 50 Cu.Ft. Poly <b>(Not Shown)</b>
16	2	W002568__	Frame - Poly Tank Mount Gen II 2208
17	1	W002569__	Cradle - Gen II 2208
18	4	W002593__	Bracket - Poly Tank Clamp Gen II 2208
19	1	A002476	ECU - ISO Scale Mag. Mount (2 Product)

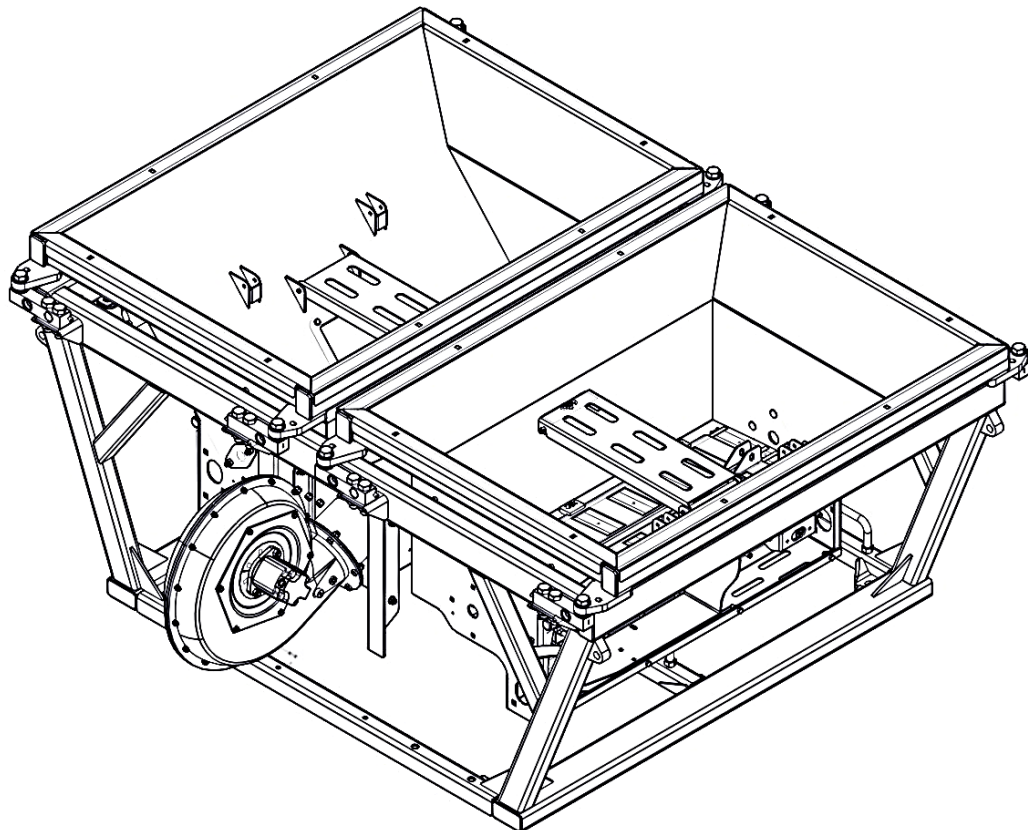


### Base Units

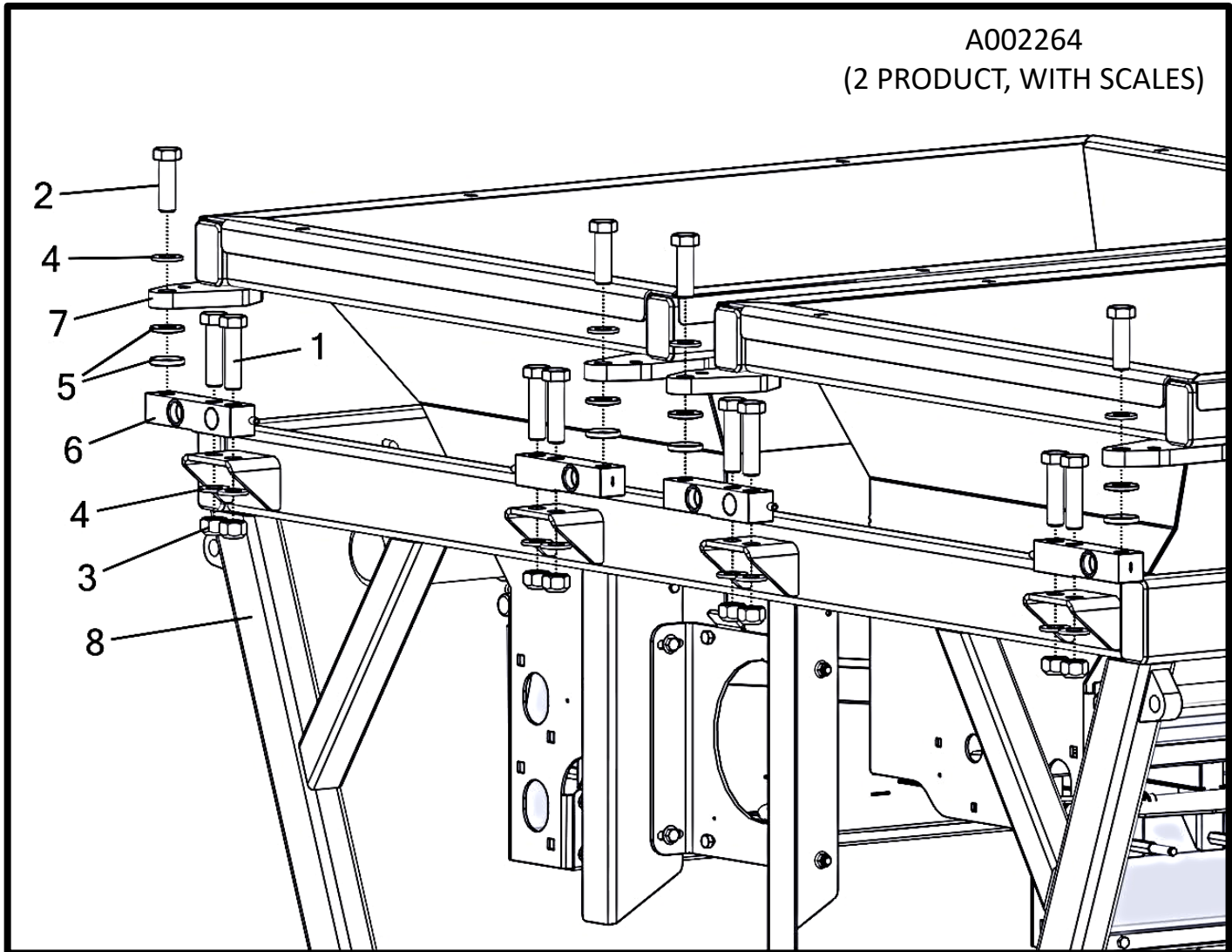


## Base Units

Item No.	Qty	Part Number	Description
		<b>A002264__</b>	<b>Gen II - 2019 2208 Base Unit, 2 Product - With Scales</b>
		<b>A002260__</b>	<b>Gen II - 2019 2208 Base Unit, 1 Product - No Scales (not shown)</b>
		<b>A002262__</b>	<b>Gen II - 2019 2208 Base Unit, 2 Product, No Scales (not shown)</b>
1	1	A002251	Meter - Gen II 2208 Assembly (LH) (2018+)
2	1	A002253	Meter - Gen II 2208 Assembly (RH) (2018+)
3	1	A002255__	Plenum - Sub-Assembly Phantom 2208 (No Tray) (2018+)
4	1	A002265__	Fan / Transition - Assembly 6" x 10"
5	2	W002568__	Frame - Poly Tank Mount Gen II 2208
6	1	W002569__	Cradle - Gen II 2208 (2018+)



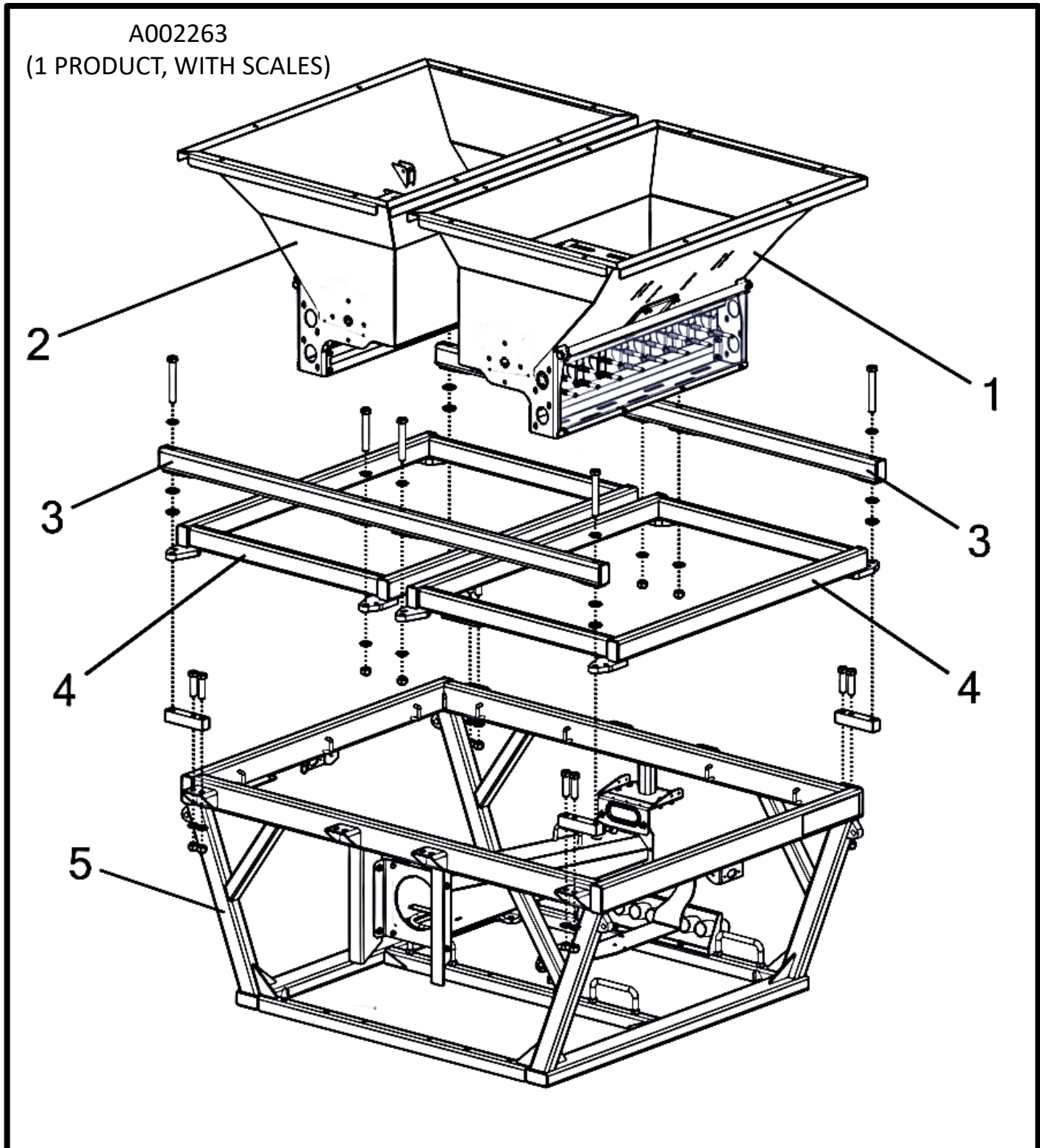
## Base Units



## Base Units

Item No.	Qty	Part Number	Description
		<b>A002264__</b>	<b>Gen II - 2019 2208 Base Unit, 2 Product - With Scales</b>
		<b>A002260__</b>	<b>Gen II - 2019 2208 Base Unit, Single Product - No Scales (not shown)</b>
		<b>A002262__</b>	<b>Gen II - 2019 2208 Base Unit, 2 Product, No Scales (not shown)</b>
1	16	P000047	Bolt - 3/4-10 x 3 x 1.75 Hex (GR 5 M/S FA)
2	8	P000055	Bolt - 3/4-16 x 2.5 x 1.75 Hex (GR 5 M/S FA)
3	16	P000061	Nut - 3/4-10 Hex Metal Lock (GR 5 M/S FA)
4	24	P000766	Washer - 3/4" SAE Flat (1.469" OD) (GR 5 M/S FA)
5	8	P002146	Washer - 3/4" Spherical Self Aligning
6	8	P002739	Scale - Load Cell (10K) w/DT 6 Pin (14')
	8	M003225__	Scale - Load Cell (10K) Blank (Non-Operational, Block Only) (Not Shown)
7	2	W002568__	Frame - Poly Tank Mount Gen II 2208
8	1	W002569__	Cradle - Gen II 2208 (2018+)

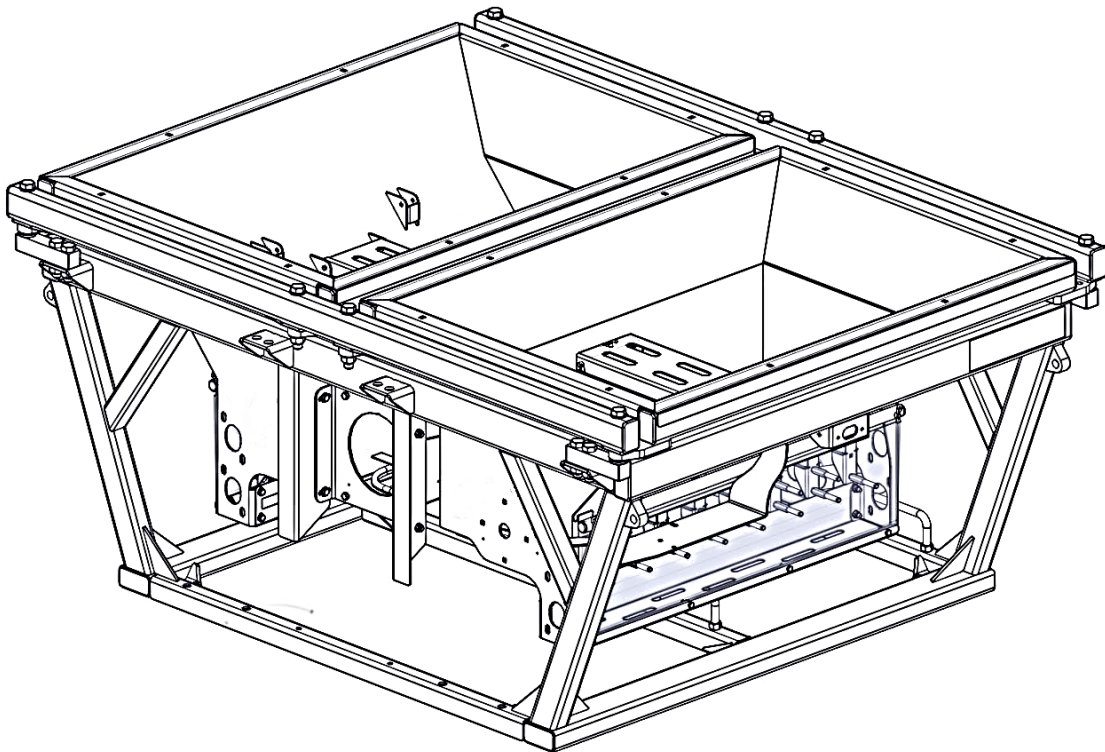
### Base Units



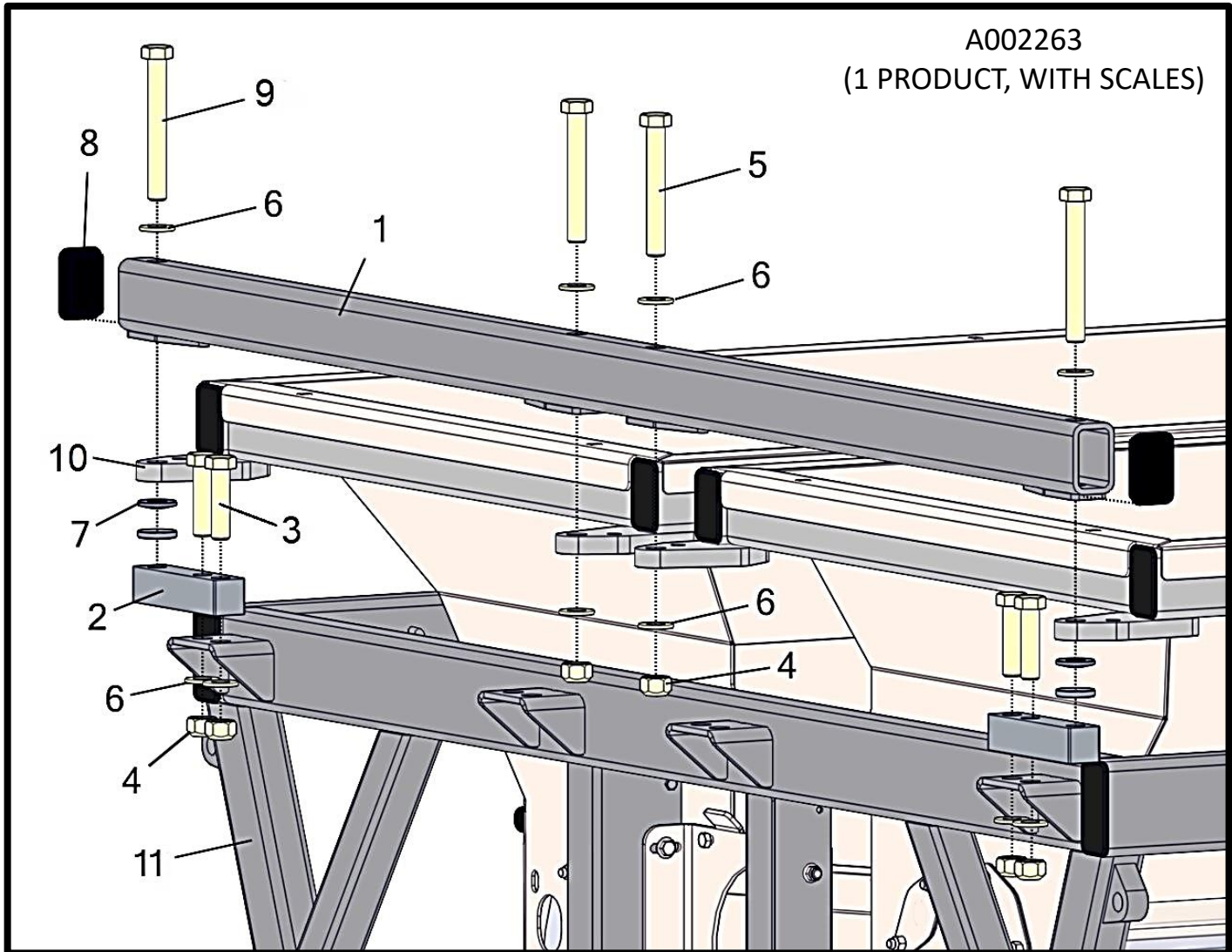


## Base Units

Item No.	Qty	Part Number	Description
		<b>A002263__</b>	<b>Gen II - 2019 2208 Base Unit, 1 Product, With Scales</b>
1	1	A002251	Meter - Gen II 2208 Assembly (RH) (2018+)
2	1	A002253	Meter - Gen II 2208 Assembly (LH) (2018+)
3	2	A002268__	Tube - Single Product Tank Connector Sub-Assembly Gen II 2208
4	2	W002568__	Frame - Poly Tank Mount Gen II 2208
5	1	W002569__	Cradle - Gen II 2208 (2018+)



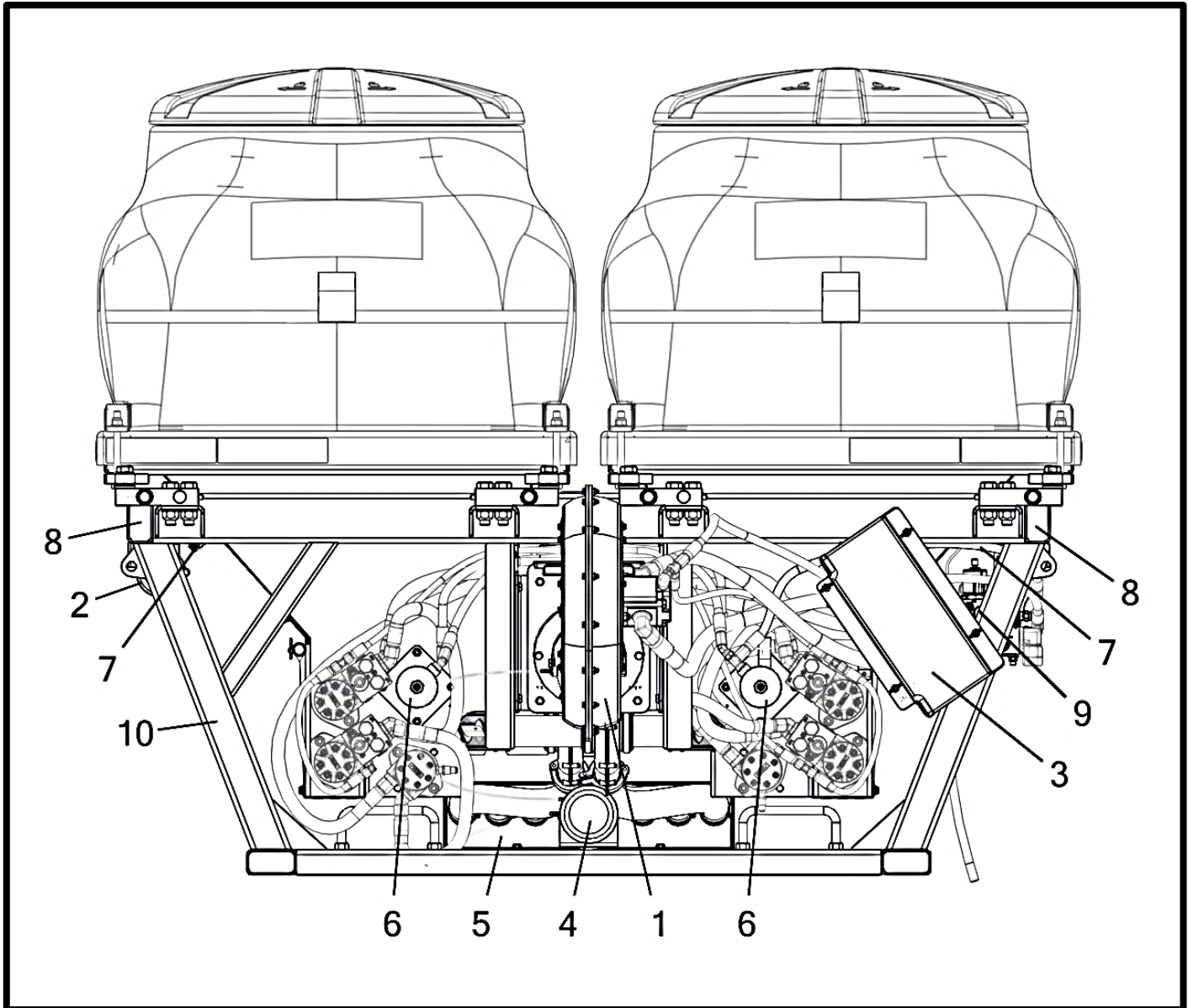
### Base Units



## Base Units

Item No.	Qty	Part Number	Description
		<b>A002263__</b>	<b>Gen II - 2019 2208 Base Unit, 1 Product, With Scales</b>
1	2	A002268__	Tube - Single Product Tank Connector Sub-Assembly Gen II 8 Row
2	4	P002739	Scale - Load Cell (10K) w/DT 6 Pin (14')
3	8	P000047	Bolt - 3/4-10 x 3 x 1.75 Hex (GR 5 M/S FA)
4	12	P000061	Nut - 3/4-10 Hex Metal Lock (GR 5 M/S FA)
5	4	P000585	Bolt - 3/4-10 x 5.5 x 1.75 Hex (GR 5 M/S FA)
6	20	P000766	Washer - 3/4" SAE Flat (1.469" OD) (GR 5 M/S FA)
7	4	P002146	Washer - Self Aligning
8	3	P002204	Cap - 3" x 2" Plastic (6-8 Ga)
9	3	P002888	Bolt - 3/4-16 x 6 x 1.75 Hex (GR 5 M/S FA)
10	2	W002568__	Frame - Poly Tank Mount Gen II 8 Row
11	1	W002569__	Cradle - Gen II 8 Row (2018+)

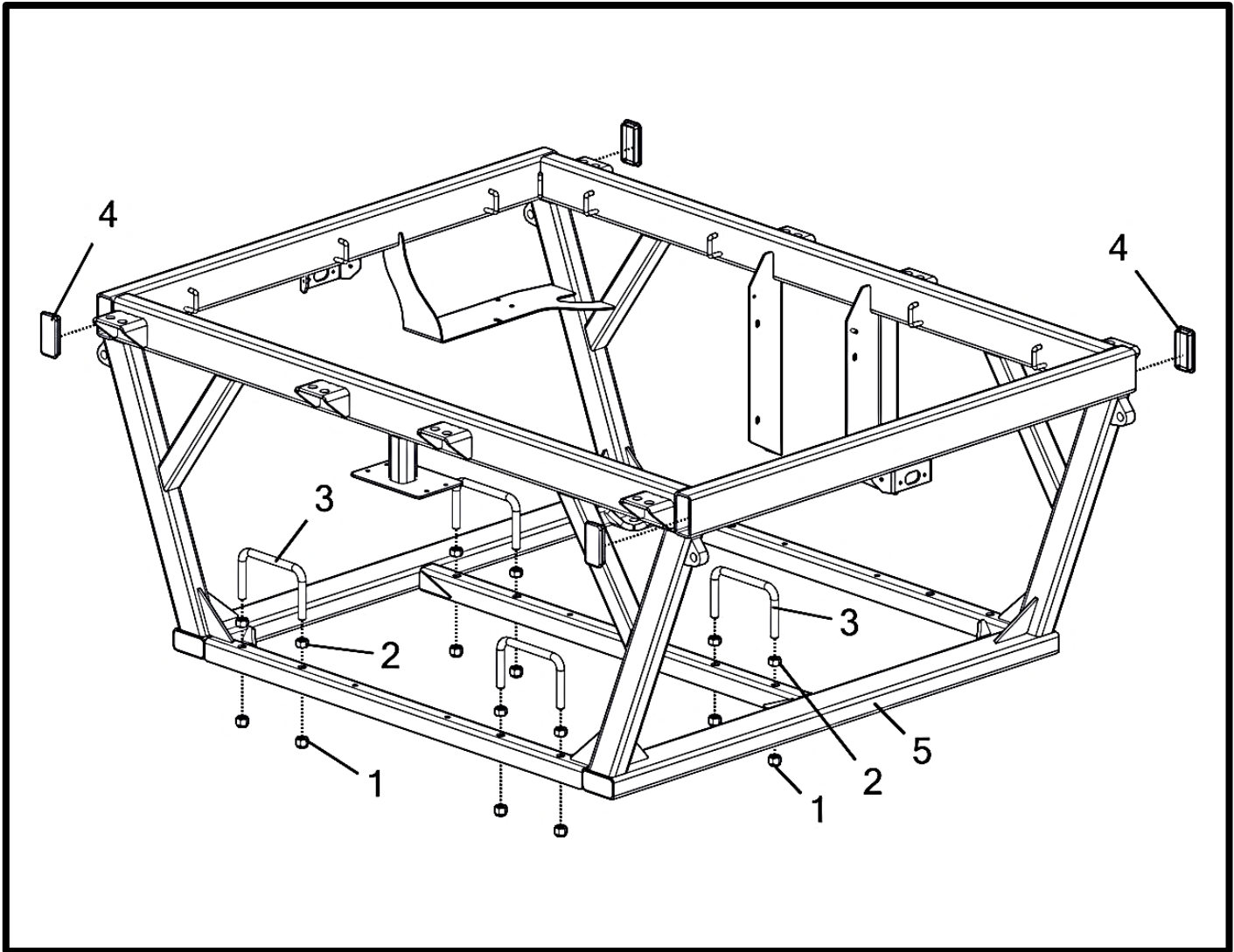
## Fan End Accessories



## Fan End Accessories

Item No.	Qty	Part Number	Description
1	1	A002265__	Fan / Transition - Assembly 6" x 10°
2	1	A002272	Holder - Instruction Manual Sub-Assembly w/Mount Bolts
3	1	A002430	ECU - Montag Dry Rate Controller w/Mag. Mount
4	1	A002474__	Gauge - Dwyer Air (No Logo) w/Mag. Mount
5	1	A002485	Manifold - Air Hose Sub-Assembly Gen II 2208 (Non-Fan End)
6	2	A002506__	Cylinder - Slide Gate Sub-Assembly (Rear Sensor)
7	1	P003130	Manifold - Hydraulic Dual Product Control (Less Fan Override) (PS-01564-VVA-01)
8	4	P002885	Cap - 2" x 4" Plastic (6-11 Ga)
9	1	P003048	Manifold - Hydraulic Dual Product Control (Less Fan Override) (VA2873-16-B)
10	1	W002569__	Cradle - Gen II 2208

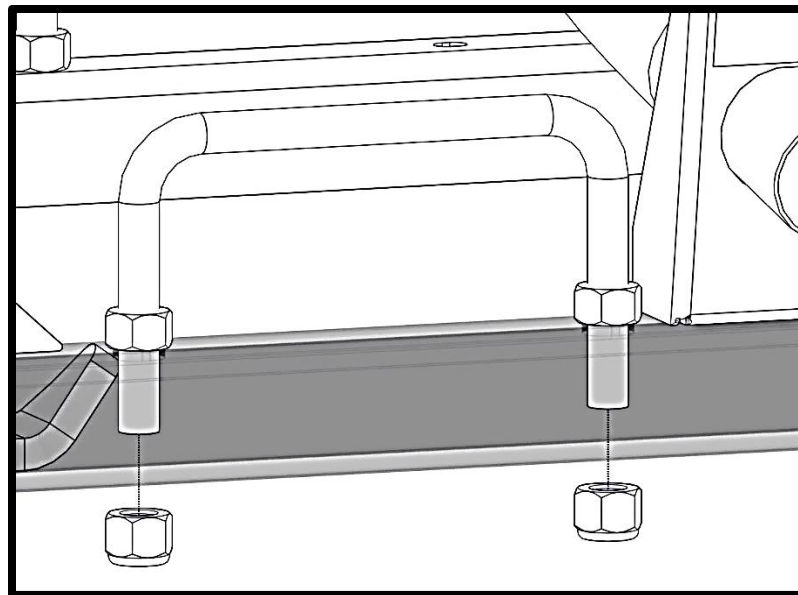
# Cradle



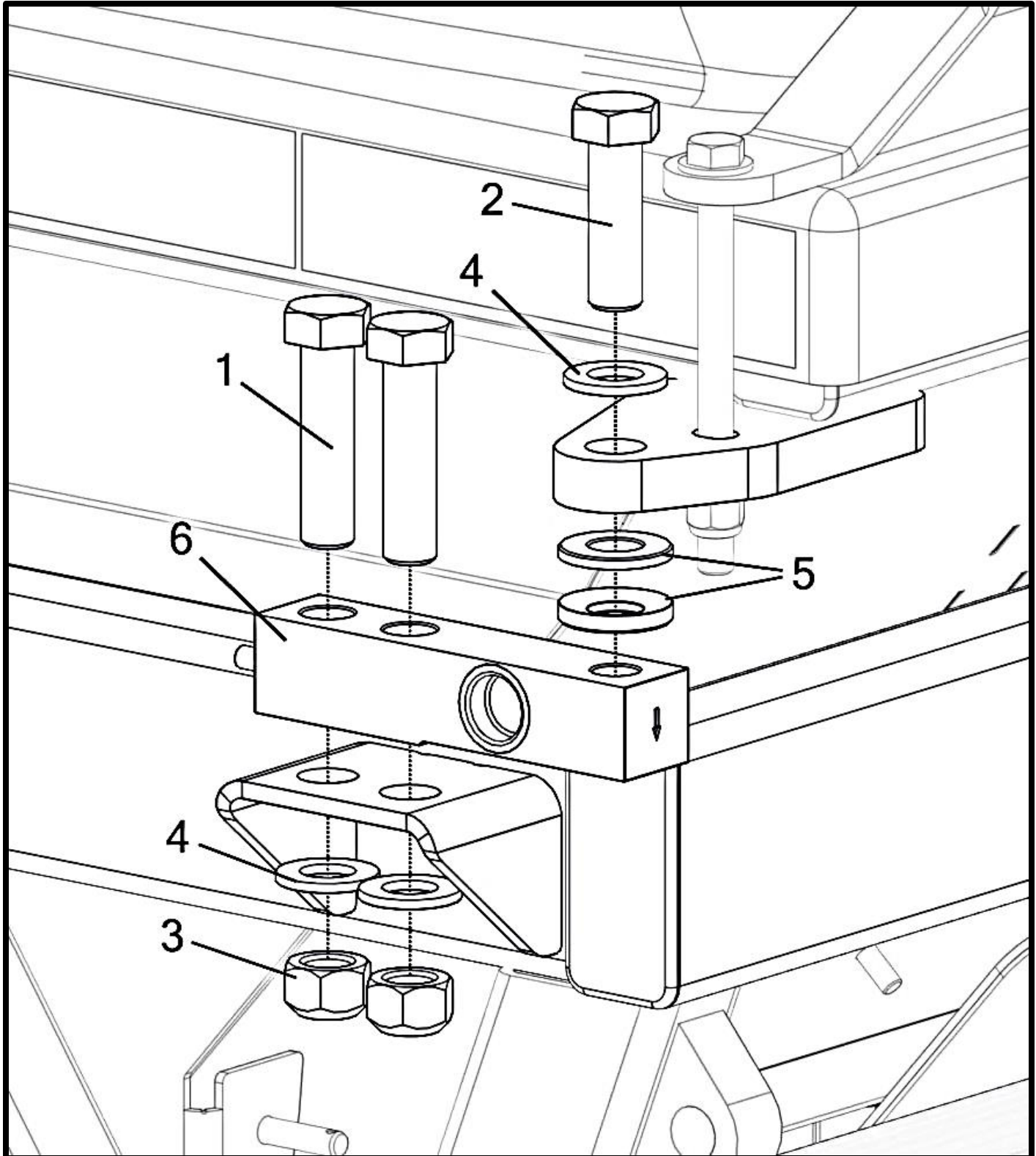
## Cradle

Item No.	Qty	Part Number	Description
1	8	P000060	Nut - 5/8-11 Hex Nylon Lock (GR 5 M/S FA) *
2	8	P000320	Nut - 5/8-11 Hex (GR 5 M/S FA) *
3	4	P002849	U-Bolt - 5/8-11 x 7 x 4-1/4 Square (GR 8 M/S FA)
4	4	P002885	Cap - 2" x 4" Plastic (6-11 Ga)
5	1	W002569	Cradle - Gen II 2208 (2018+)

(\*) Included in K002209 - Kit - Forklift U-Bolt Mount Hardware Gen II 2208



### Load Cell Area



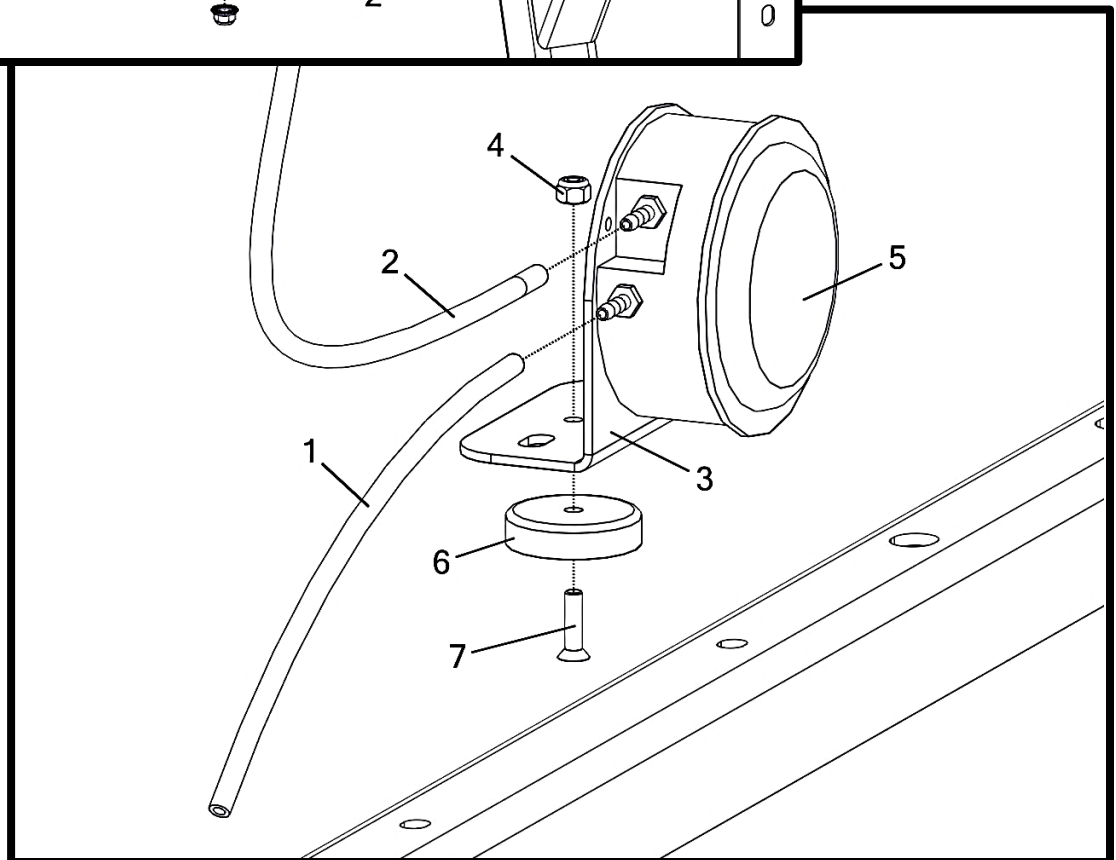
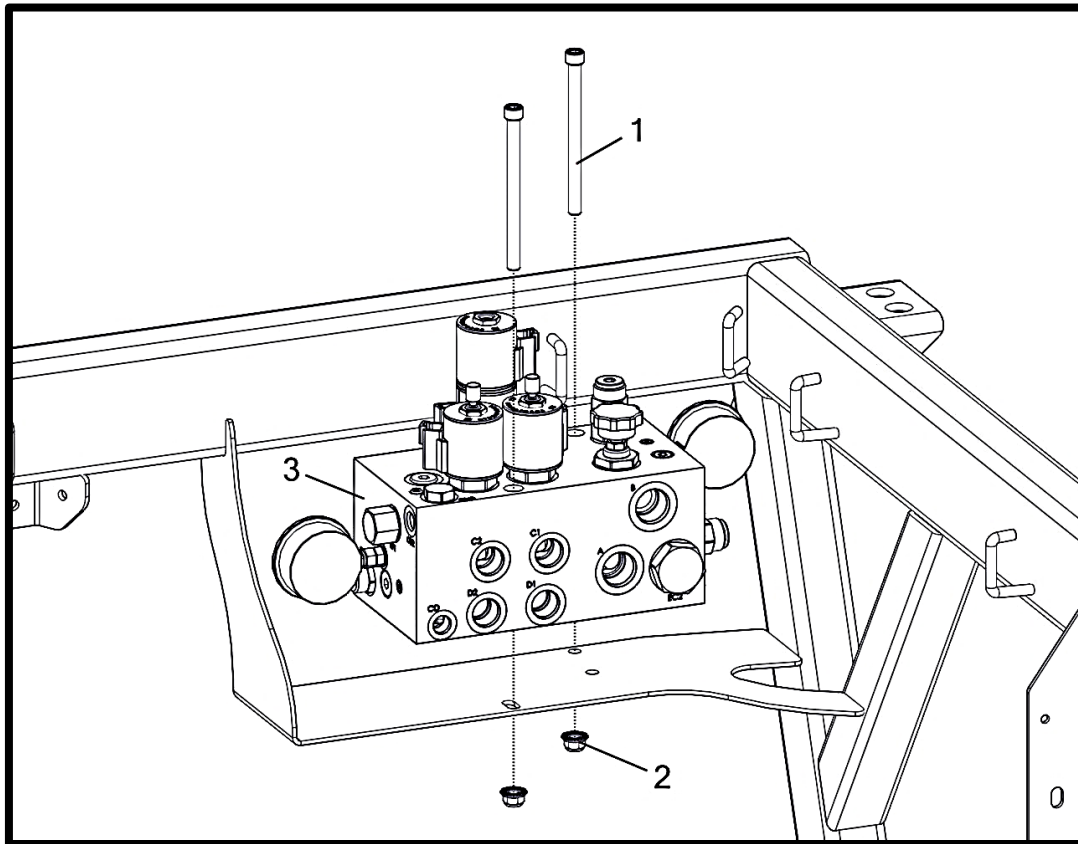


## Load Cell Area

Item No.	Qty	Part Number	Description
1	16	P000047	Bolt - 3/4-10 x 3 x 1.75 Hex (GR 5 M/S FA) *
2	8	P000055	Bolt - 3/4-16 x 2.5 x 1.75 Hex (GR 5 M/S FA) *
3	16	P000061	Nut - 3/4-10 Hex Metal Lock (GR 5 M/S FA) *
4	24	P000766	Washer - 3/4" SAE Flat (1.469" OD) (GR 5 M/S FA) *
5	8	P002146	Washer - 3/4" Spherical Self Aligning *
6	8	P002739	Scale - Load Cell (10K) w/DT 6 Pin (14')

(\* ) Included in K002154 - Kit - Load Cell (10K) (Scale-Tec) Hardware Gen 2

## Hydraulic Manifold Attach and Air Gauge



## HYDRAULIC MANIFOLD ATTACH

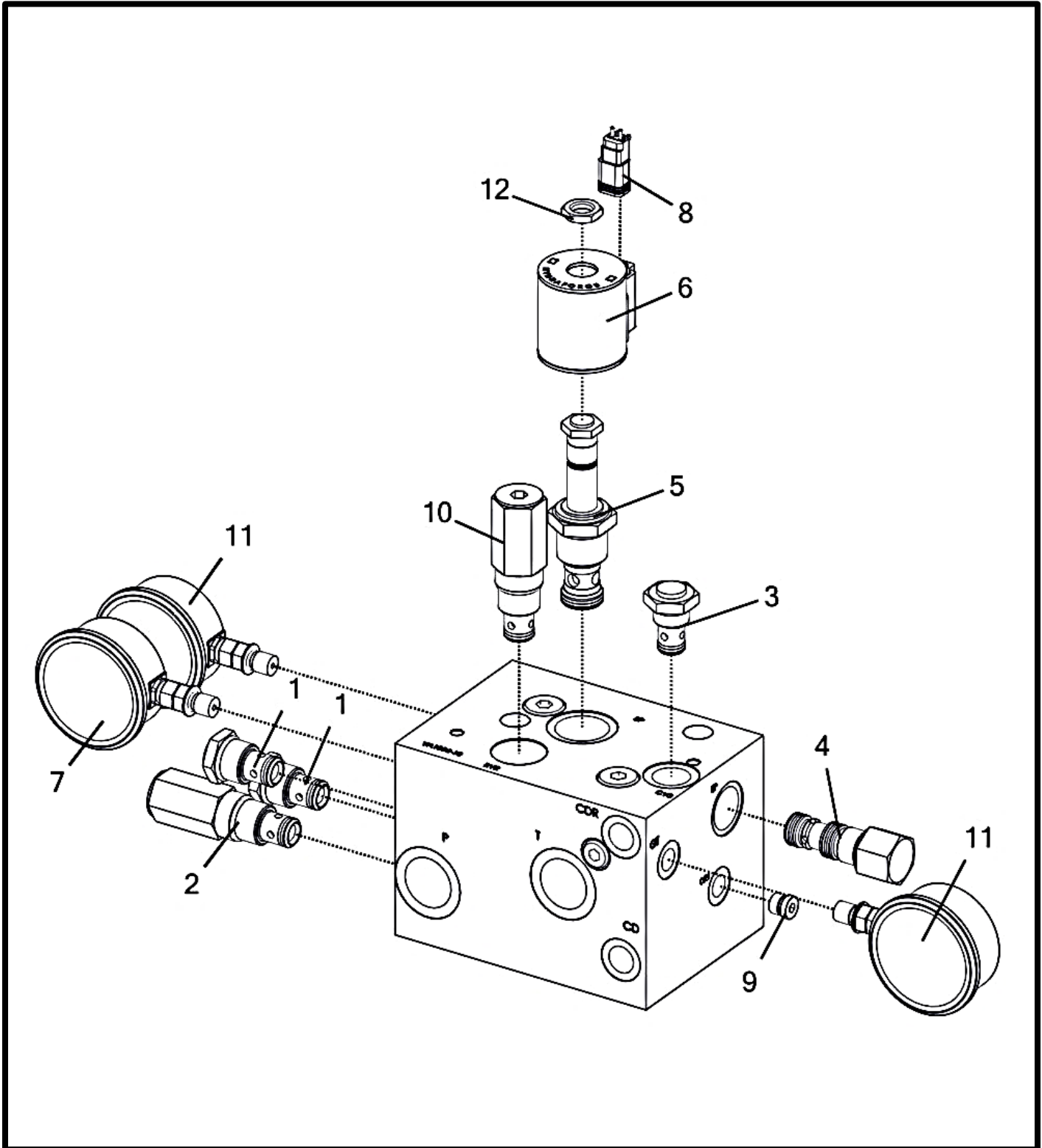
Item No.	Qty	Part Number	Description
1	2	P000619	Bolt - 3/8-16 x 5 x 1 Socket Head (18-8 S/S FB) *
2	2	P002225	Nut - 3/8-16 Flange Nylon Lock (18-8 S/S FB) *
3	1	P002227	Manifold - Hydraulic Dual Product Control (VA2873-16)

(\* ) Included in K002090 - Kit - Hydraulic Manifold Mount Hardware

## AIR GAUGE WITH MAGNETIC MOUNT

Item No.	Qty	Part Number	Description
		<b>A002474_ _</b>	<b>Gauge - Dwyer Air (No Logo) w/Mag. Mount</b>
1	1	M001044	Hose - Air Gauge Breather Tube
2	1	M003044	Hose - Air Pressure Gauge (60")
3	1	M003358_ _	Bracket - Dwyer Air Gauge Mag. Mount
4	1	P000103	Nut - 1/4-20 Hex Nylon Lock (F594 316 S/S FB)
5	1	P000812	Gauge - Dwyer Air 0-30" WC (No Logo)
6	1	P002467	Magnet - 2" X 200 Lbs. (Cup 51)
7	1	P002469	Screw - 1/4-20 x 1 Machine Flat Head Phillips (18-8 S/S FB)

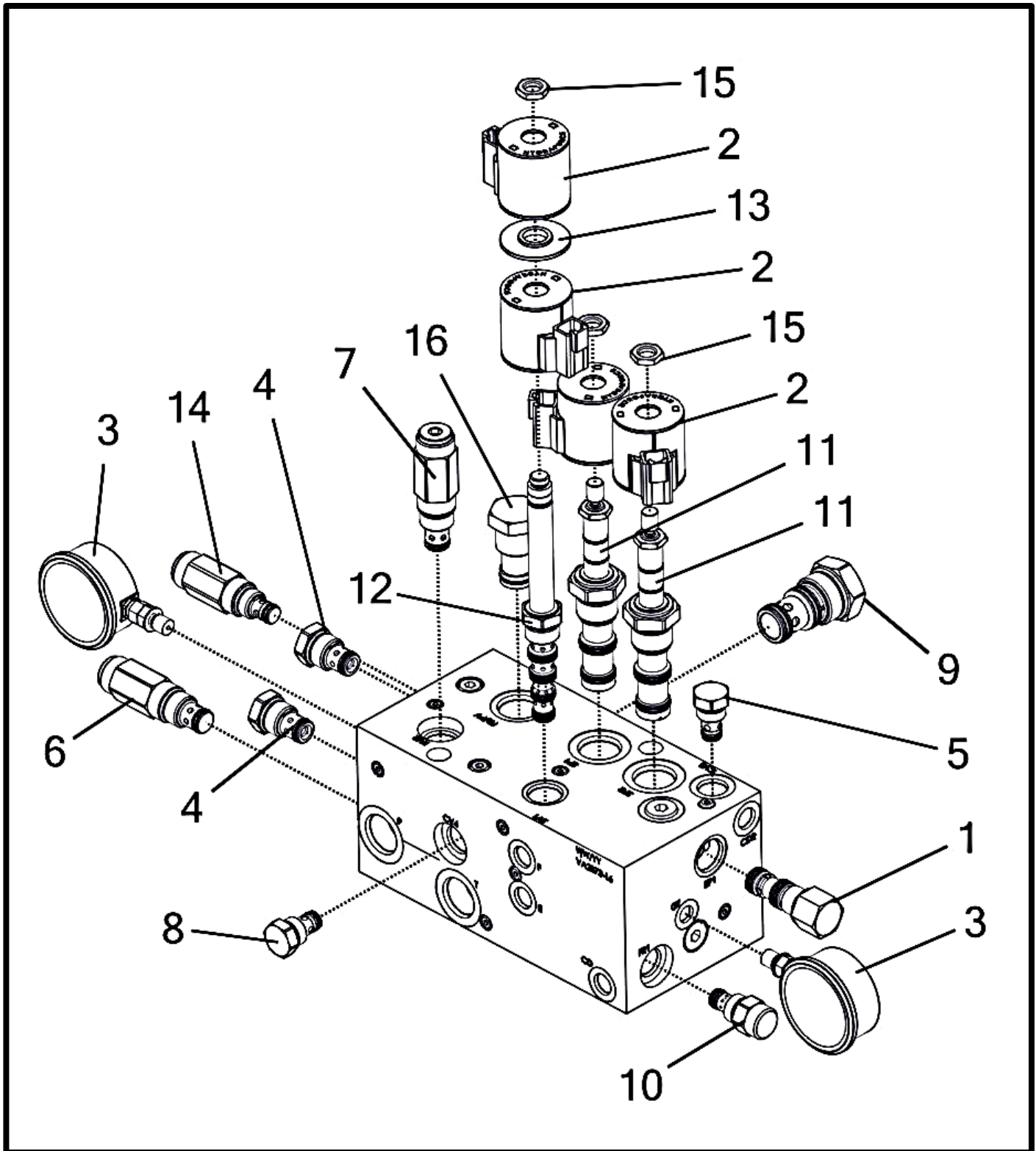
# Manifold - Hydraulic Control (REV B) (P000352) (Single Section - Single Product ONLY)



## Manifold - Hydraulic Control (REV B) (P000352) (Single Section - Single Product ONLY)

Item No.	Qty	Part Number	Description
1	2	P000355	Valve - Hyd. - #10 Size Check, 20 GPM, 10 PSI (565845)
		P002568	Kit - 565803 Replacement Seal
2	1	P000356	Valve - Hyd. - #10 Size Relief Differential, Poppet, 20 GPM, 3000 PSI (889553)
		P002568	Kit - 565803 Replacement Seal
3	1	P000358	Valve - Hyd. - #8 Size Check, 8 GPM, 25PSI (02-171258)
		P002569	Kit - 02-165875 Replacement Seal
4	1	P000359	Valve - Hyd. - #10 Size EP Logic Element, 20 GPM, 80 PSI (EPFR50-S35-0-N-80)
		P002570	Kit - SK10-3N-MM Replacement Seal
5	1	P000360	Valve - Hyd. - #12 Size Proportional Control, 2-Way, NC, Poppet (PWM) (SP12-20-0-N-00)
		P002571	Kit - SK12-2N-T Replacement Seal
6	1	P000361	E-Coil - #10, 12 VDC, Deutsch DT04-2P (4303712)
7	1	P000362	Gauge - Hyd. - 3000 PSI #4 O-Ring (7/16"-20)
		P002581	O-Ring - #4 Buna (4000-04)
8	1	P000363	Harness - 2 Pin Deutsch w/ 9" Leads (DT06-2S)
9	1	P000787	Plug - Hyd. - #04 O-Ring 6408-HHP-04
		P002581	O-Ring - #4 Buna (4000-04)
10	1	P000947	Valve - Hyd. - 10 Size Relief Differential Poppet 20 GPM, 750 PSI RV3-10-1-0-9/7.5
		P002568	Kit - 565803 Replacement Seal
11	2	P002411	Gauge - Hyd. - 1500 PSI #4 O-Ring (7/16"-20)
		P002581	O-Ring - #4 Buna (4000-04)
12	1	P002517	Nut - Coil 7004400

## Manifold - Gen 2 Hydraulic Control (P003048) (Hydraulic Slide Gate Shown (Earlier Models Only))

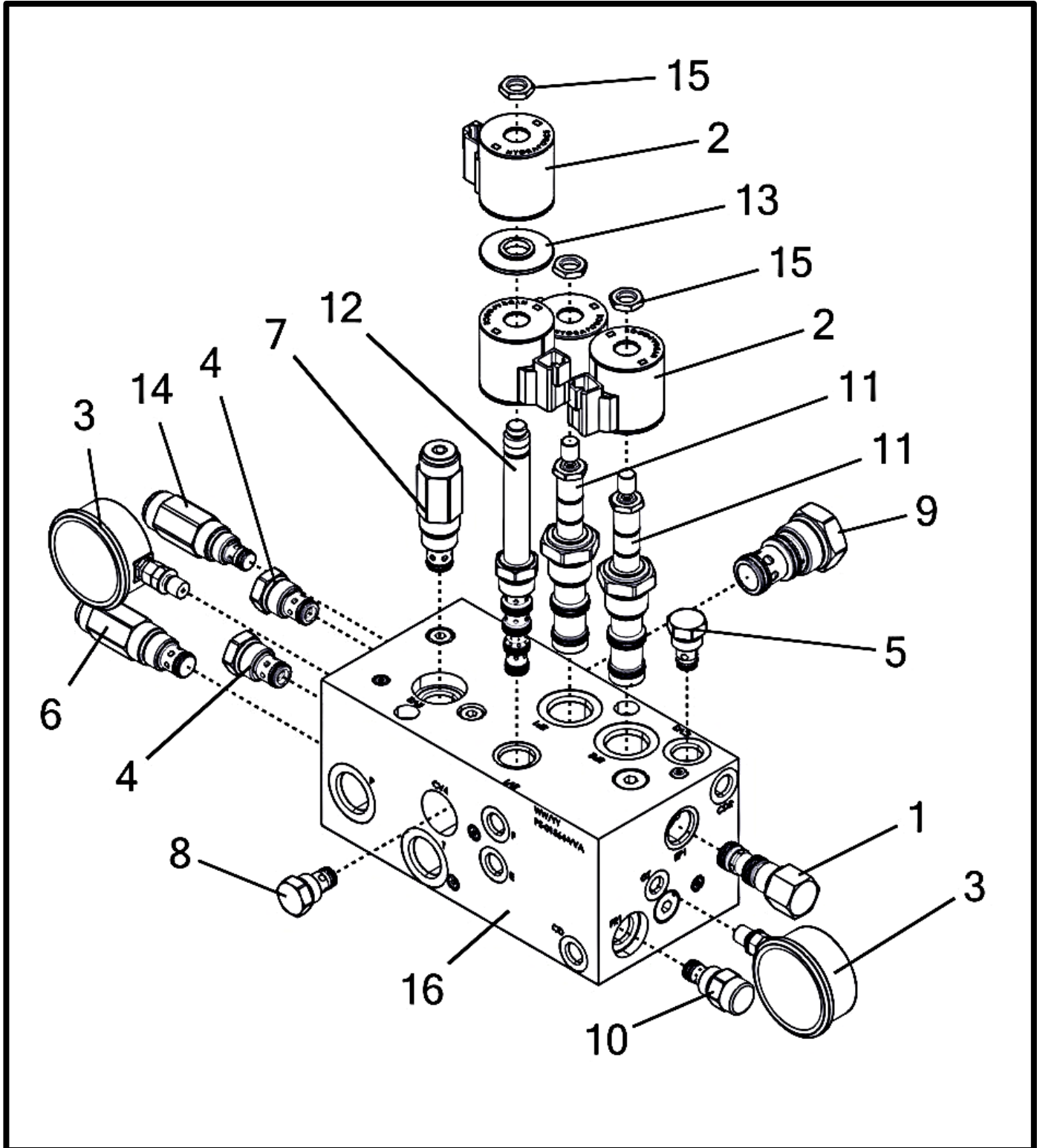


## Manifold - Gen 2 Hydraulic Control (P003048) (Hydraulic Slide Gate Shown (Earlier Models Only))

Item No.	Qty	Part Number	Description
1	1	P000359	Valve - Hyd. - #10 Size EP Logic Element, 20 GPM, 80 PSI (EPFR50-S35-0-N-80)
		P002570	Kit - SK10-3N-MM Replacement Seal
2	4 *	P000361	E-Coil - #10, 12 VDC, Deutsch DT04-2P (4303712)
3	2	P000362	Gauge - Hyd. - 3000 PSI #4 O-Ring (7/16"-20) (For Manifold P-0352)
		P002581	O-Ring - #4 Buna (4000-04)
4	2	P000904	Valve - Hyd. - 10 Size Check, 2 Way, 20 GPM, 5PSI CV10-20-0-N-05
		P002572	Kit - SK10-2N-T Replacement Seal
5	1	P000905	Valve - Hyd. - 8 Size Check, 2 Way, 8 GPM, 25PSI CV08-20-0-N-25
		P002573	Kit - SK08-2N-T Replacement Seal
6	1	P000908	Valve - Hyd. - 10 Size Relief Differential Poppet 30 GPM, 3000PSI RV10-22H-0-N-35/30
		P002572	Kit - SK10-2N-T Replacement Seal
7	1	P000909	Valve - Hyd. - 10 Size Relief Differential Poppet 10 GPM, 3000PSI RV10-22H-0N-13/10
		P002572	Kit - SK10-2N-T Replacement Seal
8	1	P002506	Valve - Hyd. - 8 Size Check, 2 Way, 20 GPM, 4 PSI CV08-20-0-N-4
		P002573	Kit - SK08-2N-T Replacement Seal
9	1	P002507	Valve - Hyd. - Piloted Spool Type Logic Element 40 PSI EP16-S35-N-40
		P002574	Kit - SK16-3N-MM Replacement Seal
10	1	P002508	Valve - Hyd. - Flow Regulator, Pressure Compensated 20 GPM FR08-20F-0-N-0.20
		P002575	Kit - SK08-2N-8 Replacement Seal
11	2	P003051	Fitting - Hyd. Manifold Cavity Plug (#12 2 Way Blocked) (CP12-20-N)
		P002571	Kit - SK12-2N-T Replacement Seal
12	1	P002511	Valve - Hyd. - Solenoid-Type, 5-Way, 3 Position SV10-58C-0-N-00
		P002578	Kit - SK10-5N-MMMM Replacement Seal
13	1 *	P002512	Spacer - Hyd. - #10 E-coil 4539700
14	1 *	P002514	Valve - Hyd. - Relief, Differential Area Poppet, 2200 PSI RV08-22H-0-N-26/22.00
		P002573	Kit - SK08-2N-T Replacement Seal
15	3	P002517	Nut - Coil 7004400
16	1 *	P003051	Fitting - Hyd. Manifold Cavity Plug

(\*) These components only for hydraulic Slide Gate option.  
Mechanical Slide Gate plug uses (1) P003030, (2) P000788

## Manifold - Hydraulic Dual Product Control (P003130) (Hydraulic Slide Gate Only)

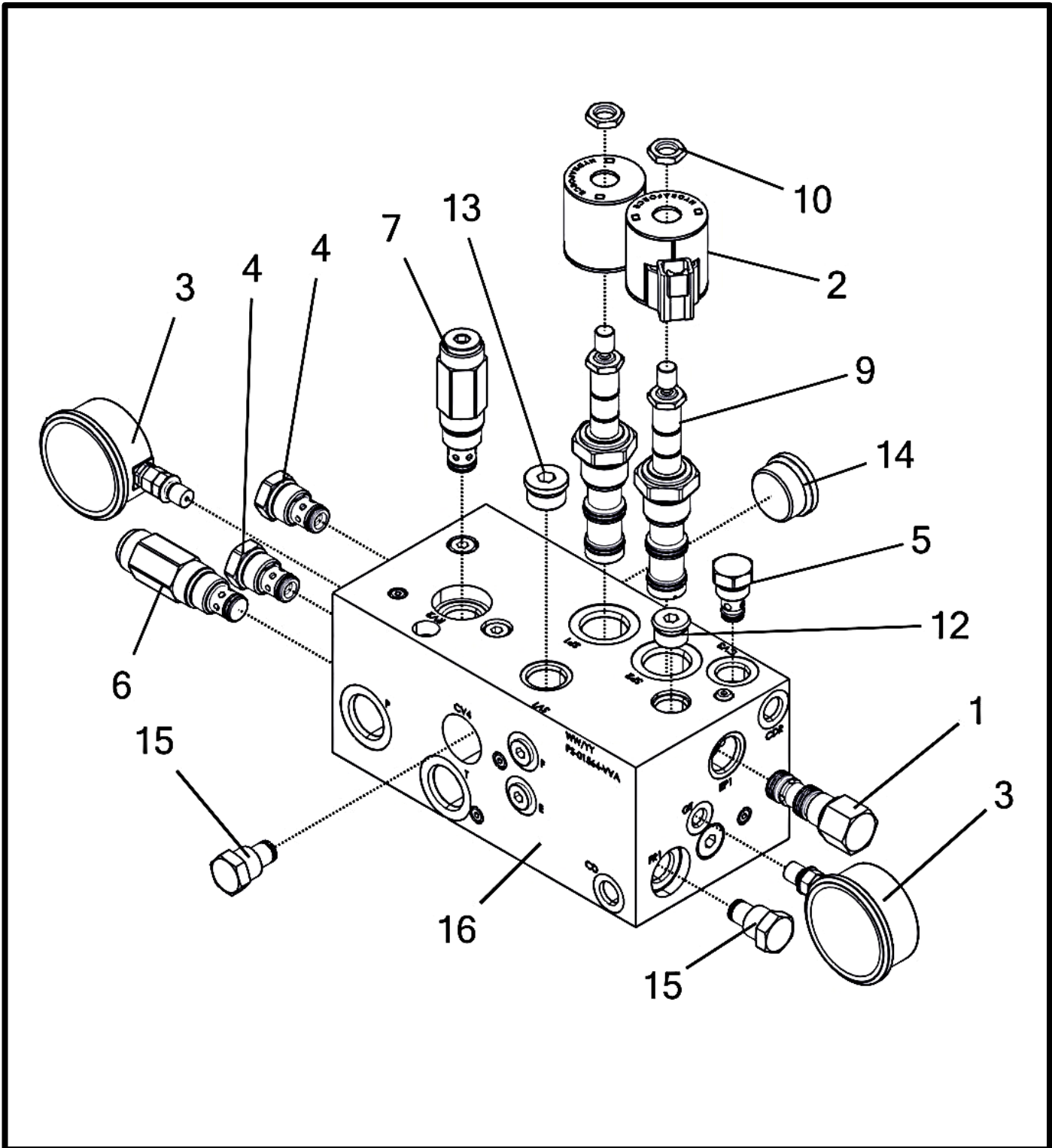




## Manifold - Hydraulic Dual Product Control (P003130) (Hydraulic Slide Gate Only)

Item No.	Qty	Part Number	Description
1	1	P000359	Valve - Hyd. - #10 Size EP Logic Element, 20 GPM, 80 PSI (EPFR50-S35-0-N-80)
		P002570	Kit - SK10-3N-MM Replacement Seal
2	4	P000361	E-Coil - #10, 12 VDC, Deutsch DT04-2P (4303712)
3	2	P000362	Gauge - Hyd. - 3000 PSI #4 O-Ring (7/16"-20) (For Manifold P-0352)
		P002581	O-Ring - #4 Buna (4000-04)
4	2	P000904	Valve - Hyd. - 10 Size Check, 2 Way, 20 GPM, 5PSI CV10-20-0-N-05
		P002572	Kit - SK10-2N-T Replacement Seal
5	1	P000905	Valve - Hyd. - 8 Size Check, 2 Way, 8 GPM, 25PSI CV08-20-0-N-25
		P002573	Kit - SK08-2N-T Replacement Seal
6	1	P000908	Valve - Hyd. - 10 Size Relief Differential Poppet 30 GPM, 3000PSI RV10-22H-0-N-35/30
		P002572	Kit - SK10-2N-T Replacement Seal
7	1	P000909	Valve - Hyd. - 10 Size Relief Differential Poppet 10 GPM, 3000PSI RV10-22H-0N-13/10
		P002572	Kit - SK10-2N-T Replacement Seal
8	1	P002506	Valve - Hyd. - 8 Size Check, 2 Way, 20 GPM, 4 PSI CV08-20-0-N-4
		P002573	Kit - SK08-2N-T Replacement Seal
9	1	P002507	Valve - Hyd. - Piloted Spool Type Logic Element 40 PSI EP16-S35-N-40
		P002574	Kit - SK16-3N-MM Replacement Seal
10	1	P002508	Valve - Hyd. - Flow Regulator, Pressure Compensated 20 GPM FR08-20F-0-N-0.20
		P002575	Kit - SK08-2N-8 Replacement Seal
11	2	P002510	Valve - Hyd. - #12 Size Proportional Control, 2-Way, NC, HyPerf w/ Manual Override (PWM) (HSPEC12-32AM-0-X-XX)
		P002577	Kit - HSK12-3-U Replacement Seal
12	1	P002511	Valve - Hyd. - Solenoid-Type, 5-Way, 3 Position SV10-58C-0-N-00
		P002578	Kit - SK10-5N-MMMM Replacement Seal
13	1	P002512	Spacer - Hyd. - #10 E-coil 4539700
14	1	P002514	Valve - Hyd. - Relief, Differential Area Poppet, 2200 PSI RV08-22H-0-N-26/22.00
		P002573	Kit - SK08-2N-T Replacement Seal
15	3	P002517	Nut - Coil 7004400
16	1	P003137	Block - Hydraulic Control (PS-01564-VBL-01)

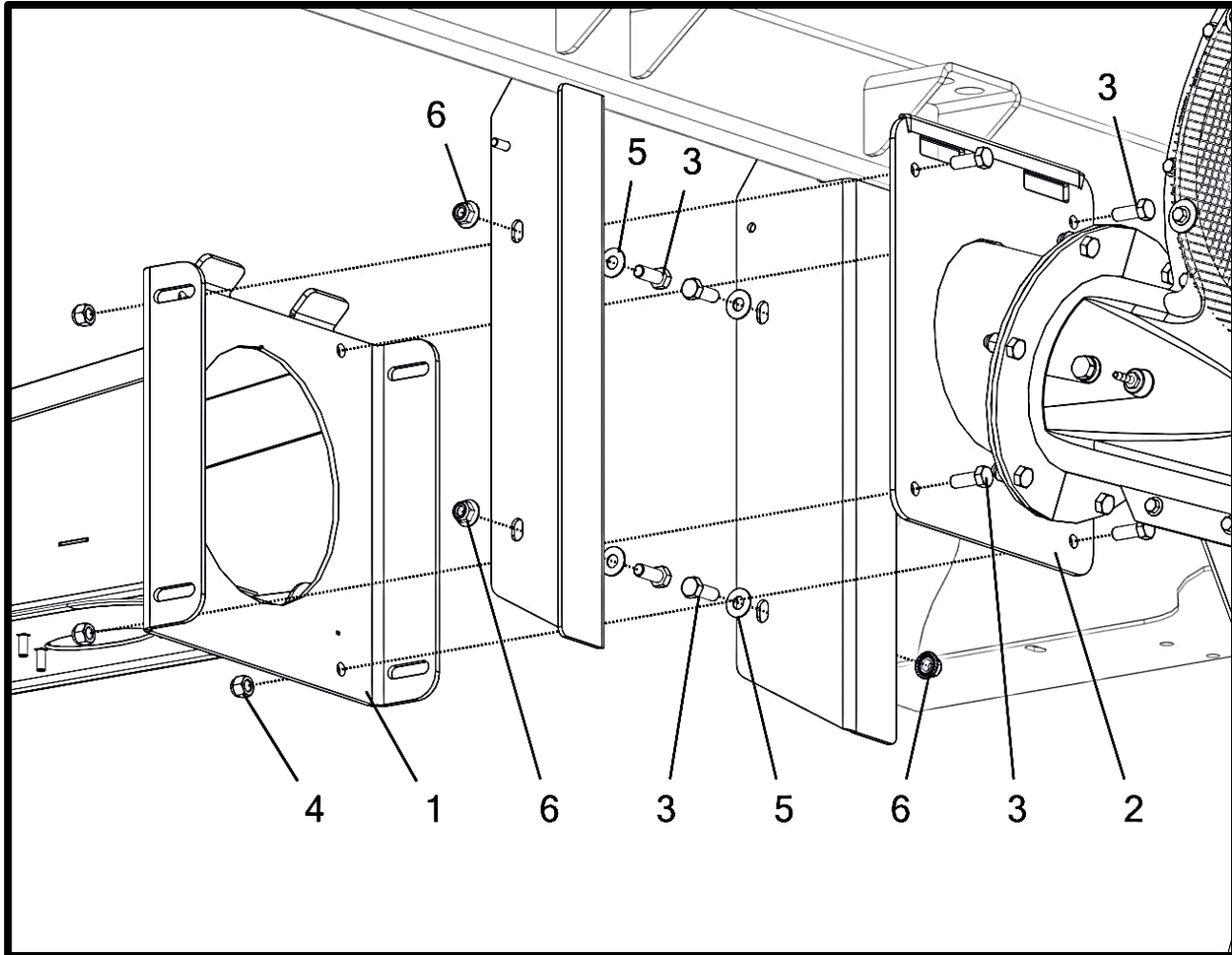
## Manifold - Hydraulic Dual Product Control (P003131) (No Hydraulic Slide Gate)



## Manifold - Hydraulic Dual Product Control (P003131) (No Hydraulic Slide Gate)

Item No.	Qty	Part Number	Description
1	1	P000359	Valve - Hyd. - #10 Size EP Logic Element, 20 GPM, 80 PSI (EPFR50-S35-0-N-80)
		P002570	Kit - SK10-3N-MM Replacement Seal
2	2	P000361	E-Coil - #10, 12 VDC, Deutsch DT04-2P (4303712)
3	2	P000362	Gauge - Hyd. - 3000 PSI #4 O-Ring (7/16"-20) (For Manifold P-0352)
		P002581	O-Ring - #4 Buna (4000-04)
4	2	P000904	Valve - Hyd. - 10 Size Check, 2 Way, 20 GPM, 5PSI CV10-20-0-N-05
		P002572	Kit - SK10-2N-T Replacement Seal
5	1	P000905	Valve - Hyd. - 8 Size Check, 2 Way, 8 GPM, 25PSI CV08-20-0-N-25
		P002573	Kit - SK08-2N-T Replacement Seal
6	1	P000908	Valve - Hyd. - 10 Size Relief Differential Poppet 30 GPM, 3000PSI RV10-22H-0-N-35/30
		P002572	Kit - SK10-2N-T Replacement Seal
7	1	P000909	Valve - Hyd. - 10 Size Relief Differential Poppet 10 GPM, 3000PSI RV10-22H-0N-13/10
		P002572	Kit - SK10-2N-T Replacement Seal
8	9	P002504	Plug - Hyd. - #2 O-Ring NWD
		P002586	O-Ring - #2 Buna (4000-02)
9	2	P002510	Valve - Hyd. - #12 Size Proportional Control, 2-Way, NC, HyPerf w/ Manual Override (PWM) (HSPEC12-32AM-0-X-XX)
		P002577	Kit - HSK12-3-U Replacement Seal
10	2	P002517	Nut - Coil 7004400
11	3	P002564	Plug - Hyd. - #6 O-Ring NWD
		P002582	O-Ring - #6 Buna (4000-06)
12	2	P002565	Plug - Hyd. - #8 O-Ring NWD
		P002583	O-Ring - #8 Buna (4000-08)
13	1	P003030	Plug - Hyd. - #10 O-Ring 6408-HHP-10
		P002584	O-Ring - #10 Buna (4000-10)
14	1	P003032	Plug - Hyd. - #16 O-Ring 6408-HHP-16
		P003039	O-Ring - #16 Buna (4000-16)
15	2	P003033	Fitting - Hyd. Manifold Cavity Plug
16	1	P003137	Block - Hydraulic Control (PS-01564-VBL-01)

### Fan And Plenum Area



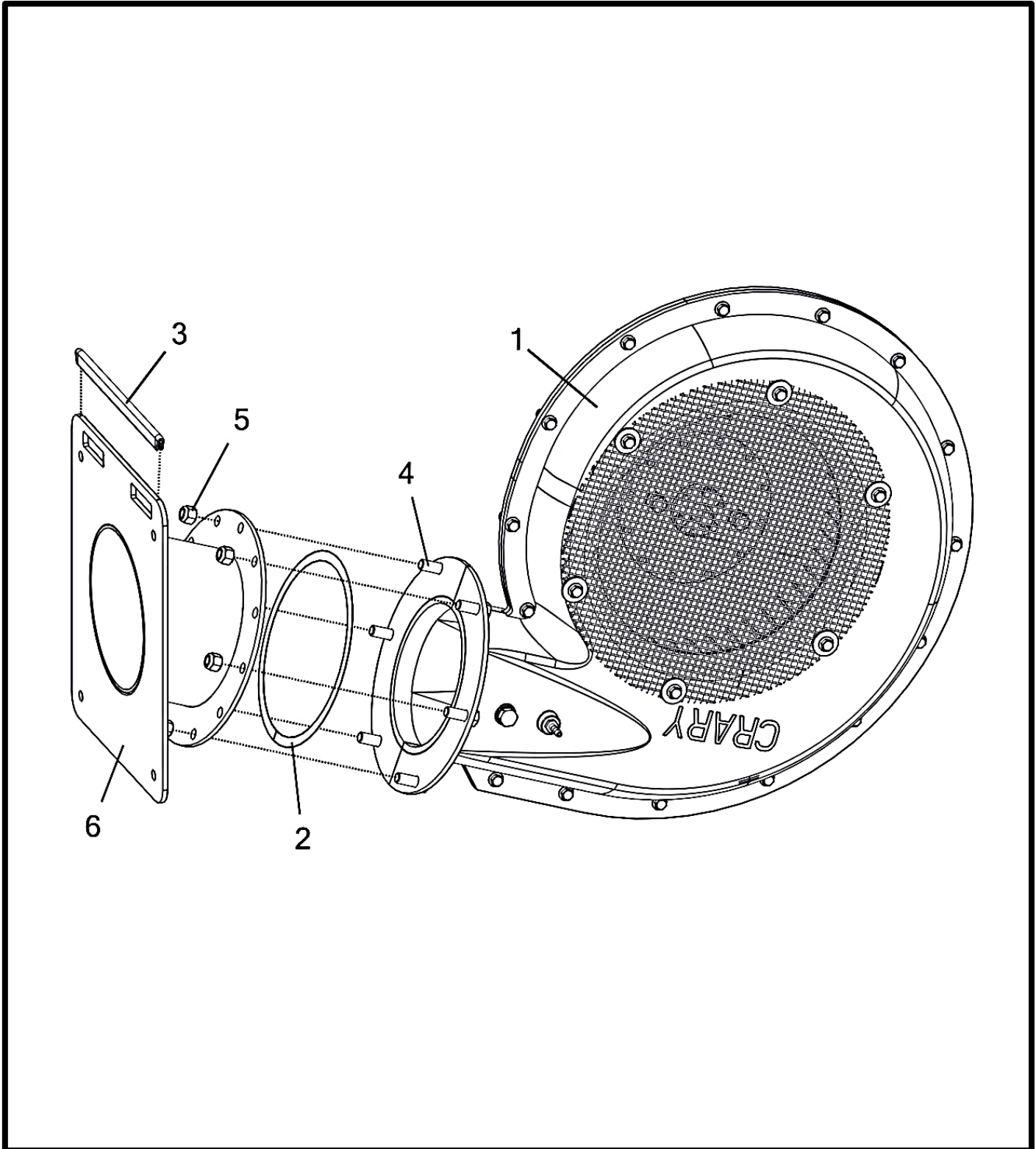
## Fan And Plenum Area

Item No.	Qty	Part Number	Description
1	1	A002255__	Plenum - Sub-Assembly Phantom Gen 2 8 Row (No Tray) (2018+)
2	1	A002265__	Fan / Transition - Assembly 6" x 10°
3	8	P000097	Bolt - 3/8-16 x 1 x 1 Hex (F593 304 S/S FB) * †
4	4	P000105	Nut - 3/8-16 Hex Nylon Lock (F594 316 S/S FB) †
5	4	P000111	Washer - 3/8" Flat (0.875" OD) (18-8 S/S FB) *
6	4	P002225	Nut - 3/8-16 Flange Nylon Lock (18-8 S/S FB) *

(\*) Included in K002221 - Kit - Plenum Mount Hardware Gen 2

(†) Included in K002057 - Kit - Fan Mount Hardware Gen 2

## Fan / Transition Assembly

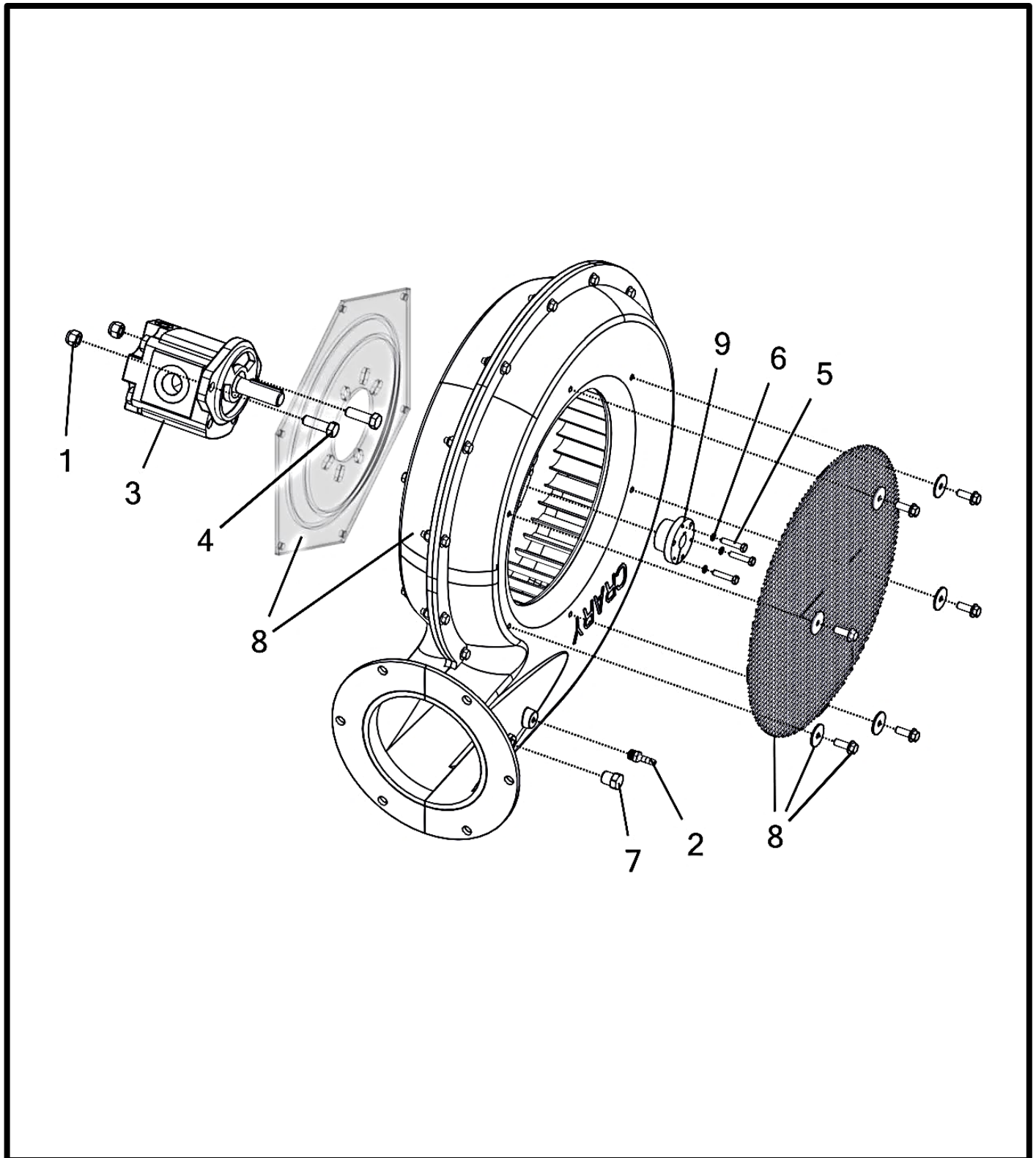


## Fan / Transition Assembly

Item No.	Qty	Part Number	Description
		<b>A002265__</b>	<b>Fan / Transition - Assembly 6" X 10°</b>
1	1	A002266__	Fan - Crary 6" Flange Mount CCW w/Motor (2208)
2	1	M002878	Gasket - 6" Fan Transition Seal ( <b>P000241 - ¼"</b> )
3	1	M003086	Trim - Plenum Transition Plate Edge (9")
4	6	P000039	Bolt - 3/8-16 x 1 x 1 Hex (GR 5 M/S FA) *
5	6	P000057	Nut - 3/8-16 Hex Nylon Lock (GR 5 M/S FA) *
6	1	W002585__	Transition - 6" Diameter Fan/Plenum (20° Down) Gen II

(\*) Included in K002093 - Kit - Fan / Transition

## Fan Assembly w/Motor



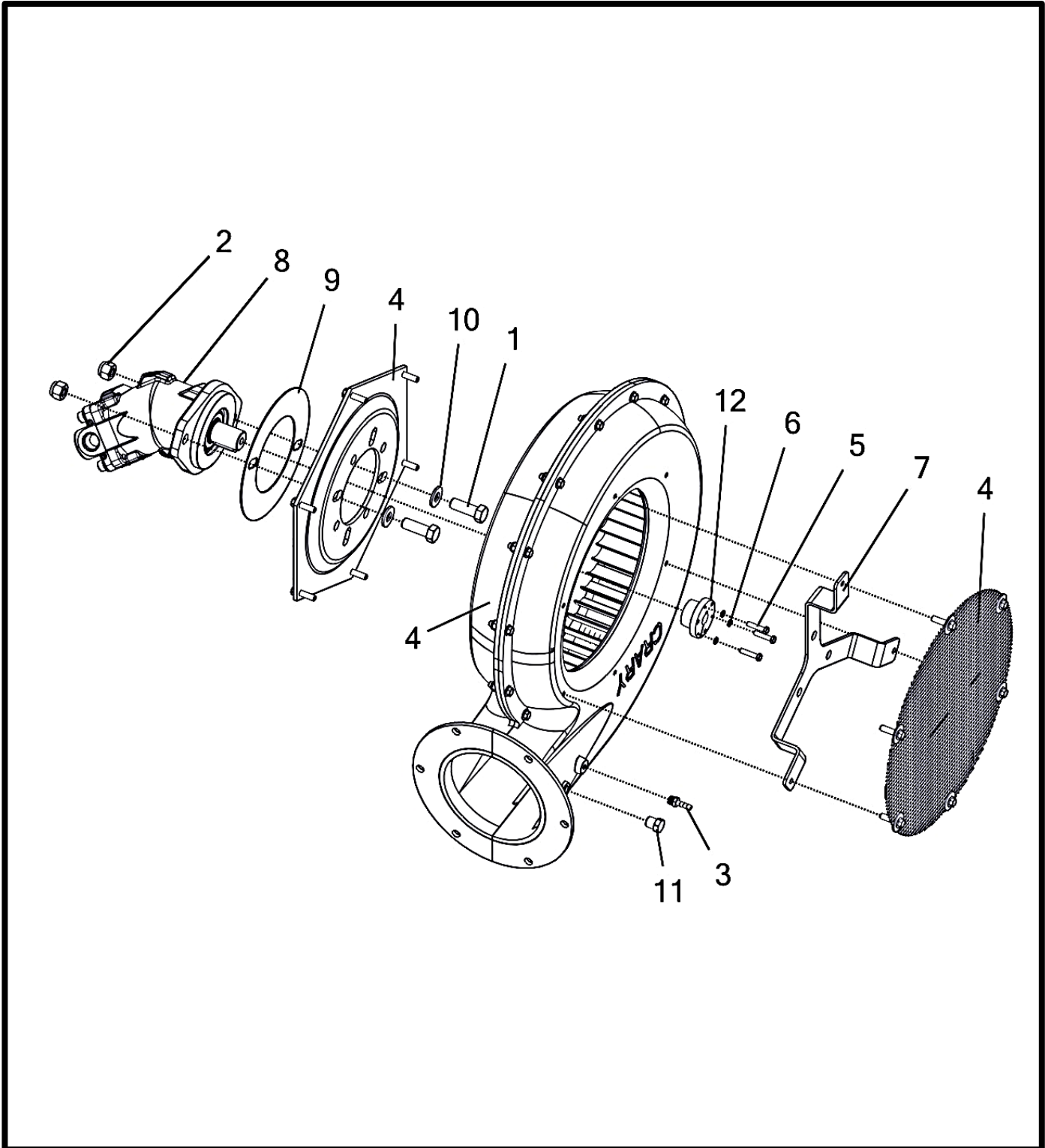


## Fan Assembly w/Motor

Item No.	Qty	Part Number	Description
		<b>A002266__</b>	<b>Fan - Crary 6" Flange Mount CCW w/Motor (2208)</b>
1	2	P000105	Nut - 3/8-16 Hex Nylon Lock (F594 316 S/S FB)
2	1	P000125	Fitting - Air - 3/16" Hose Barb x 1/8 NPT
3	1	P000306	Motor - Parker 8 &12 Row Fan (313) 334-9219-313
4	2	P000416	Bolt - 3/8-16 x 1.25 x 1 Hex (F593 304 S/S FB)
5	3	P002699	Screw - #10-24 x 1 Machine Hex Head (GR 5 M/S FG) *
6	3	P002700	Washer - #10 Split Lock (0.334" OD) (GR 5 M/S FG) *
7	1	P002898	Fitting - 1/4-18 NPT Nylon Plastic Plug
8	1	P002906__	Fan - Crary 6" Flange Mount CCW (SAE A) (52075)
9	1	P002909	Bushing - QD Taper Lock JA x .625" Bore x .1875" Keyway (Purchased)

(\*) Included in K002140 - Kit - Fan Hub Hardware (QD Bushing) (JA)

## Fan Assembly w/High Speed Motor

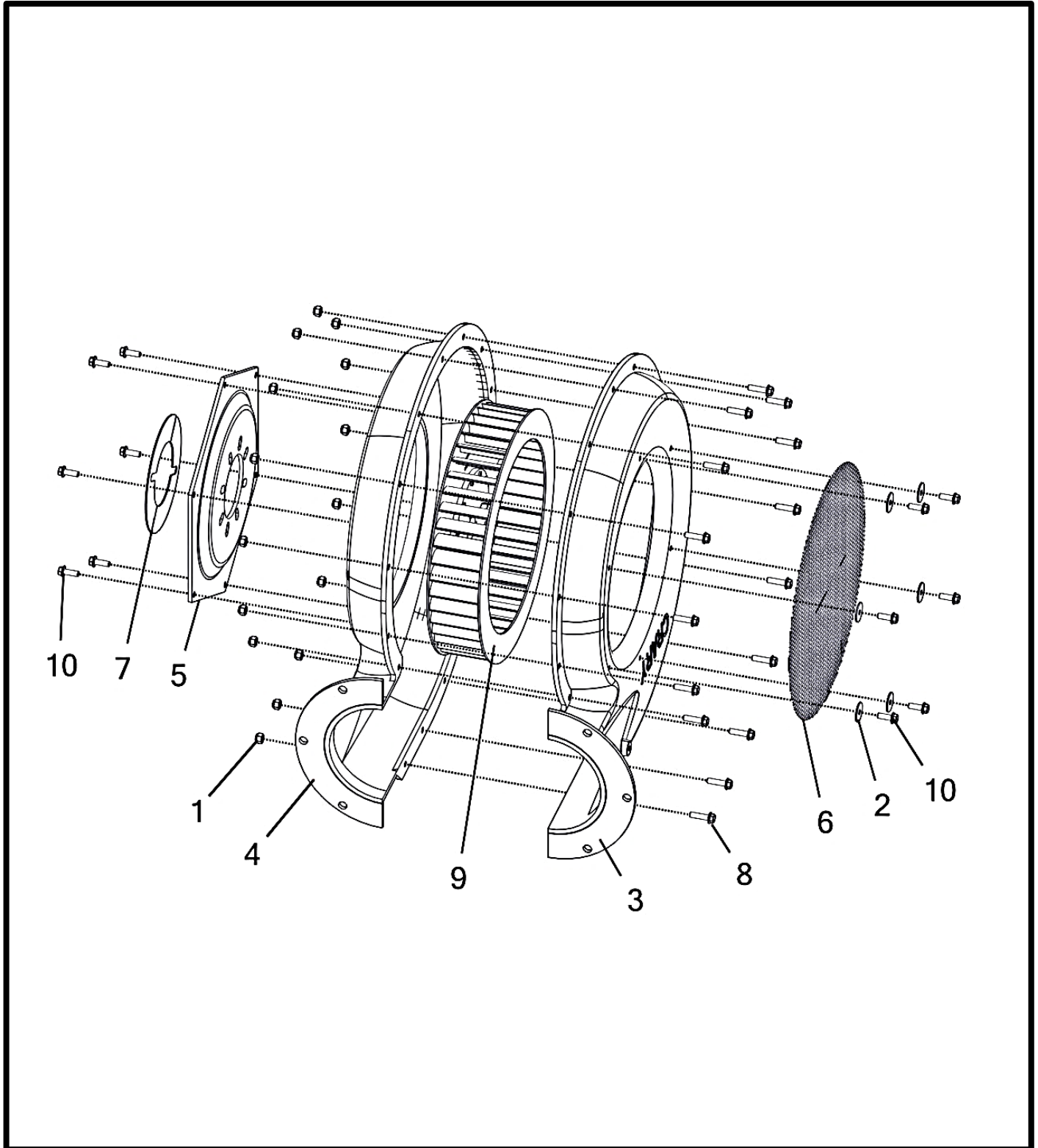


## Fan Assembly w/High Speed Motor

Item No.	Qty	Part Number	Description
		<b>A002598_ _</b>	<b>Fan - Crary 6" Flange Mount CCW w/ High Speed Motor (2X08)</b>
1	2	P000041	Bolt - 1/2-13 x 1.5 x 1.25 Hex (GR 5 M/S FA)
2	2	P000058	Nut - 1/2-13 Hex Nylon Lock (GR 5 M/S FA)
3	1	P000125	Fitting - Air - 3/16" Hose Barb x 1/8 NPT
4	1	P002494_ _	Fan - Crary 6" Flange Mount CCW (50145)
5	3	P002699	Screw - #10-24 x 1 Machine Hex Head (GR 5 M/S FG) *
6	3	P002700	Washer - #10 Split Lock (0.334" OD) (GR 5 M/S FG) *
7	1	P002733	Bracket - 6" Crary Fan Speed Sensor Mount
8	1	P002755	Motor - Hyd. Piston Bent Axis 12 C/C, SAE B (51722-00)
9	1	P002758	Plate - Fan Motor Seal (2B) Crary 6" (23907)
10	2	P002889	Washer - 1/2" SAE Flat (1.062" OD) (GR 5 M/S FA)
11	1	P002898	Fitting - 1/4-18 NPT Nylon Plastic Plug
12	1	P002909	Bushing - QD Taper Lock JA x .625" Bore x .1875" Keyway (Purchased)

(\*) Included in K002140 - Kit - Fan Hub Hardware (QD Bushing) (JA)

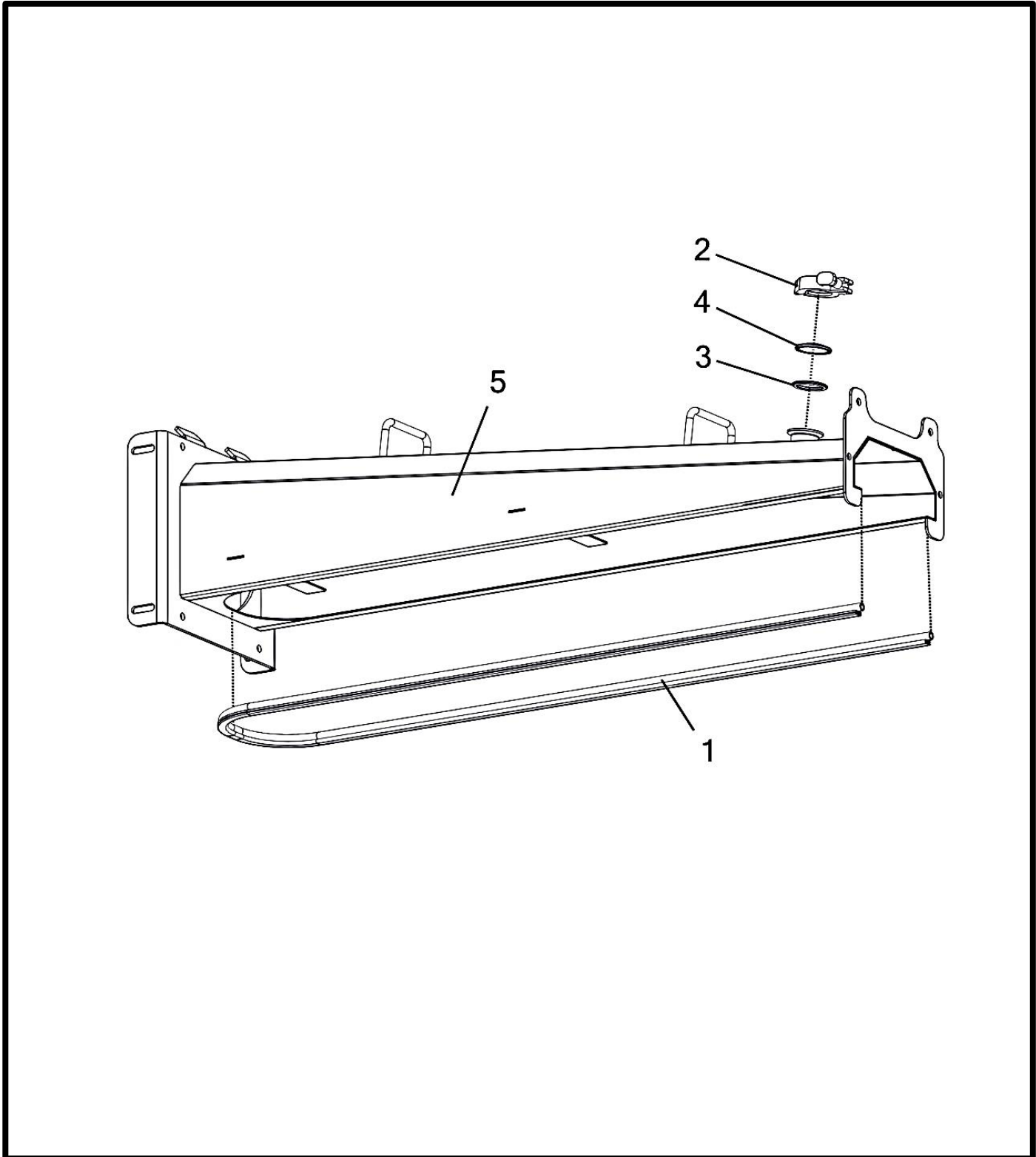
## Fan Housing Assembly



## Fan Housing Assembly

Item No.	Qty	Part Number	Description
		<b>P002906__</b>	<b>Fan - Crary 6" Flange Mount CCW (SAE A) (52075)</b>
1	15	P000056	Nut - 1/4-20 Hex Nylon Lock (GR 5 M/S FA)
2	6	P000108	Washer - 1/4" Fender (1" OD) (18-8 S/S FB)
3	1	P002529	Housing - Crary 6" Flange Mount (LH) (51463-00)
4	1	P002530	Housing - Crary 6" Flange Mount (RH) (54327-00)
5	1	P002531__	Plate - Fan Motor Mount Crary 6" (23318-12)
6	1	P002532	Screen - Crary 6" Fan Inlet (20002)
7	1	P002533__	Plate - Fan Motor Seal (2A) Crary (24973-12)
8	15	P002534	Bolt - 1/4-20 x 1 x 1 Flange (GR 5 M/S FA)
9	1	P002834	Fan - Crary 6" Impeller CCW, JA Hub (22830) (w/Hardware)
10	12	P002955	Bolt - 1/4-20 x 0.75 x 0.75 Flange (GR 5 M/S FA)

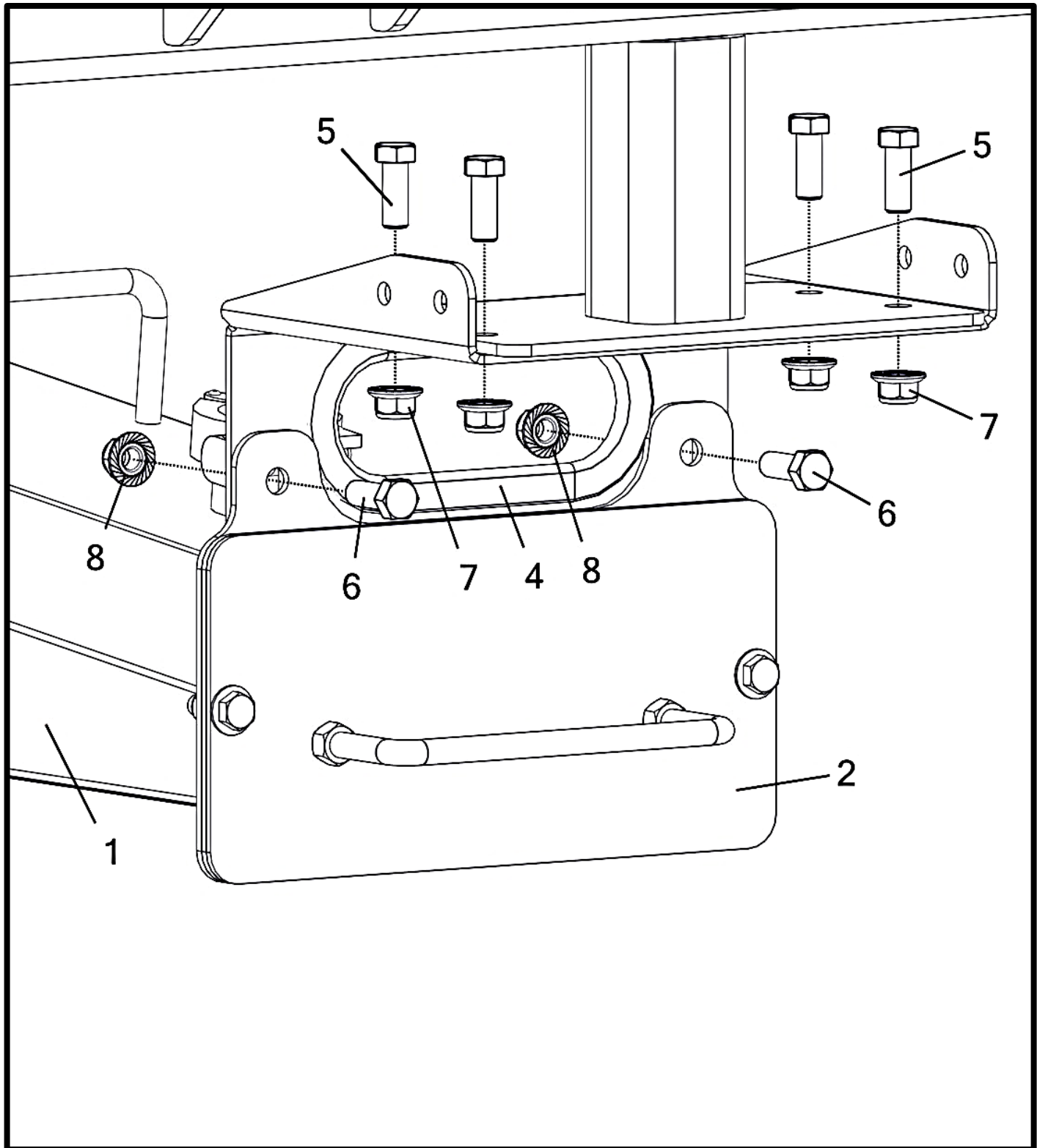
## Plenum



## Plenum

Item No.	Qty	Part Number	Description
		<b>A002254</b>	<b>Plenum - 8 Row Gen 2 Housing Assembly (2018+)</b>
1	1	M003204	Seal - Plenum Edge Grip 8 Row Gen 2
2	1	P002252	Clamp- 1-1/2" Sanitary Fitting
3	1	P002257	Gasket - 1-1/2" Sanitary O-Ring Flange
4	1	P002258	Cap- 1" To 1 1/2" Sanitary Quick Clamp
5	1	W002570	Plenum - 8 Row Weldment (2018+)

### Rear Plenum Area



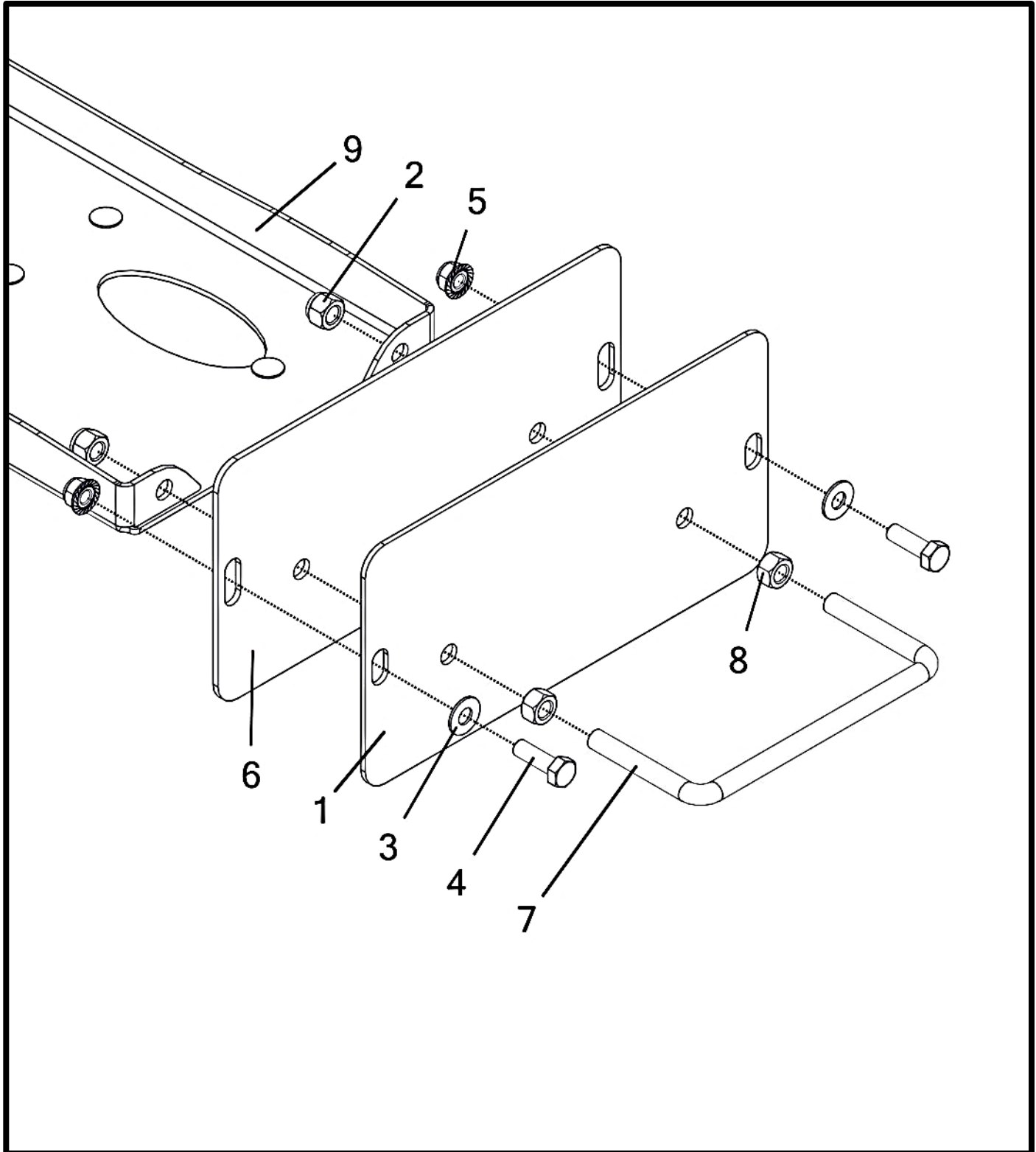


## Rear Plenum Area

Item No.	Qty	Part Number	Description
		<b>A002255_ _</b>	<b>Plenum - Sub-Assembly Phantom Gen 2 8 Row (No Tray) (2018+)</b>
1	1	A002254	Plenum - 8 Row Gen 2 Housing Assembly (2018+)
2	1	A002256	Plenum - Sub-Assembly Tray Gen 2 8 Row (2018+) (Opposite Fan Side)
3	1	M002112_ _	Bracket - Rear Plenum Mount Gen 2
4	1	M003068	Trim - Plenum Rear Mount Bracket
5	4	P000039	Bolt - 3/8-16 x 1 x 1 Hex (GR 5 M/S FA) *
6	2	P000097	Bolt - 3/8-16 x 1 x 1 Hex (F593 304 S/S FB) *
7	4	P002205	Nut - 3/8-16 Flange Nylon Lock (GR 5 M/S FA) *
8	2	P002225	Nut - 3/8-16 Flange Nylon Lock (18-8 S/S FB) *

(\* ) Included in K002221 - Kit - Plenum Mount Hardware Gen 2

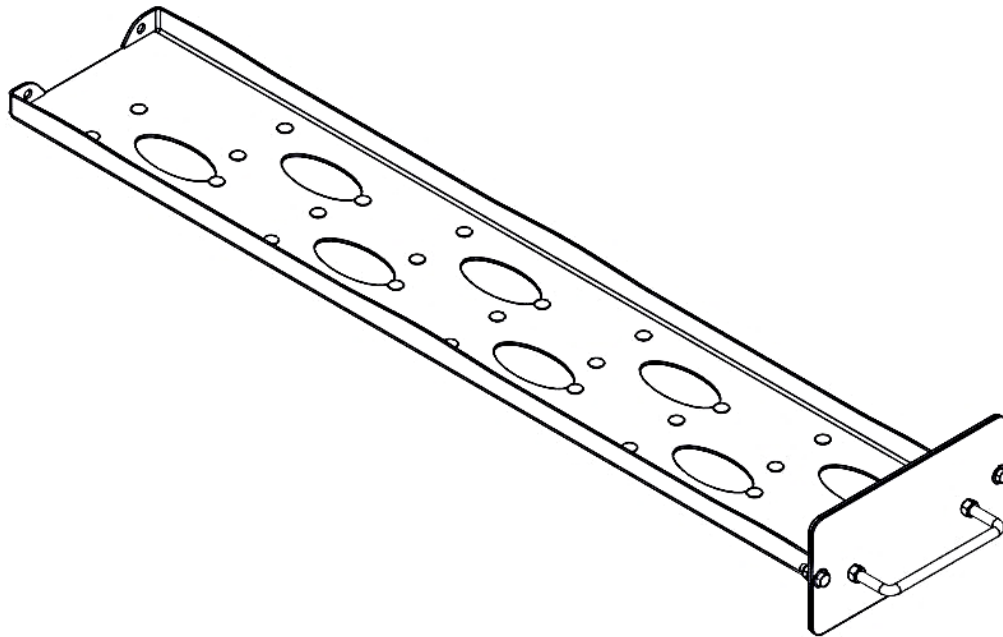
## Plenum Tray



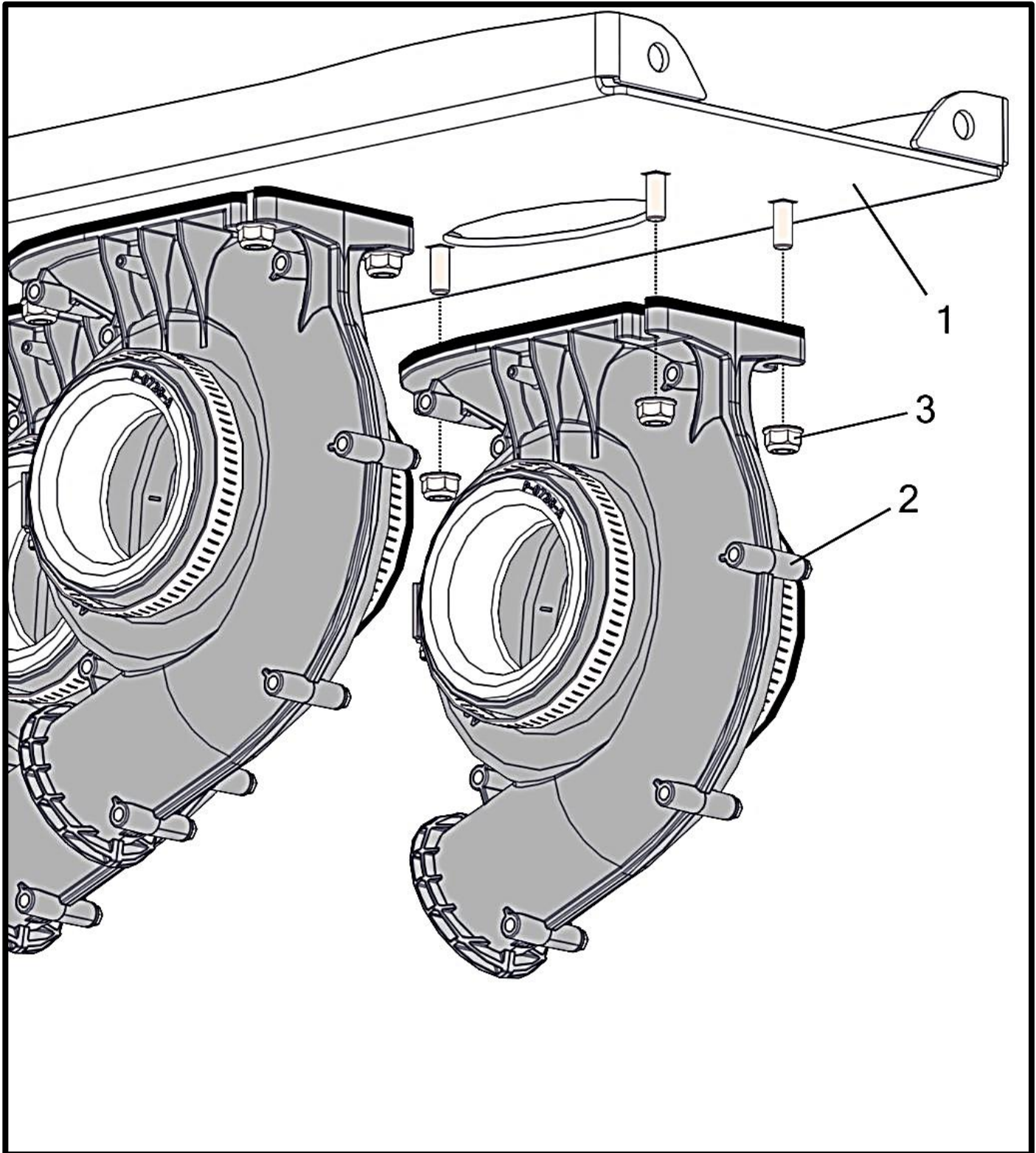
## Plenum Tray

Item No.	Qty	Part Number	Description
		<b>A002256</b>	<b>Plenum - Sub-Assembly Tray Gen 2 8 Row (2018+) (Reversible)</b>
1	1	M003209	Plate - Plenum Slide End (Reversible Tray)
2	2	P000105	Nut - 3/8-16 Hex Nylon Lock (F594 316 S/S FB) *
3	2	P000109	Washer - 5/16" Flat (0.75" OD) (18-8 S/S FB) *
4	2	P000711	Bolt - 5/16-18 x 1 x 0.875 Hex (F593 304 S/S FB) *
5	2	P002224	Nut - 5/16-18 Flange Nylon Lock (18-8 S/S FB) *
6	1	P002842	Gasket - Plenum Tray Seal (Reversible Tray)
7	1	P002851	U-Bolt - 3/8-16 x 3-5/8 x 1-15/16 Square (18-8 S/S FB)
8	2	P002852	Nut - 3/8-16 Hex (18-8 S/S FB) *
9	1	W002574	Tray - Reversible Plenum Gen 2 8 Row

(\*) Included in K002208 - Kit - Gen 2 Reversible Tray Assembly Hardware



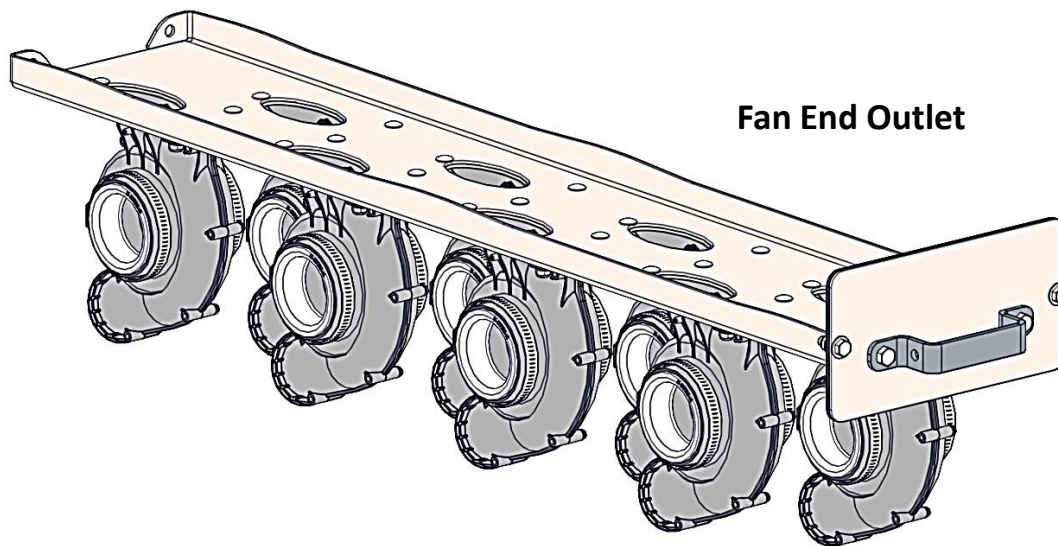
## Plenum Tray Assembly



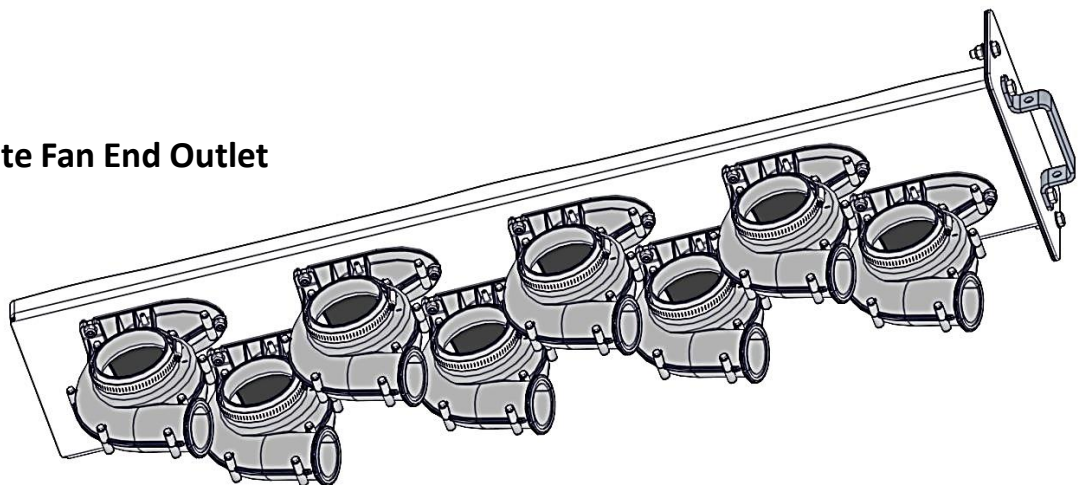
## Plenum Tray Assembly

Item No.	Qty	Part Number	Description
1	1	A002256	Plenum - Sub-Assembly Tray 2208 (2018+) (Reversible)
2	8	A002014	Air Chamber - Gen II Bolt-On
3	24	P002291	Nut - 1/4-20 Flange Nylon Lock (18-8 S/S FB)

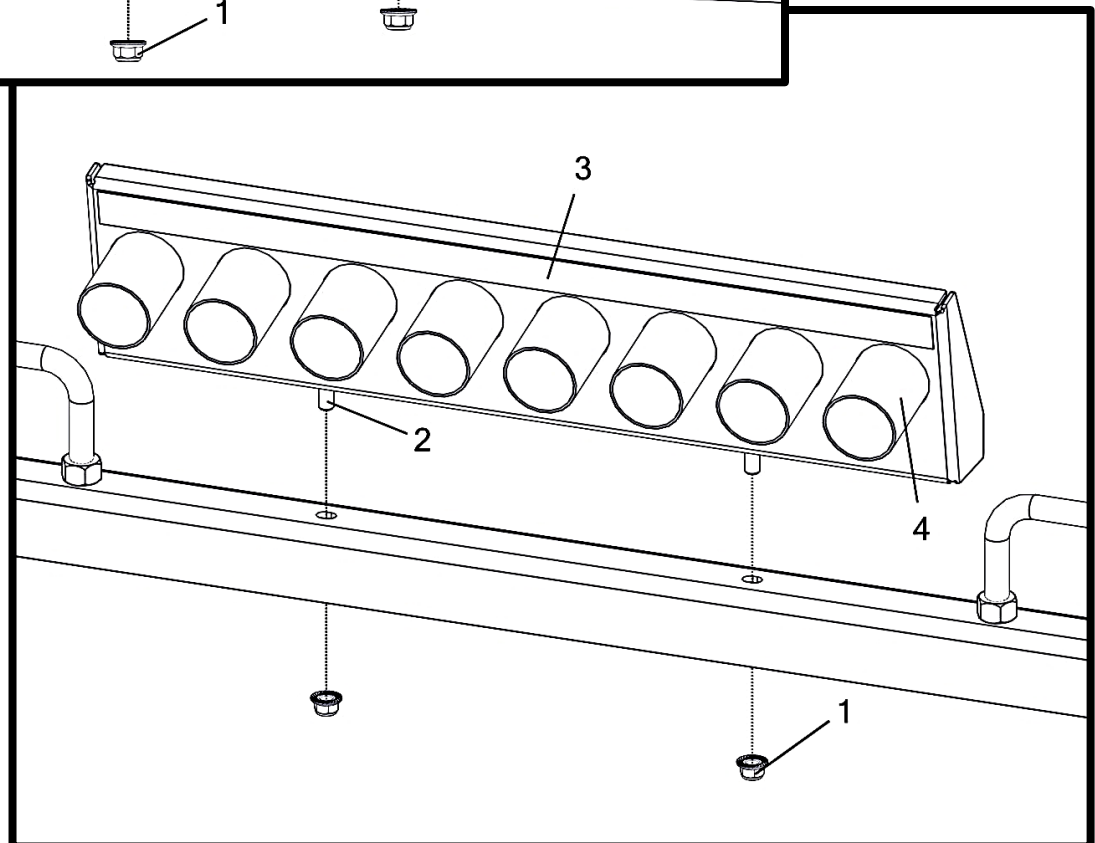
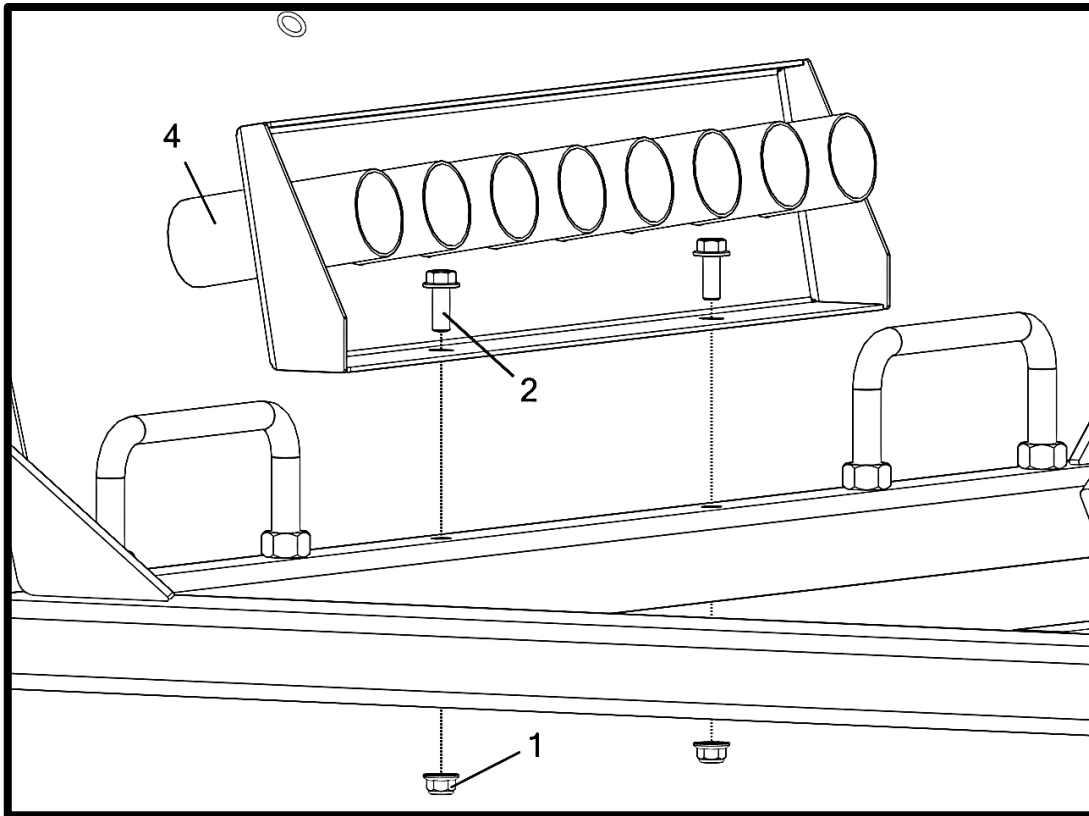
(\* ) Included in K002208 - Kit - Gen 2 Reversible Tray Assembly Hardware



**Opposite Fan End Outlet**



### Air Hose Manifold



## Air Hose Manifold

Item No.	Qty	Part Number	Description
		<b>A002485</b>	<b>Manifold - Air Hose Sub-Assembly Gen 2 8 Row (Non-Fan End)</b>
1	2	P002225	Nut - 3/8-16 Flange Nylon Lock (18-8 S/S FB) *
2	2	P002541	Bolt - 3/8-16 x 1 x 1 Flange (18-8 S/S FB) *
3	1	P003026	Decal - Hose Manifold Label Gen 2 8 Row (Non-Fan End)
		P002899	Decal - Hose Manifold Label Gen 2 8 Row ( <b>Not Shown</b> )
4	1	W002589	Manifold - 8 Hole Hose Single Row

(\* ) Included in K002210 - Kit - Air Hose Manifold Mount Hardware Gen 2 8 Row

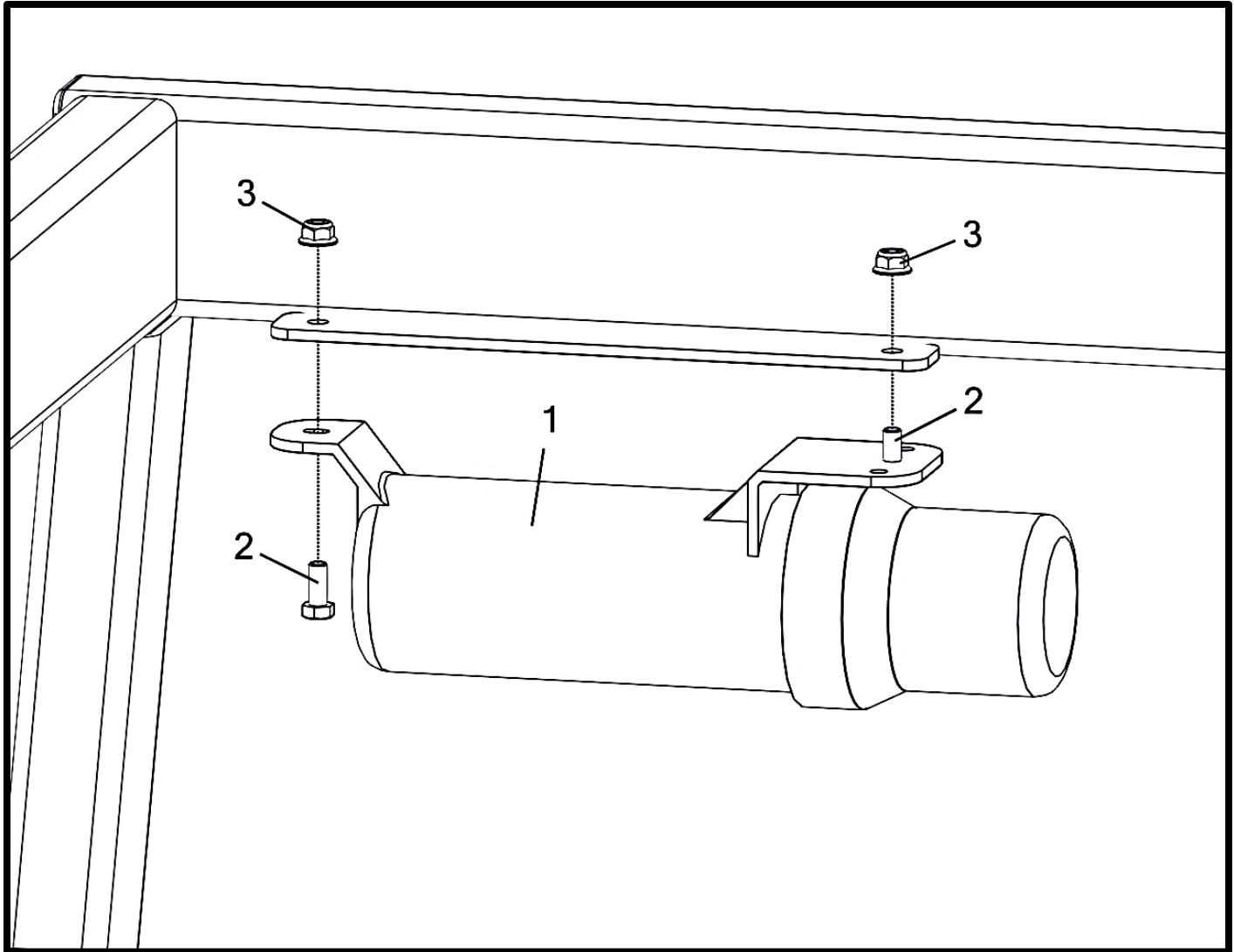


P003026 - Decal - Hose Manifold Label Gen 2 8 Row (Non-Fan End)  
 (Used if the Manifold is on the **opposite** end of the machine as the fan.)



P002899 - Decal - Hose Manifold Label Gen 2 8 Row  
 (Used if the Manifold is on the **same** end of the machine as the fan. This also requires Tank Row Label decals (2) P002170 and (2) P002171 locations to be reversed.)

## Manual Holder



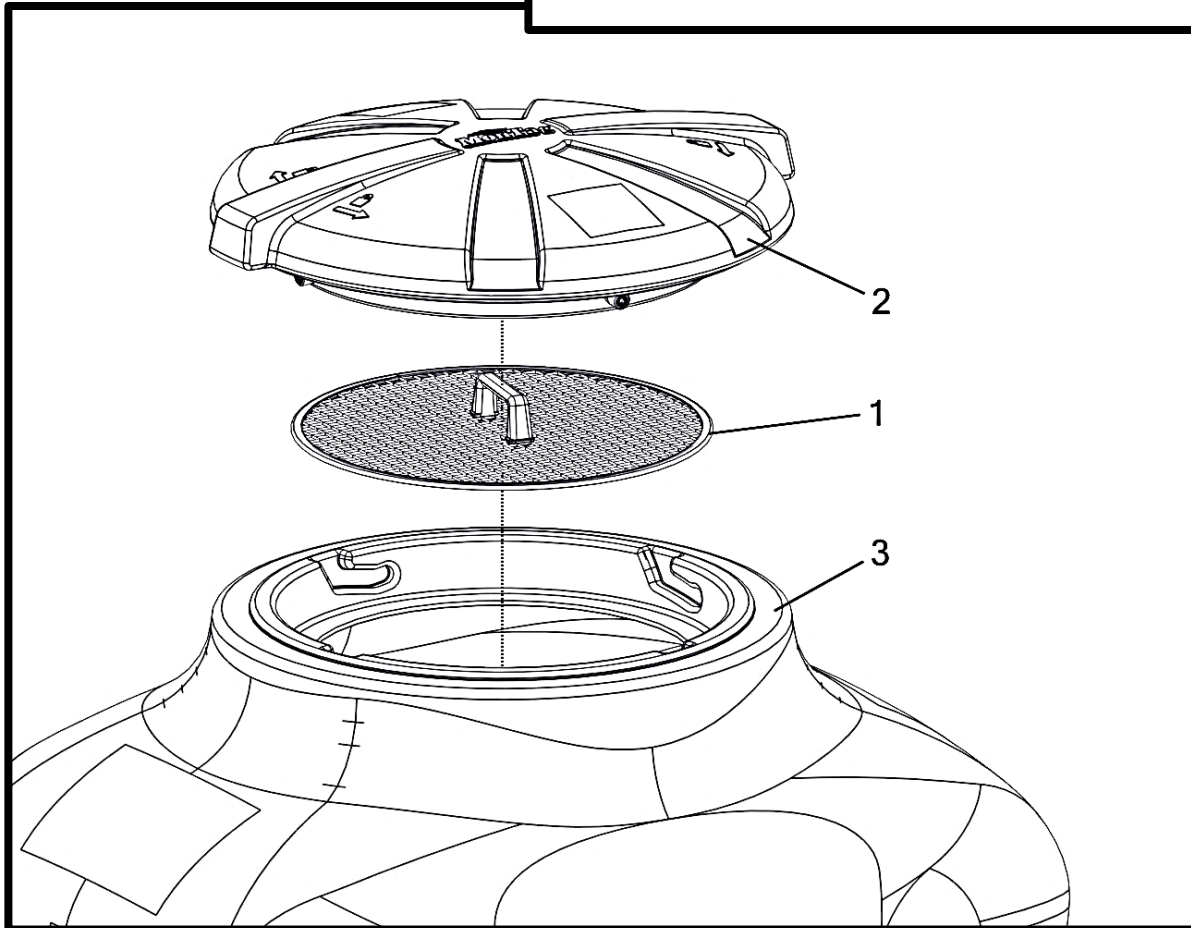
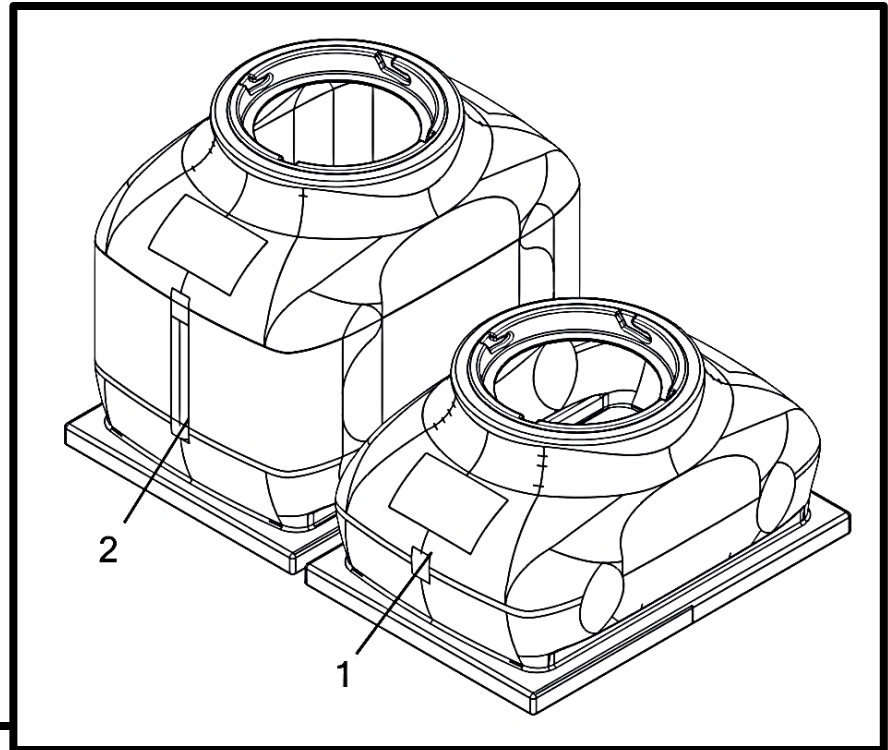


## Manual Holder

Item No.	Qty	Part Number	Description
1	1	P000317	Holder - Instruction Manual
2	2	P000318	Bolt - 5/16-18 x 0.75 x 0.75 Hex (GR 5 M/S FA) *
3	2	P002217	Nut - 5/16-18 Flange Nylon Lock (GR 5 M/S FA) *

(\* ) Included in K002091 - Kit - Instruction Manual Holder Mount Hardware

### Poly Tanks And Lid Area



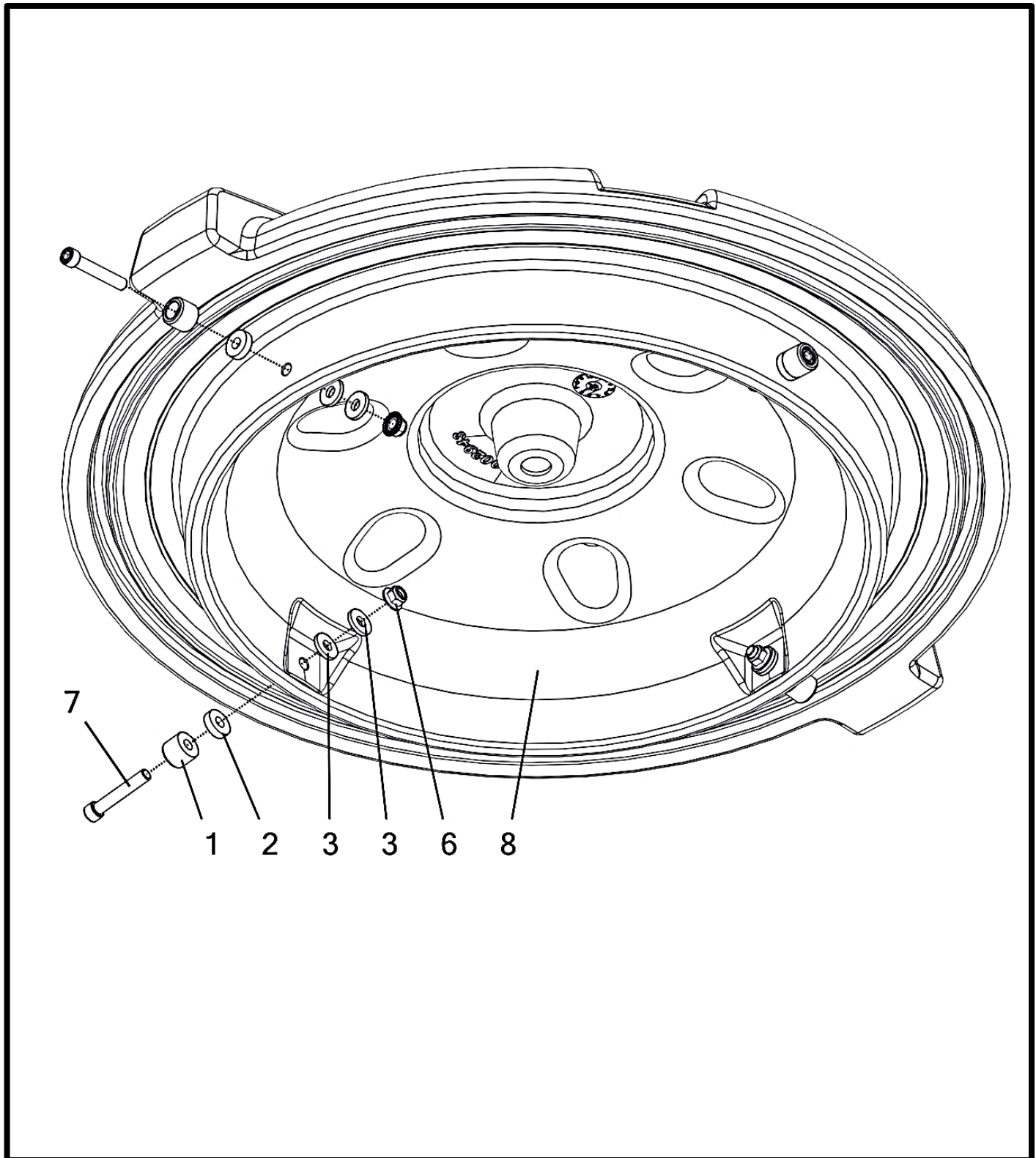
## Poly Tanks

Item No.	Qty	Part Number	Description
1	1	P002902__	Tank - 2208 30 Cu. Ft. Poly
2	1	P002912__	Tank - 2208 50 Cu. Ft. Poly

## Lid Area

Item No.	Qty	Part Number	Description
1	1	A002275	Screen - Gen 2 8 Row (3/4" C/C) (2018+)
2	1	A002276	Lid - Complete 2208 Poly Tank
3	1	P002902__	Tank - 2208 30 Cu. Ft. Poly

### Tank Lid Assembly

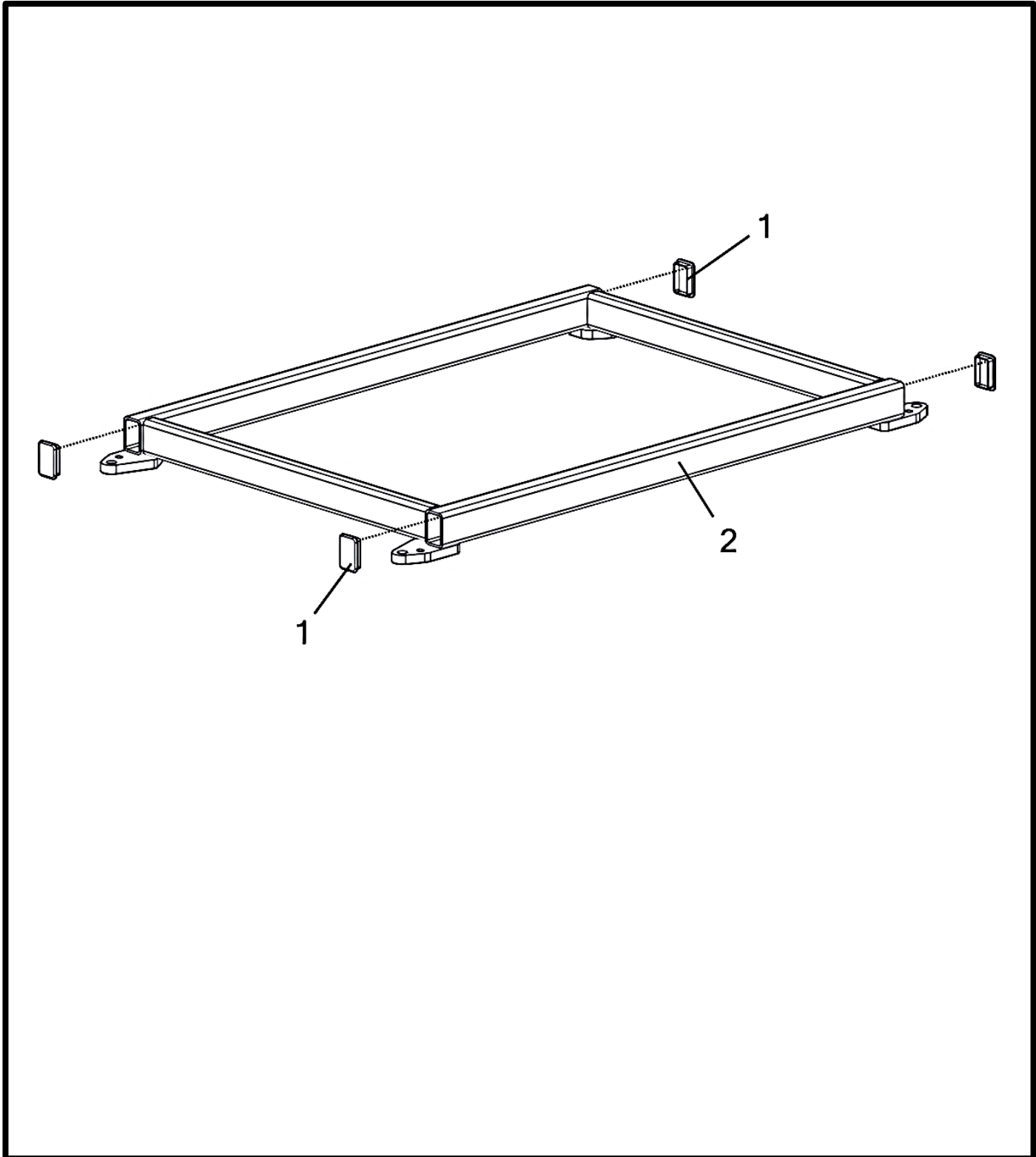


## Tank Lid Assembly

Item No.	Qty	Part Number	Description
		<b>A002276</b>	<b>Lid - Complete 2208 Poly Tank</b>
1	4	M003321	Lug - Gen 2 8 Row Lid
2	4	M003322	Bushing - Lid Lug Gen 2 8 Row (1/4")
3	8	M003323	Bushing - Lid Lug Gen 2 8 Row (1/8")
4	1	M003328	Lanyard - 2208 Lid Tether (Rope) (30")
5	1	M003330	Seal - 2208 Poly Tank Lid
6	4	P002225	Nut - 3/8-16 Flange Nylon Lock (18-8 S/S FB) *
7	4	P002942	Bolt - 3/8-16 x 2.25 x 1 Socket Head (18-8 S/S FB) *
8	1	P002943	Lid - 2208 Poly Tank

(\*) Included in K002259 - Kit - 2208 Poly Lid Lug Hardware

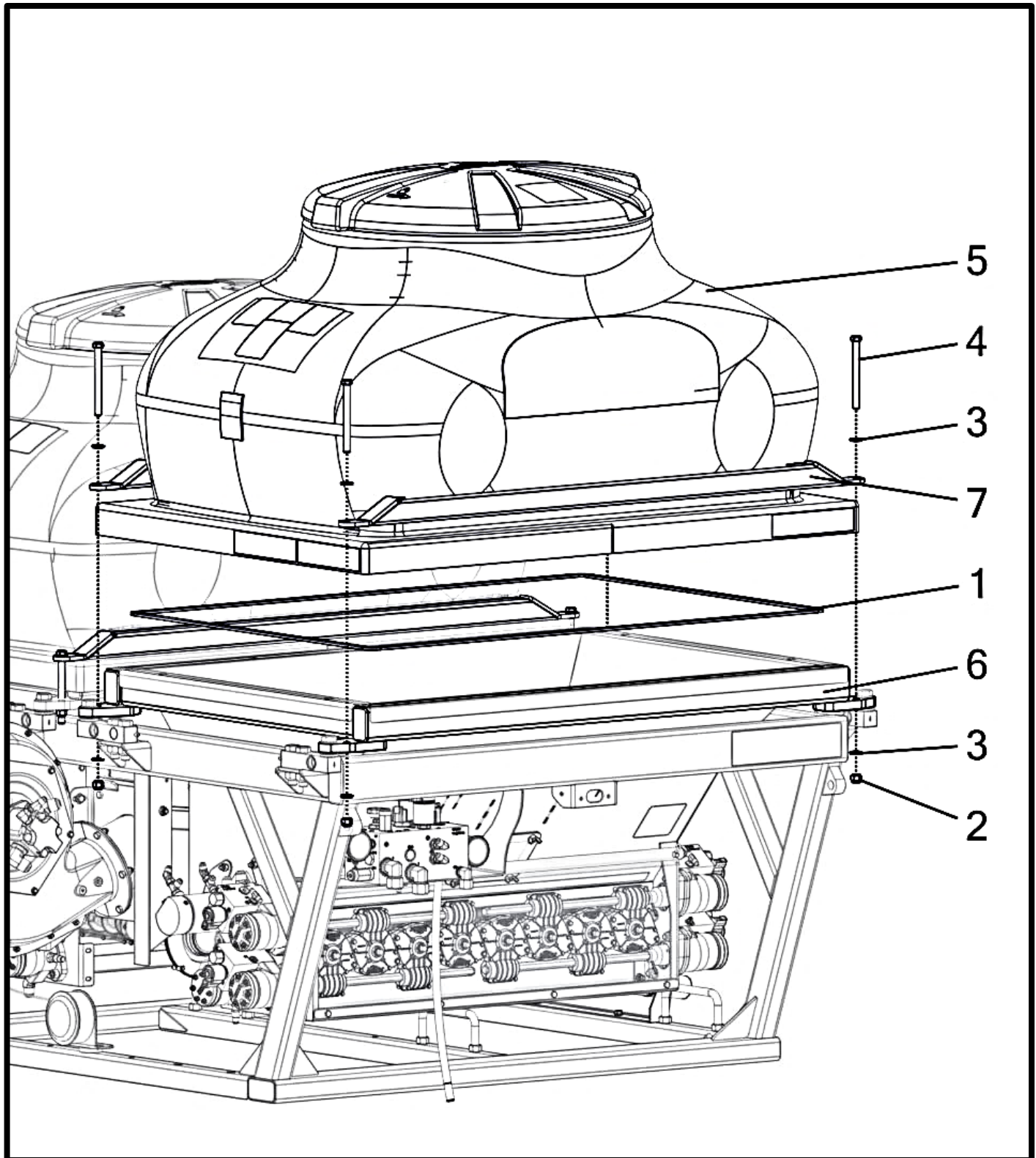
## Tank Rings



## Tank Rings

Item No.	Qty	Part Number	Description
1	4	P002204	Cap - 3" x 2" Plastic (6-8 Ga)
2	1	W002568__	Frame - Poly Tank Mount Gen 2 8 Row

### Tank To Meter



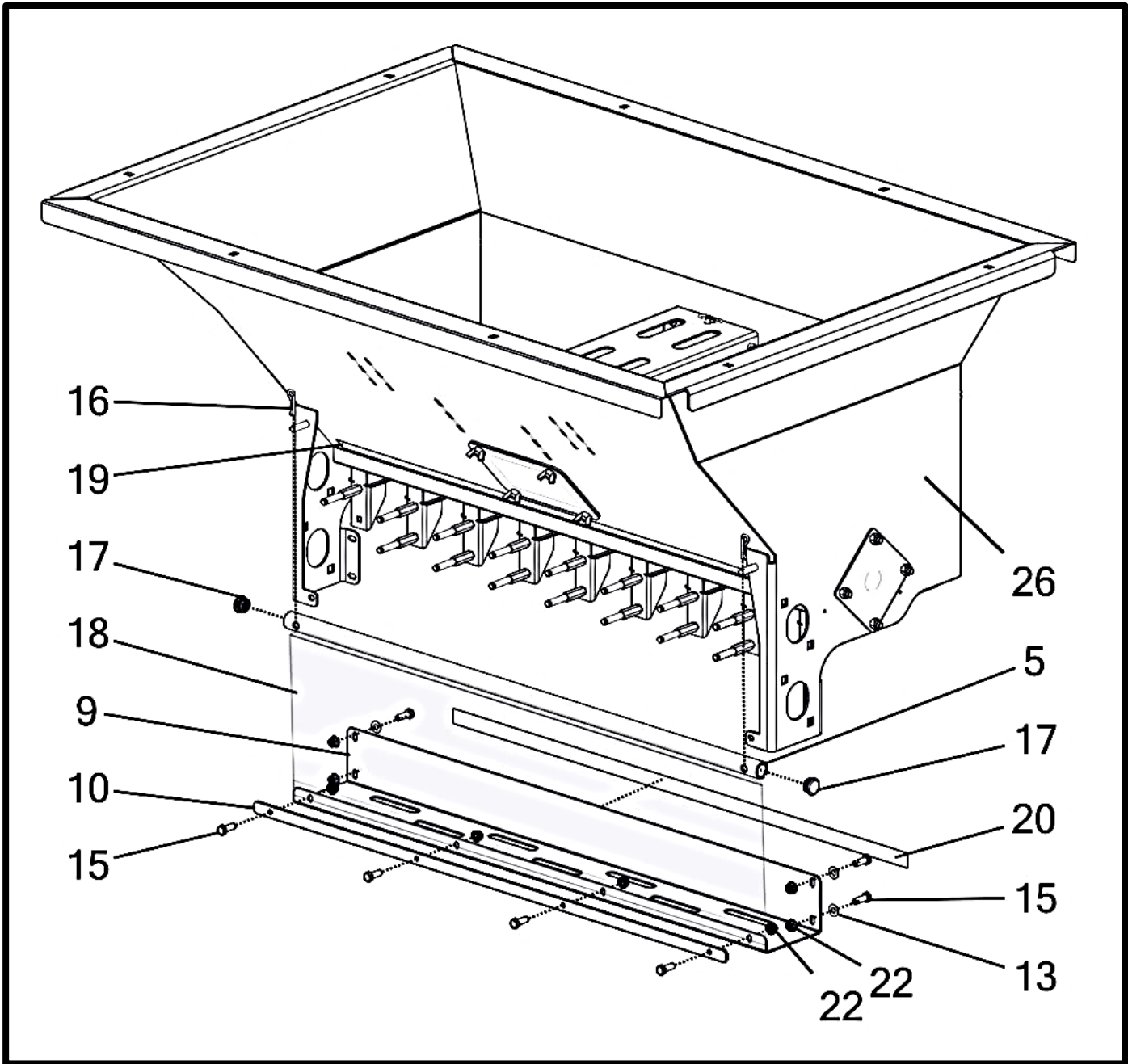


## Tank To Meter

Item No.	Qty	Part Number	Description
1	1	M003200	Seal - Tank To Meter Gen 2 8 Row (2018+) <b>(R0184)</b>
2	8	P000058	Nut - 1/2-13 Hex Nylon Lock (GR 5 M/S FA) *
3	16	P002889	Washer - 1/2" SAE Flat (1.062" OD) (GR 5 M/S FA) *
4	8	P002890	Bolt - 1/2-13 x 6 x 1.25 Hex (GR 5 M/S FA) *
5	1	P002902__	Tank - 2208 30 Cu. Ft. Poly
6	2	W002568__	Frame - Poly Tank Mount Gen 2 8 Row
7	4	W002593__	Bracket - Poly Tank Clamp Gen 2 8 Row

(\*) Included in K002211 - Kit - Tank Tube Mount Hardware Gen 2 8 Row

### Trough – Shield and Bracket (LH and RH†)



<b>P002170</b>							
A	B	C	D	E	F	G	H
<b>P002171</b>							
H	G	F	E	D	C	B	A

## Trough – Shield and Bracket (LH and RH†)

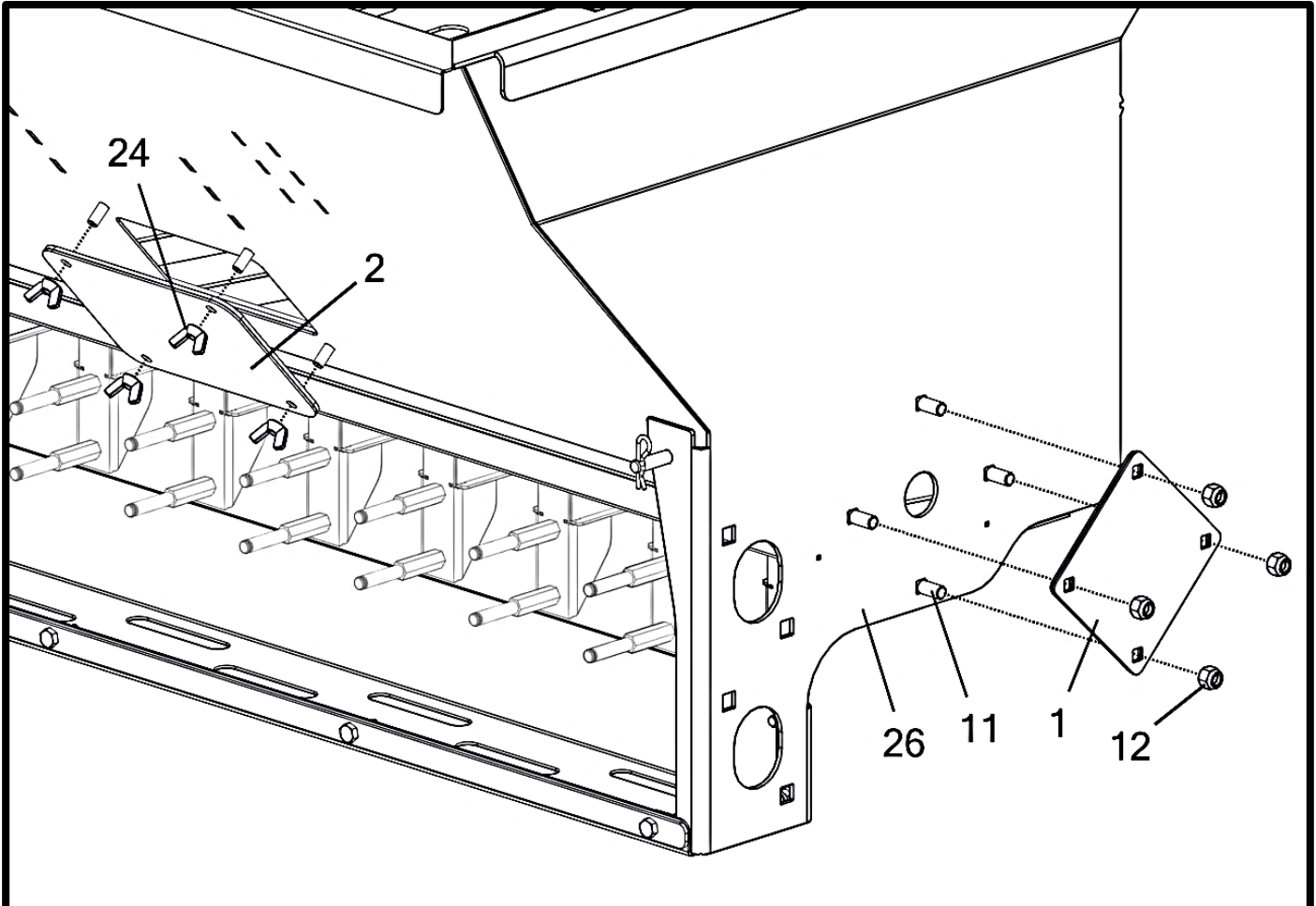
Item No.	Qty	Part Number	Description
	1	A002251	Meter - Gen 2 2208 Assembly (LH) (2018+)
	1	A002253	Meter - Gen 2 2208 Assembly (RH) (2018+)
1	1	A002148	Cover - Slide Gate Cylinder Hole Plate w/ Gasket
2	1	A002257	Cover - Clean Out Door W/Gasket (Gen 2)
3	6	M002105	Block - UHMW Slide Gate Retainer
4	16	M002186	Pin - 1/2" Hex 3/8" Gearbox
5	1	M002440	Tube - Shield Tarp Gen 2 8 Row
6	4	M002447	Tape - 1/2" x 1/16" UHMW Slide Gate 8 Row
7	1	M002552	Support - Inner Tank Trough
8	1	M002574	Pin - Trough Support Hinge
9	1	M003198	Bracket - Tarp Guard Mounting Gen 2 8 Row (2018+)
10	1	M003199	Plate - Vinyl Tarp Shield Gen 2 8 Row (2018+)
11	4	P000098	Bolt - 3/8-16 x 1 x 1 Carriage (F593 304 S/S FB)
12	4	P000105	Nut - 3/8-16 Hex Nylon Lock (F594 316 S/S FB)
13	4	P000109*	Washer - 5/16" Flat (0.75" OD) (18-8 S/S FB)
14	16	P000527	Bolt - 5/16-18 x 0.75 x 0.75 Carriage (F593 304 S/S FB)
15	8	P000711*	Bolt - 5/16-18 x 1 x 0.875 Hex (F593 304 S/S FB)
16	2	P002007	Hairpin Clip - 3/8" x 1 5/8" S/S
17	2	P002055	Cap - 3/4" Plastic Pipe
18	1	P002157	Tarp - Clear Vinyl Shield Gen 2 8 Row
19	1	P002170	Decal - Tank Row Label 8 Row (A-H)
20	1	P002171	Decal - Tank Row Label 8 Row (H-A)
21	2	P002215	Retainer - 3/8" E-Clip
22	8	P002224*	Nut - 5/16-18 Flange Nylon Lock (18-8 S/S FB)
23	7	P002255	Pin - Hairpin Bowtie 3/8" x 3/32" x 1 7/8"
24	4	P002854	Nut - 5/16-18 Wing (Nylon 6/6 FB)
25	1	W002286	Slide Gate - 8 Row
26	1	W002567	Trough - Gen 2 2208 Meter (2018+)

(\* ) Included in K002543 - Kit - Gen 2 2X08 Trough Hardware

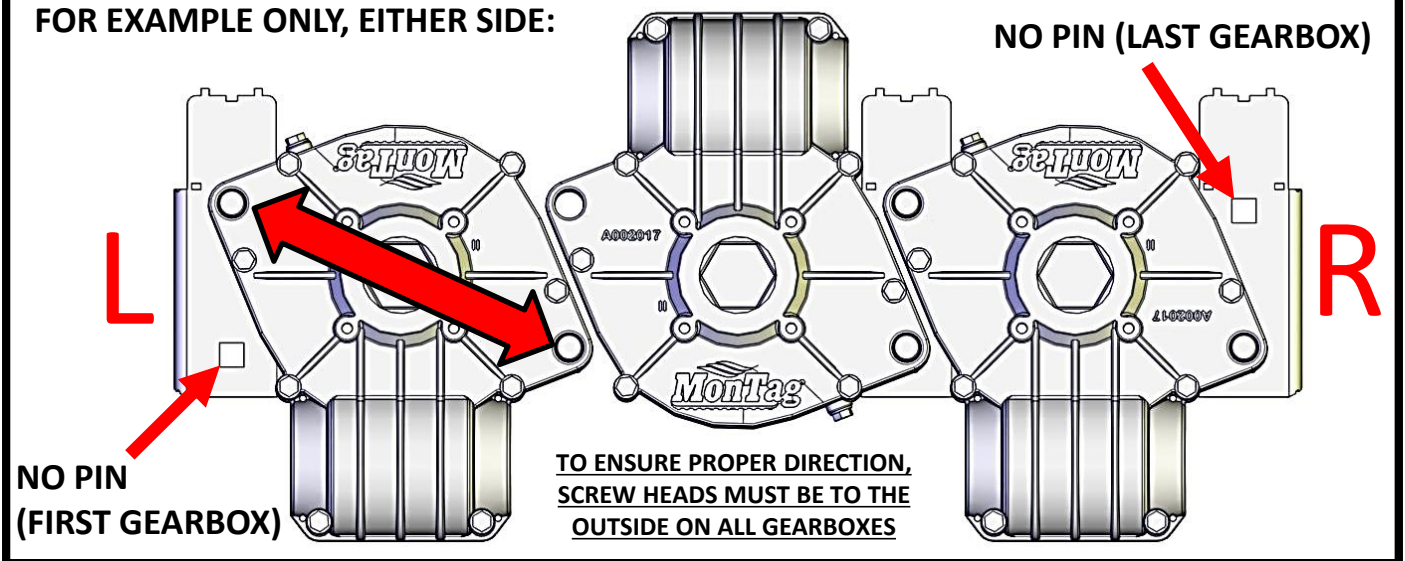
(†) Left and Right sides are identical except for the placement of the following:

- Slide Gate Cylinder Hole Covers (Item 1) - Must be opposite fan end.
- Gearbox Pins (Item 4) - On either side, higher pin for each gearbox is to the left.
- Row Label Decals (Items 19 & 20) - Letter 'A' will always be on the fan end.

### Trough - Non-Cylinder End (LH and RH†)



FOR EXAMPLE ONLY, EITHER SIDE:



## Trough - Non-Cylinder End (LH and RH†)

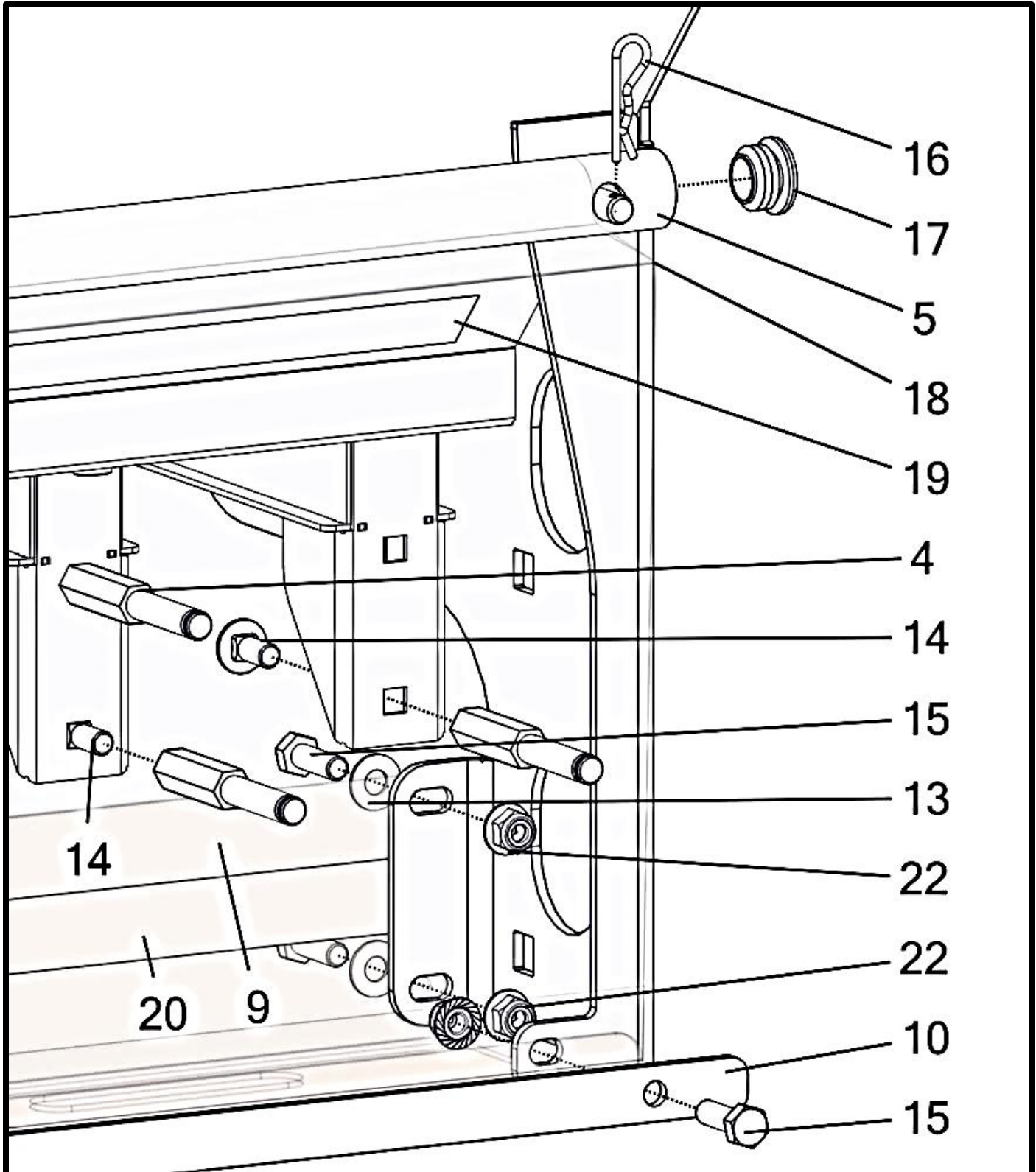
Item No.	Qty	Part Number	Description
	1	A002251	Meter - Gen 2 2208 Assembly (LH) (2018+)
	1	A002253	Meter - Gen 2 2208 Assembly (RH) (2018+)
1	1	A002148	Cover - Slide Gate Cylinder Hole Plate w/ Gasket
2	1	A002257	Cover - Clean Out Door W/Gasket (Gen 2)
3	6	M002105	Block - UHMW Slide Gate Retainer
4	16	M002186	Pin - 1/2" Hex 3/8" Gearbox
5	1	M002440	Tube - Shield Tarp Gen 2 8 Row
6	4	M002447	Tape - 1/2" x 1/16" UHMW Slide Gate 8 Row
7	1	M002552	Support - Inner Tank Trough
8	1	M002574	Pin - Trough Support Hinge
9	1	M003198	Bracket - Tarp Guard Mounting Gen 2 8 Row (2018+)
10	1	M003199	Plate - Vinyl Tarp Shield Gen 2 8 Row (2018+)
11	4	P000098	Bolt - 3/8-16 x 1 x 1 Carriage (F593 304 S/S FB)
12	4	P000105	Nut - 3/8-16 Hex Nylon Lock (F594 316 S/S FB)
13	4	P000109*	Washer - 5/16" Flat (0.75" OD) (18-8 S/S FB)
14	16	P000527	Bolt - 5/16-18 x 0.75 x 0.75 Carriage (F593 304 S/S FB)
15	8	P000711*	Bolt - 5/16-18 x 1 x 0.875 Hex (F593 304 S/S FB)
16	2	P002007	Hairpin Clip - 3/8" x 1 5/8" S/S
17	2	P002055	Cap - 3/4" Plastic Pipe
18	1	P002157	Tarp - Clear Vinyl Shield Gen 2 8 Row
19	1	P002170	Decal - Tank Row Label 8 Row (A-H)
20	1	P002171	Decal - Tank Row Label 8 Row (H-A)
21	2	P002215	Retainer - 3/8" E-Clip
22	8	P002224*	Nut - 5/16-18 Flange Nylon Lock (18-8 S/S FB)
23	7	P002255	Pin - Hairpin Bowtie 3/8" x 3/32" x 1 7/8"
24	4	P002854	Nut - 5/16-18 Wing (Nylon 6/6 FB)
25	1	W002286	Slide Gate - 8 Row
26	1	W002567	Trough - Gen 2 2208 Meter (2018+)

(\* ) Included in K002543 - Kit - Gen 2 2X08 Trough Hardware

(†) Left and Right sides are identical except for the placement of the following:

- Slide Gate Cylinder Hole Covers (Item 1) - Must be opposite fan end.
- Gearbox Pins (Item 4) - On either side, higher pin for each gearbox is to the left.
- Row Label Decals (Items 19 & 20) - Letter 'A' will always be on the fan end.

### Trough - Hanger And Bracket (LH and RH†)



## Trough - Hanger And Bracket (LH and RH†)

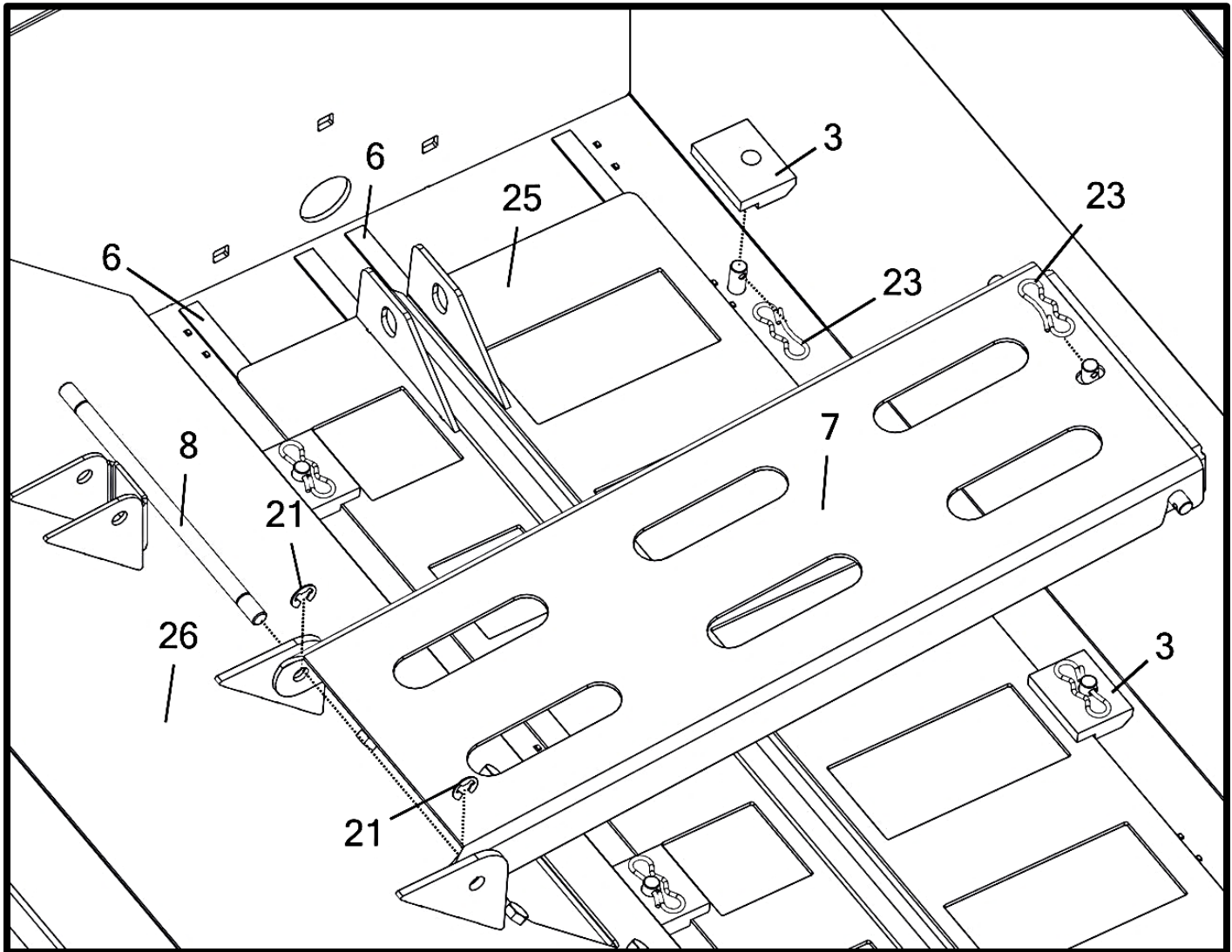
Item No.	Qty	Part Number	Description
	1	A002251	Meter - Gen 2 2208 Assembly (LH) (2018+)
	1	A002253	Meter - Gen 2 2208 Assembly (RH) (2018+)
1	1	A002148	Cover - Slide Gate Cylinder Hole Plate w/ Gasket
2	1	A002257	Cover - Clean Out Door W/Gasket (Gen 2)
3	6	M002105	Block - UHMW Slide Gate Retainer
4	16	M002186	Pin - 1/2" Hex 3/8" Gearbox
5	1	M002440	Tube - Shield Tarp Gen 2 8 Row
6	4	M002447	Tape - 1/2" x 1/16" UHMW Slide Gate 8 Row
7	1	M002552	Support - Inner Tank Trough
8	1	M002574	Pin - Trough Support Hinge
9	1	M003198	Bracket - Tarp Guard Mounting Gen 2 8 Row (2018+)
10	1	M003199	Plate - Vinyl Tarp Shield Gen 2 8 Row (2018+)
11	4	P000098	Bolt - 3/8-16 x 1 x 1 Carriage (F593 304 S/S FB)
12	4	P000105	Nut - 3/8-16 Hex Nylon Lock (F594 316 S/S FB)
13	4	P000109*	Washer - 5/16" Flat (0.75" OD) (18-8 S/S FB)
14	16	P000527	Bolt - 5/16-18 x 0.75 x 0.75 Carriage (F593 304 S/S FB)
15	8	P000711*	Bolt - 5/16-18 x 1 x 0.875 Hex (F593 304 S/S FB)
16	2	P002007	Hairpin Clip - 3/8" x 1 5/8" S/S
17	2	P002055	Cap - 3/4" Plastic Pipe
18	1	P002157	Tarp - Clear Vinyl Shield Gen 2 8 Row
19	1	P002170	Decal - Tank Row Label 8 Row (A-H)
20	1	P002171	Decal - Tank Row Label 8 Row (H-A)
21	2	P002215	Retainer - 3/8" E-Clip
22	8	P002224*	Nut - 5/16-18 Flange Nylon Lock (18-8 S/S FB)
23	7	P002255	Pin - Hairpin Bowtie 3/8" x 3/32" x 1 7/8"
24	4	P002854	Nut - 5/16-18 Wing (Nylon 6/6 FB)
25	1	W002286	Slide Gate - 8 Row
26	1	W002567	Trough - Gen 2 2208 Meter (2018+)

(\* ) Included in K002543 - Kit - Gen 2 2X08 Trough Hardware

(†) Left and Right sides are identical except for the placement of the following:

- Slide Gate Cylinder Hole Covers (Item 1) - Must be opposite fan end.
- Gearbox Pins (Item 4) - On either side, higher pin for each gearbox is to the left.
- Row Label Decals (Items 19 & 20) - Letter 'A' will always be on the fan end.

### Trough - Slide Gate And Trough Support (LH and RH†)





## Trough - Slide Gate And Trough Support (LH and RH†)

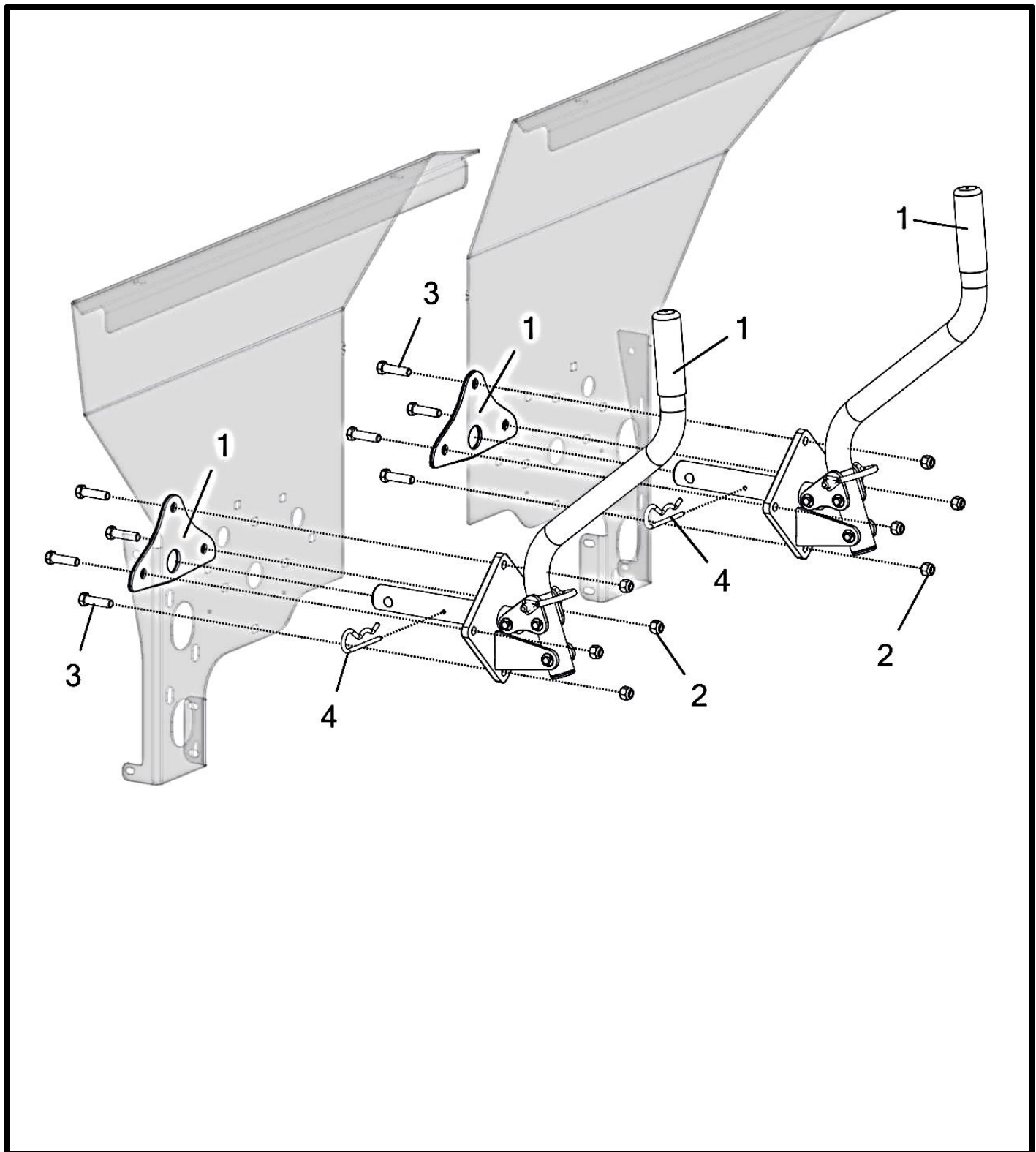
Item No.	Qty	Part Number	Description
	1	A002251	Meter - Gen 2 2208 Assembly (LH) (2018+)
	1	A002253	Meter - Gen 2 2208 Assembly (RH) (2018+)
1	1	A002148	Cover - Slide Gate Cylinder Hole Plate w/ Gasket
2	1	A002257	Cover - Clean Out Door W/Gasket (Gen 2)
3	6	M002105	Block - UHMW Slide Gate Retainer
4	16	M002186	Pin - 1/2" Hex 3/8" Gearbox
5	1	M002440	Tube - Shield Tarp Gen 2 8 Row
6	4	M002447	Tape - 1/2" x 1/16" UHMW Slide Gate 8 Row
7	1	M002552	Support - Inner Tank Trough
8	1	M002574	Pin - Trough Support Hinge
9	1	M003198	Bracket - Tarp Guard Mounting Gen 2 8 Row (2018+)
10	1	M003199	Plate - Vinyl Tarp Shield Gen 2 8 Row (2018+)
11	4	P000098	Bolt - 3/8-16 x 1 x 1 Carriage (F593 304 S/S FB)
12	4	P000105	Nut - 3/8-16 Hex Nylon Lock (F594 316 S/S FB)
13	4	P000109*	Washer - 5/16" Flat (0.75" OD) (18-8 S/S FB)
14	16	P000527	Bolt - 5/16-18 x 0.75 x 0.75 Carriage (F593 304 S/S FB)
15	8	P000711*	Bolt - 5/16-18 x 1 x 0.875 Hex (F593 304 S/S FB)
16	2	P002007	Hairpin Clip - 3/8" x 1 5/8" S/S
17	2	P002055	Cap - 3/4" Plastic Pipe
18	1	P002157	Tarp - Clear Vinyl Shield Gen 2 8 Row
19	1	P002170	Decal - Tank Row Label 8 Row (A-H)
20	1	P002171	Decal - Tank Row Label 8 Row (H-A)
21	2	P002215	Retainer - 3/8" E-Clip
22	8	P002224*	Nut - 5/16-18 Flange Nylon Lock (18-8 S/S FB)
23	7	P002255	Pin - Hairpin Bowtie 3/8" x 3/32" x 1 7/8"
24	4	P002854	Nut - 5/16-18 Wing (Nylon 6/6 FB)
25	1	W002286	Slide Gate - 8 Row
26	1	W002567	Trough - Gen 2 2208 Meter (2018+)

(\* ) Included in K002543 - Kit - Gen 2 2X08 Trough Hardware

(†) Left and Right sides are identical except for the placement of the following:

- Slide Gate Cylinder Hole Covers (Item 1) - Must be opposite fan end.
- Gearbox Pins (Item 4) - On either side, higher pin for each gearbox is to the left.
- Row Label Decals (Items 19 & 20) - Letter 'A' will always be on the fan end.

## Manual Slide Gate Cylinder Mounting



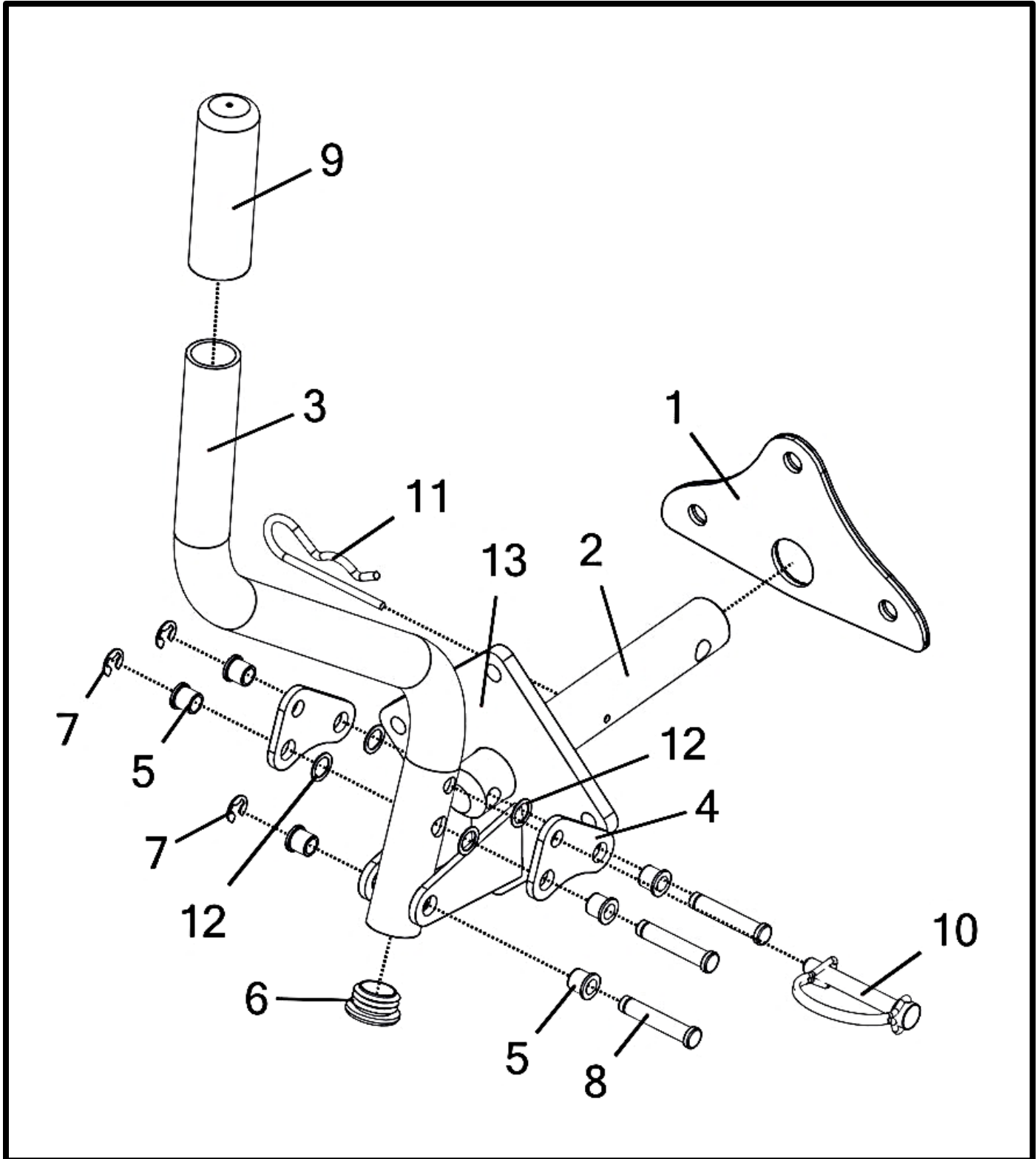
## Manual Slide Gate Cylinder Mounting

Item No.	Qty	Part Number	Description
1	2	A002259__	Mount - Manual Slide Gate Control Lever Assembly
2	8	P000105	Nut - 3/8-16 Hex Nylon Lock (F594 316 S/S FB) *
3	8	P002430	Bolt - 3/8-16 x 1.5 x 1 Hex (F593 304 S/S FB) * †
4	2	P002861	Pin - Hairpin Clip 1" x 11/64" x 3-1/2" (18-8 S/S FB)

(\* ) Included In K002054 - Kit - Slide Gate Cylinder Mount Hardware (Outside)  
 (†) Included In K002263 - Kit - Inside Manual Slide Gate Control Mount Hardware



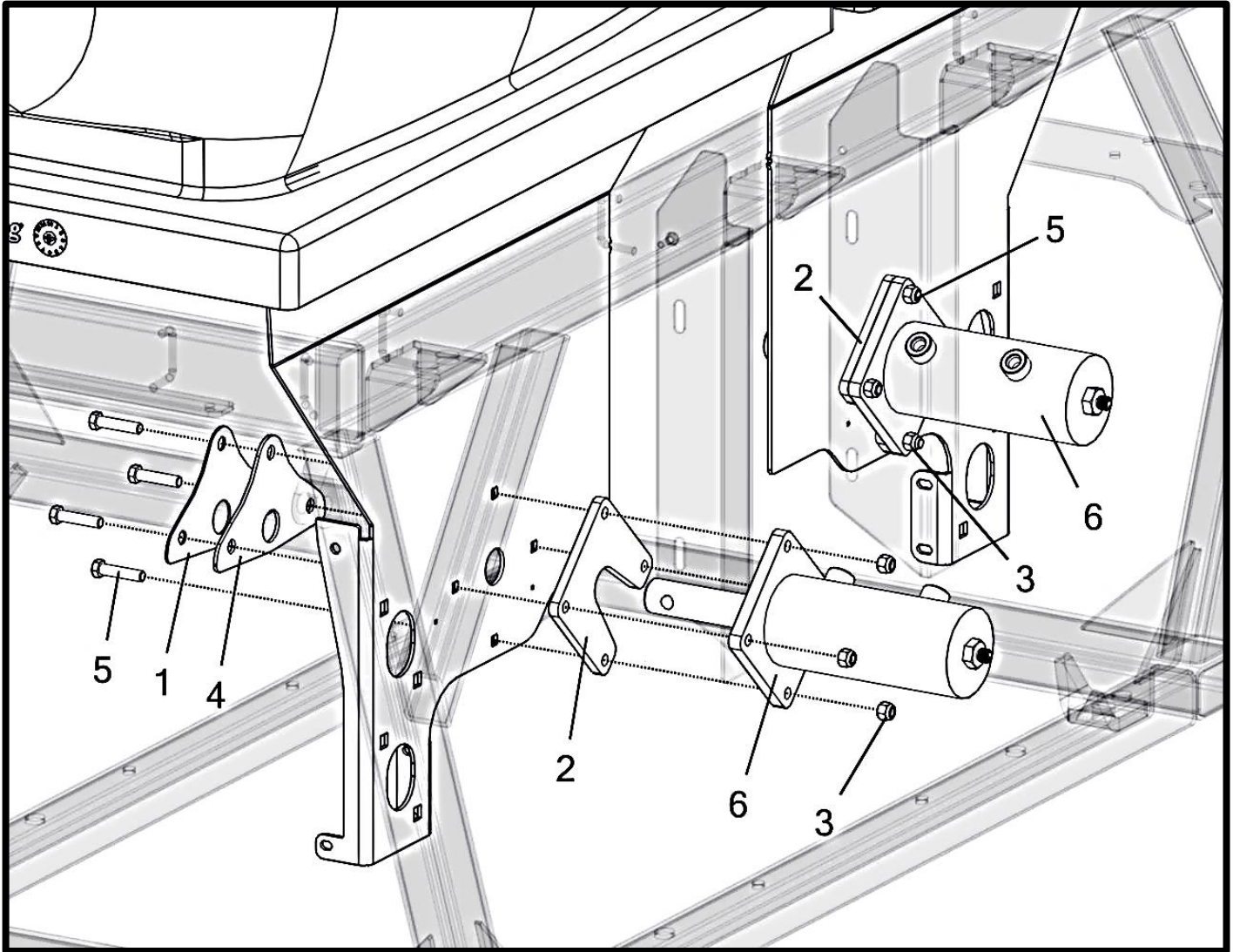
## Manual Slide Gate Cylinder Assembly



## Manual Slide Gate Cylinder Assembly

Item No.	Qty	Part Number	Description
		<b>A002259__</b>	<b>Mount - Manual Slide Gate Control Lever Assembly</b>
1	1	A002258	Seal - Slide Gate Cylinder Tank Gasket
2	1	M003227	Rod - Manual Slide Gate Control
3	1	M003229__	Tube - Manual Slide Gate Control Lever Handle
4	2	M003230__	Plate - Manual Slide Gate Control Linkage
5	6	P000393	Bushing - 3/8" x 1/2" x 1/2 Plastic Flange
6	1	P000458	Cap - 1-1/4" x 10-14 GA Round Plastic Tube
7	3	P002215	Retainer - 3/8" E-Clip
8	3	P002216	Pin - Grooved Clevis 3/8" X 2" X 1 13/16" (18-8 S/S)
9	1	P002857	Cap - 1-1/4" x 4" Round Tube Vinyl Grip
10	1	P002859	Pin - 3/8" x 2-1/8" Round Wire Lock
11	1	P002861	Pin - Hairpin Clip 1" x 11/64" x 3-1/2" (18-8 S/S FB)
12	4	P002863	Washer - 7/16" Flat (0.688" OD) (Nylon 6/6 FB)
13	1	W002577__	Bracket - Manual Slide Gate Control Lever Mount

## Hydraulic Slide Gate Cylinder Mounting



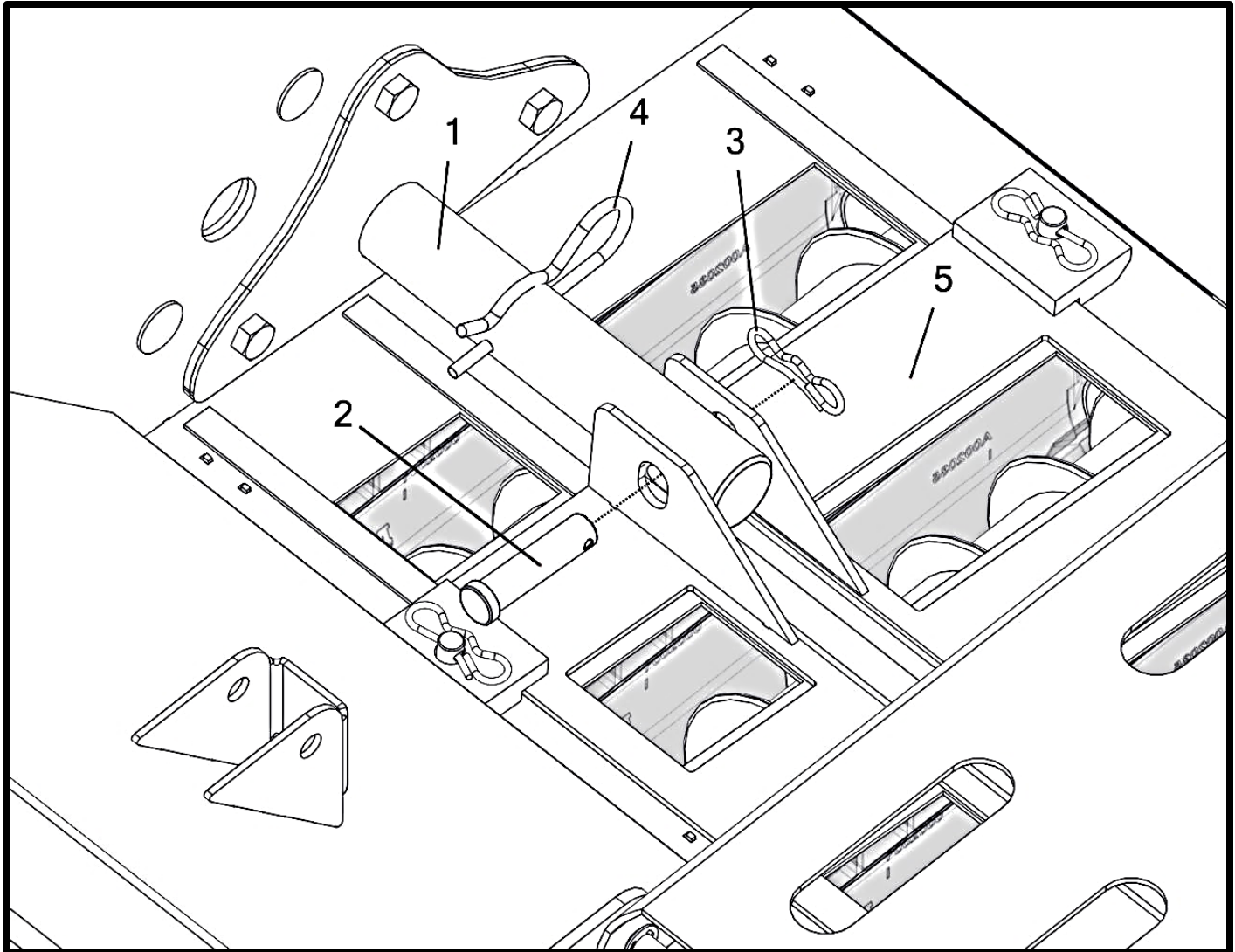
## Hydraulic Slide Gate Cylinder Mounting

Item No.	Qty	Part Number	Description
		<b>A002506__</b>	<b>Cylinder - Slide Gate Sub-Assembly (Rear Sensor)</b>
1	2	M002403	Plate - Slide Gate Cylinder Gasket Seal Backing
2	2	M003076	Plate - Slide Gate Cylinder Drain Spacer
3	8	P000105	Nut - 3/8-16 Hex Nylon Lock (F594 316 S/S FB) *
4	2	P002148	Gasket - Slide Gate Cylinder Tank Seal
5	8	P002712	Bolt - 3/8-16 x 1.75 x 1 Hex (F593 304 S/S FB) * †
6	2	P002963	Cylinder - 3" B x 2.38" S x 1.25" R (Analog Sensor)

(\*) Included In K002148 - Kit - Slide Gate Cylinder Mount Hardware Gen 2 (Outside)

(†) Included In K002264 - Kit - Inside Hydraulic Slide Gate Control Mount Hardware

## Inside Tank Area





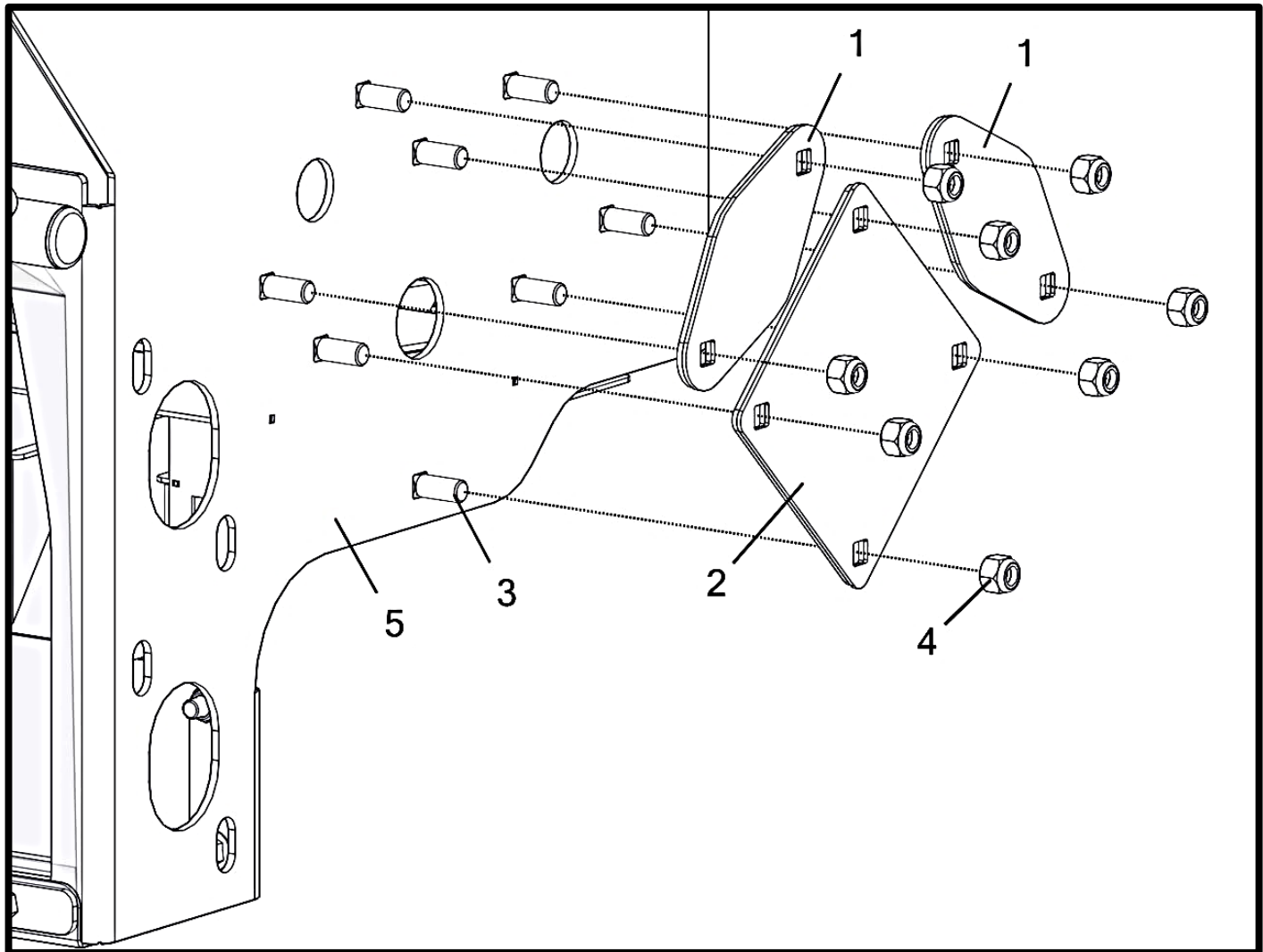
## Inside Tank Area

Item No.	Qty	Part Number	Description
1	1	A002259_ _	Mount - Manual Slide Gate Control Lever Assembly
		A002235_ _	Cylinder - Slide Gate Sub-Assembly 12 Row (Not Shown)
2	1	P002064	Pin - 1/2" x 2" Clevis *
3	1	P002255	Pin - Hairpin Bowtie 3/8" x 3/32" x 1 7/8" *
4	1	P002861	Pin - Hairpin Clip 1" x 11/64" x 3-1/2" (18-8 S/S FB)
5	1	W002286	Slide Gate - 8 Row

(\*) Included in K002263 - Kit - Inside Manual Slide Gate Control Mount Hardware  
or  
K002264 - Kit - Inside Hydraulic Slide Gate Control Mount Hardware

**QTY'S SHOWN IN BOM ARE FOR ONE TANK**

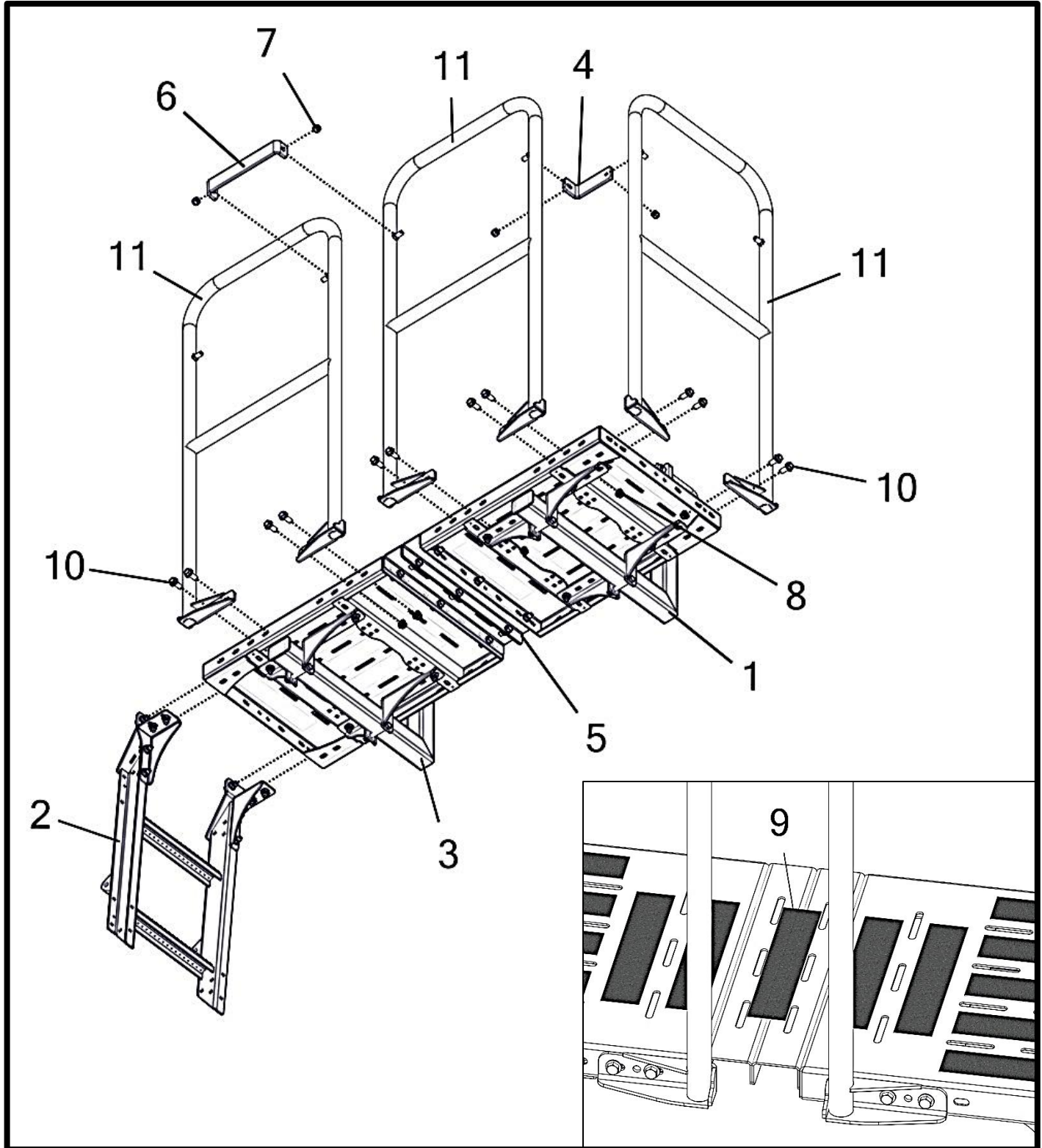
## Non-Cylinder End Agitator Covers (Pre-2020)



## Non-Cylinder End Agitator Covers (Pre-2020)

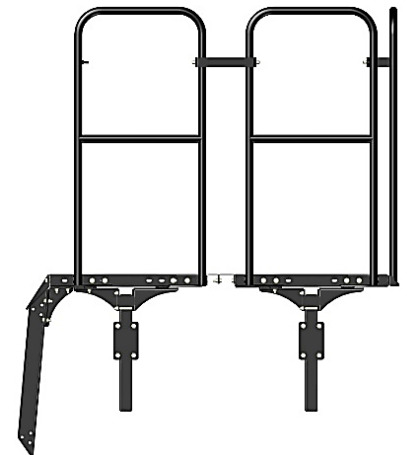
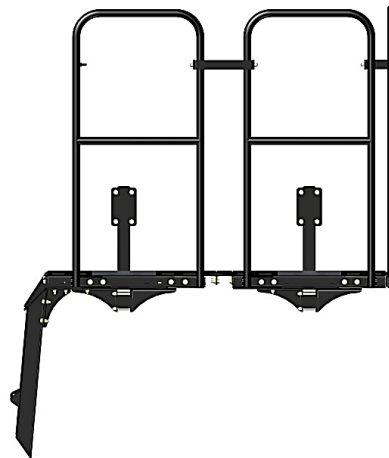
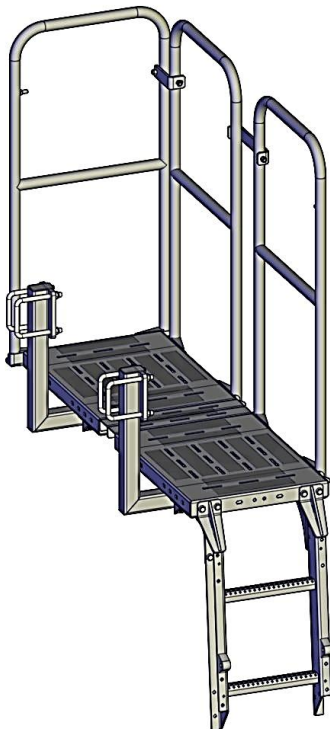
Item No.	Qty	Part Number	Description
1	2	A002147	Cover - Agitator End Plate w/ Gasket
2	1	A002148	Cover - Slide Gate Cylinder Hole Plate w/ Gasket
3	8	P000098	Bolt - 3/8-16 x 1 x 1 Carriage (F593 304 S/S FB)
4	8	P000105	Nut - 3/8-16 Hex Nylon Lock (F594 316 S/S FB)
5	1	W00_ _ _ _ _	Trough - 2208 Meter

## Platform - 2208 Dual Deck Assembly w/Ladder

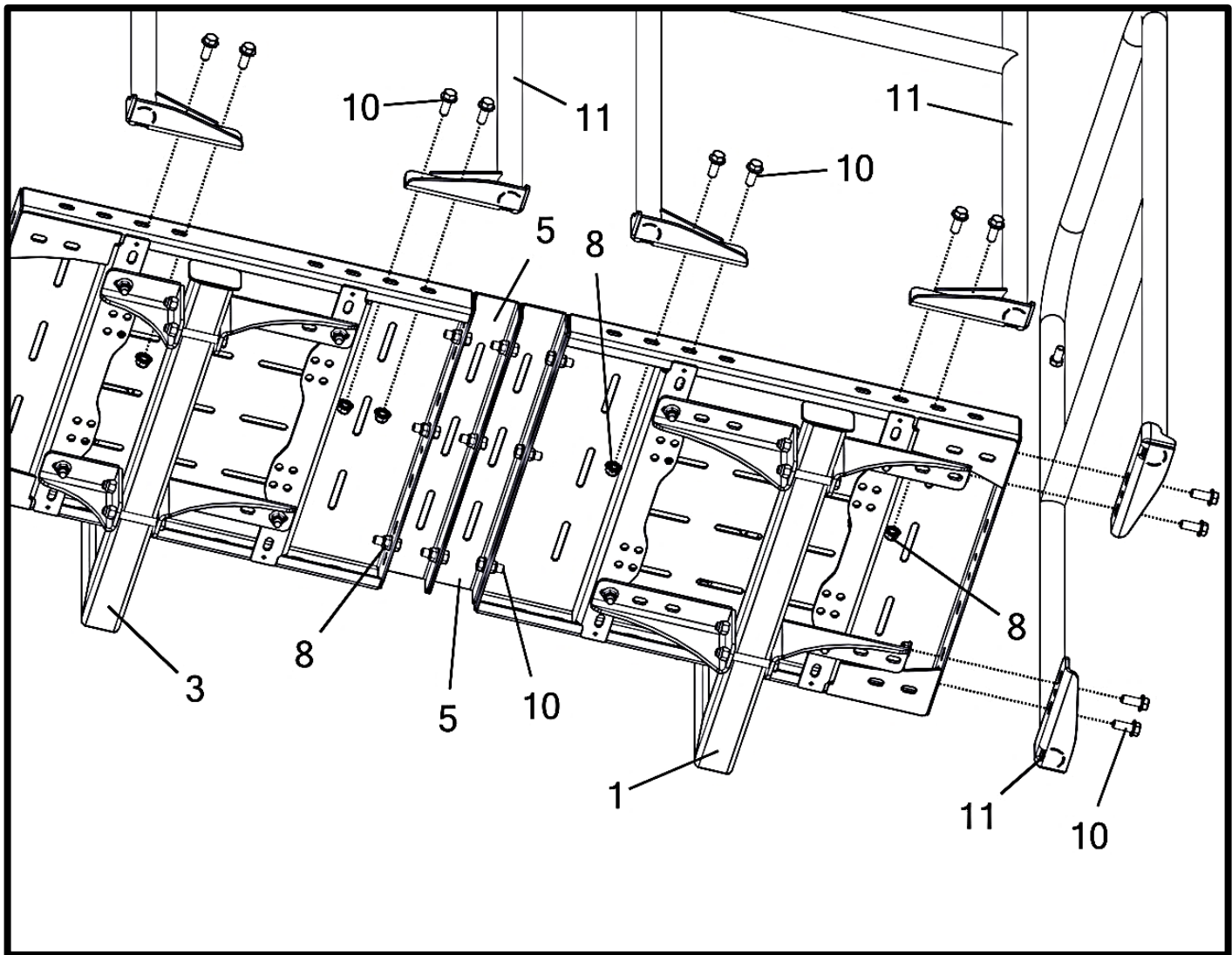


## Platform - 2208 Dual Deck Assembly w/Ladder

Item No.	Qty	Part Number	Description
		<b>K002424__</b>	<b>Kit - 2208 Dual Deck Platform Complete</b>
1	1	K002369__	Platform - 2108 Single Step Complete
2	1	K002370__	Platform - 2X08 Platform Bolt-On Ladder Complete
3	1	K002535__	Platform - 2XX8 Single Step Complete (Ladder Side Offset)
4	1	M003597__	Bracket - 2X08 Corner Rail Brace
5	2	M003599__	Spacer - 2208 Double Platform
6	1	M003601__	Bracket - 2X08 Multi Platform Railing Support
7	4	P000057	Nut - 3/8-16 Hex Nylon Lock (GR 5 M/S FA)
8	21	P002205	Nut - 3/8-16 Flange Nylon Lock (GR 5 M/S FA)
9	1	P002233	Decal - Anti-Slip Safety Tape (2" x 10") Black 36g
10	21	P002472	Bolt - 3/8-16 x 1 x 1 Flange (GR 5 M/S FA)
11	3	W002745__	Rail - 2X08 Hand



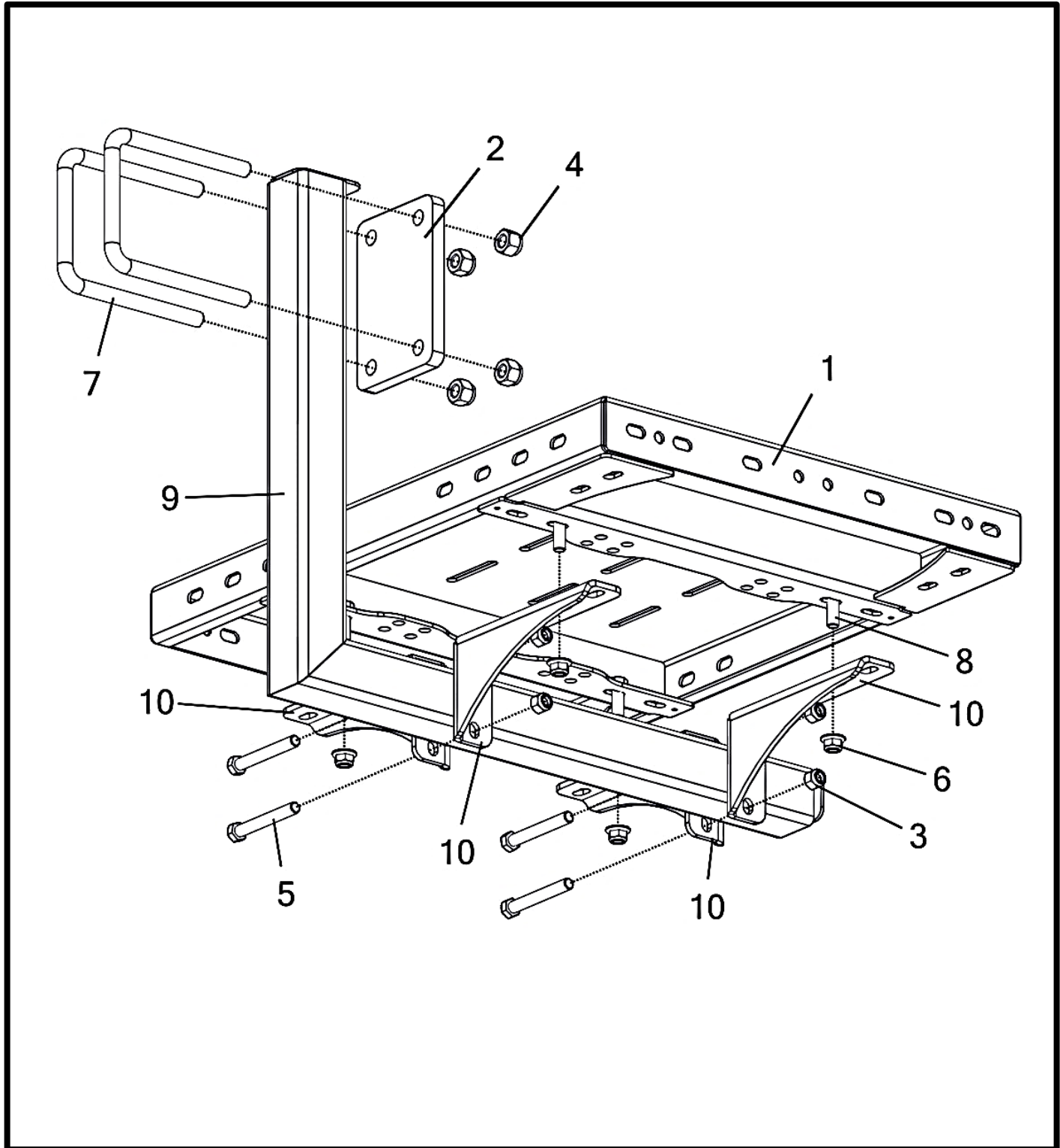
## Platform - 2208 Dual Deck Assembly w/Ladder (Underside)



## Platform - 2208 Dual Deck Assembly w/Ladder (Underside)

Item No.	Qty	Part Number	Description
		<b>K002424__</b>	<b>Kit - 2208 Dual Deck Platform Complete</b>
1	1	K002369__	Platform - 2108 Single Step Complete
2	1	K002370__	Platform - 2X08 Platform Bolt-On Ladder Complete
3	1	K002535__	Platform - 2XX8 Single Step Complete (Ladder Side Offset)
4	1	M003597__	Bracket - 2X08 Corner Rail Brace
5	2	M003599__	Spacer - 2208 Double Platform
6	1	M003601__	Bracket - 2X08 Multi Platform Railing Support
7	4	P000057	Nut - 3/8-16 Hex Nylon Lock (GR 5 M/S FA)
8	21	P002205	Nut - 3/8-16 Flange Nylon Lock (GR 5 M/S FA)
9	1	P002233	Decal - Anti-Slip Safety Tape (2" x 10") Black 36g
10	21	P002472	Bolt - 3/8-16 x 1 x 1 Flange (GR 5 M/S FA)
11	3	W002745__	Rail - 2X08 Hand

## Platform - 2X08 Single Step Complete



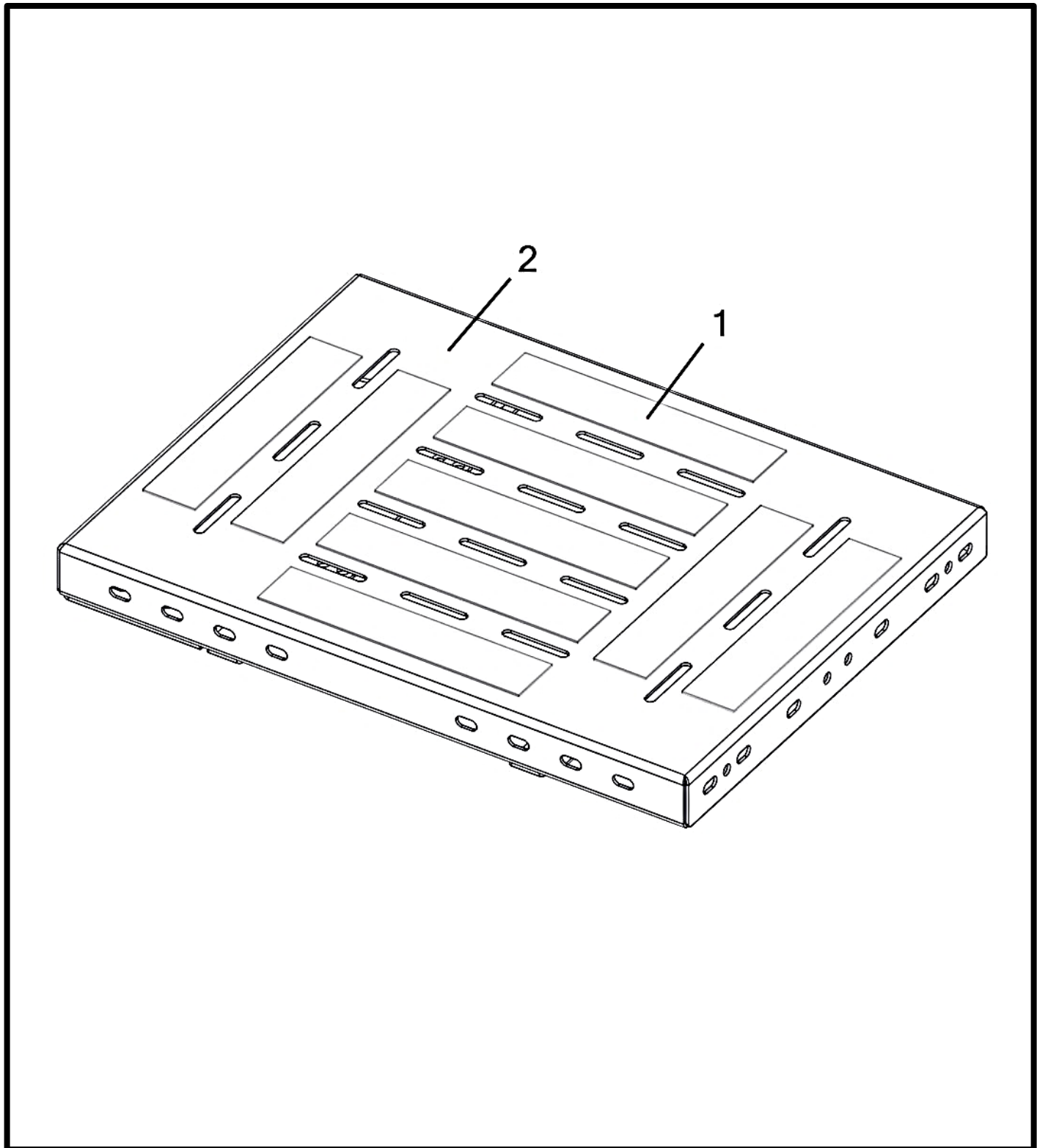


## Platform - 2X08 Single Step Complete

Item No.	Qty	Part Number	Description
		<b>K002369__</b>	<b>Platform - 2108 Single Step Complete</b>
		<b>K002535__</b>	<b>Platform - 2XX8 Single Step Complete (Ladder Side Offset) (Not Shown)</b>
1	1	A002473__	Platform - Deck (18" x 24") w/ Anti-Slip Tape
2	1	M003600__	Plate - 4" U-Bolt X 2" (1/2")
3	4	P000057	Nut - 3/8-16 Hex Nylon Lock (GR 5 M/S FA)
4	4	P000058	Nut - 1/2-13 Hex Nylon Lock (GR 5 M/S FA)
5	4	P000424	Bolt - 3/8-16 x 3 x 1 Hex (GR 5 M/S FA)
6	4	P002205	Nut - 3/8-16 Flange Nylon Lock (GR 5 M/S FA)
7	2	P002239	U-Bolt - 1/2" x 4-1/8" x 5 1/2
8	4	P002472	Bolt - 3/8-16 x 1 x 1 Flange (GR 5 M/S FA)
9	1	W002733__	Mount - 2X08 Platform
10	4	W002734__*	Gusset - XX08 Platform Underside Mount
	2	W002783__*	Gusset - 2X08 Platform Underside Mount (Short) (Not Shown)

(\* K002369 uses (4) W002734, K002535 uses (2) W002734 and (2) W002783

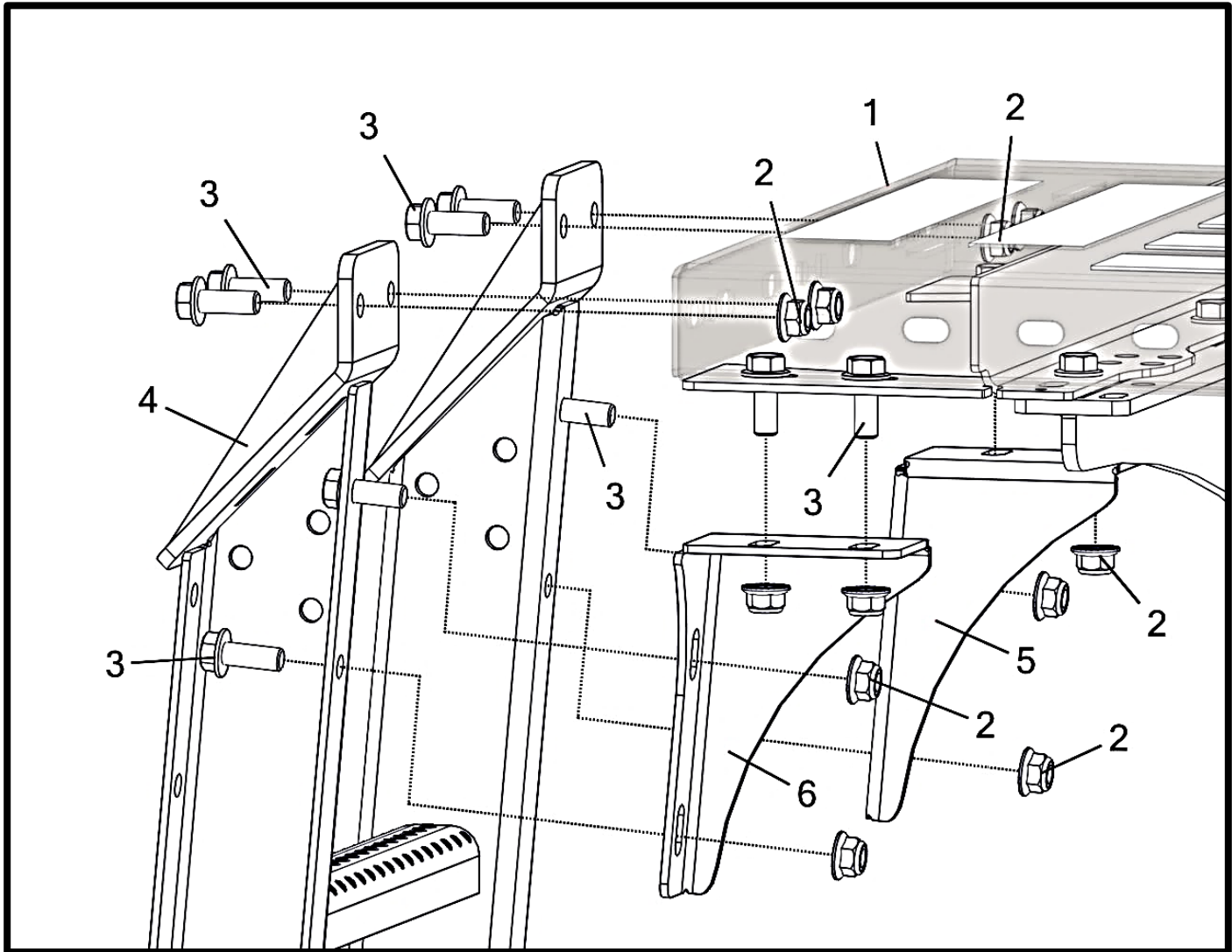
## Platform - Deck (18" X 24") W/ Anti-slip Tape



## Platform - Deck (18" X 24") W/ Anti-slip Tape

Item No.	Qty	Part Number	Description
		<b>A002473_ _</b>	<b>Platform - Deck (18" x 24") w/ Anti-Slip Tape</b>
1	9	P002233	Decal - Anti-Slip Safety Tape (2" x 10") Black 36g
2	1	W002605_ _	Grate - Deck Platform Plank (18" x 24")

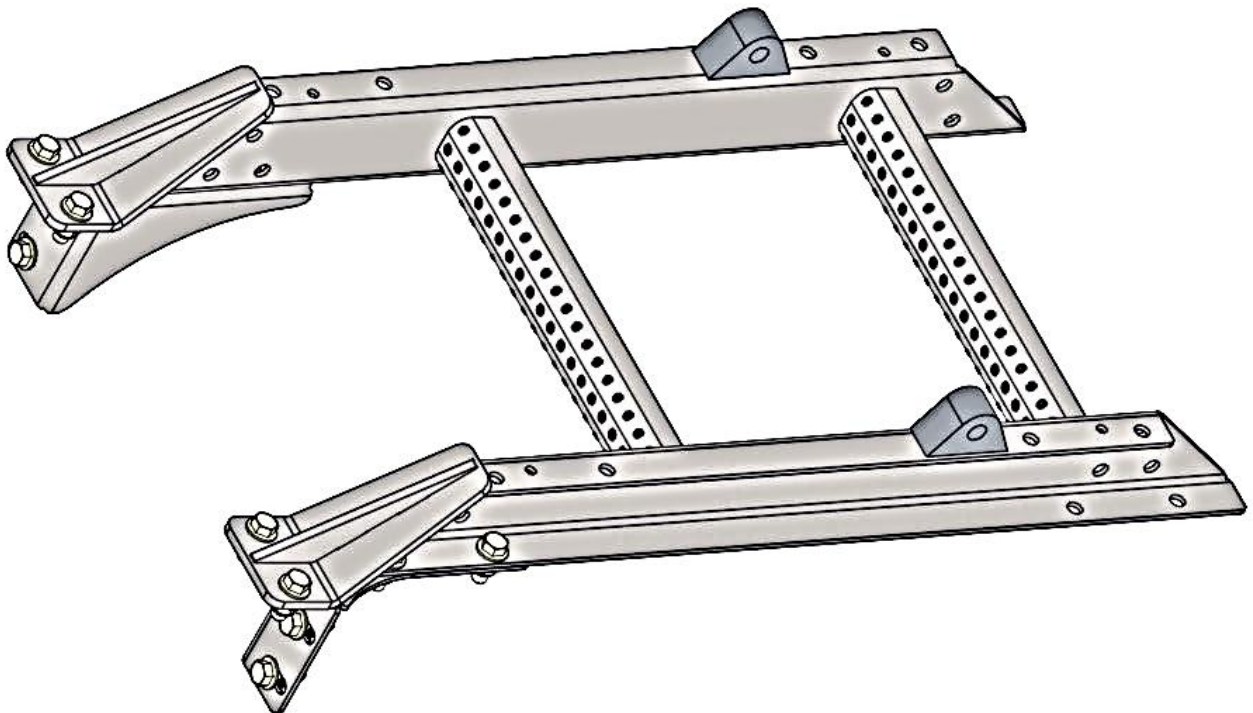
# Platform - 2X08 Platform Bolt-On Ladder Complete



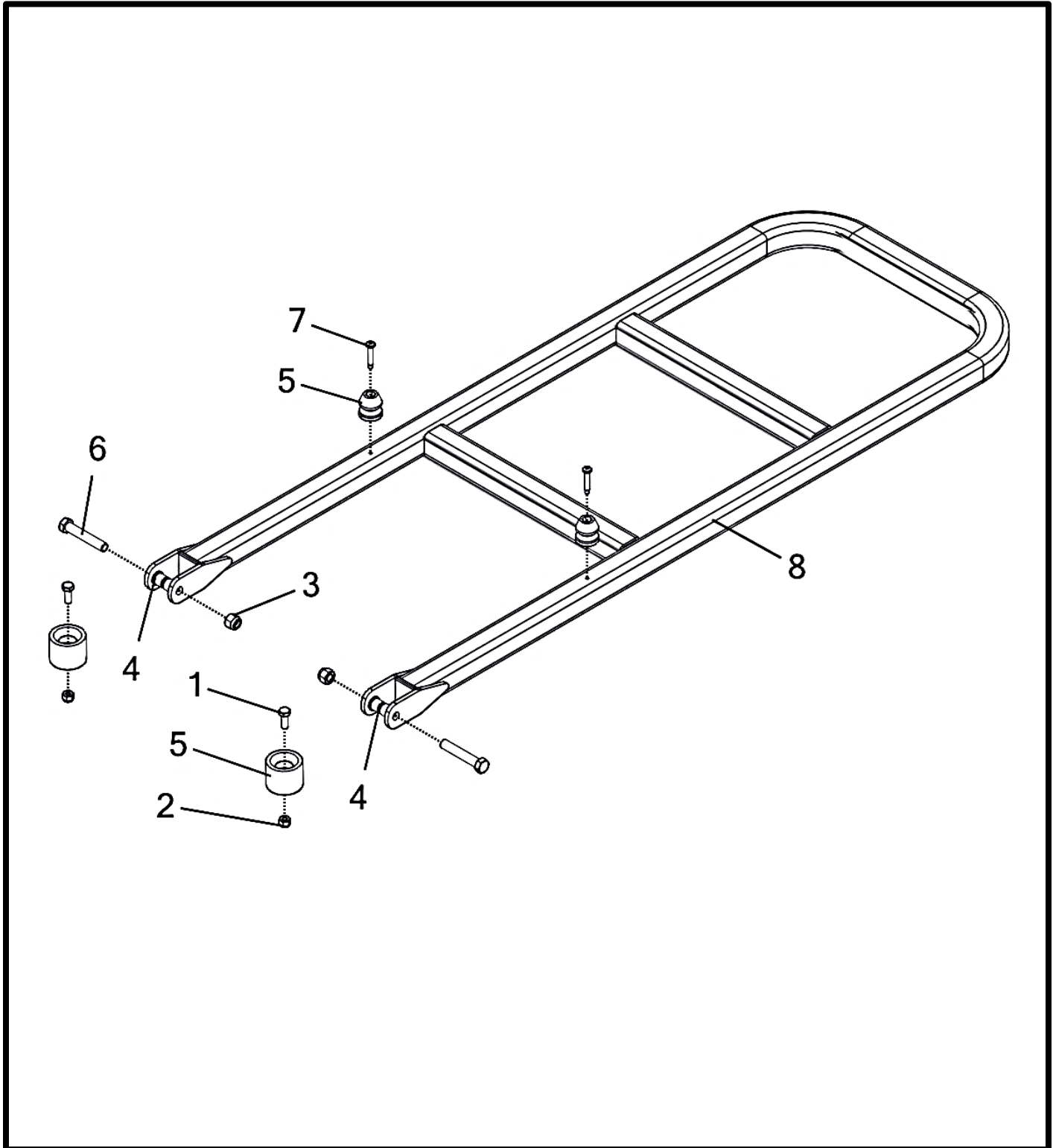
## Platform - 2X08 Platform Bolt-On Ladder Complete

Item No.	Qty	Part Number	Description
		<b>A002475__</b>	<b>Platform - 2208 Triple Deck Assembly w/Ladder</b>
1	3	A002473__	Platform - Deck (18" x 24") w/ Anti-Slip Tape
2	12	P002205	Nut - 3/8-16 Flange Nylon Lock (GR 5 M/S FA) *
3	12	P002472	Bolt - 3/8-16 x 1 x 1 Flange (GR 5 M/S FA) *
4	1	W002608__	Ladder - 2208 Platform
5	1	W002649__	Bracket - Platform Ladder Channel Gusset (LH)
6	1	W002650__	Bracket - Platform Ladder Channel Gusset (RH)

(\* ) Included in K002370 - Kit - 2X08 Platform Bolt-On Ladder Hardware

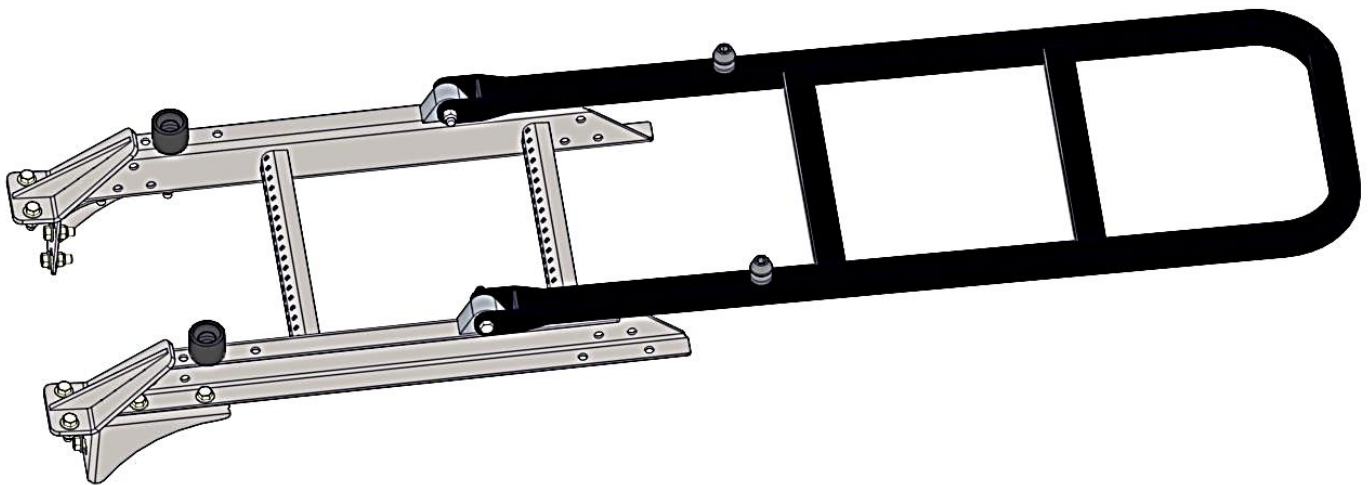


## Swing Ladder Add-on

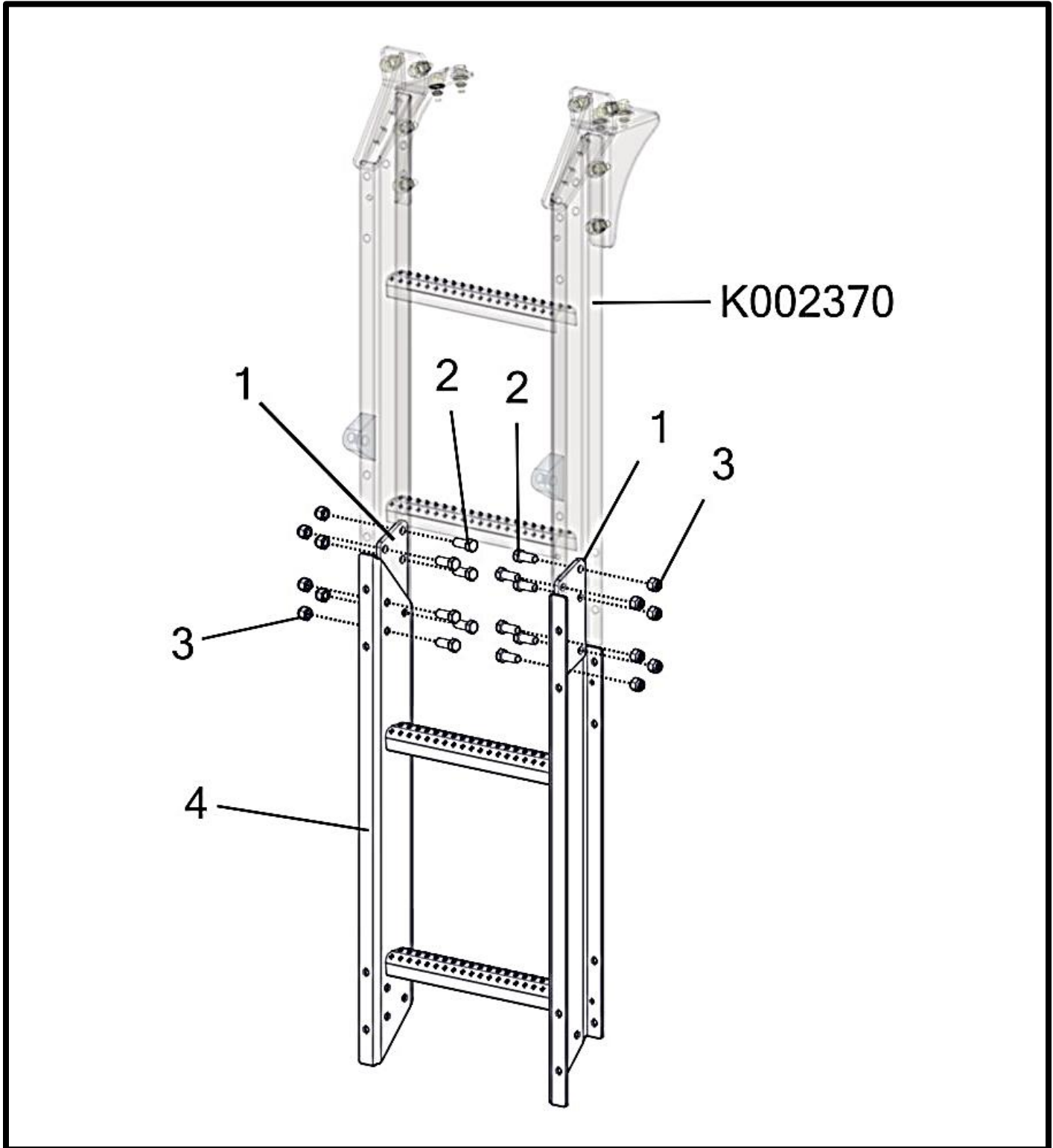


## Swing Ladder Add-on

Item No.	Qty	Part Number	Description
		<b>K002506__</b>	<b>Kit - 2X08 Platform Swing Ladder Add-On</b>
1	2	P000090	Bolt - 1/4-20 x 0.75 x 0.75 Hex (F593 304 S/S FB)
2	2	P000103	Nut - 1/4-20 Hex Nylon Lock (F594 316 S/S FB)
3	2	P000105	Nut - 3/8-16 Hex Nylon Lock (F594 316 S/S FB)
4	4	P000393	Bushing - 3/8" x 1/2" x 1/2 Plastic Flange
5	2	P000472	Catch - Rubber Deck Bumper Latch (2 Pieces Per)
6	2	P000930	Bolt - 3/8-16 x 2.25 x 1 Hex (F593 304 S/S FB)
7	2	P002708	Screw - #10-16 x 1.25 Self-Drilling Pan Head Square (18-8 S/S FB)
8	1	W002769__	Ladder - 2X08 Deck Swing



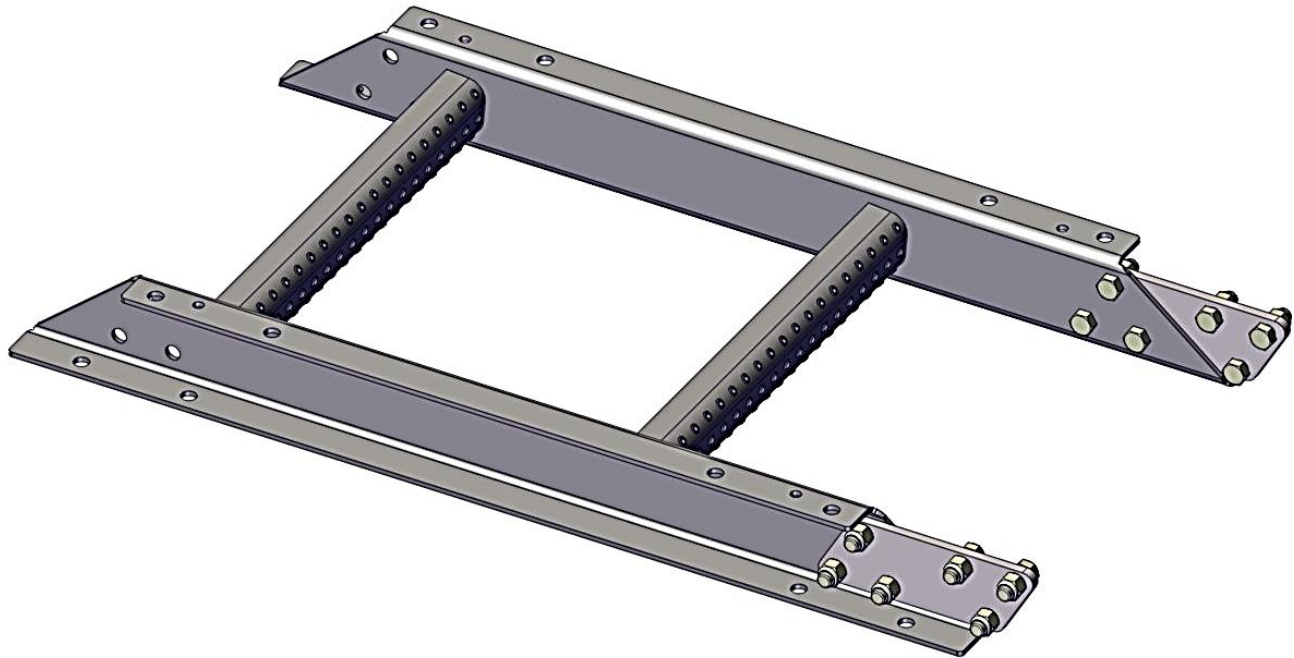
## Rigid Ladder Extension



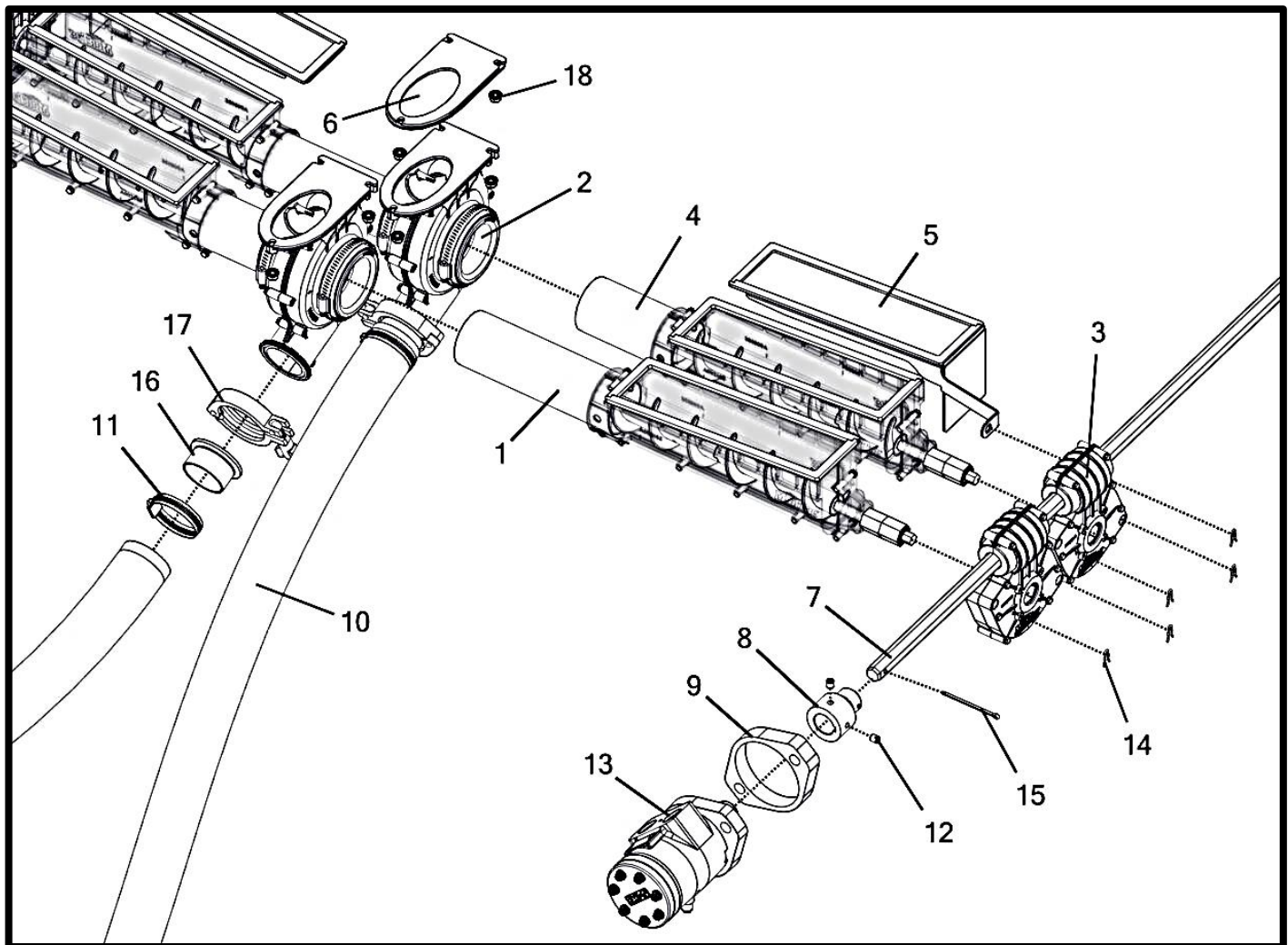


## Rigid Ladder Extension

Item No.	Qty	Part Number	Description
		<b>K002352</b>	<b>Kit - 2X08 Platform Ladder Extension</b>
1	2	M003495__	Plate - 2208 Platform Ladder Extender
2	12	P000039	Bolt - 3/8-16 x 1 x 1 Hex (GR 5 M/S FA)
3	12	P000057	Nut - 3/8-16 Hex Nylon Lock (GR 5 M/S FA)
4	1	W002711__	Ladder - 2X08 Platform



## Row Unit Overview

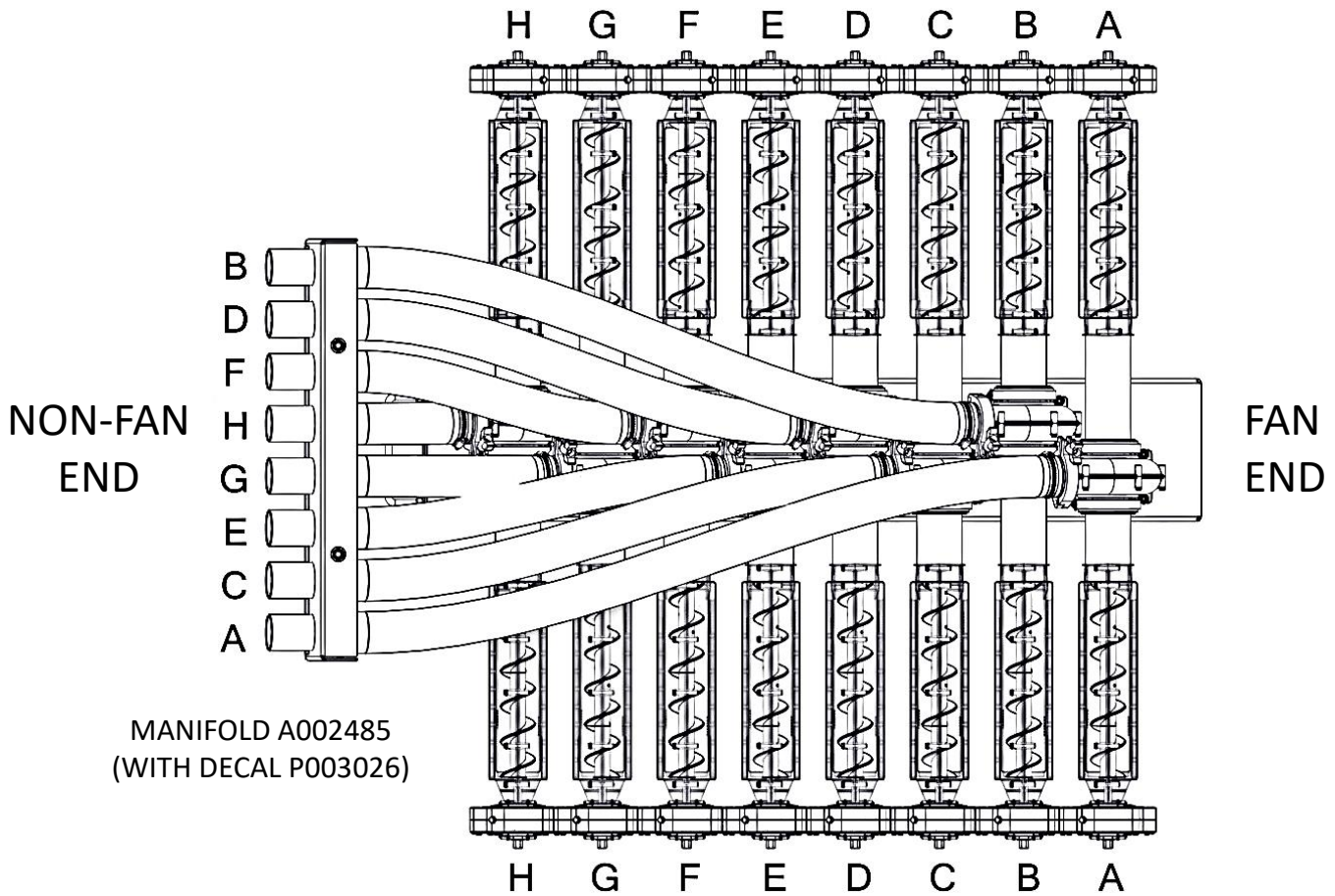


## Row Unit Overview

Item No.	Part Number	Description
1	A002000	Cartridge - Gen 2 2" x 20.5" Auger
2	A002014	Air Chamber - Gen 2 Bolt-On
3	A002017	Gear Box - Plastic 5/8 Hex - 7/8 Hex (22/7 Ratio)
4	A002025	Cartridge - Gen 2 2" x 17.5" Auger
5	A002055	Assembly - Cartridge Blank Gen 2
6	A002187	Assembly - Air Chamber Blank Gen 2
7	M002441	Shaft - 5/8" Gen 2 Mini Long Drive
	M002602	Shaft - 5/8" Gen 2 Mini Drive (Half) (Not Shown)
8	M002152	Coupler - 1" Round w/ Keyway to 5/8" Hex Shaft
9	M002604	Plate - Motor Spacer (3/4")
10	M00_ _ _ _	Hose - 2"
11	P000240	Hose Clamp - 2" S/S
12	P000785	Set Screw - 5/16-18 x 5/16" UNC
13	P000828	Motor - Hyd. 4.5 CU/IN Char-Lynn w/ Speed Sensor (101-3525-009)
14	P002009	Retaining Clip - 3/8" x 5/16" x 1"
15	P002013	Cotter Pin - 1/8" x 2.64" (S/S)
16	P002044	Flange - 2" Sanitary Quick Clamp Tube Adapter
17	P002058	Clamp - 2" Sanitary Quick
18	P002291	Nut - 1/4-20 Flange Nylon Lock (18-8 S/S FB)

4 ROW	-	K002309
6 ROW	-	K002219
8 ROW	-	K002217

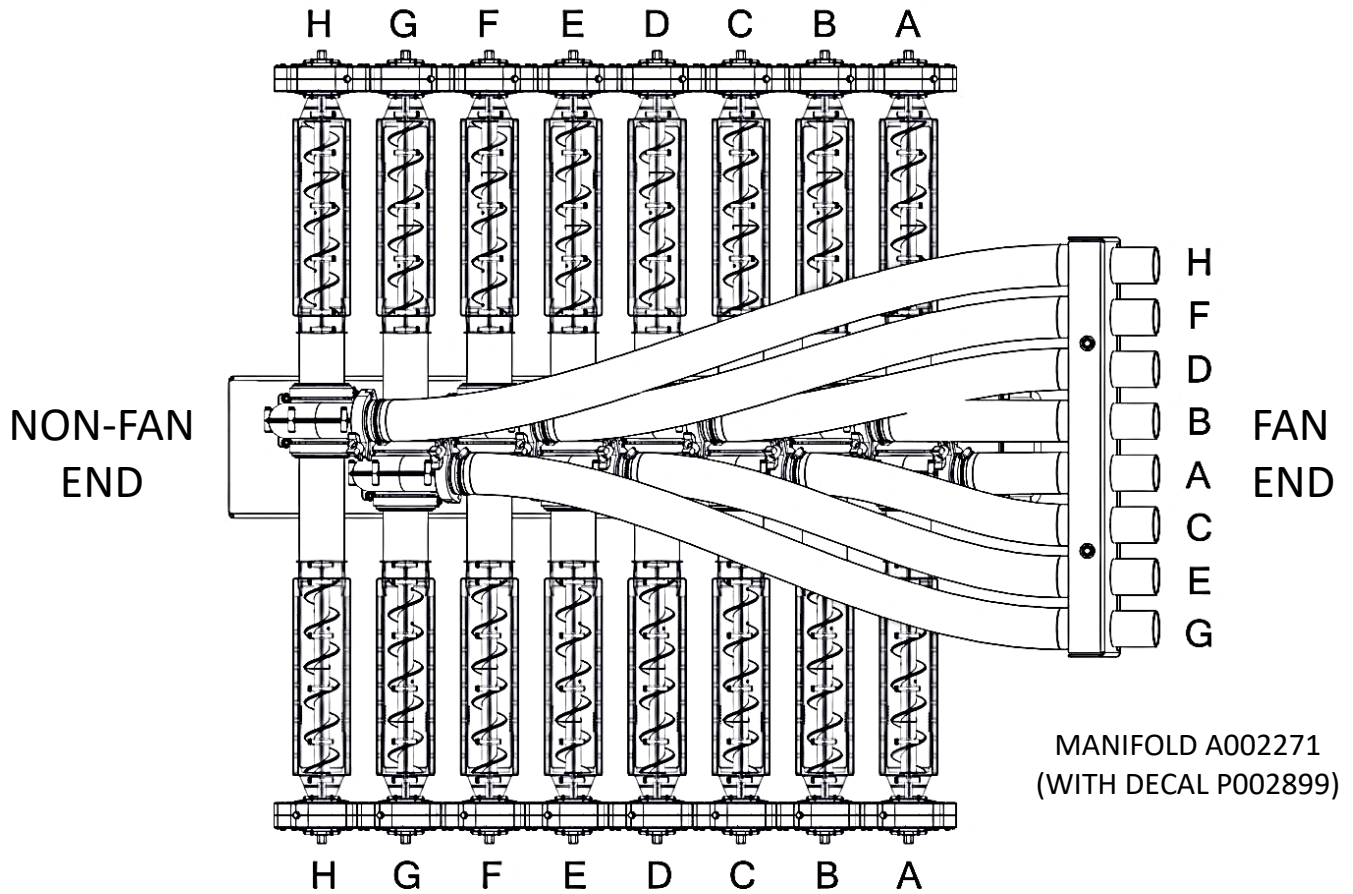
ROW LAYOUT AND HOSE LENGTHS - MANIFOLD OPPOSITE FAN END



MANIFOLD A002485  
(WITH DECAL P003026)

Row	H	G	F	E	D	C	B	A
Length	8.5"	13"	18"	23"	28"	33"	38.5"	43"
Part No.	M003280	M003281	M003279	M003282	M003283	M003285	M003284	M003286

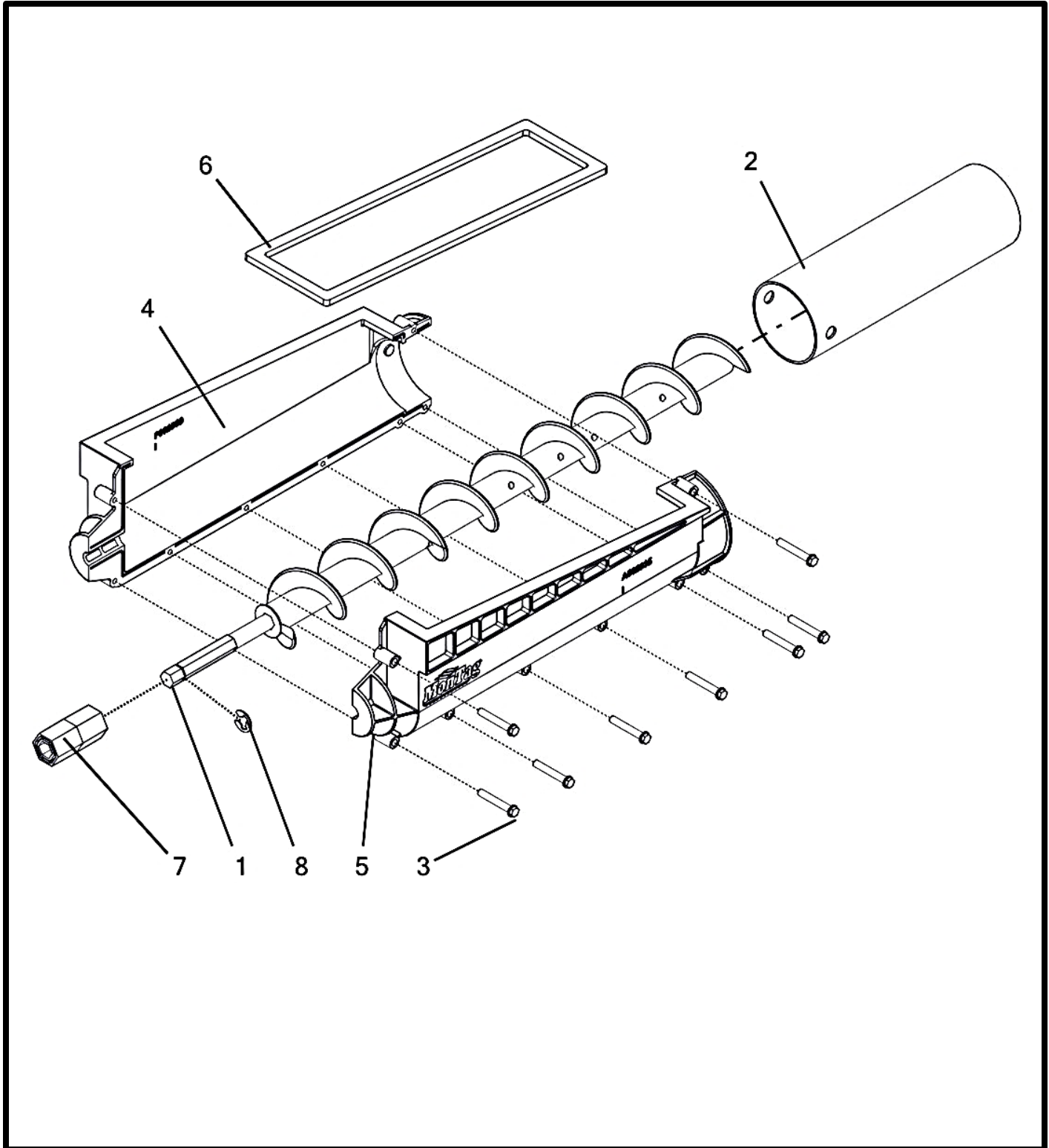
ROW LAYOUT AND HOSE LENGTHS - MANIFOLD SAME SIDE AS FAN



MANIFOLD A002271  
(WITH DECAL P002899)

Row	A	B	C	D	E	F	G	H
Length	8.5"	13"	18"	23"	28"	33"	38.5"	43"
Part No.	M003280	M003281	M003279	M003282	M003283	M003285	M003284	M003286

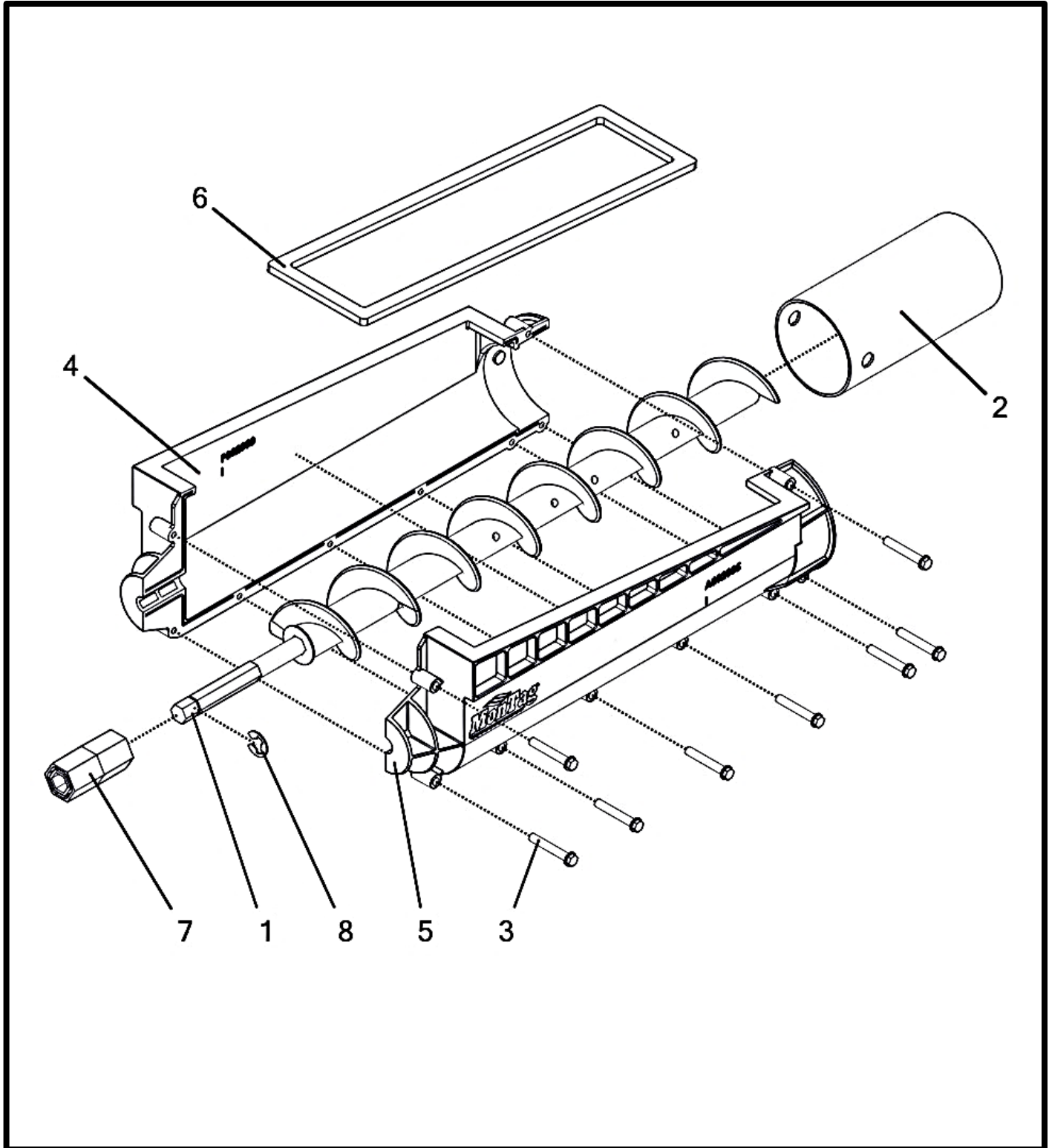
### Cartridge - Long



## Cartridge - Long

Item No.	Qty	Part Number	Description
		<b>A002000</b>	<b>Cartridge - Gen 2 2" x 20.5" Auger</b>
1	1	A002023	Auger - 2" x 18" Flighting
2	1	M002000	Tube - 8" S/S Cartridge
3	8	P000754	Screw - #10-16 x 1-2/5" Hex Washer Head Hi-Low S/S
4	1	P002000	Cartridge - Molded 2" Plastic Finned Auger (Left)
5	1	P002001	Cartridge - Molded 2" Plastic Finned Auger (Right)
6	1	P002006	Gasket - Gen 2 Cartridge
7	1	P002033	Coupler - Plastic 7/8in to 7/16in Shear Hex
8	1	P002215	Retainer - 3/8" E-Clip

### Cartridge - Short

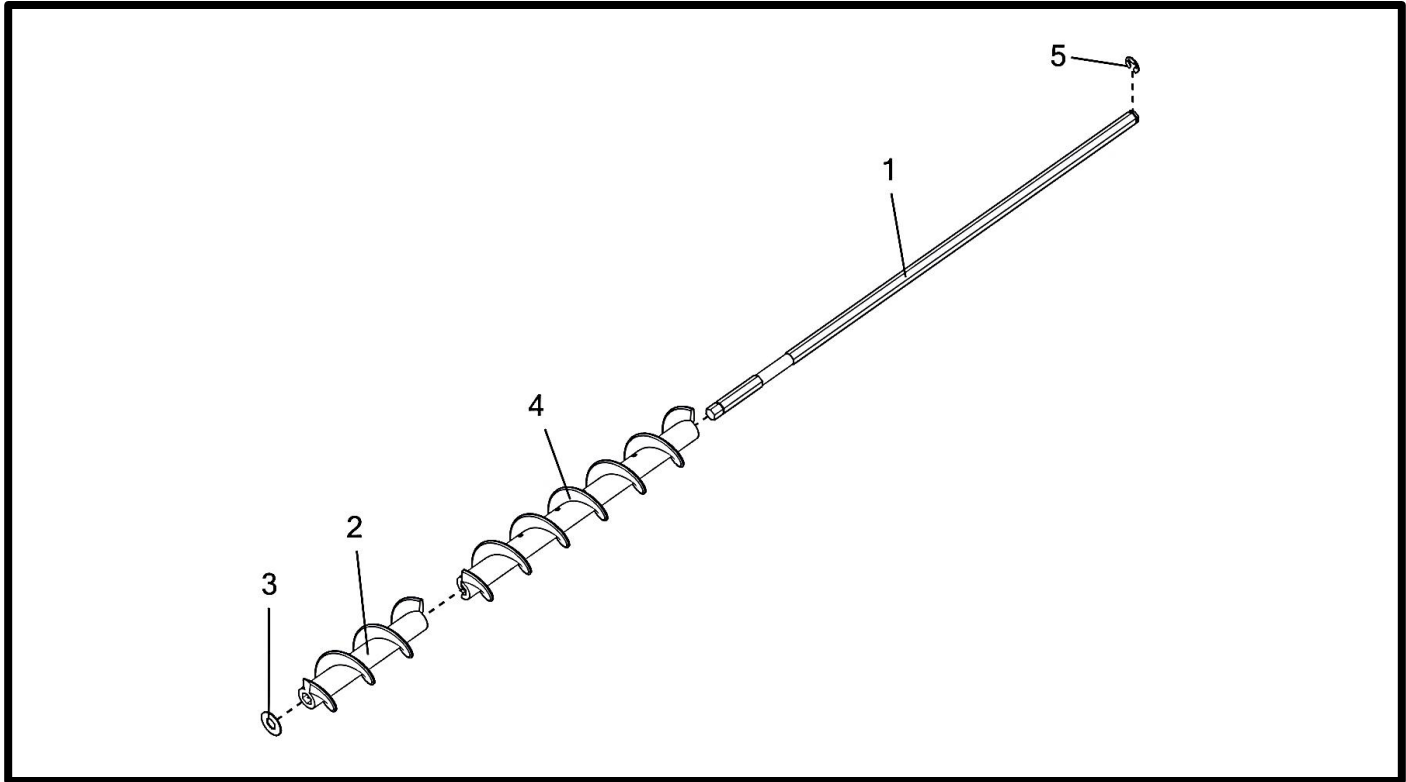




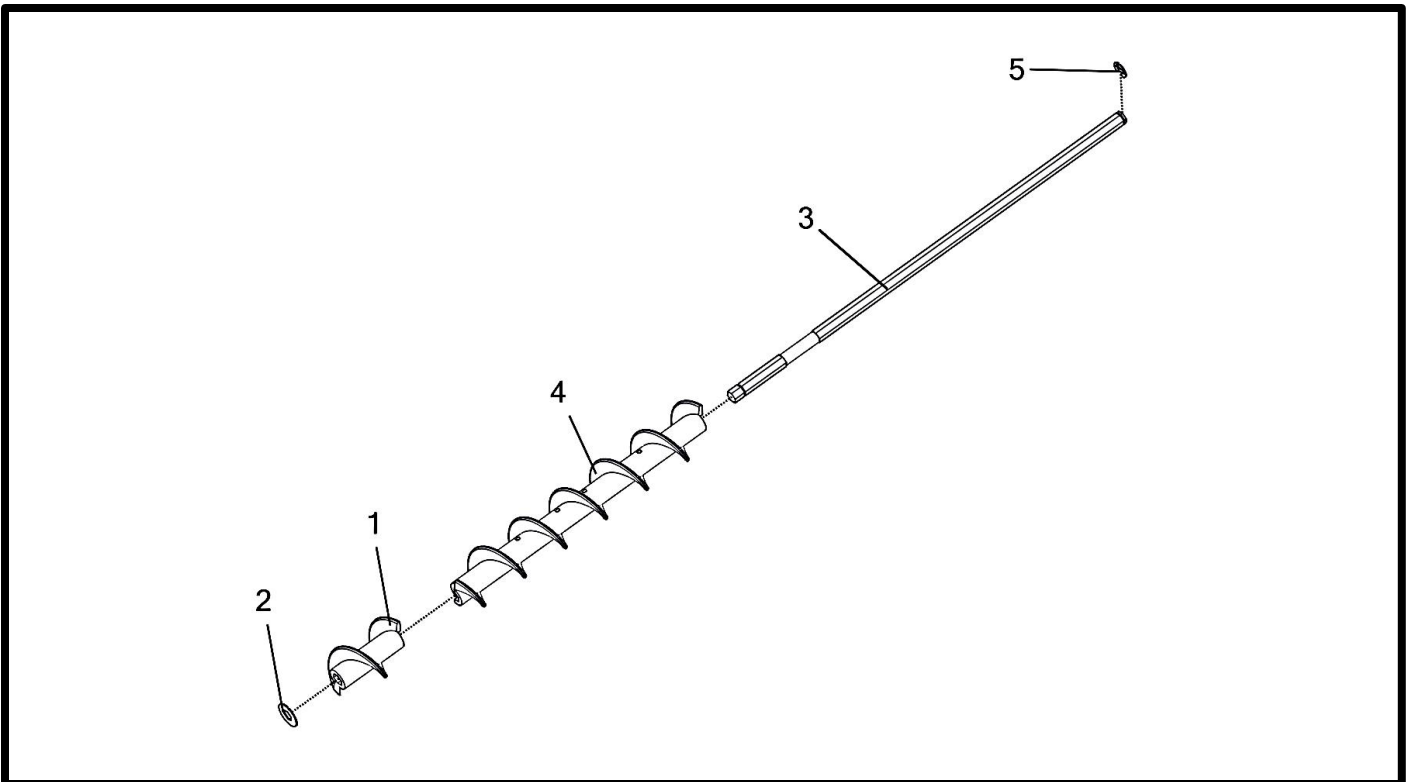
## Cartridge - Short

Item No.	Qty.	Part Number	Description
		<b>A002025</b>	<b>Cartridge - Gen 2 2" x 17.5" Auger</b>
1	1	A002026	Auger - 2" x 15" Flighting
2	1	M002190	Tube - 5" S/S Cartridge
3	8	P000754	Screw - #10-16 x 1-1/4" Hex Washer Head Hi-Low S/S
4	1	P002000	Side - Gen 2 2" Auger Cartridge (Left)
5	1	P002001	Side - Gen 2 2" Auger Cartridge (Right)
6	1	P002006	Gasket - Gen 2 Cartridge (.1875)
7	1	P002033	Coupler - 7/8" to 7/16" Shear Hex
8	1	P002215	Retainer - 3/8" E-Clip

### Auger - Long



### Auger - Short



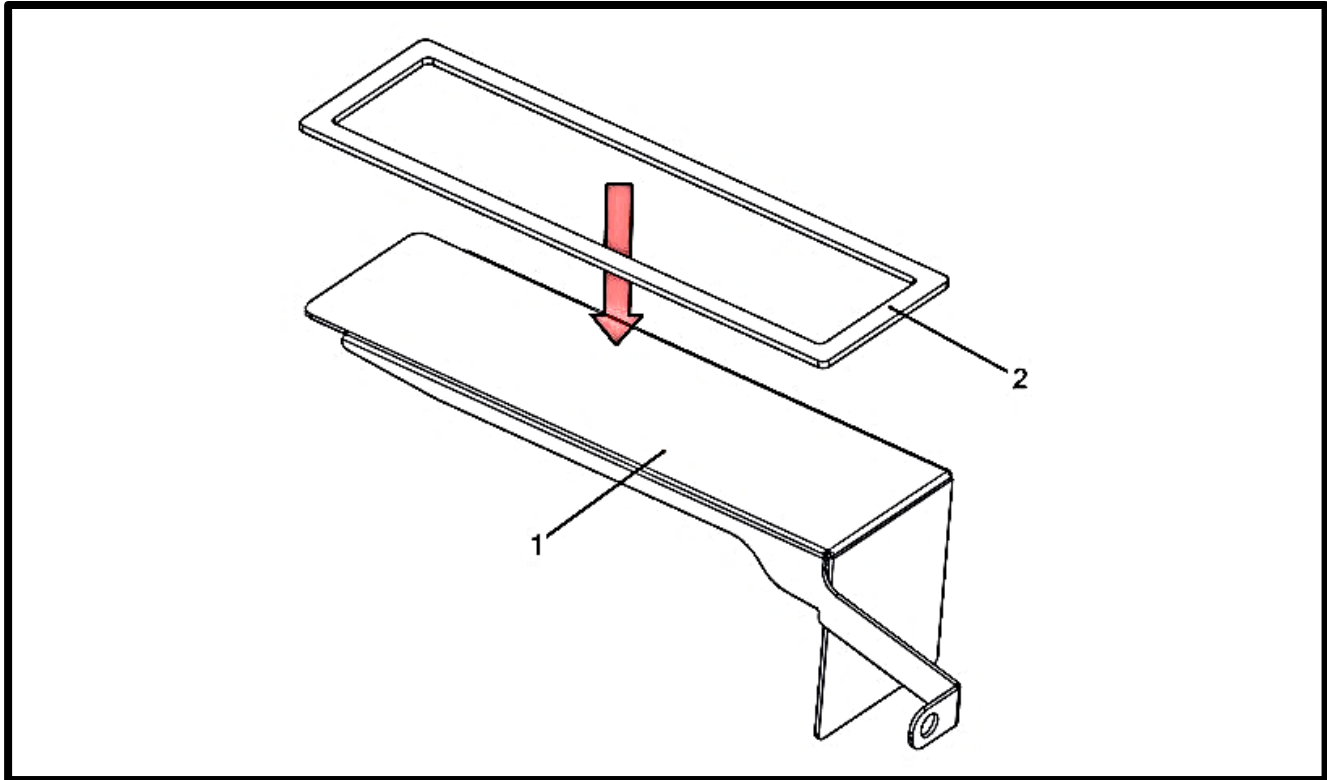
## Auger - Long

Item No.	Qty.	Part Number	Description
		<b>A002023</b>	<b>Auger - 2" x 18" Flighting</b>
1	1	M002035	Shaft - 7/16" Hex Auger Shaft (Long)
2	1	M002036	Flighting - 2" O.D. x 2" Pitch x 6" Auger
3	1	M002185	Washer - Cartridge 7/16" Hex
4	1	P000739	Flighting - 2" O.D. x 2" Pitch x 12" Auger
5	1	P002215	Retainer - 3/8" E-Clip

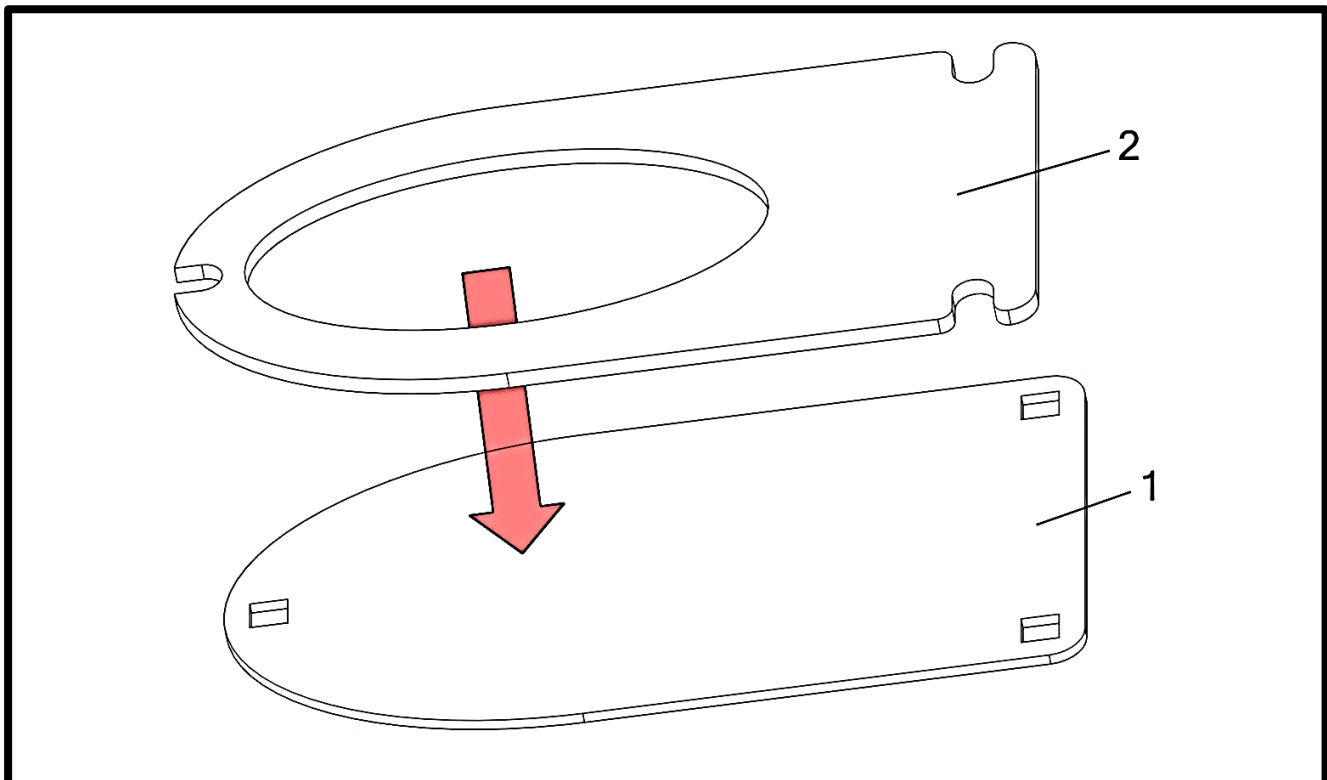
## Auger - Short

Item No.	Qty.	Part Number	Description
		<b>A002026</b>	<b>Auger - 2" x 15" Flighting</b>
1	1	M002037	Flighting - 2" OD x 2" Pitch x 3" Auger
2	1	M002185	Washer - Cartridge 7/16" Hex
3	1	M002191	Shaft - 7/16" Hex Auger Shaft (Short)
4	1	P000739	Flighting - 2" O.D. x 2" Pitch x 12" Auger
5	1	P002215	Retainer - 3/8" E-Clip

### Cartridge - Blank



### Air Chamber - Blank



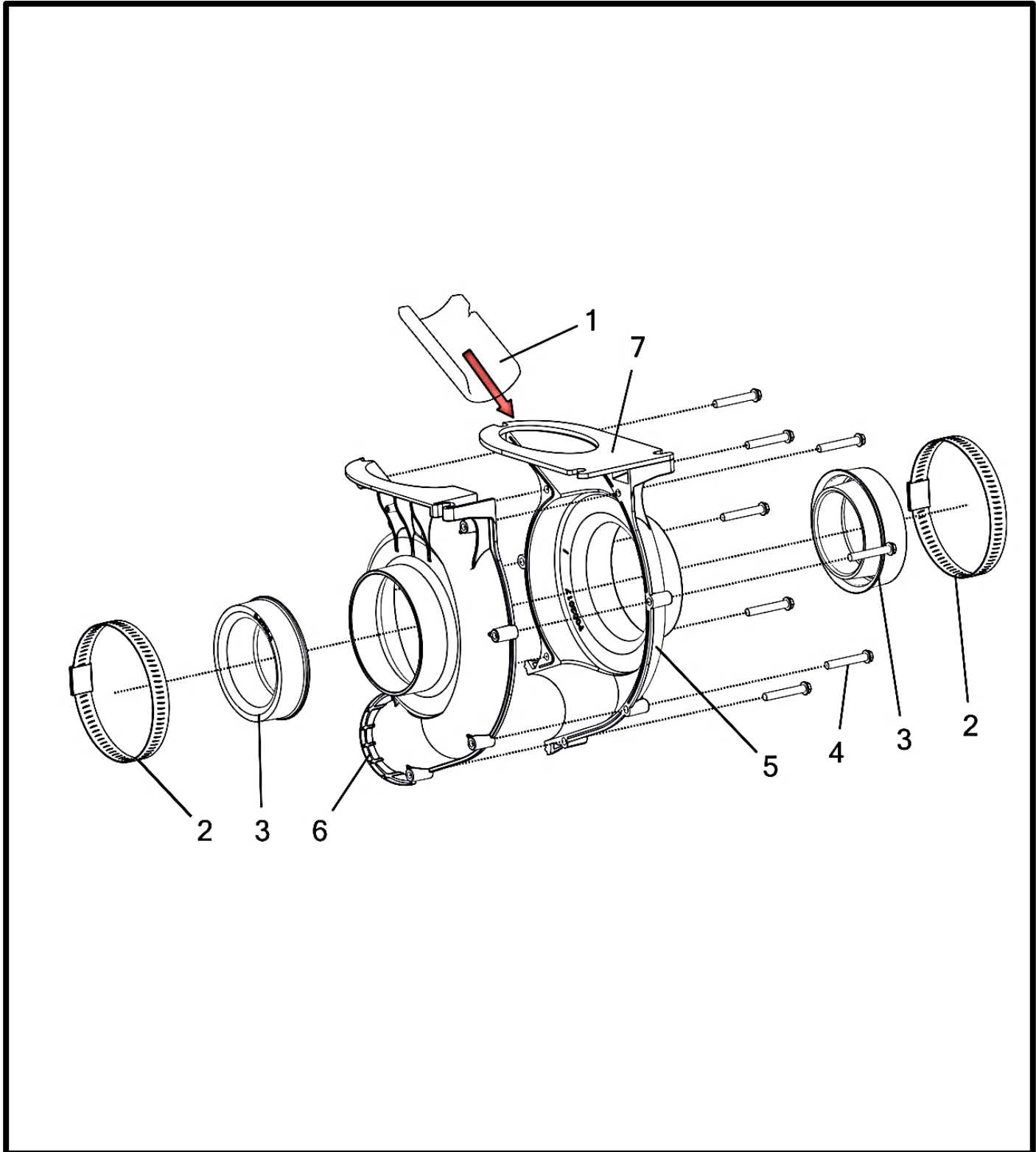
## Cartridge - Blank

Item No.	Qty.	Part Number	Description
		<b>A002055</b>	<b>Assembly - Cartridge Blank Gen 2</b>
1	1	M002192	Blank - Formed Cartridge
2	1	P002077	Gasket - Gen 2 Cartridge (.125)

## Air Chamber - Blank

Part No.	Qty.	Part Number	Description
		<b>A002187</b>	<b>Assembly - Air Chamber Blank Gen 2</b>
1	1	M002244	Plate - Air Chamber Cover
2	1	P002047	Gasket - Air Chamber Mounting

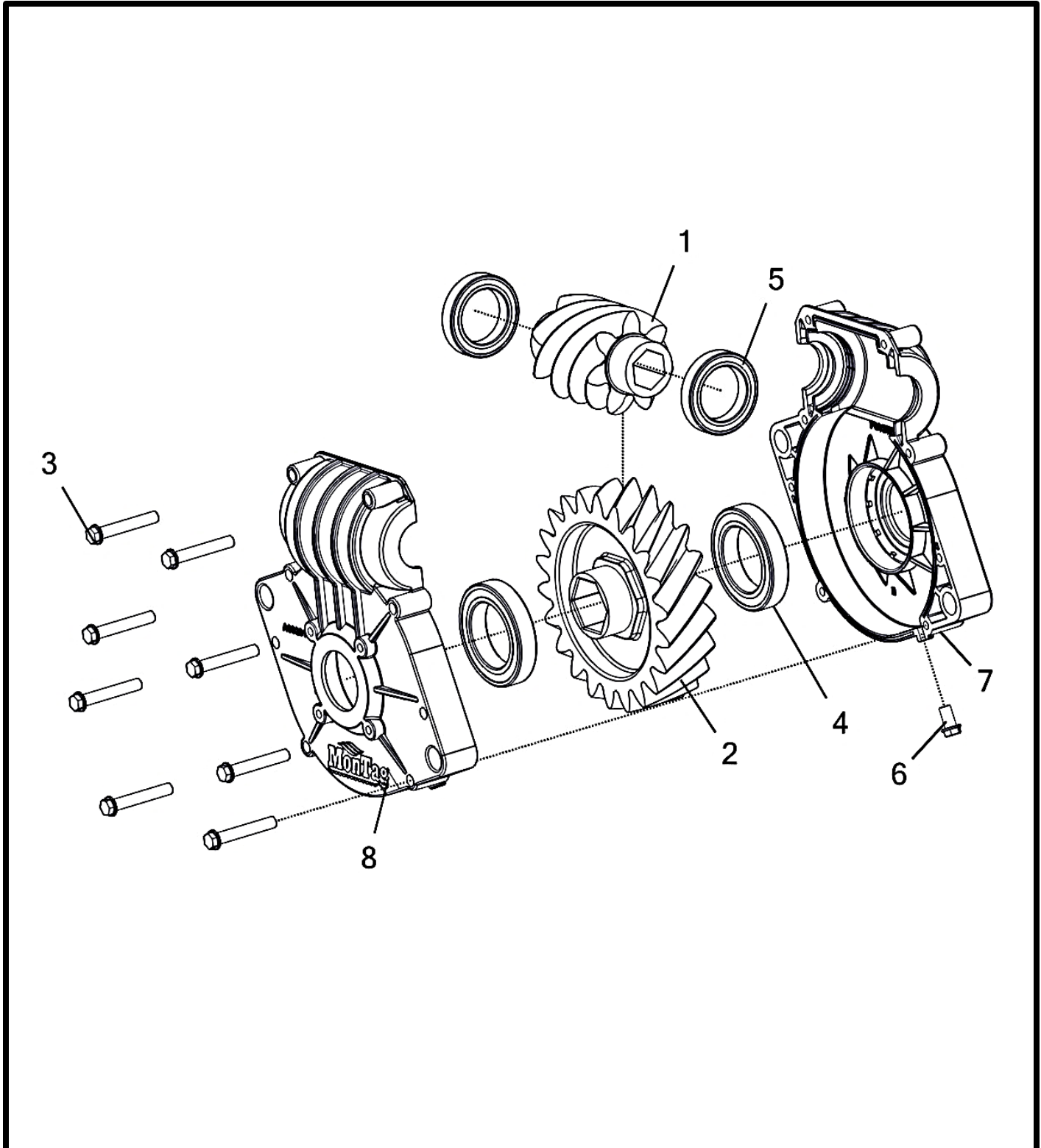
## Air Chamber Assembly



## Air Chamber Assembly

Item No.	Qty.	Part Number	Description
		<b>A002014</b>	<b>Air Chamber - Gen 2 Bolt-On</b>
1	1	M002314	Orifice - Air Chamber Insert (3-Bolt Air Chamber)
2	2	P000239	Hose Clamp - 2-1/2"-3" S/S
3	2	P000738	Gasket - Air Chamber to Cartridge
4	8	P000754	Screw - #10-16 x 1-1/4" Hex Washer Head Hi-Low S/S
5	1	P002017	Side - 2" Carriage 3 Bolt Mount Plastic Air Chamber Right
6	1	P002040	Side - 2" Carriage 3 Bolt Mount Plastic Air Chamber Left
7	1	P002047	Gasket - Air Chamber Mounting

## Gear Box Assembly





## Gear Box Assembly

Item No.	Qty	Part Number	Description
		<b>A002017</b>	<b>Gear Box - Plastic 5/8 Hex - 7/8 Hex (22/7 Ratio)</b>
1	1	P000733	Gear - Plastic 7 Tooth 5/8" Hex Driver
2	1	P000734	Gear - Plastic 22 Tooth 7/8" Hex Driven
3	8	P000754	Screw - #10-16 x 1-2/5" Hex Washer Head Hi-Low S/S
4	2	P000760	Bearing - 30 x 47 x 9 mm Radial Ball (S/S Double Contact Seal)
5	2	P000761	Bearing - 25 x 37 x 7 mm Radial Ball (S/S - Double Contact Seals)
6	1	P000879	Screw - #10-16 x 3/8" Hex Washer Head Hi-Low S/S
7	1	P002032	Housing - Plastic Gear Box 22:7 (Right) w/ Drain
8	1	P002039	Housing - Plastic Gear Box 22:7 (Left) w/ Drain

THIS PAGE INTENTIONALLY LEFT BLANK

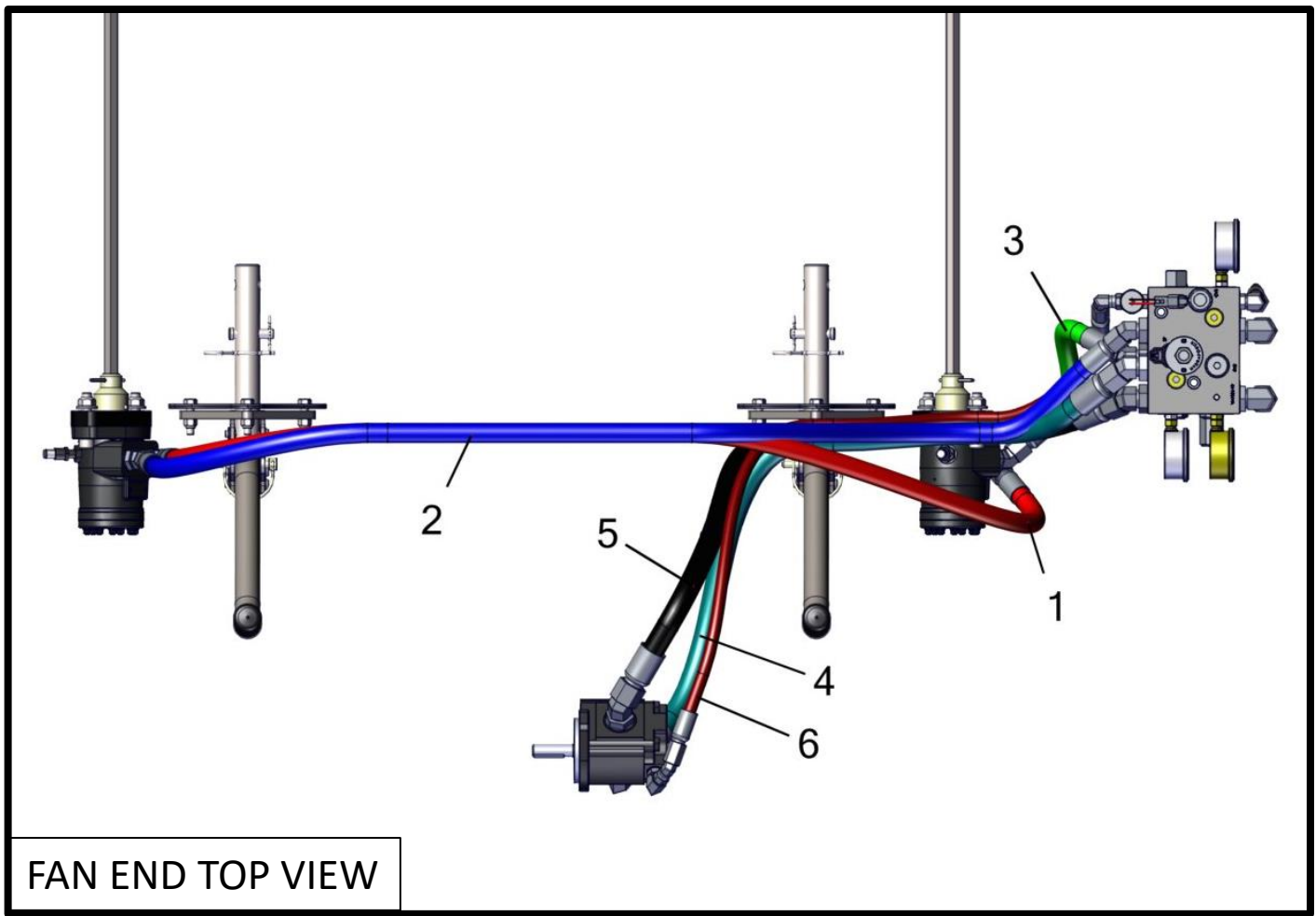
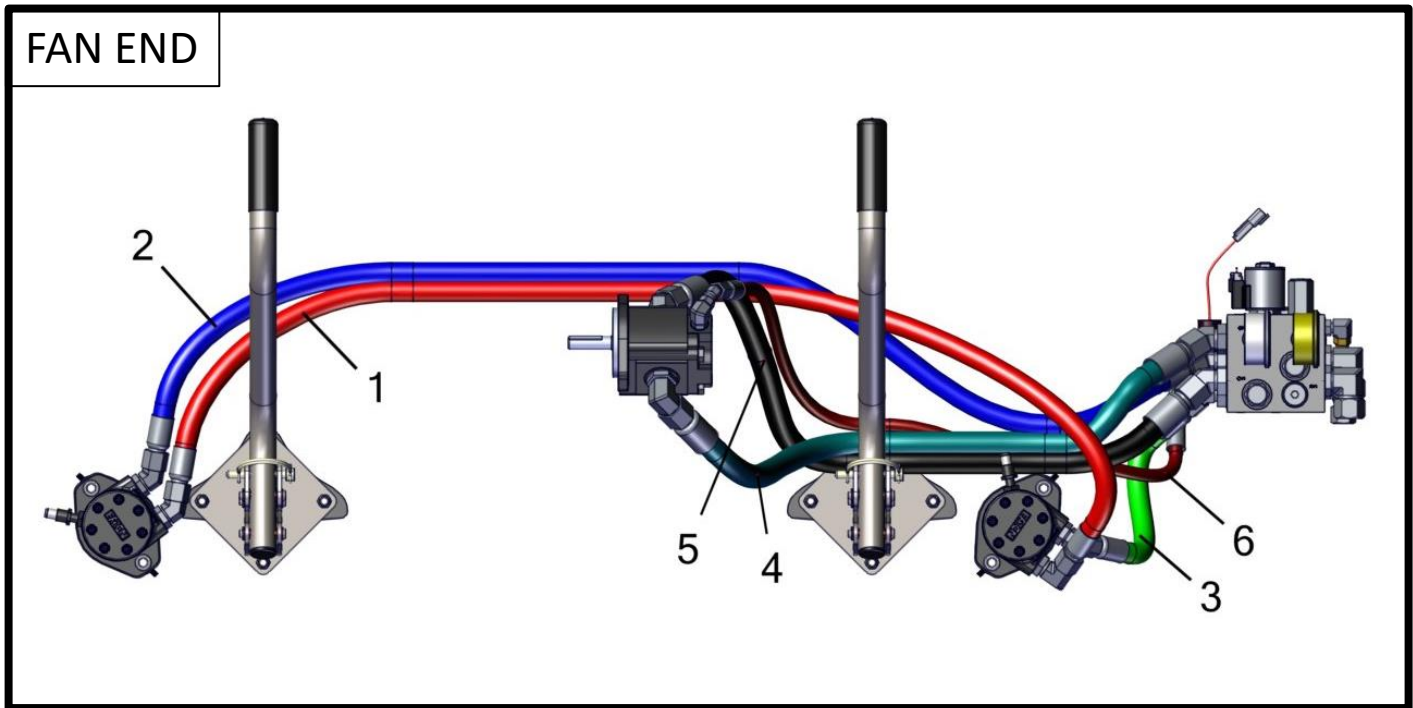
# HYDRAULICS

## COMPLETE KITS

KIT NO.	DESCRIPTION
K002261	Kit - 1 Product 1 Section Gen 2 2208 Complete
K002269	Kit - 2 Product 1 Section Gen 2 2208 Complete
K002277	Kit - 2 Product 2 Section Gen II 2208 Complete
K002278	Kit - 2 Product 3 Section Gen II 2208 Complete
K002268	Kit - 2 Product 4 Section Gen 2 2208 Complete
K002280	Kit - Hydraulic Slide Gate Complete 2208 *

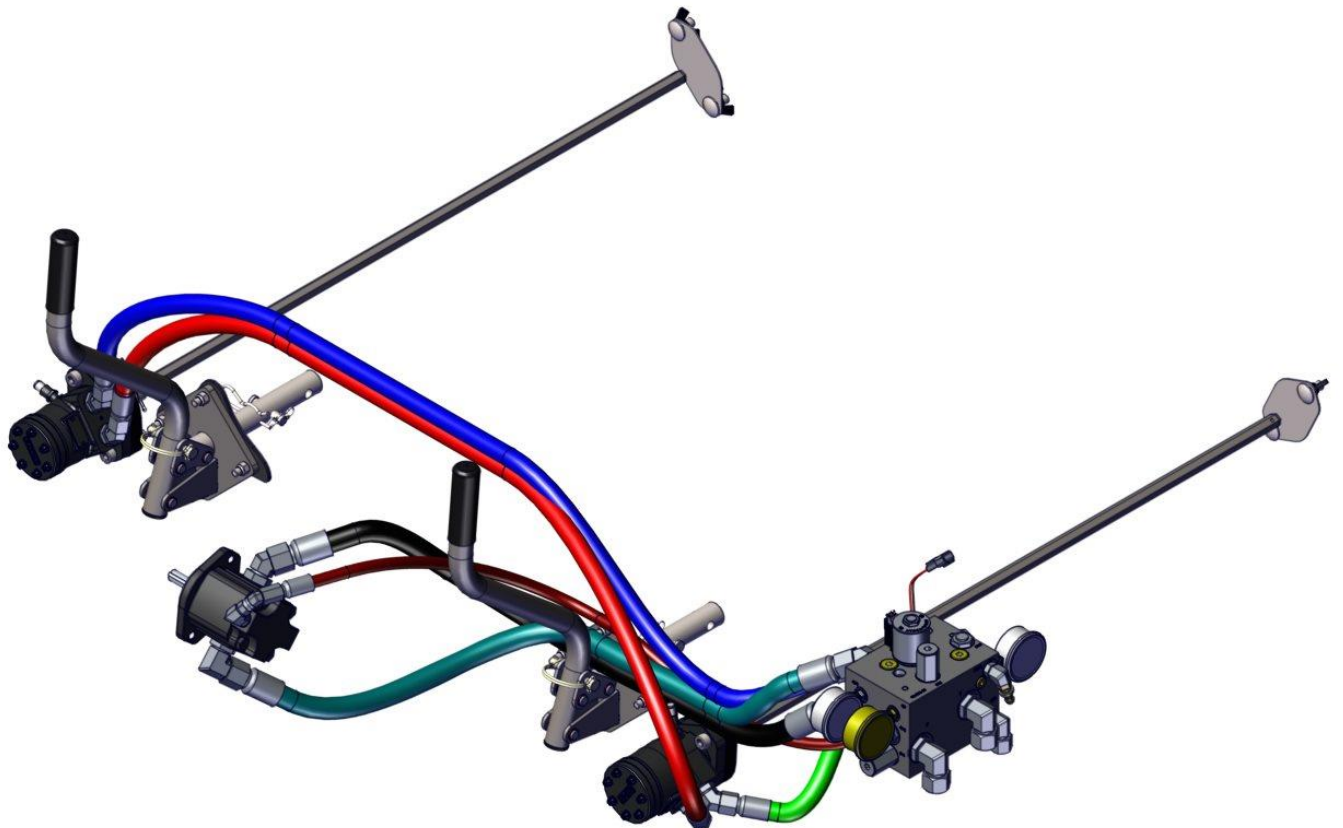
(\*) Add-on kit only available for dual-product machines

### Hydraulics – 1 Product 1 Section Hoses (Manual Slide Gate)

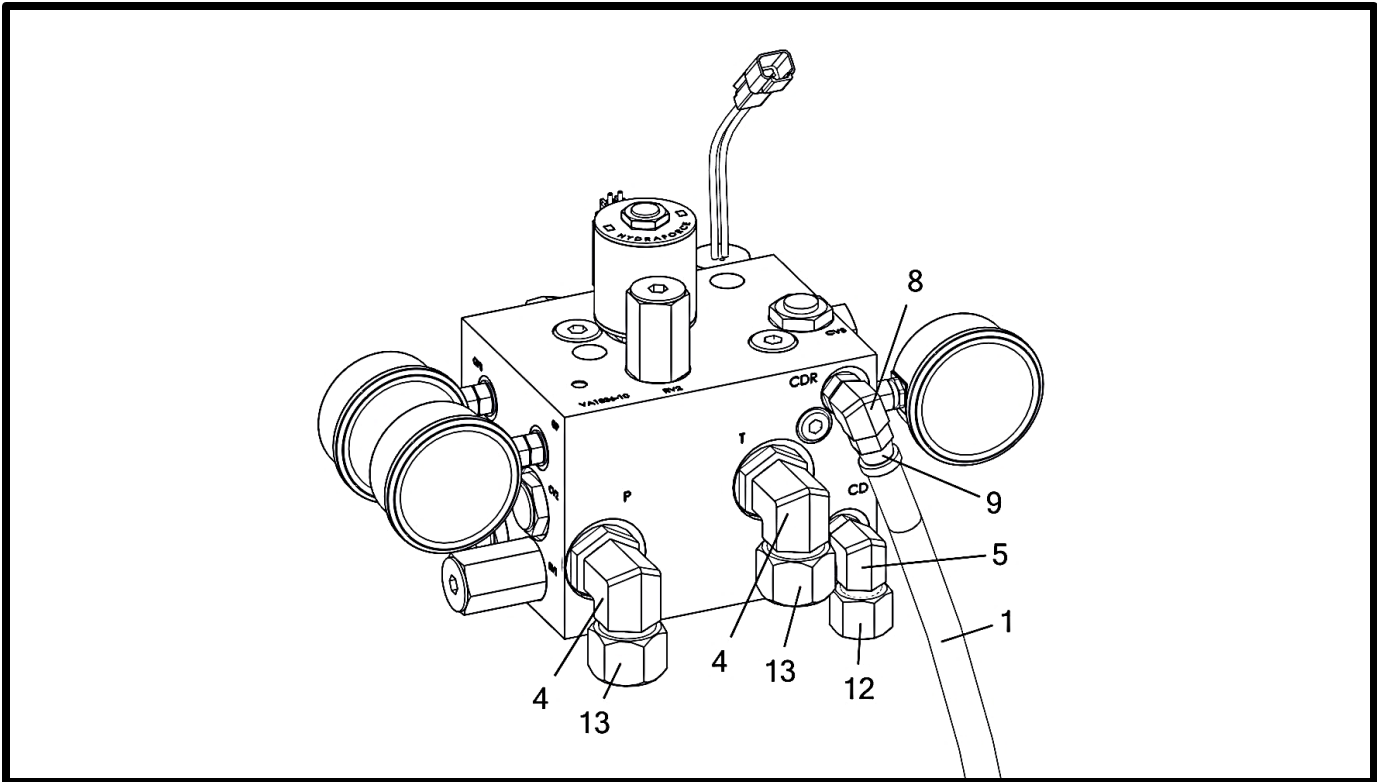


## Hydraulics – 1 Product 1 Section Hoses (Manual Slide Gate)

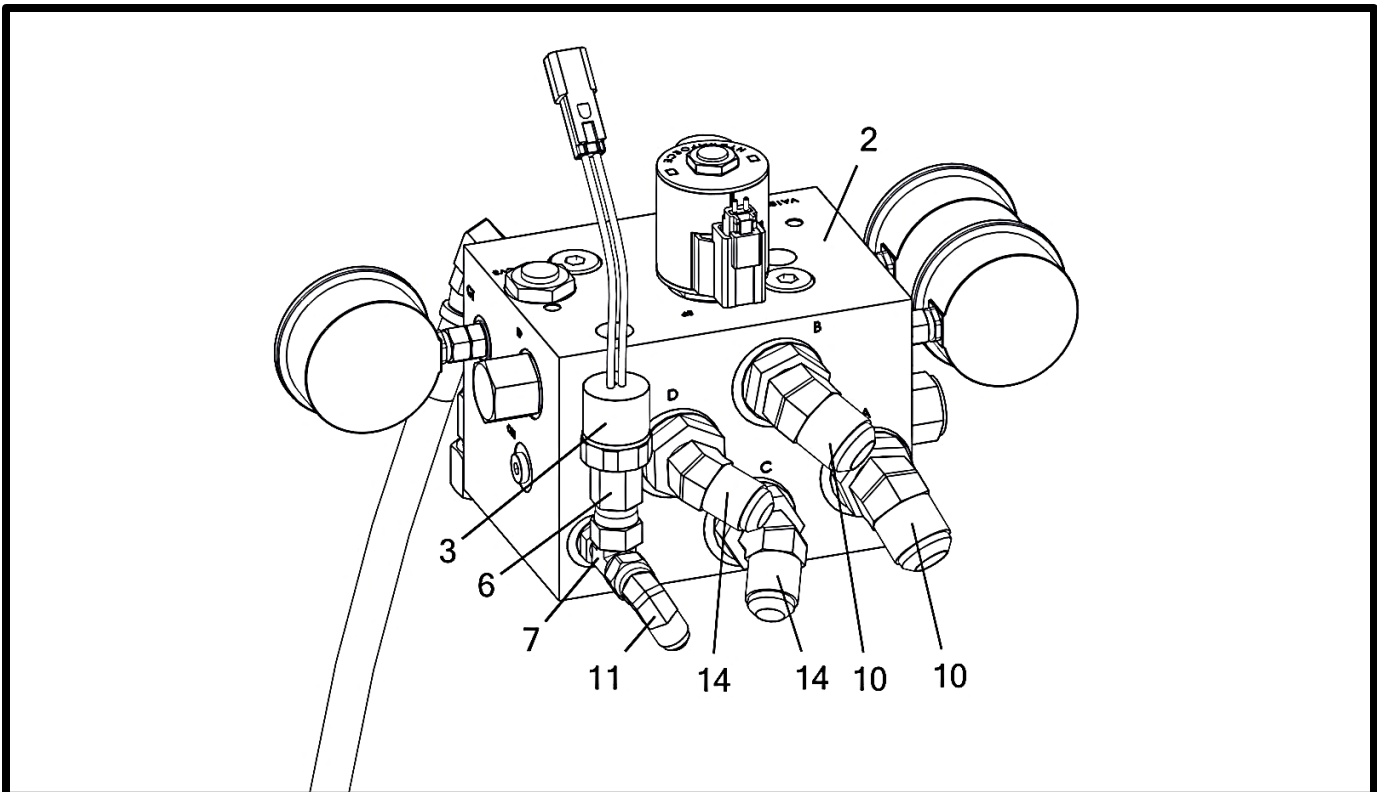
Item No.	Qty	Part Number	Description
1	1	P000912	Hose - Hyd - 1/2" x 75" (#10 F JIC x #10 F JIC)
2	1	P000916 (D)	Hose - Hyd - 1/2" x 58" (#10 F JIC x #10 F JIC)
3	1	P002419 (C)	Hose - Hyd - 1/2" X 25" (#10 F JIC X #10 F JIC)
4	1	P002936 (B)	Hose - Hyd - 3/4" x 43" (#12 F JIC x #12 F JIC)
5	1	P002936 (A)	Hose - Hyd - 3/4" x 43" (#12 F JIC x #12 F JIC)
6	1	P002938 (CD)	Hose - Hyd - 3/8" x 42" (#6 F JIC x #6 F JIC)



### Hydraulic Block - 1 Product Mechanical Slide Gate - Front View



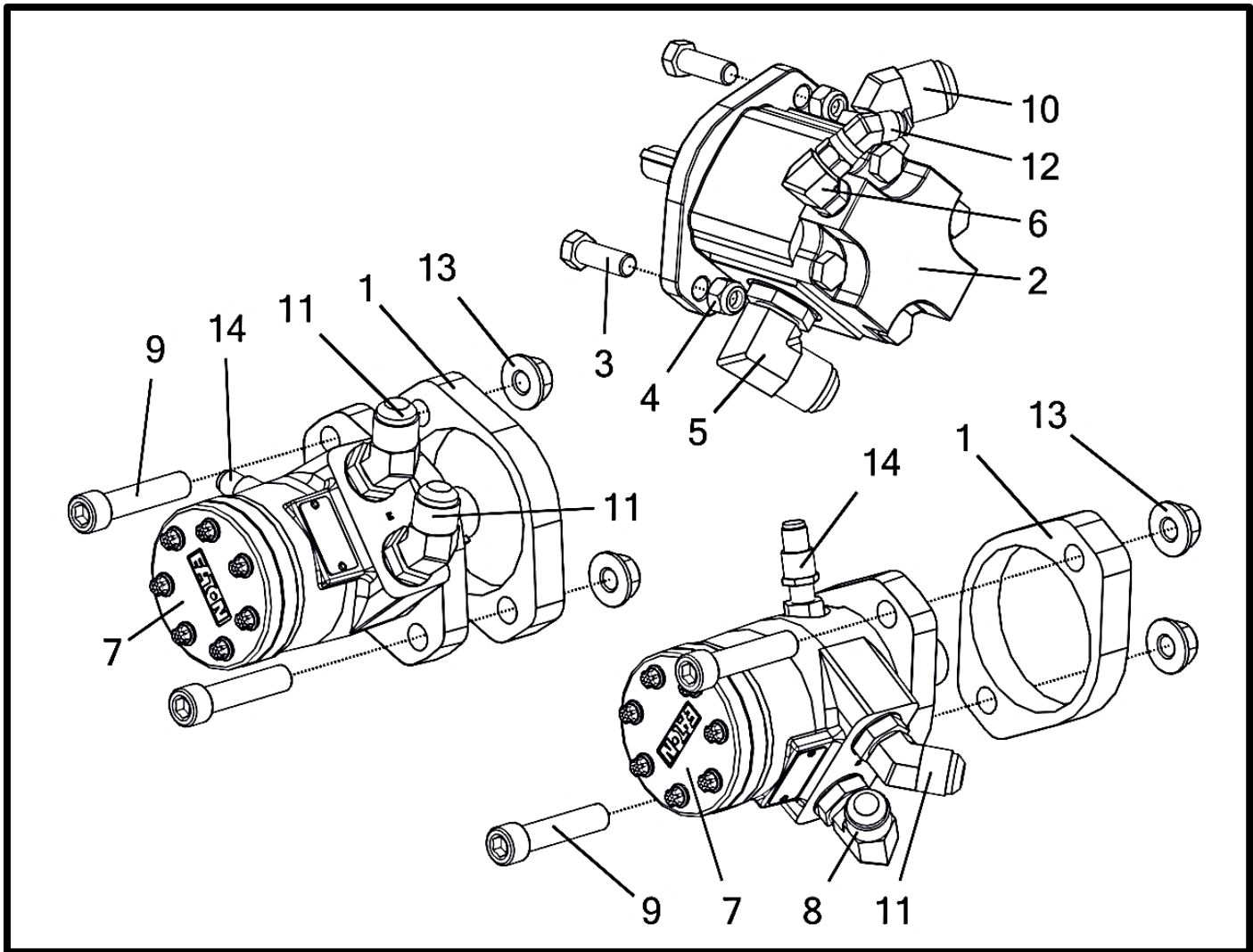
### Hydraulic Block - 1 Product Mechanical Slide Gate - Rear View



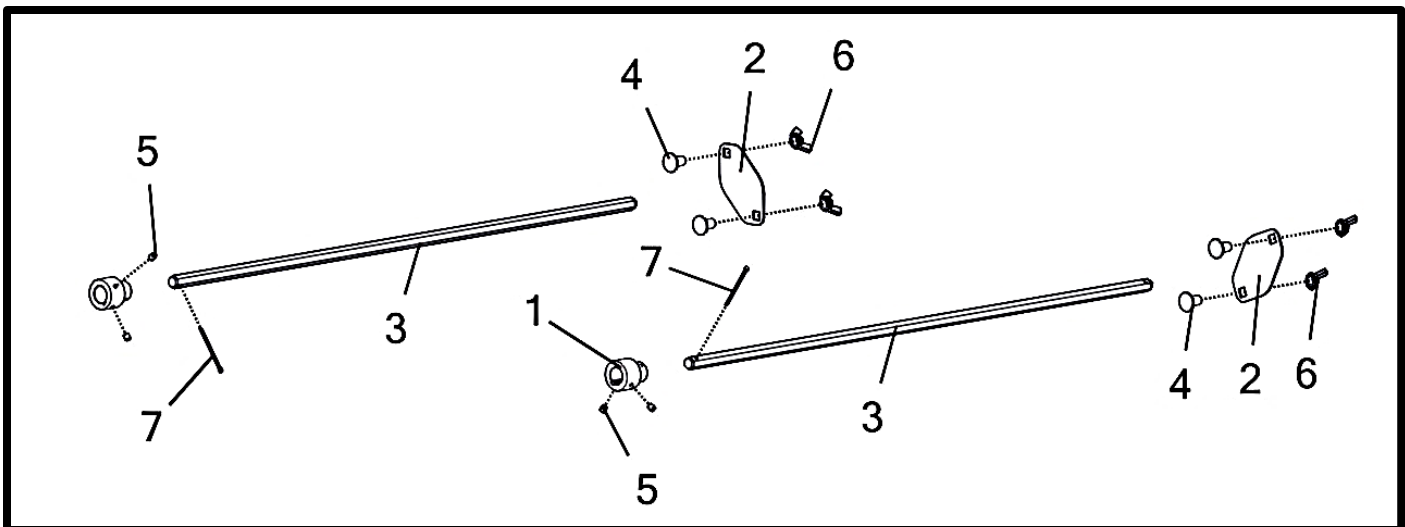
## Hydraulic Block - 1 Product Mechanical Slide Gate

Item No.	Qty	Part Number	Description
1	1	M001042	Hose - Manifold Case Drain Bypass
2	1	P000352	Manifold - Hydraulic Control (REV B)
3	1	P000378	Switch - Hyd Pressure Sensor (15-35 PSI) (Case Drain)
4	2	P000385	Fitting - Hyd - #12 M JIC x #12 M O-Ring Elbow 90 (6801-12-12)
		P002585	O-Ring - #12 Buna (4000-12)
5	1	P000386	Fitting - Hyd - #6 M O-Ring x #8 M JIC Elbow 90 (6801-08-06)
		P002582	O-Ring - #6 Buna (4000-06)
6	1	P000388	Fitting - Hyd - #6 F JIC x #4 F Pipe Adapter Union (6506-04-06)
7	1	P000389	Fitting - Hyd - 1&3=#6 M JIC, 2=#6 M O-Ring Tee (6804-06-06-06)
		P002582	O-Ring - #6 Buna (4000-06)
8	1	P000390	Fitting - Hyd - #6 M O-Ring x #6 M JIC Elbow 90 (6801-06-06)
		P002582	O-Ring - #6 Buna (4000-06)
9	1	P000391	Fitting - #6 F JIC Adapter to 3/8" Push-Lock Barb (PB-JCFX-0606)
10	2	P002610	Fitting - Hyd - #12 M O-Ring x #12 M JIC Elbow 45
		P002585	O-Ring - #12 Buna (4000-12)
11	1	P002669	Fitting - Hyd - #6 M JIC x #6 F JIC Swivel Elbow 90
12	1	P002703	Fitting - Hyd - #8 F JIC Cap
13	2	P002704	Fitting - Hyd - #12 F JIC Cap
14	2	P002916	Fitting - Hyd - #12 M O-Ring x #10 M JIC Elbow 45
		P002585	O-Ring - #12 Buna (4000-12)

## 1 Product 1 Section Drive And Fan Motors



## 1 Section Drive Components





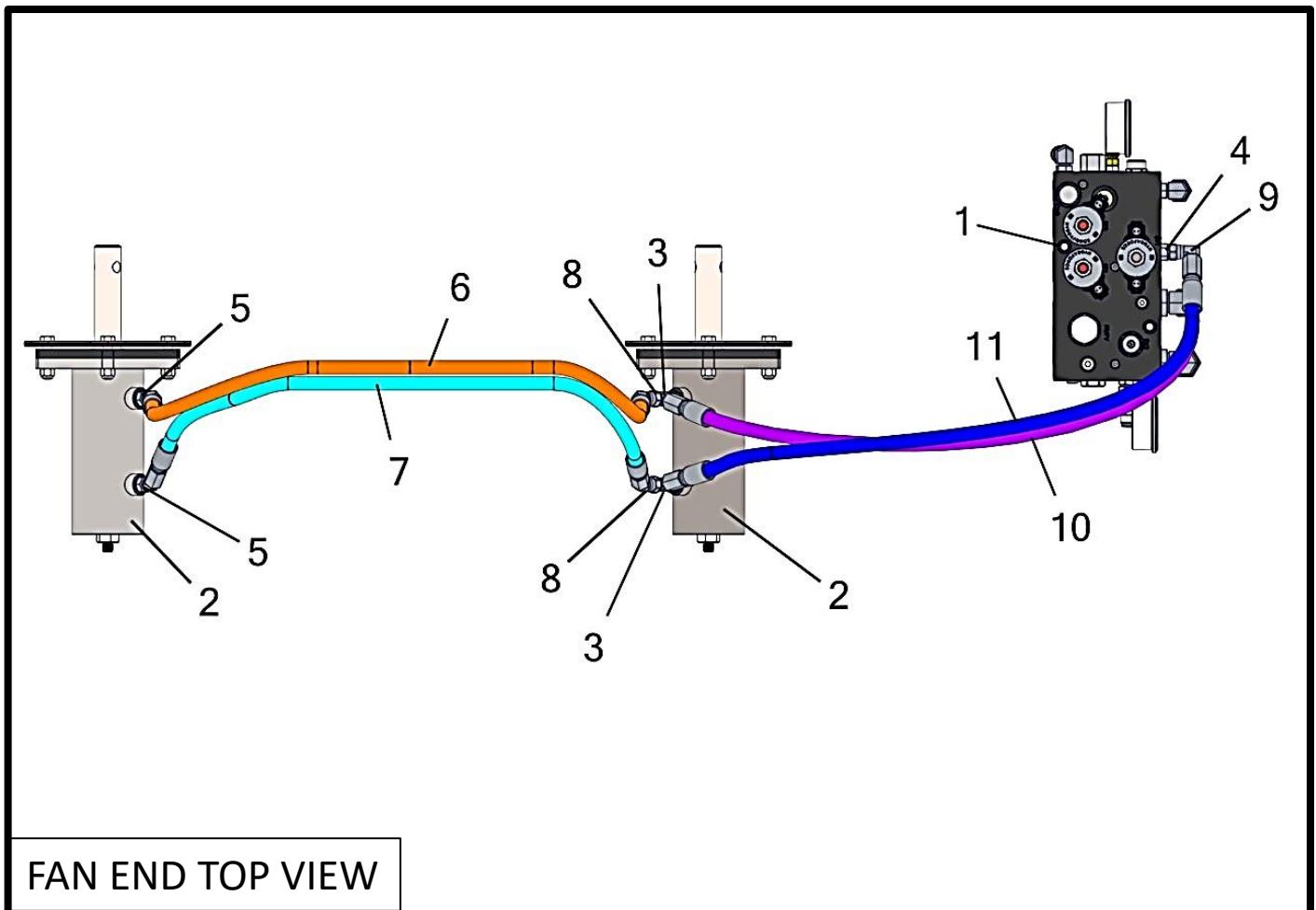
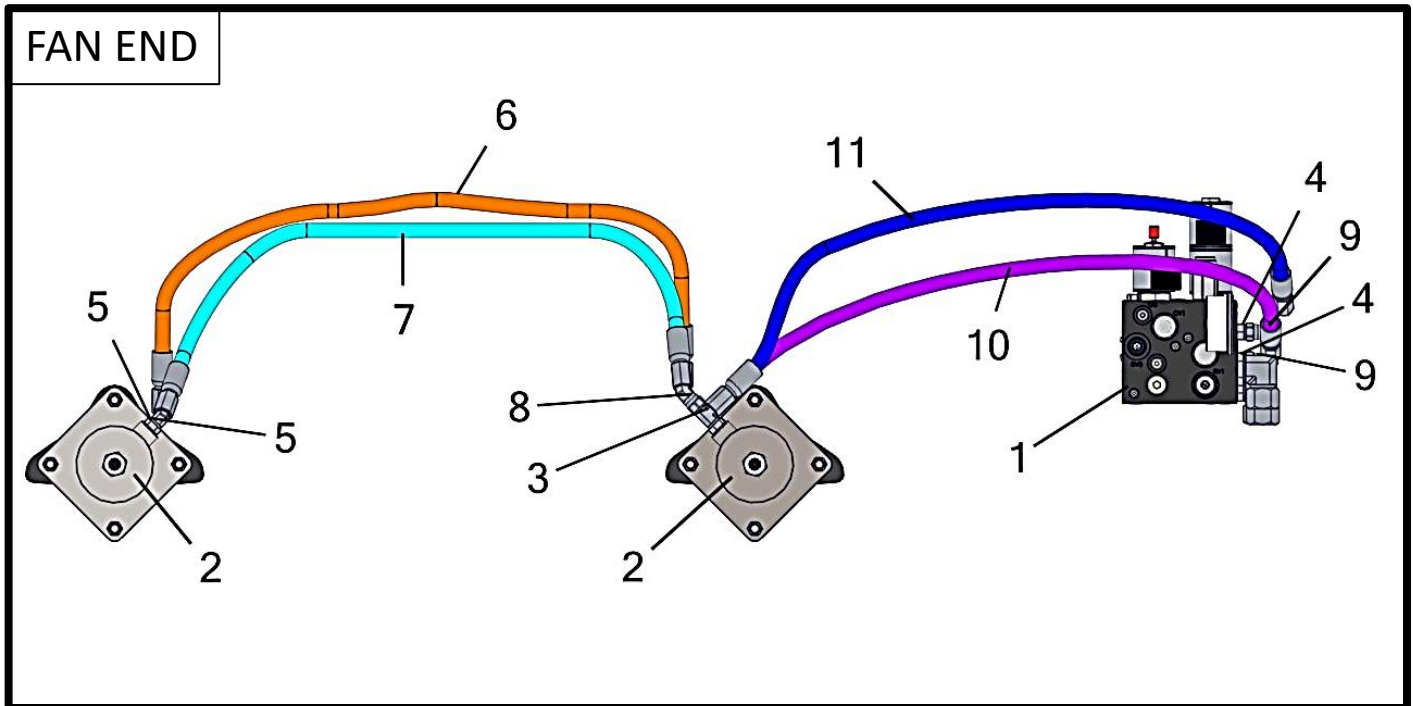
## 1 Product 1 Section Drive And Fan Motors

Item No.	Qty	Part Number	Description
1	2	M002604__	Plate - Motor Spacer (3/4")
2	1	P000306	Motor - Parker 8 &12 Row Fan (313) 334-9219-313
3	2	P000416	Bolt - 3/8-16 x 1.25 x 1 Hex (F593 304 S/S FB)
4	2	P000105	Nut - 3/8-16 Hex Nylon Lock (F594 316 S/S FB)
5	1	P000385	Fitting - Hyd - #12 M JIC x #12 M O-Ring Elbow 90 (6801-12-12)
		P002585	O-Ring - #12 Buna (4000-12)
6	1	P000390	Fitting - Hyd - #6 M O-Ring x #6 M JIC Elbow 90 (6801-06-06)
		P002582	O-Ring - #6 Buna (4000-06)
7	2	P000828	Motor - Hyd. 4.5 CU/IN Char-Lynn w/ Speed Sensor (101-3525-009)
8	1	P000925	Fitting - Hyd - #10 M O-ring x #10 M JIC Elbow 90 (6801-10-10-NWO)
		P002584	O-Ring - #10 Buna (4000-10)
9	4	P002235	Bolt - 1/2-13 x 2.25 x 1.25 Socket Head (F593 304 S/S FB)
10	1	P002610	Fitting - Hyd - #12 M O-Ring x #12 M JIC Elbow 45
		P002585	O-Ring - #12 Buna (4000-12)
11	3	P002613	Fitting - Hyd - #10 M O-ring x #10 M JIC Elbow 45
		P002584	O-Ring - #10 Buna (4000-10)
12	1	P002668	Fitting - Hyd - #6 M JIC x #6 F JIC Swivel Elbow 45
13	4	P002226	Nut - 1/2-13 Flange Nylon Lock (18-8 S/S FB)
14	2	P000926	Sensor - Char-Lynn Motor Speed Sensor (60 Pulse)

## 1 Section Drive Components

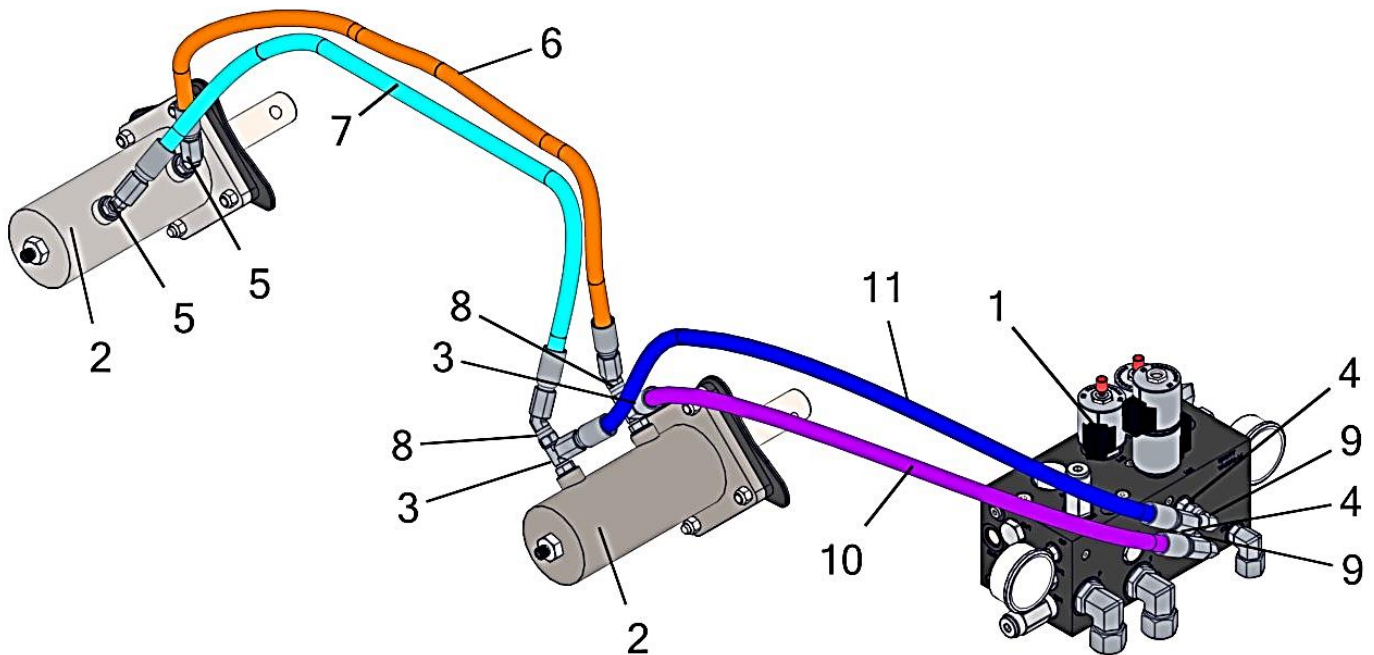
Item No.	Qty	Part Number	Description
1	2	M002152	Coupler - 1" Round w/ Keyway to 5/8" Hex Shaft
2	2	M002272	Plate - Gear Box Drive Shaft Cover Shield
3	2	M002441	Shaft - 5/8" Gen 2 Mini Long Drive"
4	4	P000638	Bolt - 1/2-13 x 1 x 1 Carriage (F593 304 S/S FB)
5	4	P000785	Set Screw - 5/16-18 x 5/16" UNC
6	4	P000911	Nut - 1/2-13 UNC Wing (Nylon)
7	2	P002013	Cotter Pin - 1/8" x 2.64" (S/S)

## Hydraulics – Hydraulic Slide Gate Cylinders

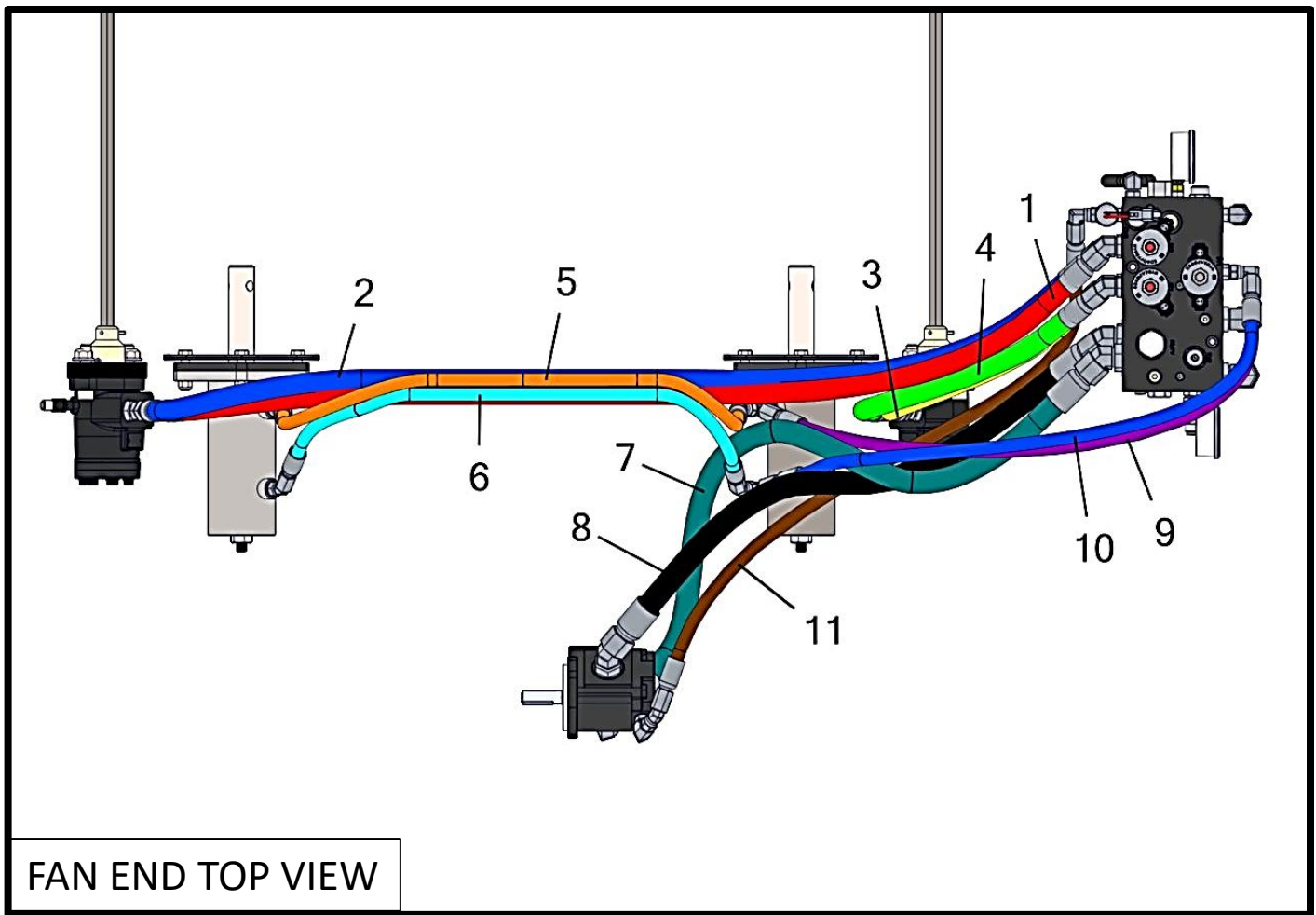
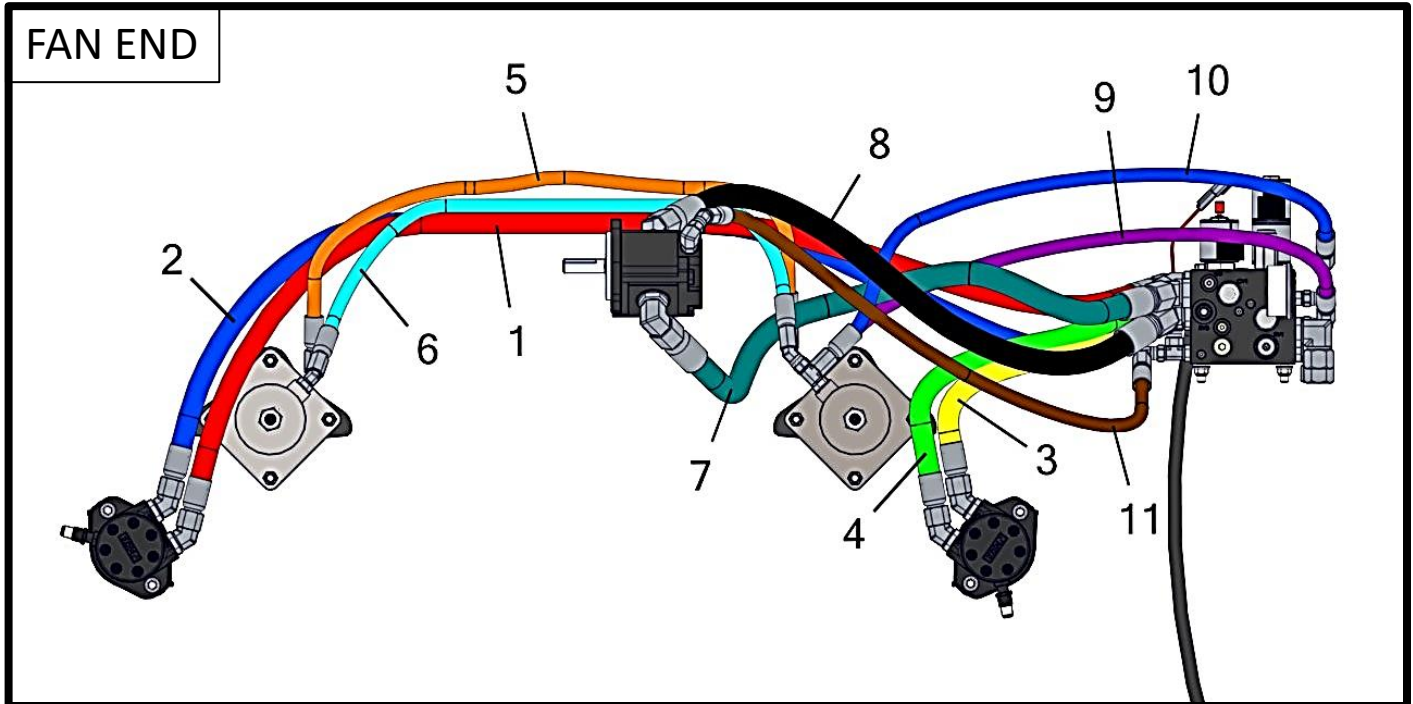


## Hydraulics – 2 Product 1 Section Hoses (Hydraulic Slide Gate)

Item No.	Qty	Part Number	Description
1	1	A002269	Manifold - Hydraulic Dual Product Control (w/Hardware)
2	2	A002506	Cylinder - Slidegate Sub-Assembly (Rear Sensor)
3	2	P000389	Fitting - Hyd - 1&3=#6 M JIC, 2=#6 M O-Ring Tee (6804-06-06-06)
4	2	P000928	Fitting - Hyd - #6 M O-Ring x #6 M JIC Straight
5	2	P002432	Fitting - Hyd - #6 M O-Ring x #6 M JIC Elbow 45
6	1	P002670	Hose - Hyd - 1/4" x 20" (#4 F JIC x #4 F JIC)
7	1	P002670	Hose - Hyd - 1/4" x 20" (#4 F JIC x #4 F JIC)
8	2	P002668	Fitting - Hyd - #6 M JIC x #6 F JIC Swivel Elbow 45
9	2	P002669	Fitting - Hyd - #6 M JIC x #6 F JIC Swivel Elbow 90
10	1	P002937 (E)	Hose - Hyd - 3/8" x 36" (#6 F JIC x #6 F JIC)
11	1	P002937 (F)	Hose - Hyd - 3/8" x 36" (#6 F JIC x #6 F JIC)

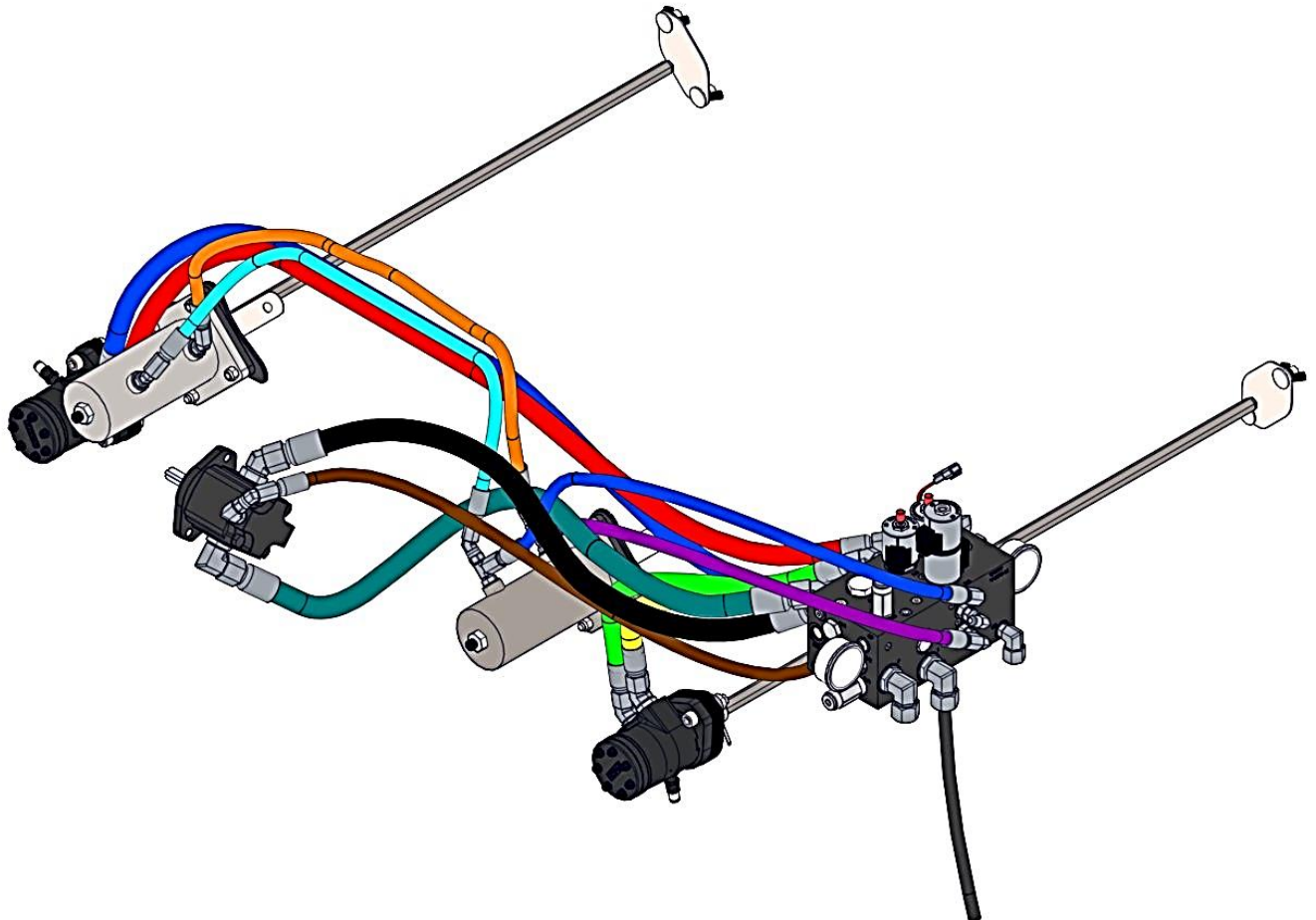


### Hydraulics – 2 Product 1 Section Hoses (Hydraulic Slide Gate)

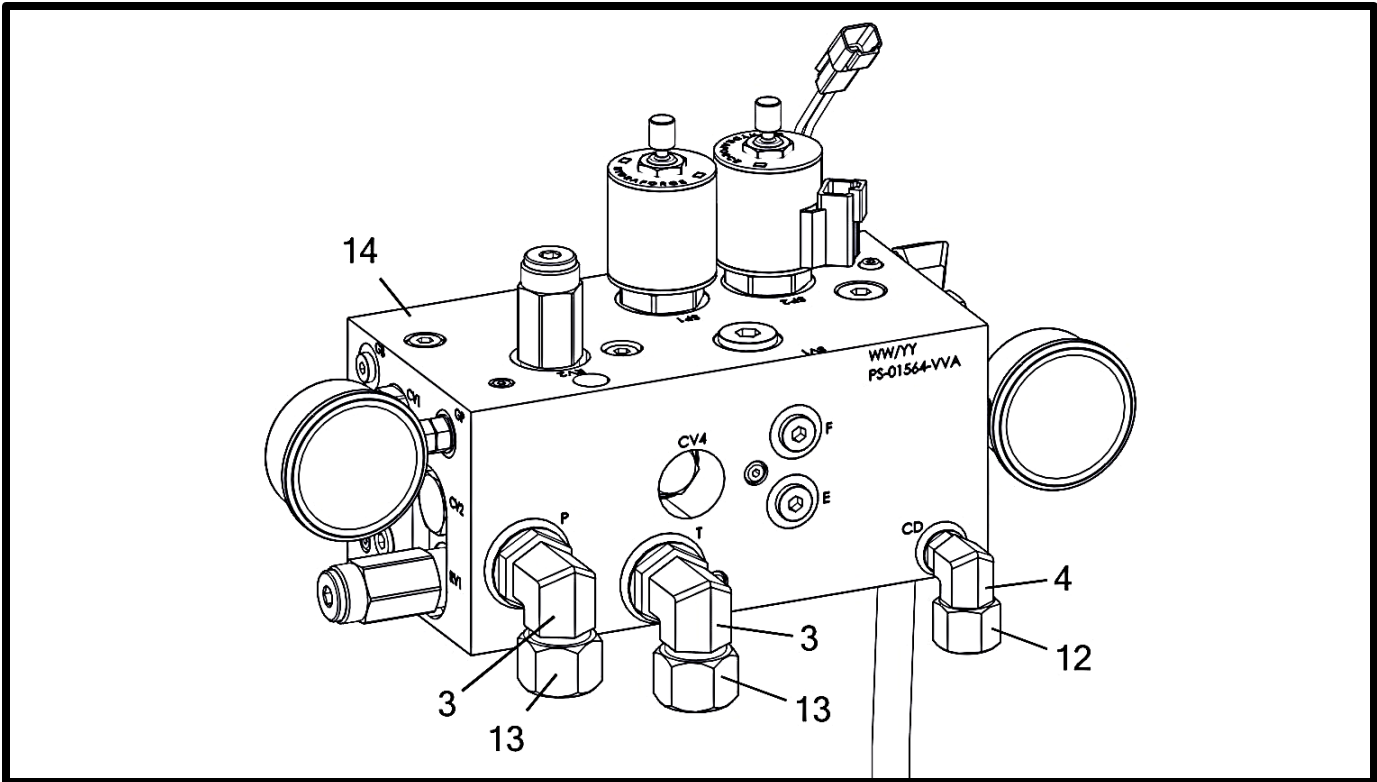


## Hydraulics – 2 Product 1 Section Hoses (Hydraulic Slide Gate)

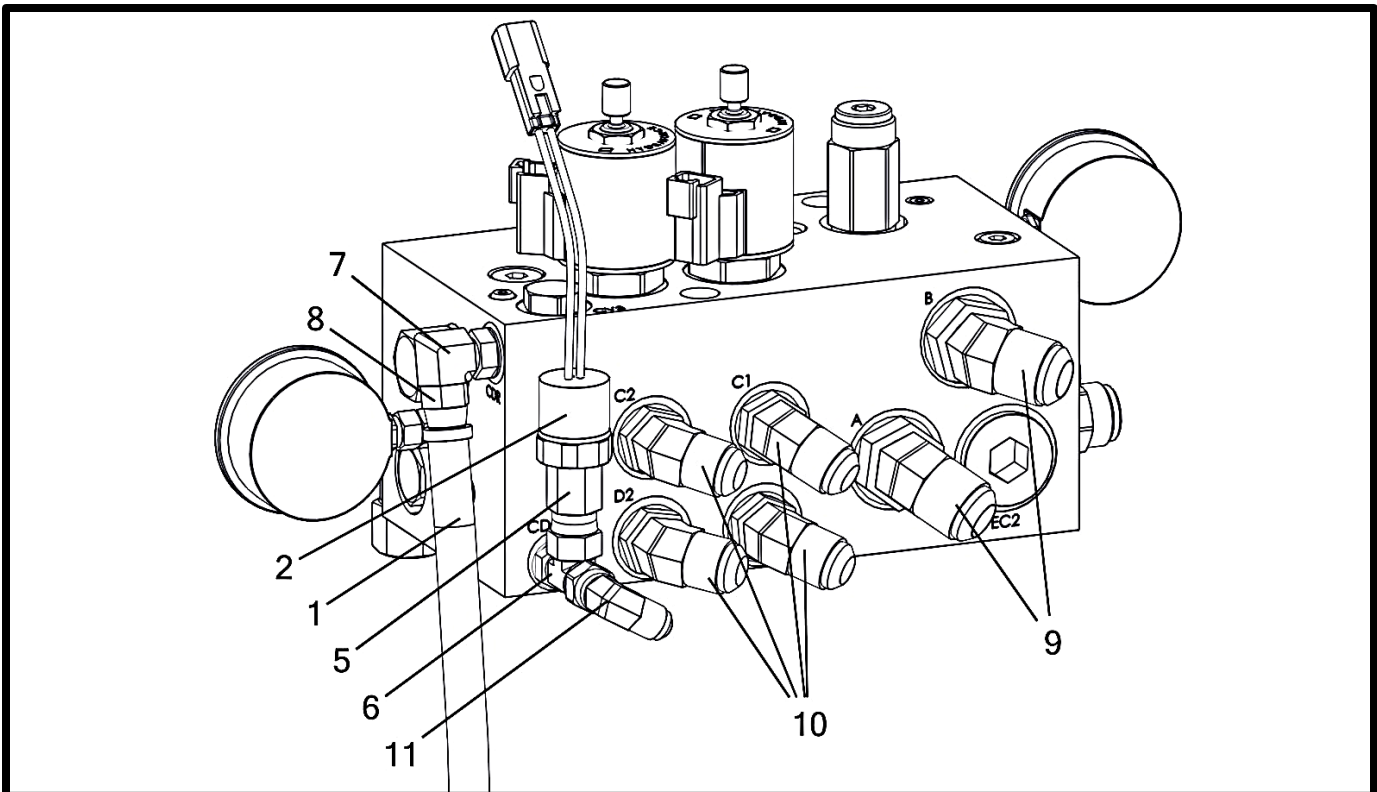
Item No.	Qty	Part Number	Description
1	1	P000912 (C2)	Hose - Hyd - 1/2" x 75" (#10 F JIC x #10 F JIC)
2	1	P000916 (D2)	Hose - Hyd - 1/2" x 58" (#10 F JIC x #10 F JIC)
3	1	P002419 (D1)	Hose - Hyd - 1/2" X 25" (#10 F JIC X #10 F JIC)
4	1	P002419 (C1)	Hose - Hyd - 1/2" X 25" (#10 F JIC X #10 F JIC)
5	1	P002601	Hose - Hyd - 3/8" x 39" (#6 F JIC x #6 F JIC)
6	1	P002601	Hose - Hyd - 3/8" x 39" (#6 F JIC x #6 F JIC)
7	1	P002936 (B)	Hose - Hyd - 3/4" x 43" (#12 F JIC x #12 F JIC)
8	1	P002936 (A)	Hose - Hyd - 3/4" x 43" (#12 F JIC x #12 F JIC)
9	1	P002937 (E)	Hose - Hyd - 3/8" x 36" (#6 F JIC x #6 F JIC)
10	1	P002937 (F)	Hose - Hyd - 3/8" x 36" (#6 F JIC x #6 F JIC)
11	1	P002938 (CD)	Hose - Hyd - 3/8" x 42" (#6 F JIC x #6 F JIC)



Hydraulic Block - 2 Product - Mechanical Slide Gate - Front View



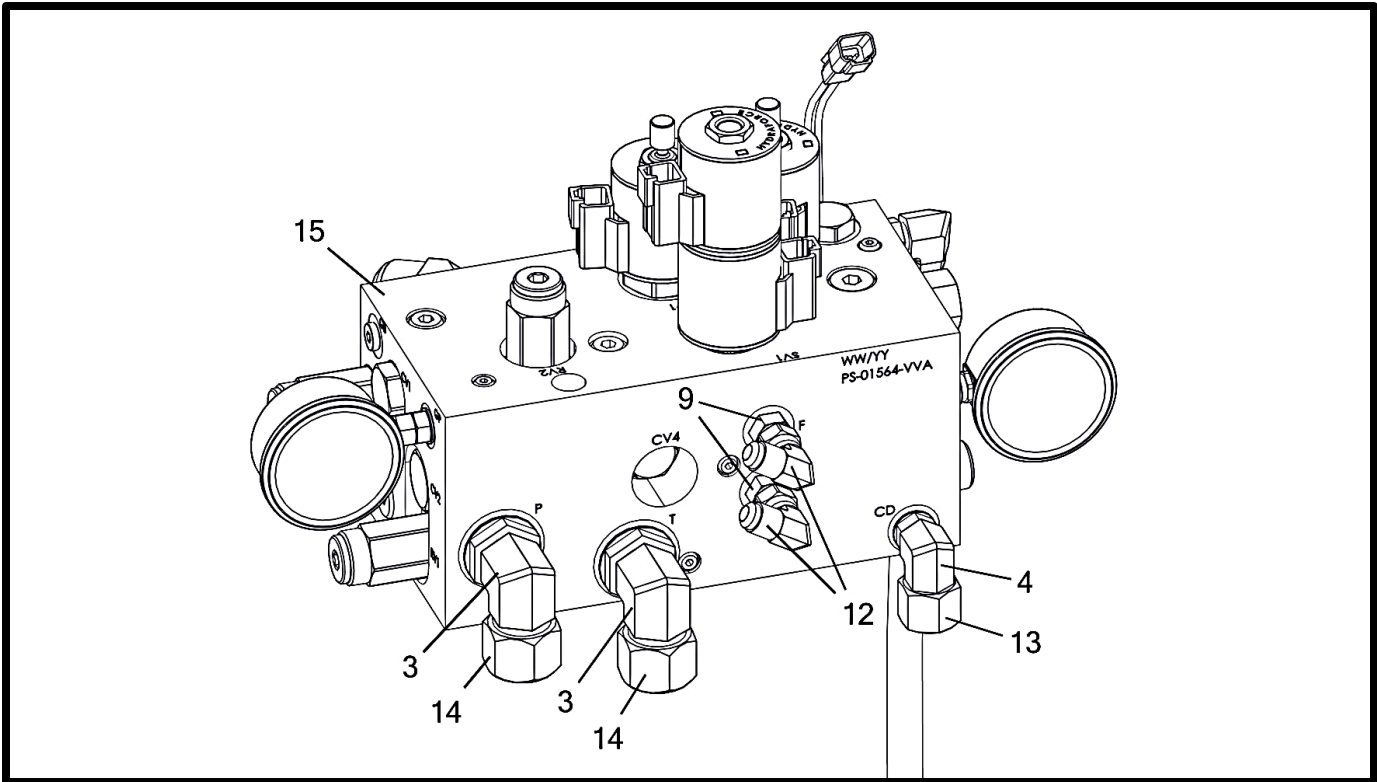
Hydraulic Block - 2 Product - Mechanical Slide Gate - Rear View



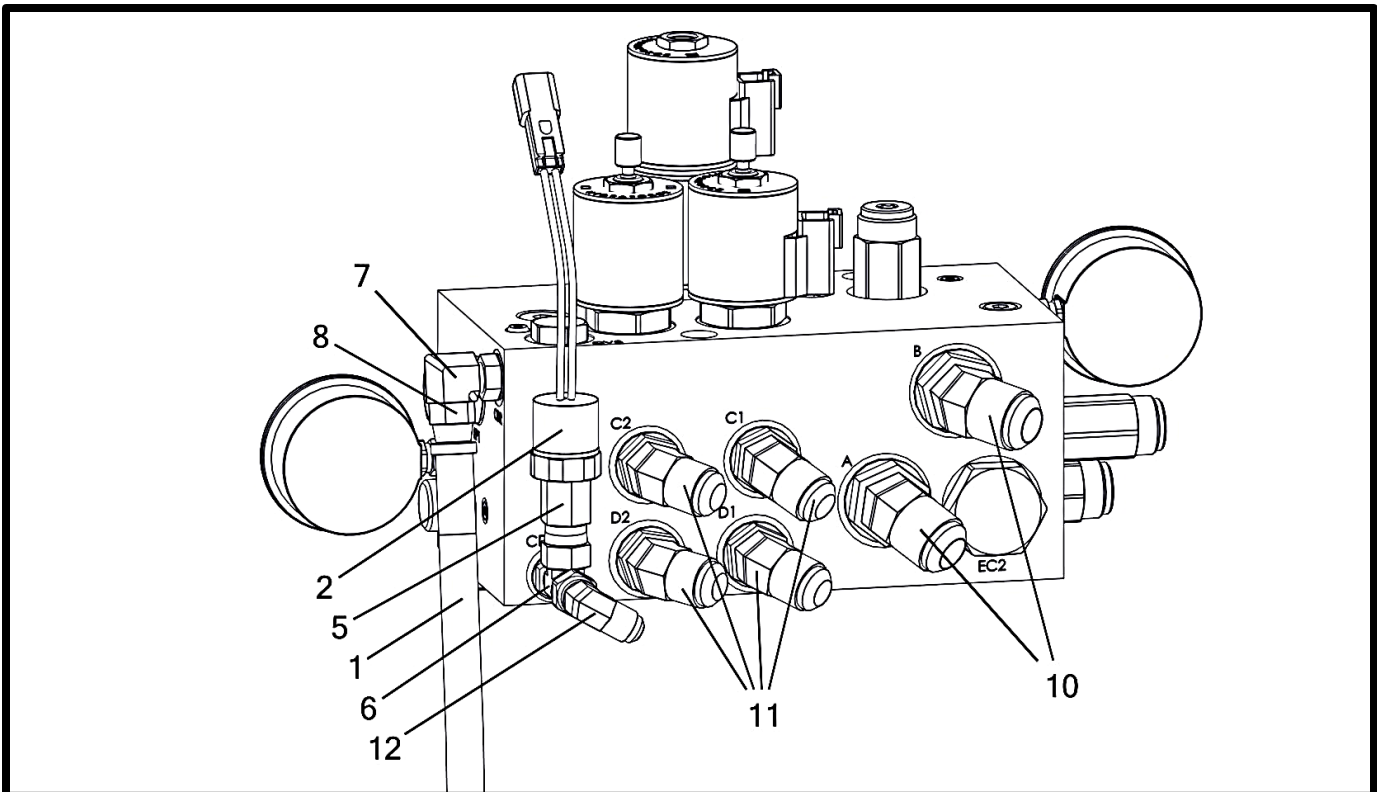
## Hydraulic Block - 2 Product - Mechanical Slide Gate

Item No.	Qty	Part Number	Description
1	1	M001042	Hose - Manifold Case Drain Bypass
2	1	P000378	Switch - Hyd Pressure Sensor (23 PSI) (Case Drain)
3	2	P000385	Fitting - Hyd - #12 M JIC x #12 M O-Ring Elbow 90 (6801-12-12)
		P002585	O-Ring - #12 Buna (4000-12)
4	1	P000386	Fitting - Hyd - #6 M O-Ring x #8 M JIC Elbow 90 (6801-08-06)
		P002582	O-Ring - #6 Buna (4000-06)
5	1	P000388	Fitting - Hyd - #6 F JIC x #4 F Pipe Adapter Union (6506-04-06)
6	1	P000389	Fitting - Hyd - 1&3=#6 M JIC, 2=#6 M O-Ring Tee (6804-06-06-06)
		P002582	O-Ring - #6 Buna (4000-06)
7	1	P000390	Fitting - Hyd - #6 M O-Ring x #6 M JIC Elbow 90 (6801-06-06)
		P002582	O-Ring - #6 Buna (4000-06)
8	1	P000391	Fitting - #6 F JIC Adapter to 3/8" Push-Lock Barb (PB-JCFX-0606)
9	2	P002610	Fitting - Hyd - #12 M O-Ring x #12 M JIC Elbow 45
		P002585	O-Ring - #12 Buna (4000-12)
10	4	P002613	Fitting - Hyd - #10 M O-ring x #10 M JIC Elbow 45
		P002584	O-Ring - #10 Buna (4000-10)
11	1	P002669	Fitting - Hyd - #6 M JIC x #6 F JIC Swivel Elbow 90
12	1	P002703	Fitting - Hyd - #8 F JIC Cap
13	2	P002704	Fitting - Hyd - #12 F JIC Cap
14	1	P003131	Manifold - Hydraulic Dual Product Control (No Slide Gate) (PS-01564-VVA-02)

Hydraulic Block - 2 Product - Hydraulic Slide Gate - Front View



Hydraulic Block - 2 Product - Hydraulic Slide Gate - Rear View

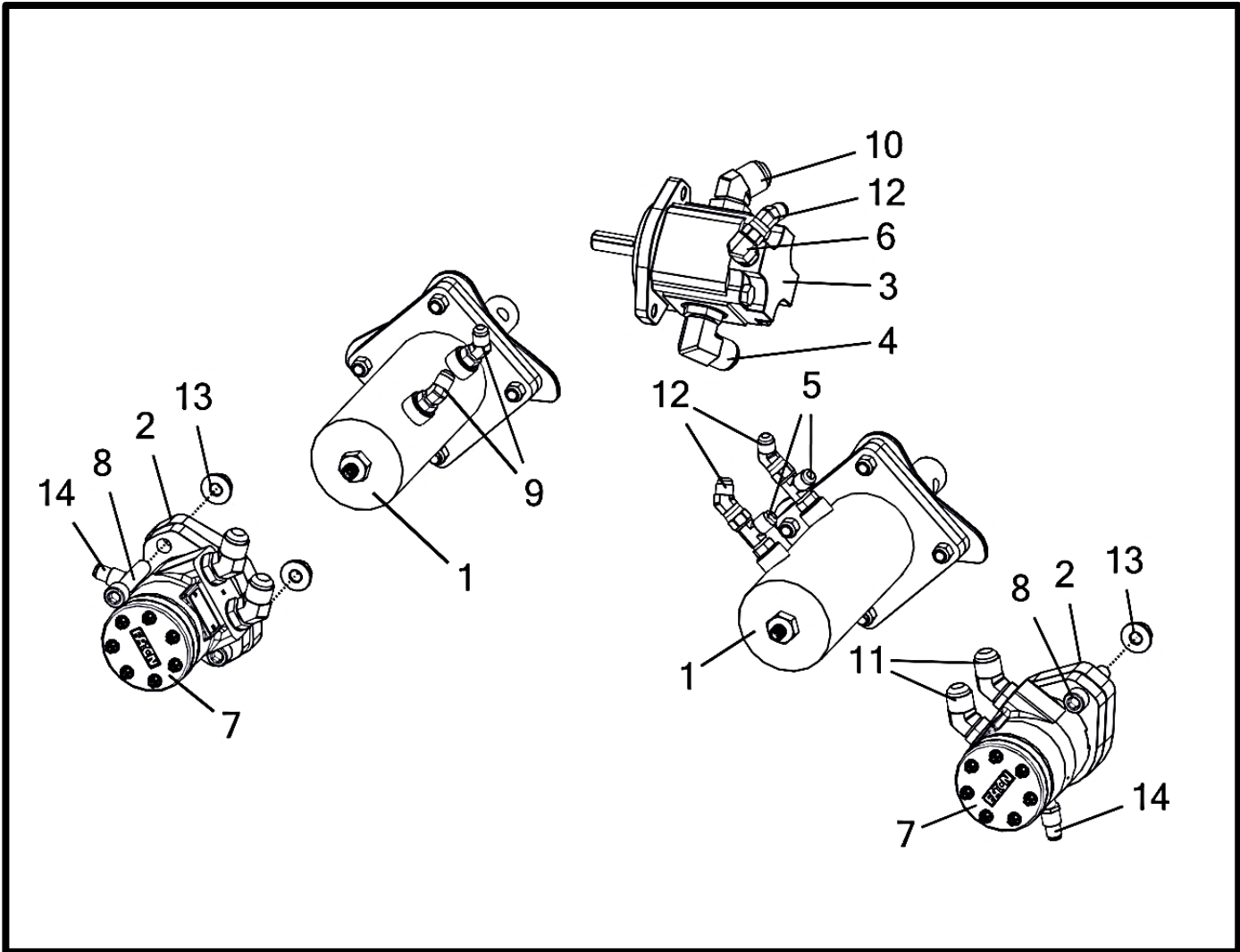




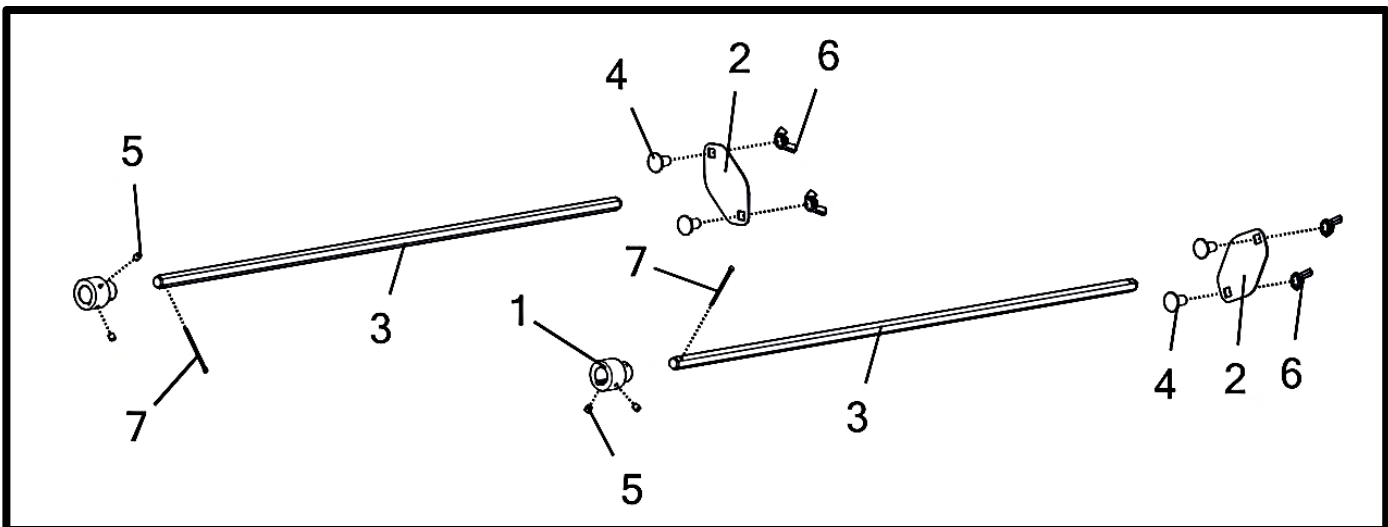
## Hydraulic Block - 2 Product - Hydraulic Slide Gate

Item No.	Qty	Part Number	Description
1	1	M001042	Hose - Manifold Case Drain Bypass
2	1	P000378	Switch - Hyd Pressure Sensor (23 PSI) (Case Drain)
3	2	P000385	Fitting - Hyd - #12 M JIC x #12 M O-Ring Elbow 90 (6801-12-12)
		P002585	O-Ring - #12 Buna (4000-12)
4	1	P000386	Fitting - Hyd - #6 M O-Ring x #8 M JIC Elbow 90 (6801-08-06)
		P002582	O-Ring - #6 Buna (4000-06)
5	1	P000388	Fitting - Hyd - #6 F JIC x #4 F Pipe Adapter Union (6506-04-06)
6	1	P000389	Fitting - Hyd - 1&3=#6 M JIC, 2=#6 M O-Ring Tee (6804-06-06-06)
		P002582	O-Ring - #6 Buna (4000-06)
7	1	P000390	Fitting - Hyd - #6 M O-Ring x #6 M JIC Elbow 90 (6801-06-06)
		P002582	O-Ring - #6 Buna (4000-06)
8	1	P000391	Fitting - #6 F JIC Adapter to 3/8" Push-Lock Barb (PB-JCFX-0606)
9	2	P000928	Fitting - Hyd - #6 M O-Ring x #6 M JIC Straight
		P002582	O-Ring - #6 Buna (4000-06)
10	2	P002610	Fitting - Hyd - #12 M O-Ring x #12 M JIC Elbow 45
		P002585	O-Ring - #12 Buna (4000-12)
11	4	P002613	Fitting - Hyd - #10 M O-ring x #10 M JIC Elbow 45
		P002584	O-Ring - #10 Buna (4000-10)
12	3	P002669	Fitting - Hyd - #6 M JIC x #6 F JIC Swivel Elbow 90
13	1	P002703	Fitting - Hyd - #8 F JIC Cap
14	2	P002704	Fitting - Hyd - #12 F JIC Cap
15	1	P003130	Manifold - Hydraulic Dual Product Control (Less Fan Override) (PS-01564-VVA-01)

## 2 Product 1 Section Drive And Fan Motors



## 1 Section Drive Components



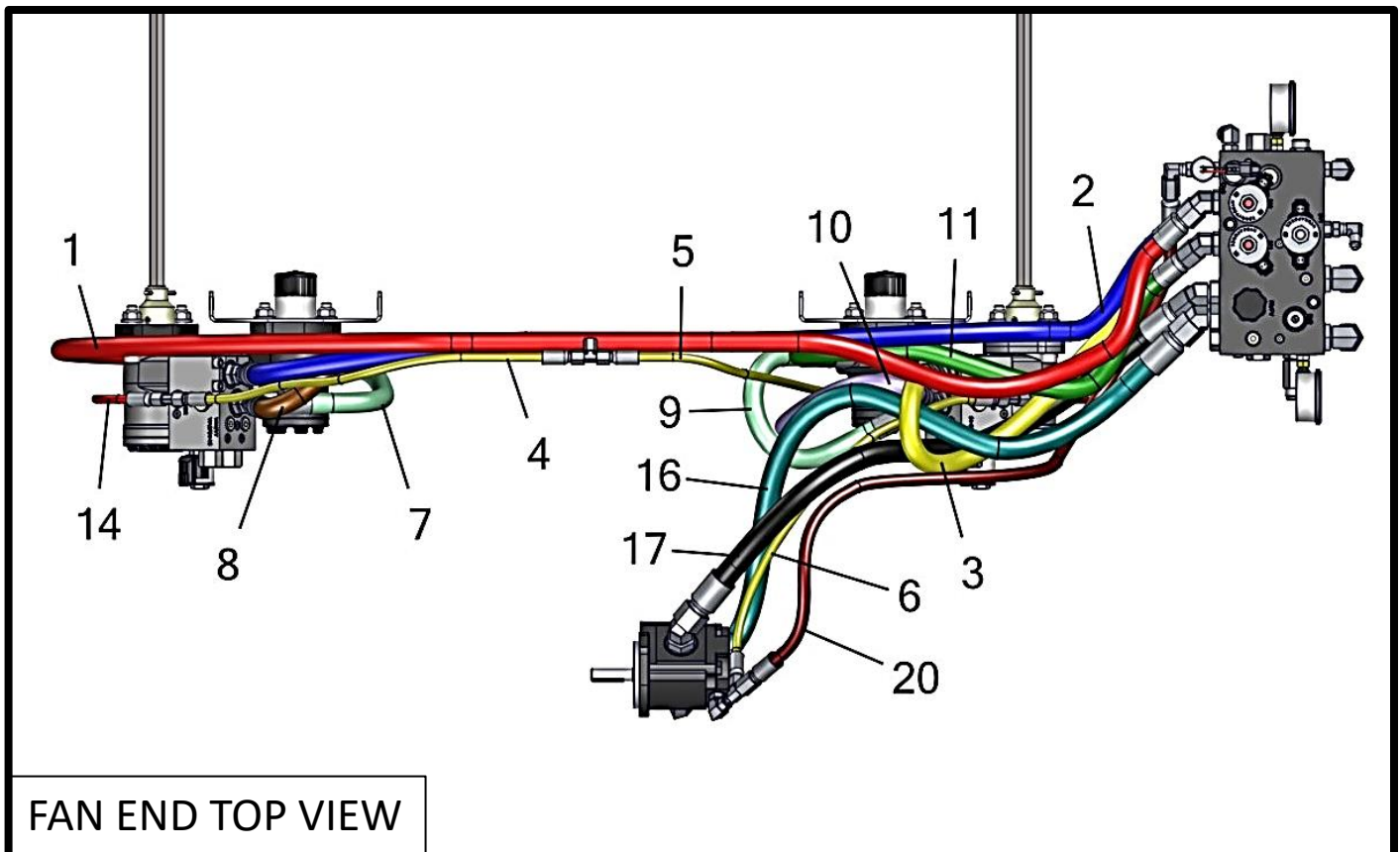
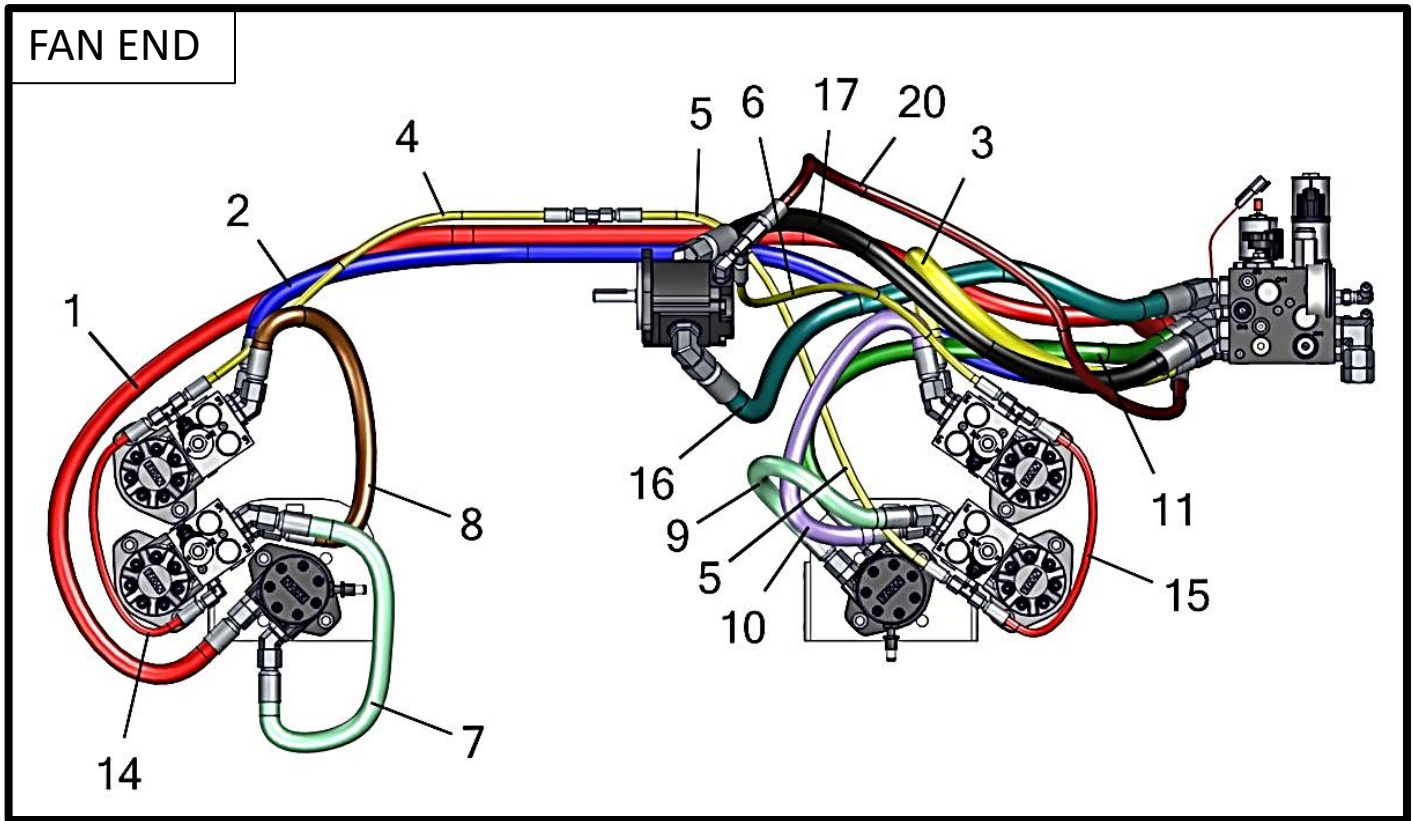
## Drive And Fan Motors

Item No.	Qty	Part Number	Description
1	2	A002506__	Cylinder - Slide Gate Sub-Assembly (Rear Sensor)
2	2	M002604__	Plate - Motor Spacer (3/4")
3	1	P000306	Motor - Parker 8 &12 Row Fan (313) 334-9219-313
4	1	P000385	Fitting - Hyd - #12 M JIC x #12 M O-Ring Elbow 90 (6801-12-12)
		P002585	O-Ring - #12 Buna (4000-12)
5	2	P000389	Fitting - Hyd - 1&3=#6 M JIC, 2=#6 M O-Ring Tee (6804-06-06-06)
		P002582	O-Ring - #6 Buna (4000-06)
6	1	P000390	Fitting - Hyd - #6 M O-Ring x #6 M JIC Elbow 90 (6801-06-06)
		P002582	O-Ring - #6 Buna (4000-06)
7	2	P000828	Motor - Hyd. 4.5 CU/IN Char-Lynn w/ Speed Sensor (101-3525-009)
8	4	P002235	Bolt - 1/2-13 x 2.25 x 1.25 Socket Head (F593 304 S/S FB)
9	2	P002432	Fitting - Hyd - #6 M O-Ring x #6 M JIC Elbow 45
		P002582	O-Ring - #6 Buna (4000-06)
10	1	P002610	Fitting - Hyd - #12 M O-Ring x #12 M JIC Elbow 45
		P002585	O-Ring - #12 Buna (4000-12)
11	4	P002613	Fitting - Hyd - #10 M O-ring x #10 M JIC Elbow 45
		P002584	O-Ring - #10 Buna (4000-10)
12	3	P002668	Fitting - Hyd - #6 M JIC x #6 F JIC Swivel Elbow 45
13	4	P002226	Nut - 1/2-13 Flange Nylon Lock (18-8 S/S FB)
14	2	P000926	Sensor - Char-Lynn Motor Speed Sensor (60 Pulse)

## Drive Components

Item No.	Qty	Part Number	Description
1	2	M002152	Coupler - 1" Round w/ Keyway to 5/8" Hex Shaft
2	2	M002272	Plate - Gear Box Drive Shaft Cover Shield
3	2	M002441	Shaft - 5/8" Gen 2 Mini Long Drive"
4	4	P000638	Bolt - 1/2-13 x 1 x 1 Carriage (F593 304 S/S FB)
5	4	P000785	Set Screw - 5/16-18 x 5/16" UNC
6	4	P000911	Nut - 1/2-13 UNC Wing (Nylon)
7	2	P002013	Cotter Pin - 1/8" x 2.64" (S/S)

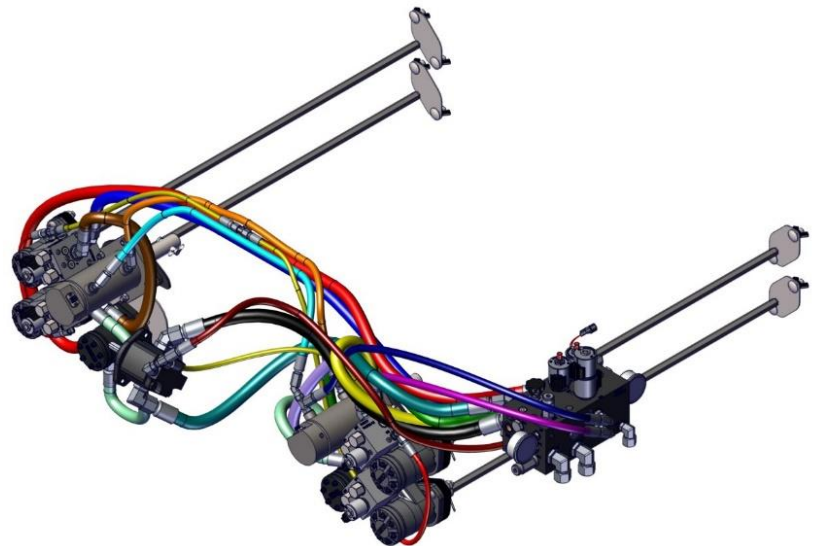
## Hydraulics – 2 Product 2 Section Hoses



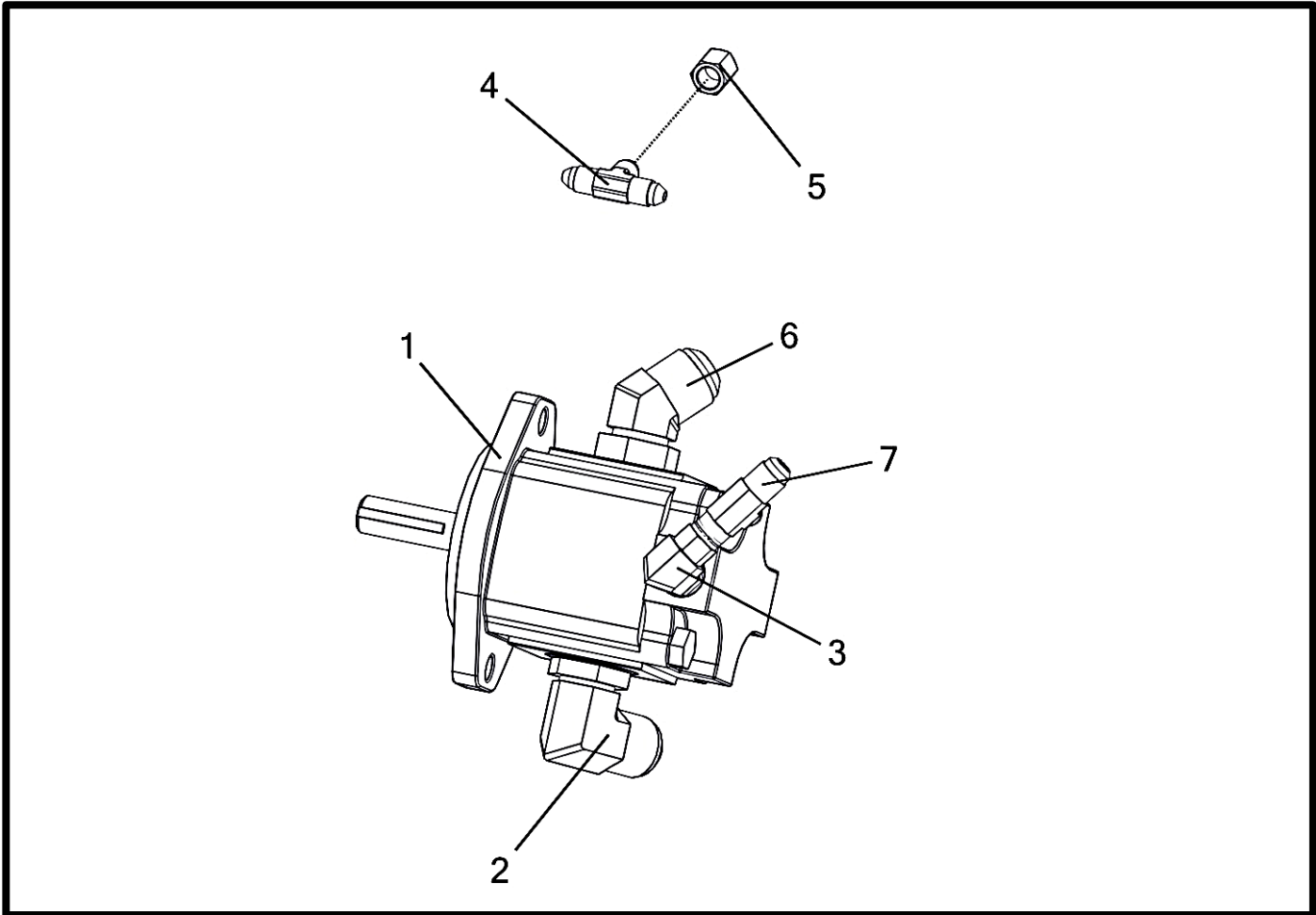
## Hydraulics – 2 Section Hoses

Item No.	Qty	Part Number	Description
1	1	P000912 (C2)	Hose - Hyd - 1/2" x 75" (#10 F JIC x #10 F JIC)
2	1	P000916 (D2)	Hose - Hyd - 1/2" x 58" (#10 F JIC x #10 F JIC)
3	1	P000916 (D1)	Hose - Hyd - 1/2" x 58" (#10 F JIC x #10 F JIC)
4	1	P002412	Hose - Hyd - 1/4" x 25" (#4 F JIC x #4 F JIC)
5	1	P002412	Hose - Hyd - 1/4" x 25" (#4 F JIC x #4 F JIC)
6	1	P002412	Hose - Hyd - 1/4" x 25" (#4 F JIC x #4 F JIC)
7	1	P002419	Hose - Hyd - 1/2" X 25" (#10 F JIC X #10 F JIC)
8	1	P002419	Hose - Hyd - 1/2" X 25" (#10 F JIC X #10 F JIC)
9	1	P002419	Hose - Hyd - 1/2" X 25" (#10 F JIC X #10 F JIC)
10	1	P002419	Hose - Hyd - 1/2" X 25" (#10 F JIC X #10 F JIC)
11	1	P002422 (C1)	Hose - Hyd - 1/2" x 48" (#10 F JIC x #10 F JIC)
12	1	P002601	Hose - Hyd - 3/8" x 39" (#6 F JIC x #6 F JIC)
13	1	P002601	Hose - Hyd - 3/8" x 39" (#6 F JIC x #6 F JIC)
14	1	P002670	Hose - Hyd - 1/4" x 20" (#4 F JIC x #4 F JIC)
15	1	P002670	Hose - Hyd - 1/4" x 20" (#4 F JIC x #4 F JIC)
16	1	P002936 (B)	Hose - Hyd - 3/4" x 43" (#12 F JIC x #12 F JIC)
17	1	P002936 (A)	Hose - Hyd - 3/4" x 43" (#12 F JIC x #12 F JIC)
18	1	P002937 (E)	Hose - Hyd - 3/8" x 36" (#6 F JIC x #6 F JIC)
19	1	P002937 (F)	Hose - Hyd - 3/8" x 36" (#6 F JIC x #6 F JIC)
20	1	P002938 (CD)	Hose - Hyd - 3/8" x 42" (#6 F JIC x #6 F JIC)

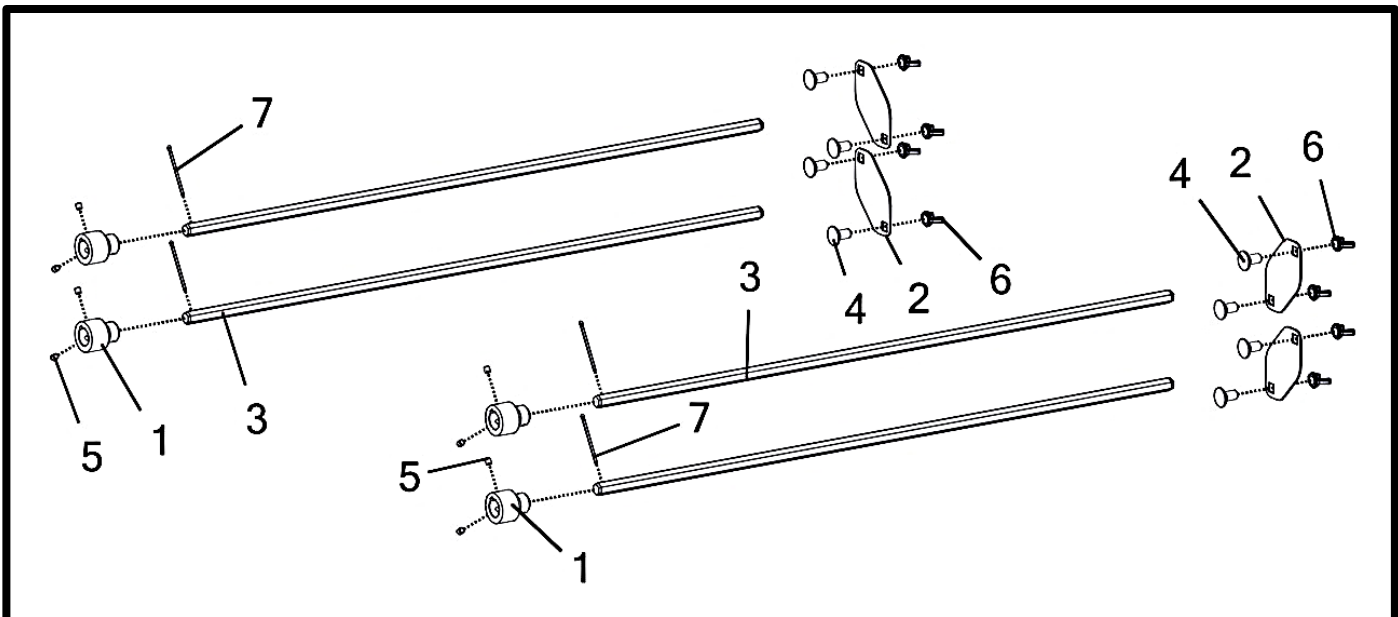
**2 Section Also Requires:  
Hydraulic Block – pg. 126-129**



## 2 Section Slide Gate Cylinders, Fan Motor, and Tee Fitting



## 2 Section Drive Components



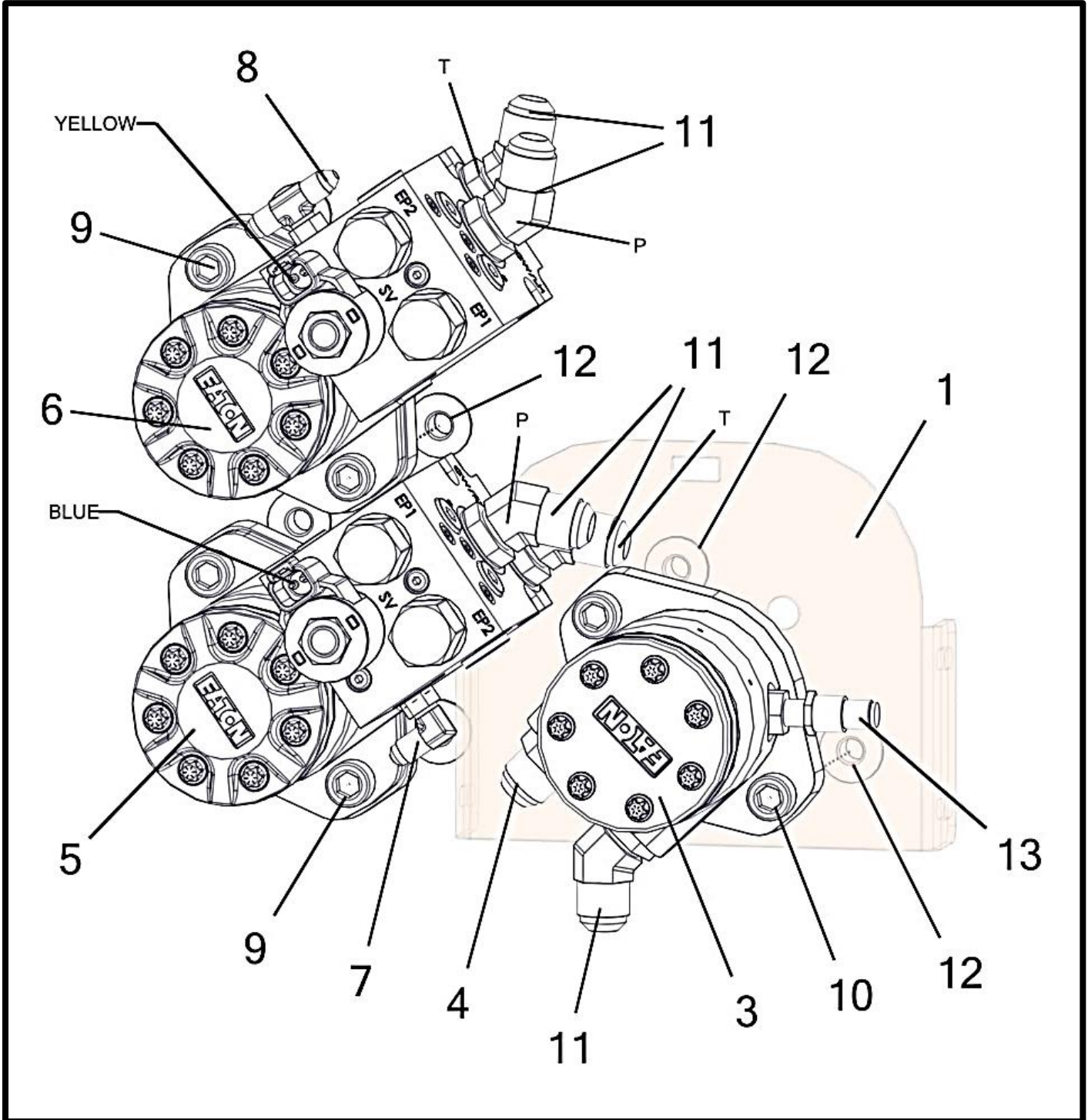
## 2 Section Slide Gate Cylinders, Fan Motor, and Tee Fitting

Item No.	Qty	Part Number	Description
1	1	P000306	Motor - Parker 8 &12 Row Fan (313) 334-9219-313
2	1	P000385	Fitting - Hyd - #12 M JIC x #12 M O-Ring Elbow 90 (6801-12-12)
		P002585	O-Ring - #12 Buna (4000-12)
3	1	P000390	Fitting - Hyd - #6 M O-Ring x #6 M JIC Elbow 90 (6801-06-06)
		P002582	O-Ring - #6 Buna (4000-06)
4	1	P000922	Fitting - Hyd - 1&2&3=#4 M JIC Tee (2603-04-04-04)
5	1	P000923	Fitting - Hyd - #4 F JIC Cap
6	1	P002610	Fitting - Hyd - #12 M O-Ring x #12 M JIC Elbow 45
		P002585	O-Ring - #12 Buna (4000-12)
7	1	P002940	Fitting - Hyd - 1=#6 M JIC, 2=#6 F JIC, 3=#4 M JIC Tee (6602-06-06-04)

## 2 Section Drive Components

Item No.	Qty	Part Number	Description
1	4	M002152	Coupler - 1" Round w/ Keyway to 5/8" Hex Shaft
2	4	M002272	Plate - Gear Box Drive Shaft Cover Shield
3	4	M002441	Shaft - 5/8" Gen 2 Mini Long Drive"
4	8	P000638	Bolt - 1/2-13 x 1 x 1 Carriage (F593 304 S/S FB)
5	8	P000785	Set Screw - 5/16-18 x 5/16" UNC
6	8	P000911	Nut - 1/2-13 UNC Wing (Nylon)
7	4	P002013	Cotter Pin - 1/8" x 2.64" (S/S)

## Speed Sensor & Drive Motors – Tank 2 (Fan End) (2, 3, And 4 Section)





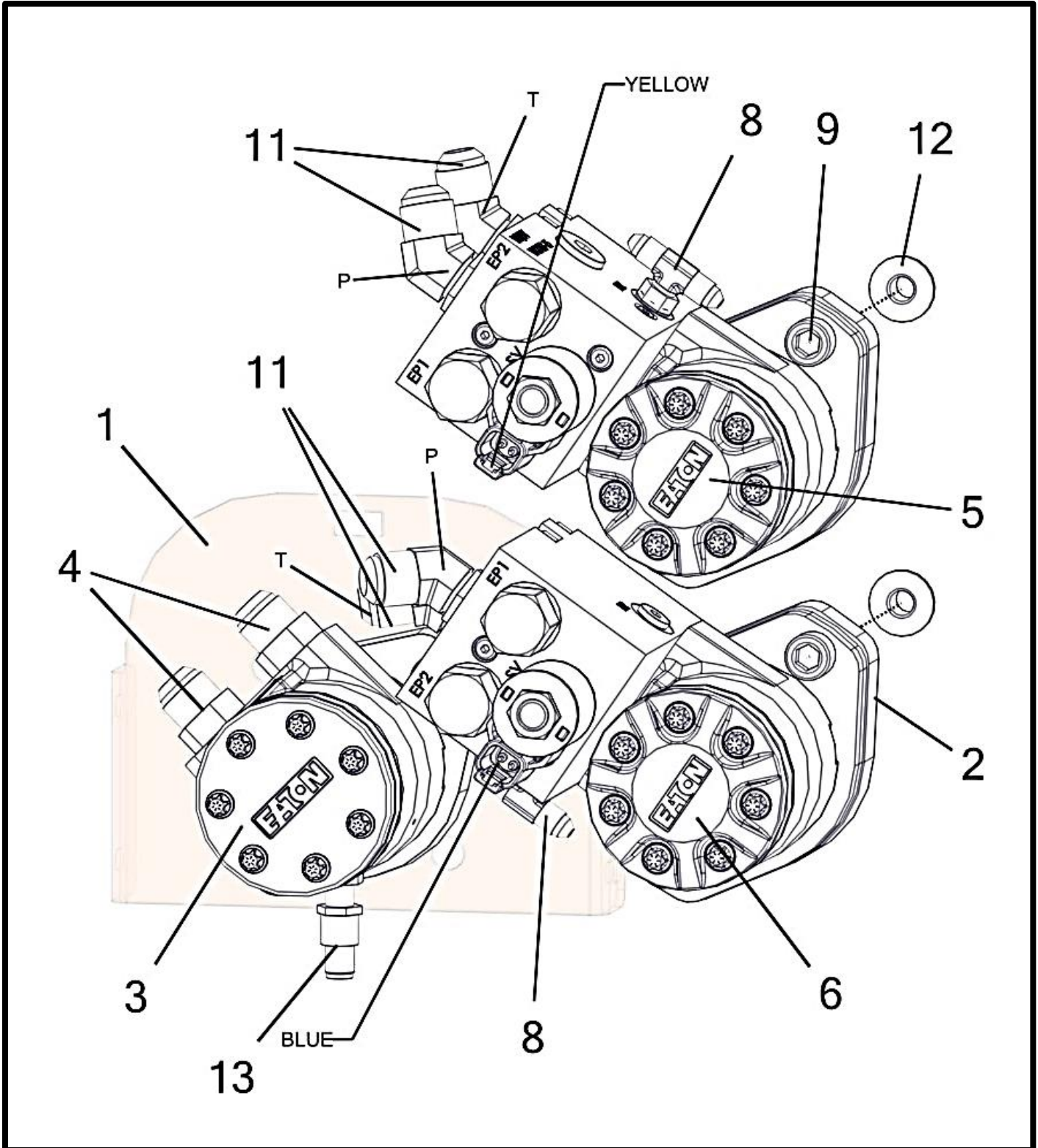
## Speed Sensor & Drive Motors – Tank 2 (Fan End) (2, 3, And 4 Section)

Item No.	Qty	Part Number	Description
1	2	A002155	Bracket Assembly- Encoder Motor Mounting
2	4	M002604__	Plate - Motor Spacer (3/4")
3	2	P000828	Motor - Hyd. 4.5 CU/IN Char-Lynn w/ Speed Sensor (101-3525-009)
4	3	P000836	Fitting - Hyd - #10 M O-Ring x #10 M JIC Straight
		P002584	O-Ring - #10 Buna (4000-10)
5	2	P000881 *	Motor - Hyd. 4.5 CU/IN Char-Lynn Single Poppet Valve (CW) (MA2783-15)
6	2	P000882 *	Motor - Hyd. 4.5 CU/IN Char-Lynn Single Poppet Valve (CCW) (MA2784-15)
7	1	P000917	Fitting - Hyd - #4 M O-Ring x #4 M JIC Elbow 90
		P002581	O-Ring - #4 Buna (4000-04)
8	3	P000918	Fitting - Hyd - 1&2=#4 M JIC, 3=#4 M O-Ring Tee
		P002581	O-Ring - #4 Buna (4000-04)
9	8	P002235	Bolt - 1/2-13 x 2.25 x 1.25 Socket Head (F593 304 S/S FB)
10	4	P002237	Bolt - 1/2-13 x 1.5 x 1.25 Socket Head (F593 304 S/S FB)
11	9	P002613	Fitting - Hyd - #10 M O-ring x #10 M JIC Elbow 45
		P002584	O-Ring - #10 Buna (4000-10)
12	12	P002226	Nut - 1/2-13 Flange Nylon Lock (18-8 S/S FB)
13	2	P000926	Sensor - Char-Lynn Motor Speed Sensor (60 Pulse)

**\*See Pg. 140-141 for P000881 Breakdown**

**\*See Pg. 142-143 for P000882 Breakdown**

## Speed Sensor & Drive Motors – Tank 1 (Fan End) (2, 4, And 4 Section)



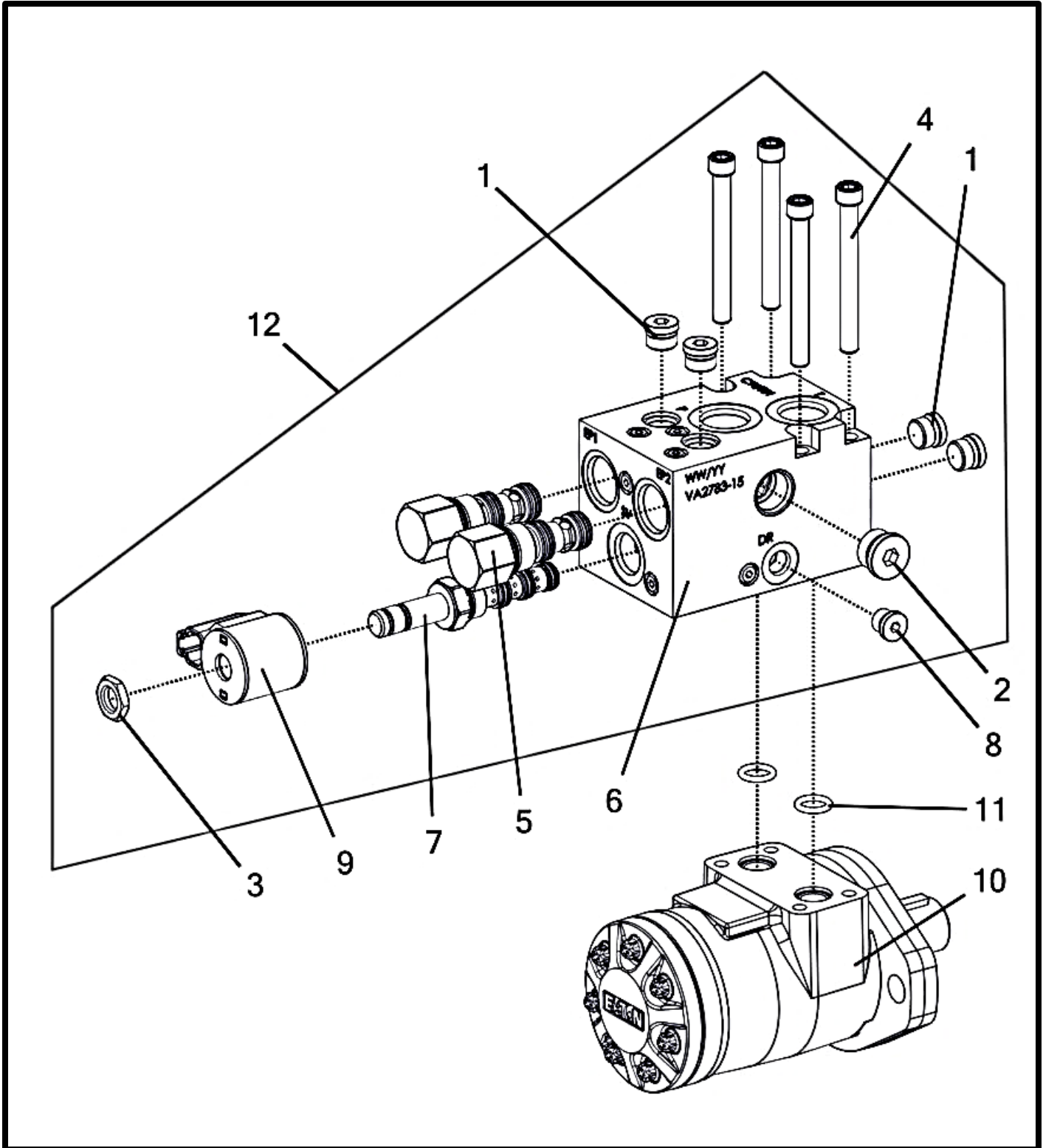
## Speed Sensor & Drive Motors – Tank 1 (Fan End) (2, 3, And 4 Section)

Item No.	Qty	Part Number	Description
1	2	A002155	Bracket Assembly- Encoder Motor Mounting
2	4	M002604__	Plate - Motor Spacer (3/4")
3	2	P000828	Motor - Hyd. 4.5 CU/IN Char-Lynn w/ Speed Sensor (101-3525-009)
4	3	P000836	Fitting - Hyd - #10 M O-Ring x #10 M JIC Straight
		P002584	O-Ring - #10 Buna (4000-10)
5	2	P000881 *	Motor - Hyd. 4.5 CU/IN Char-Lynn Single Poppet Valve (CW) (MA2783-15)
6	2	P000882 *	Motor - Hyd. 4.5 CU/IN Char-Lynn Single Poppet Valve (CCW) (MA2784-15)
7	1	P000917	Fitting - Hyd - #4 M O-Ring x #4 M JIC Elbow 90
		P002581	O-Ring - #4 Buna (4000-04)
8	3	P000918	Fitting - Hyd - 1&2=#4 M JIC, 3=#4 M O-Ring Tee
		P002581	O-Ring - #4 Buna (4000-04)
9	8	P002235	Bolt - 1/2-13 x 2.25 x 1.25 Socket Head (F593 304 S/S FB)
10	4	P002237	Bolt - 1/2-13 x 1.5 x 1.25 Socket Head (F593 304 S/S FB)
11	9	P002613	Fitting - Hyd - #10 M O-ring x #10 M JIC Elbow 45
		P002584	O-Ring - #10 Buna (4000-10)
12	12	P002226	Nut - 1/2-13 Flange Nylon Lock (18-8 S/S FB)
13	2	P000926	Sensor - Char-Lynn Motor Speed Sensor (60 Pulse)

**\*See Pg. 140-141 for P000881 Breakdown**

**\*See Pg. 142-143 for P000882 Breakdown**

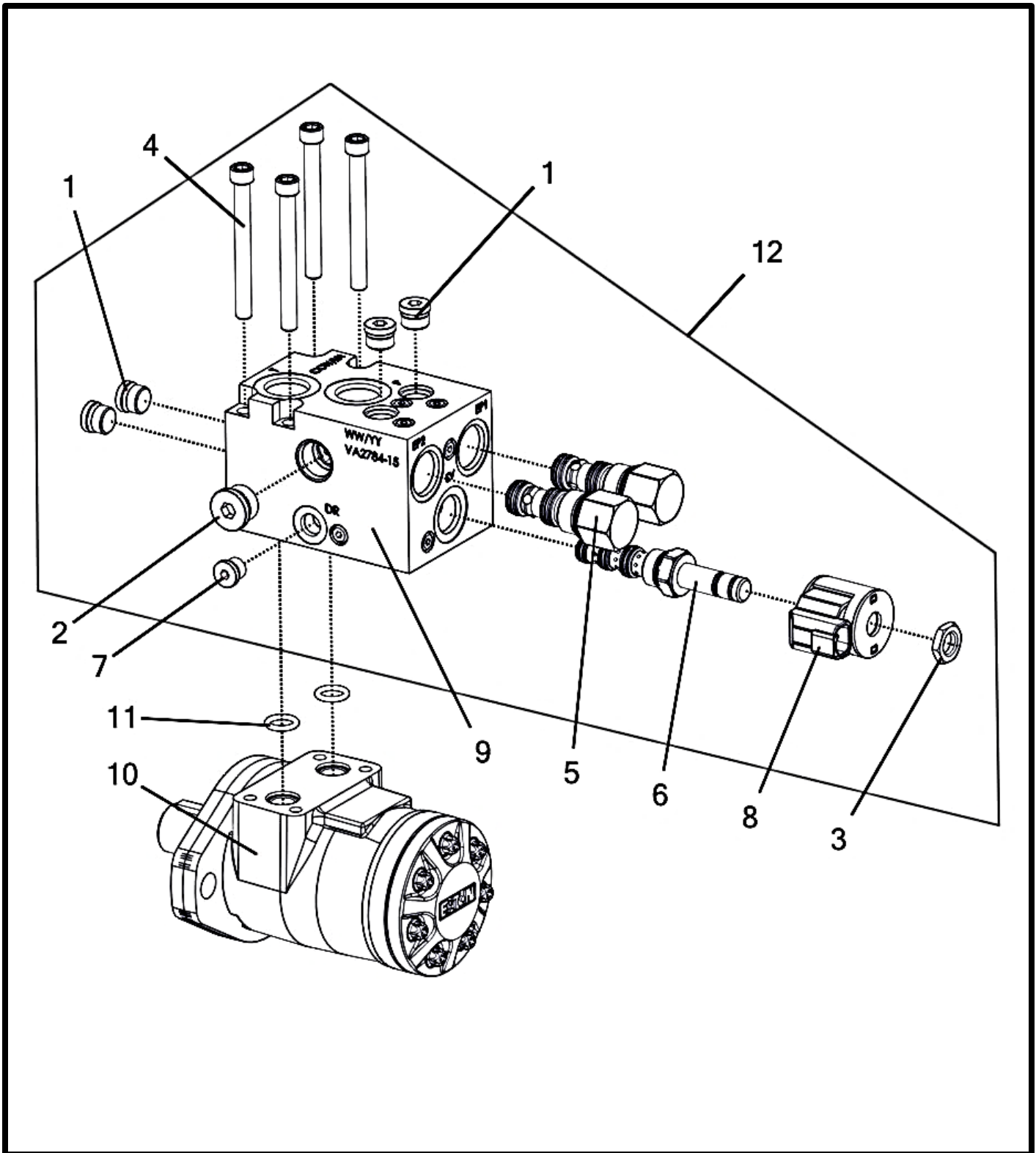
## Motor - Hyd. 4.5 CU/IN Char-Lynn Single Poppet Valve (CW) (MA2783-15)



## Motor - Hyd. 4.5 CU/IN Char-Lynn Single Poppet Valve (CW) (MA2783-15)

Item No.	Qty	Part Number	Description
		<b>P000881</b>	<b>Motor - Hyd. 4.5 CU/IN Char-Lynn Single Poppet Valve (CW) (MA2783-15)</b>
1	4	P000788	Plug - Hyd. - #06 O-Ring 6408-HHP-06
		P002582	O-Ring - #6 Buna (4000-06)
2	1	P000789	Plug - Hyd. - #08 O-Ring 6408-HHP-08
		P002583	O-Ring - #8 Buna (4000-08)
3	1	P002517	Nut - Coil 7004400
4	4	P002518	Bolt - 5/16-18 x 3 x 0.875 Socket Head (F593 304 S/S FB)
5	2	P002519	Valve - #10 Piloted Spool Type Logic Element 10 PSI EP10-S35-0-N-10
		P002570	Kit - SK10-3N-MM Replacement Seal
6	1	P002520	Block - Hydraulic Motor Drive (VA2783-15)
7	1	P002521	Valve - #8 Spool, 4-Way, 2-Position SV08-40-0-N-00
		P002580	Kit - SK08-4N-MMM Replacement Seal
8	1	P000787	Plug - Hyd. - #04 O-Ring 6408-HHP-04
		P002581	O-Ring - #4 Buna (4000-04)
9	1	P002523	E-Coil - #8, 12 VDC, Deutsch DT04-2P (4303612)
10	1	P002734	Motor - Hyd. Ported H-Series 4.5 CID (101-1042-009)
11	2	P002735	O-Ring - .50" x .09" CS Buna (1-112-70N)
12	1	P002524	Manifold - Hyd. Motor On/Off Control (VA2783-15)

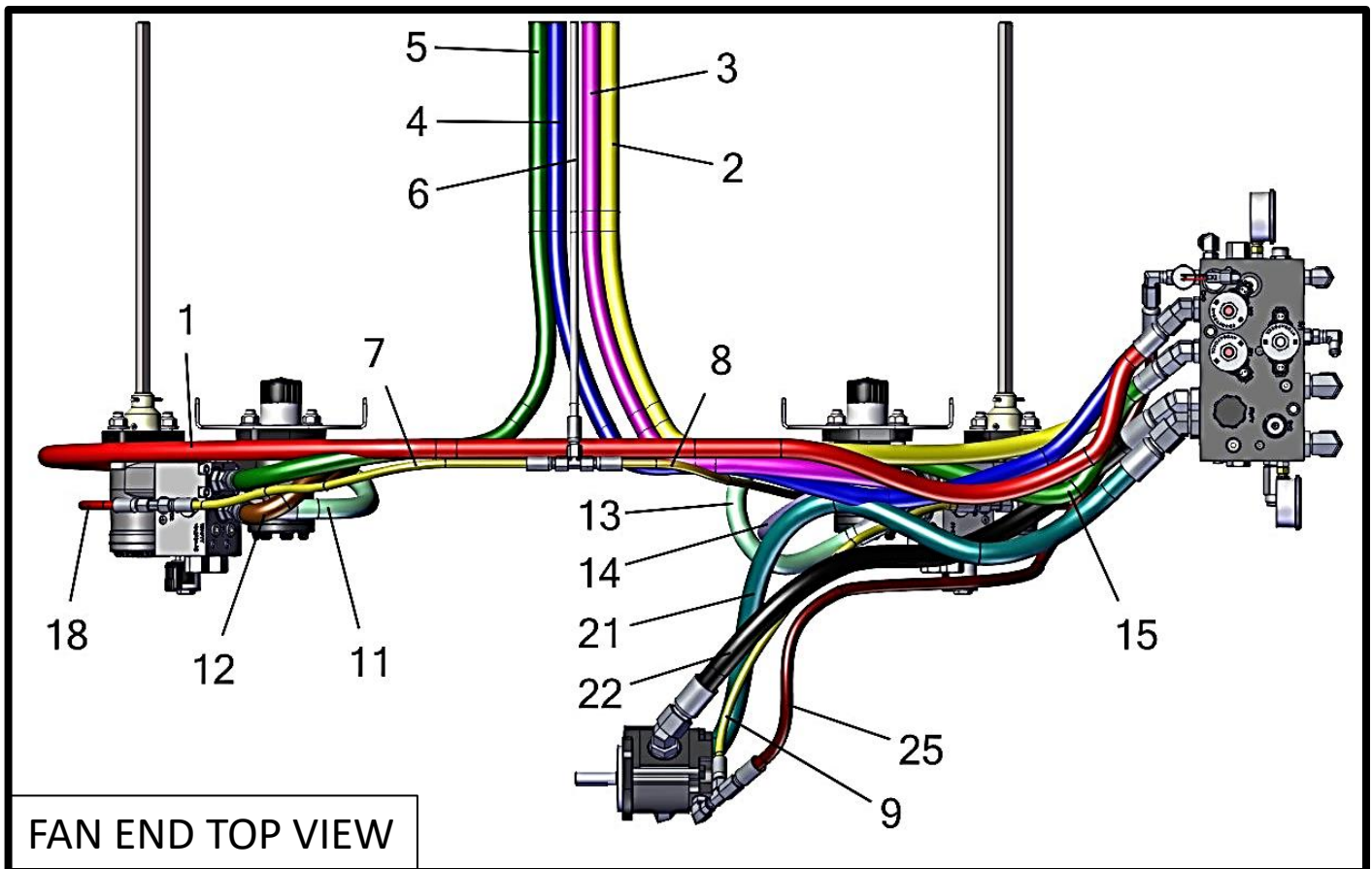
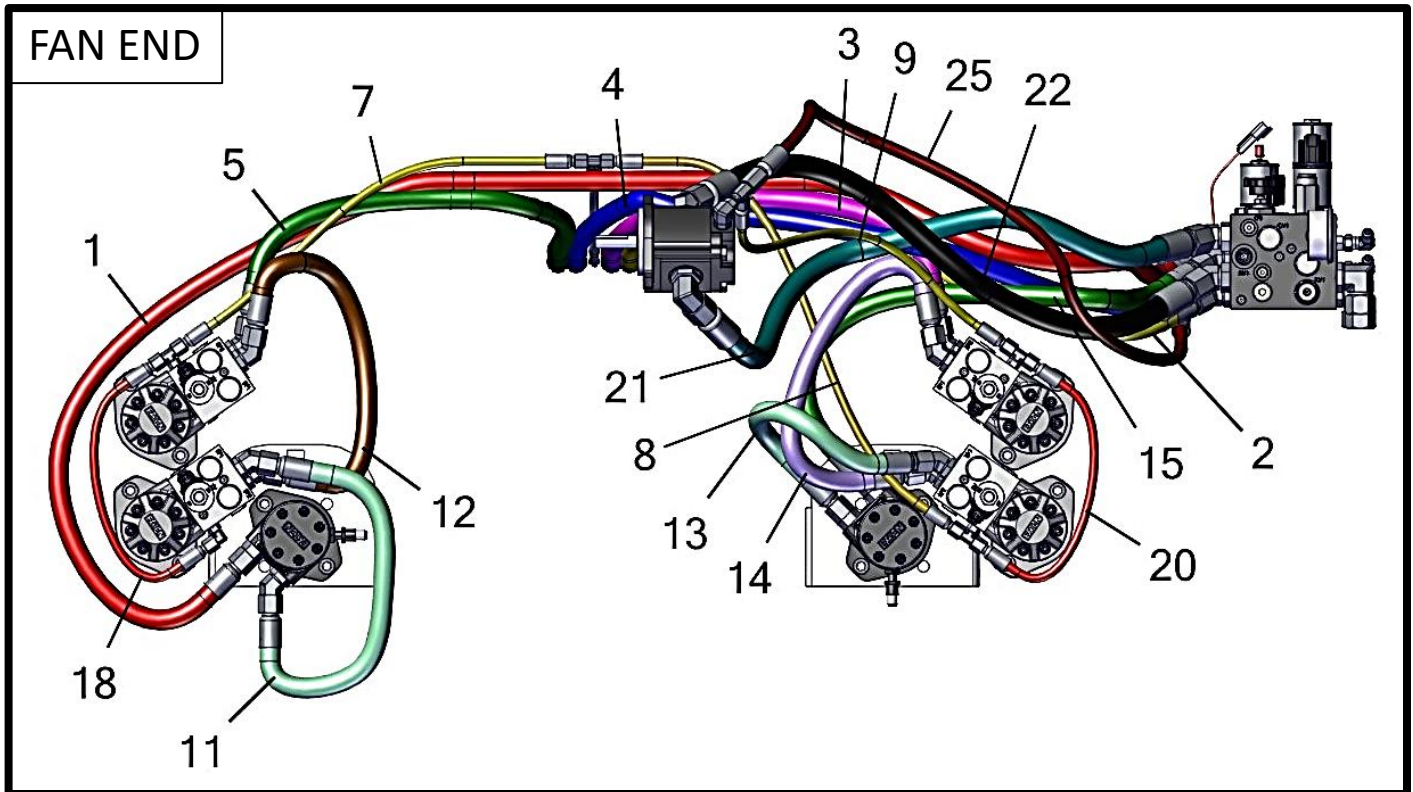
## Motor - Hyd. 4.5 CU/IN Char-Lynn Single Poppet Valve (CCW) (MA2784-15)



## Motor - Hyd. 4.5 CU/IN Char-Lynn Single Poppet Valve (CCW) (MA2784-15)

Item No.	Qty	Part Number	Description
		<b>P000882</b>	<b>Motor - Hyd. 4.5 CU/IN Char-Lynn Single Poppet Valve (CCW) (MA2784-15)</b>
1	4	P000788	Plug - Hyd. - #06 O-Ring 6408-HHP-06
		P002582	O-Ring - #6 Buna (4000-06)
2	1	P000789	Plug - Hyd. - #08 O-Ring 6408-HHP-08
		P002583	O-Ring - #8 Buna (4000-08)
3	1	P002517	Nut - Coil 7004400
4	4	P002518	Bolt - 5/16-18 x 3 x 0.875 Socket Head (F593 304 S/S FB)
5	2	P002519	Valve - #10 Piloted Spool Type Logic Element 10 PSI EP10-S35-0-N-10
		P002570	Kit - SK10-3N-MM Replacement Seal
6	1	P002521	Valve - #8 Spool, 4-Way, 2-Position SV08-40-0-N-00
		P002580	Kit - SK08-4N-MMM Replacement Seal
7	1	P000787	Plug - Hyd. - #04 O-Ring 6408-HHP-04
		P002581	O-Ring - #4 Buna (4000-04)
8	1	P002523	E-Coil - #8, 12 VDC, Deutsch DT04-2P (4303612)
9	1	P002527	Block - Hydraulic Motor Drive (VA2784-15)
10	1	P002734	Motor - Hyd. Ported H-Series 4.5 CID (101-1042-009)
11	2	P002735	O-Ring - .50" x .09" CS Buna (1-112-70N)
12	1	P002526	Manifold - Hyd. Motor On/Off Control (VA2784-15)

### Hydraulics – 3 Section Hoses (Fan End)

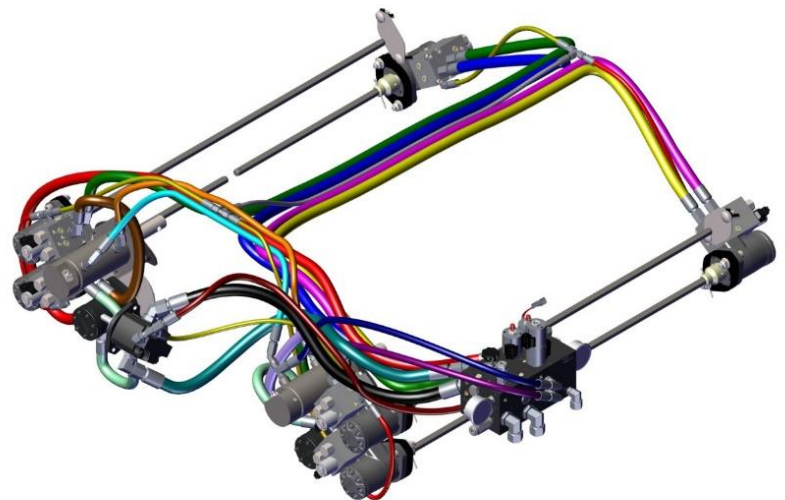




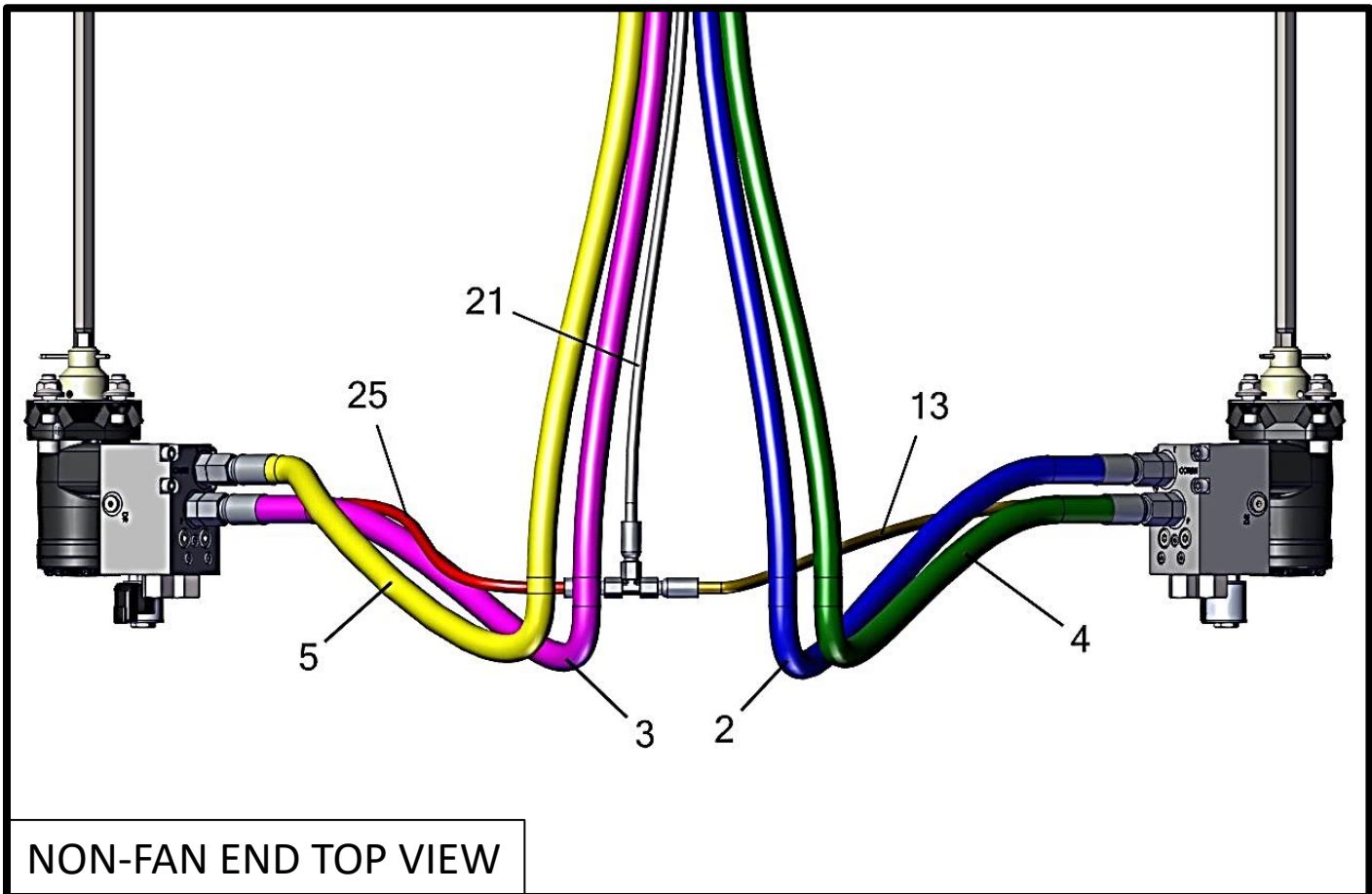
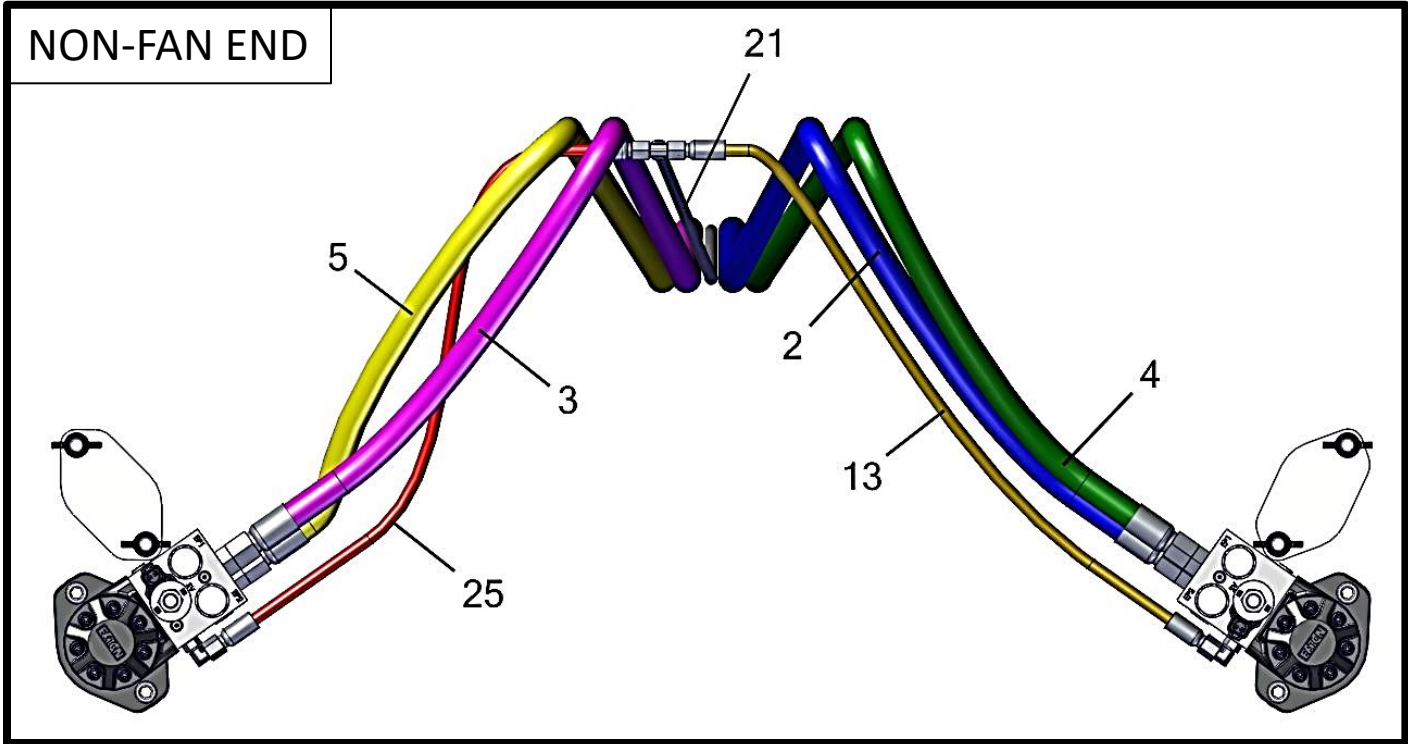
## Hydraulics – 3 Section Hoses (Fan End)

Item No.	Qty	Part Number	Description
1	1	P000912 (C2)	Hose - Hyd - 1/2" x 75" (#10 F JIC x #10 F JIC)
2	1	P002200 (D1)	Hose - Hyd - 1/2" x 97" (#10 F JIC x #10 F JIC)
3	1	P002200	Hose - Hyd - 1/2" x 97" (#10 F JIC x #10 F JIC)
4	1	P002200 (D2)	Hose - Hyd - 1/2" x 97" (#10 F JIC x #10 F JIC)
5	1	P002200	Hose - Hyd - 1/2" x 97" (#10 F JIC x #10 F JIC)
6	1	P002201	Hose - Hyd - 1/4" x 61" (#4 F JIC x #4 F JIC)
7	1	P002412	Hose - Hyd - 1/4" x 25" (#4 F JIC x #4 F JIC)
8	1	P002412	Hose - Hyd - 1/4" x 25" (#4 F JIC x #4 F JIC)
9	1	P002412	Hose - Hyd - 1/4" x 25" (#4 F JIC x #4 F JIC)
10	1	P002412	Hose - Hyd - 1/4" x 25" (#4 F JIC x #4 F JIC)
11	1	P002419	Hose - Hyd - 1/2" X 25" (#10 F JIC X #10 F JIC)
12	1	P002419	Hose - Hyd - 1/2" X 25" (#10 F JIC X #10 F JIC)
13	1	P002419	Hose - Hyd - 1/2" X 25" (#10 F JIC X #10 F JIC)
14	1	P002419	Hose - Hyd - 1/2" X 25" (#10 F JIC X #10 F JIC)
15	1	P002422 (C1)	Hose - Hyd - 1/2" x 48" (#10 F JIC x #10 F JIC)
16	1	P002601	Hose - Hyd - 3/8" x 39" (#6 F JIC x #6 F JIC)
17	1	P002601	Hose - Hyd - 3/8" x 39" (#6 F JIC x #6 F JIC)
18	1	P002670	Hose - Hyd - 1/4" x 20" (#4 F JIC x #4 F JIC)
19	1	P002670	Hose - Hyd - 1/4" x 20" (#4 F JIC x #4 F JIC)
20	1	P002670	Hose - Hyd - 1/4" x 20" (#4 F JIC x #4 F JIC)
21	1	P002936 (B)	Hose - Hyd - 3/4" x 43" (#12 F JIC x #12 F JIC)
22	1	P002936 (A)	Hose - Hyd - 3/4" x 43" (#12 F JIC x #12 F JIC)
23	1	P002937 (E)	Hose - Hyd - 3/8" x 36" (#6 F JIC x #6 F JIC)
24	1	P002937 (F)	Hose - Hyd - 3/8" x 36" (#6 F JIC x #6 F JIC)
25	1	P002938 (CD)	Hose - Hyd - 3/8" x 42" (#6 F JIC x #6 F JIC)

**3 Section Also Requires:**  
**Hydraulic Block – pg. 126-129**  
**Fan-End Motors – pg. 136-139**

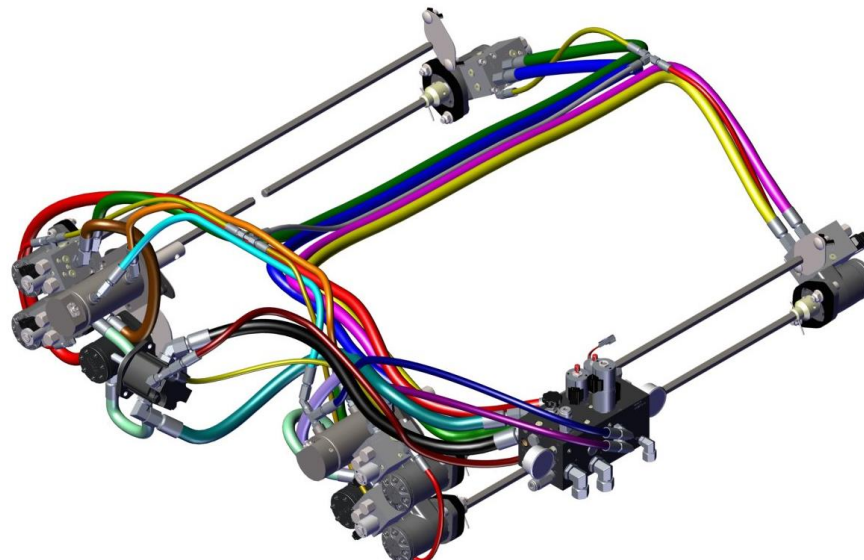


### Hydraulics – 3 Section Hoses (Non-Fan End)

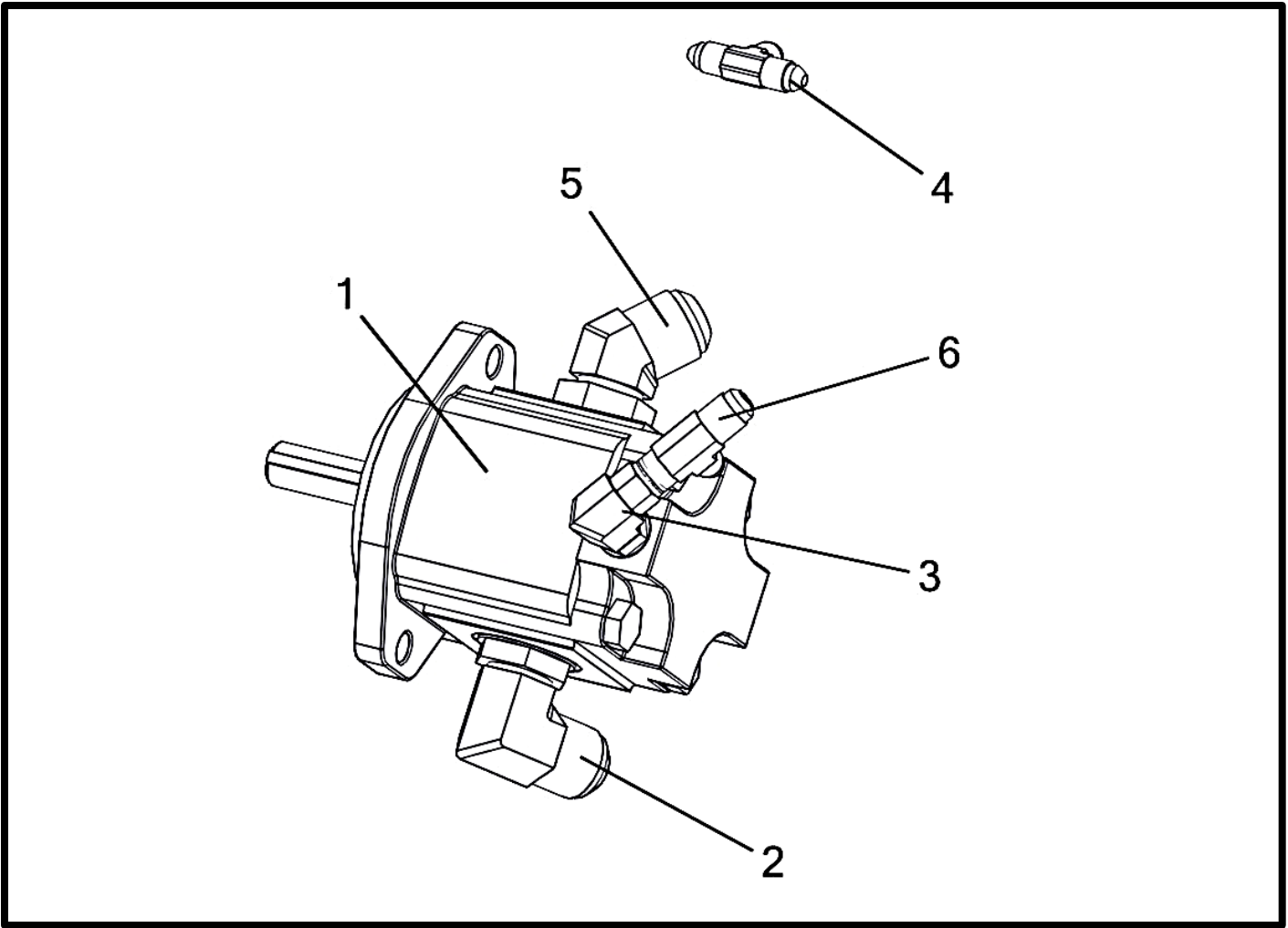


## Hydraulics – 3 Section Hoses (Non-Fan End)

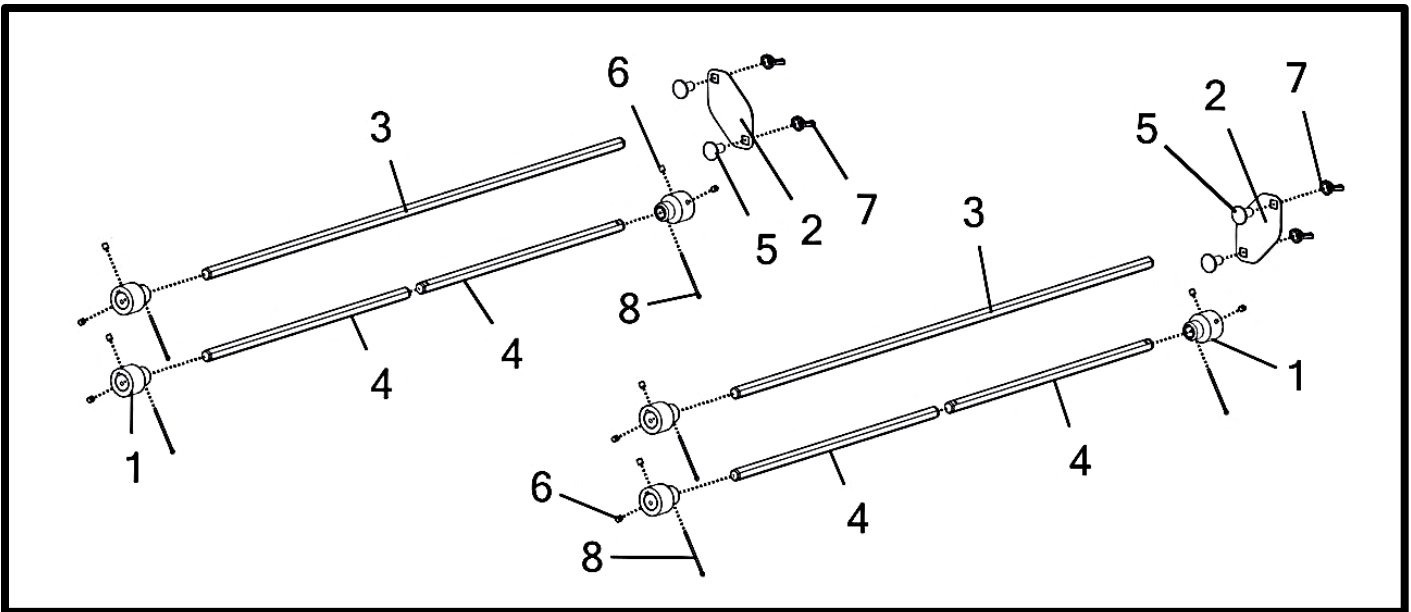
Item No.	Qty	Part Number	Description
1	1	P000912 (C2)	Hose - Hyd - 1/2" x 75" (#10 F JIC x #10 F JIC)
2	1	P002200 (D1)	Hose - Hyd - 1/2" x 97" (#10 F JIC x #10 F JIC)
3	1	P002200	Hose - Hyd - 1/2" x 97" (#10 F JIC x #10 F JIC)
4	1	P002200 (D2)	Hose - Hyd - 1/2" x 97" (#10 F JIC x #10 F JIC)
5	1	P002200	Hose - Hyd - 1/2" x 97" (#10 F JIC x #10 F JIC)
6	1	P002201	Hose - Hyd - 1/4" x 61" (#4 F JIC x #4 F JIC)
7	1	P002412	Hose - Hyd - 1/4" x 25" (#4 F JIC x #4 F JIC)
8	1	P002412	Hose - Hyd - 1/4" x 25" (#4 F JIC x #4 F JIC)
9	1	P002412	Hose - Hyd - 1/4" x 25" (#4 F JIC x #4 F JIC)
10	1	P002412	Hose - Hyd - 1/4" x 25" (#4 F JIC x #4 F JIC)
11	1	P002419	Hose - Hyd - 1/2" X 25" (#10 F JIC X #10 F JIC)
12	1	P002419	Hose - Hyd - 1/2" X 25" (#10 F JIC X #10 F JIC)
13	1	P002419	Hose - Hyd - 1/2" X 25" (#10 F JIC X #10 F JIC)
14	1	P002419	Hose - Hyd - 1/2" X 25" (#10 F JIC X #10 F JIC)
15	1	P002422 (C1)	Hose - Hyd - 1/2" x 48" (#10 F JIC x #10 F JIC)
16	1	P002601	Hose - Hyd - 3/8" x 39" (#6 F JIC x #6 F JIC)
17	1	P002601	Hose - Hyd - 3/8" x 39" (#6 F JIC x #6 F JIC)
18	1	P002670	Hose - Hyd - 1/4" x 20" (#4 F JIC x #4 F JIC)
19	1	P002670	Hose - Hyd - 1/4" x 20" (#4 F JIC x #4 F JIC)
20	1	P002670	Hose - Hyd - 1/4" x 20" (#4 F JIC x #4 F JIC)
21	1	P002936 (B)	Hose - Hyd - 3/4" x 43" (#12 F JIC x #12 F JIC)
22	1	P002936 (A)	Hose - Hyd - 3/4" x 43" (#12 F JIC x #12 F JIC)
23	1	P002937 (E)	Hose - Hyd - 3/8" x 36" (#6 F JIC x #6 F JIC)
24	1	P002937 (F)	Hose - Hyd - 3/8" x 36" (#6 F JIC x #6 F JIC)
25	1	P002938 (CD)	Hose - Hyd - 3/8" x 42" (#6 F JIC x #6 F JIC)



### 3 & 4 Section Slide Gate Cylinders, Fan Motor, and Tee Fitting



### 3 Section Drive Shafts



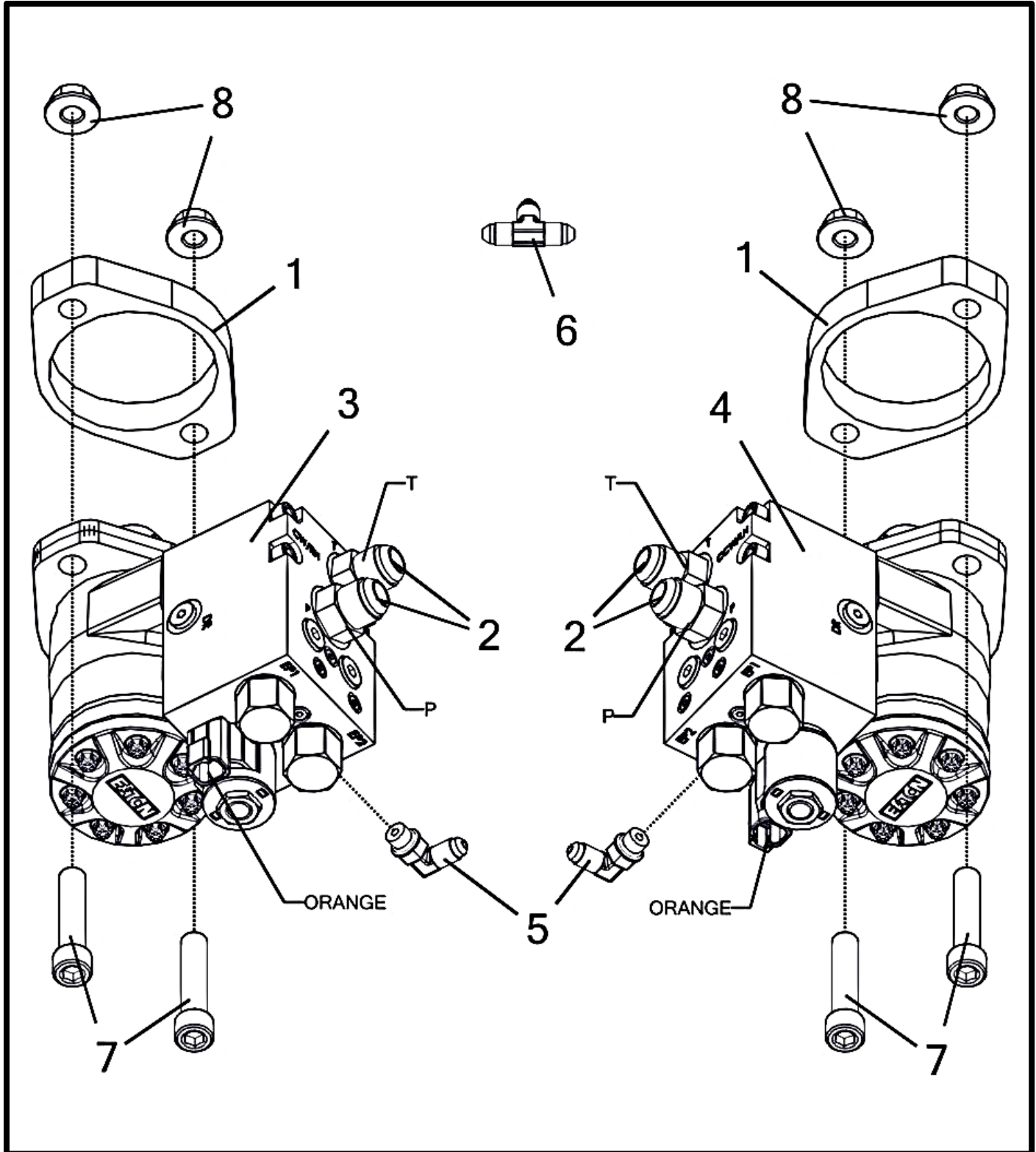
### 3 & 4 Section Slide Gate Cylinders, Fan Motor, and Tee Fitting

Item No.	Qty	Part Number	Description
1	1	P000306	Motor - Parker 8 & 12 Row Fan (313) 334-9219-313
2	1	P000385	Fitting - Hyd - #12 M JIC x #12 M O-Ring Elbow 90 (6801-12-12)
		P002585	O-Ring - #12 Buna (4000-12)
3	1	P000390	Fitting - Hyd - #6 M O-Ring x #6 M JIC Elbow 90 (6801-06-06)
		P002582	O-Ring - #6 Buna (4000-06)
4	1	P000922	Fitting - Hyd - 1&2&3=#4 M JIC Tee (2603-04-04-04)
5	1	P002610	Fitting - Hyd - #12 M O-Ring x #12 M JIC Elbow 45
		P002585	O-Ring - #12 Buna (4000-12)
6	1	P002940	Fitting - Hyd - 1=#6 M JIC, 2=#6 F JIC, 3=#4 M JIC Tee (6602-06-06-04)

### 3 Section Drive Shafts

Item No.	Qty	Part Number	Description
1	6	M002152	Coupler - 1" Round w/ Keyway to 5/8" Hex Shaft
2	2	M002272	Plate - Gear Box Drive Shaft Cover Shield
3	2	M002441	Shaft - 5/8" Gen 2 Mini Long Drive"
4	4	M002602	Shaft - 5/8" Gen 2 Mini Drive (Half)
5	4	P000638	Bolt - 1/2-13 x 1 x 1 Carriage (F593 304 S/S FB)
6	12	P000785	Set Screw - 5/16-18 x 5/16" UNC
7	4	P000911	Nut - 1/2-13 UNC Wing (Nylon)
8	6	P002013	Cotter Pin - 1/8" x 2.64" (S/S)

### 3 Section Rear Drive Motors and Tee Fitting (Non-Fan End)



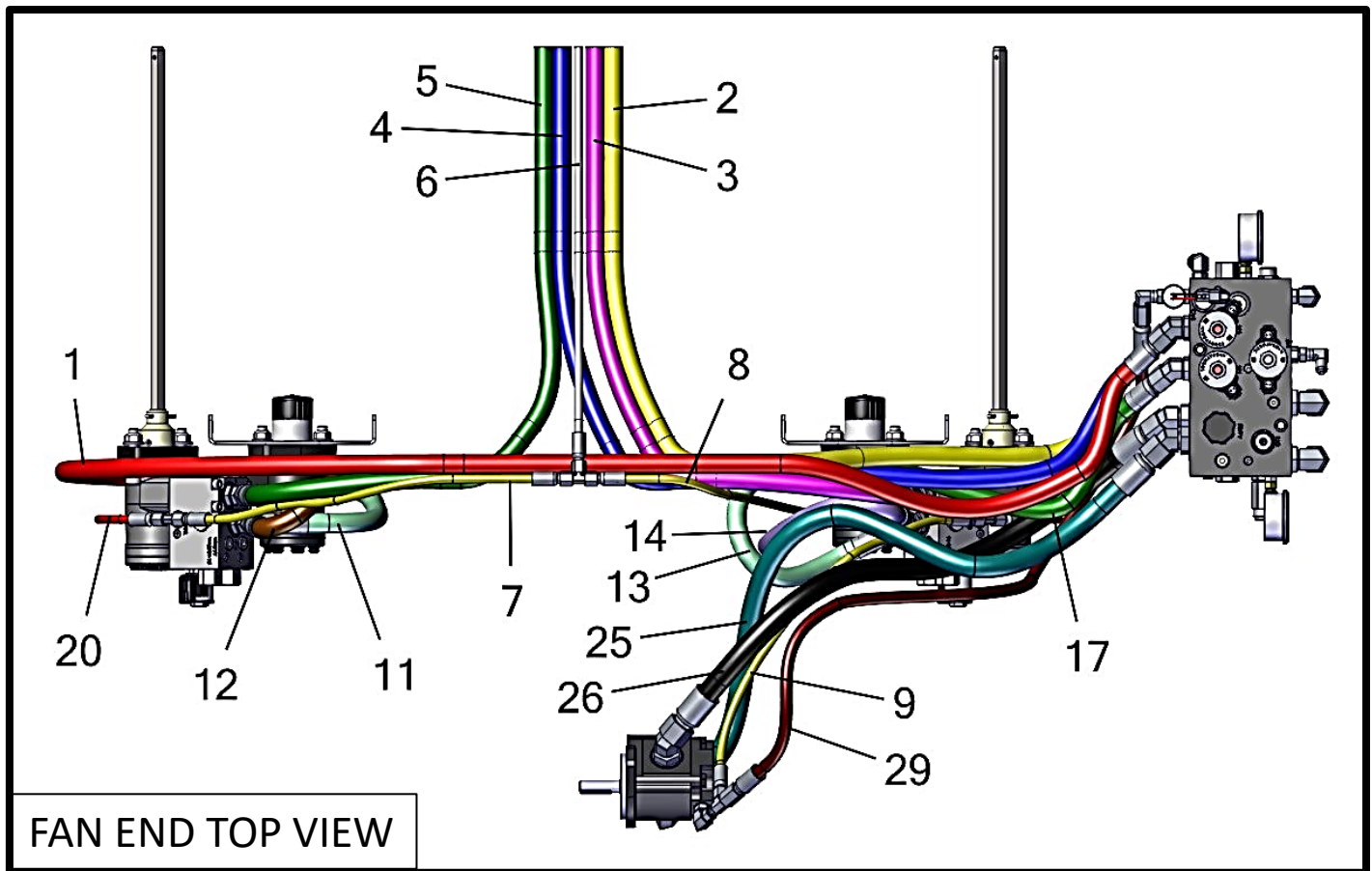
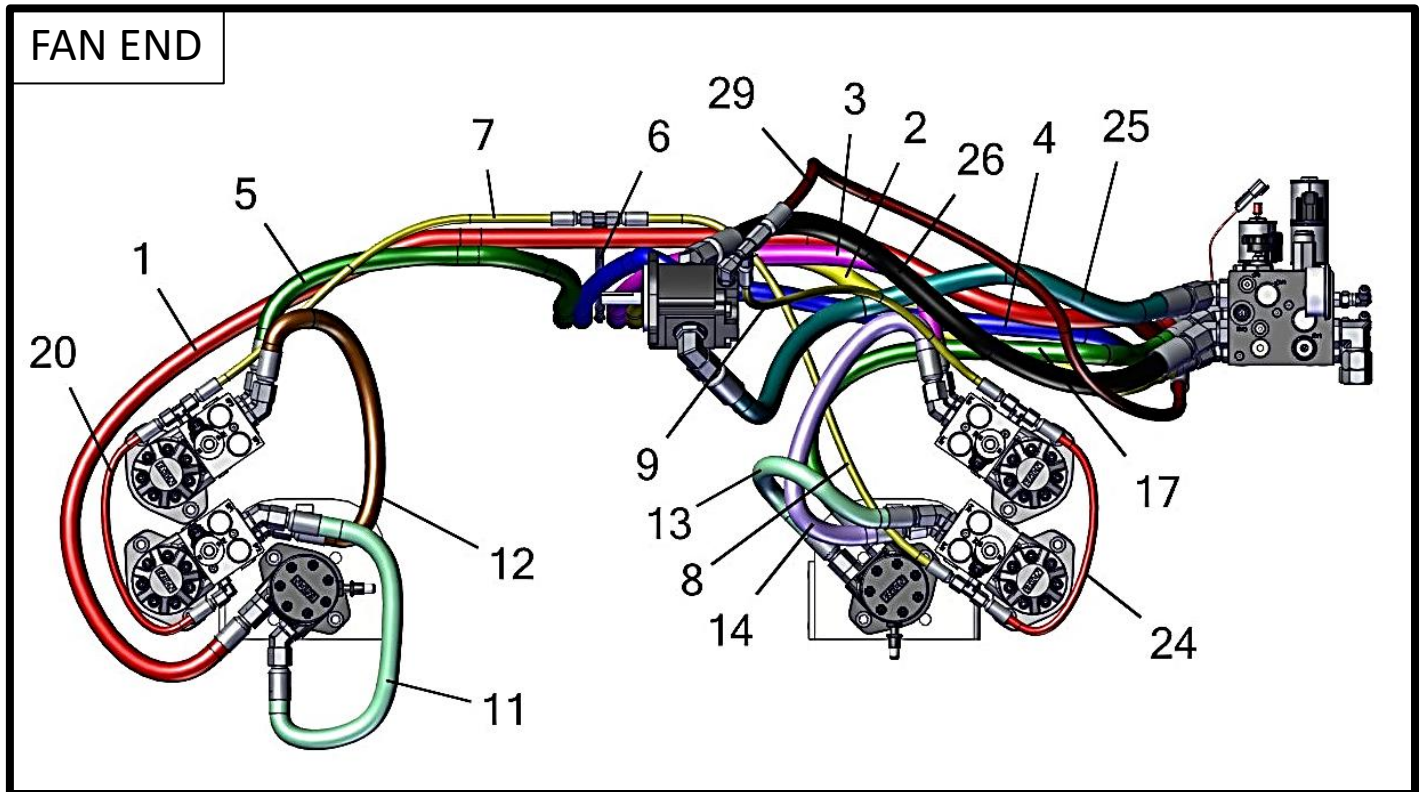
### 3 Section Rear Drive Motors and Tee Fitting (Non-Fan End)

Item No.	Qty	Part Number	Description
1	2	M002604__	Plate - Motor Spacer (3/4")
2	4	P000836	Fitting - Hyd - #10 M O-Ring x #10 M JIC Straight
		P002584	O-Ring - #10 Buna (4000-10)
3	1	P000881 *	Motor - Hyd. 4.5 CU/IN Char-Lynn Single Poppet Valve (CW) (MA2783-15)
4	1	P000882 *	Motor - Hyd. 4.5 CU/IN Char-Lynn Single Poppet Valve (CCW) (MA2784-15)
5	2	P000917	Fitting - Hyd - #4 M O-Ring x #4 M JIC Elbow 90
		P002581	O-Ring - #4 Buna (4000-04)
6	1	P000922	Fitting - Hyd - 1&2&3=#4 M JIC Tee (2603-04-04-04)
7	4	P002235	Bolt - 1/2-13 x 2.25 x 1.25 Socket Head (F593 304 S/S FB)
8	4	P002226	Nut - 1/2-13 Flange Nylon Lock (18-8 S/S FB)

**\*See Pg. 140-141 for P000881 Breakdown**

**\*See Pg. 142-143 for P000882 Breakdown**

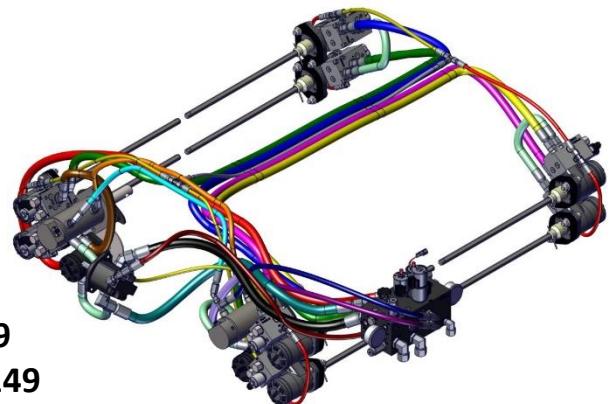
### Hydraulics – 4 Section Hoses (Fan End)





## Hydraulics – 4 Section Hoses (Fan End)

Item No.	Qty	Part Number	Description
1	1	P000912 (C2)	Hose - Hyd - 1/2" x 75" (#10 F JIC x #10 F JIC)
2	1	P002200 (D1)	Hose - Hyd - 1/2" x 97" (#10 F JIC x #10 F JIC)
3	1	P002200	Hose - Hyd - 1/2" x 97" (#10 F JIC x #10 F JIC)
4	1	P002200 (D2)	Hose - Hyd - 1/2" x 97" (#10 F JIC x #10 F JIC)
5	1	P002200	Hose - Hyd - 1/2" x 97" (#10 F JIC x #10 F JIC)
6	1	P002201	Hose - Hyd - 1/4" x 61" (#4 F JIC x #4 F JIC)
7	1	P002412	Hose - Hyd - 1/4" x 25" (#4 F JIC x #4 F JIC)
8	1	P002412	Hose - Hyd - 1/4" x 25" (#4 F JIC x #4 F JIC)
9	1	P002412	Hose - Hyd - 1/4" x 25" (#4 F JIC x #4 F JIC)
10	1	P002412	Hose - Hyd - 1/4" x 25" (#4 F JIC x #4 F JIC)
11	1	P002419	Hose - Hyd - 1/2" X 25" (#10 F JIC X #10 F JIC)
12	1	P002419	Hose - Hyd - 1/2" X 25" (#10 F JIC X #10 F JIC)
13	1	P002419	Hose - Hyd - 1/2" X 25" (#10 F JIC X #10 F JIC)
14	1	P002419	Hose - Hyd - 1/2" X 25" (#10 F JIC X #10 F JIC)
15	1	P002419	Hose - Hyd - 1/2" X 25" (#10 F JIC X #10 F JIC)
16	1	P002419	Hose - Hyd - 1/2" X 25" (#10 F JIC X #10 F JIC)
17	1	P002422 (D1)	Hose - Hyd - 1/2" x 48" (#10 F JIC x #10 F JIC)
18	1	P002601	Hose - Hyd - 3/8" x 39" (#6 F JIC x #6 F JIC)
19	1	P002601	Hose - Hyd - 3/8" x 39" (#6 F JIC x #6 F JIC)
20	1	P002670	Hose - Hyd - 1/4" x 20" (#4 F JIC x #4 F JIC)
21	1	P002670	Hose - Hyd - 1/4" x 20" (#4 F JIC x #4 F JIC)
22	1	P002670	Hose - Hyd - 1/4" x 20" (#4 F JIC x #4 F JIC)
23	1	P002670	Hose - Hyd - 1/4" x 20" (#4 F JIC x #4 F JIC)
24	1	P002670	Hose - Hyd - 1/4" x 20" (#4 F JIC x #4 F JIC)
25	1	P002936 (B)	Hose - Hyd - 3/4" x 43" (#12 F JIC x #12 F JIC)
26	1	P002936 (A)	Hose - Hyd - 3/4" x 43" (#12 F JIC x #12 F JIC)
27	1	P002937 (E)	Hose - Hyd - 3/8" x 36" (#6 F JIC x #6 F JIC)
28	1	P002937 (F)	Hose - Hyd - 3/8" x 36" (#6 F JIC x #6 F JIC)
29	1	P002938 (CD)	Hose - Hyd - 3/8" x 42" (#6 F JIC x #6 F JIC)



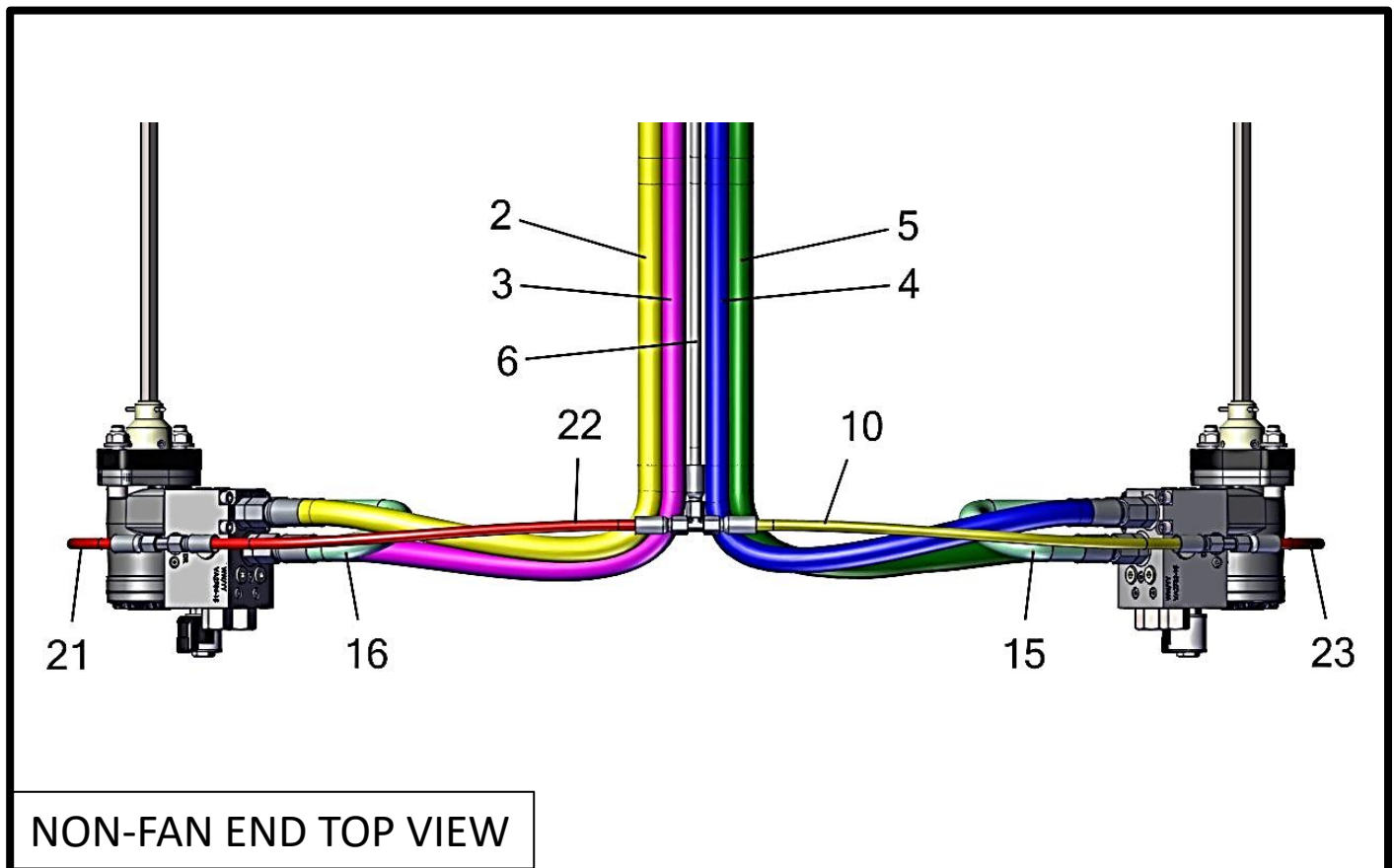
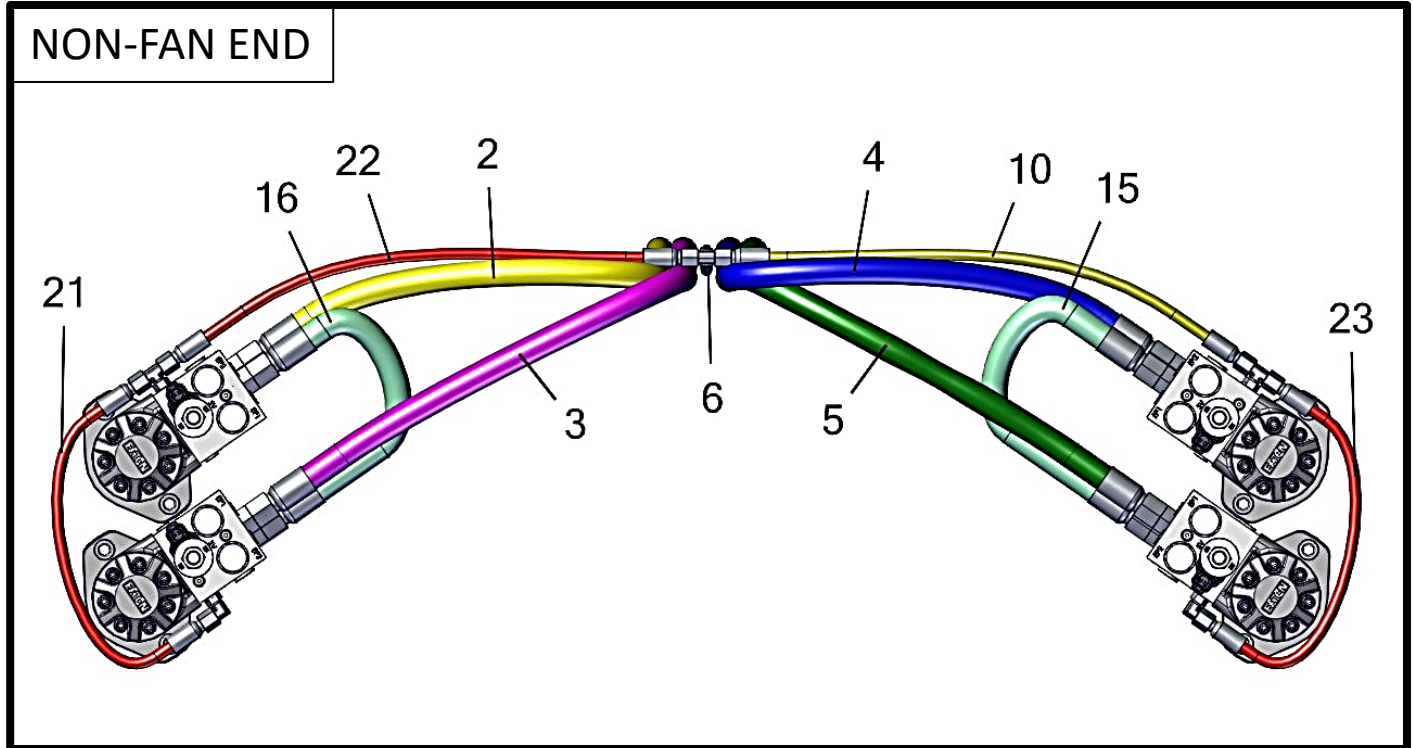
**4 Section Also Requires:**

**Hydraulic Block – pg. 126-129**

**Fan-End Motors / Speed Sensor – pg. 136-139**

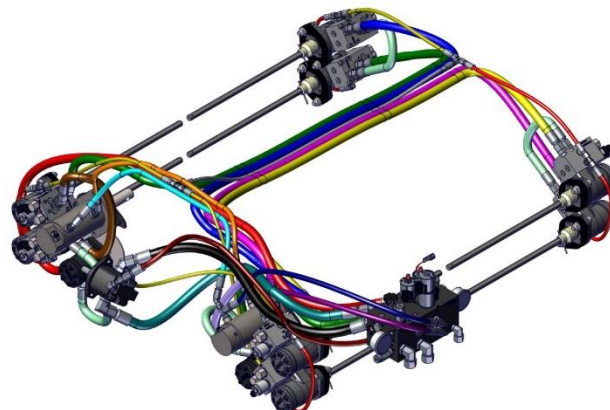
**Slide Gate Cylinders and Center Tee – pg. 148-149**

### Hydraulics – 4 Section Hoses (Non-Fan End)

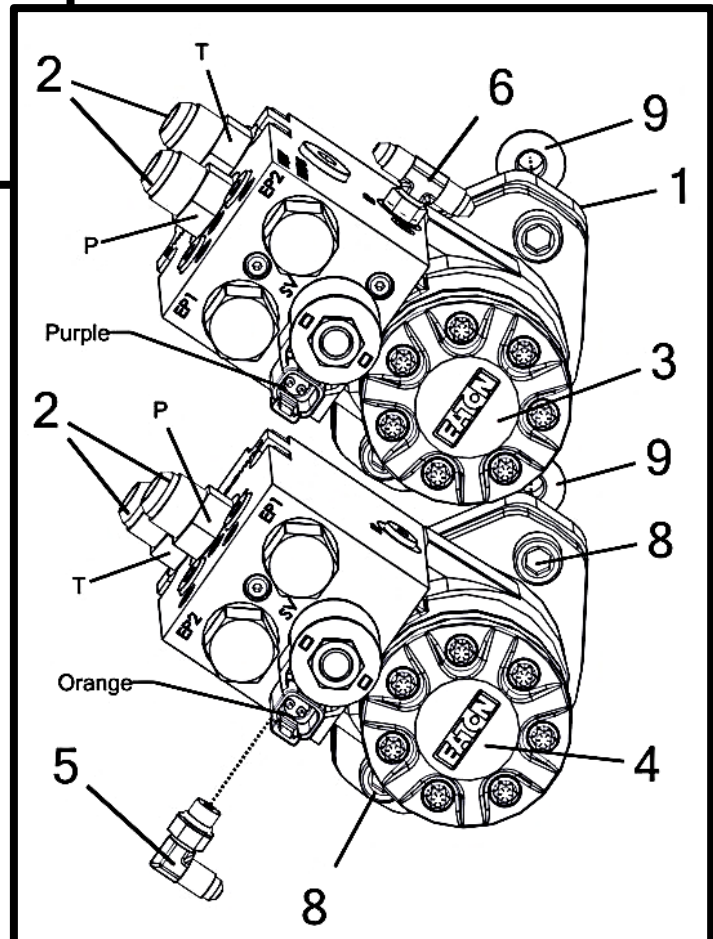
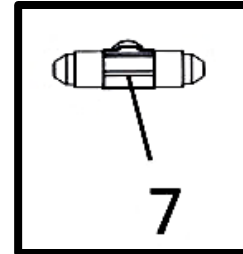
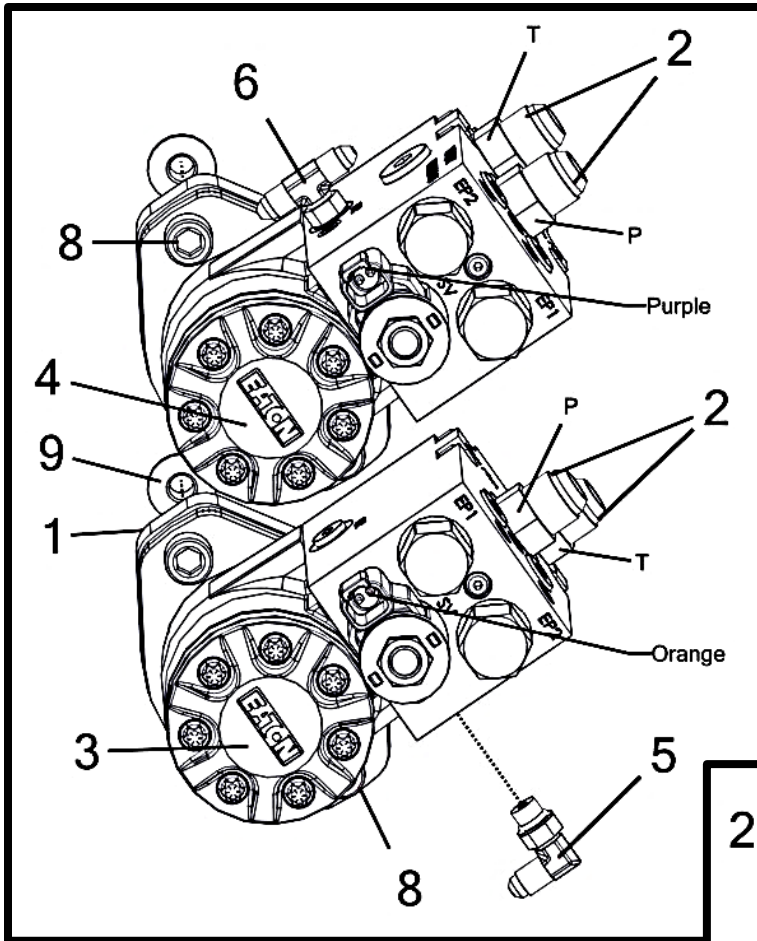


## Hydraulics – 4 Section Hoses (Non-Fan End)

Item No.	Qty	Part Number	Description
1	1	P000912 (C2)	Hose - Hyd - 1/2" x 75" (#10 F JIC x #10 F JIC)
2	1	P002200 (D1)	Hose - Hyd - 1/2" x 97" (#10 F JIC x #10 F JIC)
3	1	P002200	Hose - Hyd - 1/2" x 97" (#10 F JIC x #10 F JIC)
4	1	P002200 (D2)	Hose - Hyd - 1/2" x 97" (#10 F JIC x #10 F JIC)
5	1	P002200	Hose - Hyd - 1/2" x 97" (#10 F JIC x #10 F JIC)
6	1	P002201	Hose - Hyd - 1/4" x 61" (#4 F JIC x #4 F JIC)
7	1	P002412	Hose - Hyd - 1/4" x 25" (#4 F JIC x #4 F JIC)
8	1	P002412	Hose - Hyd - 1/4" x 25" (#4 F JIC x #4 F JIC)
9	1	P002412	Hose - Hyd - 1/4" x 25" (#4 F JIC x #4 F JIC)
10	1	P002412	Hose - Hyd - 1/4" x 25" (#4 F JIC x #4 F JIC)
11	1	P002419	Hose - Hyd - 1/2" X 25" (#10 F JIC X #10 F JIC)
12	1	P002419	Hose - Hyd - 1/2" X 25" (#10 F JIC X #10 F JIC)
13	1	P002419	Hose - Hyd - 1/2" X 25" (#10 F JIC X #10 F JIC)
14	1	P002419	Hose - Hyd - 1/2" X 25" (#10 F JIC X #10 F JIC)
15	1	P002419	Hose - Hyd - 1/2" X 25" (#10 F JIC X #10 F JIC)
16	1	P002419	Hose - Hyd - 1/2" X 25" (#10 F JIC X #10 F JIC)
17	1	P002422 (D1)	Hose - Hyd - 1/2" x 48" (#10 F JIC x #10 F JIC)
18	1	P002601	Hose - Hyd - 3/8" x 39" (#6 F JIC x #6 F JIC)
19	1	P002601	Hose - Hyd - 3/8" x 39" (#6 F JIC x #6 F JIC)
20	1	P002670	Hose - Hyd - 1/4" x 20" (#4 F JIC x #4 F JIC)
21	1	P002670	Hose - Hyd - 1/4" x 20" (#4 F JIC x #4 F JIC)
22	1	P002670	Hose - Hyd - 1/4" x 20" (#4 F JIC x #4 F JIC)
23	1	P002670	Hose - Hyd - 1/4" x 20" (#4 F JIC x #4 F JIC)
24	1	P002670	Hose - Hyd - 1/4" x 20" (#4 F JIC x #4 F JIC)
25	1	P002936 (B)	Hose - Hyd - 3/4" x 43" (#12 F JIC x #12 F JIC)
26	1	P002936 (A)	Hose - Hyd - 3/4" x 43" (#12 F JIC x #12 F JIC)
27	1	P002937 (E)	Hose - Hyd - 3/8" x 36" (#6 F JIC x #6 F JIC)
28	1	P002937 (F)	Hose - Hyd - 3/8" x 36" (#6 F JIC x #6 F JIC)
29	1	P002938 (CD)	Hose - Hyd - 3/8" x 42" (#6 F JIC x #6 F JIC)



### 4 Section Rear Drive Motors and Tee Fitting (Non-Fan End)



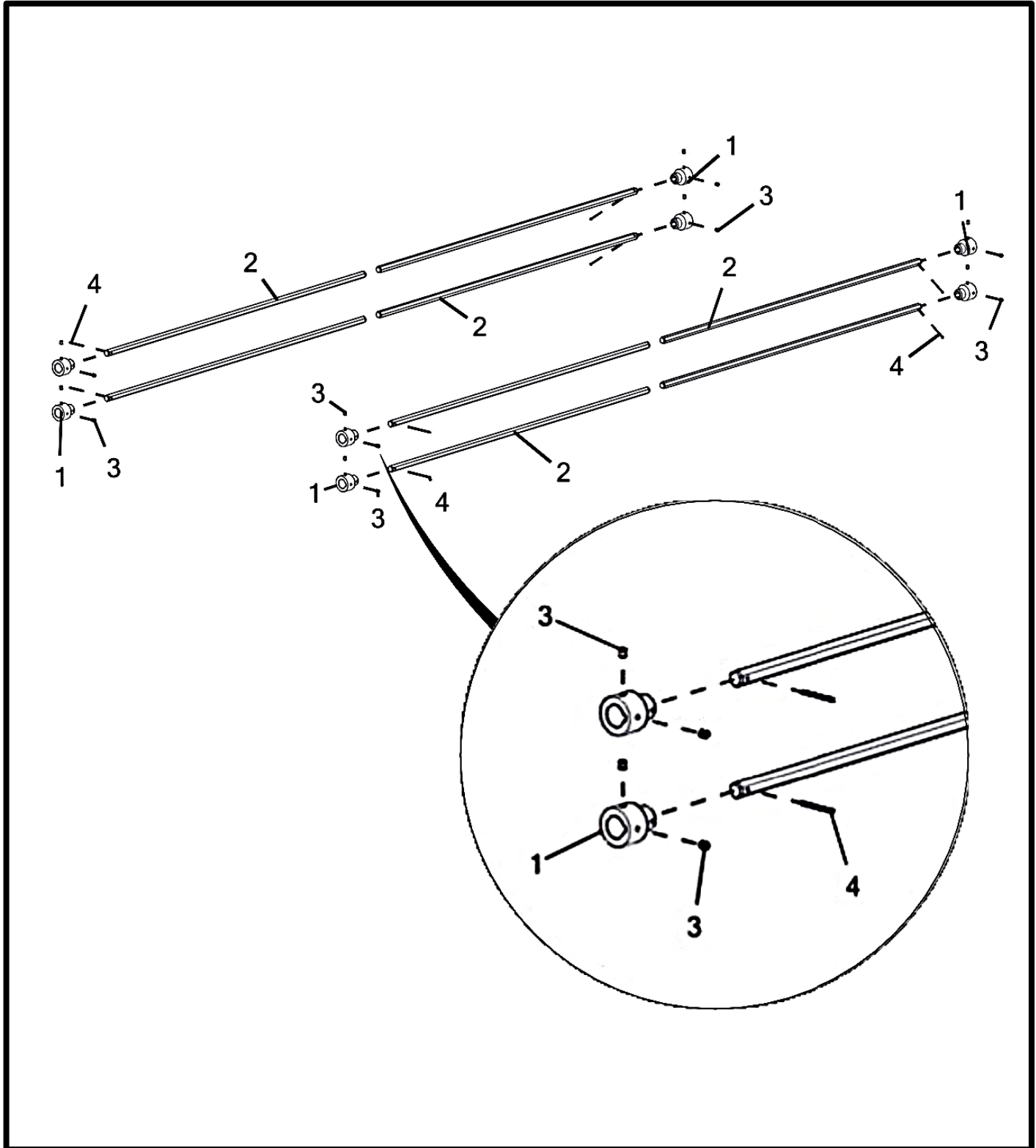
## 4 Section Rear Drive Motors and Tee Fitting (Non-Fan End)

Item No.	Qty	Part Number	Description
1	4	M002604__	Plate - Motor Spacer (3/4")
2	8	P000836	Fitting - Hyd - #10 M O-Ring x #10 M JIC Straight
		P002584	O-Ring - #10 Buna (4000-10)
3	2	P000881	Motor - Hyd. 4.5 CU/IN Char-Lynn Single Poppet Valve (CW) (MA2783-15)
4	2	P000882	Motor - Hyd. 4.5 CU/IN Char-Lynn Single Poppet Valve (CCW) (MA2784-15)
5	2	P000917	Fitting - Hyd - #4 M O-Ring x #4 M JIC Elbow 90
		P002581	O-Ring - #4 Buna (4000-04)
6	2	P000918	Fitting - Hyd - 1&2=#4 M JIC, 3=#4 M O-Ring Tee
		P002581	O-Ring - #4 Buna (4000-04)
7	1	P000922	Fitting - Hyd - 1&2&3=#4 M JIC Tee (2603-04-04-04)
8	8	P002235	Bolt - 1/2-13 x 2.25 x 1.25 Socket Head (F593 304 S/S FB)
9	8	P002226	Nut - 1/2-13 Flange Nylon Lock (18-8 S/S FB)

**\*See Pg. 140-141 for P000881 Breakdown**

**\*\*See Pg. 142-143 for P000882 Breakdown**

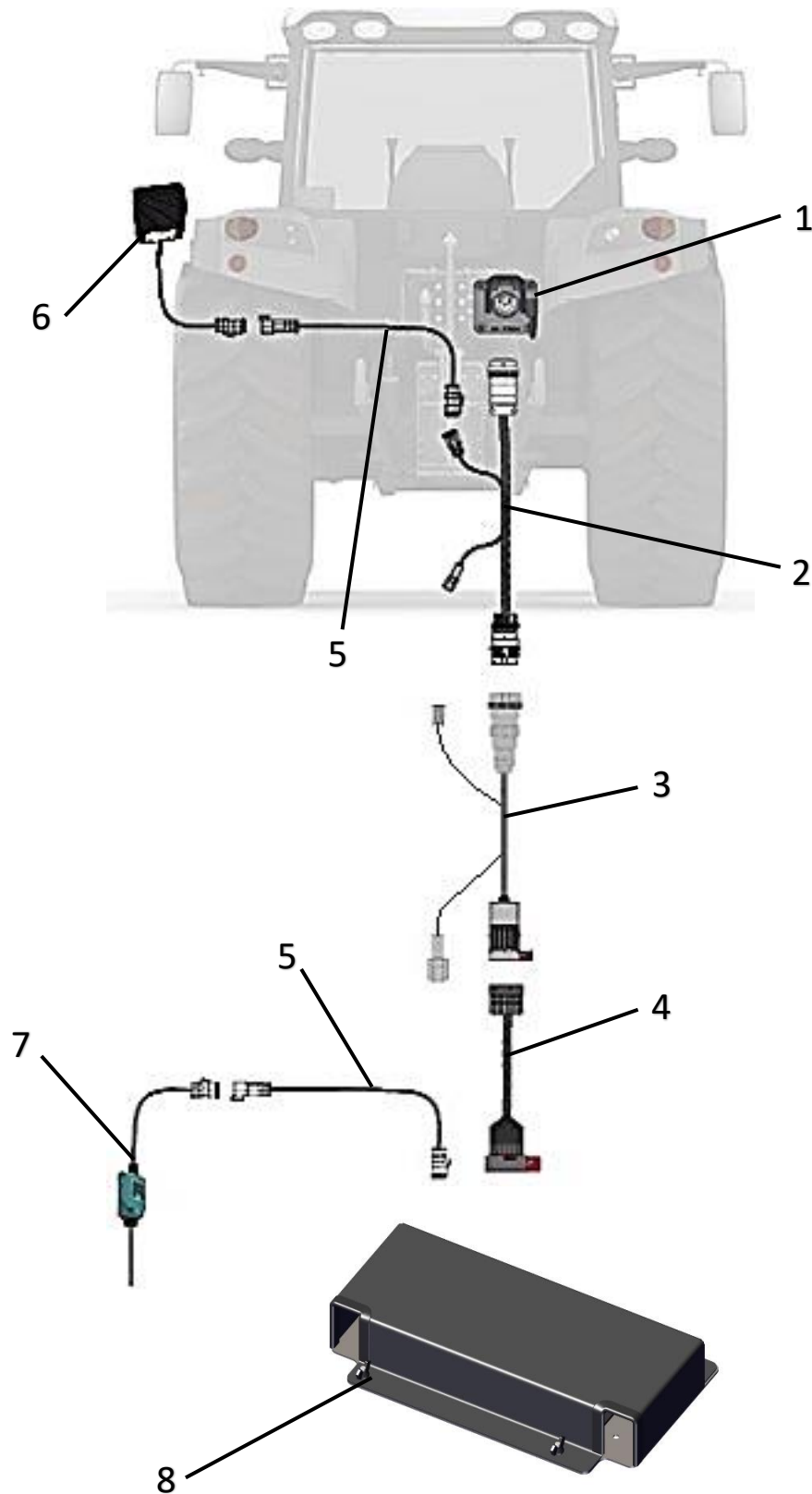
### 4 Section Drive Shafts



## 4 Section Drive Shafts

Item No.	Qty.	Part Number	Description
1	8	M002152	Coupler - 1" Round w/ Keyway to 5/8" Hex Shaft
2	8	M002242	Shaft - 5/8" Short Drive
3	16	P000785	Set Screw - 5/16-18 x 5/16" UNC
4	8	P002013	Cotter Pin - 1/8in x 1.75in (S/S)

## Montag Dry Rate Controller Harness

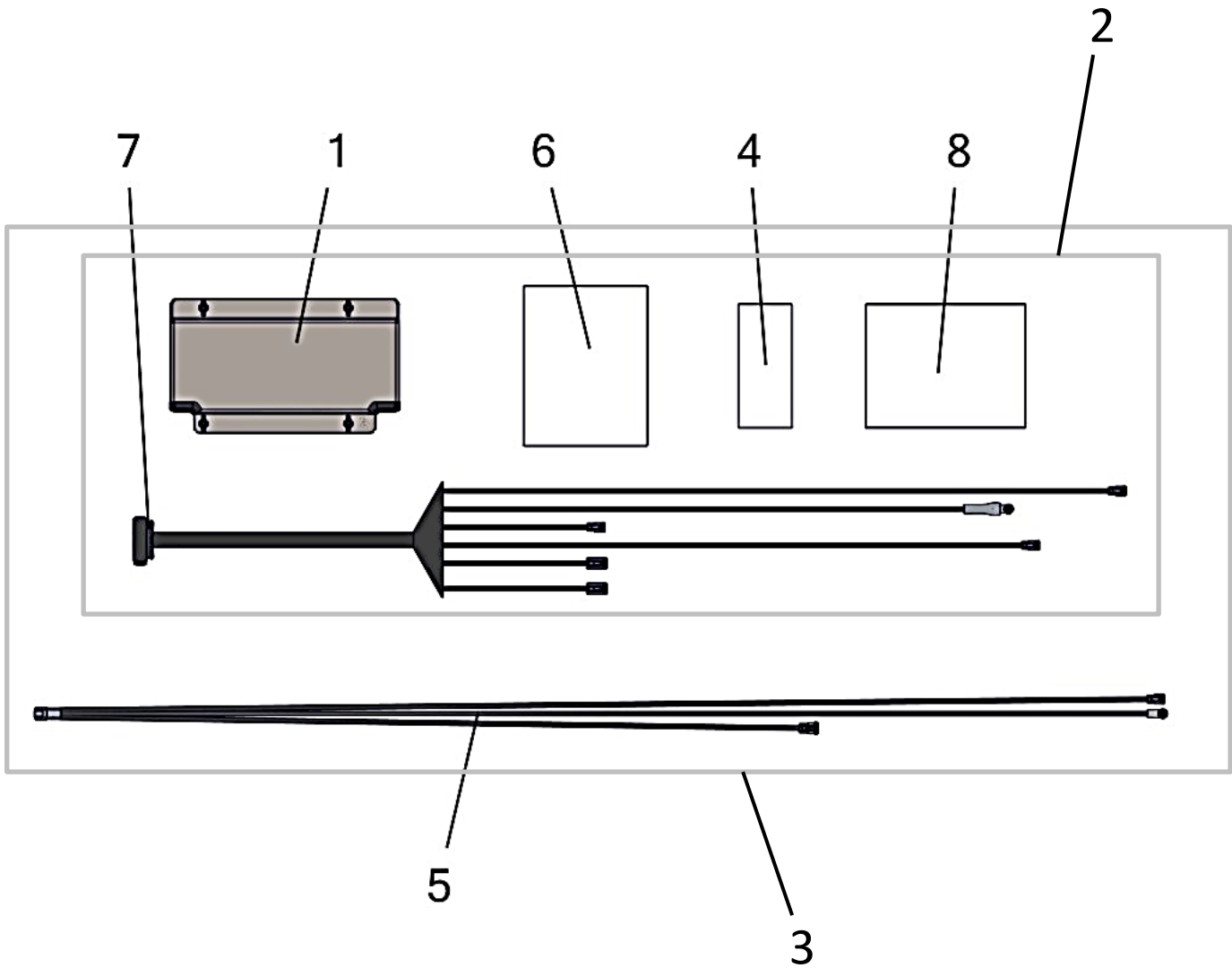




## Montag Dry Rate Controller Harness

ITEM NO.	Description	P/N	Montag P/N
1	Tractor ISO Connection		
2	Harness - ISOBUS To ISOBUS Cable Extension (13')	ME0502040-13	P002423
	Harness - ISOBUS To ISOBUS Cable Extension (28')	ME0502040-28	P002424
	Harness - ISOBUS To ISOBUS Cable Extension (43')	ME0502040-43	P002425
3	Harness - ISOBUS to ECU Cable (13')	ME0502001-13	P002410
	Harness - ISOBUS to ECU Cable (28')	ME0502001-28	P002334
	Harness - ISOBUS to ECU Cable (43')	ME0502001-43	P002395
4	Harness - Main ISOBUS Backbone Extension (13')	ME0502037-13	P002344
	Harness - Main ISOBUS Backbone Extension (28')	ME0502037-28	P002345
	Harness - Main ISOBUS Backbone Extension (43')	ME0502037-43	P002346
5	Harness - Foot Pedal Master Switch Extension (15')	ME052001	P002341
6	Switch - Remote Foot Pedal Master	ME052000	P002340
7	Sensor - Implement Height Switch	ME052003	P002391
8	Kit - Montag ISO 1 Product RC (2X08) w/ 28' Harness		K002384
	Kit - Montag ISO 2 Product RC (2X08) w/ 28' Harness		K002385

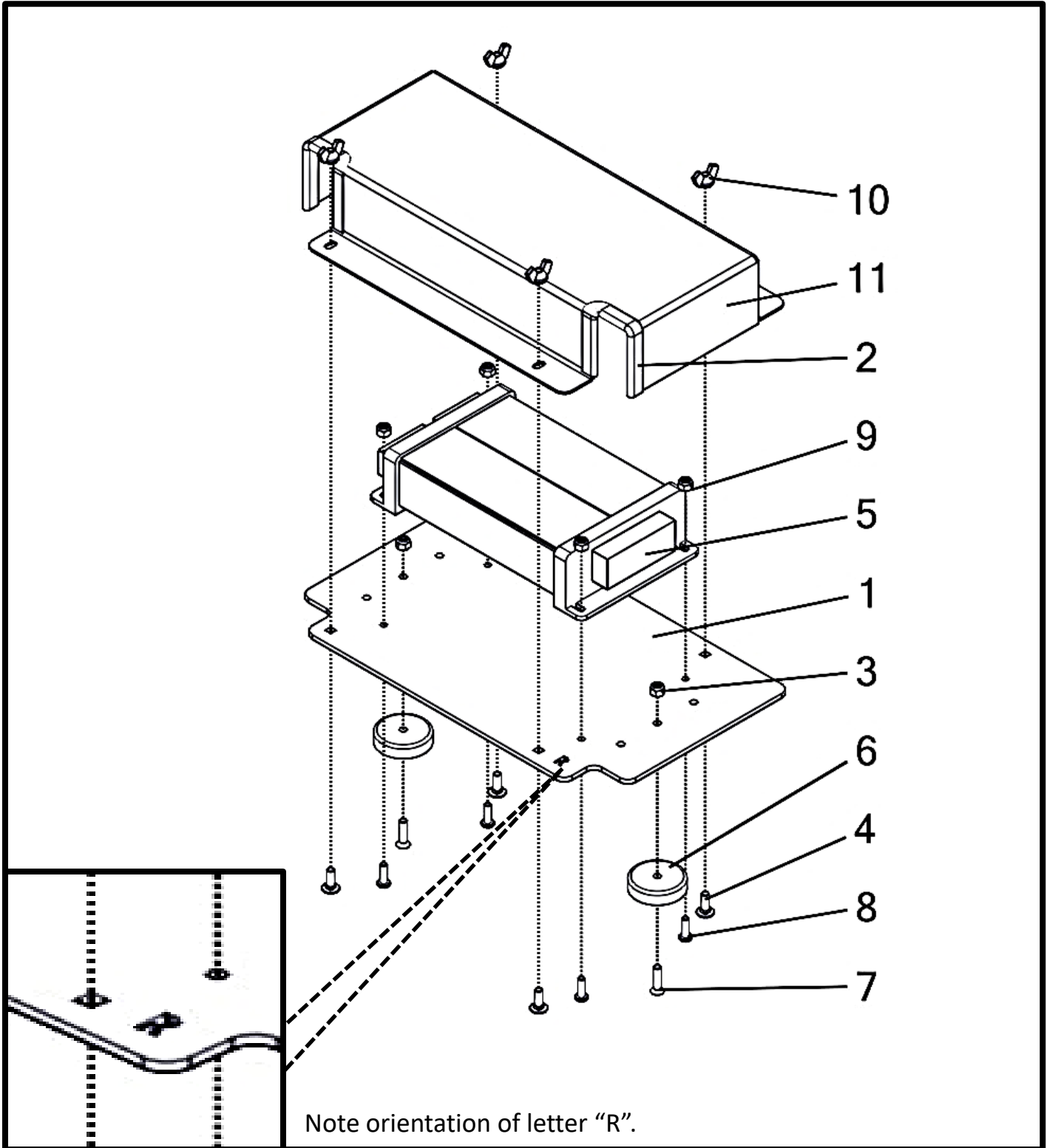
### Rate Controller Kit



## Rate Controller Kit

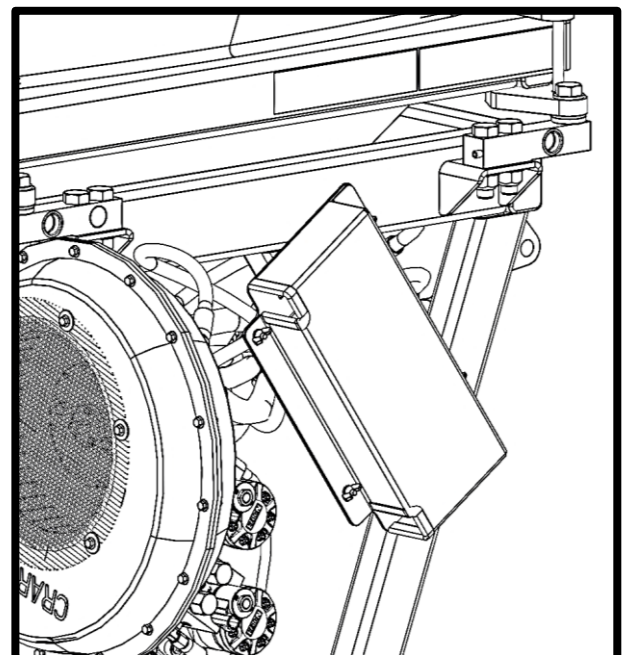
Item No.	Qty	Part Number	Description
1	1	A002430	ECU - Montag Dry Rate Controller w/Mag. Mount
2	1	K002384	Kit - Montag ISO 1 Product RC (2X08) w/ 28' Harness
3	1	K002385	Kit - Montag ISO 2 Product RC (2X08) w/ 28' Harness
4	1	P002957	Document - Montag DRC QR Guide For 2.02.02.00
5	1	P003070	Harness - MDRC ISO 2108/2208 Dual Product Aux.
6	1	P003071	Document - Montag DRC Operation Manual For 02.02.05.00
7	1	P003166	Harness - MDRC ISO 2108/2208 Single Product w/Sections
8	1	P003169	Document - Montag Dry Rate Controller Assembly and Installation Instructions

### ECU - Mount and Enclosure

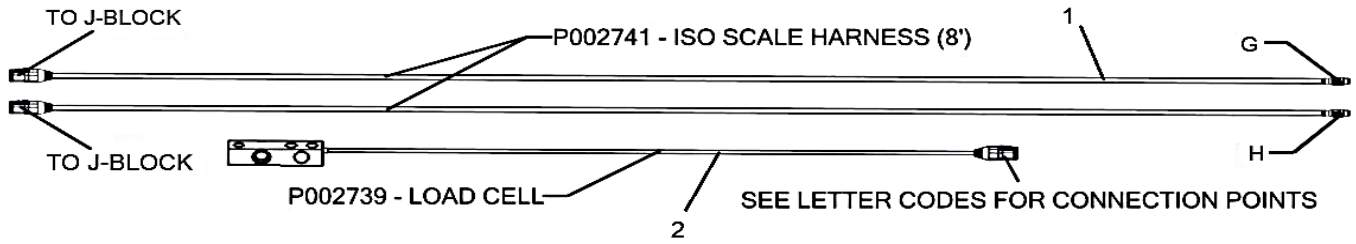


## ECU - Mount and Enclosure

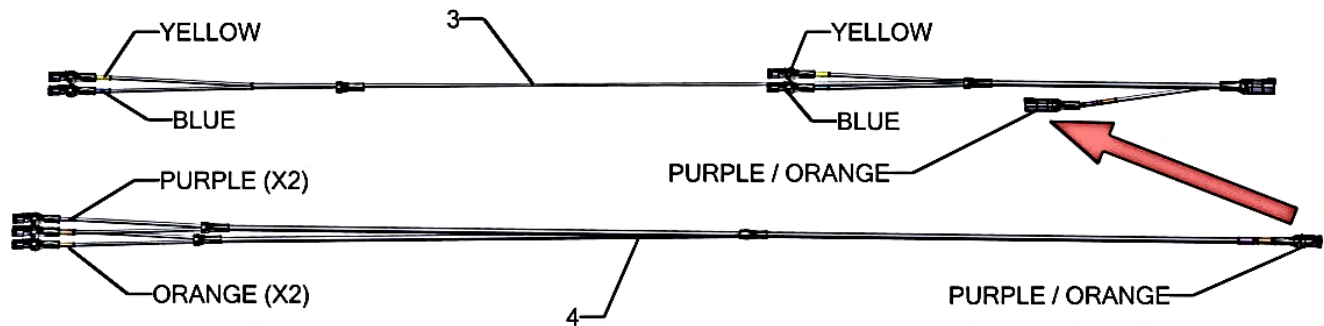
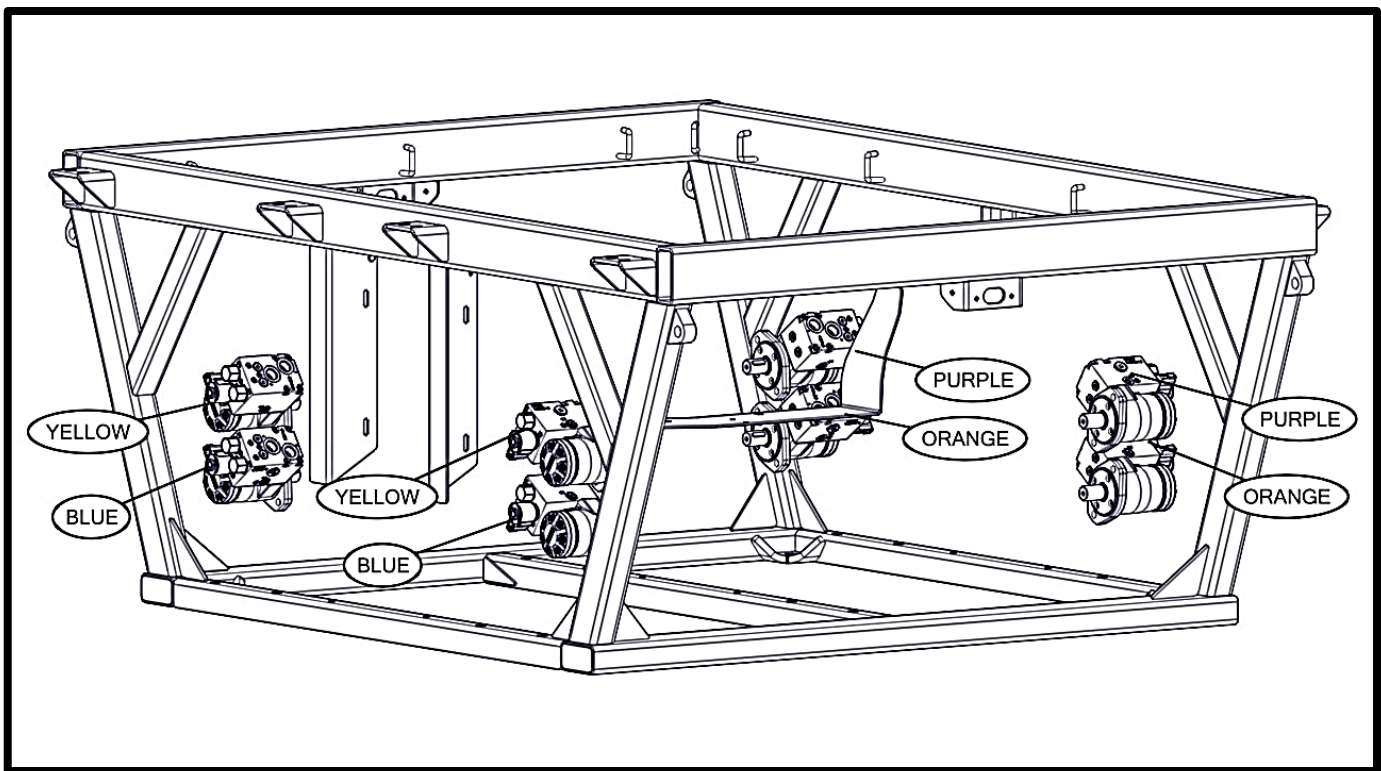
Item No.	Qty	Part Number	Description
		<b>A002430__</b>	<b>ECU - Montag Dry Rate Controller w/Mag. Mount</b>
1	1	M003150__	Bracket - Montag MIDI ECU Mount Plate
2	2	M003151	Trim - ECU Cover Edge (7")
3	2	P000103	Nut - 1/4-20 Hex Nylon Lock (F594 316 S/S FB)
4	4	P000853	Bolt - 1/4-20 x 0.75 x 0.75 Carriage (F593 304 S/S FB)
5	1	P002335	ECU - Montag Dry Rate Controller Gen II (ME0814000)
6	2	P002467	Magnet - 2" X 200 Lbs. (Cup 51)
7	2	P002469	Screw - 1/4-20 x 1 Machine Flat Head Phillips (18-8 S/S FB)
8	4	P002492	Screw - #12-24 x 0.75 Machine Pan Head Phillips (18-8 S/S FB)
9	4	P002493	Nut - #12-24 Hex Nylon Lock (18-8 S/S FB)
10	4	P002791	Nut - 1/4-20 UNC Wing (Nylon)
11	1	W002479__	Shield - Montag ECU Cover
12	1	P002683	Harness - Digi-Star ISO Connection Tee (ME0514013)



## LOAD CELL CONNECTIONS

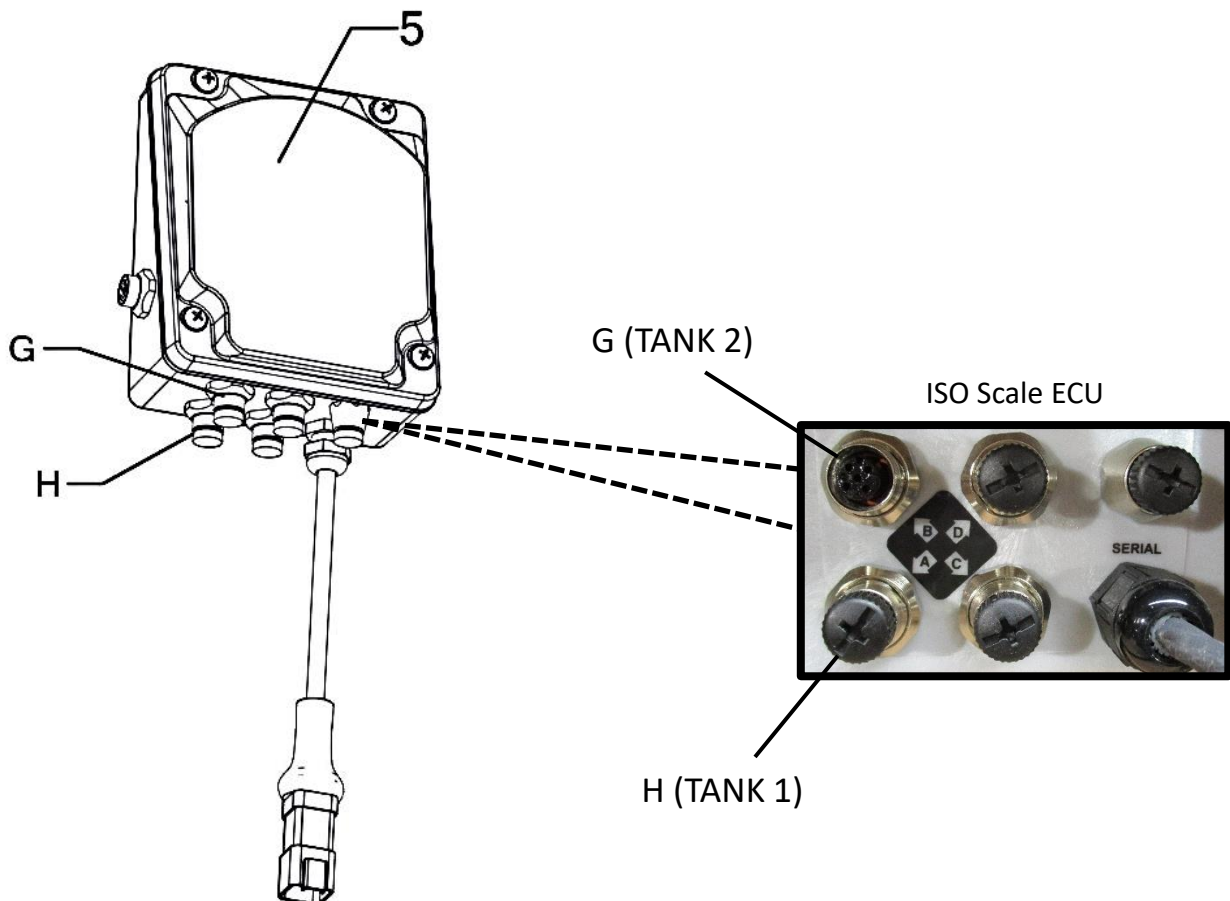


## SECTION CONTROL MOTOR CONNECTIONS

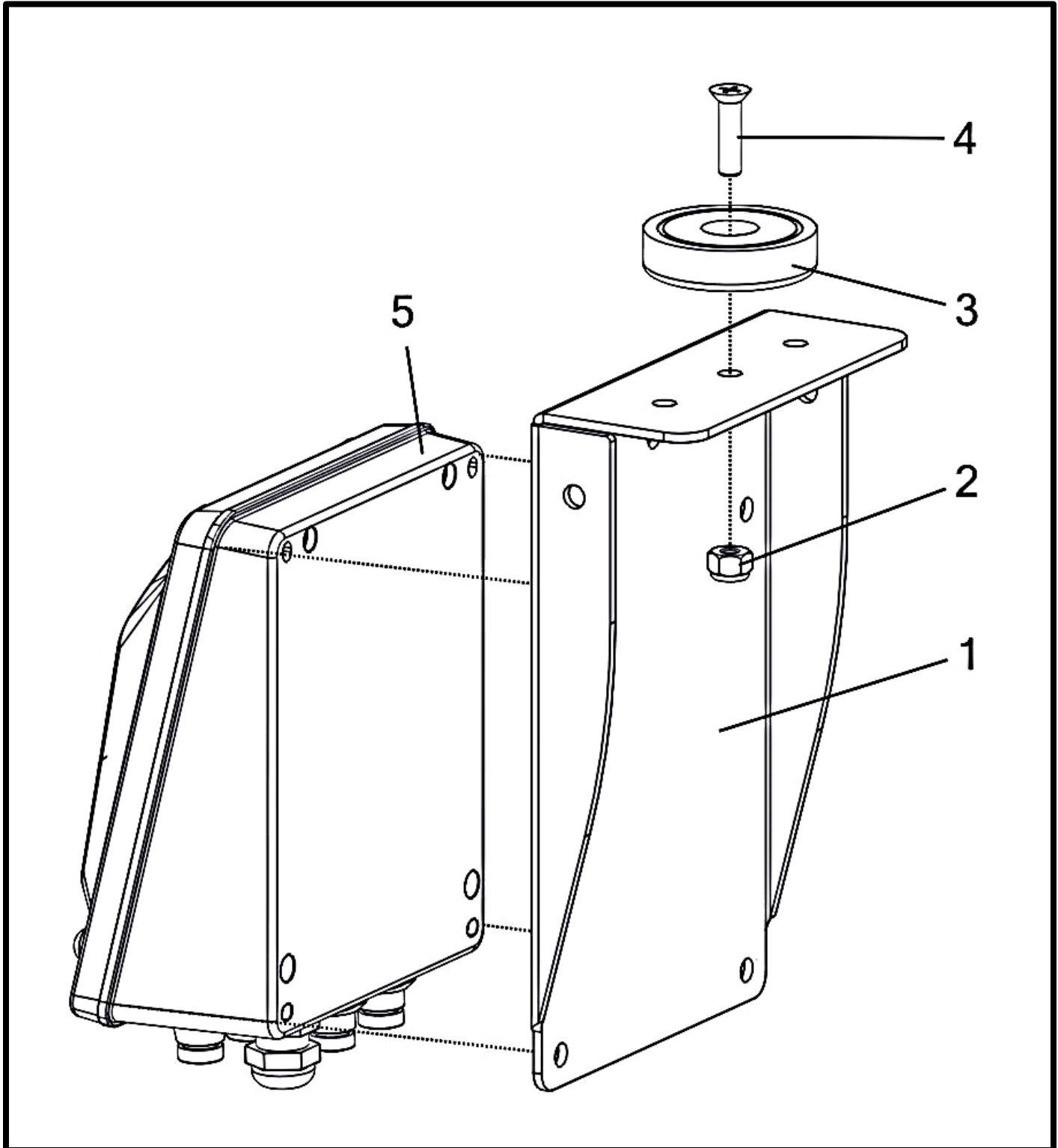


## LOAD CELL AND SECTION CONTROL MOTOR CONNECTIONS

Item No.	Qty.	Part Number	Description
1	2	P002741	Harness - DT06 to M12 ISO Scale (8')
2	1	P002739	Scale - Load Cell (10K) w/DT 6 Pin (14')
3	1	P002280	Harness - Gen 2 Section 2 Single Poppet Valve Control
4	1	P002099	Harness - Gen 2-C Sections 3 & 4 Single Poppet Valve Control
5	1	P002279	Node - Scale Link 2 140 Digi-Star ISO



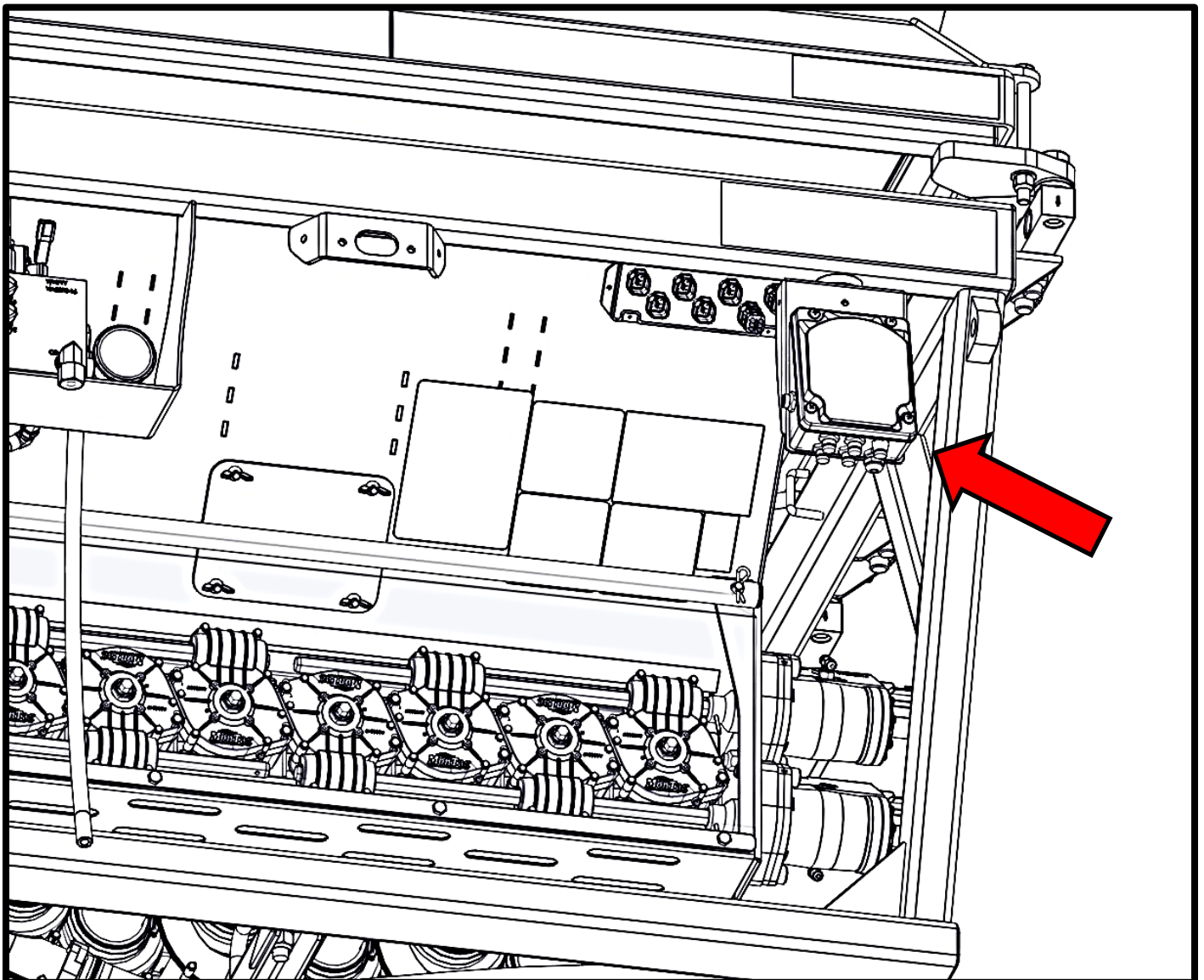
### J-BOX



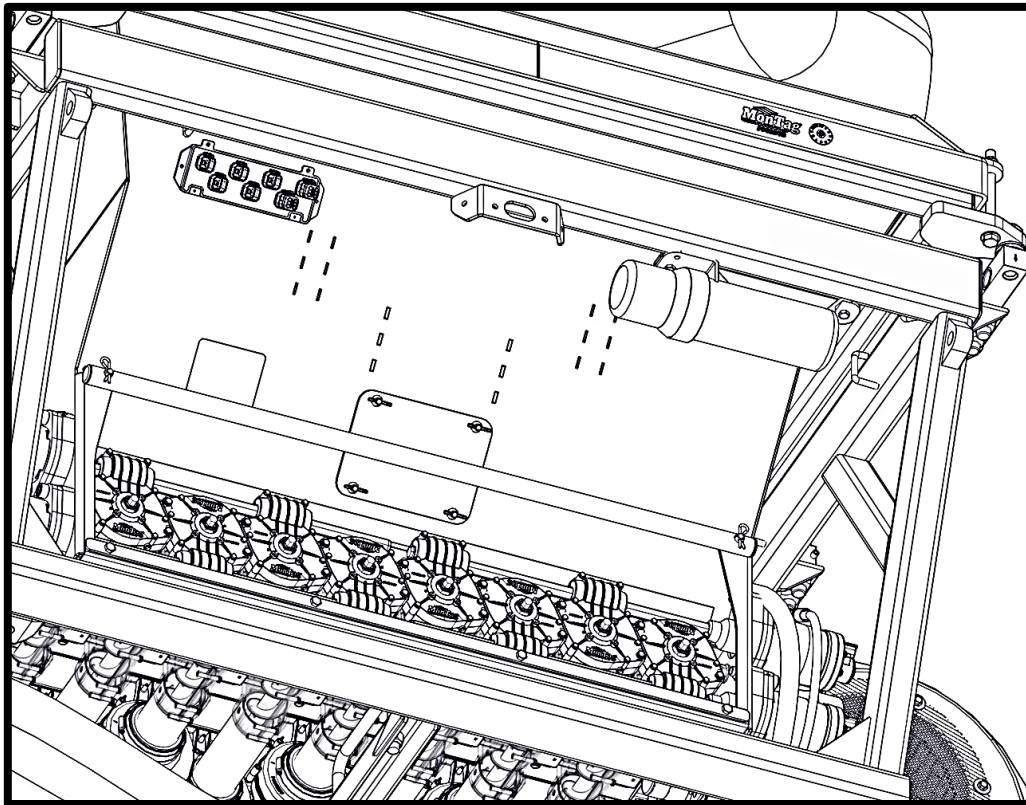


## J-BOX

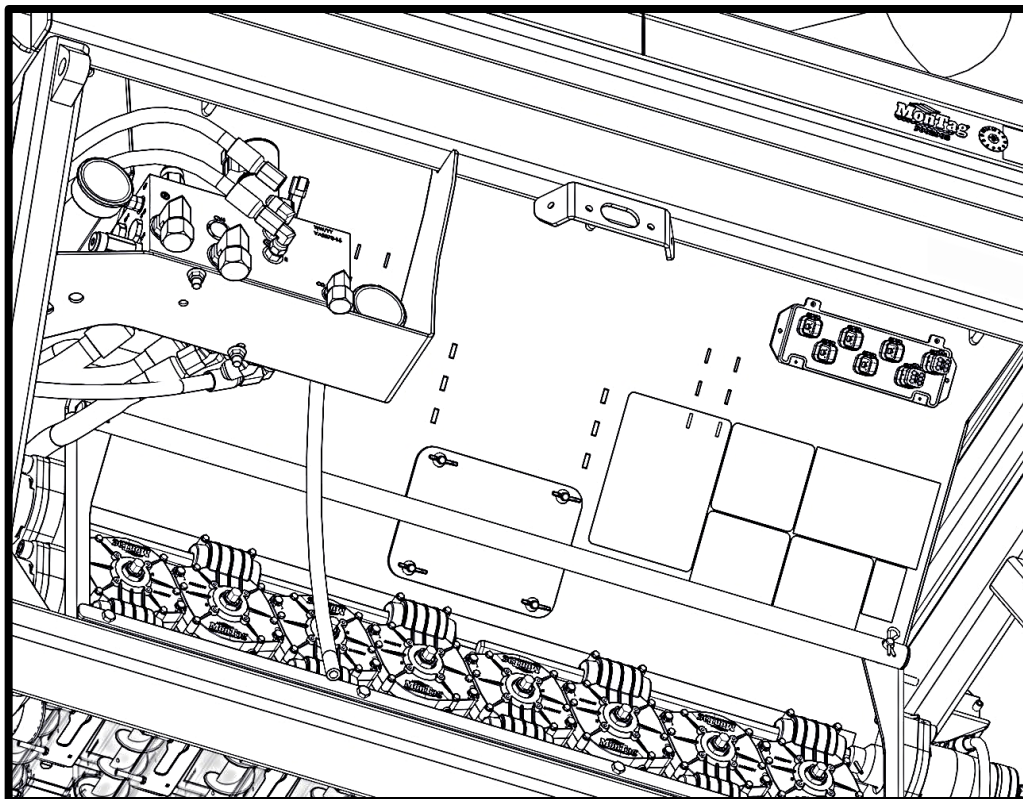
Item No.	Qty	Part Number	Description
		<b>A002476__</b>	<b>ECU - Sub-Assembly ISO Scale Mag. Mount</b>
1	1	M003359	Mount - J-Box / ISO Scale ECU Mag.
2	1	P000103	Nut - 1/4-20 Hex Nylon Lock (F594 316 S/S FB)
3	1	P002467	Magnet - 2" X 200 Lbs. (Cup 51)
4	1	P002469	Screw - 1/4-20 x 1 Machine Flat Head Phillips (18-8 S/S FB)
5	1	P002279	Node - Scale Link 2 140 Digi-Star ISO



### Junction Block - Manual Holder Side



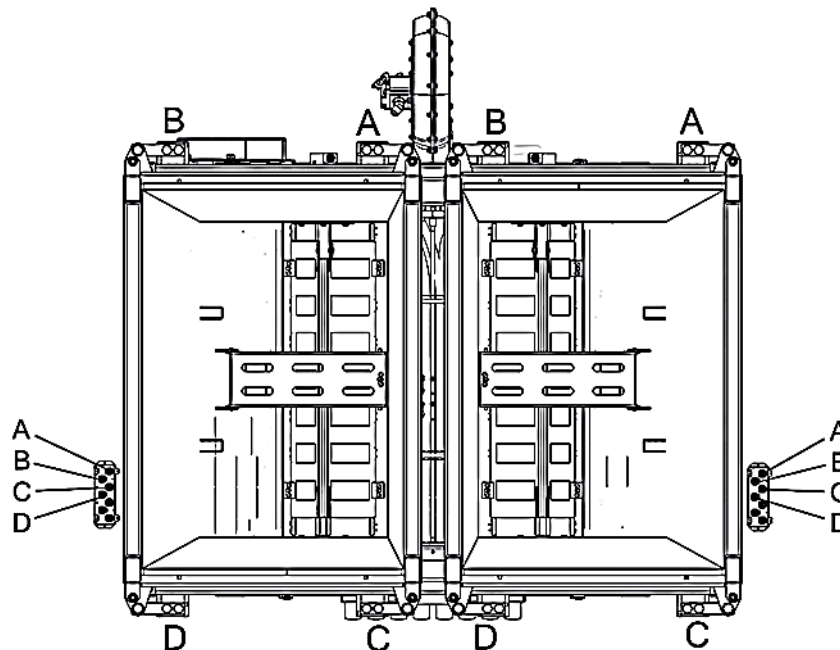
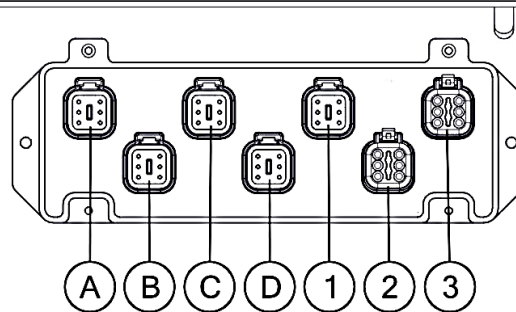
### Junction Block - Manifold Side



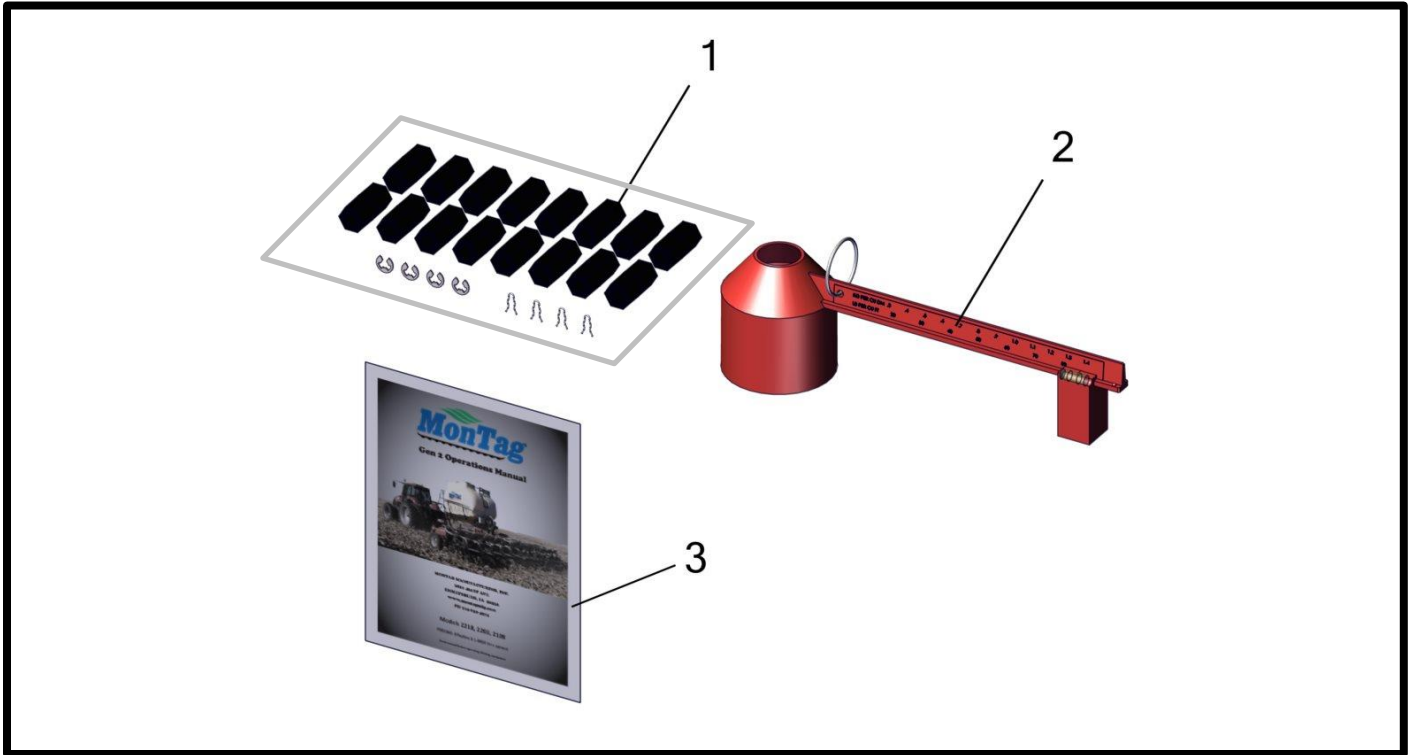
## Junction Block

Item No.	Qty	Part Number	Description
	2	<b>P002732</b>	<b>Block - DT 6 Pin, 7 Port Junction</b>

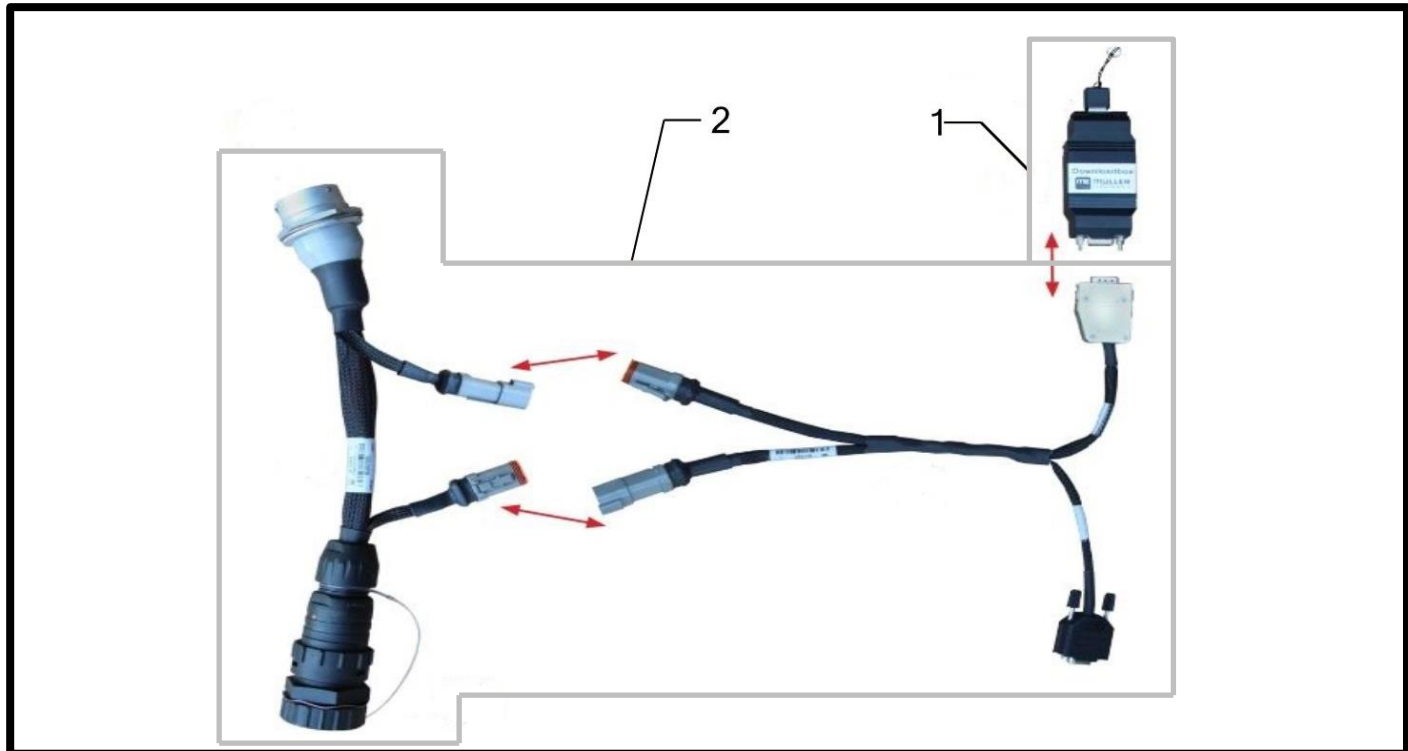
Item No.	Description
A	Load Cell To Fan End Right Corner
B	Load Cell To Fan End Left Corner
C	Load Cell To Non-Fan End Right Corner
D	Load Cell To Non-Fan End Left Corner
1	Cable To Digistar Box
2	Capped
3	Capped



### Miscellaneous Components Kit



### Kit - ECU Diagnostic ISOBUS Download (ME0901000)



## Miscellaneous Components Kit

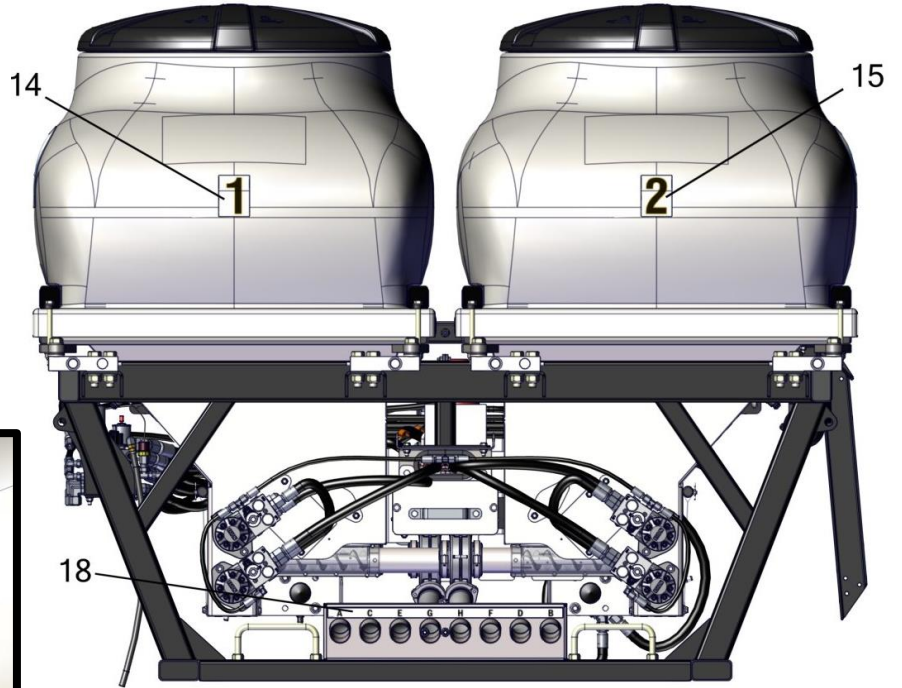
Item No.	Qty	Part Number	Description
		<b>K002253</b>	<b>Kit - Gen II 2208 Customer Care Package</b>
1	1	K002019	Kit - Gen II Mini Shear Coupler Starter Pack
2	1	P000428	Scale - Fertilizer Density (Montag Logo)
3	1	P003162	Document - Montag Mfg. Gen 2 Operators Manual

## Kit - ECU Diagnostic ISOBUS Download (ME0901000)

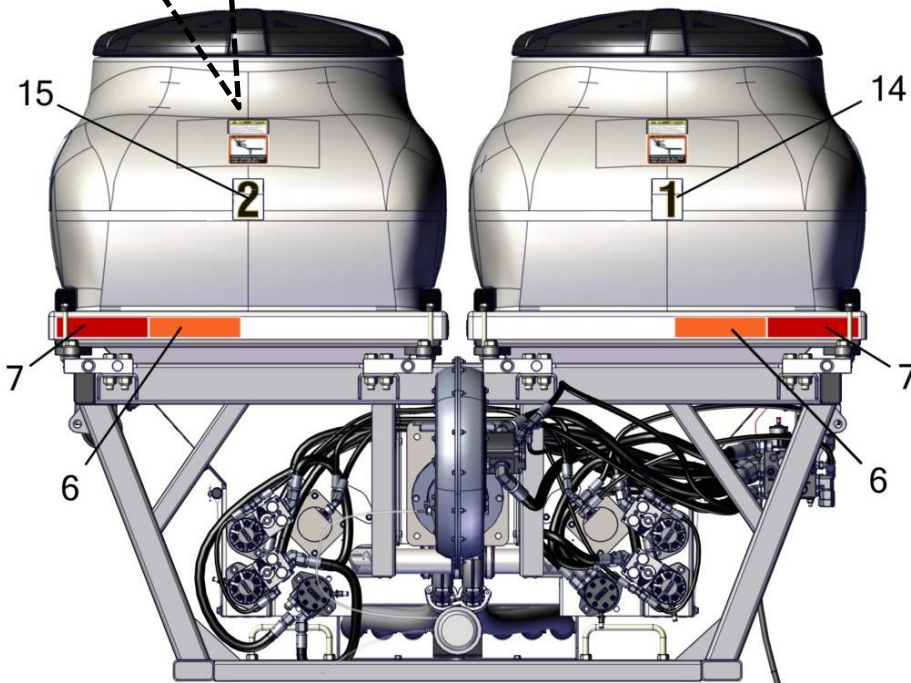
Item No.	Qty	Part Number	Description
		<b>K002012*</b>	<b>Kit - ECU Diagnostic ISOBUS Download (ME0901000)</b>
1	1	P002352	Kit - ECU Download Tool (ME3032259206)
2	1	P002354	Harness - ECU IBIC ISO Download Tee (ME0501005)

(\* ) Software available from Montag support

## DECALS



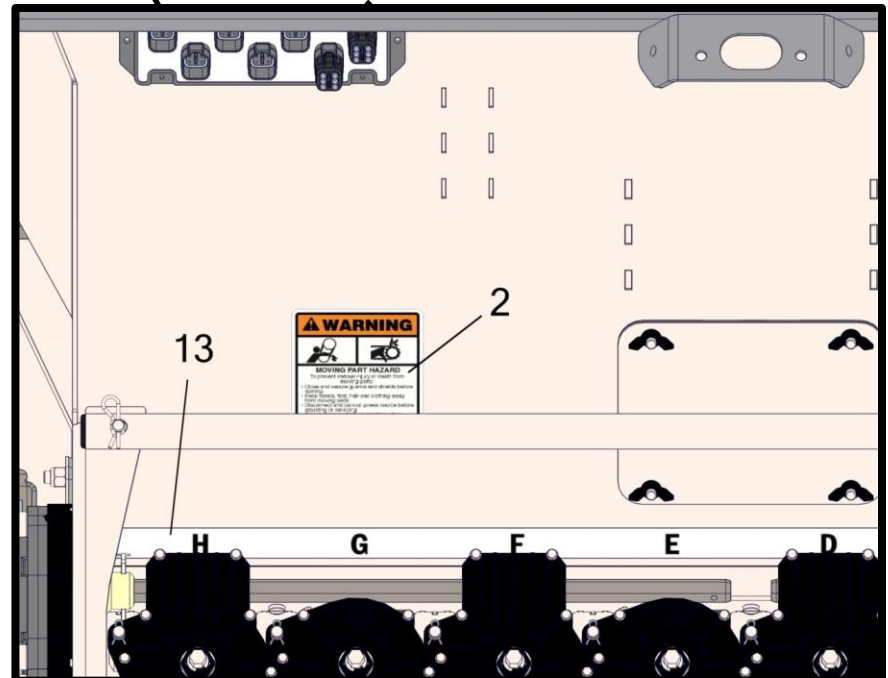
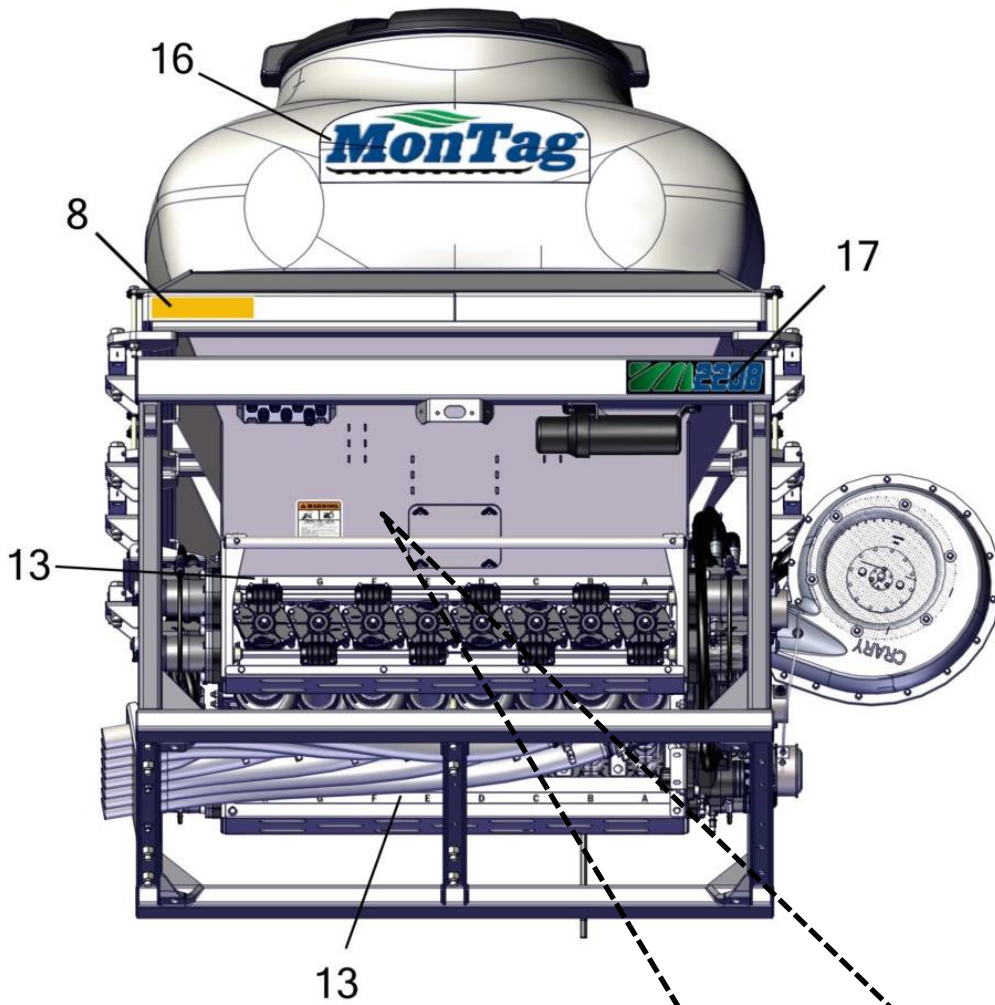
(ONE SET ON EACH TANK)



## DECALS

Item No.	Qty	Part Number	Description
1	1	P000190	Decal - Read the Manual
2	2	P000191	Decal - Moving Parts Danger
3	1	P000192	Decal - High Pressure Danger
4	2	P000193	Decal - Ag Chemical Danger (Location may change based on platform orientation)
5	1	P000195	Decal - Chemical Hazard
6	2	P000197	Tape - Reflective Orange (Location may change based on unit orientation)
7	2	P000198	Tape - Reflective Red (Location may change based on unit orientation)
8	2	P000199	Tape - Reflective Yellow (Location may change based on unit orientation)
9	1	P000201	Decal - USA Flag
10	1	P000273	Decal - Fema
11	2	P001995	Decal - Do Not Ride (A91843) (Location may change based on platform orientation)
12	2	P002170	Decal - Tank Row Label 8 Row (A-H) (Location may change based on fan orientation)
13	2	P002171	Decal - Tank Row Label 8 Row (H-A) (Location may change based on fan orientation)
14	2	P002361	Decal - Tank Number One
15	2	P002362	Decal - Tank Number Two
16	2	P002903	Decal - 2010 Logo (22" Long) Anti-Bubble
17	2	P002911	Decal - 2208 Flowing Field Logo (For 30 Cu. Ft. Tank)
		P002962	Decal - 2010 Logo (30" Long) Anti-Bubble (For 50 Cu. Ft. Tank - Not Shown)
18	1	P003026	Decal - Hose Manifold Label Gen II 8 Row (Non-Fan End)
		P002899	Decal - Hose Manifold Label Gen II 8 Row (Fan End - Not Shown)

# DECALS

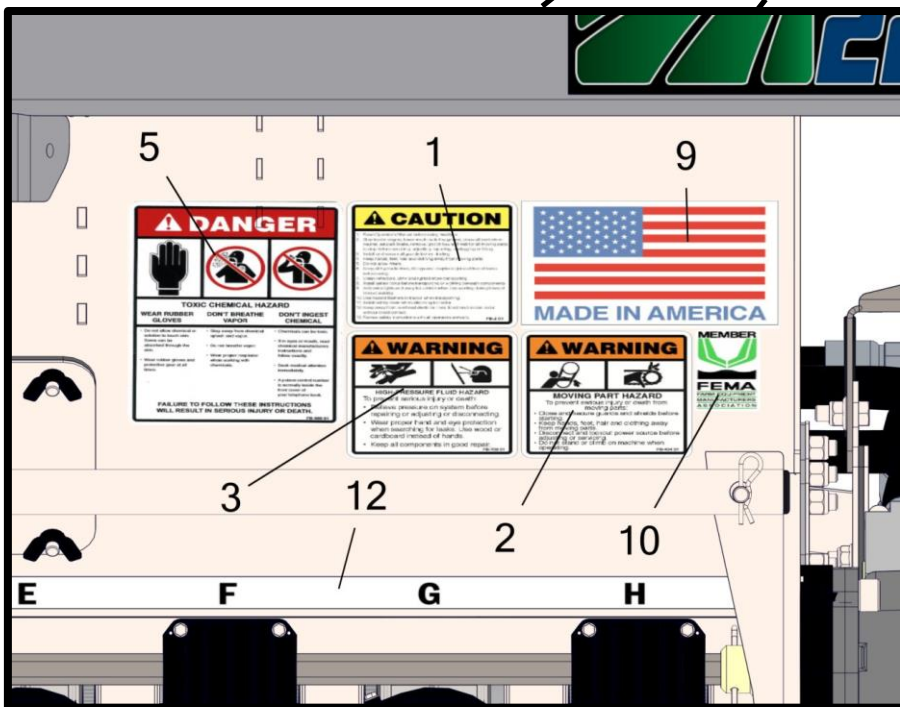
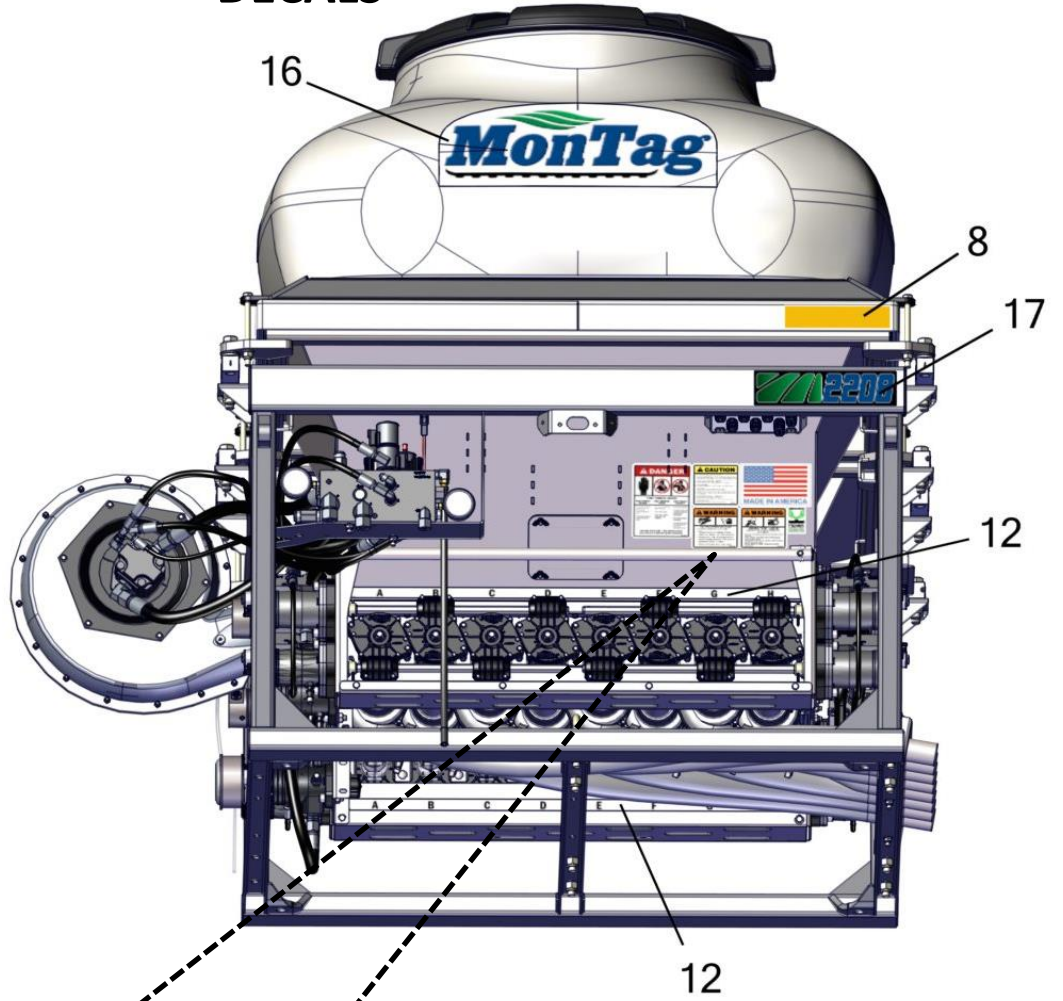




## DECALS

Item No.	Qty	Part Number	Description
1	1	P000190	Decal - Read the Manual
2	2	P000191	Decal - Moving Parts Danger
3	1	P000192	Decal - High Pressure Danger
4	2	P000193	Decal - Ag Chemical Danger (Location may change based on platform orientation)
5	1	P000195	Decal - Chemical Hazard
6	2	P000197	Tape - Reflective Orange (Location may change based on unit orientation)
7	2	P000198	Tape - Reflective Red (Location may change based on unit orientation)
8	2	P000199	Tape - Reflective Yellow (Location may change based on unit orientation)
9	1	P000201	Decal - USA Flag
10	1	P000273	Decal - Fema
11	2	P001995	Decal - Do Not Ride (A91843) (Location may change based on platform orientation)
12	2	P002170	Decal - Tank Row Label 8 Row (A-H) (Location may change based on fan orientation)
13	2	P002171	Decal - Tank Row Label 8 Row (H-A) (Location may change based on fan orientation)
14	2	P002361	Decal - Tank Number One
15	2	P002362	Decal - Tank Number Two
16	2	P002903	Decal - 2010 Logo (22" Long) Anti-Bubble
17	2	P002911	Decal - 2208 Flowing Field Logo (For 30 Cu. Ft. Tank)
		P002962	Decal - 2010 Logo (30" Long) Anti-Bubble (For 50 Cu. Ft. Tank - Not Shown)
18	1	P003026	Decal - Hose Manifold Label Gen II 8 Row (Non-Fan End)
		P002899	Decal - Hose Manifold Label Gen II 8 Row (Fan End - Not Shown)

DECALS



## DECALS

Item No.	Qty	Part Number	Description
1	1	P000190	Decal - Read the Manual
2	2	P000191	Decal - Moving Parts Danger
3	1	P000192	Decal - High Pressure Danger
4	2	P000193	Decal - Ag Chemical Danger (Location may change based on platform orientation)
5	1	P000195	Decal - Chemical Hazard
6	2	P000197	Tape - Reflective Orange (Location may change based on unit orientation)
7	2	P000198	Tape - Reflective Red (Location may change based on unit orientation)
8	2	P000199	Tape - Reflective Yellow (Location may change based on unit orientation)
9	1	P000201	Decal - USA Flag
10	1	P000273	Decal - Fema
11	2	P001995	Decal - Do Not Ride (A91843) (Location may change based on platform orientation)
12	2	P002170	Decal - Tank Row Label 8 Row (A-H) (Location may change based on fan orientation)
13	2	P002171	Decal - Tank Row Label 8 Row (H-A) (Location may change based on fan orientation)
14	2	P002361	Decal - Tank Number One
15	2	P002362	Decal - Tank Number Two
16	2	P002903	Decal - 2010 Logo (22" Long) Anti-Bubble
17	2	P002911	Decal - 2208 Flowing Field Logo (For 30 Cu. Ft. Tank)
		P002962	Decal - 2010 Logo (30" Long) Anti-Bubble (For 50 Cu. Ft. Tank - Not Shown)
18	1	P003026	Decal - Hose Manifold Label Gen II 8 Row (Non-Fan End)
		P002899	Decal - Hose Manifold Label Gen II 8 Row (Fan End - Not Shown)

---

**NOTES**

---

---

**NOTES**

---



**Montag Manufacturing, Inc.  
3816 461st Avenue  
Emmetsburg, IA 50536  
Phone: (712) 852-4572  
FAX: (712) 852-4574**

**Tech Support: (712) 852-4572  
or  
support@montagmfg.com**

**Visit us at:  
[www.montagmfg.com](http://www.montagmfg.com)**