



 **2212 E1**

MONTAG MFG.

2018-2019

Serial Numbers 20763-21129, 21190

PARTS MANUAL



Compatible with Hagie STS 10 and STS 12, MY2014-MY2020

Color coded parts are denoted in this catalog by “__” following the p/n. When ordering replacement parts, color coded parts need to be ordered w/ their corresponding color suffix. The following is a list of color codes:

AA = Black Paint

ZZ = Gray Poly

ZY = Yellow Poly

ZX = White Poly

For example, when ordering a M001018__ in black, you would order M001018AA at time of ordering. Failure to add the color code may result in getting an unpainted part, rather than a painted one.

Major changes for the 2018 model year include:

- Released for Production.

Major changes for the 2019 model year include:

- No Major Changes.

2019 model year changes are marked in the Part Number column with the following designations:

(N) - Non-Retrofittable 2019 change (**will not** work with previous models)

(R) - Retrofittable 2019 change (**will** work with previous model)

List Of Operations Manuals For Gen II	
P002727	Document – Fortifier 2212 Operators Manual Volume 1
P002956	Document - Montag DRC Operation Manual For 2.02.02.00
P002957	Document - Montag DRC QR Guide For 2.02.02.00

Table of Contents

GEN II 12 ROW 2018-2019

ASSEMBLIES AND WELDMENTS OVERVIEW.....06-07

- Front Accessories..... 08-09
- Slide Gate Cylinder and Accessory Mounting..... 10-11
 - Slide Gate Cylinder Assembly.....12-13
- Load Cell Area..... 14-15
 - Junction Blocks.....16-17
 - Junction Box.....18-19
- Manifold Block Attachment..... 20-21
 - Manifold - Gen II Hydraulic Control..... 22-23
- Fan and Plenum Area.....24-25
 - Fan / Transition Assembly.....26-27
 - Fan Motor Mount and Speed Sensor.....28-29
 - Fan Assembly.....30-31
 - Plenum Assembly.....32-33
 - Rear Plenum Area.....34-35
- Manual Holder.....36-37
- Cradle Rear Lower Cross Support.....38-39

TANKS AND TROUGHS

- Tank Lid Area..... 40-41
 - Tank Lids.....42-43
 - Inside Tank / Ladder.....44-45
- Tank 1 - Tank / Trough Assembly..... 46-47
 - Trough - Shield and Bracket (Tank 1)..... 48-49
 - Trough - Cylinder End And
Non-Cylinder End Covers (Tank 1)..... 50-51
 - Trough - Hanger and Bracket (Tank 1).....52-53
 - Trough - Slide Gate And Trough Support (Tank 1)..... 54-55
- Tank 2 - Tank / Trough Assembly.....56-57
 - Trough - Shield and Bracket (Tank 2).....58-59
 - Trough - Cylinder End And
Non-Cylinder End Covers (Tank 2)..... 60-61
 - Trough - Hanger and Bracket (Tank 2).....62-63
 - Trough - Slide Gate And Trough Support (Tank 2)..... 64-65

12 ROW KIT OVERVIEW AND ROW CONFIGURATION..... 66-69

9 ROW KIT OVERVIEW AND ROW CONFIGURATION..... 70-73

Cartridges, Air Chambers, and Gear Boxes:

- Cartridge - Long.....74-75
- Cartridge - Short.....76-77

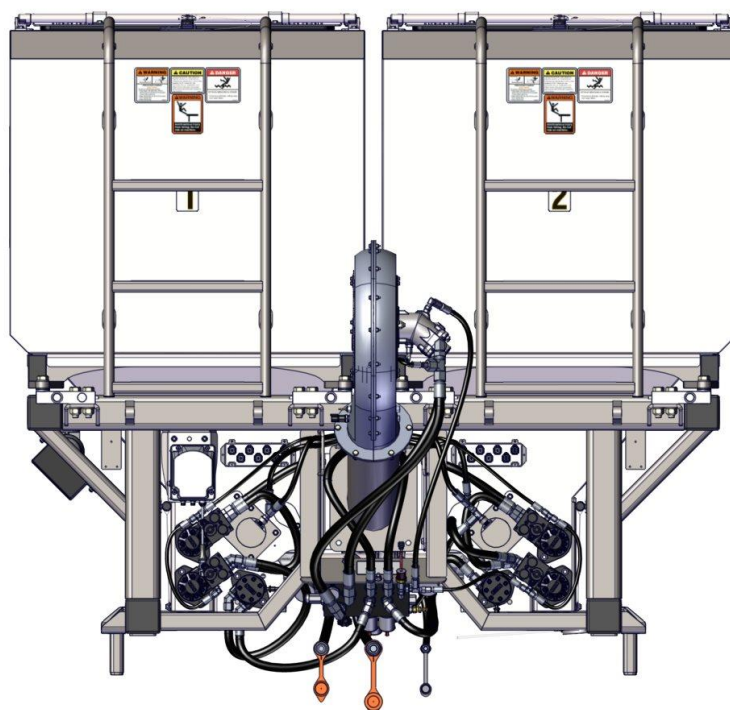
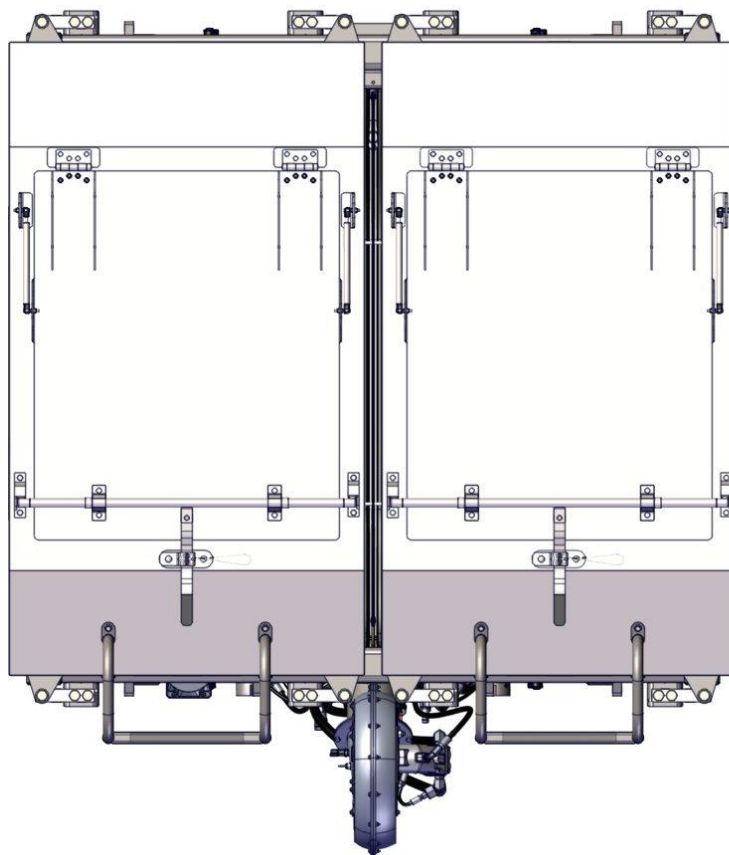
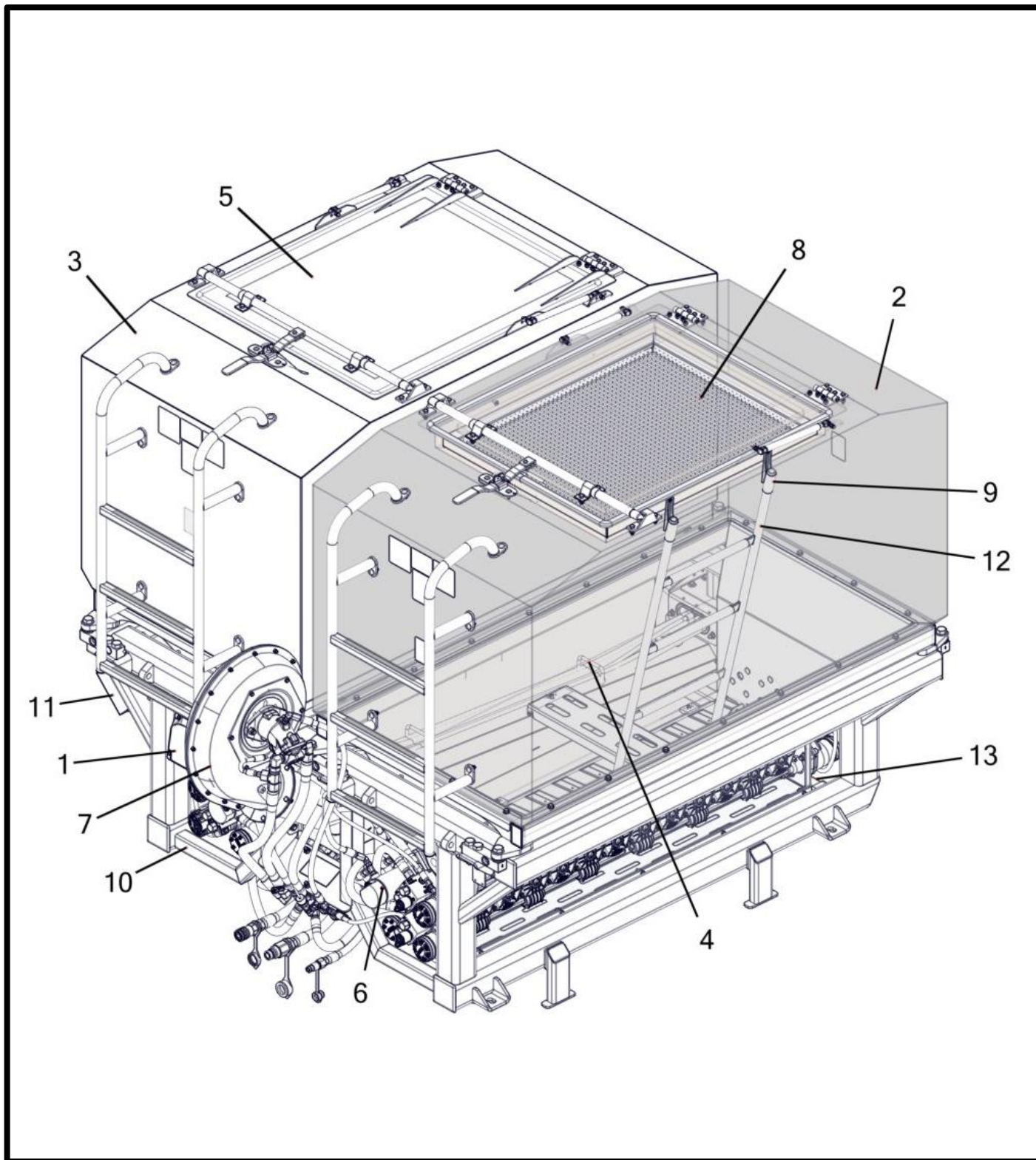


Table of Contents (continued)

	Augers, Long and Short.....	78-79
	Cartridge - Blank.....	80-81
	Air Chamber - Blank.....	80-81
	Air Chamber.....	82-83
	Gear Boxes.....	84-85
HYDRAULICS - 12 ROW.....		87
	Hoses (Fan End).....	88-89
	Hoses (Fan End Top View).....	90-91
	Hoses (Non-Fan End).....	92-93
	Hydraulic Block Fittings.....	94-95
	Fan Motor.....	96-97
	Fan End Motors and Slide Gate Cylinder (Tank 1).....	98-99
	Fan End Motors and Slide Gate Cylinder (Tank 2).....	100-101
	Non-Fan End Motors (Tank 2).....	102-103
	Non-Fan End Motors (Tank 1).....	104-105
	Motor Breakdown - P000881 (CW).....	106-107
	Motor Breakdown - P000882 (CCW).....	108-109
	Front and Rear Center Tees.....	110-111
	Encoder Motor Mounting Bracket.....	112-113
	Speed Sensor.....	112-113
	Four Section Drive Shafts and Couplers.....	114-115
HYDRAULICS - 9 ROW.....		117
	Hoses (Fan End).....	118-119
	Hoses (Fan End Top View).....	120-121
	Hoses (Non-Fan End).....	122-123
	3 Section Motors and Slide Gate Cylinder (Tank 1).....	124-125
	3 Section Motors and Slide Gate Cylinder (Tank 2).....	126-127
	3 Section Drive Shafts and Couplers.....	128-129
	Miscellaneous Components Kit.....	130-131
	Kit ECU Diagnostic ISOBUS Download.....	130-131
ELECTRICAL ACCESSORIES		
	ECU - Mount and Cover.....	132-133
	ECU - Mount and Harnesses.....	134-135
	Additional Electrical Reference Info.....	136-139
TANK LEVEL SENSORS.....		140-141
DECALS		
	Decal Placement	142-147

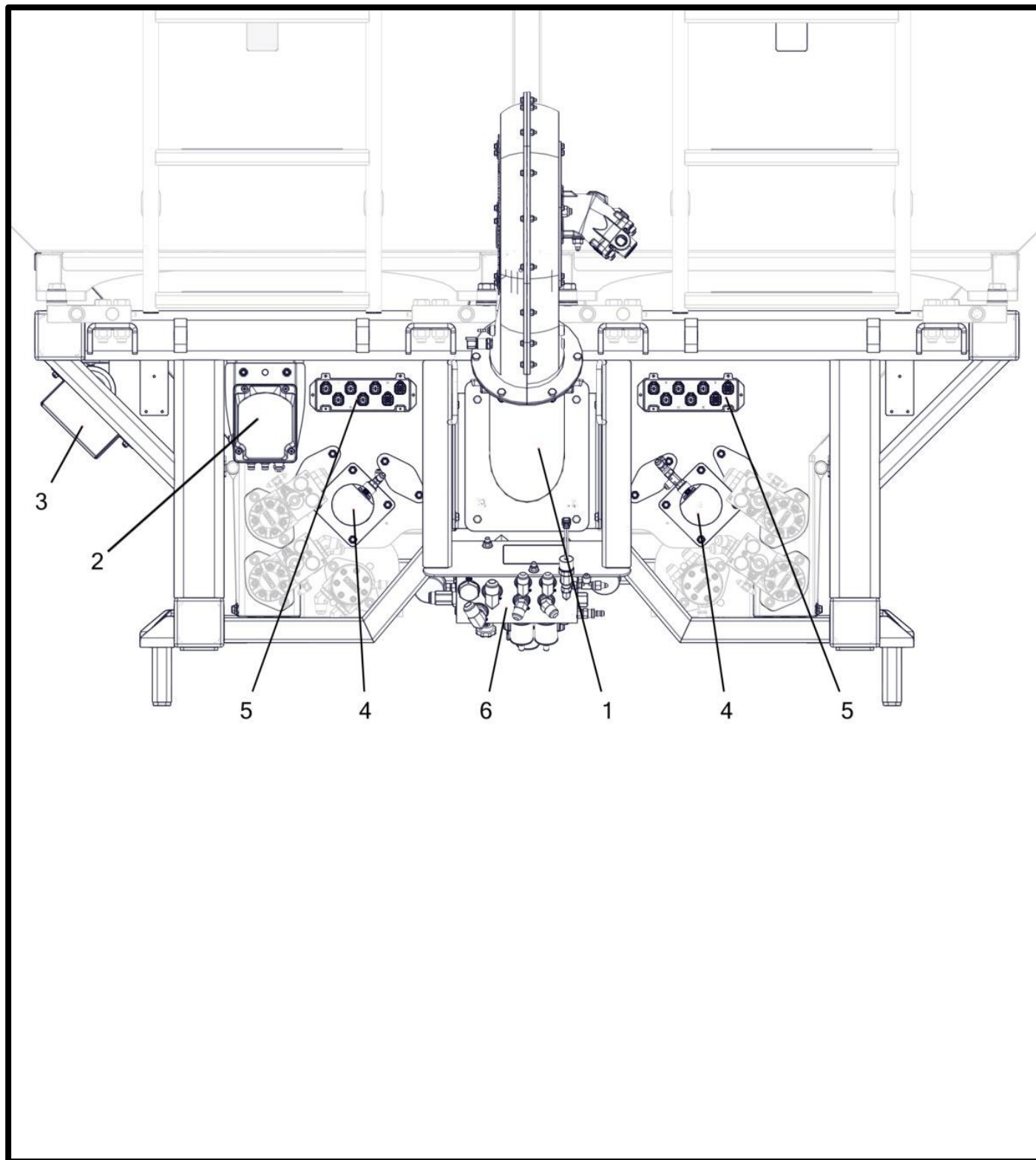
Assemblies And Weldments Overview



Assemblies And Weldments Overview

Item No.	Qty	Part Number	Description
1	1	A002208	ECU - Sub-Assembly ISO Scale
2	1	A002220__	Tank/Trough Assembly - Gen II 12 Row Rear Cyl. Mount (RH) Black
3	1	A002222__	Tank/Trough Assembly - Gen II 12 Row Rear Cyl. Mount (LH) Black
4	1	A002225__	Plenum - Reverse Air Chamber Sub-Assembly Gen II 12 Row
5	2	A002227	Lid - S/S Tank Gen II 12 Row Assembly
6	2	A002235__	Cylinder - Slidegate Sub-Assembly 12 Row
7	1	A002236__	Fan / Transition - Assembly 6" x 35°
8	2	W000160	Screen - Tank Top (3/4" C/C)
9	4	W002368	Bracket - Inside Tank Ladder Hold Gen II-D
10	1	W002452__	Cradle - STS 12 Gen II 12 Row
11	1	W002479__	Shield - Montag ECU Cover
12	2	W002481	Ladder - Inside S/S Tank Gen II 12 Row
13	1	W002489__	Support - STS Cradle Rear Lower Cross

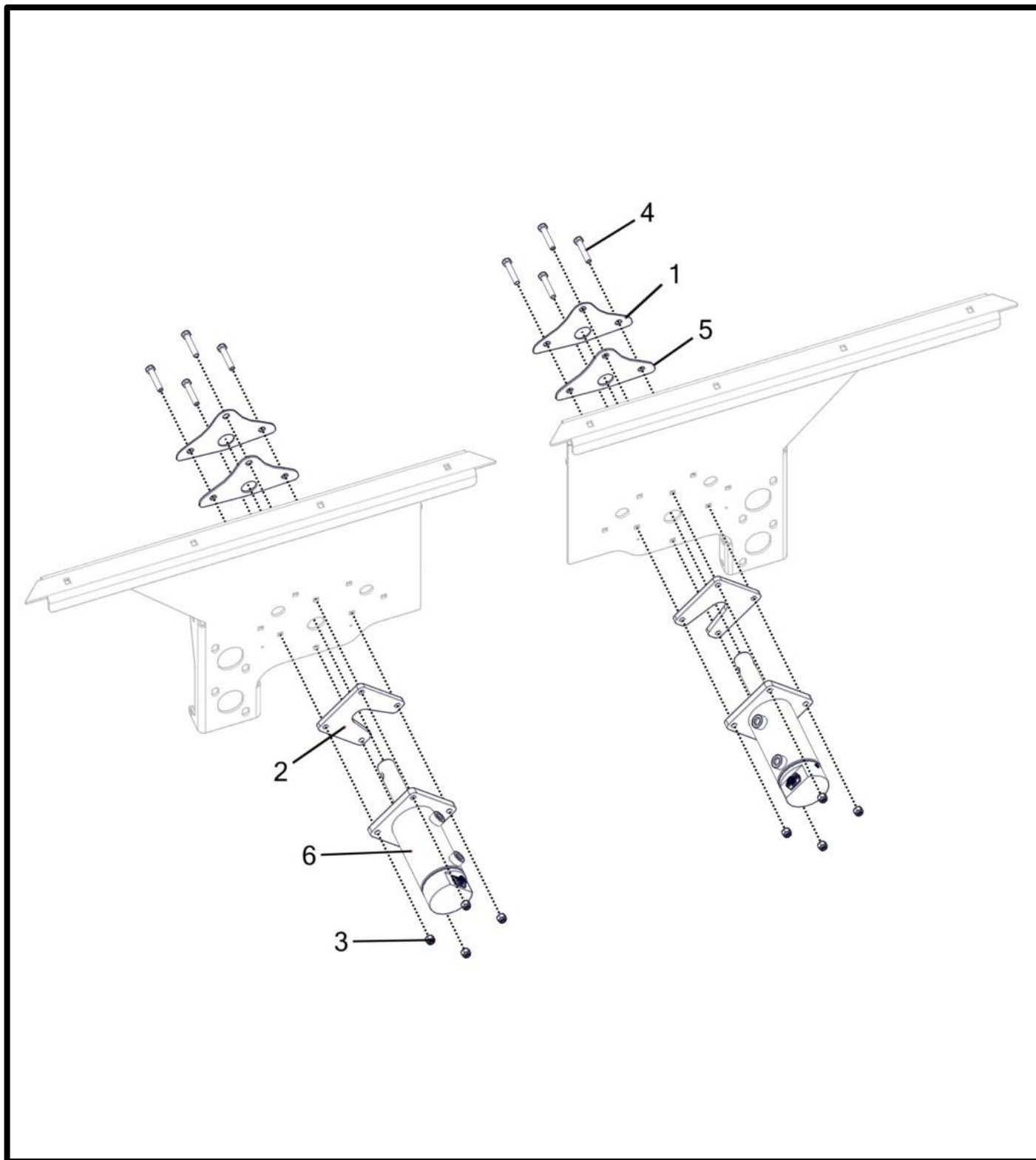
Front Accessories



Front Accessories

Item No.	Qty	Part Number	Description
1	1	A002236__	Fan / Transition - Assembly 6" x 35°
2	1	A002208	ECU - Sub-Assembly ISO Scale
3	1	W002479__	Shield - Montag ECU Cover
4	2	A002235__	Cylinder - Slidegate Sub-Assembly 12 Row
5	2	P002732	Block - DT 6 Pin, 7 Port Junction
6	1	P002227	Manifold - Gen II-D Hydraulic Control

Slide Gate Cylinders And Accessory Mounting



Slide Gate Cylinders And Accessory Mounting

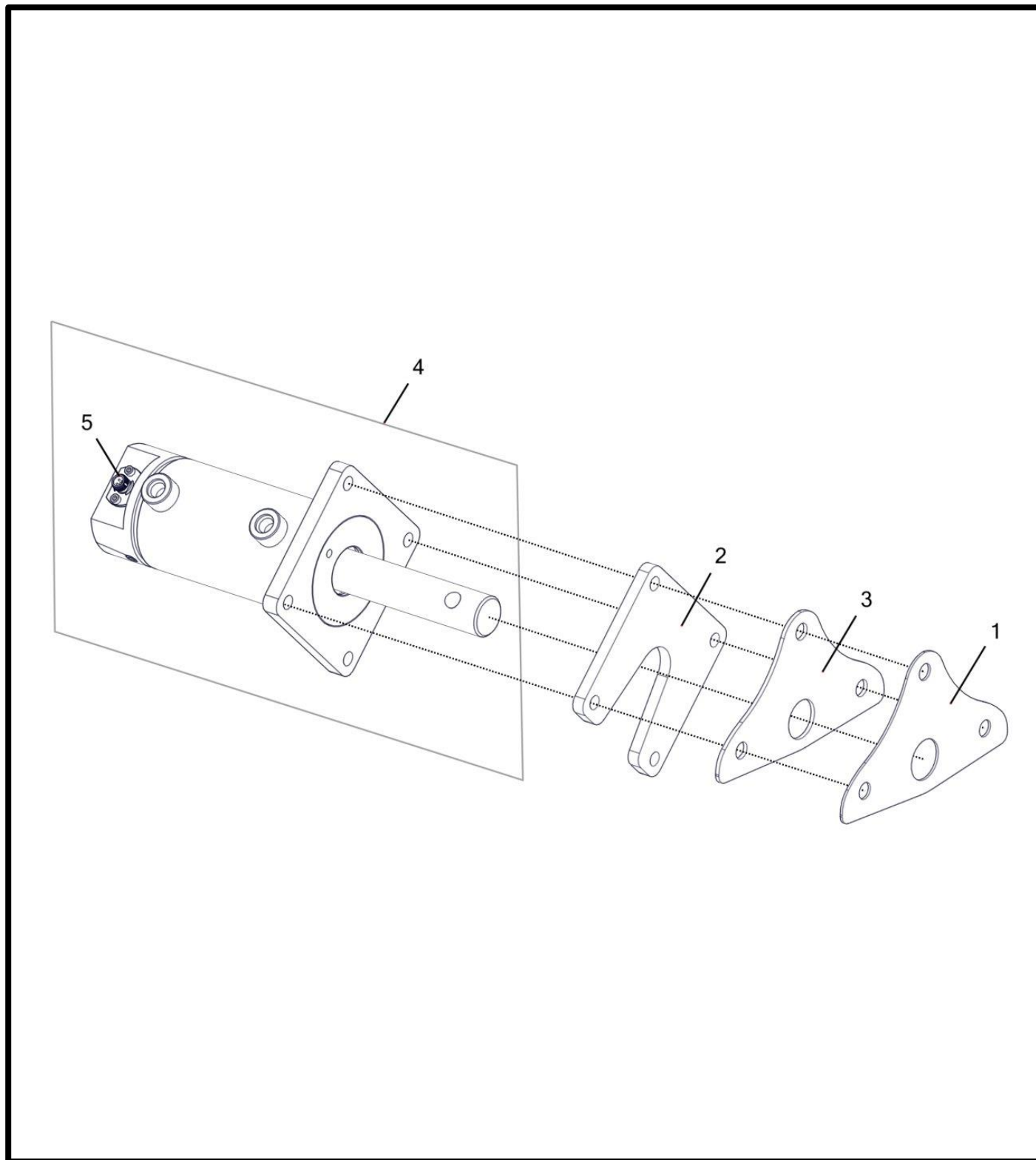
Item No.	Qty	Part Number	Description
1	2	M002403	Plate - Slide Gate Cylinder Gasket Seal Backing ‡
2	2	M003076	Plate - Slide gate Cylinder Drain Spacer ‡
3	8	P000105	Nut - 3/8-16 Hex Nylon Lock (F594 316 S/S FB) *
4	8	P000880	Bolt - 3/8-16 x 2 x 1 Hex (F593 304 S/S FB) * †
5	2	P002148	Gasket - Slide Gate Cylinder Tank Seal ‡
6	2	P002701__	Cylinder - 3" B x 2.38" S x 1.25" R (Analog Sensor) ‡

(*) Included In K002148 - Kit - Slide Gate Cylinder Mount Hardware Gen II (Outside)

(†) Included In K002147 - Kit - Misc. Inside Tank Hardware Gen II

(‡) Included in A002235__ - Cylinder - Slidegate Sub-Assembly 12 Row

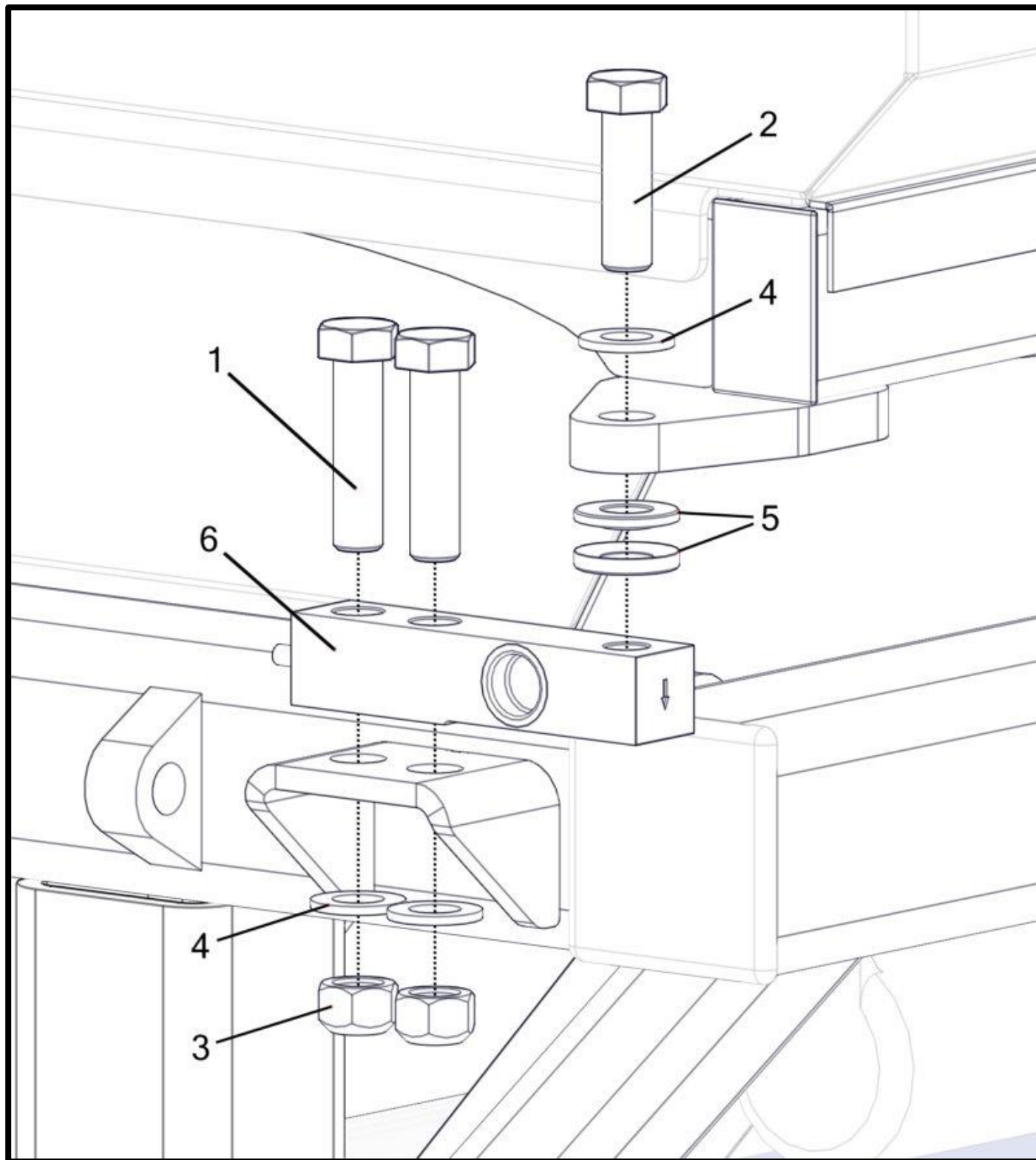
Slide Gate Cylinder Assembly



Slide Gate Cylinder Assembly

Item No.	Qty	Part Number	Description
		A002235_ _	Cylinder - Slidegate Sub-Assembly 12 Row
1	1	M002403	Plate - Slide Gate Cylinder Gasket Seal Backing
2	1	M003076	Plate - Slidegate Cylinder Drain Spacer
3	1	P002148	Gasket - Slide Gate Cylinder Tank Seal
4	1	P002701_ _	Cylinder - 3" B x 2.38" S x 1.25" R (Analog Sensor)
5	1	P002720	Sensor - Rota 60mm Stroke Transducer, 4-Pin M12

Load Cell Area

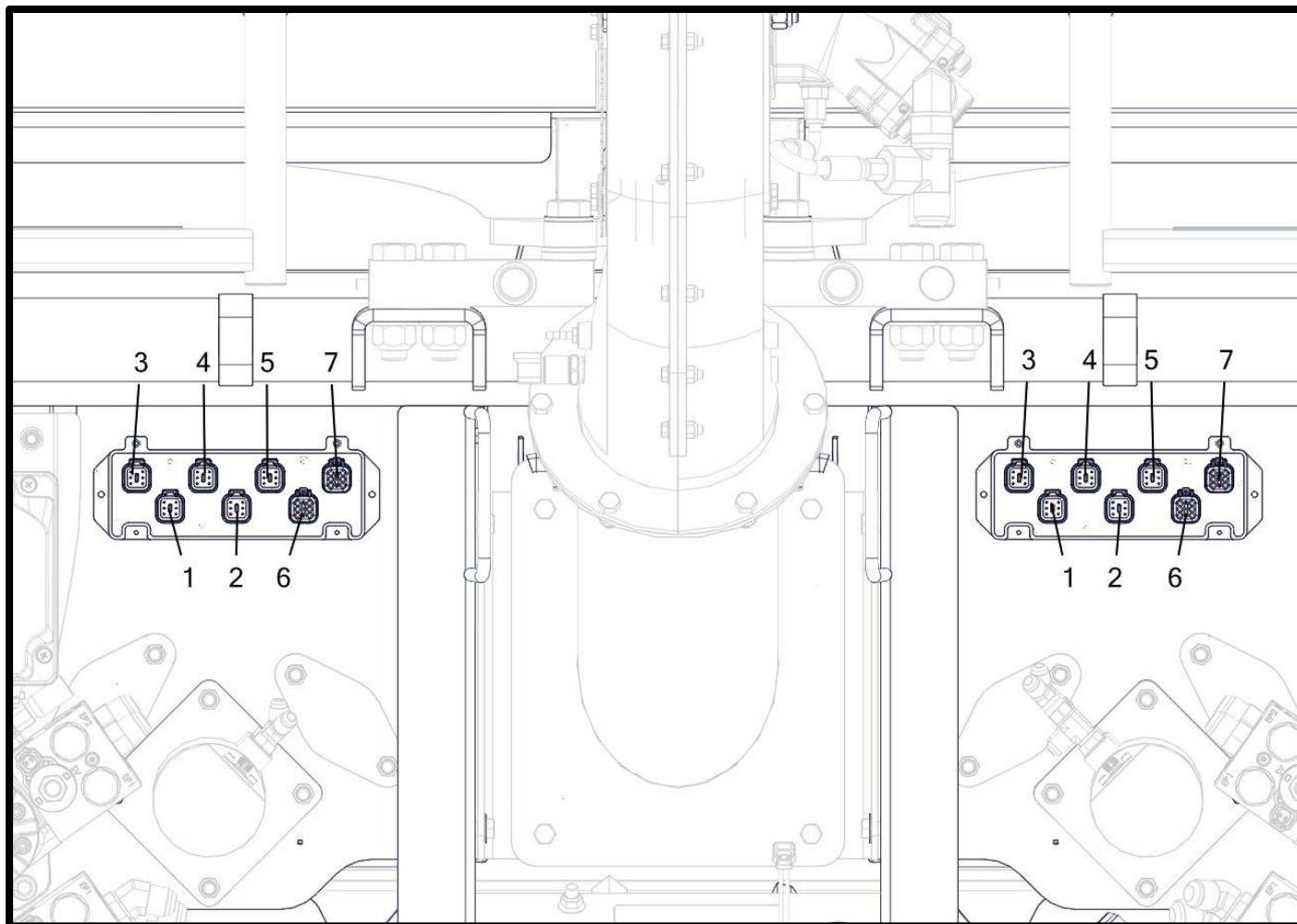


Load Cell Area

Item No.	Qty	Part Number	Description
1	16	P000047	Bolt - 3/4-10 x 3 x 1.75 Hex (GR 5 M/S FA) *
2	8	P000055	Bolt - 3/4-16 x 2.5 x 1.75 Hex (GR 5 M/S FA) *
3	16	P000061	Nut - 3/4-10 Hex Metal Lock (GR 5 M/S FA) *
4	24	P000766	Washer - 3/4" SAE Flat (1.469" OD) (GR 5 M/S FA) *
5	8	P002146	Washer - 3/4" Spherical Self Aligning *
6	8	P002739	Scale - Load Cell (10K) w/DT 6 Pin (14')

(*) Included In K002154 - Kit - Load Cell (10K) (Scale-Tec) Hardware Gen II

Junction Blocks

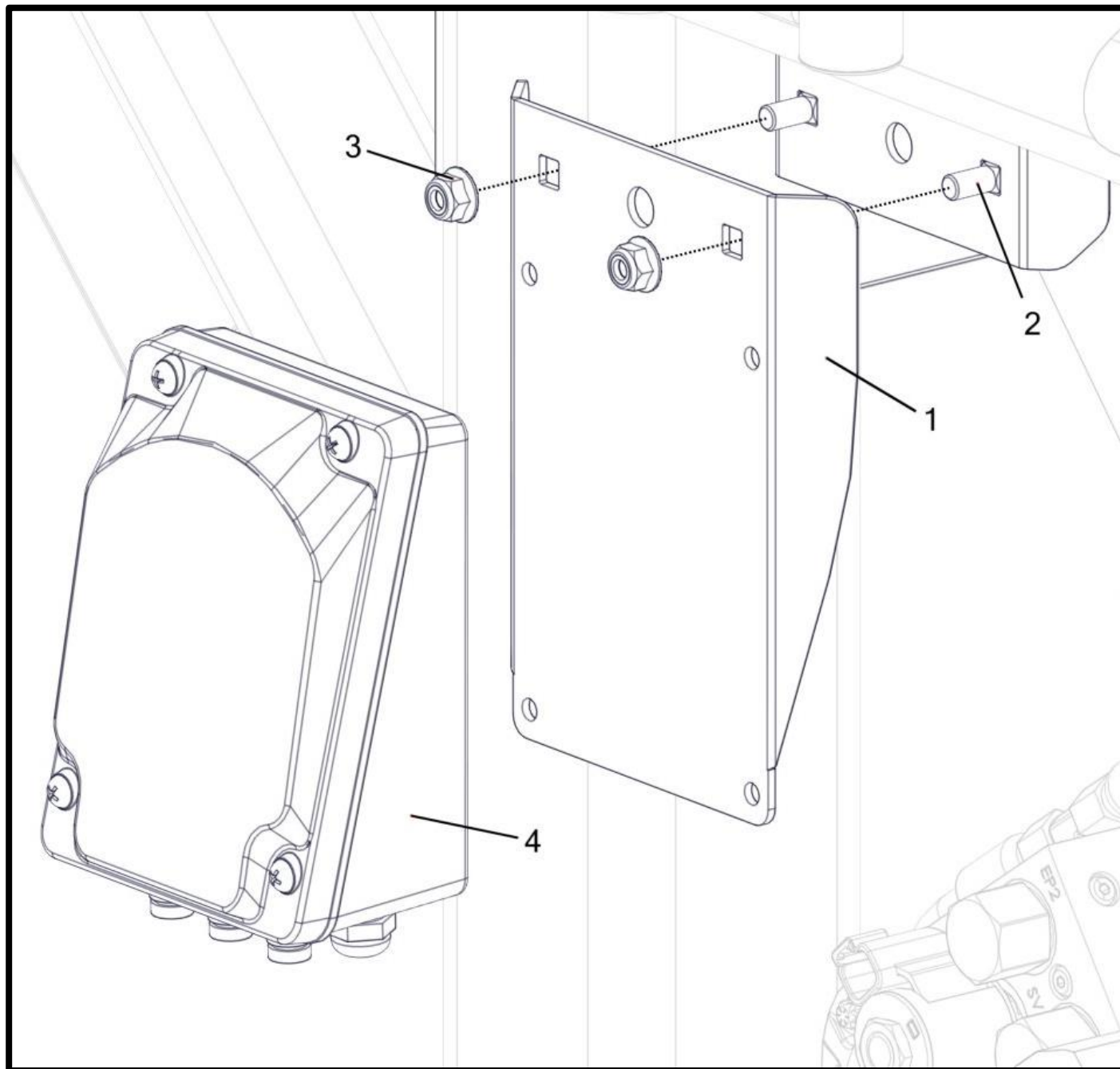


Junction Blocks

P002732 - Block - DT 6 Pin, 7 Port Junction	
1	Load Cell To Front Left Corner
2	Load Cell To Front Right Corner
3	Load Cell To Rear Left Corner
4	Load Cell To Rear Right Corner
5	Cable To Digistar Box
6	Capped
7	Capped

J-BLOCKS ARE ADHESIVE BACKED AND ATTACH DIRECTLY TO METER SURFACE

Junction Box



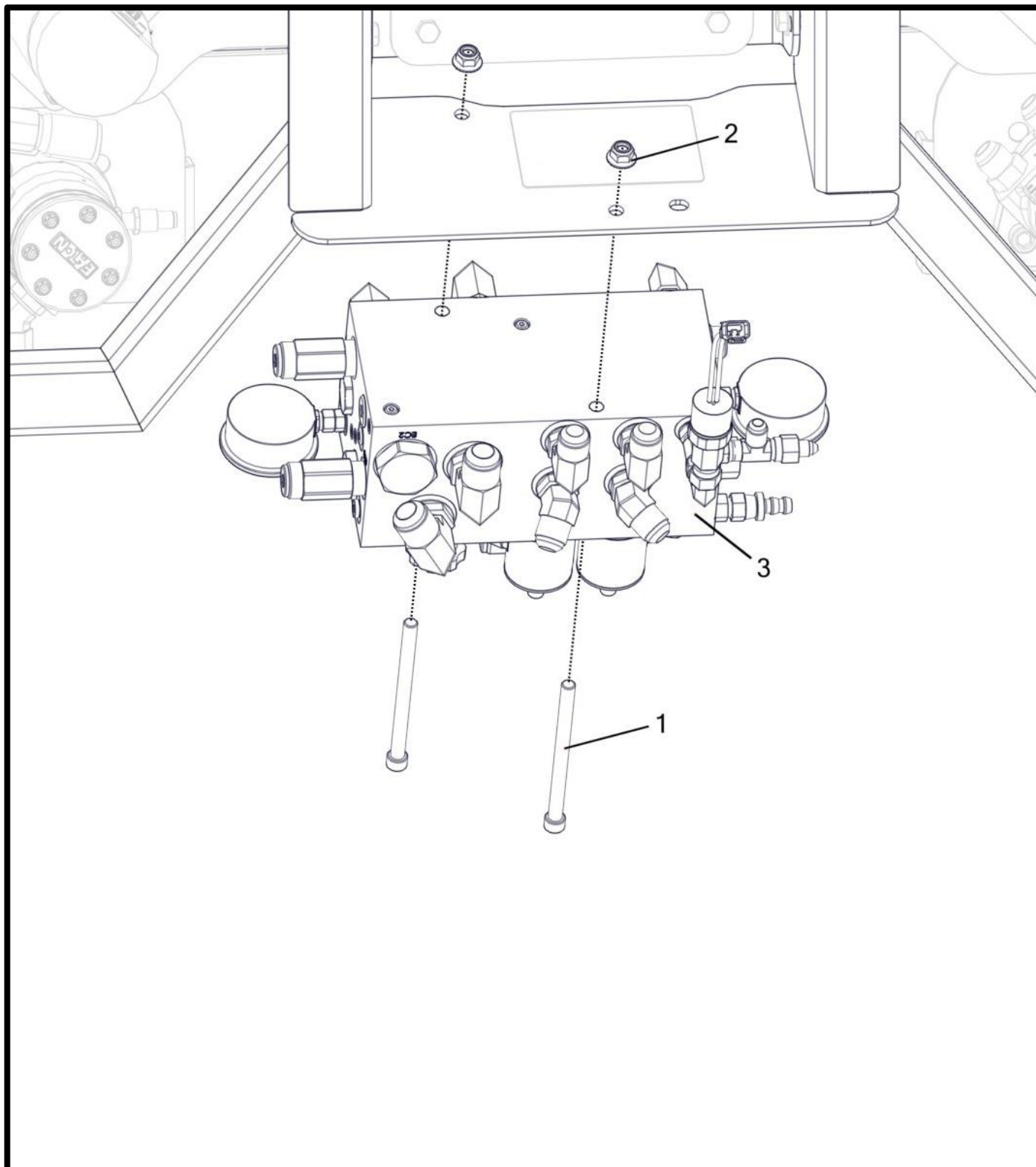
Junction Box

Item No.	Qty	Part Number	Description
		A002208	ECU - Sub-Assembly ISO Scale
1	1	M002629	Mount - Bolt-On J-Box
2	2	P000527	Bolt - 5/16-18 x 0.75 x 0.75 Carriage (F593 304 S/S FB) *
3	2	P002224	Nut - 5/16-18 Flange Nylon Lock (18-8 S/S FB) *
4	1	P002279	Node - Scale Link 2 140 Digi-Star ISO

NODE ATTACHES TO MOUNT WITH ADHESIVE BACKING

(*) Included In K002041 - Kit - J-Box Mount Hardware Gen II

Manifold Block Attachment

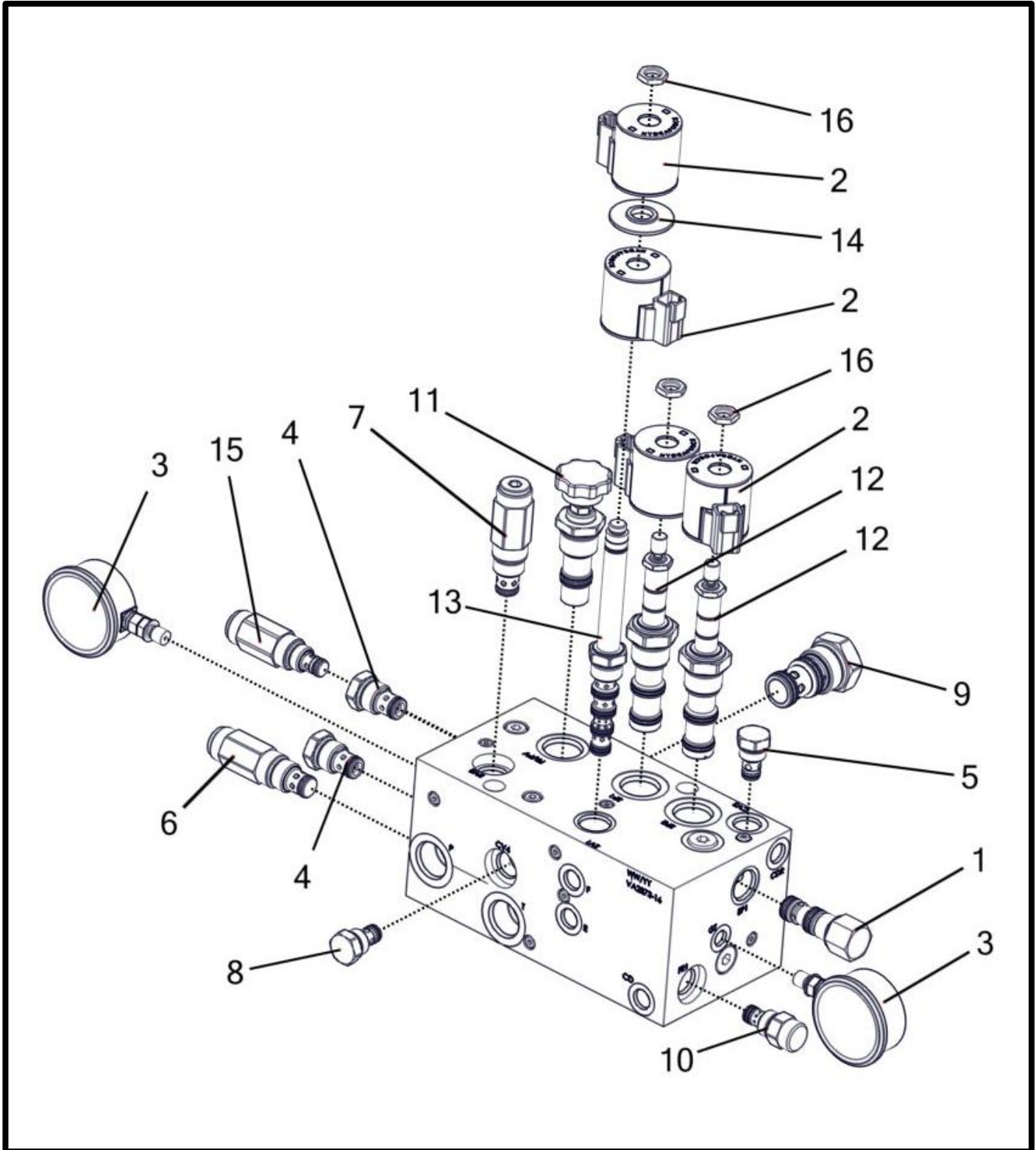


Manifold Block Attachment

Item No.	Qty	Part Number	Description
1	2	P000619	Bolt - 3/8-16 x 5 x 1 Socket Head (18-8 S/S FB) *
2	2	P002225	Nut - 3/8-16 Flange Nylon Lock (18-8 S/S FB) *
3	1	P002227	Manifold - Gen II-D Hydraulic Control

(*) Included In K002090 - Kit - Hydraulic Manifold Mount Hardware

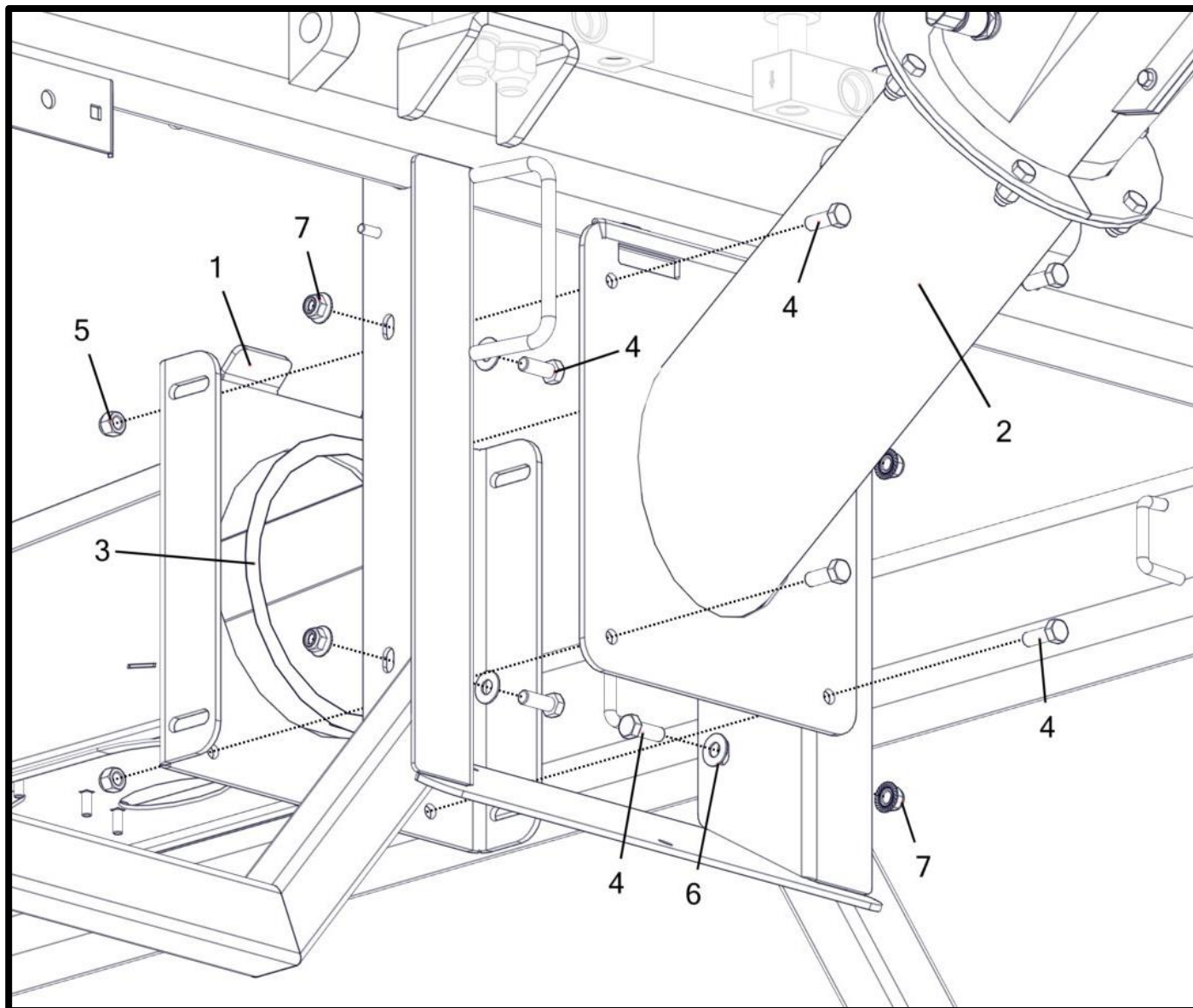
Manifold - Gen II Hydraulic Control



Manifold - Gen II Hydraulic Control

Item No.	Qty	Part Number	Description
		P002227	Manifold - Gen II Hydraulic Control
1	1	P000359	Valve - Hyd. - #10 Size EP Logic Element, 20 GPM, 80 PSI (EPFR50-S35-0-N-80)
		P002570	Kit - SK10-3N-MM Replacement Seal
2	4	P000361	E-Coil - #10, 12 VDC, Deutsch DT04-2P (4303712)
3	2	P000362	Gauge - Hyd. - 3000 PSI #4 O-Ring (7/16"-20)
		P002581	O-Ring - #4 Buna (4000-04)
4	2	P000904	Valve - Hyd. - 10 Size Check, 2 Way, 20 GPM, 5PSI CV10-20-0-N-05
		P002572	Kit - SK10-2N-T Replacement Seal
5	1	P000905	Valve - Hyd. - 8 Size Check, 2 Way, 8 GPM, 25PSI CV08-20-0-N-25
		P002573	Kit - SK08-2N-T Replacement Seal
6	1	P000908	Valve - Hyd. - 10 Size Relief Differential Poppet 30 GPM, 3000PSI RV10-22H-0-N-35/30
		P002572	Kit - SK10-2N-T Replacement Seal
7	1	P000909	Valve - Hyd. - 10 Size Relief Differential Poppet 10 GPM, 3000PSI RV10-22H-0N-13/10
		P002572	Kit - SK10-2N-T Replacement Seal
8	1	P002506	Valve - Hyd. - 8 Size Check, 2 Way, 20 GPM, 4 PSI CV08-20-0-N-4
		P002573	Kit - SK08-2N-T Replacement Seal
9	1	P002507	Valve - Hyd. - Piloted Spool Type Logic Element 40 PSI EP16-S35-N-40
		P002574	Kit - SK16-3N-MM Replacement Seal
10	1	P002508	Valve - Hyd. - Flow Regulator, Pressure Compensated 20 GPM FR08-20F-0-N-0.20
		P002575	Kit - SK08-2N-8 Replacement Seal
11	1	P002509	Valve - Hyd. - Flow Regulator Pressure Compensated 0-20 GPM (Manual) FR12-23E-0-N
		P002576	Kit - SK12-2X-M Replacement Seal
12	2	P002510	Valve - Hyd. - #12 Size Proportional Control, 2-Way, NC, HyPerf w/ Manual Override (PWM) (HSPEC12-30AM-0-X-XX)
		P002577	Kit - HSK12-3-U Replacement Seal
13	1	P002511	Valve - Hyd. - Solenoid-Type, 5-Way, 3 Position SV10-58C-0-N-00
		P002578	Kit - SK10-5N-MMMM Replacement Seal
14	1	P002512	Spacer - Hyd. - #10 E-coil 4539700
15	1	P002514	Valve - Hyd. - Relief, Differential Area Poppet, 2200 PSI RV08-22H-0-N-26/22.00
		P002573	Kit - SK08-2N-T Replacement Seal
16	3	P002517	Nut - Coil 7004400

Fan And Plenum Area



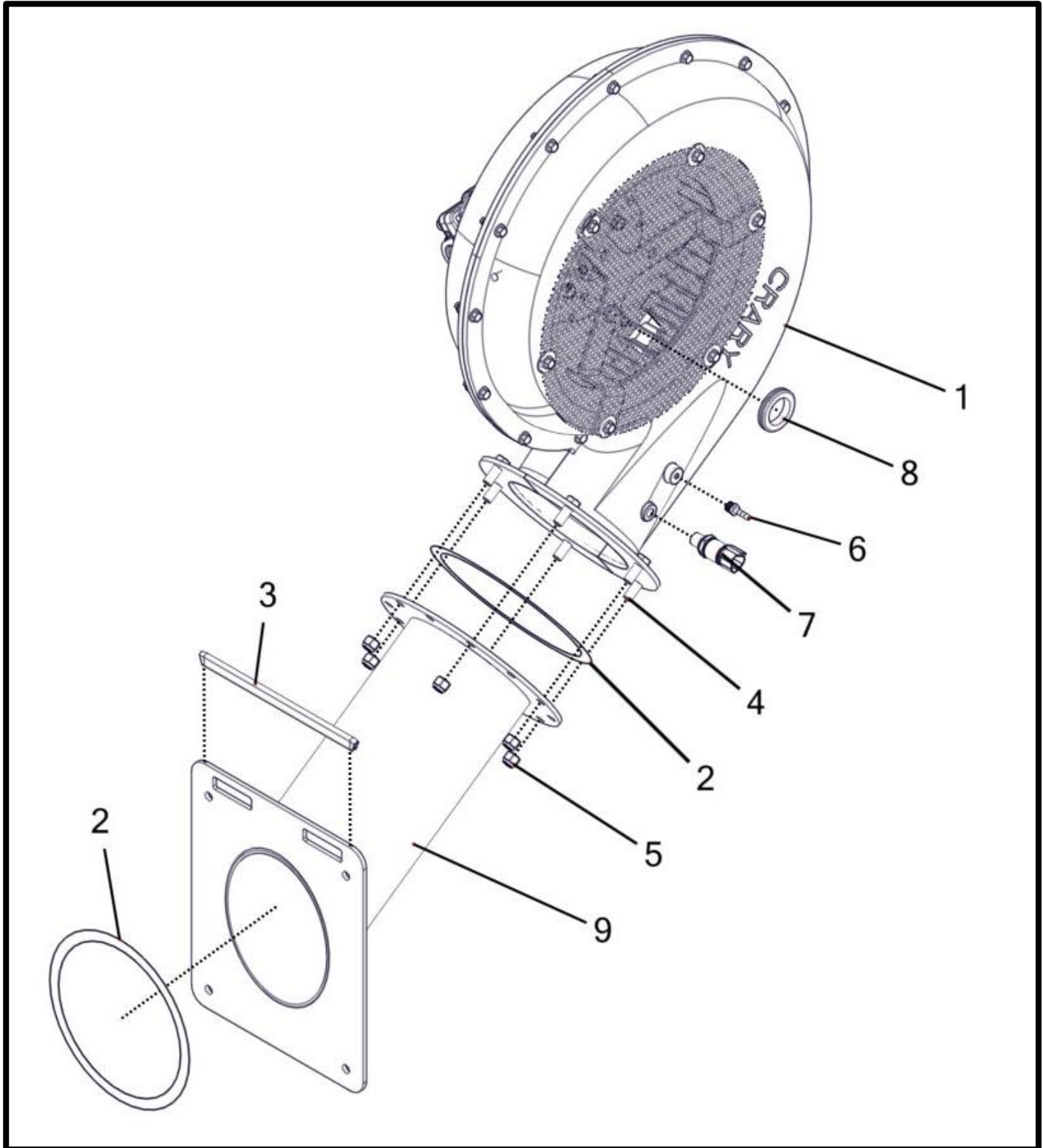
Fan And Plenum Area

Item No.	Qty	Part Number	Description
1	1	A002225__	Plenum - Reverse Air Chamber Sub-Assembly Gen II 12 Row
2	1	A002236__	Fan / Transition - Assembly 6" x 35°
3	1	M002475	Gasket - Fan Transition Seal
4	8	P000097	Bolt - 3/8-16 x 1 x 1 Hex (F593 304 S/S FB) * †
5	4	P000105	Nut - 3/8-16 Hex Nylon Lock (F594 316 S/S FB) †
6	4	P000111	Washer - 3/8" Flat (0.875" OD) (18-8 S/S FB) *
7	4	P002225	Nut - 3/8-16 Flange Nylon Lock (18-8 S/S FB) *

(*) Included In **(N)** K002221 - Kit - Plenum Mount Hardware Gen II

(†) Included In K002057 - Kit - Fan Mount Hardware Gen II

Fan / Transition Assembly

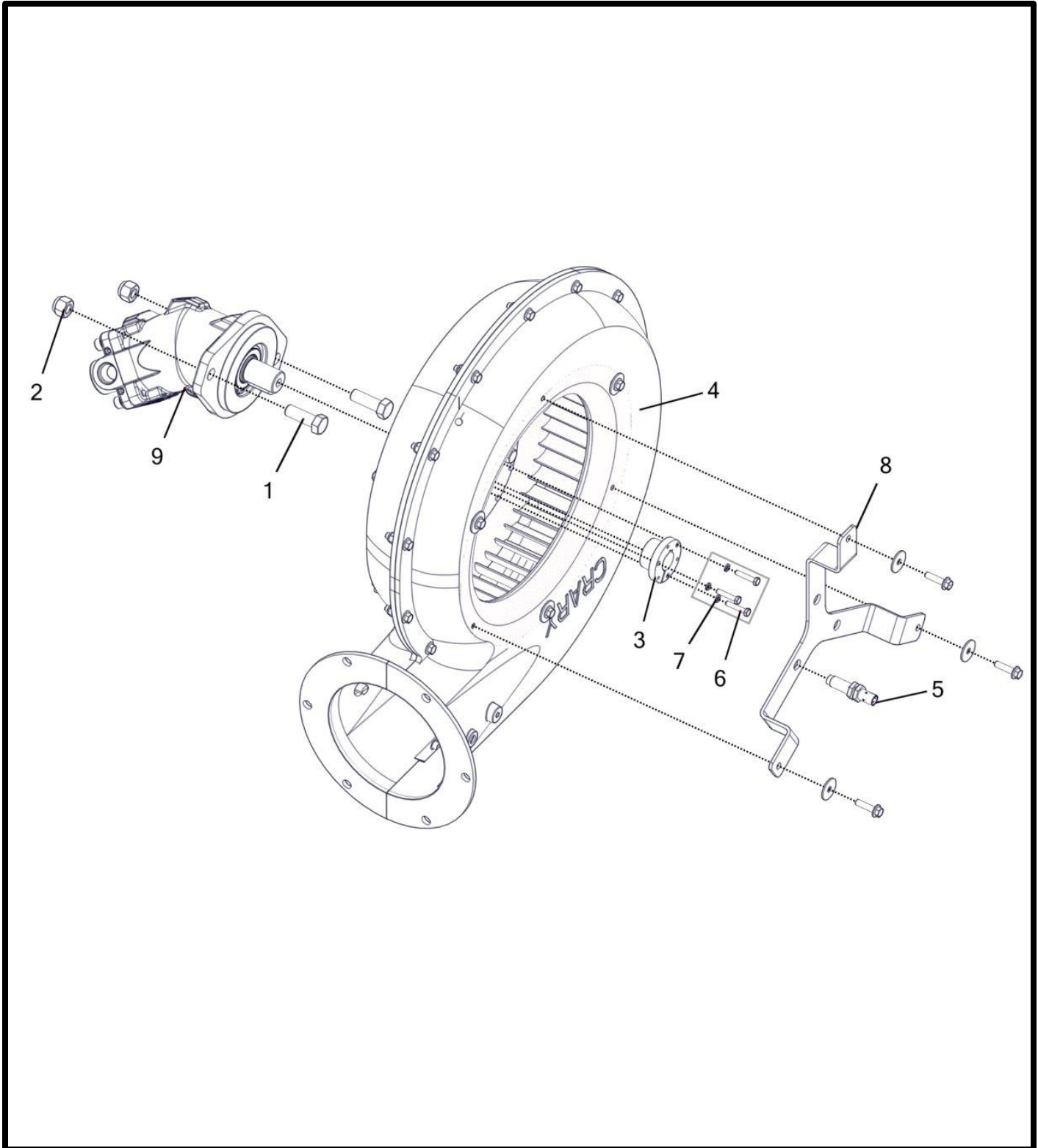


Fan / Transition Assembly

Item No.	Qty	Part Number	Description
		A002236__	Fan / Transition - Assembly 6" x 35°
1	1	A002425	Fan - Crary 6" Flange Mount CCW w/Motor (51461)
2	2	M002475	Gasket - Fan Transition Seal (P002253)
3	1	M003086	Trim - Plenum Transition Plate Edge (9")
4	6	P000039	Bolt - 3/8-16 x 1 x 1 Hex (GR 5 M/S FA) *
5	6	P000057	Nut - 3/8-16 Hex Nylon Lock (GR 5 M/S FA) *
6	1	P000125	Fitting - Air - 3/16" Hose Barb x 1/8 NPT
7	1	P002731	Sensor - Air Pressure 3-Pin (0-3.6 psi) (1/4 NPT)
8	1	P002783	Grommet - 1.5" x .06" Rubber
9	1	W002464__	Transition - 6" Diameter Fan/Plenum 35° Gen II

(*) Included In K002093 - Kit - Fan / Transition Hardware

Fan Motor Mount and Speed Sensor

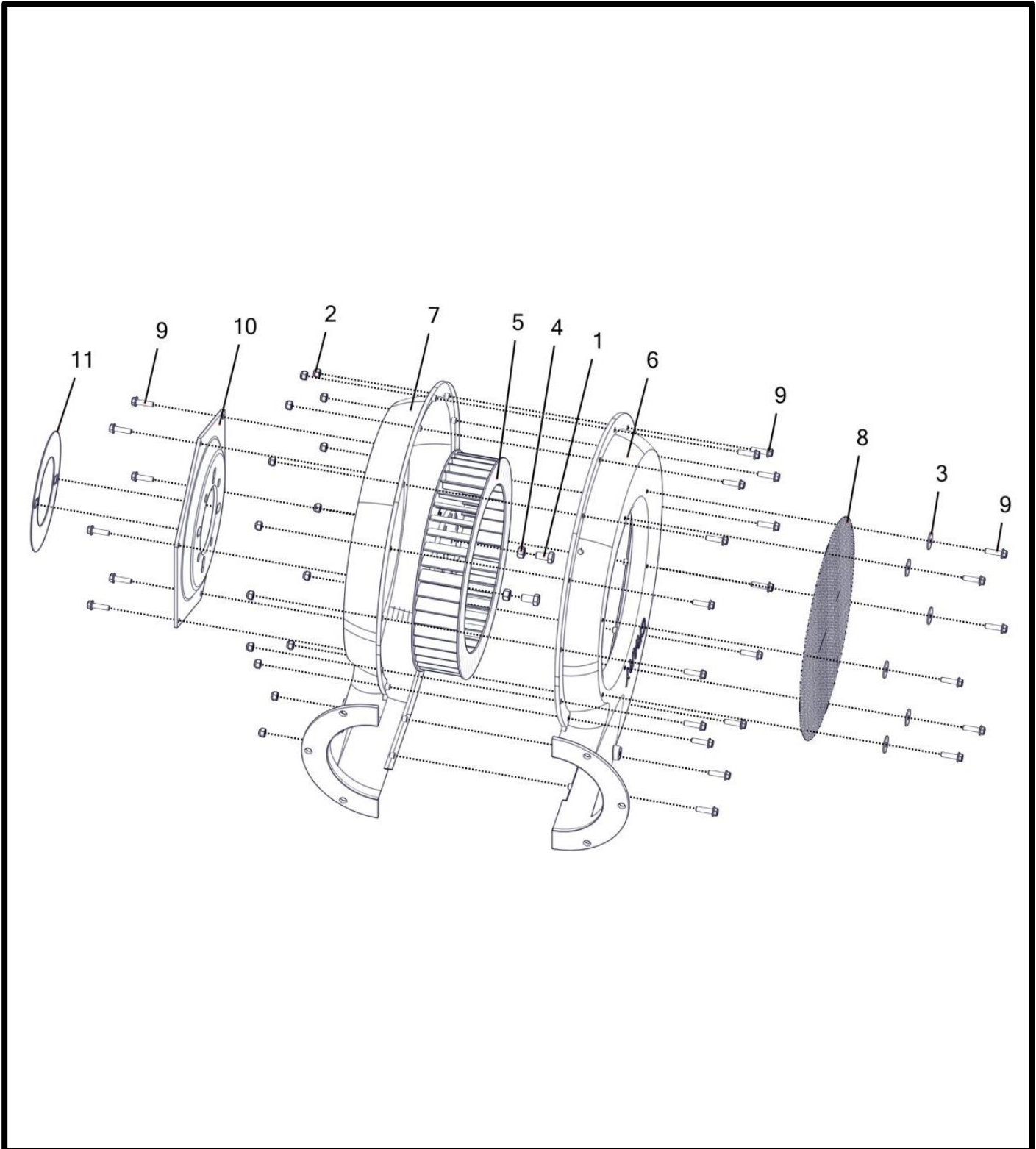


Fan Motor Mount and Speed Sensor

Item No.	Qty	Part Number	Description
		A002425	Fan - Crary 6" Flange Mount CCW w/Motor (51461)
1	2	P000041	Bolt - 1/2-13 x 1.5 x 1.25 Hex (GR 5 M/S FA)
2	2	P000058	Nut - 1/2-13 Hex Nylon Lock (GR 5 M/S FA)
3	1	P002844	Bushing - QD Taper Lock JA x 1" Bore x .25" Keyway
4	1	P002494	Fan - Crary 6" Flange Mount CCW (50145)
5	1	P002528	Sensor - Inductive Proximity, NPN, N.O. Output, 12mm Dia., 4-Pin M12
6	3	P002699	Screw - #10-24 x 1 Machine Hex Head (GR 5 M/S FG) *
7	3	P002700	Washer - #10 Split Lock (0.334" OD) (GR 5 M/S FG) *
8	1	P002733__	Bracket - 6" Crary Fan Speed Sensor Mount
9	1	P002755	Motor - Hyd. Piston Bent Axis 12 C/C, SAE B (51722-00)

(*) Included In K002140 - Kit - Fan Hub Hardware (QD Bushing) (JA)

Fan Assembly



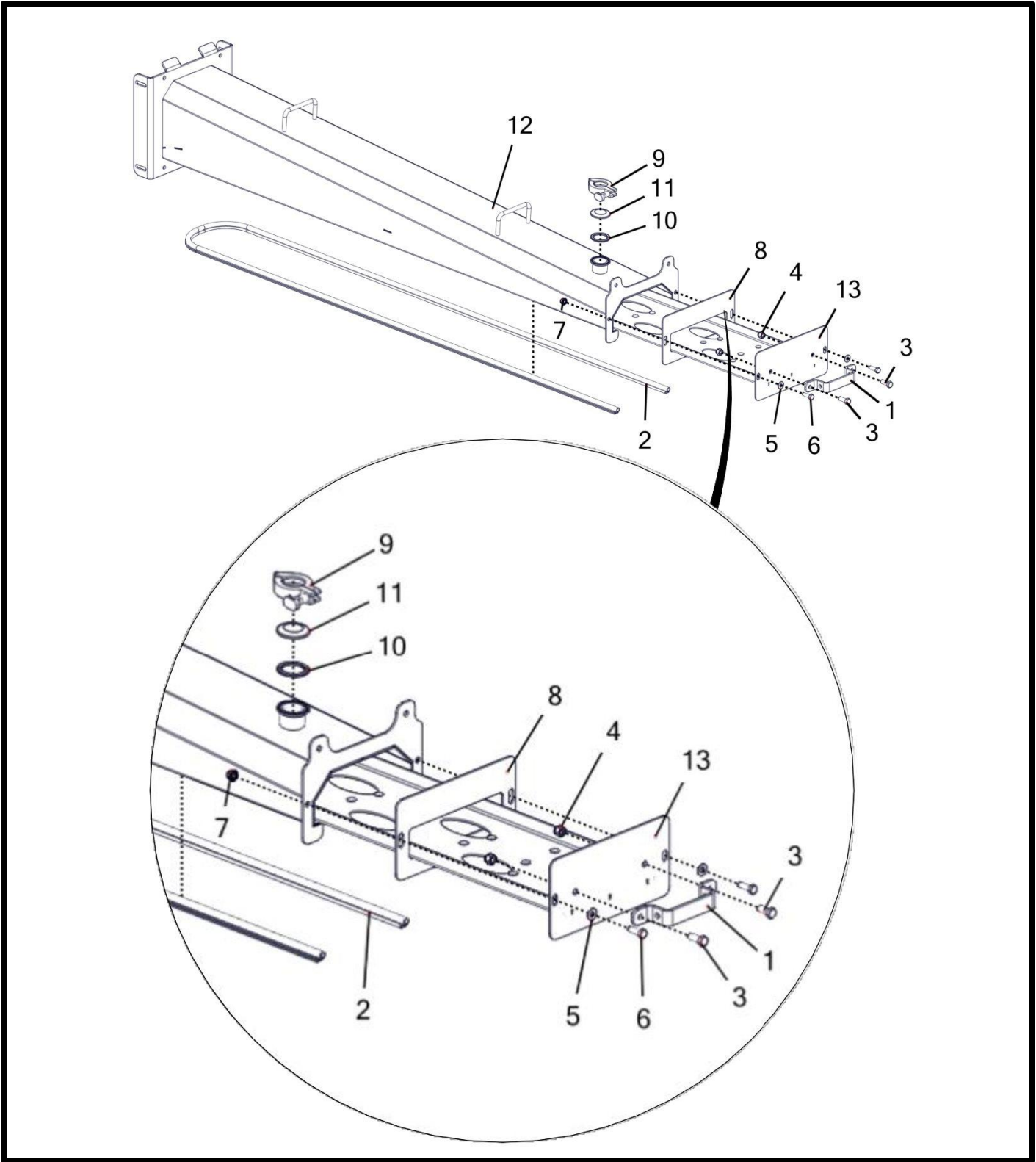
Fan Assembly

Item No.	Qty	Part Number	Description
		P002494	Fan - Crary 6" Flange Mount CCW (50145)
1	2	P000038	Bolt - 3/8-16 x 0.75 x 0.75 Hex (GR 5 M/S FA)
2	15	P000056	Nut - 1/4-20 Hex Nylon Lock (GR 5 M/S FA) *
3	6	P000108	Washer - 1/4" Fender (1" OD) (18-8 S/S FB) †
4	2	P000759	Nut - 3/8-16 Hex (GR 5 M/S FA)
5	1	P002498	Fan - Crary 6" Impeller CCW (17089)
6	1	P002529	Housing - Crary 6" Flange Mount (LH)
7	1	P002530	Housing - Crary 6" Flange Mount (RH)
8	1	P002532	Screen - Crary 6" Fan Inlet (20002)
9	27	P002534	Bolt - 1/4-20 x 1 x 1 Flange (GR 5 M/S FA) * †
10	1	P002757__	Plate - Fan Motor Mount Crary 6" (7/16" Offset)(23317-12)
11	1	P002758__	Plate - Fan Motor Seal (2B) Crary 6" (23907)

(*) Included In K002200 - Kit - Crary Fan 6" Hardware

(†) Included In K002201 - Kit - Crary 6" Fan Screen And Motor Mount Plate Hardware

Plenum Assembly

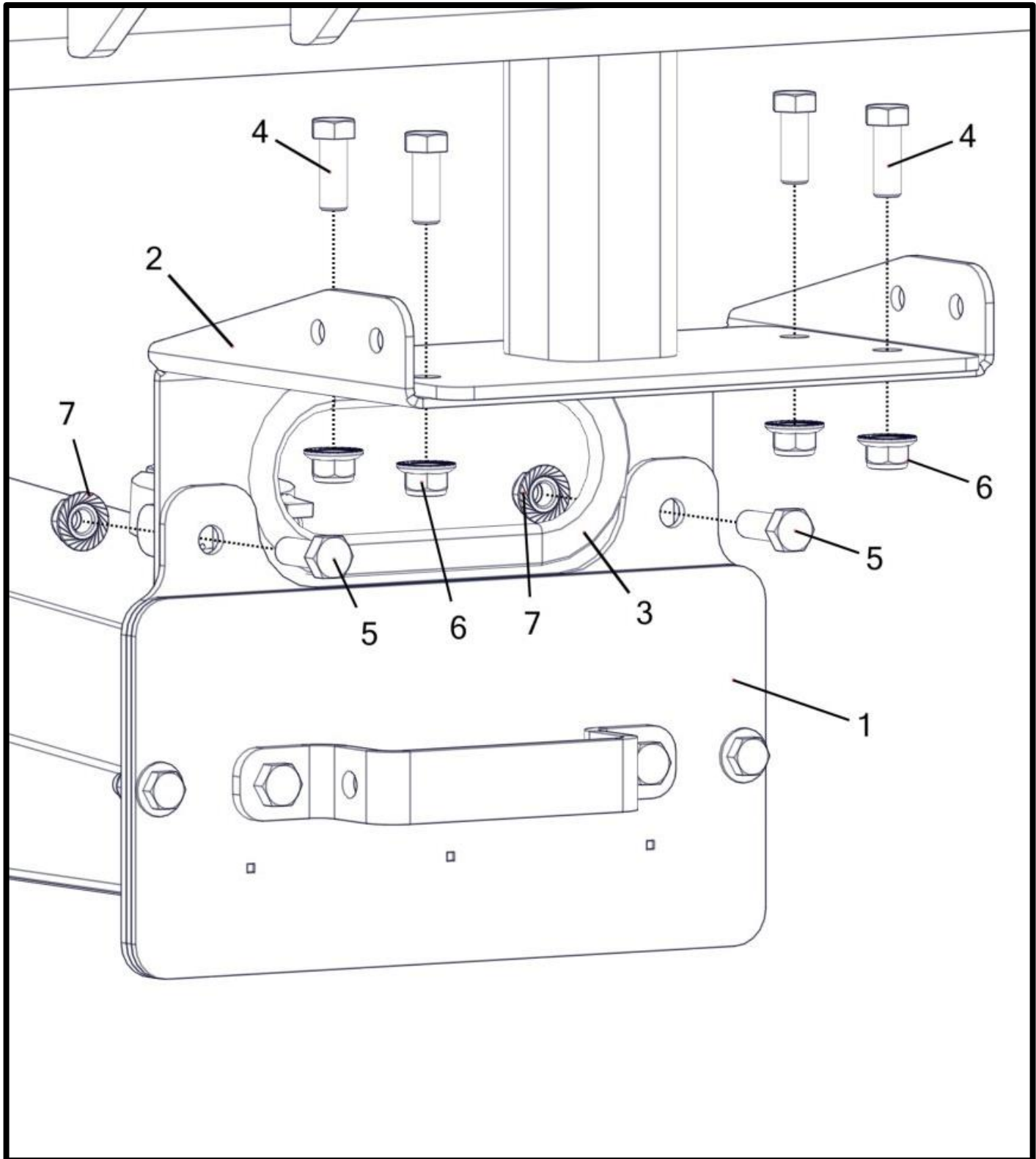


Plenum Assembly

Item No.	Qty	Part Number	Description
		A002224	Plenum - Reverse 12 Row Gen II Assembly
1	1	M000016	Handle - Poly Lid
2	1	M002830	Seal - Plenum Edge Grip 12 Row Gen II (R0173)
3	2	P000097	Bolt - 3/8-16 x 1 x 1 Hex (F593 304 S/S FB) *
4	2	P000105	Nut - 3/8-16 Hex Nylon Lock (F594 316 S/S FB)*
5	2	P000109	Washer - 5/16" Flat (0.75" OD) (18-8 S/S FB)*
6	2	P000711	Bolt - 5/16-18 x 1 x 0.875 Hex (F593 304 S/S FB)*
7	2	P002224	Nut - 5/16-18 Flange Nylon Lock (18-8 S/S FB)*
8	1	P002243	Gasket - Plenum Tray Seal
9	1	P002252	Clamp- 1-1/2" Sanitary Fitting
10	1	P002257	Gasket - 1-1/2" Sanitary O-Ring Flange
11	1	P002258	Cap- 1" To 1 1/2" Sanitary Quick Clamp
12	1	W002457	Plenum - 12 Row Weldment
13	1	W002458	Tray - Plenum Reverse Air Chamber Mount Gen II 12 Row

(*) Included In K002042 - Kit - Plenum Assembly Hardware Gen II

Rear Plenum Area (A002225_ _)

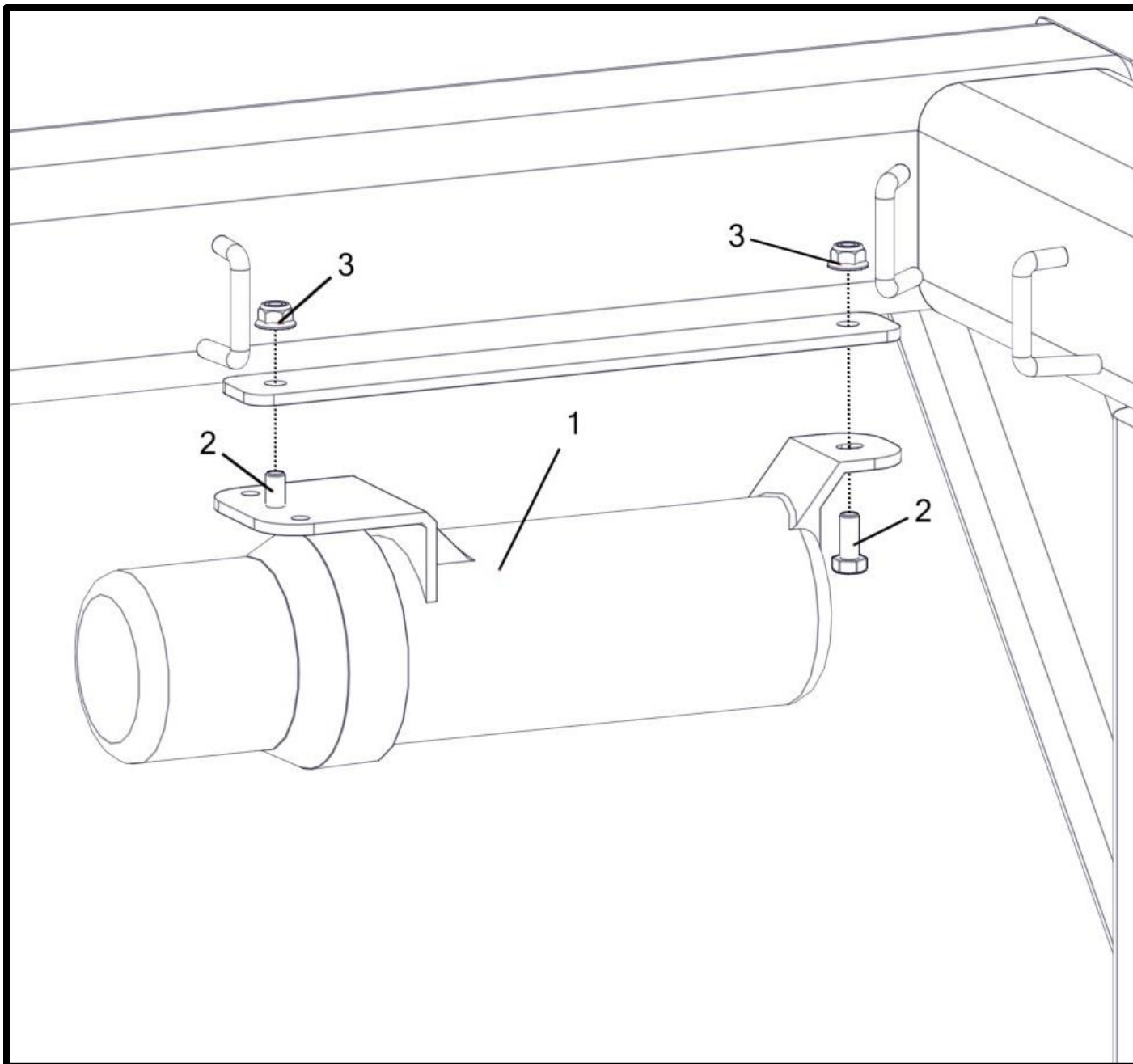


Rear Plenum Area (A002225_ _)

Item No.	Qty	Part Number	Description
		A002225_ _	Plenum - Reverse Air Chamber Sub-Assembly Gen II 12 Row
1	1	A002224	Plenum - Reverse 12 Row Gen II Assembly
2	1	M002112_ _	Bracket - Rear Plenum Mount Gen II
3	1	M003068	Trim - Plenum Rear Mount Bracket (R0194)
4	4	P000039	Bolt - 3/8-16 x 1 x 1 Hex (GR 5 M/S FA) *
5	2	P000097	Bolt - 3/8-16 x 1 x 1 Hex (F593 304 S/S FB) *
6	4	P002205	Nut - 3/8-16 Flange Nylon Lock (GR 5 M/S FA) *
7	2	P002225	Nut - 3/8-16 Flange Nylon Lock (18-8 S/S FB) *

(*) Included In **(N)** K002221 - Kit - Plenum Mount Hardware Gen II

Manual Holder

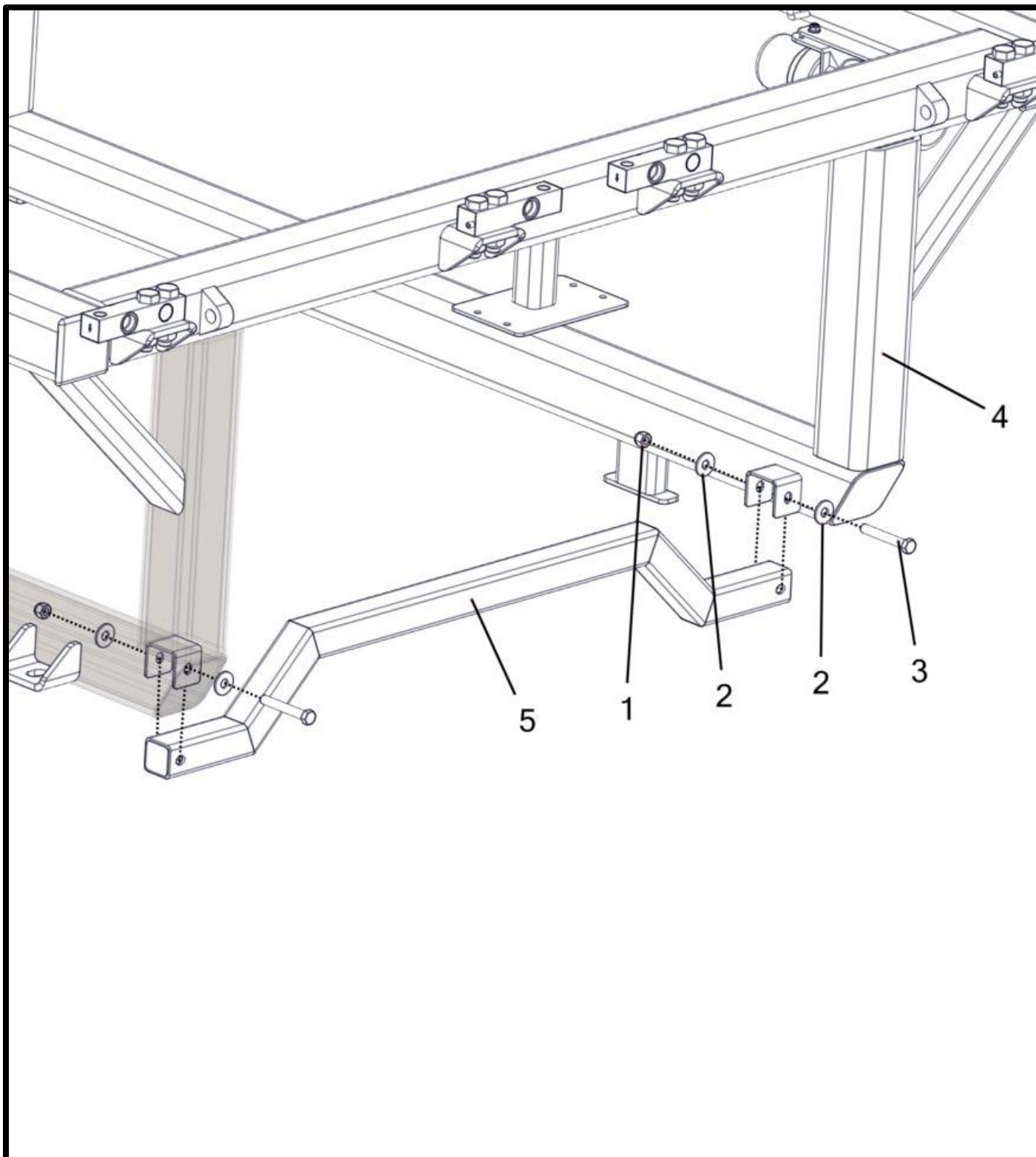


Manual Holder

Item No.	Qty	Part Number	Description
1	1	P000317	Holder - Instruction Manual
2	2	P000318	Bolt - 5/16-18 x 0.75 x 0.75 Hex (GR 5 M/S FA) *
3	2	P002217	Nut - 5/16-18 Flange Nylon Lock (GR 5 M/S FA) *

(*) Included In K002091 - Kit - Misc. Rear Mounting Hardware Gen II

Cradle Rear Lower Cross Support

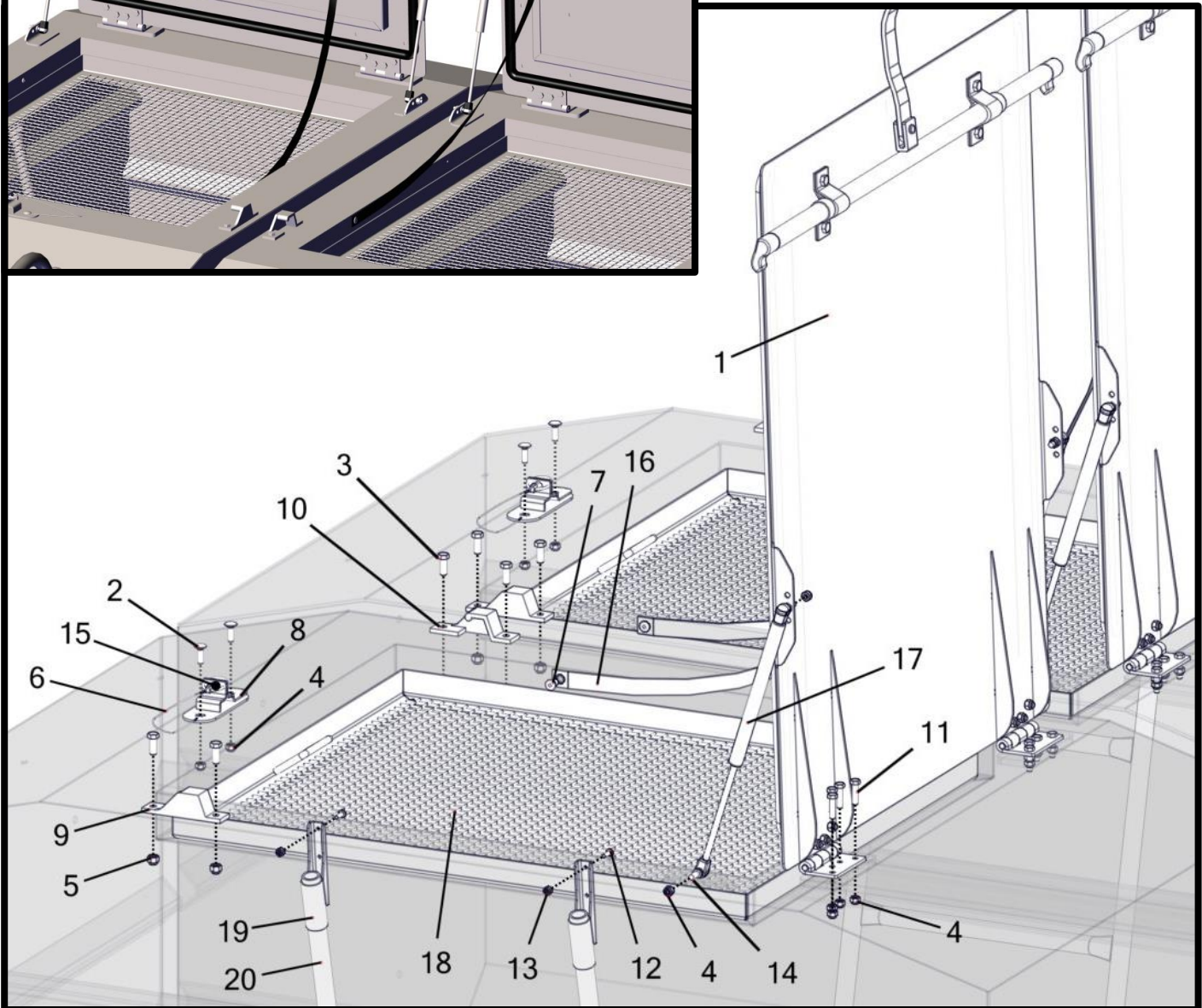
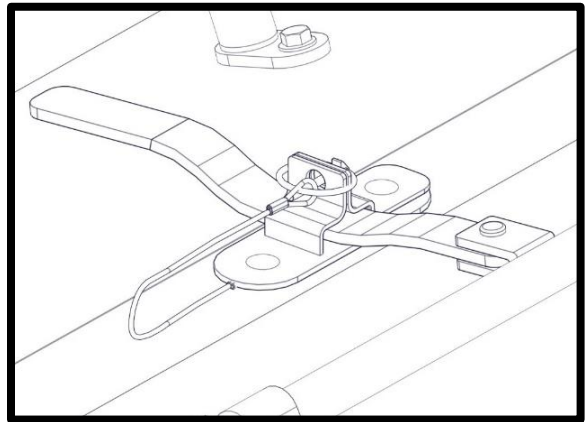
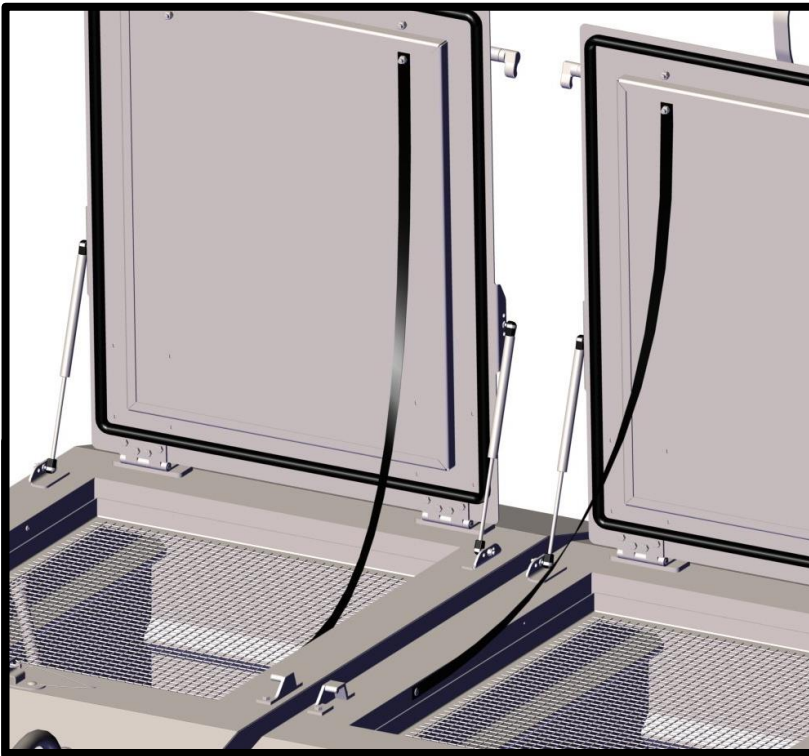


Cradle Rear Lower Cross Support

Item No.	Qty	Part Number	Description
1	2	P000058	Nut - 1/2-13 Hex Nylon Lock (GR 5 M/S FA) *
2	4	P000067	Washer - 1/2" USS Flat (1.375" OD) (GR 5 M/S FA) *
3	2	P002591	Bolt - 1/2-13 x 3.5 x 1.25 Hex (GR 5 M/S FA) *
4	1	W002452__	Cradle - STS 12 Gen II 12 Row
5	1	W002489__	Support - STS Cradle Rear Lower Cross

(*) Included In K002100 - Kit - STS Cradle Rear Lower Cross Support Mounting

Tank Lid Area

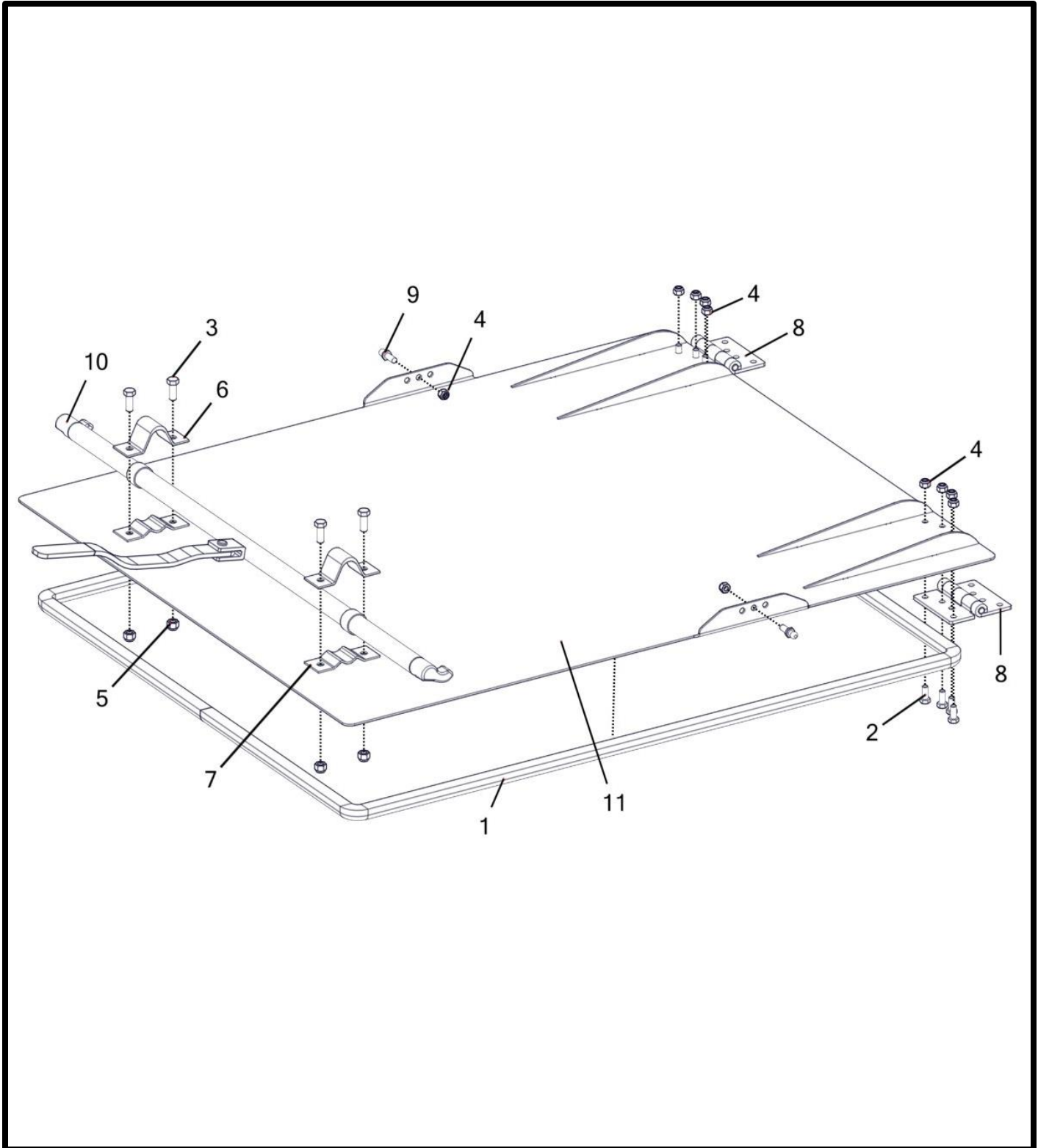


Tank Lid Area

Item No.	Qty	Part Number	Description
1	2	A002227	Lid - S/S Tank Gen II 12 Row Assembly
2	4	P000094	Bolt - 5/16-18 x 1 x 1 Carriage (F593 304 S/S FB) *
3	8	P000097	Bolt - 3/8-16 x 1 x 1 Hex (F593 304 S/S FB) *
4	24	P000104	Nut - 5/16-18 Hex Nylon Lock (F594 316 S/S FB) *
5	8	P000105	Nut - 3/8-16 Hex Nylon Lock (F594 316 S/S FB) *
6	2	(R) P002828	Lanyard - .063" x 12" S/S Cable (PVC Coated) (Loop through P002612 on one end, and on the other end underneath P002267 around bolt P000094.)
7	2	P002249	Rivet - 3/16" Large Flange 5/8"-3/4" Grip (18-8 S/S FB)
8	2	P002267	Bracket - Hasp Bar Lock
9	2	P002275	Keeper - Bar Cam Lock (A)
10	2	P002278	Keeper - Bar Cam Lock (B)
11	16	P002282	Bolt - 5/16-18 x 1.25 x 0.875 Hex (F593 304 S/S FB) *
12	4	P002492	Screw - #12-24 x 0.75 Machine Pan Head Phillips (18-8 S/S FB)
13	4	P002493	Nut - #12-24 Hex Nylon Lock (18-8 S/S FB)
14	4	P002499	Ball - 10mm S/S w/ 5/16-18 Stud
15	2	P002612	Pin - 3/16" Lynch (18-8 S/S FB)
16	2	P002614	Strap - 1" x 60" Safety
17	4	P002714	Cylinder - Gas Spring w/ 10mm Ball Socket Ends
18	2	W000160	Screen - Tank Top (3/4" C/C)
19	4	W002368	Bracket - Inside Tank Ladder Hold Gen II-D
20	2	W002481	Ladder - Inside S/S Tank Gen II 12 Row

(*) Included In K002092 - Kit - Lid Mount Hardware

Tank Lids

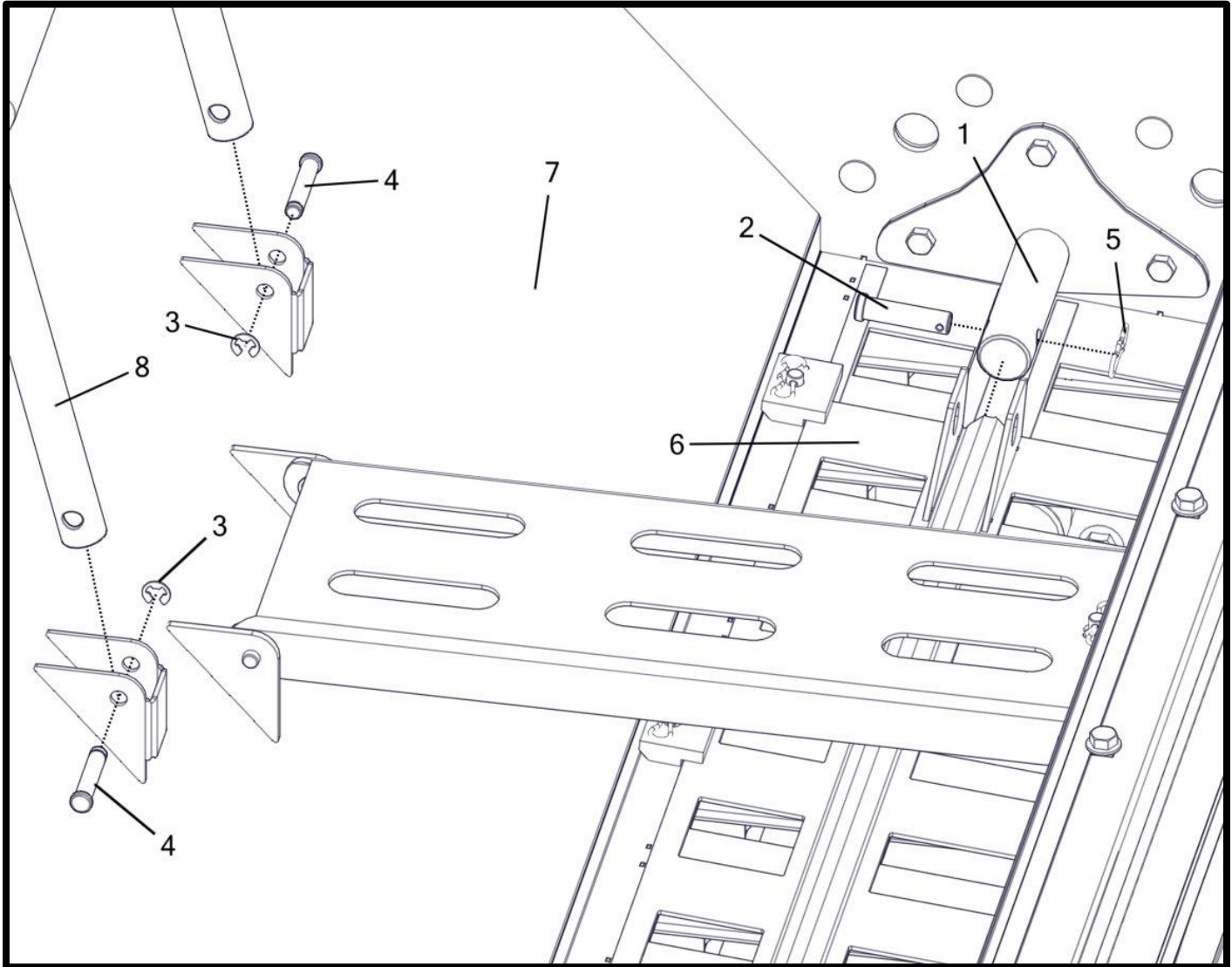


Tank Lids

Item No.	Qty	Part Number	Description
		A002227	Lid - S/S Tank Gen II 12 Row Assembly
1	1	M002906	Seal - S/S Tank Lid Gasket Gen II 12 Row (R0184)
2	8	P000093	Bolt - 5/16-18 x 0.75 x 0.75 Hex (F593 304 S/S FB) *
3	4	P000097	Bolt - 3/8-16 x 1 x 1 Hex (F593 304 S/S FB) *
4	10	P000104	Nut - 5/16-18 Hex Nylon Lock (F594 316 S/S FB) *
5	4	P000105	Nut - 3/8-16 Hex Nylon Lock (F594 316 S/S FB) *
6	2	P002269	Bracket - Top Lid Pipe Retainer
7	2	P002270	Bracket - Bottom Pipe Retainer
8	2	P002452	Hinge - Butt 4" x 4" x 3/16" (3/8" Pin) 304 S/S
9	2	P002499	Ball - 10mm S/S w/ 5/16-18 Stud
10	1	W002471	Lock - Lid Cam Bar Gen II 12 Row (S/S Tank)
11	1	W002473	Lid - S/S Tank Gen II 12 Row

(*) Included In K002202 - Kit - Lid Assembly Hardware Fortifier

Inside Tank / Ladder Area



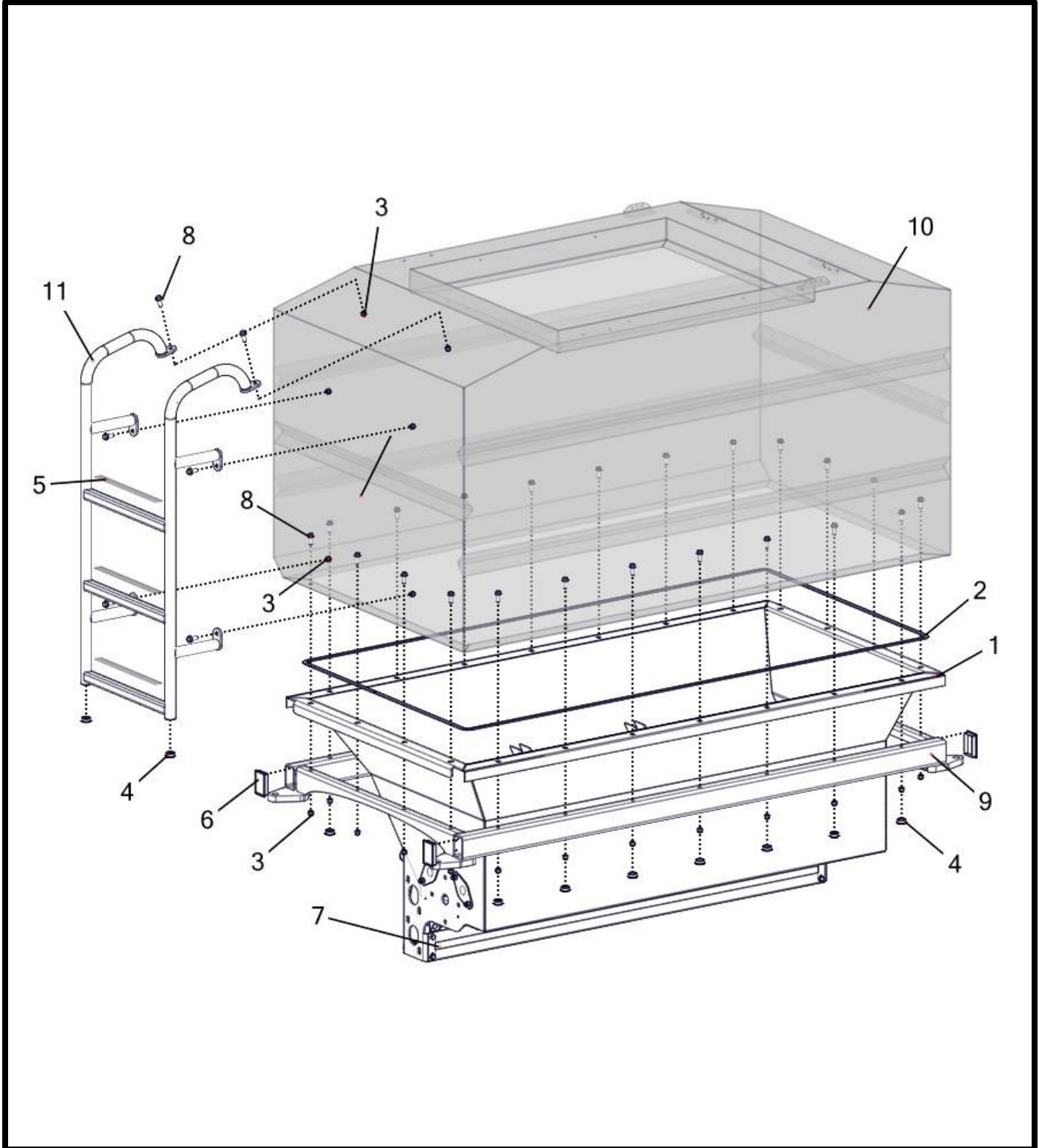
Inside Tank / Ladder Area

Item No.	Qty	Part Number	Description
1	1	A002235__	Cylinder - Slide Gate Sub-Assembly 12 Row
2	1	P002064	Pin - 1/2" x 2" Clevis *
3	2	P002215	Retainer - 3/8" E-Clip *
4	2	P002216	Pin - Grooved Clevis 3/8" X 2" X 1 13/16" (18-8 S/S)
5	1	P002255	Pin - Hairpin Bowtie 3/8" x 3/32" x 1 7/8" *
6	1	W002449	Slide Gate - 12 Row
7	1	W002450	Trough - Gen II 12 Row Meter
8	1	W002481	Ladder - Inside S/S Tank Gen II 12 Row

(*) Included In K002147 - Kit - Misc. Inside Tank Hardware Gen II

Qty's Shown In Bom Are For One Tank.

Tank 1 - Tank/Trough Assembly

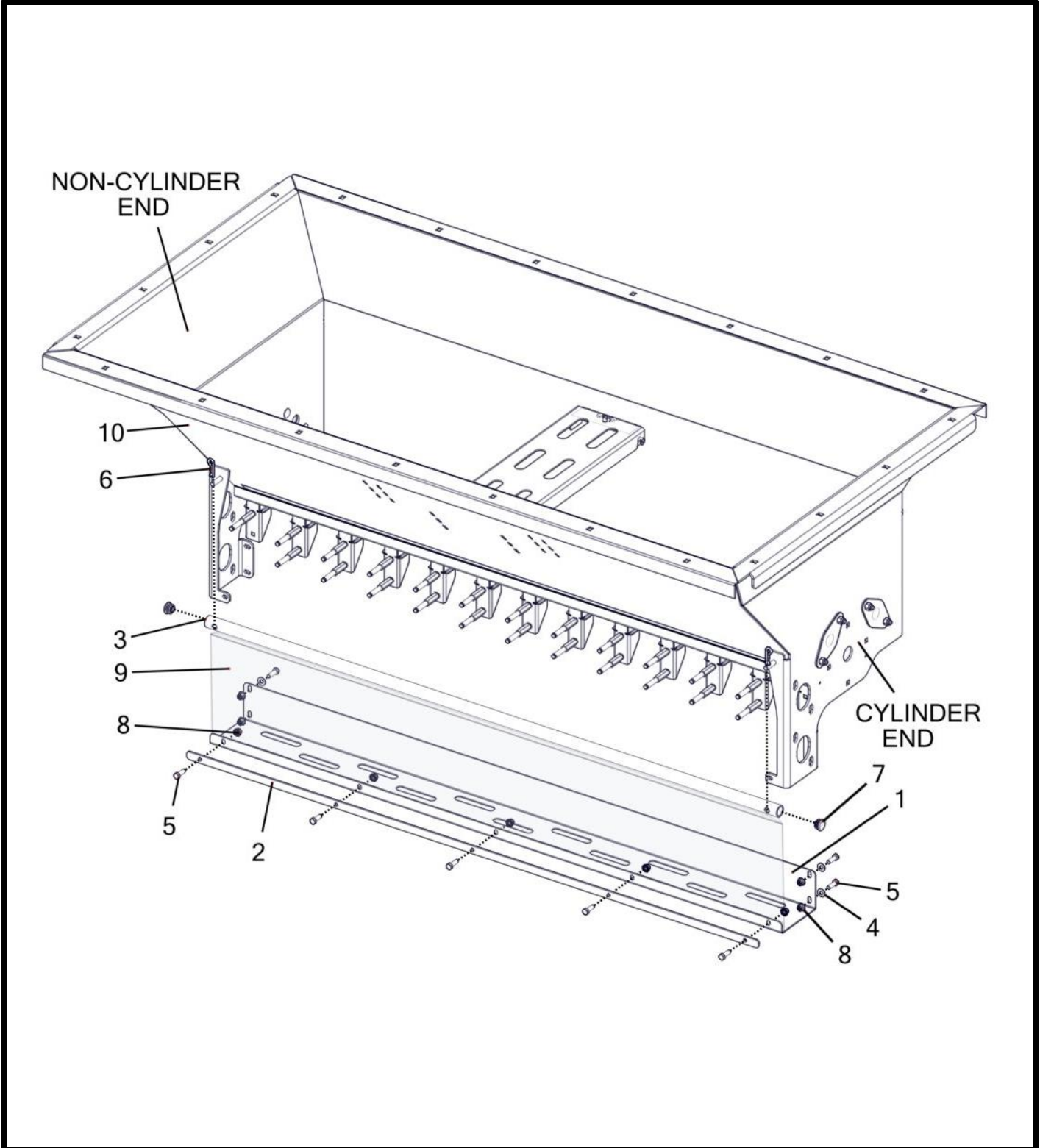


Tank 1 - Tank/Trough Assembly

Item No.	Qty	Part Number	Description
		A002222_ _	Tank/Trough Assembly (LH) (Tank 1)
1	1	A002223	Meter - Gen II 12 Row STS Rear Cyl. Mount Assembly (LH)
2	1	M002822	Seal - Tank To Meter Gen II 12 Row
3	28	P000105	Nut - 3/8-16 Hex Nylon Lock (F594 316 S/S FB) *
4	16	P000458	Cap - 1-1/4" x 10-14 GA Round Tube Plastic
5	3	P000473	Decal - Anti-Slip Safety Tape (1" x 13") Black 36g
6	4	P002204	Cap - 3" x 2" Plastic (6-8 Ga)
7	1	P002482	Decal - Tank Row Label (L-A) (12 Row)
8	28	P002541	Bolt - 3/8-16 x 1 x 1 Flange (18-8 S/S FB) *
9	1	W002451_ _	Frame - Poly Tank Mount Gen II 12 Row
10	1	W002469	Tank - 70 Cubic Feet S/S (LH) Gen II 12 Row
11	1	W002476_ _	Ladder - Exterior Tank STS 12 Gen II 12 Row

(*) Included In K002085 - Kit - Tank Assembly Hardware Gen II 12 Row

Trough - Shield And Bracket (Tank 1)

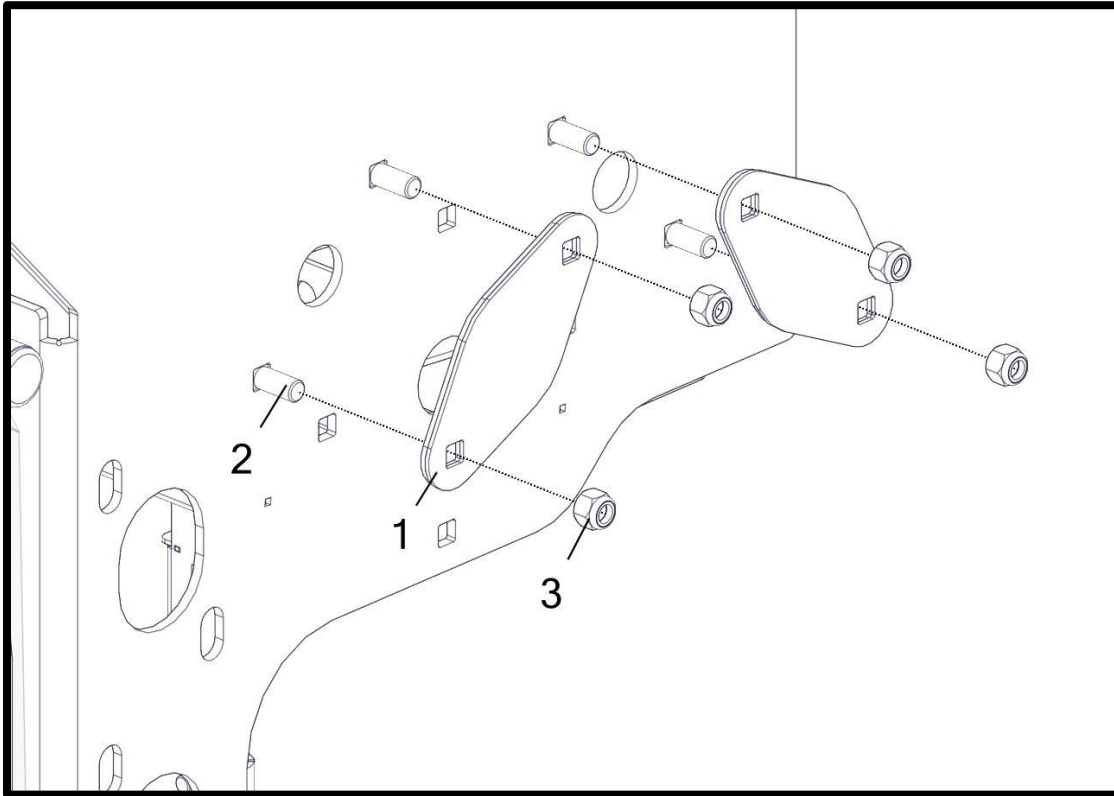


Trough - Shield And Bracket (Tank 1)

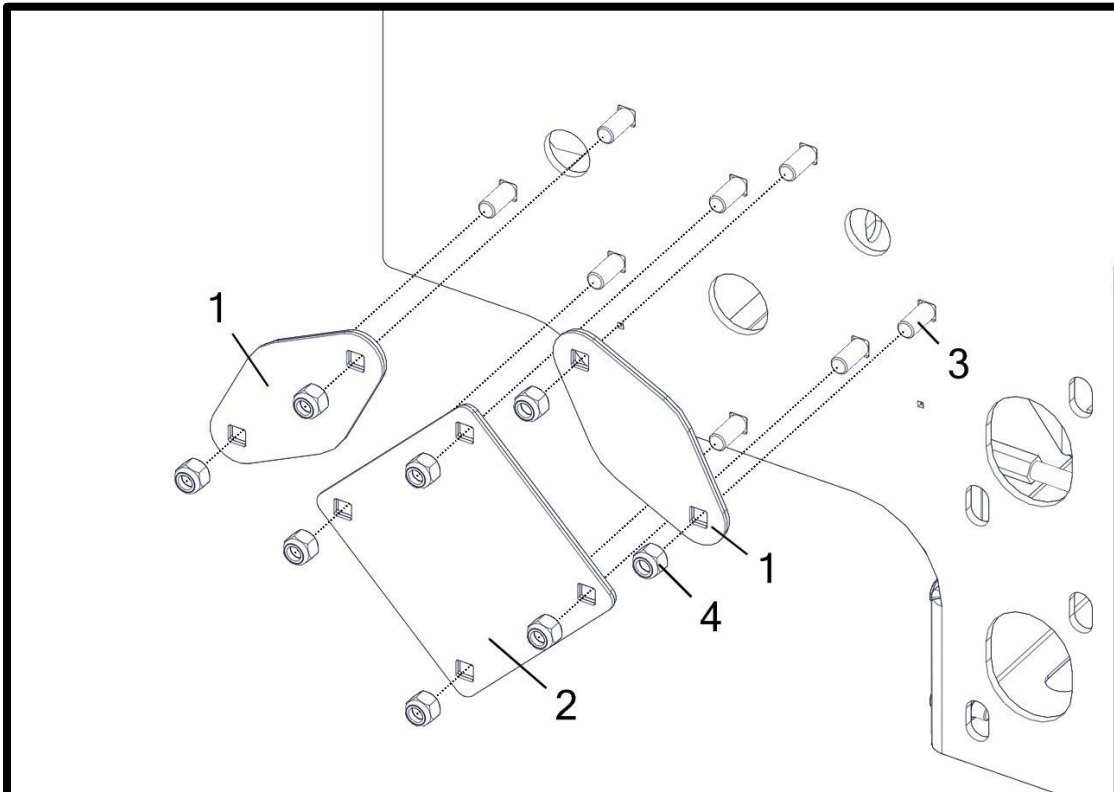
Item No.	Qty	Part Number	Description
		A002223	Meter - Gen II 12 Row STS Rear Cyl. Mount Assembly (LH) (Tank 1)
1	1	M002816	Bracket - Tarp Guard Mounting Gen II 12 Row
2	1	M002818	Plate - Vinyl Tarp Shield Gen II 12 Row
3	1	M002819	Tube - Shield Tarp Gen II 12 Row
4	4	P000109	Washer - 5/16" Flat (0.75" OD) (18-8 S/S FB) *
5	9	P000711	Bolt - 5/16-18 x 1 x 0.875 Hex (F593 304 S/S FB) *
6	2	P002007	Hairpin Clip - 3/8" x 1 5/8" S/S
7	2	P002055	Cap - 3/4" Plastic Pipe
8	9	P002224	Nut - 5/16-18 Flange Nylon Lock (18-8 S/S FB) *
9	1	P002475	Tarp - Clear Vinyl Shield Gen II 12 Row
10	1	W002450	Trough - Gen II 12 Row Meter

(*) Included In K002086 - Kit - Gen II 12 Row STS Trough Hardware

Trough - Cylinder End (Tank 1)



Trough - Non-Cylinder End (Tank 1)



Trough - Cylinder End (Tank 1)

Item No.	Qty	Part Number	Description
		A002223	Meter - Gen II 12 Row STS Rear Cyl. Mount Assembly (LH) (Tank 1)
1	2	A002147	Cover - Agitator End Plate w/ Gasket
2	4	P000098	Bolt - 3/8-16 x 1 x 1 Carriage (F593 304 S/S FB) *
3	4	P000105	Nut - 3/8-16 Hex Nylon Lock (F594 316 S/S FB) *

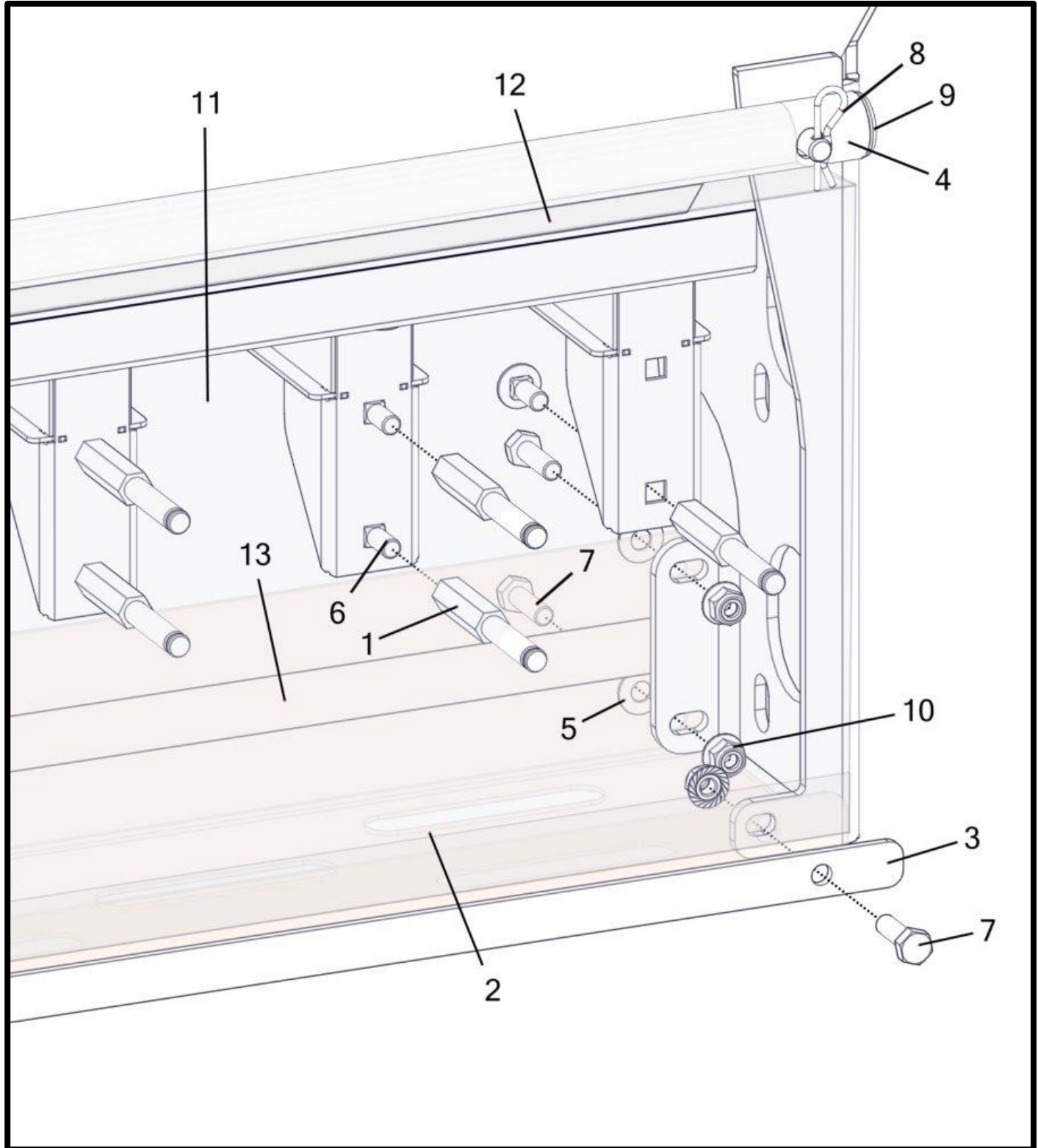
(*) Included In K002086 - Kit - Gen II 12 Row STS Trough Hardware

Trough - Non-Cylinder End (Tank 1)

Item No.	Qty	Part Number	Description
		A002223	Meter - Gen II 12 Row STS Rear Cyl. Mount Assembly (LH) (Tank 1)
1	2	A002147	Cover - Agitator End Plate w/ Gasket
2	1	A002148	Cover - Slide Gate Cylinder Hole Plate w/ Gasket
3	8	P000098	Bolt - 3/8-16 x 1 x 1 Carriage (F593 304 S/S FB) *
4	8	P000105	Nut - 3/8-16 Hex Nylon Lock (F594 316 S/S FB) *

(*) Included In K002086 - Kit - Gen II 12 Row STS Trough Hardware

Trough - Hanger And Bracket (Tank 1)

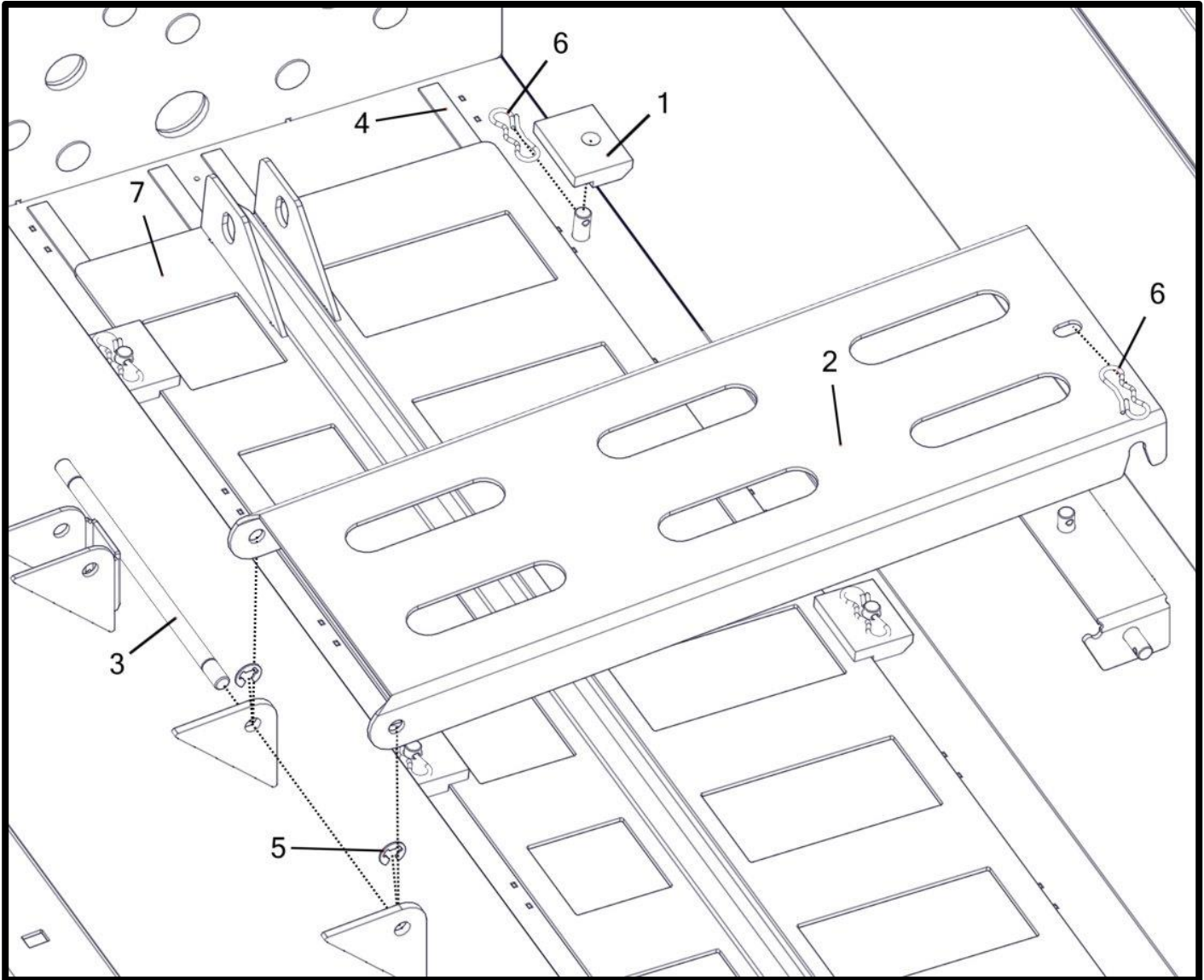


Trough - Hanger And Bracket (Tank 1)

Item No.	Qty	Part Number	Description
		A002223	Meter - Gen II 12 Row STS Rear Cyl. Mount Assembly (LH) (Tank 1)
1	24	M002186	Pin - 1/2" Hex 3/8" Gearbox
2	1	M002816	Bracket - Tarp Guard Mounting Gen II 12 Row
3	1	M002818	Plate - Vinyl Tarp Shield Gen II 12 Row
4	1	M002819	Tube - Shield Tarp Gen II 12 Row
5	4	P000109	Washer - 5/16" Flat (0.75" OD) (18-8 S/S FB) *
6	24	P000527	Bolt - 5/16-18 x 0.75 x 0.75 Carriage (F593 304 S/S FB) *
7	9	P000711	Bolt - 5/16-18 x 1 x 0.875 Hex (F593 304 S/S FB) *
8	2	P002007	Hairpin Clip - 3/8" x 1 5/8" S/S
9	2	P002055	Cap - 3/4" Plastic Pipe
10	9	P002224	Nut - 5/16-18 Flange Nylon Lock (18-8 S/S FB) *
11	1	P002475	Tarp - Clear Vinyl Shield Gen II 12 Row
12	1	P002481	Decal - Tank Row Label (A-L) (12 Row)
13	1	P002482	Decal - Tank Row Label (L-A) (12 Row)

(*) Included In K002086 - Kit - Gen II 12 Row STS Trough Hardware

Trough - Slide Gate And Trough Support (Tank 1)

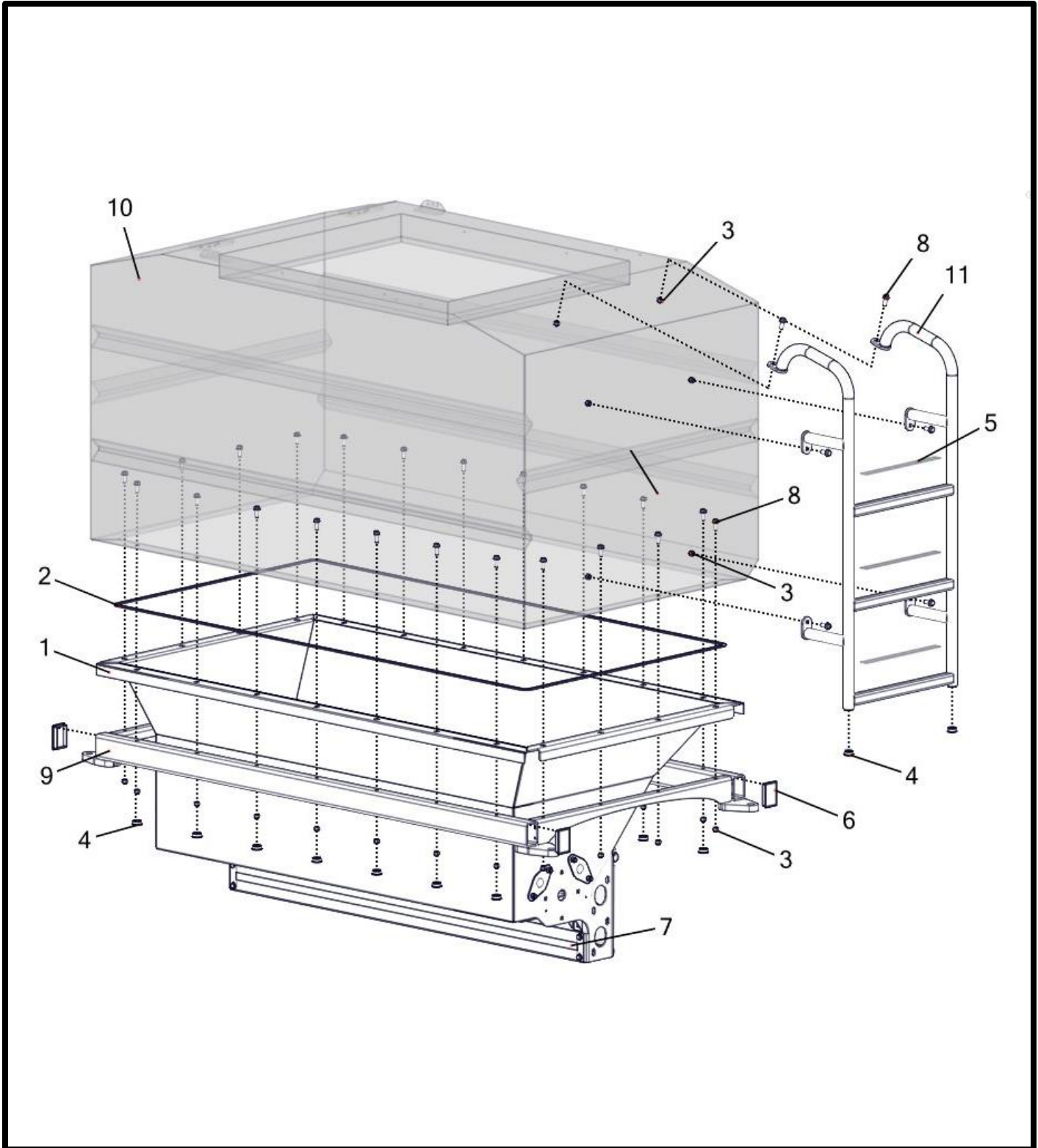


Trough - Slide Gate And Trough Support (Tank 1)

Item No.	Qty	Part Number	Description
		A002223	Meter - Gen II 12 Row STS Rear Cyl. Mount Assembly (LH) (Tank 1)
1	8	M002105	Block - UHMW Slide Gate Retainer
2	1	M002552	Support - Inner Tank Trough
3	1	M002574	Pin - Trough Support Hinge
4	4	M002817	Tape - 1/2" x 1/16" UHMW Slide Gate 12 Row (R0151)
5	2	P002215	Retainer - 3/8" E-Clip *
6	9	P002255	Pin - Hairpin Bowtie 3/8" x 3/32" x 1 7/8"
7	1	W002449	Slide Gate - 12 Row

(*) Included In K002086 - Kit - Gen II 12 Row STS Trough Hardware

Tank 2 - Tank/Trough Assembly

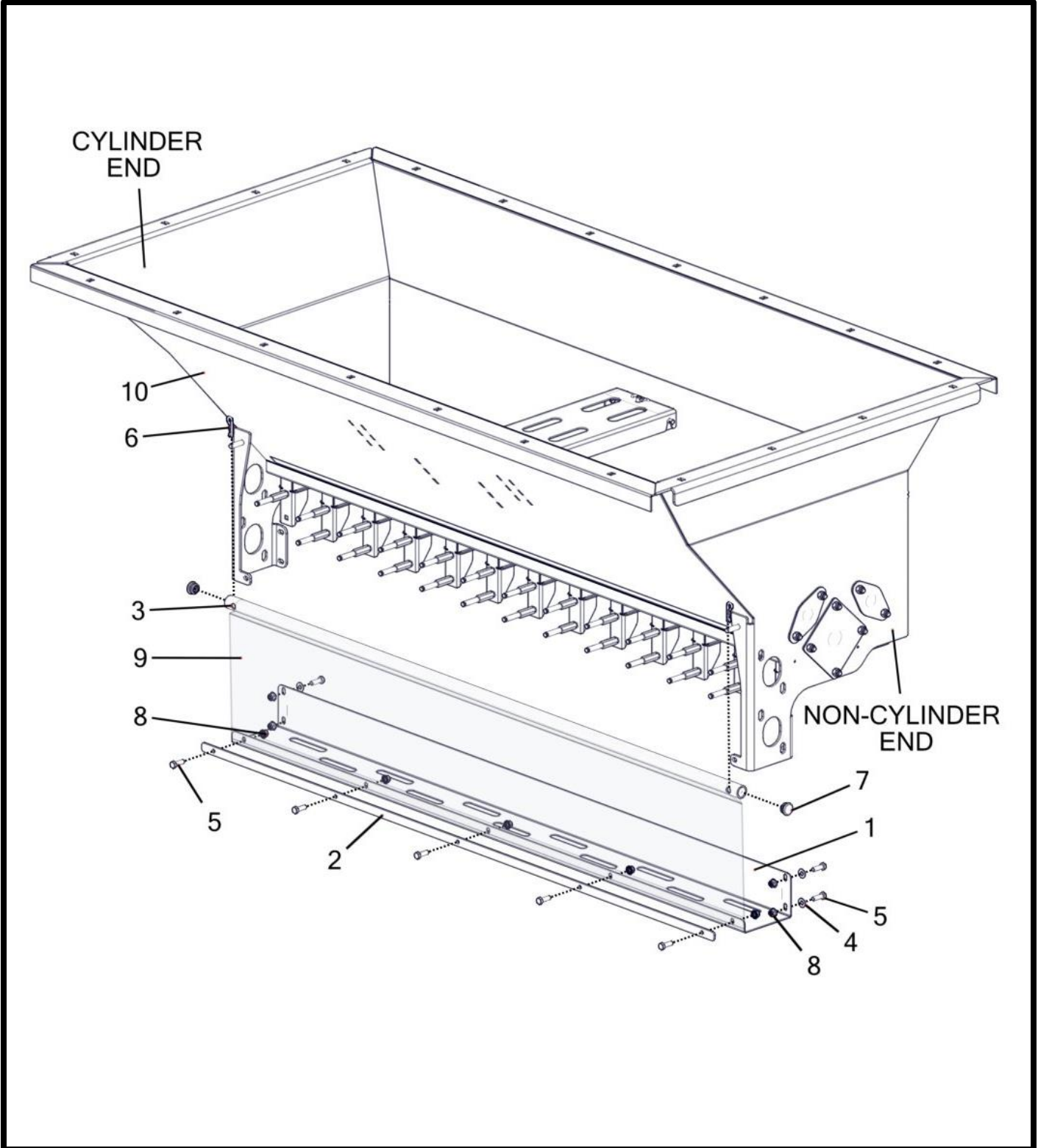


Tank 2 - Tank/Trough Assembly

Item No.	Qty	Part Number	Description
		A002220_ _	Tank/Trough Assembly (RH) (Tank 2)
1	1	A002221	Meter - Gen II 12 Row STS Rear Cyl. Mount Assembly (RH)
2	1	M002822	Seal - Tank To Meter Gen II 12 Row
3	28	P000105	Nut - 3/8-16 Hex Nylon Lock (F594 316 S/S FB) *
4	16	P000458	Cap - 1-1/4" x 10-14 GA Round Tube Plastic
5	3	P000473	Decal - Anti-Slip Safety Tape (1" x 13") Black 36g
6	4	P002204	Cap - 3" x 2" Plastic (6-8 Ga)
7	1	P002481	Decal - Tank Row Label (A-L) (12 Row)
8	28	P002541	Bolt - 3/8-16 x 1 x 1 Flange (18-8 S/S FB) *
9	1	W002451_ _	Frame - Poly Tank Mount Gen II 12 Row
10	1	W002470	Tank - 70 Cubic Feet S/S (RH) Gen II 12 Row
11	1	W002476_ _	Ladder - Exterior Tank STS 12 Gen II 12 Row

(*) Included In K002085 - Kit - Tank Assembly Hardware Gen II 12 Row

Trough - Shield And Bracket (Tank 2)

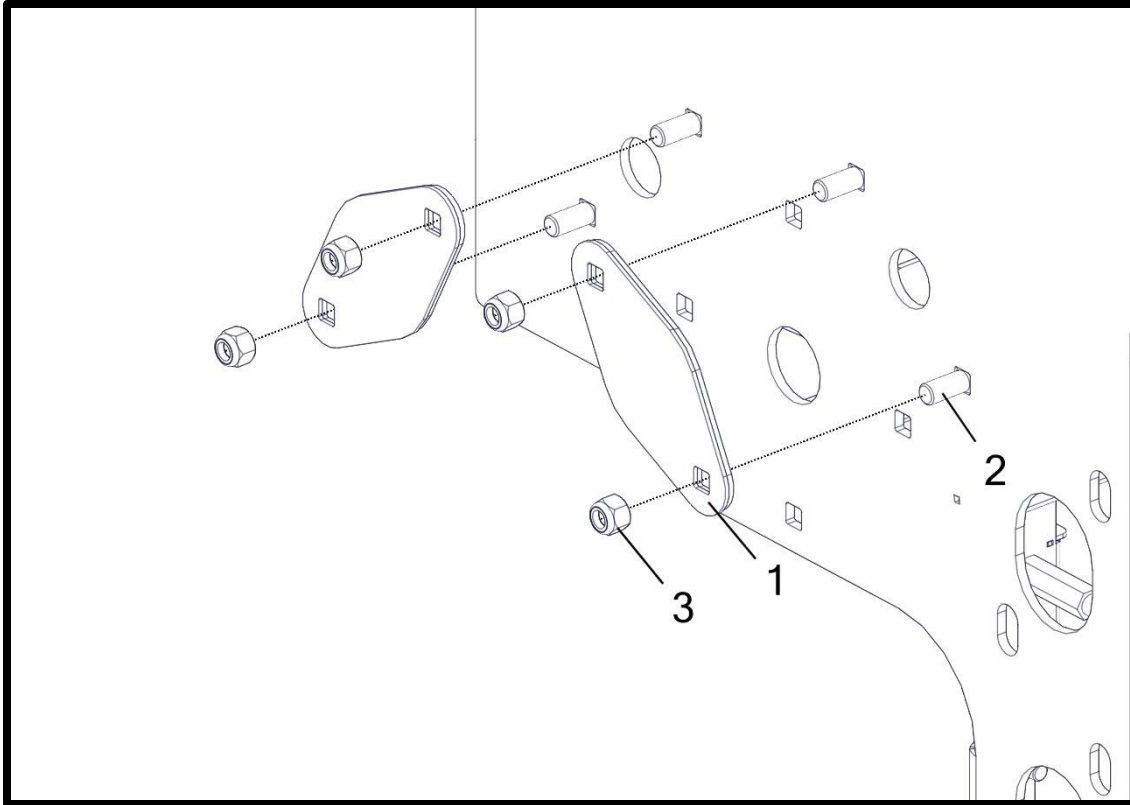


Trough - Shield And Bracket (Tank 2)

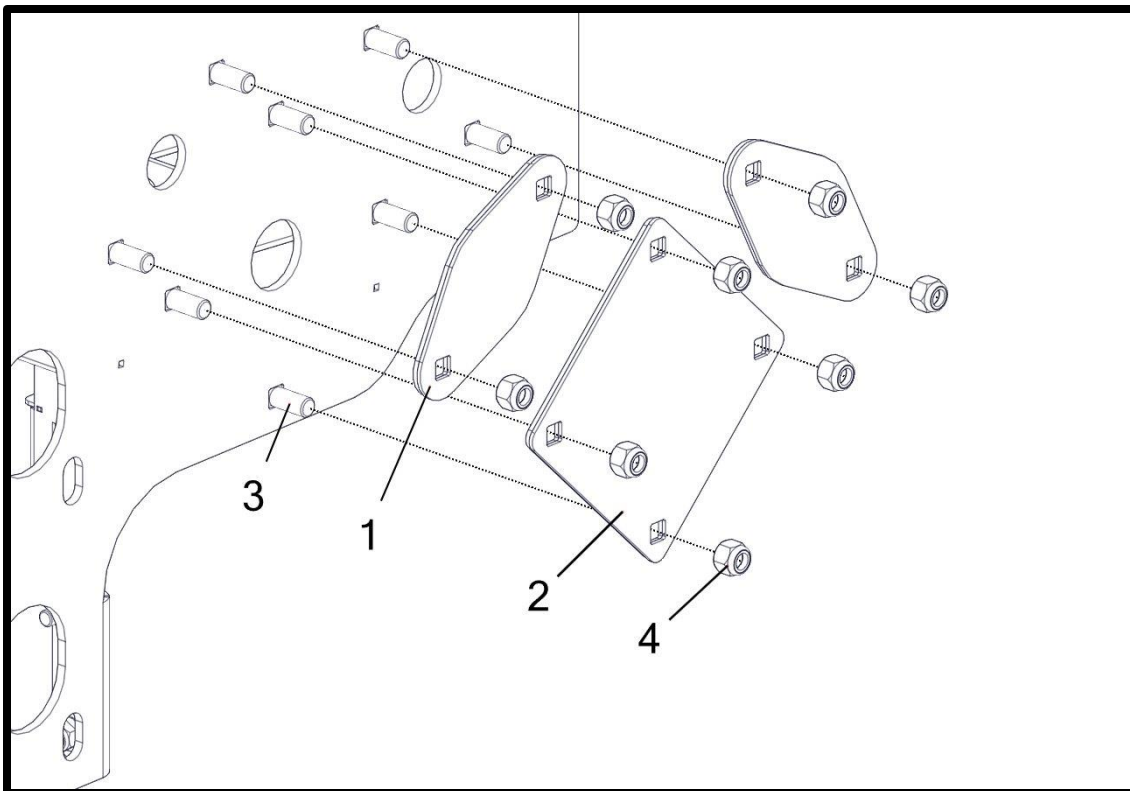
Item No.	Qty	Part Number	Description
		A002221	Meter - Gen II 12 Row STS Rear Cyl. Mount Assembly (RH) (Tank 2)
1	1	M002816	Bracket - Tarp Guard Mounting Gen II 12 Row
2	1	M002818	Plate - Vinyl Tarp Shield Gen II 12 Row
3	1	M002819	Tube - Shield Tarp Gen II 12 Row
4	4	P000109	Washer - 5/16" Flat (0.75" OD) (18-8 S/S FB) *
5	9	P000711	Bolt - 5/16-18 x 1 x 0.875 Hex (F593 304 S/S FB) *
6	2	P002007	Hairpin Clip - 3/8" x 1 5/8" S/S
7	2	P002055	Cap - 3/4" Plastic Pipe
8	9	P002224	Nut - 5/16-18 Flange Nylon Lock (18-8 S/S FB) *
9	1	P002475	Tarp - Clear Vinyl Shield Gen II 12 Row
10	1	W002450	Trough - Gen II 12 Row Meter

(*) Included In K002086 - Kit - Gen II 12 Row STS Trough Hardware

Trough - Cylinder End (Tank 2)



Trough - Non-Cylinder End (Tank 2)



Trough - Cylinder End (Tank 2)

Item No.	Qty	Part Number	Description
		A002221	Meter - Gen II 12 Row STS Rear Cyl. Mount Assembly (RH) (Tank 2)
1	2	A002147	Cover - Agitator End Plate w/ Gasket
2	4	P000098	Bolt - 3/8-16 x 1 x 1 Carriage (F593 304 S/S FB) *
3	4	P000105	Nut - 3/8-16 Hex Nylon Lock (F594 316 S/S FB) *

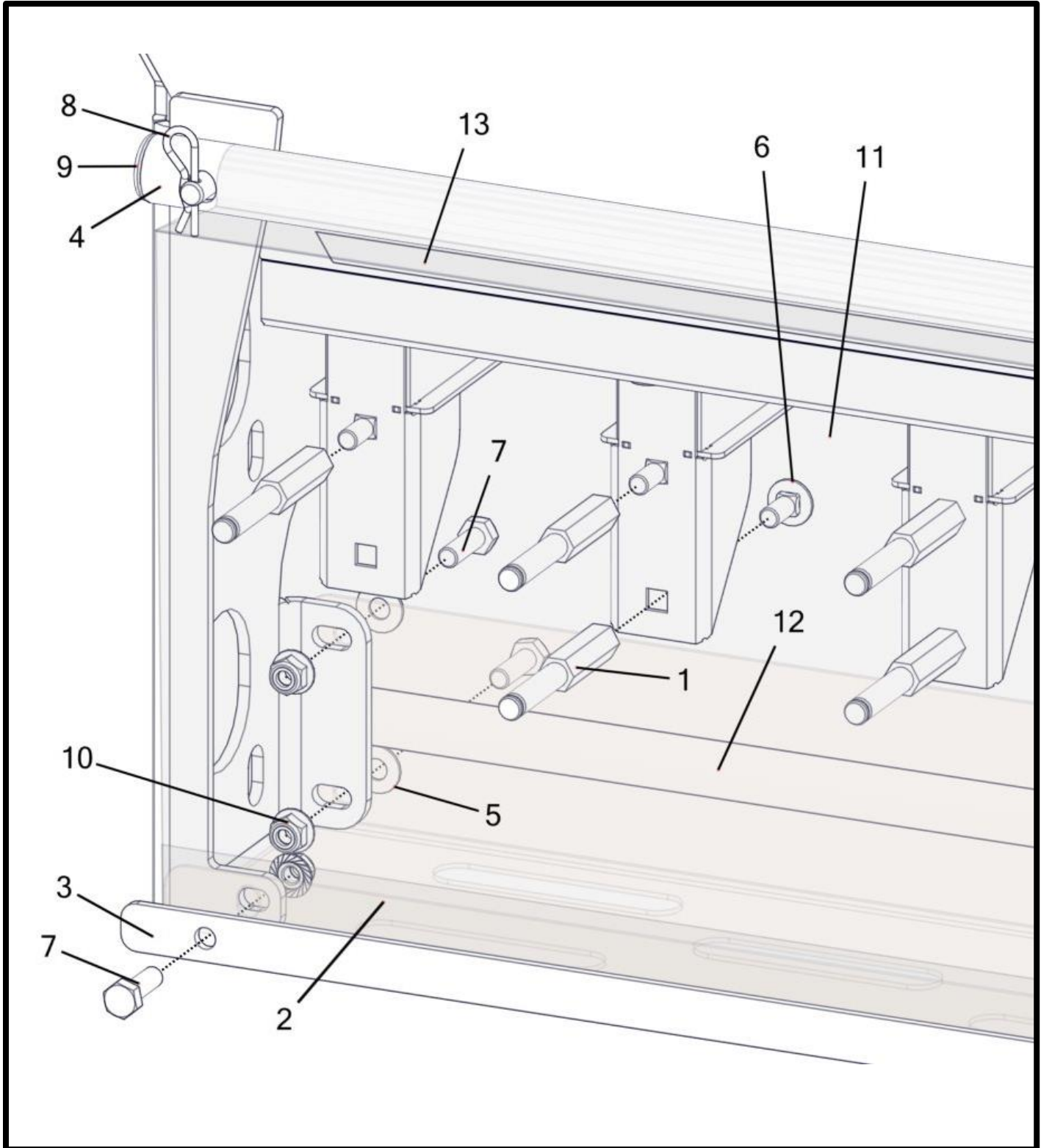
(*) Included In K002086 - Kit - Gen II 12 Row STS Trough Hardware

Trough - Non-Cylinder End (Tank 2)

Item No.	Qty	Part Number	Description
		A002221	Meter - Gen II 12 Row STS Rear Cyl. Mount Assembly (RH) (Tank 2)
1	2	A002147	Cover - Agitator End Plate w/ Gasket
2	1	A002148	Cover - Slide Gate Cylinder Hole Plate w/ Gasket
3	8	P000098	Bolt - 3/8-16 x 1 x 1 Carriage (F593 304 S/S FB) *
4	8	P000105	Nut - 3/8-16 Hex Nylon Lock (F594 316 S/S FB) *

(*) Included In K002086 - Kit - Gen II 12 Row STS Trough Hardware

Trough - Hanger And Bracket (Tank 2)

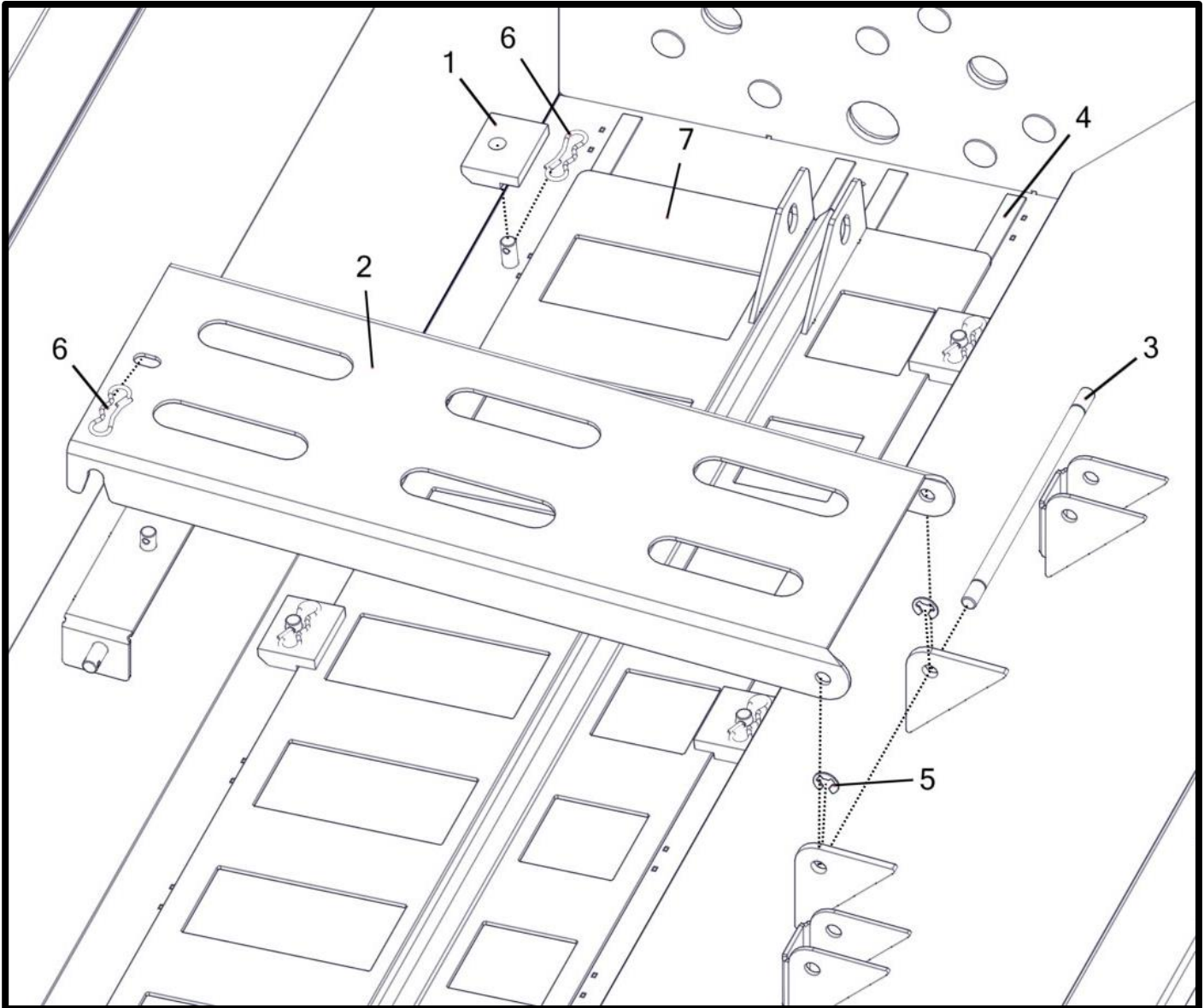


Trough - Hanger And Bracket (Tank 2)

Item No.	Qty	Part Number	Description
		A002221	Meter - Gen II 12 Row STS Rear Cyl. Mount Assembly (RH) (Tank 2)
1	24	M002186	Pin - 1/2" Hex 3/8" Gearbox
2	1	M002816	Bracket - Tarp Guard Mounting Gen II 12 Row
3	1	M002818	Plate - Vinyl Tarp Shield Gen II 12 Row
4	1	M002819	Tube - Shield Tarp Gen II 12 Row
5	4	P000109	Washer - 5/16" Flat (0.75" OD) (18-8 S/S FB) *
6	24	P000527	Bolt - 5/16-18 x 0.75 x 0.75 Carriage (F593 304 S/S FB) *
7	9	P000711	Bolt - 5/16-18 x 1 x 0.875 Hex (F593 304 S/S FB) *
8	2	P002007	Hairpin Clip - 3/8" x 1 5/8" S/S
9	2	P002055	Cap - 3/4" Plastic Pipe
10	9	P002224	Nut - 5/16-18 Flange Nylon Lock (18-8 S/S FB) *
11	1	P002475	Tarp - Clear Vinyl Shield Gen II 12 Row
12	1	P002481	Decal - Tank Row Label (A-L) (12 Row)
13	1	P002482	Decal - Tank Row Label (L-A) (12 Row)

(*) Included In K002086 - Kit - Gen II 12 Row STS Trough Hardware

Trough - Slide Gate And Trough Support (Tank 2)

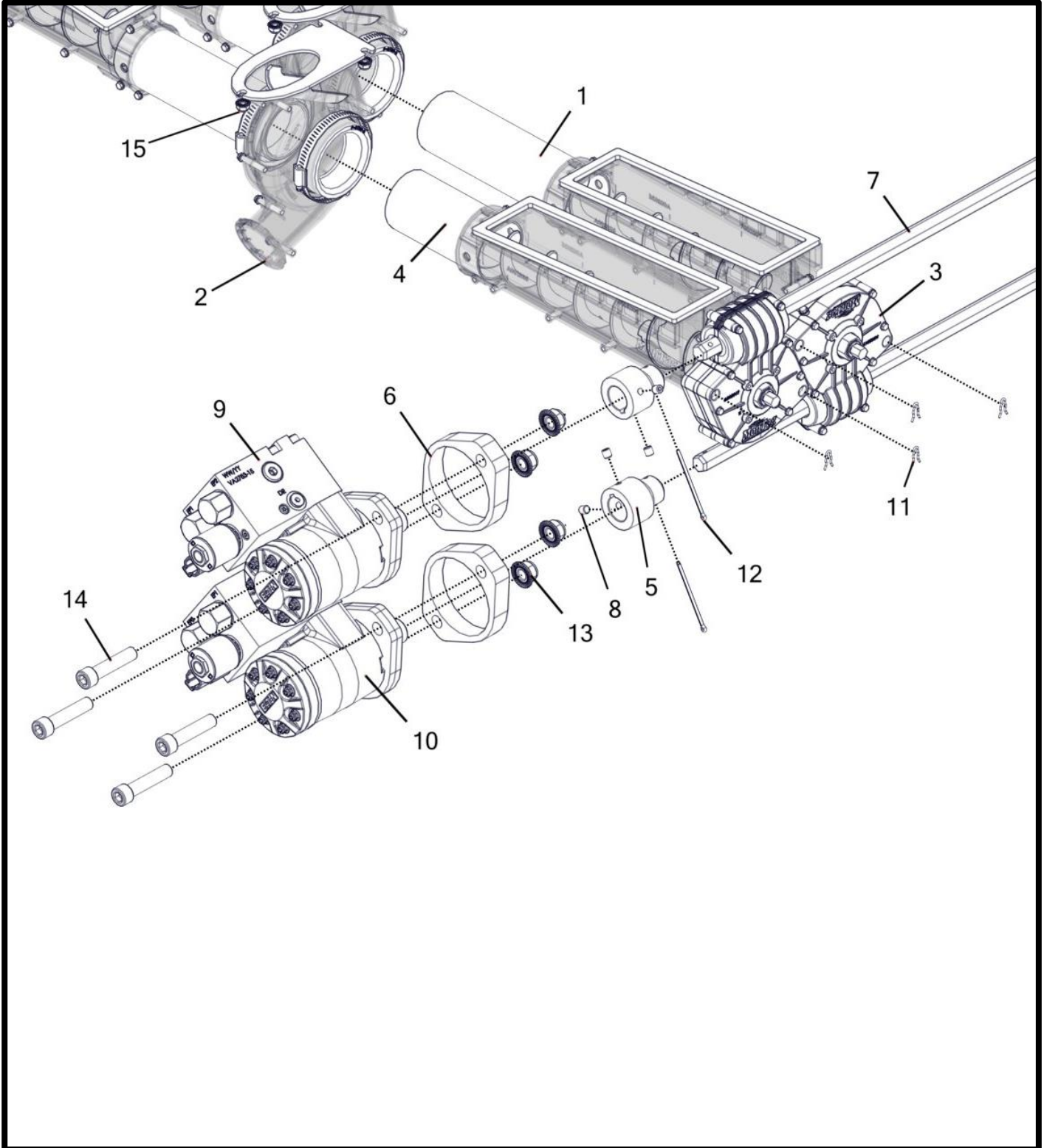


Trough - Slide Gate And Trough Support (Tank 2)

Item No.	Qty	Part Number	Description
		A002221	Meter - Gen II 12 Row STS Rear Cyl. Mount Assembly (RH) (Tank 2)
1	8	M002105	Block - UHMW Slide Gate Retainer
2	1	M002552	Support - Inner Tank Trough
3	1	M002574	Pin - Trough Support Hinge
4	4	M002817	Tape - 1/2" x 1/16" UHMW Slide Gate 12 Row (R0151)
5	2	P002215	Retainer - 3/8" E-Clip *
6	9	P002255	Pin - Hairpin Bowtie 3/8" x 3/32" x 1 7/8"
7	1	W002449	Slide Gate - 12 Row

(*) Included In K002086 - Kit - Gen II 12 Row STS Trough Hardware

Row Units - 12 Row 4 Section 2212



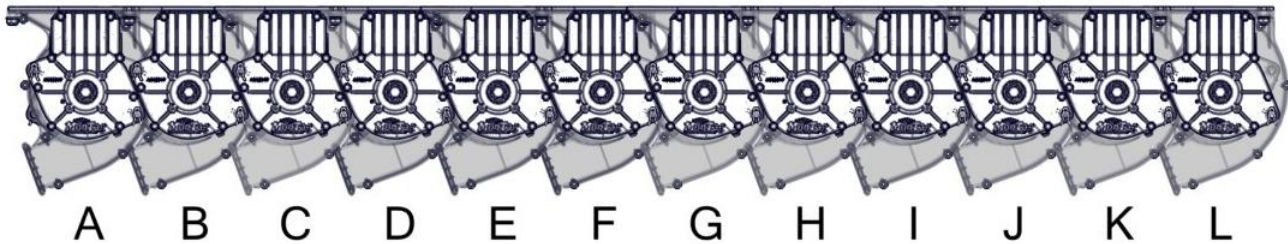
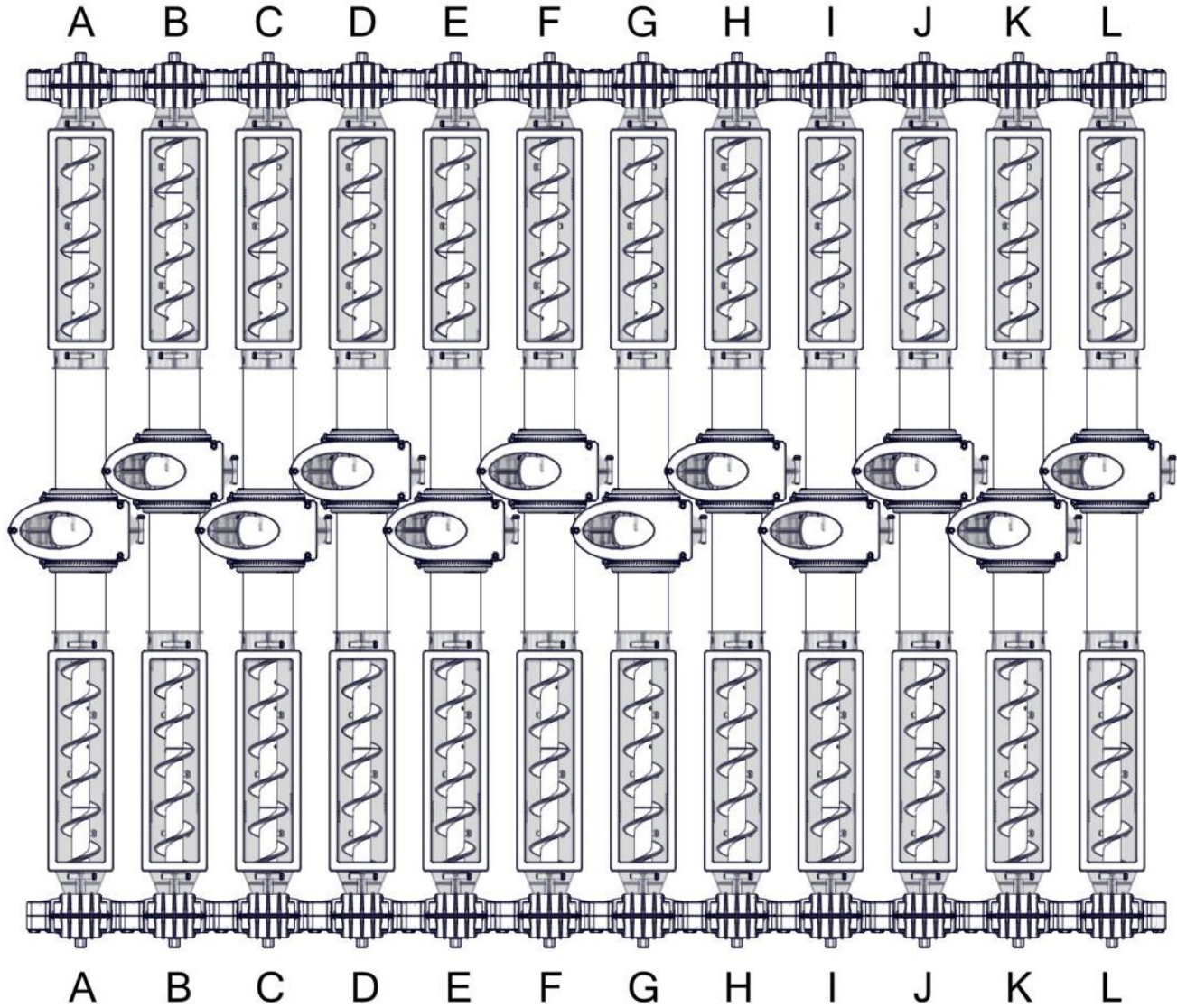
Row Units - 12 Row 4 Section 2212

Item No.	Qty	Part Number	Description
1	12	A002000	Cartridge - Gen II 2" x 20.5" Auger *
2	12	A002014	Air Chamber - Gen II Bolt-On *
3	24	A002017	Gear Box - Plastic 5/8 Hex - 7/8 Hex (22/7 Ratio) *
4	12	A002025	Cartridge - Gen II 2" x 17.5" Auger *
5	8	M002152	Coupler - 1" Round w/ Keyway to 5/8" Hex Shaft †
6	8	M002604_ _	Plate - Motor Spacer (3/4") †
7	8	M002872	Shaft - Gen II 12 Row 5/8" Short Drive †
8	16	P000785	Set Screw - 5/16-18 x 5/16" UNC †
9	4	P000881	Motor - Hyd. 4.5 CU/IN Char-Lynn Single Poppet Valve (CW) (MA2783-15) †
10	4	P000882	Motor - Hyd. 4.5 CU/IN Char-Lynn Single Poppet Valve (CCW) (MA2784-15) †
11	48	P002009	Retaining Clip - 3/8" x 5/16" x 1" *
12	8	P002013	Cotter Pin - 1/8" x 2.64" (S/S) †
13	20	P002226	Nut - 1/2-13 Flange Nylon Lock (18-8 S/S FB) †
14	16	P002235	Bolt - 1/2-13 x 2.25 x 1.25 Socket Head (F593 304 S/S FB) †
15	36	P002291	Nut - 1/4-20 Flange Nylon Lock (18-8 S/S FB) *

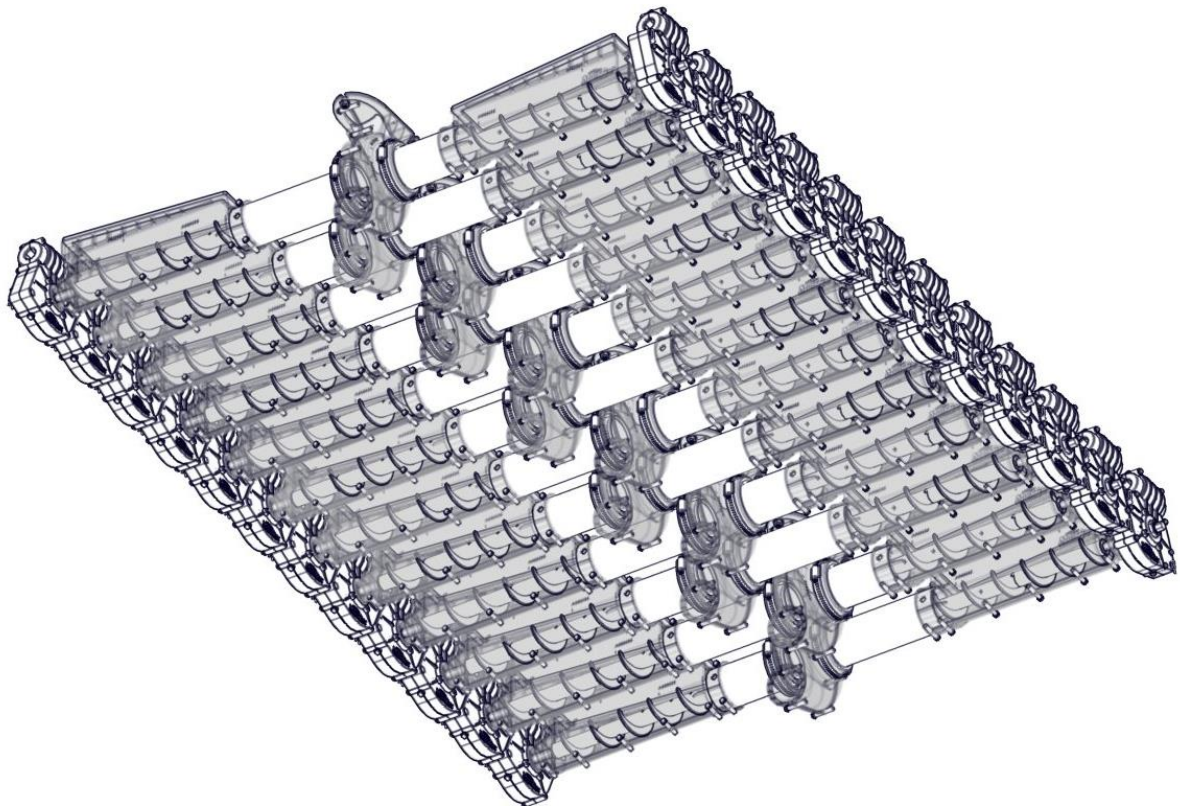
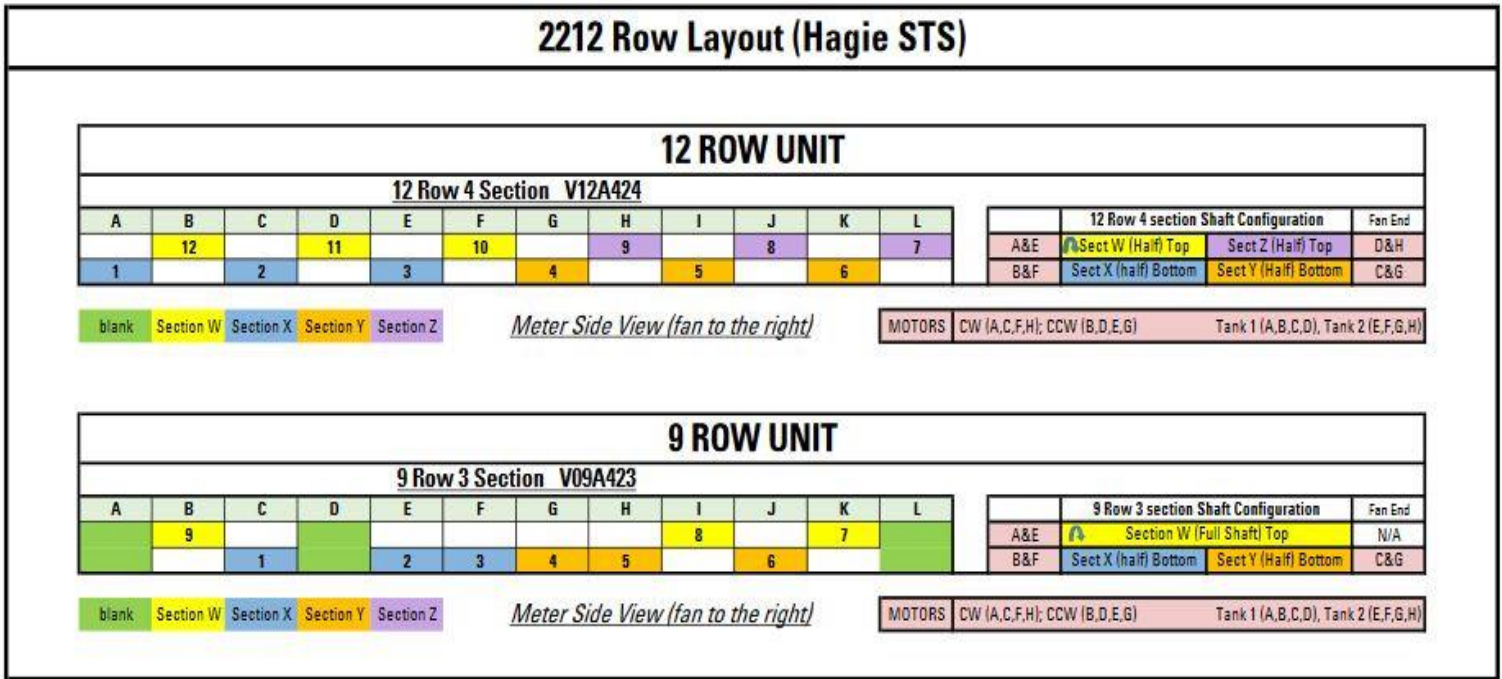
(*) Included In K002101 - Kit - Gen II 12 Row 2 Bin STS

(†) Included In K002097 - Kit - 2 Bin 4 Section Gen II Complete

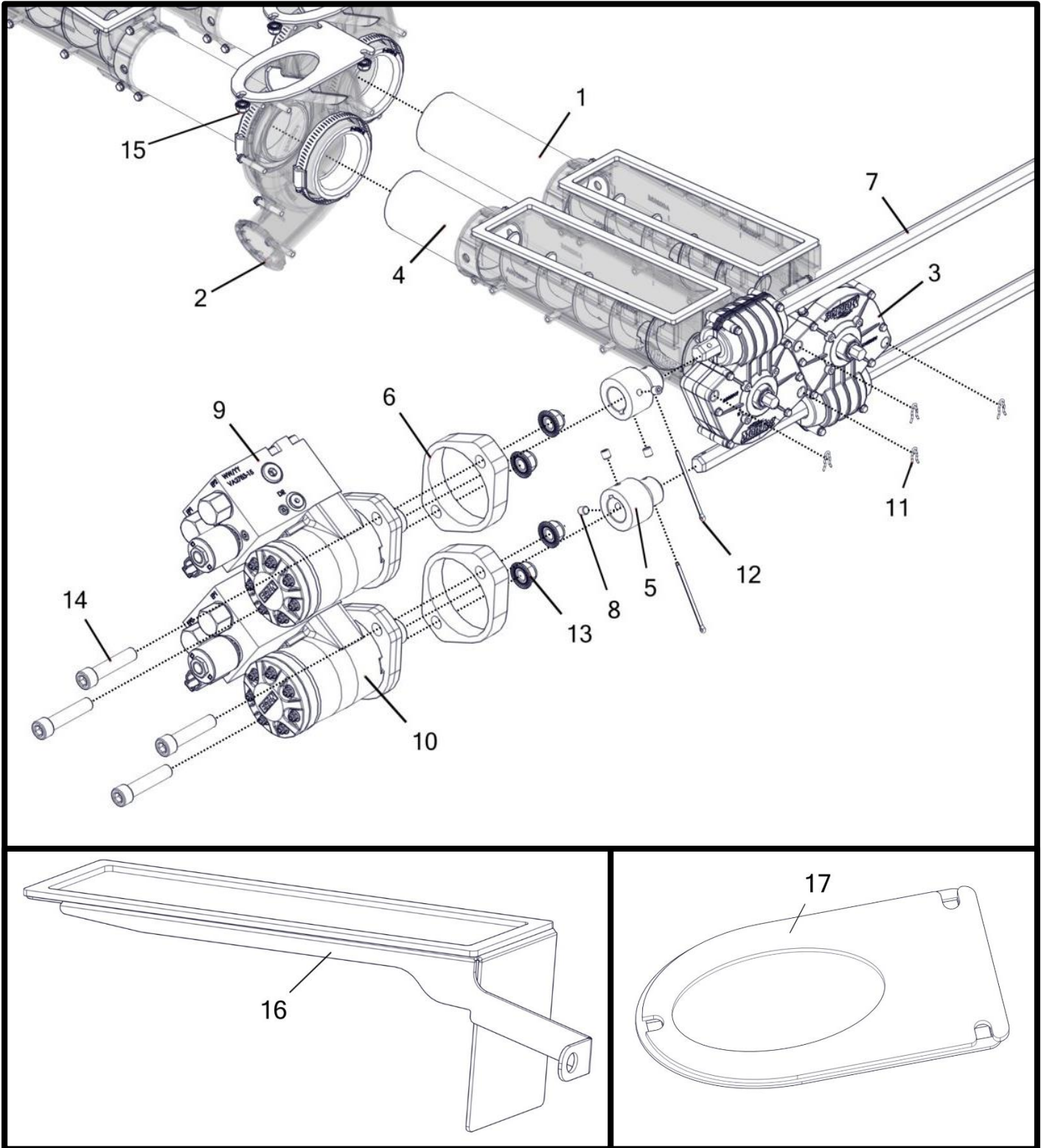
Row Units - 12 Row 4 Section 2212



Row Units - 12 Row 4 Section 2212



Row Units - 9 Row 3 Section 2212



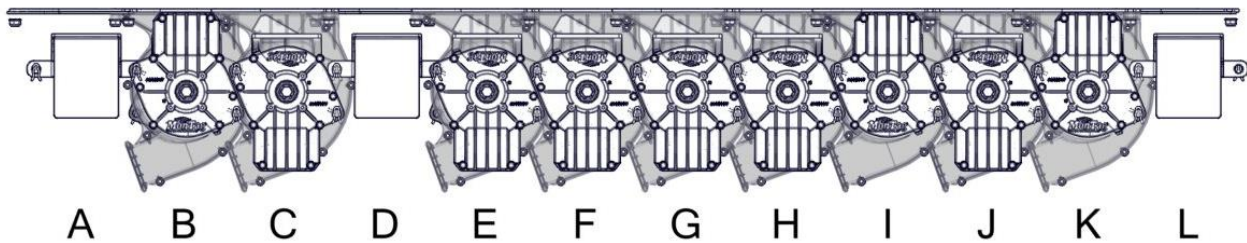
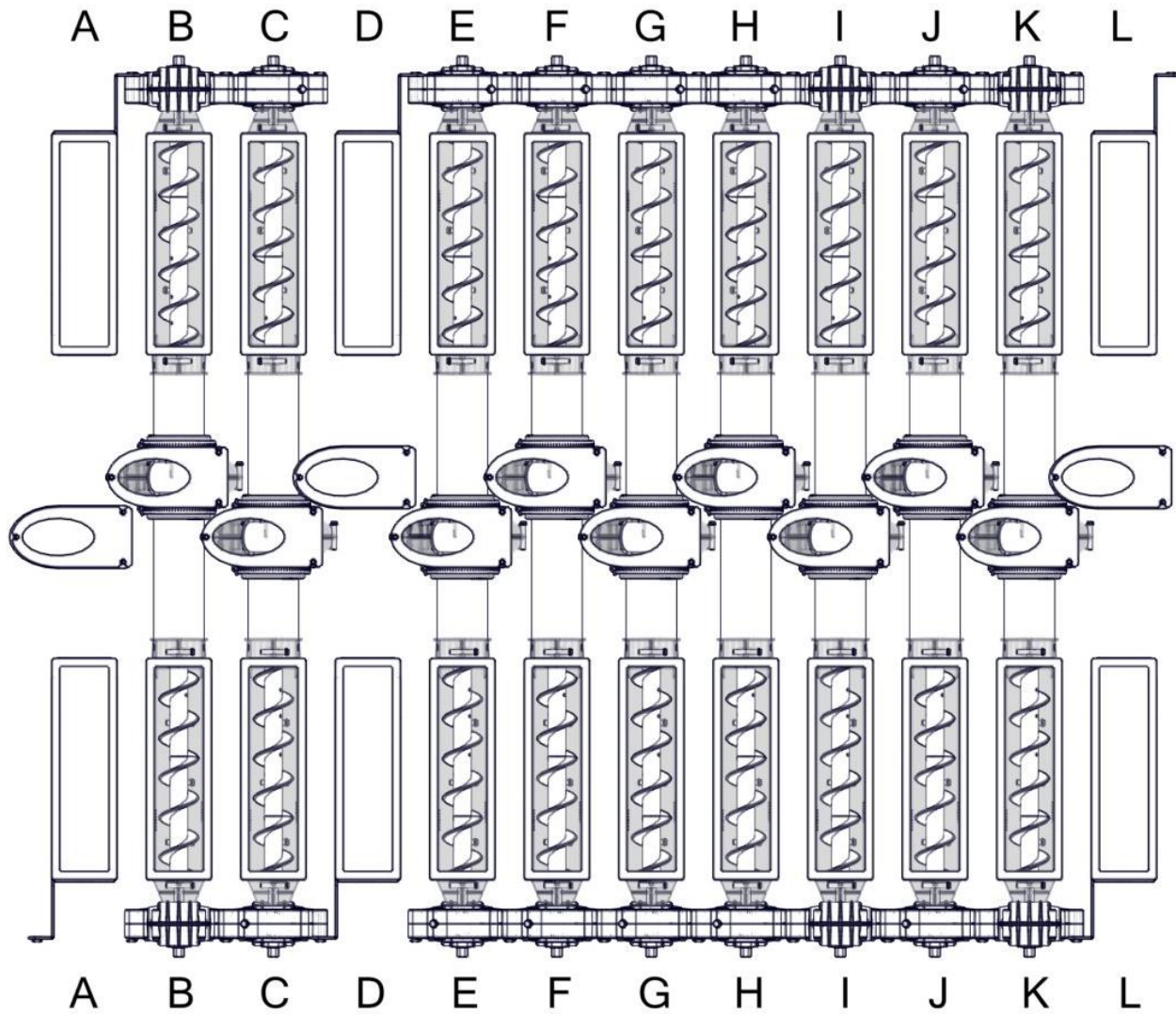
Row Units - 9 Row 3 Section 2212

Item No.	Qty	Part Number	Description
1	9	A002000	Cartridge - Gen II 2" x 20.5" Auger *
2	9	A002014	Air Chamber - Gen II Bolt-On *
3	18	A002017	Gear Box - Plastic 5/8 Hex - 7/8 Hex (22/7 Ratio) *
4	9	A002025	Cartridge - Gen II 2" x 17.5" Auger *
5	6	M002152	Coupler - 1" Round w/ Keyway to 5/8" Hex Shaft †
6	6	M002604_ _	Plate - Motor Spacer (3/4") †
7	4	M002872	Shaft - Gen II 12 Row 5/8" Short Drive †
	2	M003377	Shaft - Gen II 2212 5/8" Long Drive
8	12	P000785	Set Screw - 5/16-18 x 5/16" UNC †
9	3	P000881	Motor - Hyd. 4.5 CU/IN Char-Lynn Single Poppet Valve (CW) (MA2783-15) †
10	3	P000882	Motor - Hyd. 4.5 CU/IN Char-Lynn Single Poppet Valve (CCW) (MA2784-15) †
11	42	P002009	Retaining Clip - 3/8" x 5/16" x 1" *
12	6	P002013	Cotter Pin - 1/8" x 2.64" (S/S) †
13	16	P002226	Nut - 1/2-13 Flange Nylon Lock (18-8 S/S FB) †
14	12	P002235	Bolt - 1/2-13 x 2.25 x 1.25 Socket Head (F593 304 S/S FB) †
15	36	P002291	Nut - 1/4-20 Flange Nylon Lock (18-8 S/S FB) *
16	6	A002055	Assembly - Cartridge Blank Gen II
17	3	A002187	Assembly - Air Chamber Blank Gen II

(*) Included In K002321 - Kit - Gen II 9 Row 2 Bin STS

(†) Included In K002343 - Kit - 2 Bin 3 Section Gen II 2212 Complete

Row Units - 9 Row 3 Section 2212

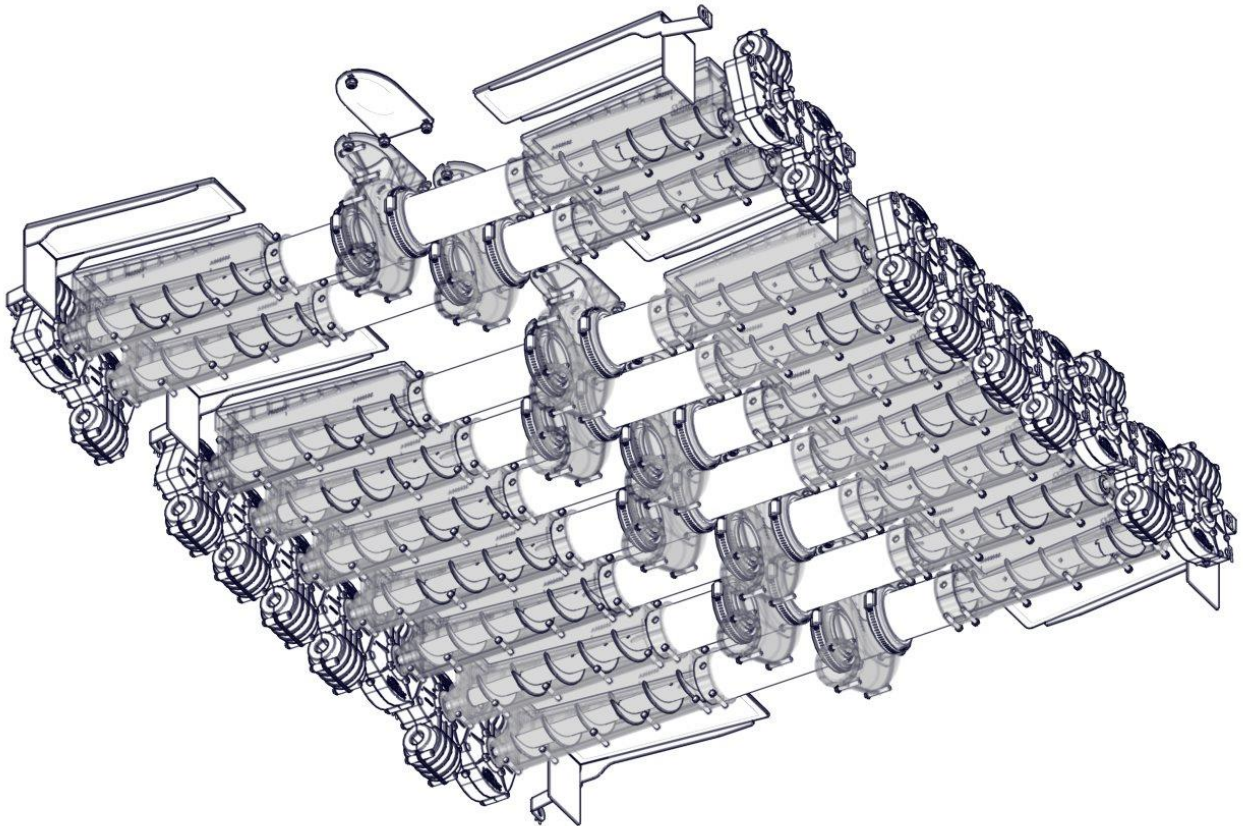


Row Units - 9 Row 3 Section 2212

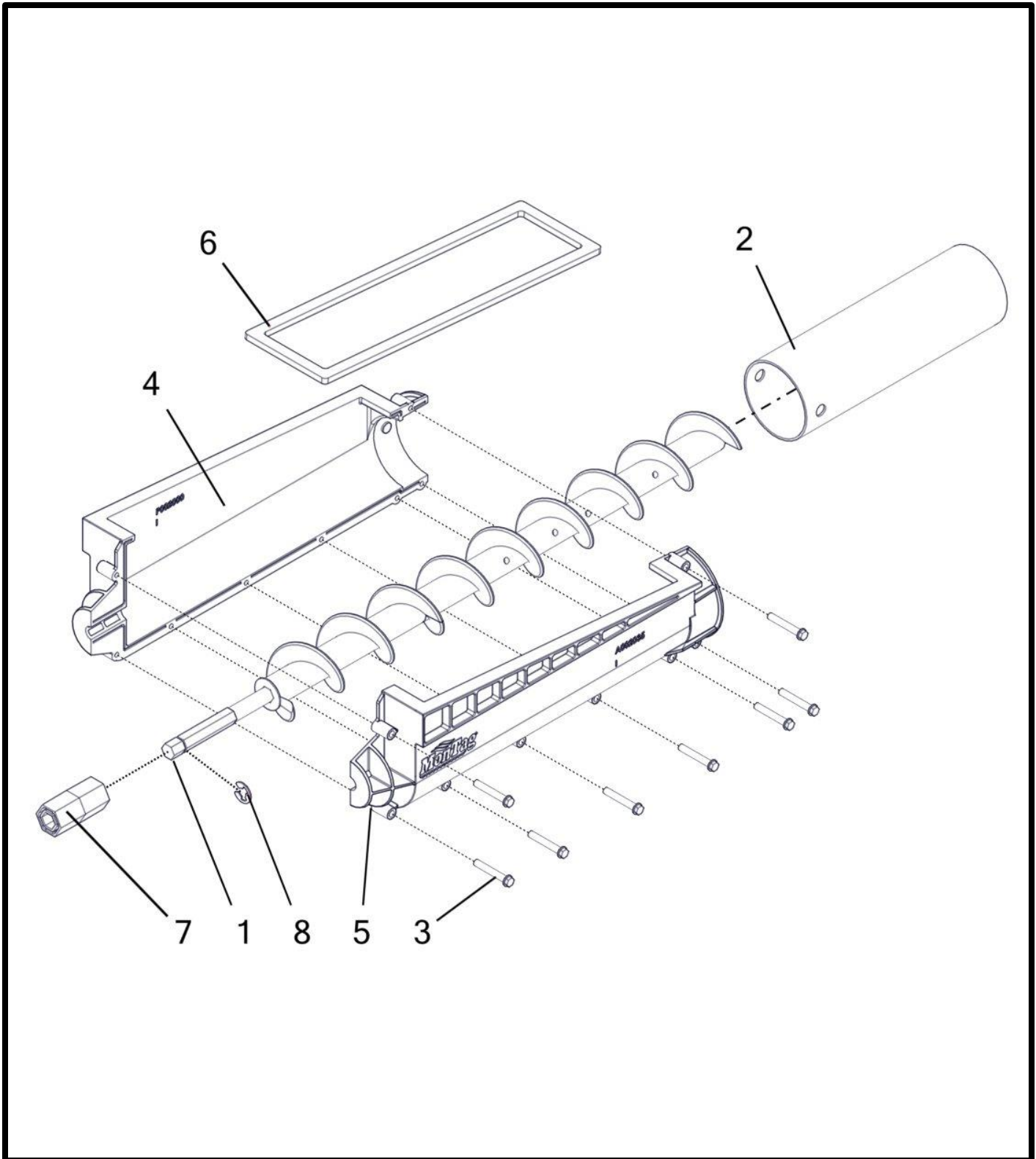
2212 Row Layout (Hagie STS)

12 ROW UNIT															
12 Row 4 Section V12A424															
A	B	C	D	E	F	G	H	I	J	K	L	12 Row 4 section Shaft Configuration			Fan End
	12		11		10		9		8		7	A&E	Sect W (Half) Top	Sect Z (Half) Top	D&H
1		2		3		4		5		6		B&F	Sect X (half) Bottom	Sect Y (Half) Bottom	C&G
blank	Section W	Section X	Section Y	Section Z	<i>Meter Side View (fan to the right)</i>				MOTORS		CW (A,C,F,H); CCW (B,D,E,G)	Tank 1 (A,B,C,D), Tank 2 (E,F,G,H)			

9 ROW UNIT															
9 Row 3 Section V09A423															
A	B	C	D	E	F	G	H	I	J	K	L	9 Row 3 section Shaft Configuration			Fan End
	9							8		7		A&E	Section W (Full Shaft) Top		N/A
		1		2	3	4	5		6			B&F	Sect X (half) Bottom	Sect Y (Half) Bottom	C&G
blank	Section W	Section X	Section Y	Section Z	<i>Meter Side View (fan to the right)</i>				MOTORS		CW (A,C,F,H); CCW (B,D,E,G)	Tank 1 (A,B,C,D), Tank 2 (E,F,G,H)			



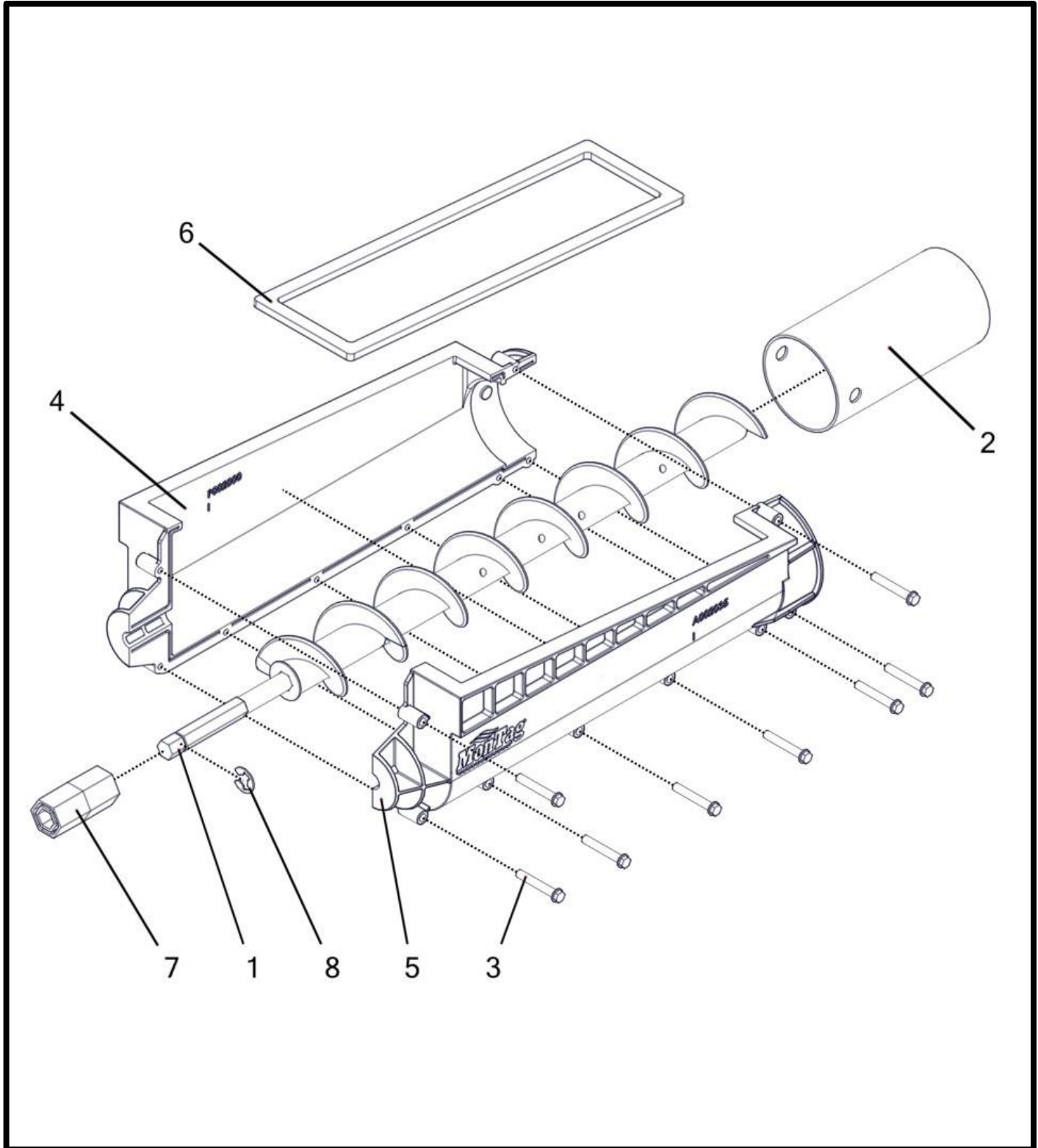
Cartridge - Long



Cartridge - Long

Item No.	Qty	Part Number	Description
		A002000	Cartridge - Gen II 2" x 20.5" Auger
1	1	A002023	Auger - 2" x 18" Flighting
2	1	M002000	Tube - 8" S/S Cartridge
3	8	P000754	Screw - #10-16 x 1-2/5" Hex Washer Head Hi-Low S/S
4	1	P002000	Cartridge - Molded 2" Plastic Finned Auger (Left)
5	1	P002001	Cartridge - Molded 2" Plastic Finned Auger (Right)
6	1	P002006	Gasket - Gen 2 Cartridge
7	1	P002033	Coupler - Plastic 7/8in to 7/16in Shear Hex
8	1	P002215	Retainer - 3/8" E-Clip

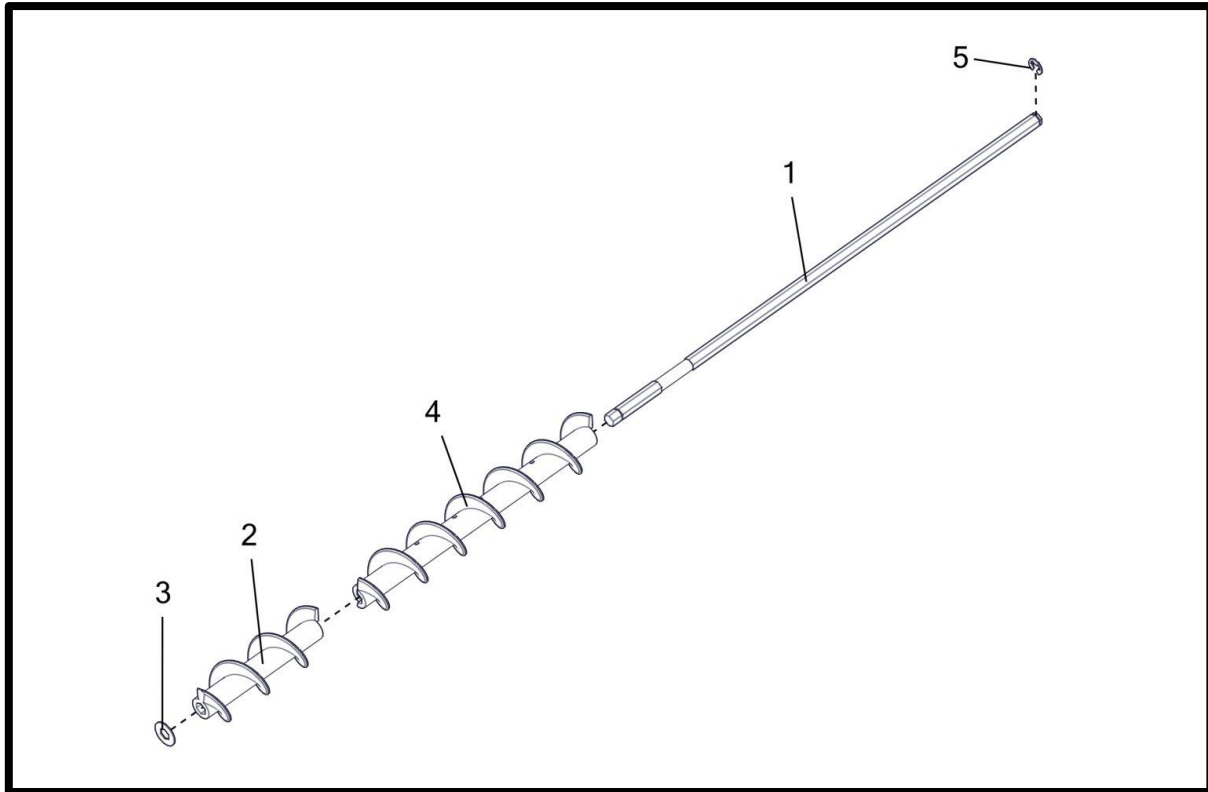
Cartridge - Short



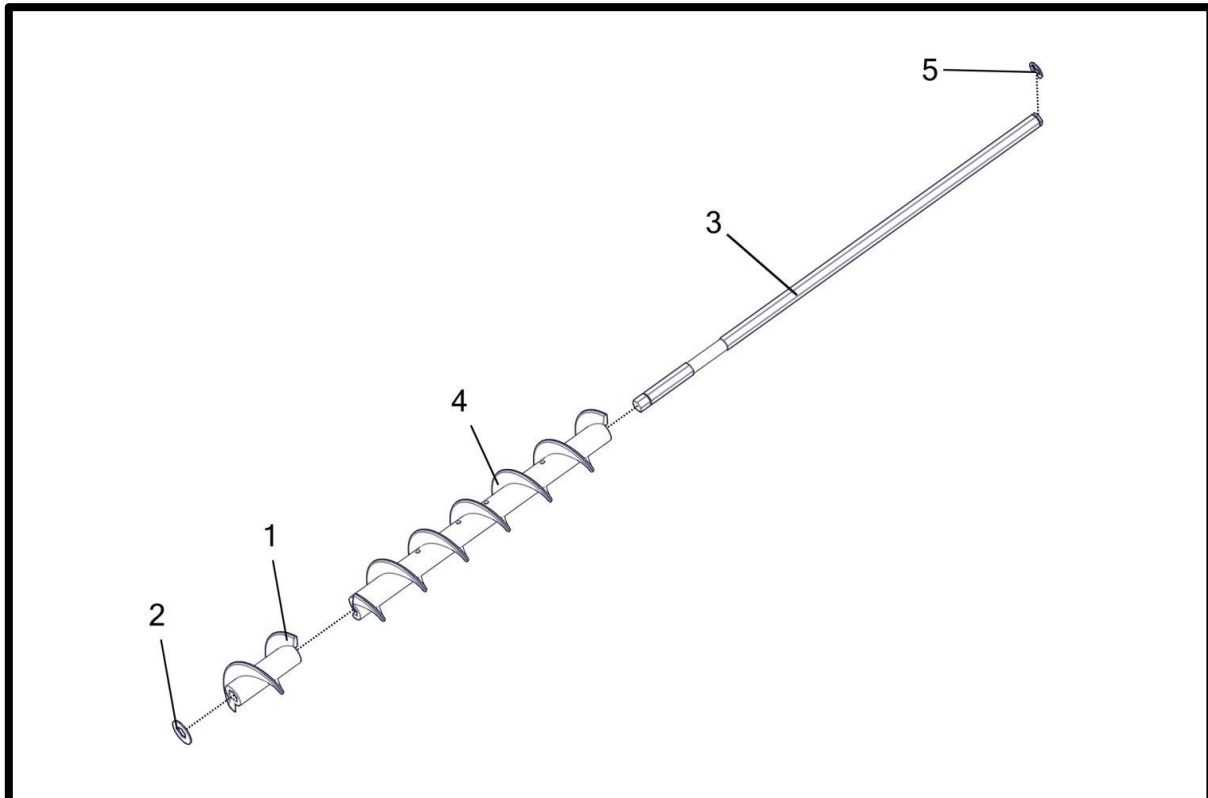
Cartridge - Short

Item No.	Qty.	Part Number	Description
		A002025	Cartridge - Gen II 2" x 17.5" Auger
1	1	A002026	Auger - 2" x 15" Flighting
2	1	M002190	Tube - 5" S/S Cartridge
3	8	P000754	Screw - #10-16 x 1-1/4" Hex Washer Head Hi-Low S/S
4	1	P002000	Side - Gen II 2" Auger Cartridge (Left)
5	1	P002001	Side - Gen II 2" Auger Cartridge (Right)
6	1	P002006	Gasket - Gen II Cartridge (.1875)
7	1	P002033	Coupler - 7/8" to 7/16" Shear Hex
8	1	P002215	Retainer - 3/8" E-Clip

Auger - Long



Auger - Short



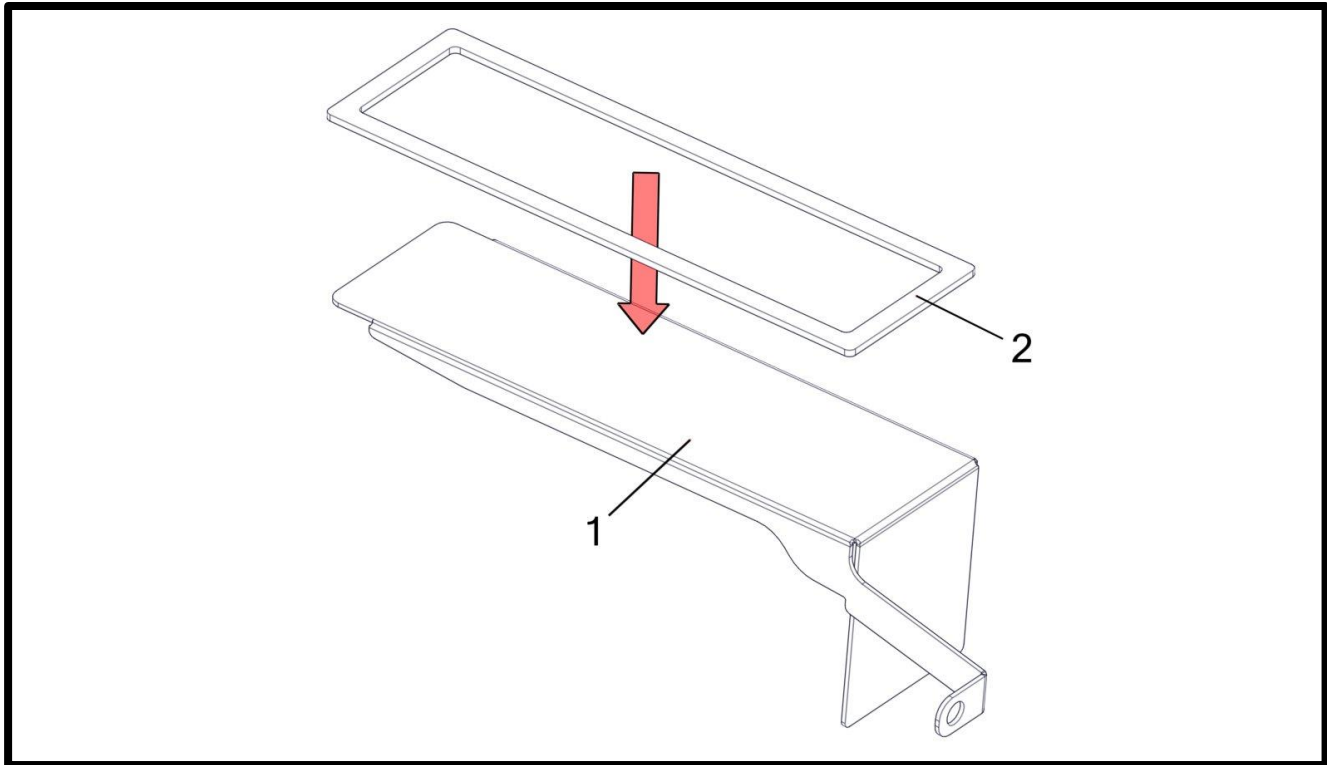
Auger - Long

Item No.	Qty.	Part Number	Description
		A002023	Auger - 2" x 18" Flighting
1	1	M002035	Shaft - 7/16" Hex Auger Shaft (Long)
2	1	M002036	Flighting - 2" O.D. x 2" Pitch x 6" Auger
3	1	M002185	Washer - Cartridge 7/16" Hex
4	1	P000739	Flighting - 2" O.D. x 2" Pitch x 12" Auger
5	1	P002215	Retainer - 3/8" E-Clip

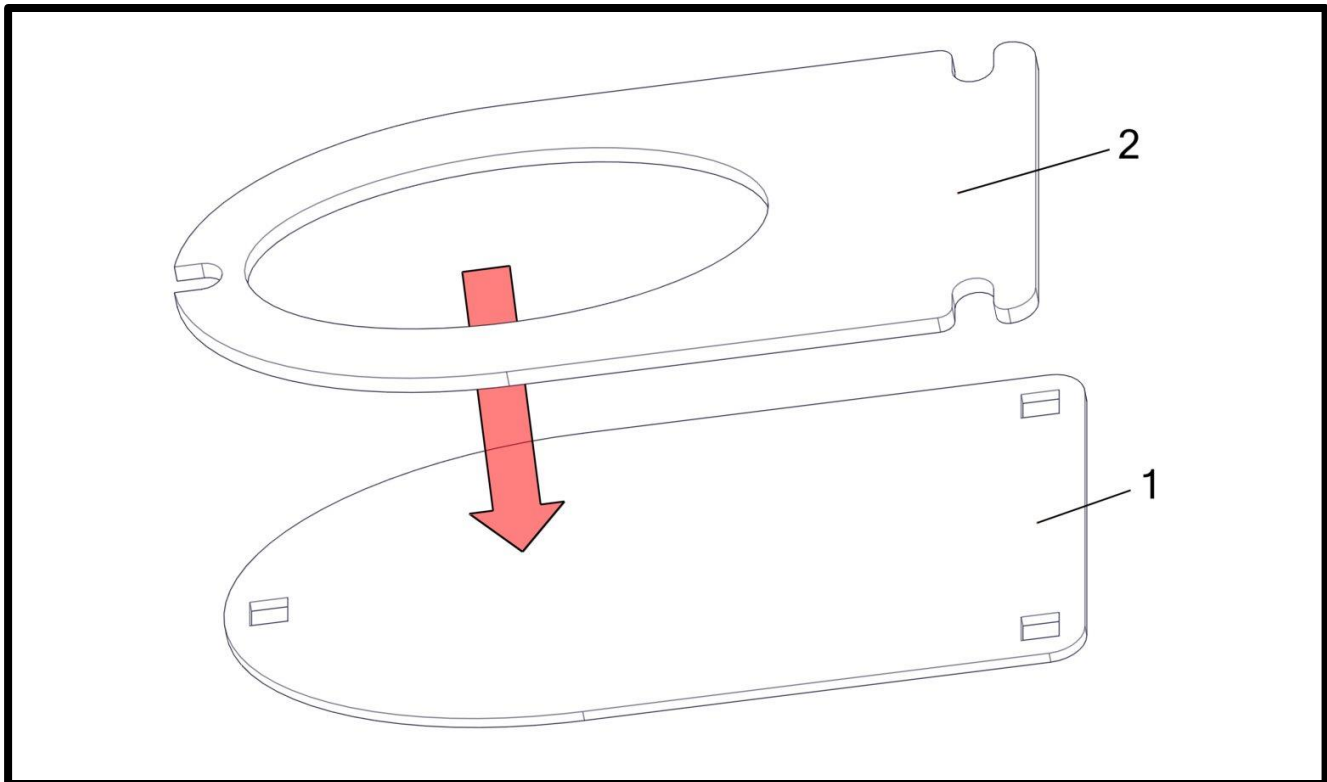
Auger - Short

Item No.	Qty.	Part Number	Description
		A002026	Auger - 2" x 15" Flighting
1	1	M002037	Flighting - 2" OD x 2" Pitch x 3" Auger
2	1	M002185	Washer - Cartridge 7/16" Hex
3	1	M002191	Shaft - 7/16" Hex Auger Shaft (Short)
4	1	P000739	Flighting - 2" O.D. x 2" Pitch x 12" Auger
5	1	P002215	Retainer - 3/8" E-Clip

Cartridge Blank



Air Chamber Blank



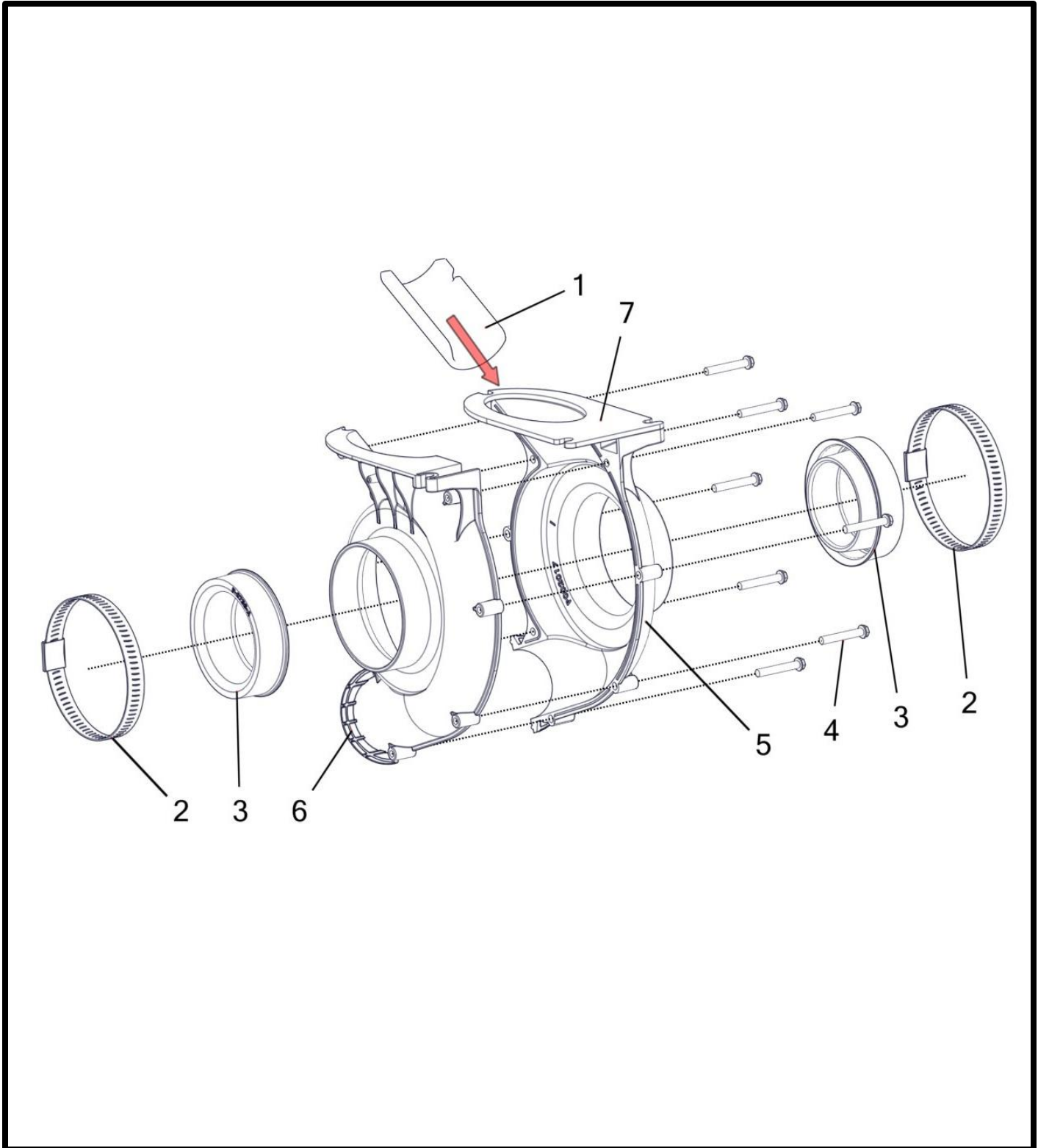
Cartridge Blank

Item No.	Qty.	Part Number	Description
		A002055	Assembly - Cartridge Blank Gen II
1	1	M002192	Blank - Formed Cartridge
2	1	P002077	Gasket - Gen II Cartridge (.125)

Air Chamber Blank

Part No.	Qty.	Part Number	Description
		A002187	Assembly - Air Chamber Blank Gen II
1	1	M002244	Plate - Air Chamber Cover
2	1	P002047	Gasket - Air Chamber Mounting

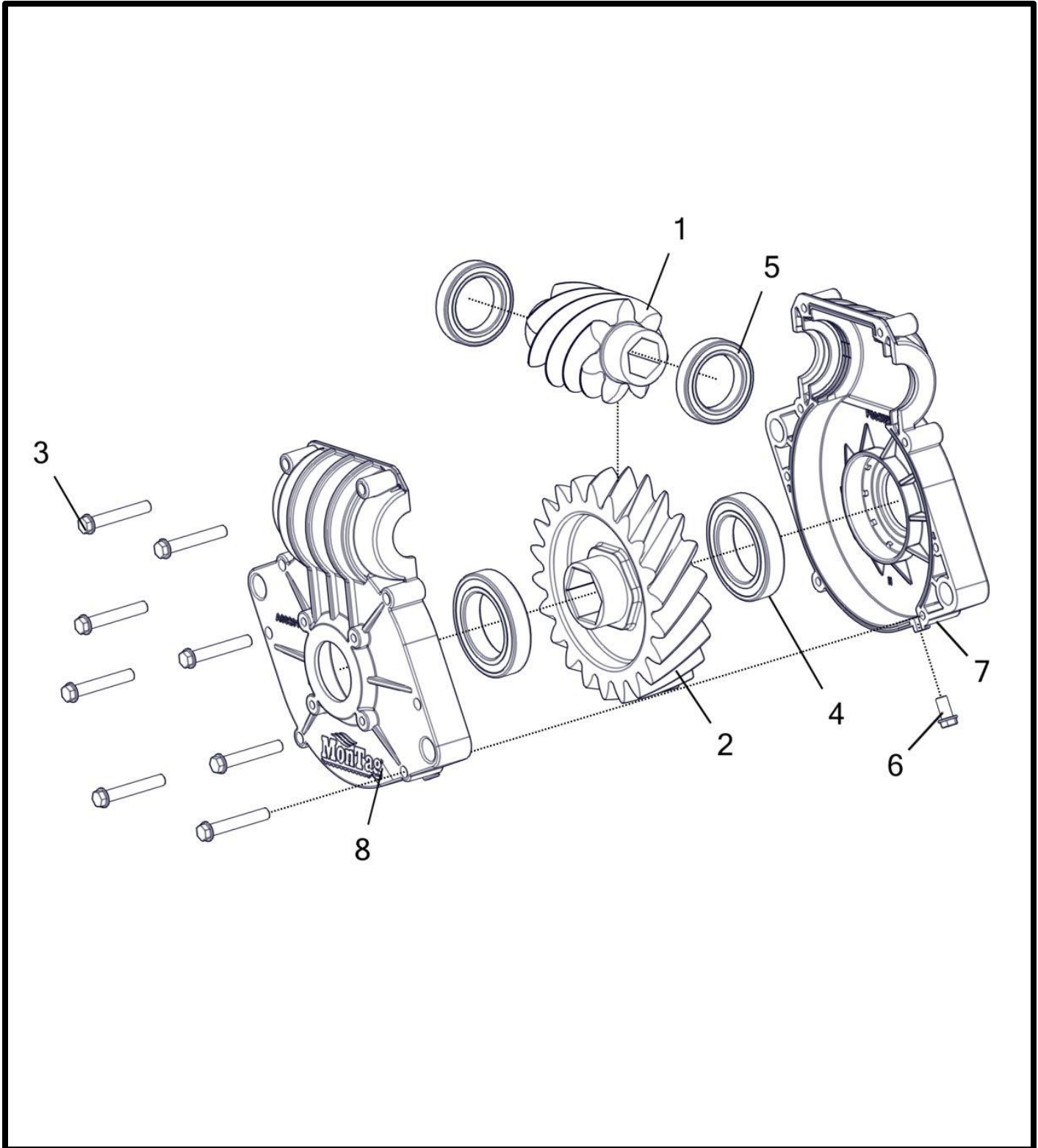
Air Chamber Assembly



Air Chamber Assembly

Item No.	Qty.	Part Number	Description
		A002014	Air Chamber - Gen II Bolt-On
1	1	M002314	Orifice - Air Chamber Insert (3-Bolt Air Chamber)
2	2	P000239	Hose Clamp - 2-1/2"-3" S/S
3	2	P000738	Gasket - Air Chamber to Cartridge
4	8	P000754	Screw - #10-16 x 1-1/4" Hex Washer Head Hi-Low S/S
5	1	P002017	Side - 2" Carriage 3 Bolt Mount Plastic Air Chamber Right
6	1	P002040	Side - 2" Carriage 3 Bolt Mount Plastic Air Chamber Left
7	1	P002047	Gasket - Air Chamber Mounting

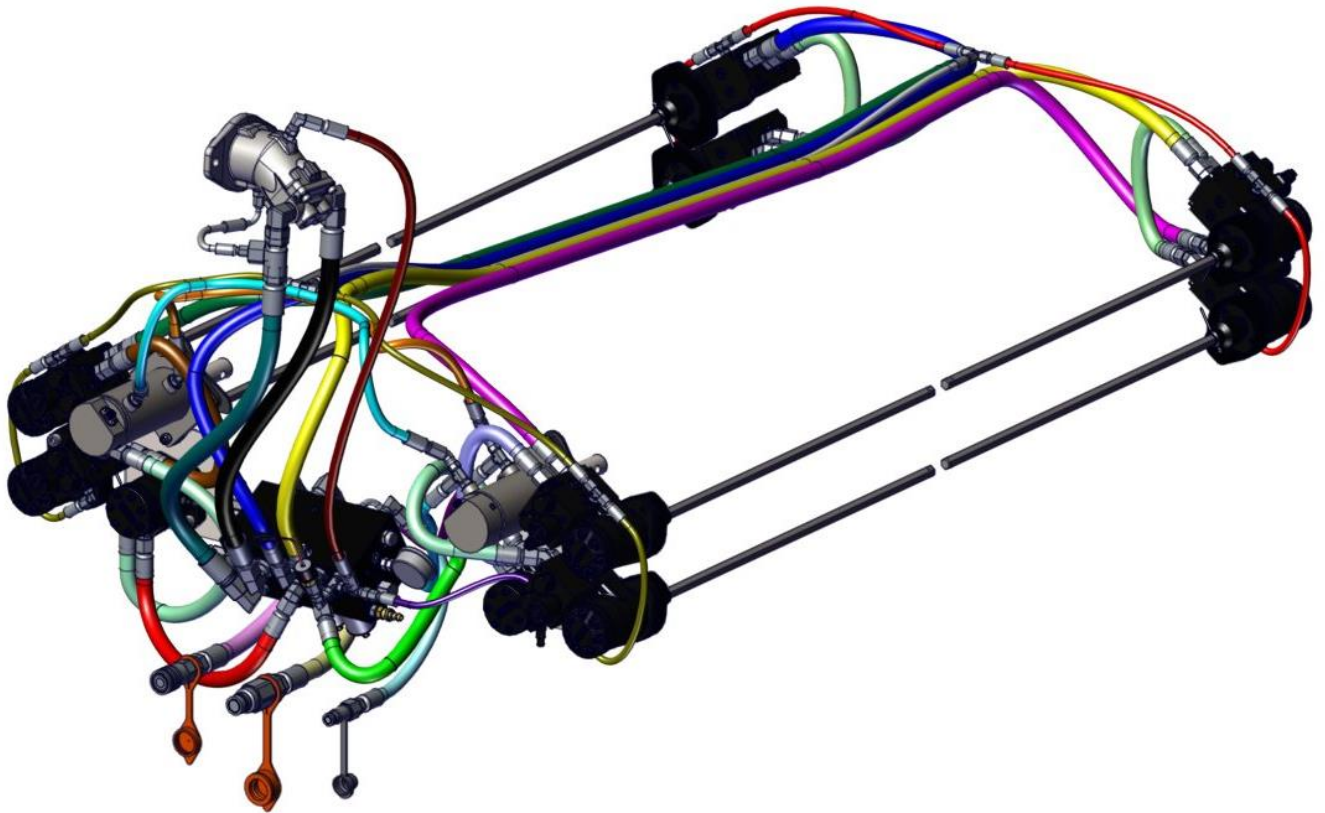
Gear Box Assembly



Gear Box Assembly

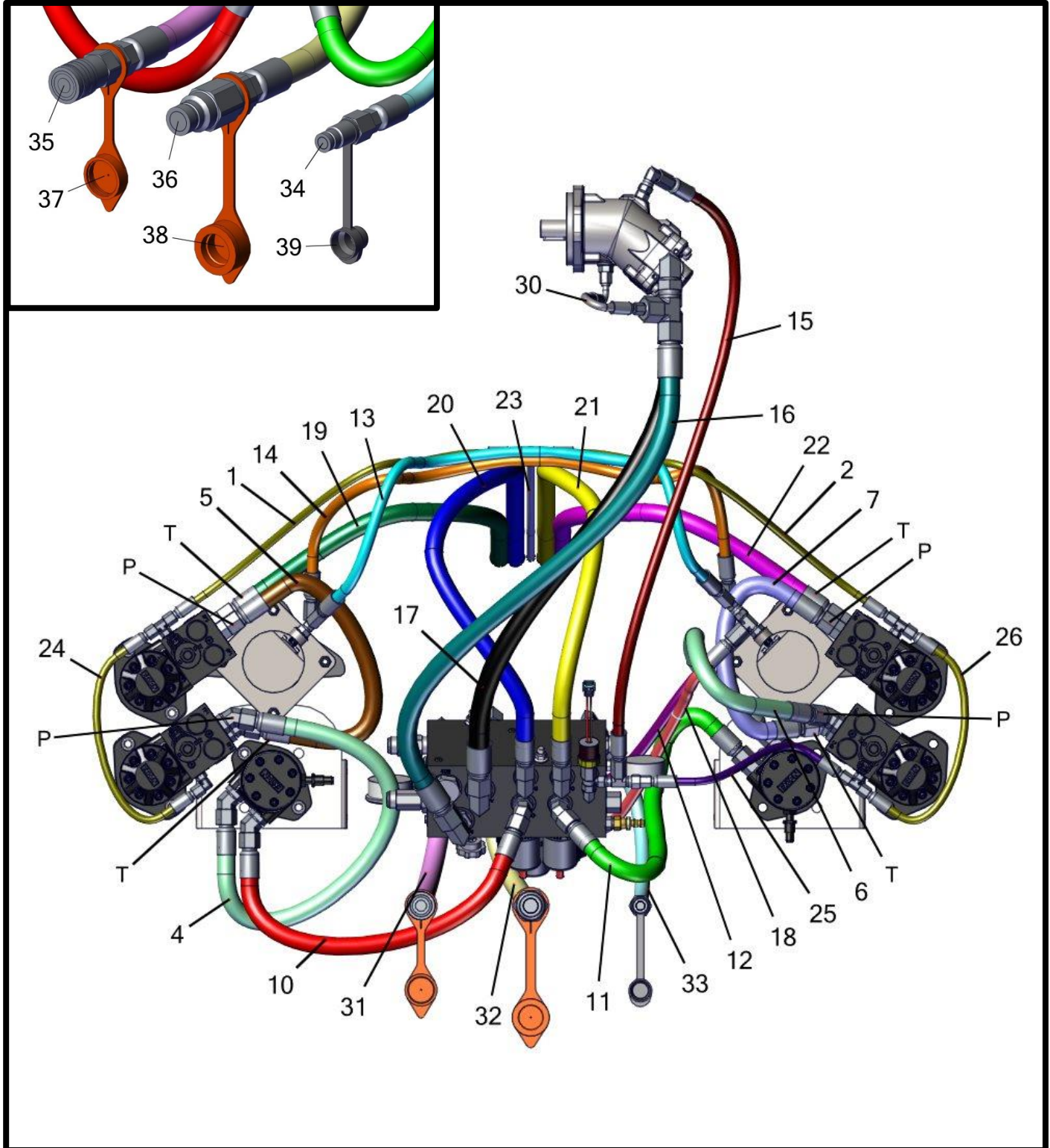
Item No.	Qty	Part Number	Description
		A002017	Gear Box - Plastic 5/8 Hex - 7/8 Hex (22/7 Ratio)
1	1	P000733	Gear - Plastic 7 Tooth 5/8" Hex Driver
2	1	P000734	Gear - Plastic 22 Tooth 7/8" Hex Driven
3	8	P000754	Screw - #10-16 x 1-2/5" Hex Washer Head Hi-Low S/S
4	2	P000760	Bearing - 30 x 47 x 9 mm Radial Ball (S/S Double Contact Seal)
5	2	P000761	Bearing - 25 x 37 x 7 mm Radial Ball (S/S - Double Contact Seals)
6	1	P002032	Housing - Plastic Gear Box 22:7 (Right) w/ Drain
7	1	P002039	Housing - Plastic Gear Box 22:7 (Left) w/ Drain

4 Section Hydraulic Fittings And Hoses



K002099 - Kit - 2 Bin 4 Section Gen II 2212 Complete Hydraulic
K002097 - Kit - 2 Bin 4 Section Gen II 2212 Complete
K002174 - Kit - STS To Fortifier 2212 Hydraulic Connection

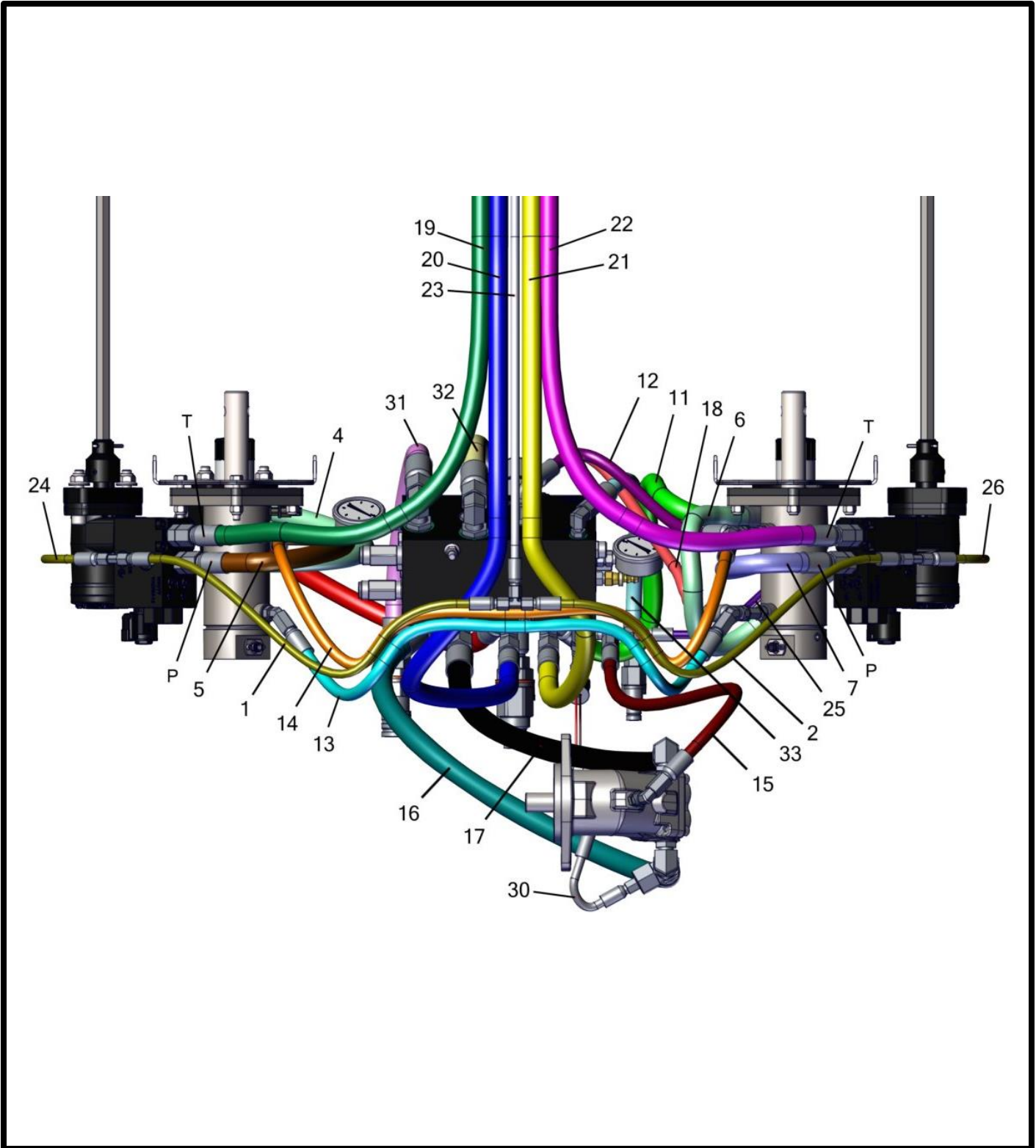
Hydraulics - Four Section Hoses - Fan End



Hydraulics - Four Section Hoses

Item No.	Qty	Part Number	Description
1	1	P002412	Hose - Hyd - 1/4" x 25" (#4 F JIC x #4 F JIC)
2	1	P002412	Hose - Hyd - 1/4" x 25" (#4 F JIC x #4 F JIC)
3	1	P002412	Hose - Hyd - 1/4" x 25" (#4 F JIC x #4 F JIC)
4	1	P002419	Hose - Hyd - 1/2" X 25" (#10 F JIC X #10 F JIC)
5	1	P002419	Hose - Hyd - 1/2" X 25" (#10 F JIC X #10 F JIC)
6	1	P002419	Hose - Hyd - 1/2" X 25" (#10 F JIC X #10 F JIC)
7	1	P002419	Hose - Hyd - 1/2" X 25" (#10 F JIC X #10 F JIC)
8	1	P002419	Hose - Hyd - 1/2" X 25" (#10 F JIC X #10 F JIC)
9	1	P002419	Hose - Hyd - 1/2" X 25" (#10 F JIC X #10 F JIC)
10	1	P002595	Hose - Hyd - 1/2" X 36" (#10 F JIC X #10 F JIC)
11	1	P002595	Hose - Hyd - 1/2" X 36" (#10 F JIC X #10 F JIC)
12	1	P002599	Hose - Hyd - 3/8" x 16" (#6 F JIC x #6 F JIC Elbow 90)
13	1	P002601	Hose - Hyd - 3/8" x 39" (#6 F JIC x #6 F JIC)
14	1	P002601	Hose - Hyd - 3/8" x 39" (#6 F JIC x #6 F JIC)
15	1	P002601	Hose - Hyd - 3/8" x 39" (#6 F JIC x #6 F JIC)
16	1	P002602	Hose - Hyd - 3/4" x 45" (#12 F JIC x #12 F JIC)
17	1	P002603	Hose - Hyd - 3/4" x 40" (#12 F JIC x #12 F JIC)
18	1	P002605	Hose - Hyd - 3/8" x 22" (#6 F JIC x #6 F JIC)
19	1	P002607	Hose - Hyd - 1/2" x 120" (#10 F JIC x #10 F JIC)
20	1	P002607	Hose - Hyd - 1/2" x 120" (#10 F JIC x #10 F JIC)
21	1	P002607	Hose - Hyd - 1/2" x 120" (#10 F JIC x #10 F JIC)
22	1	P002607	Hose - Hyd - 1/2" x 120" (#10 F JIC x #10 F JIC)
23	1	P002609	Hose - Hyd - 1/4" x 86" (#4 F JIC x #4 F JIC)
24	1	P002670	Hose - Hyd - 1/4" x 20" (#4 F JIC x #4 F JIC)
25	1	P002670	Hose - Hyd - 1/4" x 20" (#4 F JIC x #4 F JIC)
26	1	P002670	Hose - Hyd - 1/4" x 20" (#4 F JIC x #4 F JIC)
27	1	P002670	Hose - Hyd - 1/4" x 20" (#4 F JIC x #4 F JIC)
28	1	P002670	Hose - Hyd - 1/4" x 20" (#4 F JIC x #4 F JIC)
29	1	P002670	Hose - Hyd - 1/4" x 20" (#4 F JIC x #4 F JIC)
30	1	P002795	Hose - Hyd - 1/4" x 8" (#4 F JIC Elbow 90 x #4 F JIC)
31	1	P002809	Hose - Hydraulic 3/4" x 72" (#12 M O-ring x #12 F JIC Swivel)
		P002585	O-Ring - #12 Buna (4000-12)
32	1	P002809	Hose - Hydraulic 3/4" x 72" (#12 M O-ring x #12 F JIC Swivel)
		P002585	O-Ring - #12 Buna (4000-12)
33	1	P002810	Hose - Hydraulic 1/2" x 72" (#8 M O-ring x #8 F JIC Swivel)
		P002583	O-Ring - #8 Buna (4000-08)
34	1	P002792	Fitting - Hyd - 3/8" M Flush Face Quick Coupling x #8 F O-Ring (ISO 16028)
		P002583	O-Ring - #8 Buna (4000-08)
35	1	P002811	Fitting - Hyd - 1/2" F Flush Face Quick Coupling x #12 F O-ring (ISO 16028)
		P002585	O-Ring - #12 Buna (4000-12)
36	1	P002812	Fitting - Hyd - 3/4" M Flush Face Quick Coupling x #12 F O-Ring (ISO 16028)
		P002585	O-Ring - #12 Buna (4000-12)
37	1	P002813	Cap - Hyd - 1/2" M Flush Face Quick Coupler Dust (ISO 16028)
38	1	P002814	Cap - Hyd - 3/4" M Flush Face Quick Coupler Dust (ISO 16028)
39	1	P002826	Cap - Hyd - 3/8" M Flush Face Quick Coupler Dust (ISO 16028)

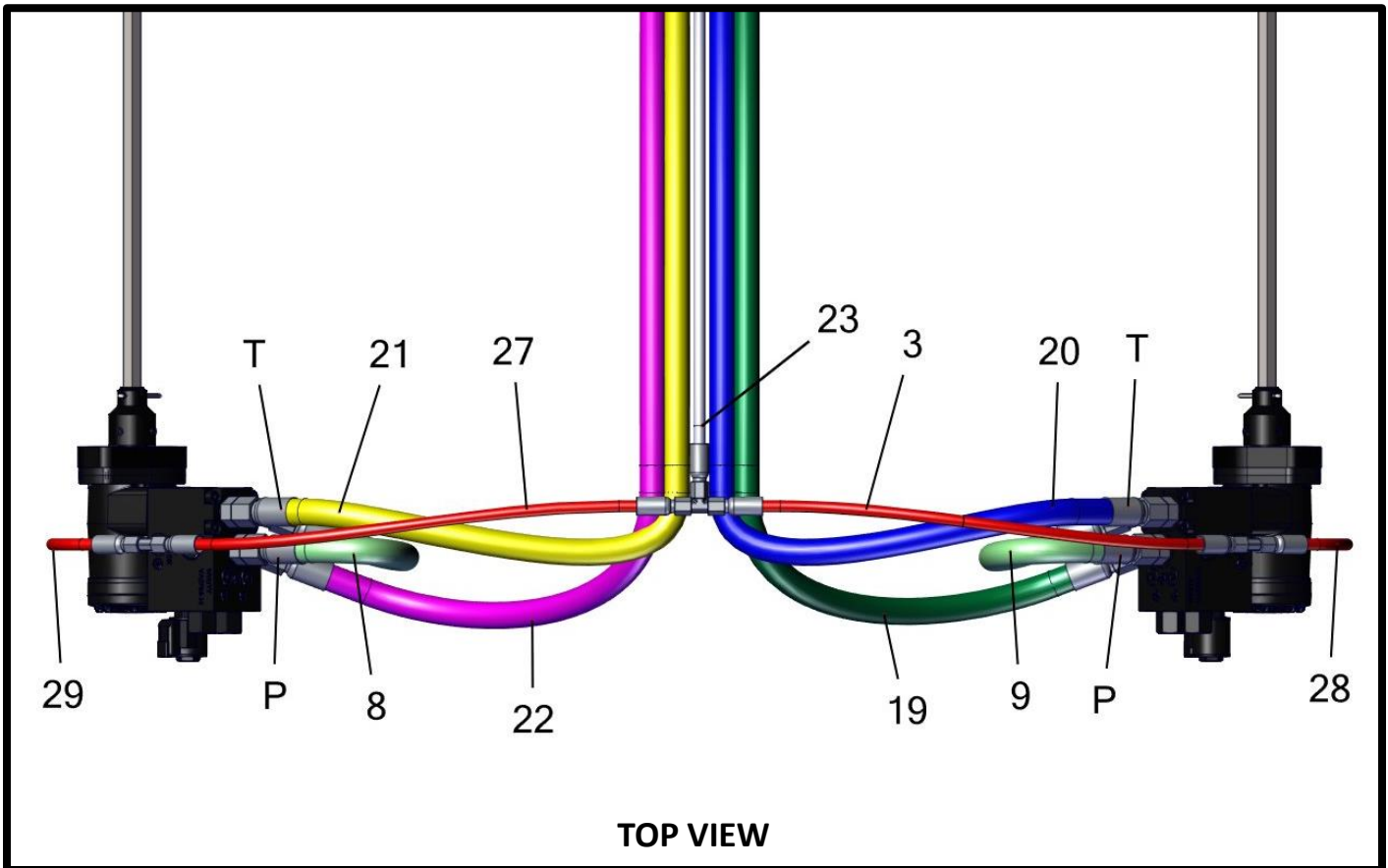
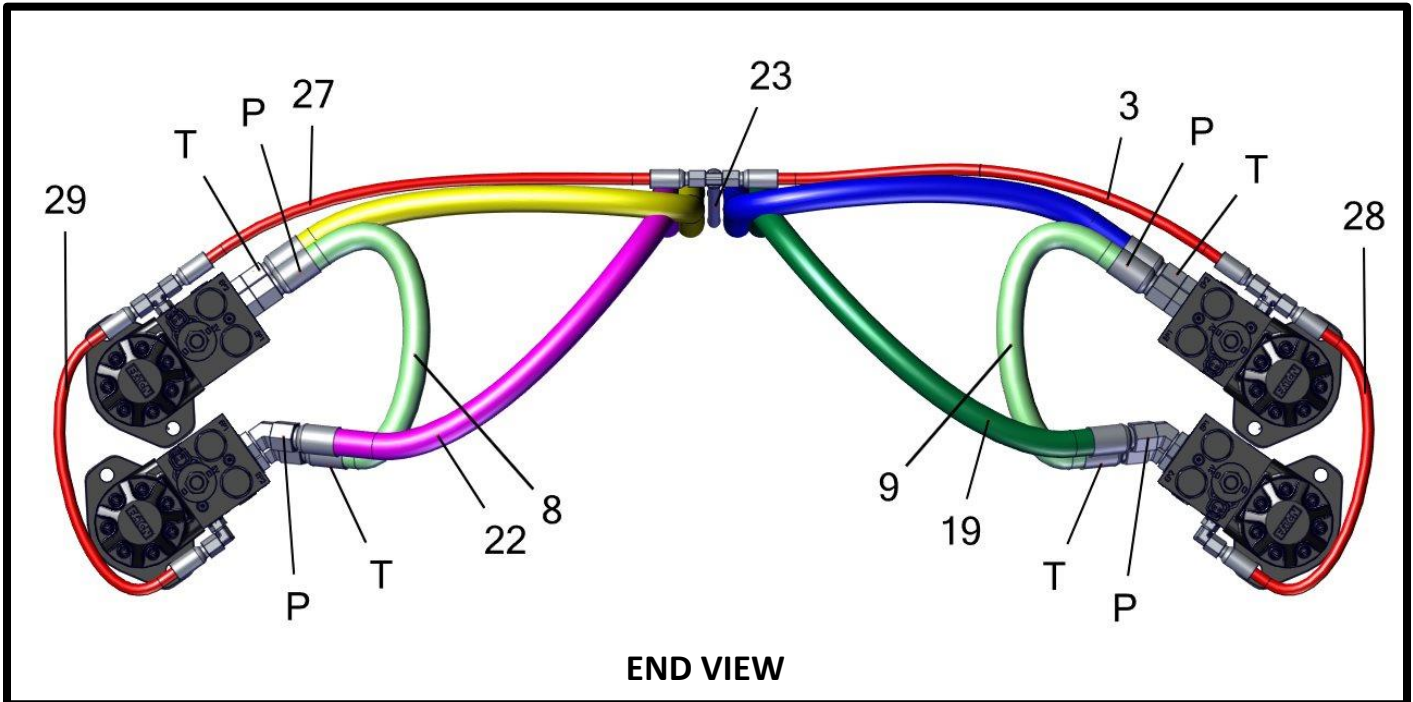
Hydraulics - Four Section Hoses - Fan End (Top View)



Hydraulics - Four Section Hoses

Item No.	Qty	Part Number	Description
1	1	P002412	Hose - Hyd - 1/4" x 25" (#4 F JIC x #4 F JIC)
2	1	P002412	Hose - Hyd - 1/4" x 25" (#4 F JIC x #4 F JIC)
3	1	P002412	Hose - Hyd - 1/4" x 25" (#4 F JIC x #4 F JIC)
4	1	P002419	Hose - Hyd - 1/2" X 25" (#10 F JIC X #10 F JIC)
5	1	P002419	Hose - Hyd - 1/2" X 25" (#10 F JIC X #10 F JIC)
6	1	P002419	Hose - Hyd - 1/2" X 25" (#10 F JIC X #10 F JIC)
7	1	P002419	Hose - Hyd - 1/2" X 25" (#10 F JIC X #10 F JIC)
8	1	P002419	Hose - Hyd - 1/2" X 25" (#10 F JIC X #10 F JIC)
9	1	P002419	Hose - Hyd - 1/2" X 25" (#10 F JIC X #10 F JIC)
10	1	P002595	Hose - Hyd - 1/2" X 36" (#10 F JIC X #10 F JIC)
11	1	P002595	Hose - Hyd - 1/2" X 36" (#10 F JIC X #10 F JIC)
12	1	P002599	Hose - Hyd - 3/8" x 16" (#6 F JIC x #6 F JIC Elbow 90)
13	1	P002601	Hose - Hyd - 3/8" x 39" (#6 F JIC x #6 F JIC)
14	1	P002601	Hose - Hyd - 3/8" x 39" (#6 F JIC x #6 F JIC)
15	1	P002601	Hose - Hyd - 3/8" x 39" (#6 F JIC x #6 F JIC)
16	1	P002602	Hose - Hyd - 3/4" x 45" (#12 F JIC x #12 F JIC)
17	1	P002603	Hose - Hyd - 3/4" x 40" (#12 F JIC x #12 F JIC)
18	1	P002605	Hose - Hyd - 3/8" x 22" (#6 F JIC x #6 F JIC)
19	1	P002607	Hose - Hyd - 1/2" x 120" (#10 F JIC x #10 F JIC)
20	1	P002607	Hose - Hyd - 1/2" x 120" (#10 F JIC x #10 F JIC)
21	1	P002607	Hose - Hyd - 1/2" x 120" (#10 F JIC x #10 F JIC)
22	1	P002607	Hose - Hyd - 1/2" x 120" (#10 F JIC x #10 F JIC)
23	1	P002609	Hose - Hyd - 1/4" x 86" (#4 F JIC x #4 F JIC)
24	1	P002670	Hose - Hyd - 1/4" x 20" (#4 F JIC x #4 F JIC)
25	1	P002670	Hose - Hyd - 1/4" x 20" (#4 F JIC x #4 F JIC)
26	1	P002670	Hose - Hyd - 1/4" x 20" (#4 F JIC x #4 F JIC)
27	1	P002670	Hose - Hyd - 1/4" x 20" (#4 F JIC x #4 F JIC)
28	1	P002670	Hose - Hyd - 1/4" x 20" (#4 F JIC x #4 F JIC)
29	1	P002670	Hose - Hyd - 1/4" x 20" (#4 F JIC x #4 F JIC)
30	1	P002795	Hose - Hyd - 1/4" x 8" (#4 F JIC Elbow 90 x #4 F JIC)
31	1	P002809	Hose - Hydraulic 3/4" x 72" (#12 M O-ring x #12 F JIC Swivel)
		P002585	O-Ring - #12 Buna (4000-12)
32	1	P002809	Hose - Hydraulic 3/4" x 72" (#12 M O-ring x #12 F JIC Swivel)
		P002585	O-Ring - #12 Buna (4000-12)
33	1	P002810	Hose - Hydraulic 1/2" x 72" (#8 M O-ring x #8 F JIC Swivel)
		P002583	O-Ring - #8 Buna (4000-08)
34	1	P002792	Fitting - Hyd - 3/8" M Flush Face Quick Coupling x #8 F O-Ring (ISO 16028)
		P002583	O-Ring - #8 Buna (4000-08)
35	1	P002811	Fitting - Hyd - 1/2" F Flush Face Quick Coupling x #12 F O-ring (ISO 16028)
		P002585	O-Ring - #12 Buna (4000-12)
36	1	P002812	Fitting - Hyd - 3/4" M Flush Face Quick Coupling x #12 F O-Ring (ISO 16028)
		P002585	O-Ring - #12 Buna (4000-12)
37	1	P002813	Cap - Hyd - 1/2" M Flush Face Quick Coupler Dust (ISO 16028)
38	1	P002814	Cap - Hyd - 3/4" M Flush Face Quick Coupler Dust (ISO 16028)
39	1	P002826	Cap - Hyd - 3/8" M Flush Face Quick Coupler Dust (ISO 16028)

Hydraulics - Four Section Hoses - Non-Fan End



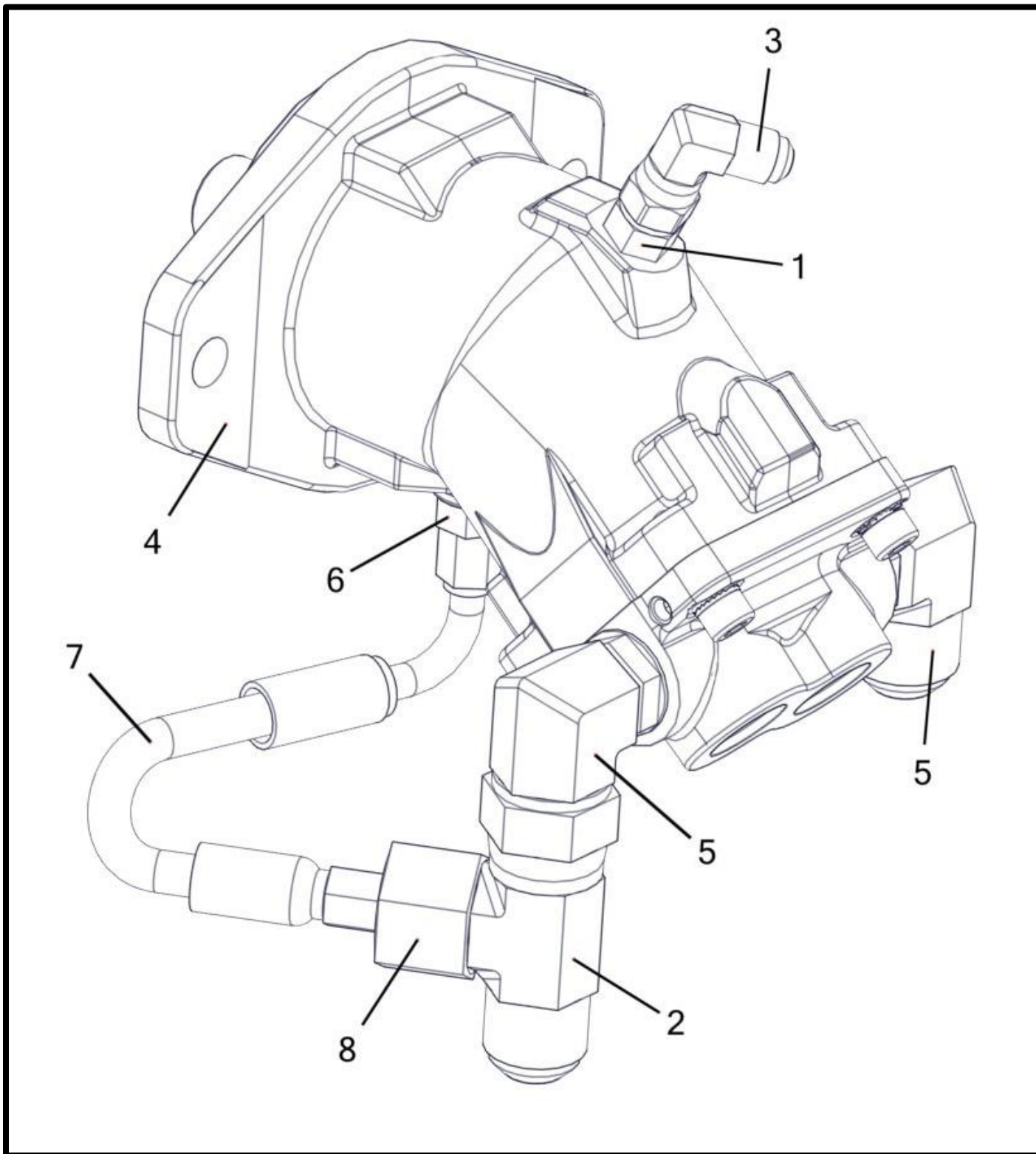
Hydraulics - Four Section Hoses

Item No.	Qty	Part Number	Description
1	1	P002412	Hose - Hyd - 1/4" x 25" (#4 F JIC x #4 F JIC)
2	1	P002412	Hose - Hyd - 1/4" x 25" (#4 F JIC x #4 F JIC)
3	1	P002412	Hose - Hyd - 1/4" x 25" (#4 F JIC x #4 F JIC)
4	1	P002419	Hose - Hyd - 1/2" X 25" (#10 F JIC X #10 F JIC)
5	1	P002419	Hose - Hyd - 1/2" X 25" (#10 F JIC X #10 F JIC)
6	1	P002419	Hose - Hyd - 1/2" X 25" (#10 F JIC X #10 F JIC)
7	1	P002419	Hose - Hyd - 1/2" X 25" (#10 F JIC X #10 F JIC)
8	1	P002419	Hose - Hyd - 1/2" X 25" (#10 F JIC X #10 F JIC)
9	1	P002419	Hose - Hyd - 1/2" X 25" (#10 F JIC X #10 F JIC)
10	1	P002595	Hose - Hyd - 1/2" X 36" (#10 F JIC X #10 F JIC)
11	1	P002595	Hose - Hyd - 1/2" X 36" (#10 F JIC X #10 F JIC)
12	1	P002599	Hose - Hyd - 3/8" x 16" (#6 F JIC x #6 F JIC Elbow 90)
13	1	P002601	Hose - Hyd - 3/8" x 39" (#6 F JIC x #6 F JIC)
14	1	P002601	Hose - Hyd - 3/8" x 39" (#6 F JIC x #6 F JIC)
15	1	P002601	Hose - Hyd - 3/8" x 39" (#6 F JIC x #6 F JIC)
16	1	P002602	Hose - Hyd - 3/4" x 45" (#12 F JIC x #12 F JIC)
17	1	P002603	Hose - Hyd - 3/4" x 40" (#12 F JIC x #12 F JIC)
18	1	P002605	Hose - Hyd - 3/8" x 22" (#6 F JIC x #6 F JIC)
19	1	P002607	Hose - Hyd - 1/2" x 120" (#10 F JIC x #10 F JIC)
20	1	P002607	Hose - Hyd - 1/2" x 120" (#10 F JIC x #10 F JIC)
21	1	P002607	Hose - Hyd - 1/2" x 120" (#10 F JIC x #10 F JIC)
22	1	P002607	Hose - Hyd - 1/2" x 120" (#10 F JIC x #10 F JIC)
23	1	P002609	Hose - Hyd - 1/4" x 86" (#4 F JIC x #4 F JIC)
24	1	P002670	Hose - Hyd - 1/4" x 20" (#4 F JIC x #4 F JIC)
25	1	P002670	Hose - Hyd - 1/4" x 20" (#4 F JIC x #4 F JIC)
26	1	P002670	Hose - Hyd - 1/4" x 20" (#4 F JIC x #4 F JIC)
27	1	P002670	Hose - Hyd - 1/4" x 20" (#4 F JIC x #4 F JIC)
28	1	P002670	Hose - Hyd - 1/4" x 20" (#4 F JIC x #4 F JIC)
29	1	P002670	Hose - Hyd - 1/4" x 20" (#4 F JIC x #4 F JIC)
30	1	P002795	Hose - Hyd - 1/4" x 8" (#4 F JIC Elbow 90 x #4 F JIC)
31	1	P002809	Hose - Hydraulic 3/4" x 72" (#12 M O-ring x #12 F JIC Swivel)
		P002585	O-Ring - #12 Buna (4000-12)
32	1	P002809	Hose - Hydraulic 3/4" x 72" (#12 M O-ring x #12 F JIC Swivel)
		P002585	O-Ring - #12 Buna (4000-12)
33	1	P002810	Hose - Hydraulic 1/2" x 72" (#8 M O-ring x #8 F JIC Swivel)
		P002583	O-Ring - #8 Buna (4000-08)
34	1	P002792	Fitting - Hyd - 3/8" M Flush Face Quick Coupling x #8 F O-Ring (ISO 16028)
		P002583	O-Ring - #8 Buna (4000-08)
35	1	P002811	Fitting - Hyd - 1/2" F Flush Face Quick Coupling x #12 F O-ring (ISO 16028)
		P002585	O-Ring - #12 Buna (4000-12)
36	1	P002812	Fitting - Hyd - 3/4" M Flush Face Quick Coupling x #12 F O-Ring (ISO 16028)
		P002585	O-Ring - #12 Buna (4000-12)
37	1	P002813	Cap - Hyd - 1/2" M Flush Face Quick Coupler Dust (ISO 16028)
38	1	P002814	Cap - Hyd - 3/4" M Flush Face Quick Coupler Dust (ISO 16028)
39	1	P002826	Cap - Hyd - 3/8" M Flush Face Quick Coupler Dust (ISO 16028)

Hydraulic Block Fittings

Item No.	Qty	Part Number	Description
1	1	P000378	Switch - Hyd Pressure Sensor (15-35 PSI) (Case Drain)
2	4	P000385	Fitting - Hyd - #12 M JIC x #12 M O-Ring Elbow 90
		P002585	O-Ring - #12 Buna (4000-12)
3	1	P000386	Fitting - Hyd - #6 M O-Ring x #8 M JIC Elbow 90
		P002582	O-Ring - #6 Buna (4000-06)
4	1	P000388	Fitting - Hyd - #6 F JIC x 1/4" F Pipe Adapter Union
5	1	P000389	Fitting - Hyd - 1&3=#6 M JIC, 2=#6 M O-Ring Tee
		P002582	O-Ring - #6 Buna (4000-06)
6	1	P000390	Fitting - Hyd - #6 M O-Ring x #6 M JIC Elbow 90
		P002582	O-Ring - #6 Buna (4000-06)
7	1	P000391	Fitting - #6 F JIC Adapter to 3/8" Push-Lock Barb
8	1	P000919	Fitting - Hyd - 1&3=#6 M JIC, 2=#6 F JIC Tee (6602-06-06-06)
9	1	P000920	Fitting - Hyd - #4 M JIC x #6 F Rigid JIC Straight (2406-06-04)
10	2	P000925	Fitting - Hyd - #10 M O-ring x #10 M JIC Elbow 90 (6801-10-10-NWO)
		P002584	O-Ring - #10 Buna (4000-10)
11	2	P000928	Fitting - Hyd - #6 M O-Ring x #6 M JIC Straight
		P002582	O-Ring - #6 Buna (4000-06)
12	2	P002613	Fitting - Hyd - #10 M O-ring x #10 M JIC Elbow 45
		P002584	O-Ring - #10 Buna (4000-10)
13	1	P002669	Fitting - Hyd - #6 M JIC x #6 F JIC Swivel Elbow 90

Fan Motor

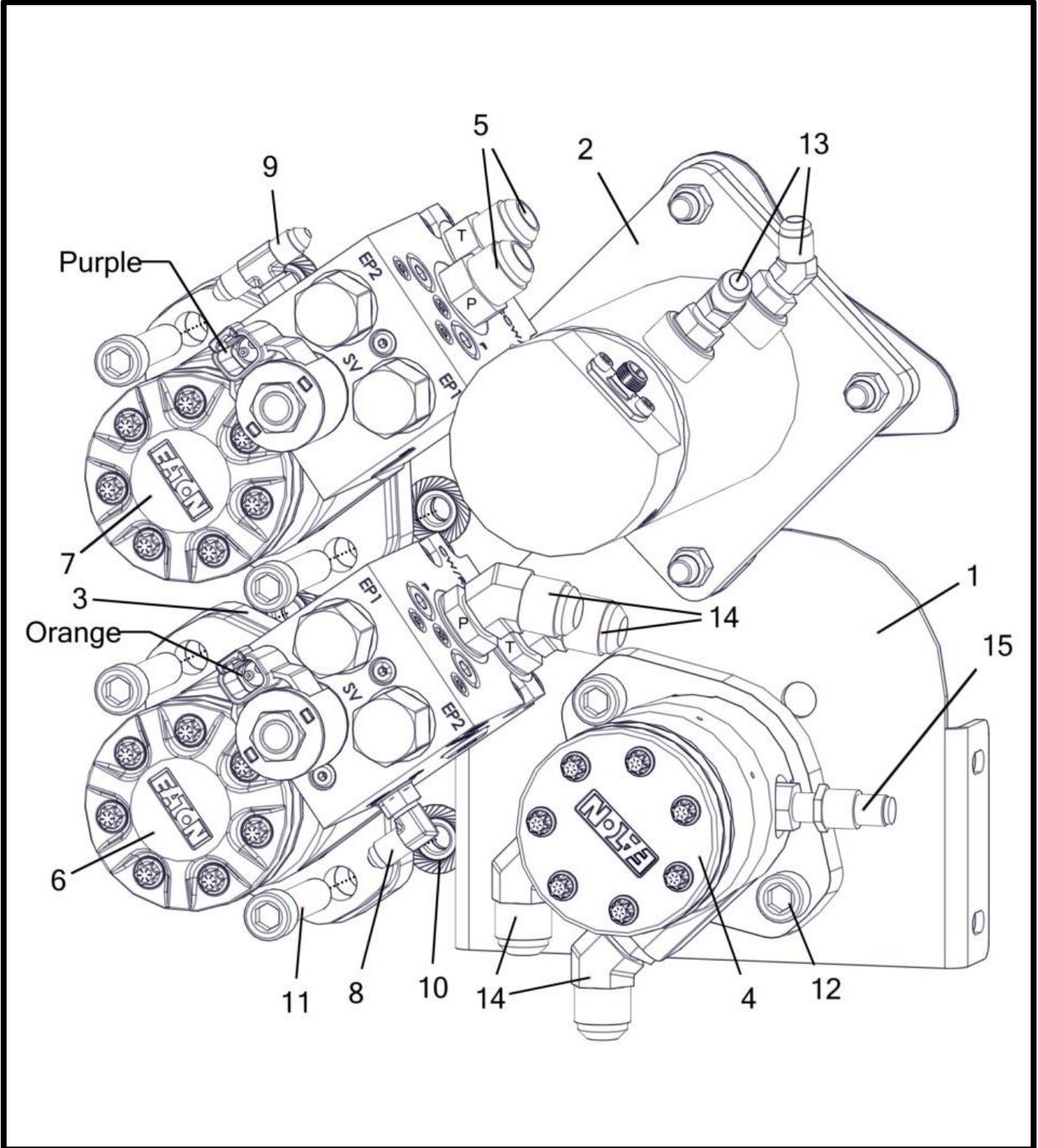


Fan Motor

Item No.	Qty	Part Number	Description
1	1	P000928	Fitting - Hyd - #6 M O-Ring x #6 M JIC Straight
2	1	P002618	Fitting - Hyd - 1&2=#12 JIC, #3=#12 F JIC Swivel Tee (6602-12-12-12) *
		P002582	O-Ring - #6 Buna (4000-06)
3	1	P002669	Fitting - Hyd - #6 M JIC x #6 F JIC Swivel Elbow 90
4	1	P002755	Motor - Hyd. Piston Bent Axis 12 C/C, SAE B (51722-00)
5	2	P002769	Fitting - Hyd - #10 M O-Ring x #12 M JIC Elbow 90
6	1	P002793	Fitting - Hyd - #6 M O-Ring x #4 M JIC Straight (.031 Orifice) (6400R-04-06-.031) *
		P002584	O-Ring - #10 Buna (4000-10)
7	1	P002795	Hose - Hyd - 1/4" x 8" (#4 F JIC Elbow 90 x #4 F JIC) *
		P002582	O-Ring - #6 Buna (4000-06)
8	1	P002803	Fitting - Hyd. - #4 M JIC x #12 F JIC Rigid Reducer Straight (2406-12-04) *

(*) Included In K002173 - Kit - High Speed Motor Flushing Circuit

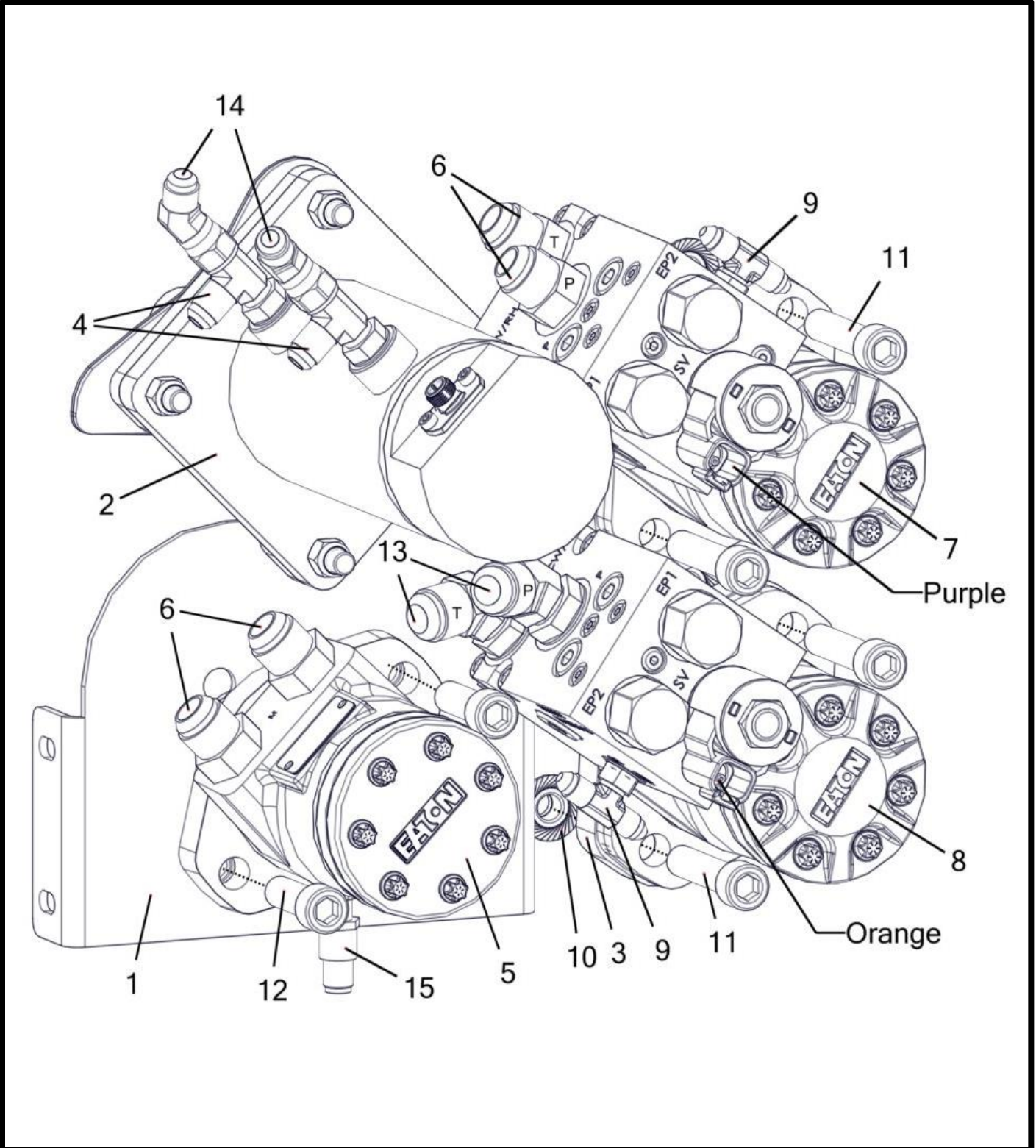
Motors and Slide Gate Cylinders - Tank 1 Fan End - Left Side Facing



Motors and Slide Gate Cylinders - Tank 1 Fan End - Left Side Facing

Item No.	Qty	Part Number	Description
1	1	A002155	Bracket Assembly- Encoder Motor Mounting
2	1	A002235__	Cylinder - Slide gate Sub-Assembly 12 Row
3	2	M002604__	Plate - Motor Spacer (3/4")
4	1	P000828	Motor - Hyd. 4.5 CU/IN Char-Lynn w/ Speed Sensor (101-3525-009)
5	2	P000836	Fitting - Hyd - #10 M O-Ring x #10 M JIC Straight
		<i>P002584</i>	<i>O-Ring - #10 Buna (4000-10)</i>
6	1	P000881	Motor - Hyd. 4.5 CU/IN Char-Lynn Single Poppet Valve (CW) (MA2783-15)
7	1	P000882	Motor - Hyd. 4.5 CU/IN Char-Lynn Single Poppet Valve (CCW) (MA2784-15)
8	1	P000917	Fitting - Hyd - #4 M O-Ring x #4 M JIC Elbow 90
		<i>P002581</i>	<i>O-Ring - #4 Buna (4000-04)</i>
9	1	P000918	Fitting - Hyd - 1&2=#4 M JIC, 3=#4 M O-Ring Tee
		<i>P002581</i>	<i>O-Ring - #4 Buna (4000-04)</i>
10	6	P002226	Nut - 1/2-13 Flange Nylon Lock (18-8 S/S FB)
11	4	P002235	Bolt - 1/2-13 x 2.25 x 1.25 Socket Head (F593 304 S/S FB)
12	2	P002237	Bolt - 1/2-13 x 1.5 x 1.25 Socket Head (F593 304 S/S FB)
13	2	P002432	Fitting - Hyd - #6 M O-Ring x #6 M JIC Elbow 45
		<i>P002582</i>	<i>O-Ring - #6 Buna (4000-06)</i>
14	4	P002613	Fitting - Hyd - #10 M O-ring x #10 M JIC Elbow 45
		<i>P002584</i>	<i>O-Ring - #10 Buna (4000-10)</i>
15	1	P000926	Sensor - Char-Lynn Motor Speed Sensor (60 Pulse)

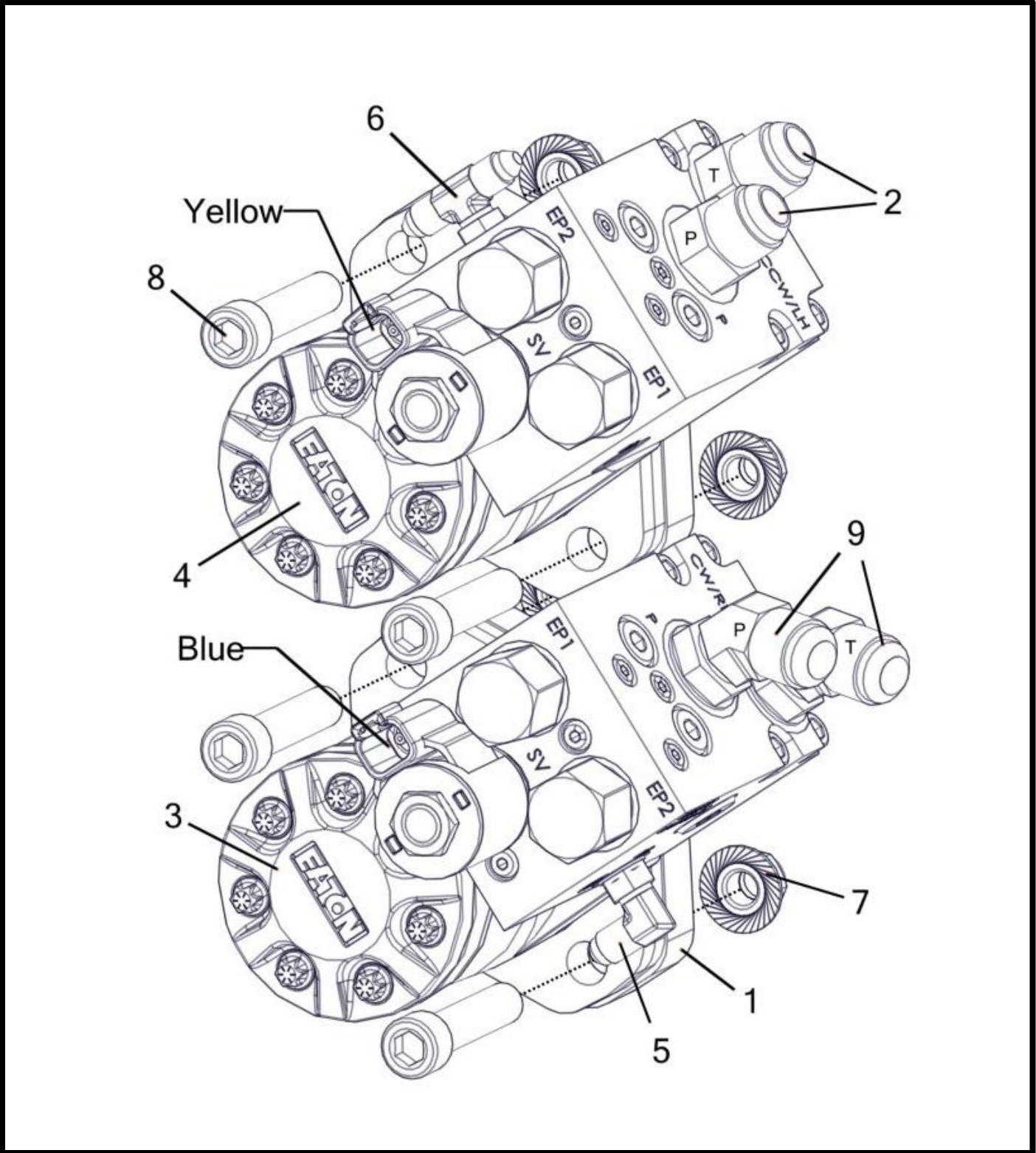
Motors and Slide Gate Cylinders - Tank 2 Fan End - Right Side Facing



Motors and Slide Gate Cylinders - Tank 2 Fan End - Right Side Facing

Item No.	Qty	Part Number	Description
1	1	A002155	Bracket Assembly- Encoder Motor Mounting
2	1	A002235_ _	Cylinder - Slidegate Sub-Assembly 12 Row
3	2	M002604_ _	Plate - Motor Spacer (3/4")
4	2	P000389	Fitting - Hyd - 1&3=#6 M JIC, 2=#6 M O-Ring Tee
		<i>P002582</i>	<i>O-Ring - #6 Buna (4000-06)</i>
5	1	P000828	Motor - Hyd. 4.5 CU/IN Char-Lynn w/ Speed Sensor (101-3525-009)
6	4	P000836	Fitting - Hyd - #10 M O-Ring x #10 M JIC Straight
		<i>P002584</i>	<i>O-Ring - #10 Buna (4000-10)</i>
7	1	P000881	Motor - Hyd. 4.5 CU/IN Char-Lynn Single Poppet Valve (CW) (MA2783-15)
8	1	P000882	Motor - Hyd. 4.5 CU/IN Char-Lynn Single Poppet Valve (CCW) (MA2784-15)
9	2	P000918	Fitting - Hyd - 1&2=#4 M JIC, 3=#4 M O-Ring Tee
		<i>P002581</i>	<i>O-Ring - #4 Buna (4000-04)</i>
10	6	P002226	Nut - 1/2-13 Flange Nylon Lock (18-8 S/S FB)
11	4	P002235	Bolt - 1/2-13 x 2.25 x 1.25 Socket Head (F593 304 S/S FB)
12	2	P002237	Bolt - 1/2-13 x 1.5 x 1.25 Socket Head (F593 304 S/S FB)
13	2	P002613	Fitting - Hyd - #10 M O-ring x #10 M JIC Elbow 45
		<i>P002584</i>	<i>O-Ring - #10 Buna (4000-10)</i>
14	2	P002668	Fitting - Hyd - #6 M JIC x #6 F JIC Swivel Elbow 45
15	1	P000926	Sensor - Char-Lynn Motor Speed Sensor (60 Pulse)

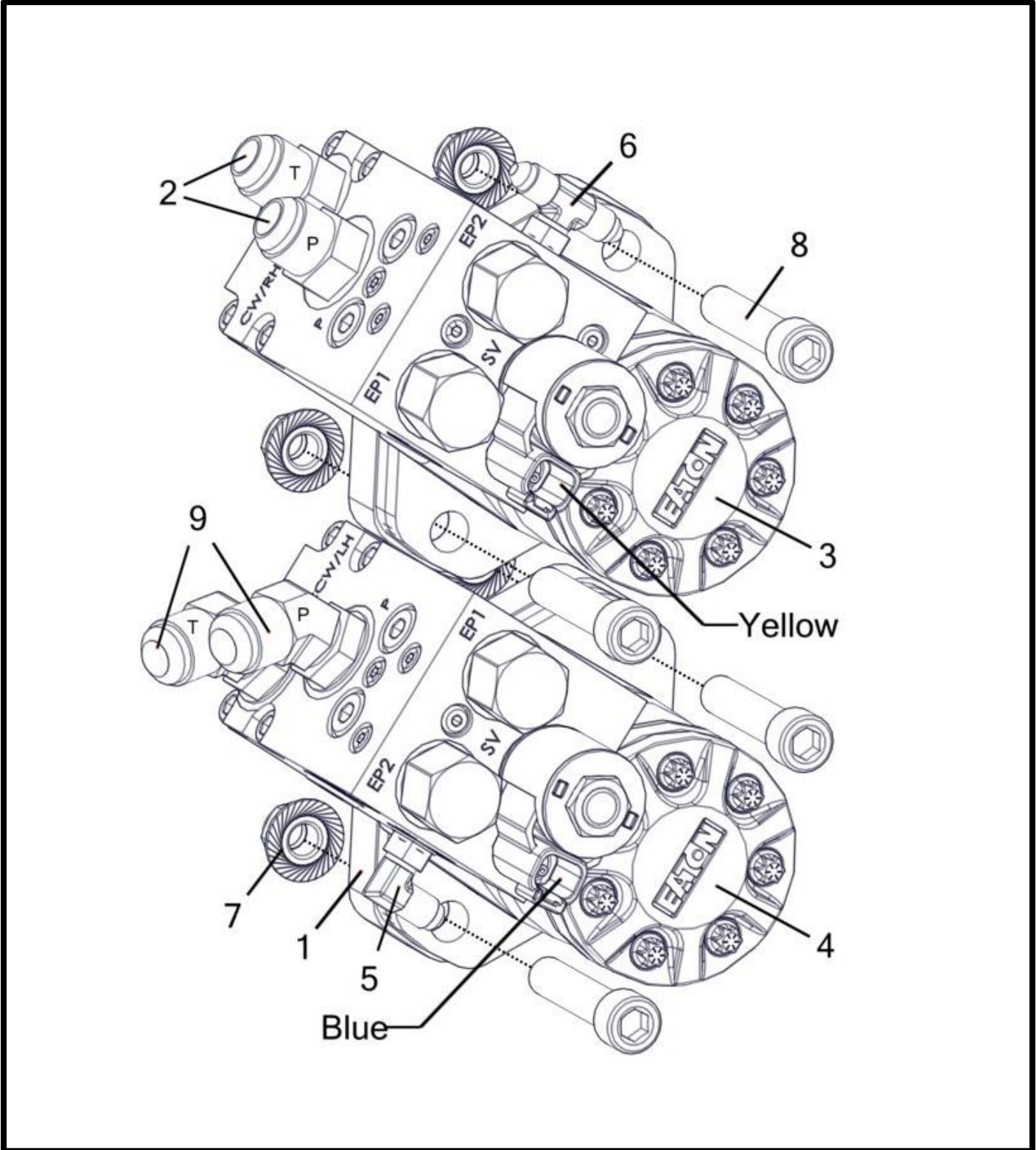
Motors - Tank 2 Non-Fan End - Left Side Facing



Motors - Tank 2 Non-Fan End - Left Side Facing

Item No.	Qty.	Part Number	Description
1	2	M002604__	Plate - Motor Spacer (3/4")
2	2	P000836	Fitting - Hyd - #10 M O-Ring x #10 M JIC Straight
		<i>P002584</i>	<i>O-Ring - #10 Buna (4000-10)</i>
3	1	P000881	Motor - Hyd. 4.5 CU/IN Char-Lynn Single Poppet Valve (CW) (MA2783-15)
4	1	P000882	Motor - Hyd. 4.5 CU/IN Char-Lynn Single Poppet Valve (CCW) (MA2784-15)
5	1	P000917	Fitting - Hyd - #4 M O-Ring x #4 M JIC Elbow 90
		<i>P002581</i>	<i>O-Ring - #4 Buna (4000-04)</i>
6	1	P000918	Fitting - Hyd - 1&3=#4 M JIC, 2=#4 M O-Ring Tee
		<i>P002581</i>	<i>O-Ring - #4 Buna (4000-04)</i>
7	4	P002226	Nut - 1/2-13 Flange Nylon Lock (18-8 S/S FB)
8	4	P002235	Bolt - 1/2-13 x 2.25 x 1.25 Socket Head (F593 304 S/S FB)
9	2	P002613	Fitting - Hyd - #10 M O-ring x #10 M JIC Elbow 45
		<i>P002584</i>	<i>O-Ring - #10 Buna (4000-10)</i>

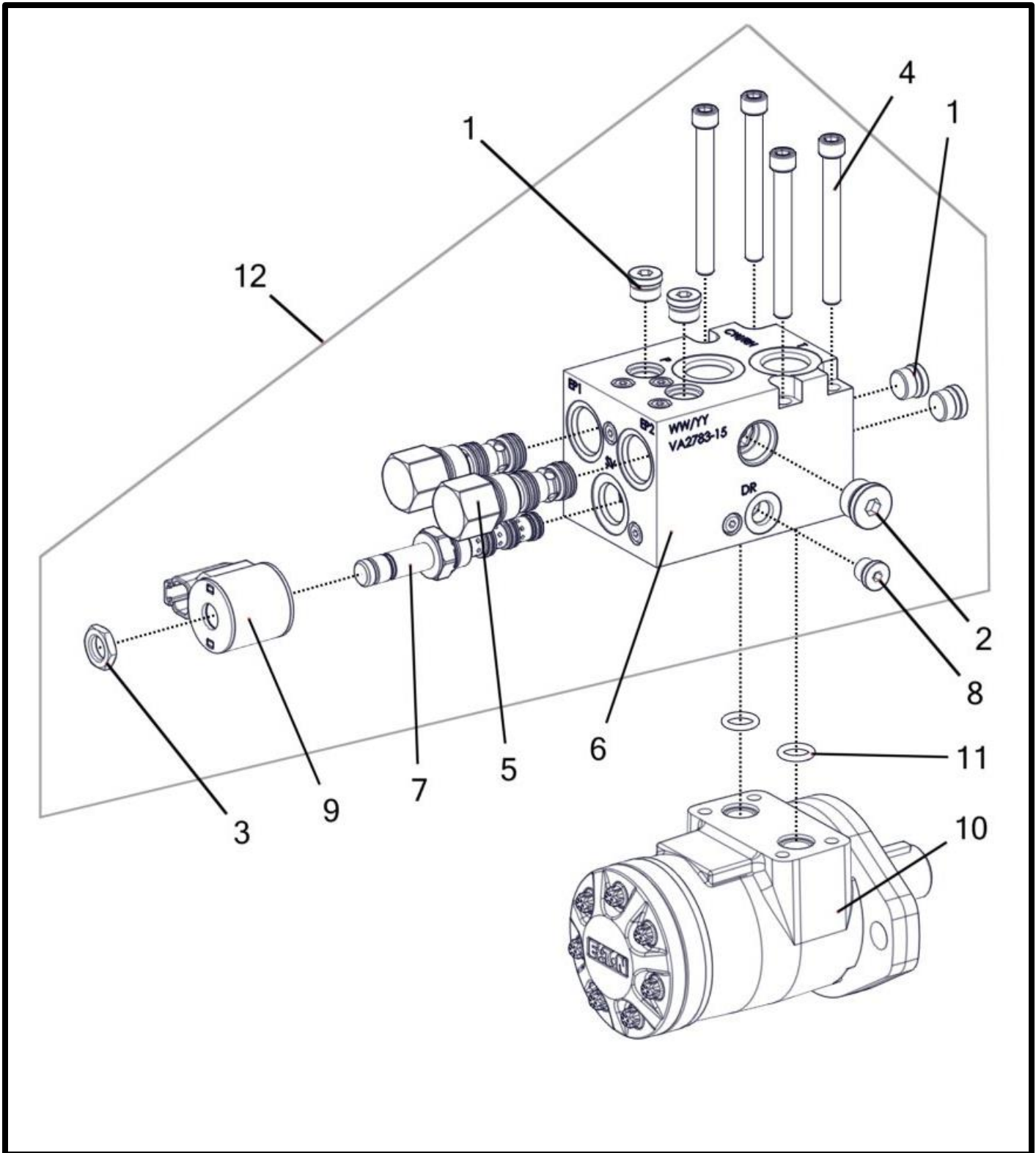
Motors - Tank 1 Non-Fan End - Right Side Facing



Motors - Tank 1 Non-Fan End - Right Side Facing

Item No.	Qty.	Part Number	Description
1	2	M002604__	Plate - Motor Spacer (3/4")
2	2	P000836	Fitting - Hyd - #10 M O-Ring x #10 M JIC Straight
		<i>P002584</i>	<i>O-Ring - #10 Buna (4000-10)</i>
3	1	P000881	Motor - Hyd. 4.5 CU/IN Char-Lynn Single Poppet Valve (CW) (MA2783-15)
4	1	P000882	Motor - Hyd. 4.5 CU/IN Char-Lynn Single Poppet Valve (CCW) (MA2784-15)
5	1	P000917	Fitting - Hyd - #4 M O-Ring x #4 M JIC Elbow 90
		<i>P002581</i>	<i>O-Ring - #4 Buna (4000-04)</i>
6	1	P000918	Fitting - Hyd - 1&3=#4 M JIC, 2=#4 M O-Ring Tee
		<i>P002581</i>	<i>O-Ring - #4 Buna (4000-04)</i>
7	4	P002226	Nut - 1/2-13 Flange Nylon Lock (18-8 S/S FB)
8	4	P002235	Bolt - 1/2-13 x 2.25 x 1.25 Socket Head (F593 304 S/S FB)
9	2	P002613	Fitting - Hyd - #10 M O-ring x #10 M JIC Elbow 45
		<i>P002584</i>	<i>O-Ring - #10 Buna (4000-10)</i>

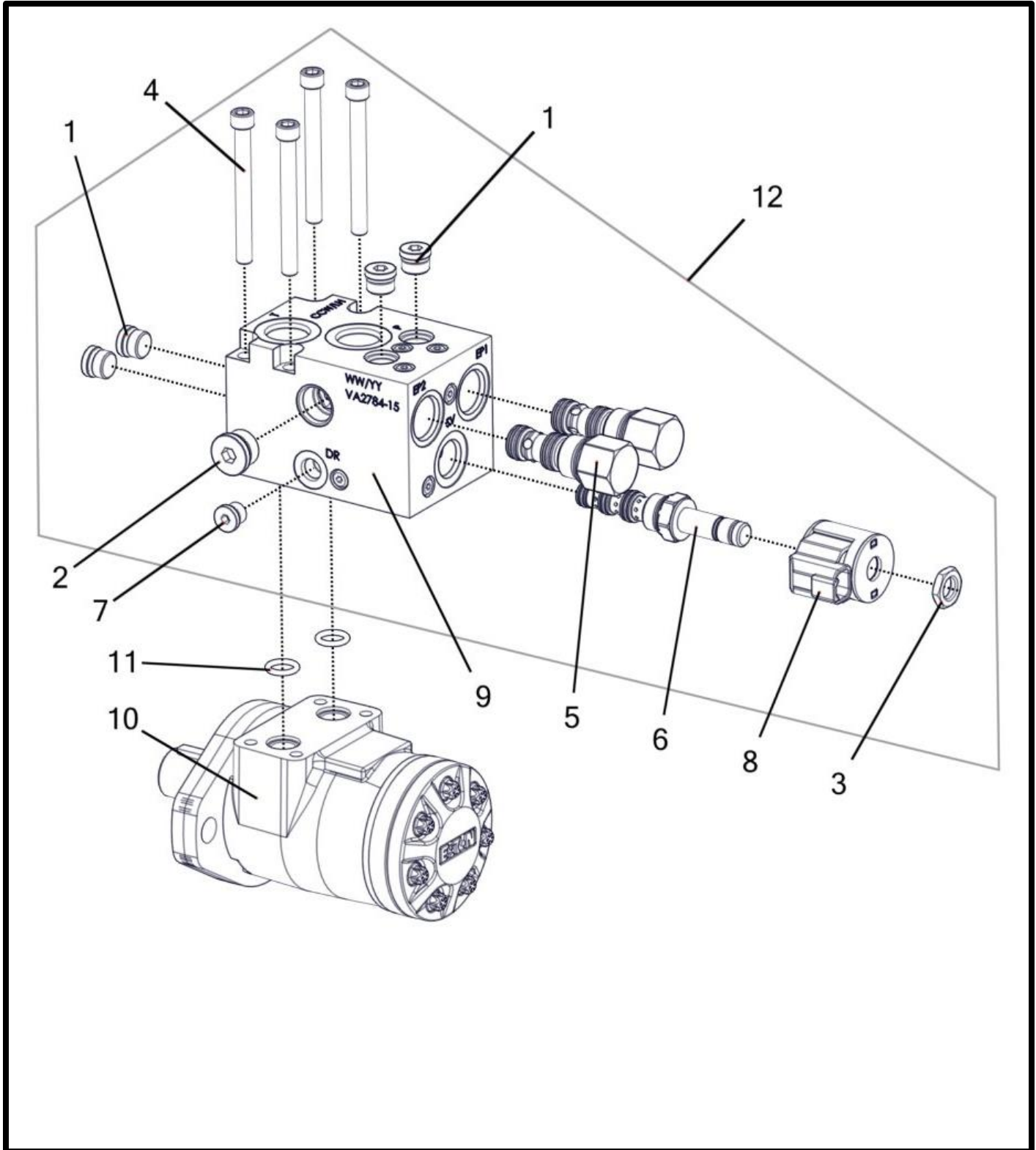
Motor Breakdown - P000881 (CW)



Motor Breakdown - P000881 (CW)

Item No.	Qty	Part Number	Description
		P000881	Motor - Hyd. 4.5 CU/IN Char-Lynn Single Poppet Valve (CW) (MA2783-15)
1	4	P000788	Plug - Hyd. - #06 O-Ring 6408-HHP-06
		<i>P002582</i>	<i>O-Ring - #6 Buna (4000-06)</i>
2	1	P000789	Plug - Hyd. - #08 O-Ring 6408-HHP-08
		<i>P002583</i>	<i>O-Ring - #8 Buna (4000-08)</i>
3	1	P002517	Nut - Coil 7004400
4	4	P002518	Bolt - 5/16-18 x 3 x 0.875 Socket Head (F593 304 S/S FB)
5	2	P002519	Valve - #10 Piloted Spool Type Logic Element 10 PSI EP10-S35-0-N-10
		<i>P002570</i>	<i>Kit - SK10-3N-MM Replacement Seal</i>
6	1	P002520	Block - Hydraulic Motor Drive (VA2783-15)
7	1	P002521	Valve - #8 Spool, 4-Way, 2-Position SV08-40-0-N-00
		<i>P002580</i>	<i>Kit - SK08-4N-MMM Replacement Seal</i>
8	1	P000787	Plug - Hyd. - #04 O-Ring 6408-HHP-04
		<i>P002581</i>	<i>O-Ring - #4 Buna (4000-04)</i>
9	1	P002523	E-Coil - #8, 12 VDC, Deutsch DT04-2P (4303612)
10	1	P002734	Motor - Hyd. Ported H-Series 4.5 CID (101-1042-009)
11	2	P002735	O-Ring - .50" x .09" CS Buna (1-112-70N)
12	1	P002524	Manifold - Hyd. Motor On/Off Control (VA2783-15)

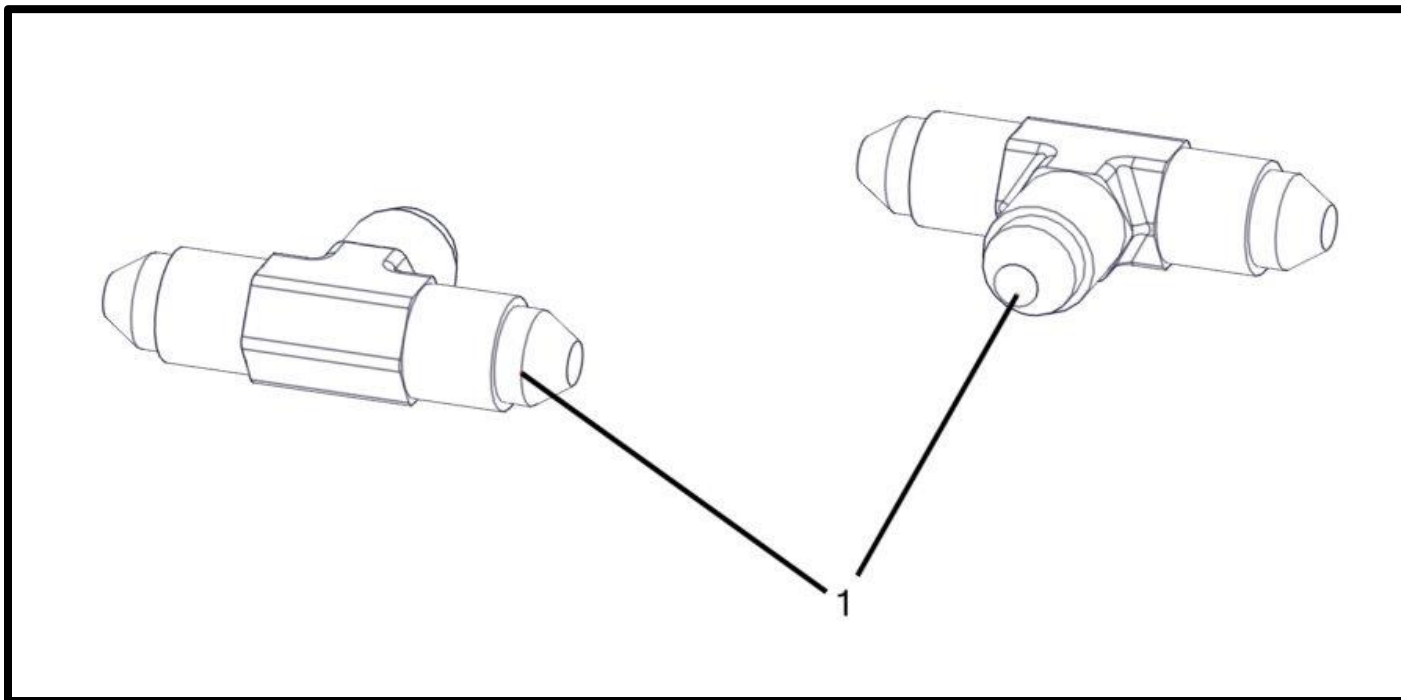
Motor Breakdown - P000882 (CCW)



Motor Breakdown - P000882 (CCW)

Item No.	Qty	Part Number	Description
		P000882	Motor - Hyd. 4.5 CU/IN Char-Lynn Single Poppet Valve (CCW) (MA2784-15)
1	4	P000788	Plug - Hyd. - #06 O-Ring 6408-HHP-06
		<i>P002582</i>	<i>O-Ring - #6 Buna (4000-06)</i>
2	1	P000789	Plug - Hyd. - #08 O-Ring 6408-HHP-08
		<i>P002583</i>	<i>O-Ring - #8 Buna (4000-08)</i>
3	1	P002517	Nut - Coil 7004400
4	4	P002518	Bolt - 5/16-18 x 3 x 0.875 Socket Head (F593 304 S/S FB)
5	2	P002519	Valve - #10 Piloted Spool Type Logic Element 10 PSI EP10-S35-0-N-10
		<i>P002570</i>	<i>Kit - SK10-3N-MM Replacement Seal</i>
6	1	P002521	Valve - #8 Spool, 4-Way, 2-Position SV08-40-0-N-00
		<i>P002580</i>	<i>Kit - SK08-4N-MMM Replacement Seal</i>
7	1	P000787	Plug - Hyd. - #04 O-Ring 6408-HHP-04
		<i>P002581</i>	<i>O-Ring - #4 Buna (4000-04)</i>
8	1	P002523	E-Coil - #8, 12 VDC, Deutsch DT04-2P (4303612)
9	1	P002527	Block - Hydraulic Motor Drive (VA2784-15)
10	1	P002734	Motor - Hyd. Ported H-Series 4.5 CID (101-1042-009)
11	2	P002735	O-Ring - .50" x .09" CS Buna (1-112-70N)
12	1	P002526	Manifold - Hyd. Motor On/Off Control (VA2784-15)

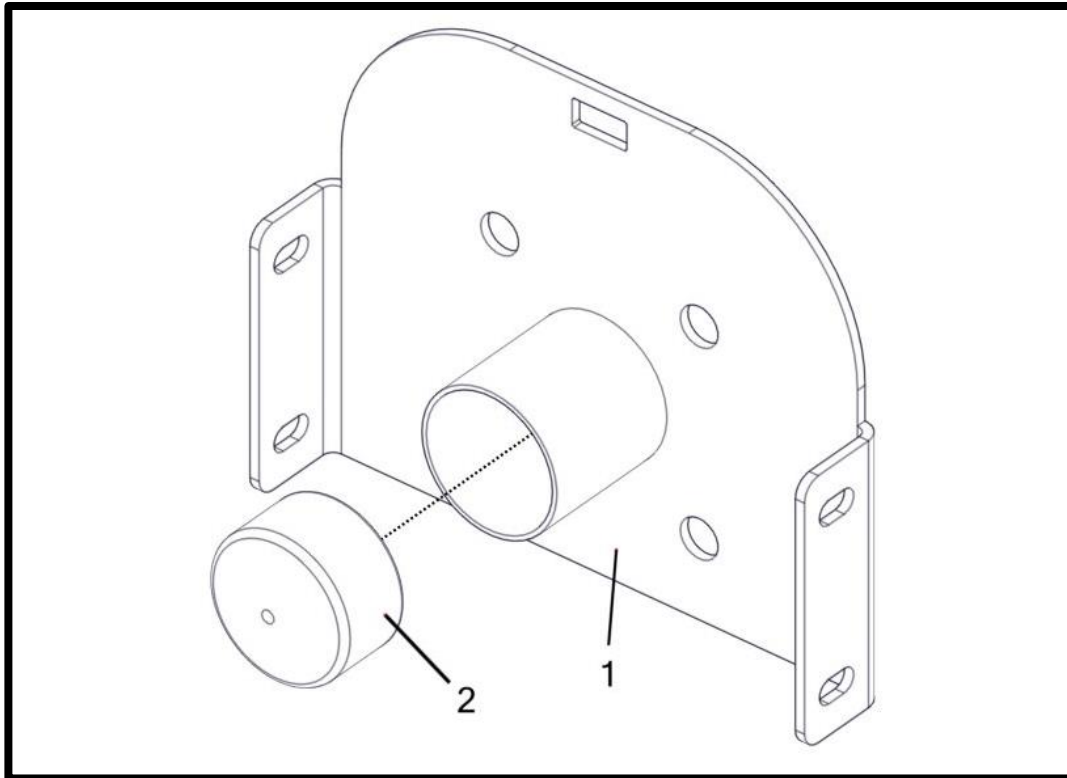
Front And Rear Center Tees



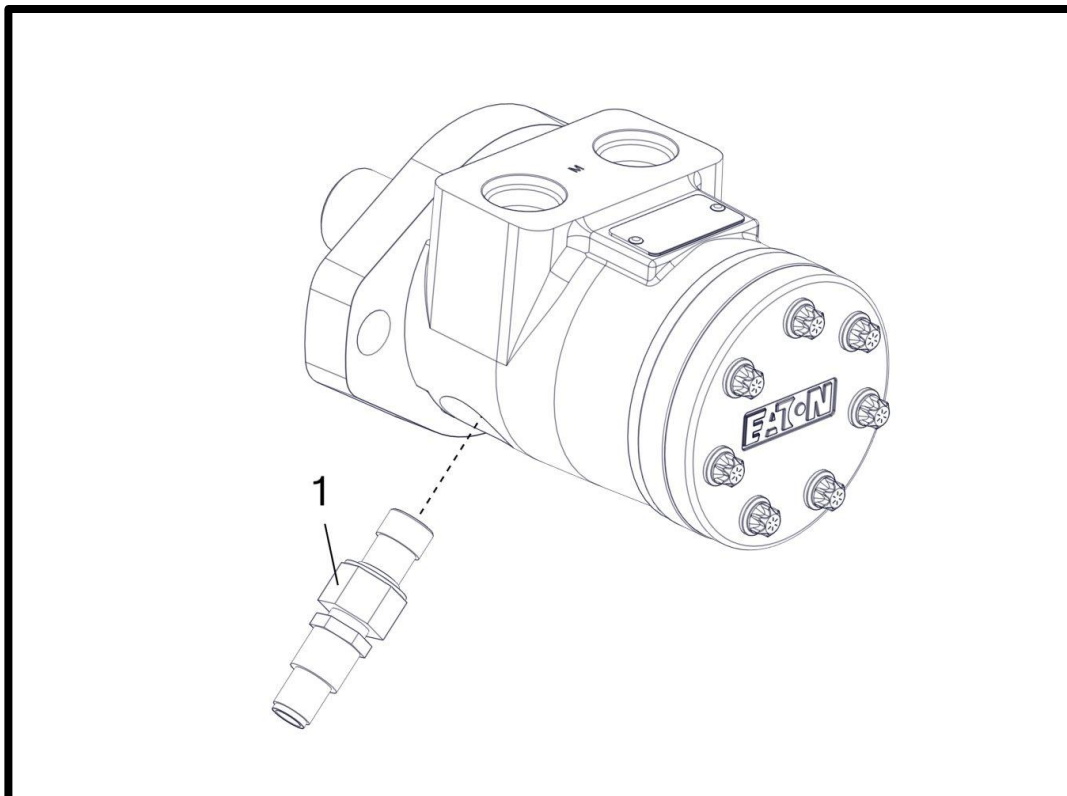
Front and Rear Center Tees

Item No.	Qty.	Part Number	Description
1	2	P000922	Fitting - Hyd - 1/2" x 3/4" M JIC Tee

Bracket Assembly - Encoder Motor Mounting



Speed Sensor (All Section Variations)



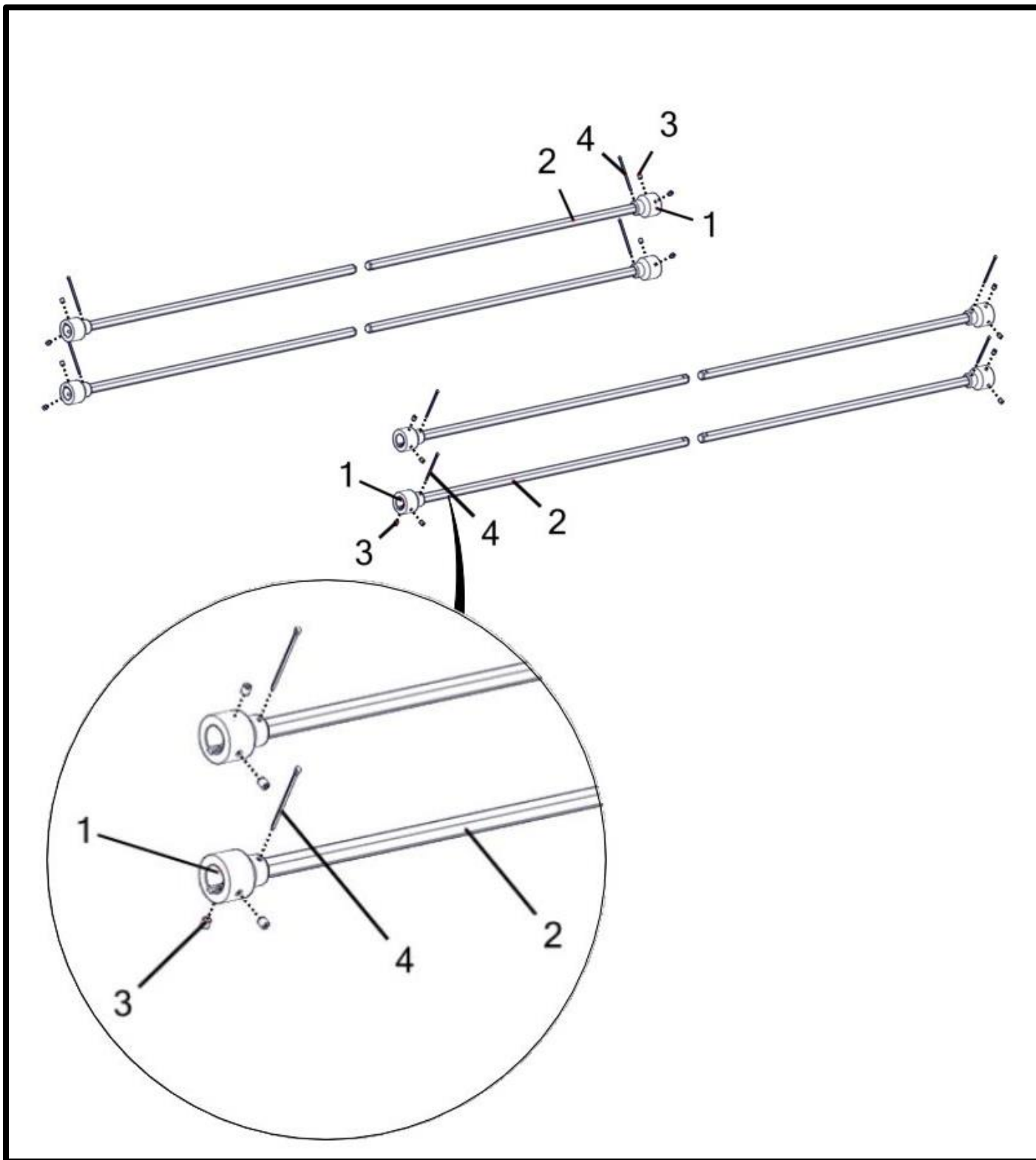
Bracket Assembly - Encoder Motor Mounting

Item No.	Qty	Part Number	Description
		A002155	Bracket Assembly- Encoder Motor Mounting
1	1	W002378	Bracket - Encoder Motor Mounting
2	1	P002079	Cap - 1-7/8" I.D. x 1" Vinyl

Speed Sensor (All Section Variations)

Item No.	Qty.	Part Number	Description
1	1	P000926	Sensor - Char-Lynn Motor Speed Sensor (60 Pulse) 12 Volt

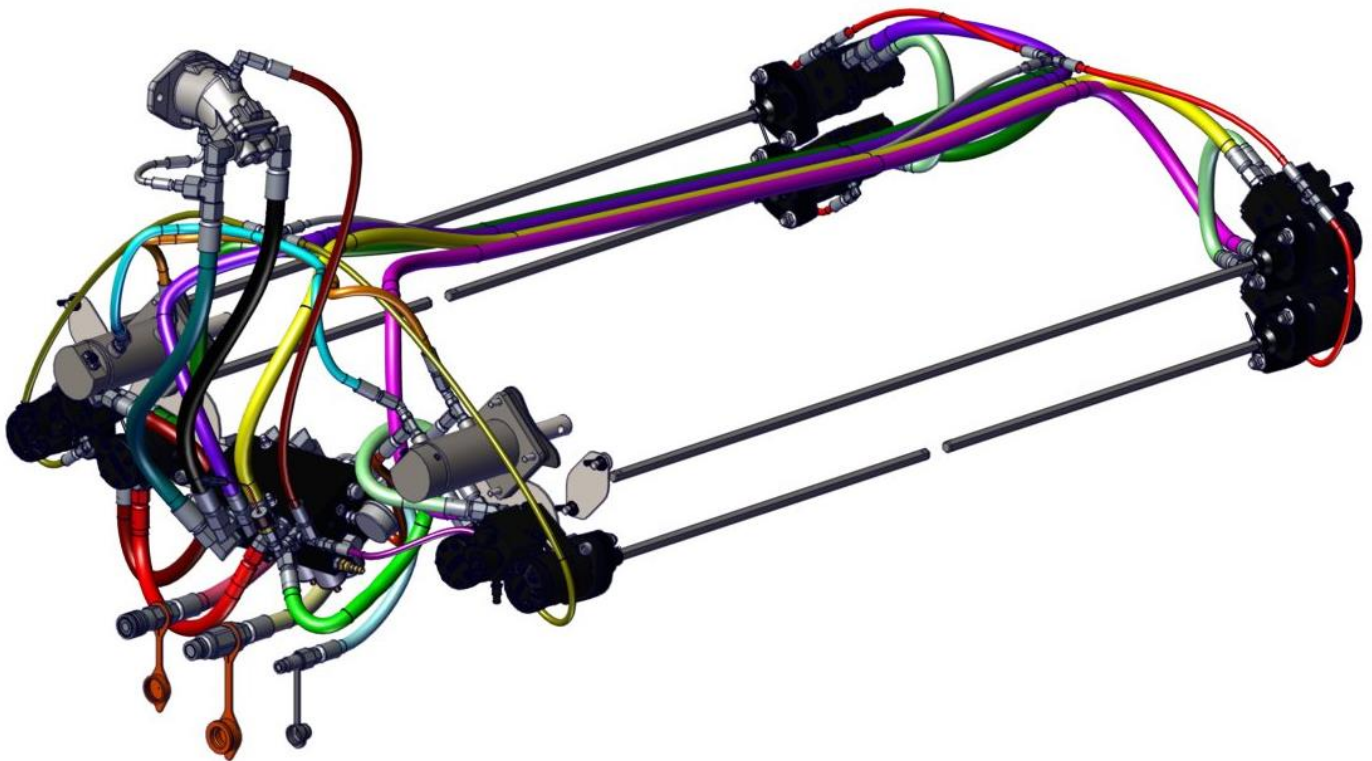
Four Section Drive Shafts And Couplers



Four Section Drive Shafts And Couplers

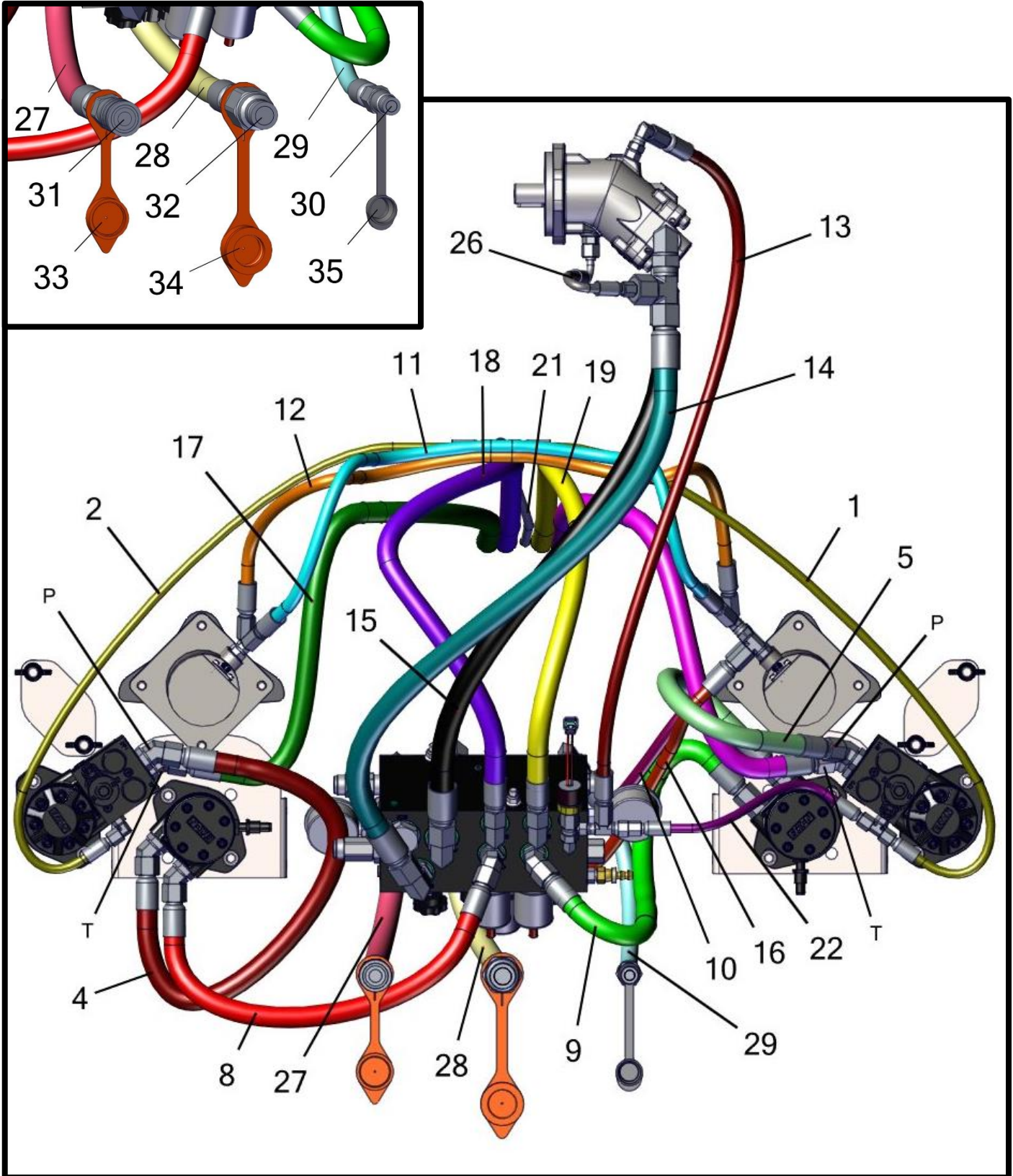
Item No.	Qty	Part Number	Description
1	8	M002152	Coupler - 1" Round w/ Keyway to 5/8" Hex Shaft
2	8	M002872	Shaft - Gen II 12 Row 5/8" Short Drive
3	16	P000785	Set Screw - 5/16-18 x 5/16" UNC
4	8	P002013	Cotter Pin - 1/8" x 2.64" (S/S)

3 Section Hydraulic Fittings And Hoses



K002342 - Kit - 2 Bin 3 Section Gen II 2212 Complete Hydraulic
K002343 - Kit - 2 Bin 3 Section Gen II 2212 Complete
K002174 - Kit - STS To Fortifier 2212 Hydraulic Connection

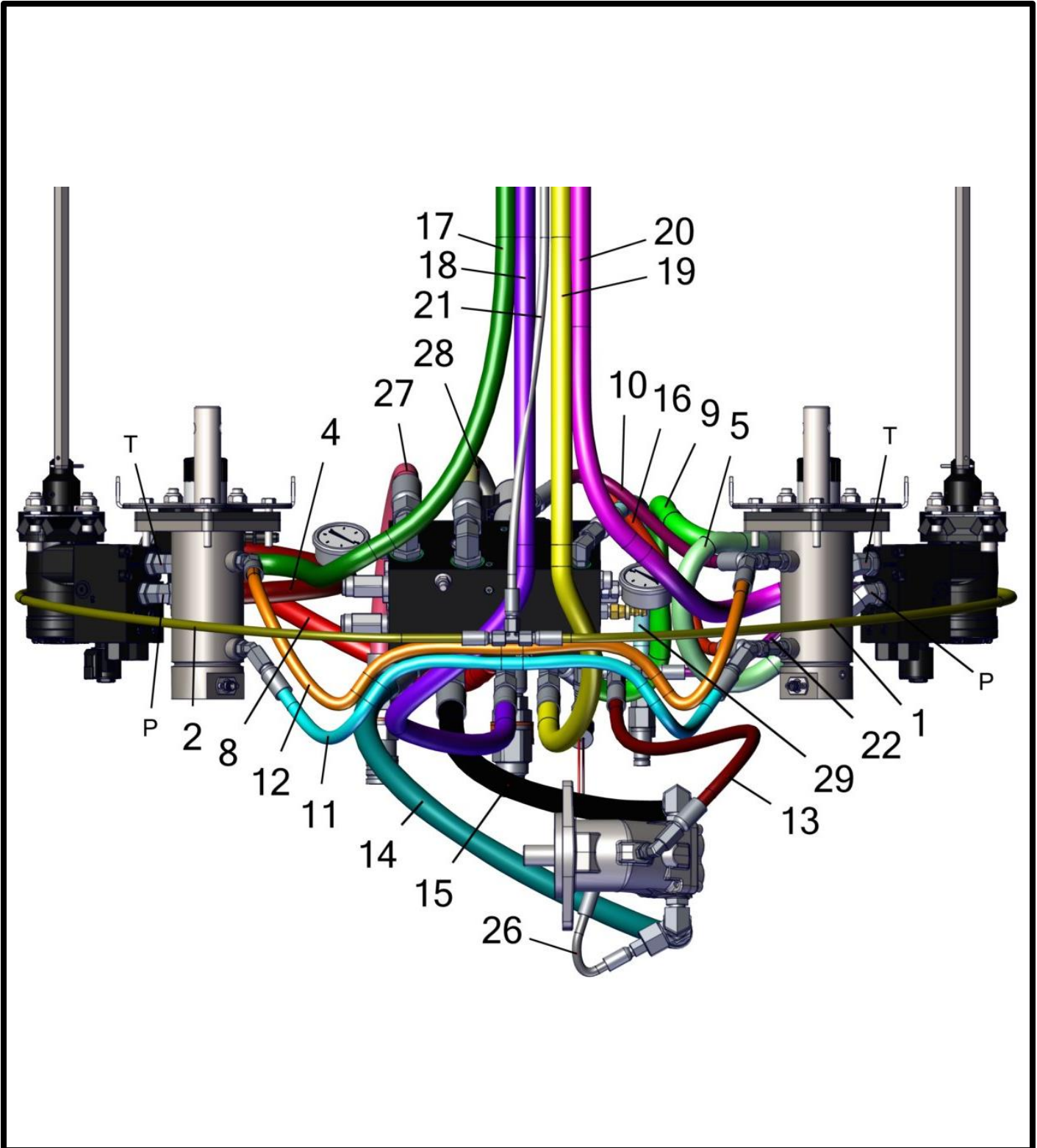
Hydraulics - Three Section Hoses - Fan End



Hydraulics - Three Section Hoses

Item No.	Qty	Part Number	Description
1	1	P002201	Hose - Hyd - 1/4" x 61" (#4 F JIC x #4 F JIC)
2	1	P002201	Hose - Hyd - 1/4" x 61" (#4 F JIC x #4 F JIC)
3	1	P002412	Hose - Hyd - 1/4" x 25" (#4 F JIC x #4 F JIC)
4	1	P002419	Hose - Hyd - 1/2" X 25" (#10 F JIC X #10 F JIC)
5	1	P002419	Hose - Hyd - 1/2" X 25" (#10 F JIC X #10 F JIC)
6	1	P002419	Hose - Hyd - 1/2" X 25" (#10 F JIC X #10 F JIC)
7	1	P002419	Hose - Hyd - 1/2" X 25" (#10 F JIC X #10 F JIC)
8	1	P002595	Hose - Hyd - 1/2" X 36" (#10 F JIC X #10 F JIC)
9	1	P002595	Hose - Hyd - 1/2" X 36" (#10 F JIC X #10 F JIC)
10	1	P002599	Hose - Hyd - 3/8" x 16" (#6 F JIC x #6 F JIC Elbow 90)
11	1	P002601	Hose - Hyd - 3/8" x 39" (#6 F JIC x #6 F JIC)
12	1	P002601	Hose - Hyd - 3/8" x 39" (#6 F JIC x #6 F JIC)
13	1	P002601	Hose - Hyd - 3/8" x 39" (#6 F JIC x #6 F JIC)
14	1	P002602	Hose - Hyd - 3/4" x 45" (#12 F JIC x #12 F JIC)
15	1	P002603	Hose - Hyd - 3/4" x 40" (#12 F JIC x #12 F JIC)
16	1	P002605	Hose - Hyd - 3/8" x 22" (#6 F JIC x #6 F JIC)
17	1	P002607	Hose - Hyd - 1/2" x 120" (#10 F JIC x #10 F JIC)
18	1	P002607	Hose - Hyd - 1/2" x 120" (#10 F JIC x #10 F JIC)
19	1	P002607	Hose - Hyd - 1/2" x 120" (#10 F JIC x #10 F JIC)
20	1	P002607	Hose - Hyd - 1/2" x 120" (#10 F JIC x #10 F JIC)
21	1	P002609	Hose - Hyd - 1/4" x 86" (#4 F JIC x #4 F JIC)
22	1	P002670	Hose - Hyd - 1/4" x 20" (#4 F JIC x #4 F JIC)
23	1	P002670	Hose - Hyd - 1/4" x 20" (#4 F JIC x #4 F JIC)
24	1	P002670	Hose - Hyd - 1/4" x 20" (#4 F JIC x #4 F JIC)
25	1	P002670	Hose - Hyd - 1/4" x 20" (#4 F JIC x #4 F JIC)
26	1	P002795	Hose - Hyd - 1/4" x 8" (#4 F JIC Elbow 90 x #4 F JIC)
27	1	P002809	Hose - Hydraulic 3/4" x 72" (#12 M O-ring x #12 F JIC Swivel)
		P002585	O-Ring - #12 Buna (4000-12)
28	1	P002809	Hose - Hydraulic 3/4" x 72" (#12 M O-ring x #12 F JIC Swivel)
		P002585	O-Ring - #12 Buna (4000-12)
29	1	P002810	Hose - Hydraulic 1/2" x 72" (#8 M O-ring x #8 F JIC Swivel)
		P002583	O-Ring - #8 Buna (4000-08)
30	1	P002792	Fitting - Hyd - 3/8" M Flush Face Quick Coupling x #8 F O-Ring (ISO 16028)
		P002583	O-Ring - #8 Buna (4000-08)
31	1	P002811	Fitting - Hyd - 1/2" F Flush Face Quick Coupling x #12 F O-ring (ISO 16028)
		P002585	O-Ring - #12 Buna (4000-12)
32	1	P002812	Fitting - Hyd - 3/4" M Flush Face Quick Coupling x #12 F O-Ring (ISO 16028)
		P002585	O-Ring - #12 Buna (4000-12)
33	1	P002813	Cap - Hyd - 1/2" M Flush Face Quick Coupler Dust (ISO 16028)
34	1	P002814	Cap - Hyd - 3/4" M Flush Face Quick Coupler Dust (ISO 16028)
35	1	P002826	Cap - Hyd - 3/8" M Flush Face Quick Coupler Dust (ISO 16028)

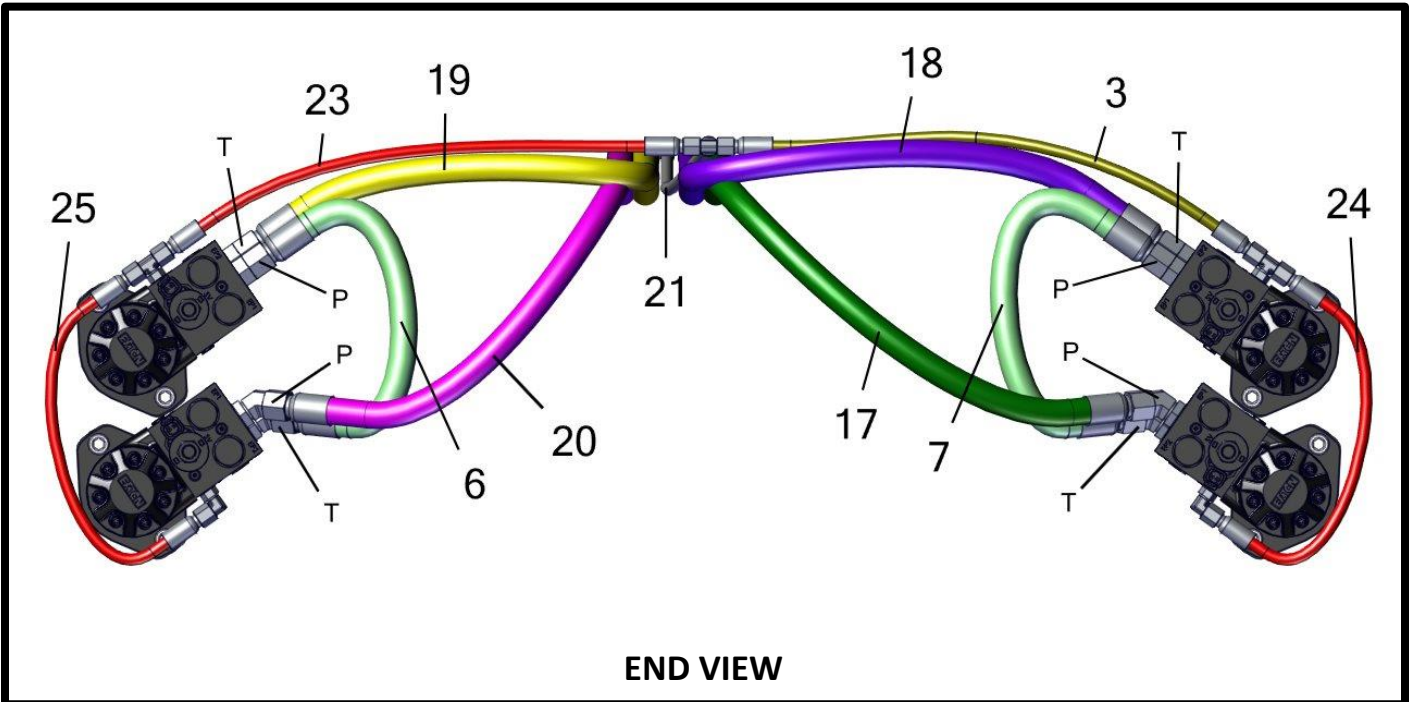
Hydraulics - Three Section Hoses - Fan End (Top View)



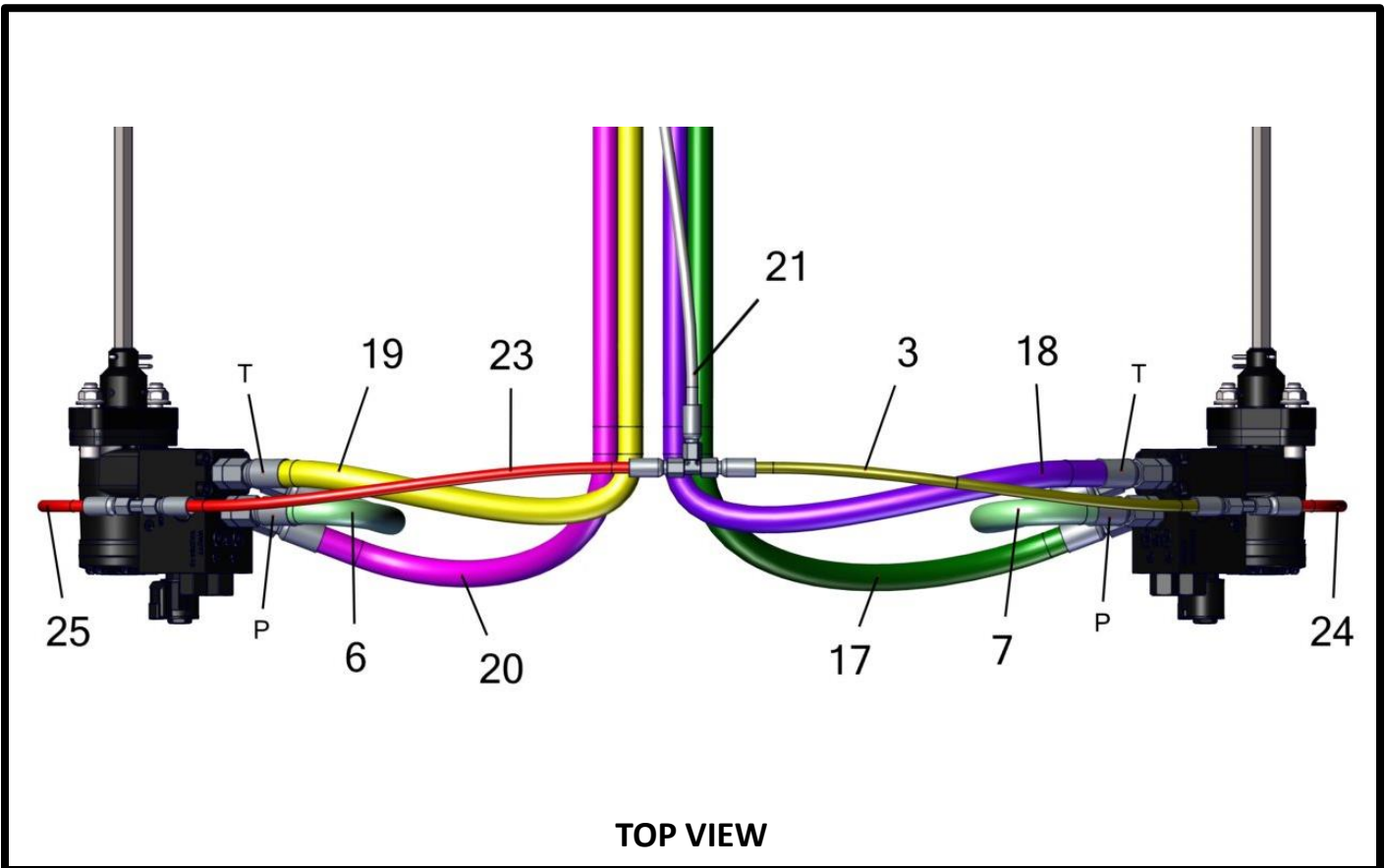
Hydraulics - Three Section Hoses

Item No.	Qty	Part Number	Description
1	1	P002201	Hose - Hyd - 1/4" x 61" (#4 F JIC x #4 F JIC)
2	1	P002201	Hose - Hyd - 1/4" x 61" (#4 F JIC x #4 F JIC)
3	1	P002412	Hose - Hyd - 1/4" x 25" (#4 F JIC x #4 F JIC)
4	1	P002419	Hose - Hyd - 1/2" X 25" (#10 F JIC X #10 F JIC)
5	1	P002419	Hose - Hyd - 1/2" X 25" (#10 F JIC X #10 F JIC)
6	1	P002419	Hose - Hyd - 1/2" X 25" (#10 F JIC X #10 F JIC)
7	1	P002419	Hose - Hyd - 1/2" X 25" (#10 F JIC X #10 F JIC)
8	1	P002595	Hose - Hyd - 1/2" X 36" (#10 F JIC X #10 F JIC)
9	1	P002595	Hose - Hyd - 1/2" X 36" (#10 F JIC X #10 F JIC)
10	1	P002599	Hose - Hyd - 3/8" x 16" (#6 F JIC x #6 F JIC Elbow 90)
11	1	P002601	Hose - Hyd - 3/8" x 39" (#6 F JIC x #6 F JIC)
12	1	P002601	Hose - Hyd - 3/8" x 39" (#6 F JIC x #6 F JIC)
13	1	P002601	Hose - Hyd - 3/8" x 39" (#6 F JIC x #6 F JIC)
14	1	P002602	Hose - Hyd - 3/4" x 45" (#12 F JIC x #12 F JIC)
15	1	P002603	Hose - Hyd - 3/4" x 40" (#12 F JIC x #12 F JIC)
16	1	P002605	Hose - Hyd - 3/8" x 22" (#6 F JIC x #6 F JIC)
17	1	P002607	Hose - Hyd - 1/2" x 120" (#10 F JIC x #10 F JIC)
18	1	P002607	Hose - Hyd - 1/2" x 120" (#10 F JIC x #10 F JIC)
19	1	P002607	Hose - Hyd - 1/2" x 120" (#10 F JIC x #10 F JIC)
20	1	P002607	Hose - Hyd - 1/2" x 120" (#10 F JIC x #10 F JIC)
21	1	P002609	Hose - Hyd - 1/4" x 86" (#4 F JIC x #4 F JIC)
22	1	P002670	Hose - Hyd - 1/4" x 20" (#4 F JIC x #4 F JIC)
23	1	P002670	Hose - Hyd - 1/4" x 20" (#4 F JIC x #4 F JIC)
24	1	P002670	Hose - Hyd - 1/4" x 20" (#4 F JIC x #4 F JIC)
25	1	P002670	Hose - Hyd - 1/4" x 20" (#4 F JIC x #4 F JIC)
26	1	P002795	Hose - Hyd - 1/4" x 8" (#4 F JIC Elbow 90 x #4 F JIC)
27	1	P002809	Hose - Hydraulic 3/4" x 72" (#12 M O-ring x #12 F JIC Swivel)
		P002585	O-Ring - #12 Buna (4000-12)
28	1	P002809	Hose - Hydraulic 3/4" x 72" (#12 M O-ring x #12 F JIC Swivel)
		P002585	O-Ring - #12 Buna (4000-12)
29	1	P002810	Hose - Hydraulic 1/2" x 72" (#8 M O-ring x #8 F JIC Swivel)
		P002583	O-Ring - #8 Buna (4000-08)
30	1	P002792	Fitting - Hyd - 3/8" M Flush Face Quick Coupling x #8 F O-Ring (ISO 16028)
		P002583	O-Ring - #8 Buna (4000-08)
31	1	P002811	Fitting - Hyd - 1/2" F Flush Face Quick Coupling x #12 F O-ring (ISO 16028)
		P002585	O-Ring - #12 Buna (4000-12)
32	1	P002812	Fitting - Hyd - 3/4" M Flush Face Quick Coupling x #12 F O-Ring (ISO 16028)
		P002585	O-Ring - #12 Buna (4000-12)
33	1	P002813	Cap - Hyd - 1/2" M Flush Face Quick Coupler Dust (ISO 16028)
34	1	P002814	Cap - Hyd - 3/4" M Flush Face Quick Coupler Dust (ISO 16028)
35	1	P002826	Cap - Hyd - 3/8" M Flush Face Quick Coupler Dust (ISO 16028)

Hydraulics - Three Section Hoses - Non-Fan End



END VIEW

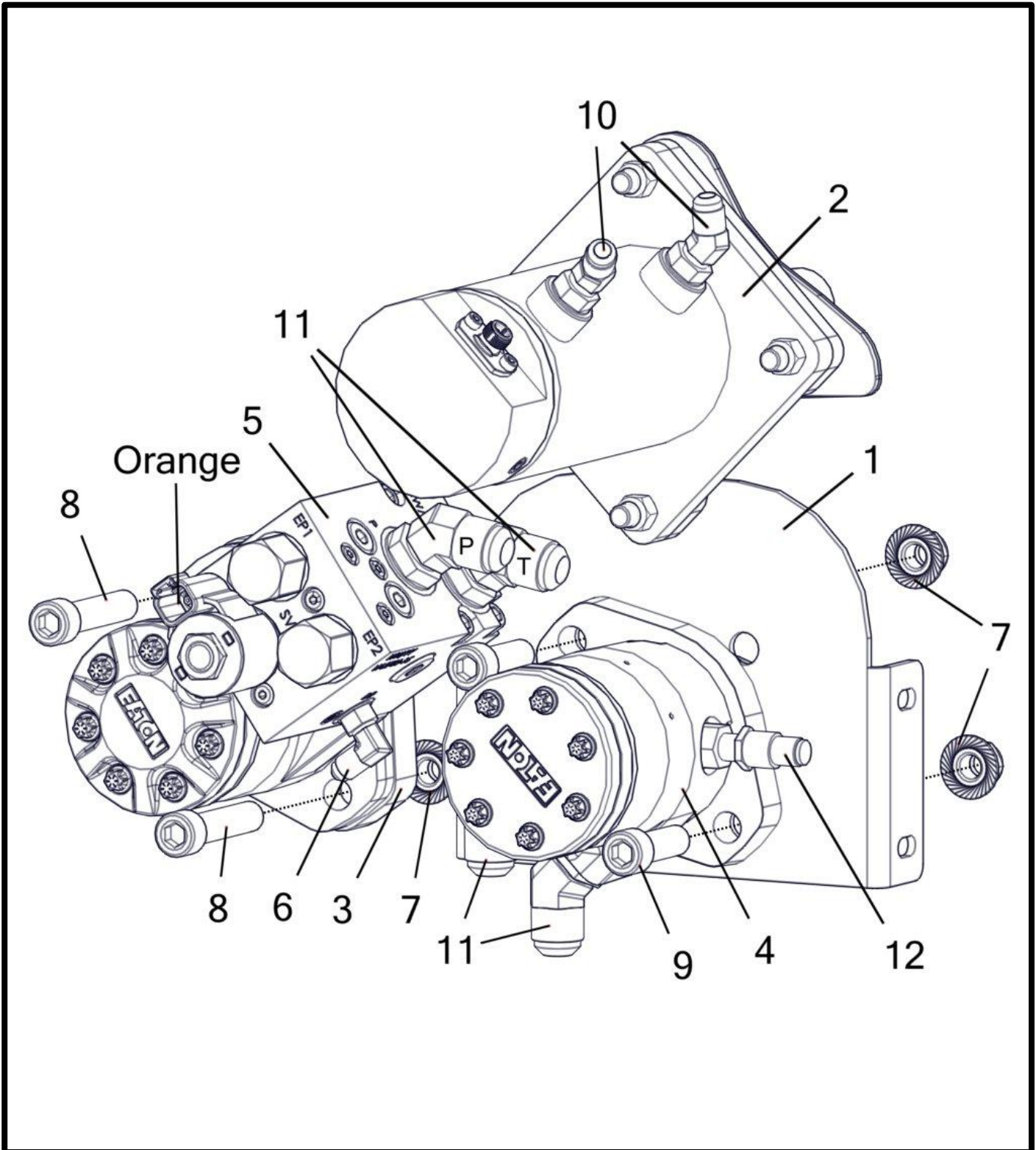


TOP VIEW

Hydraulics - Three Section Hoses

Item No.	Qty	Part Number	Description
1	1	P002201	Hose - Hyd - 1/4" x 61" (#4 F JIC x #4 F JIC)
2	1	P002201	Hose - Hyd - 1/4" x 61" (#4 F JIC x #4 F JIC)
3	1	P002412	Hose - Hyd - 1/4" x 25" (#4 F JIC x #4 F JIC)
4	1	P002419	Hose - Hyd - 1/2" X 25" (#10 F JIC X #10 F JIC)
5	1	P002419	Hose - Hyd - 1/2" X 25" (#10 F JIC X #10 F JIC)
6	1	P002419	Hose - Hyd - 1/2" X 25" (#10 F JIC X #10 F JIC)
7	1	P002419	Hose - Hyd - 1/2" X 25" (#10 F JIC X #10 F JIC)
8	1	P002595	Hose - Hyd - 1/2" X 36" (#10 F JIC X #10 F JIC)
9	1	P002595	Hose - Hyd - 1/2" X 36" (#10 F JIC X #10 F JIC)
10	1	P002599	Hose - Hyd - 3/8" x 16" (#6 F JIC x #6 F JIC Elbow 90)
11	1	P002601	Hose - Hyd - 3/8" x 39" (#6 F JIC x #6 F JIC)
12	1	P002601	Hose - Hyd - 3/8" x 39" (#6 F JIC x #6 F JIC)
13	1	P002601	Hose - Hyd - 3/8" x 39" (#6 F JIC x #6 F JIC)
14	1	P002602	Hose - Hyd - 3/4" x 45" (#12 F JIC x #12 F JIC)
15	1	P002603	Hose - Hyd - 3/4" x 40" (#12 F JIC x #12 F JIC)
16	1	P002605	Hose - Hyd - 3/8" x 22" (#6 F JIC x #6 F JIC)
17	1	P002607	Hose - Hyd - 1/2" x 120" (#10 F JIC x #10 F JIC)
18	1	P002607	Hose - Hyd - 1/2" x 120" (#10 F JIC x #10 F JIC)
19	1	P002607	Hose - Hyd - 1/2" x 120" (#10 F JIC x #10 F JIC)
20	1	P002607	Hose - Hyd - 1/2" x 120" (#10 F JIC x #10 F JIC)
21	1	P002609	Hose - Hyd - 1/4" x 86" (#4 F JIC x #4 F JIC)
22	1	P002670	Hose - Hyd - 1/4" x 20" (#4 F JIC x #4 F JIC)
23	1	P002670	Hose - Hyd - 1/4" x 20" (#4 F JIC x #4 F JIC)
24	1	P002670	Hose - Hyd - 1/4" x 20" (#4 F JIC x #4 F JIC)
25	1	P002670	Hose - Hyd - 1/4" x 20" (#4 F JIC x #4 F JIC)
26	1	P002795	Hose - Hyd - 1/4" x 8" (#4 F JIC Elbow 90 x #4 F JIC)
27	1	P002809	Hose - Hydraulic 3/4" x 72" (#12 M O-ring x #12 F JIC Swivel)
		P002585	O-Ring - #12 Buna (4000-12)
28	1	P002809	Hose - Hydraulic 3/4" x 72" (#12 M O-ring x #12 F JIC Swivel)
		P002585	O-Ring - #12 Buna (4000-12)
29	1	P002810	Hose - Hydraulic 1/2" x 72" (#8 M O-ring x #8 F JIC Swivel)
		P002583	O-Ring - #8 Buna (4000-08)
30	1	P002792	Fitting - Hyd - 3/8" M Flush Face Quick Coupling x #8 F O-Ring (ISO 16028)
		P002583	O-Ring - #8 Buna (4000-08)
31	1	P002811	Fitting - Hyd - 1/2" F Flush Face Quick Coupling x #12 F O-ring (ISO 16028)
		P002585	O-Ring - #12 Buna (4000-12)
32	1	P002812	Fitting - Hyd - 3/4" M Flush Face Quick Coupling x #12 F O-Ring (ISO 16028)
		P002585	O-Ring - #12 Buna (4000-12)
33	1	P002813	Cap - Hyd - 1/2" M Flush Face Quick Coupler Dust (ISO 16028)
34	1	P002814	Cap - Hyd - 3/4" M Flush Face Quick Coupler Dust (ISO 16028)
35	1	P002826	Cap - Hyd - 3/8" M Flush Face Quick Coupler Dust (ISO 16028)

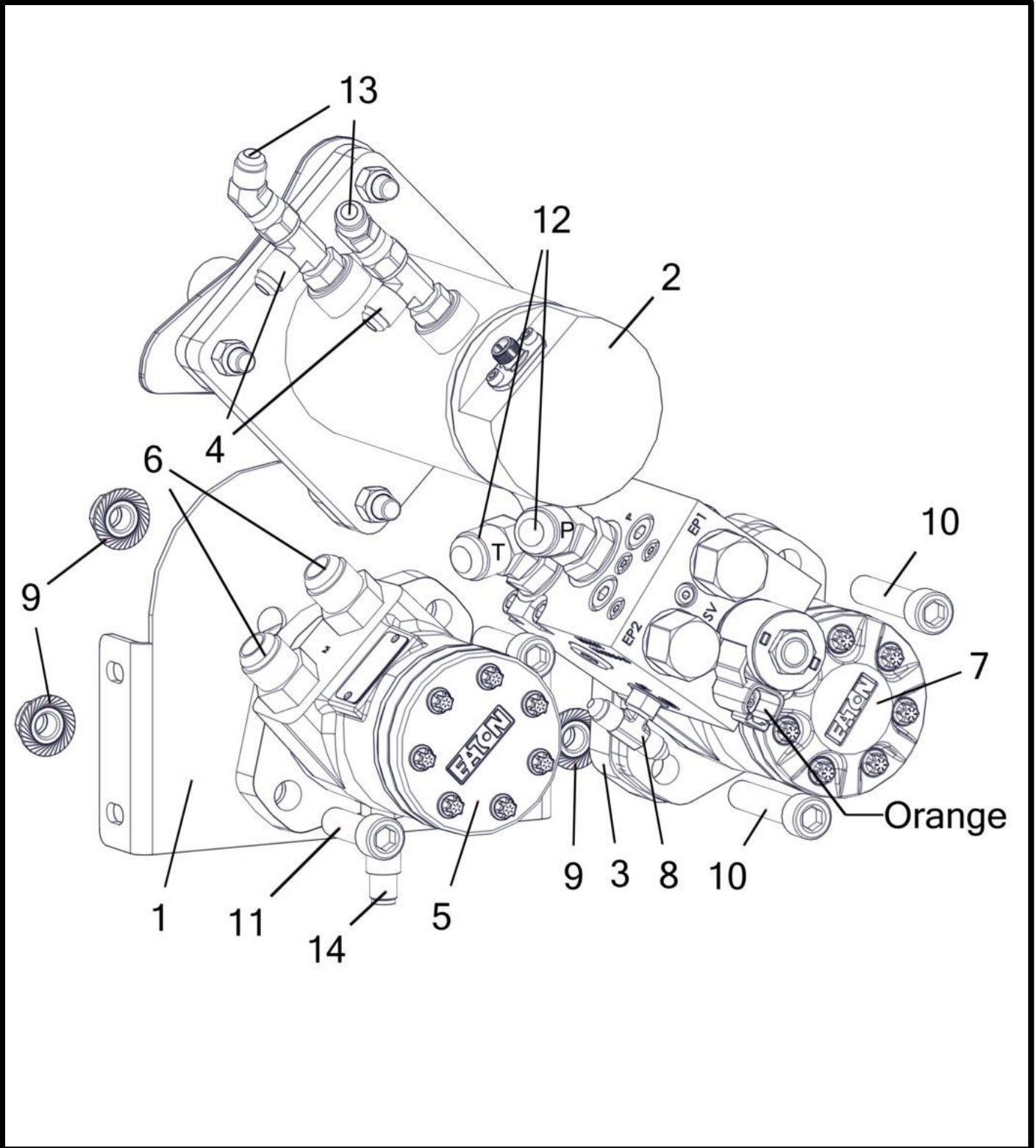
3 Section Motors and Slide Gate Cylinders - Tank 1 Fan End - Left Side Facing



3 Section Motors and Slide Gate Cylinders - Tank 1 Fan End - Left Side Facing

Item No.	Qty	Part Number	Description
1	1	A002155	Bracket Assembly- Encoder Motor Mounting
2	1	A002235__	Cylinder - Slidegate Sub-Assembly 12 Row
3	1	M002604__	Plate - Motor Spacer (3/4")
4	1	P000828	Motor - Hyd. 4.5 CU/IN Char-Lynn w/ Speed Sensor (101-3525-009)
5	1	P000881	Motor - Hyd. 4.5 CU/IN Char-Lynn Single Poppet Valve (CW) (MA2783-15)
6	1	P000917	Fitting - Hyd - #4 M O-Ring x #4 M JIC Elbow 90
		<i>P002581</i>	<i>O-Ring - #4 Buna (4000-04)</i>
7	4	P002226	Nut - 1/2-13 Flange Nylon Lock (18-8 S/S FB)
8	2	P002235	Bolt - 1/2-13 x 2.25 x 1.25 Socket Head (F593 304 S/S FB)
9	2	P002237	Bolt - 1/2-13 x 1.5 x 1.25 Socket Head (F593 304 S/S FB)
10	2	P002432	Fitting - Hyd - #6 M O-Ring x #6 M JIC Elbow 45
		<i>P002582</i>	<i>O-Ring - #6 Buna (4000-06)</i>
11	4	P002613	Fitting - Hyd - #10 M O-ring x #10 M JIC Elbow 45
		<i>P002584</i>	<i>O-Ring - #10 Buna (4000-10)</i>
12	1	P000926	Sensor - Char-Lynn Motor Speed Sensor (60 Pulse)

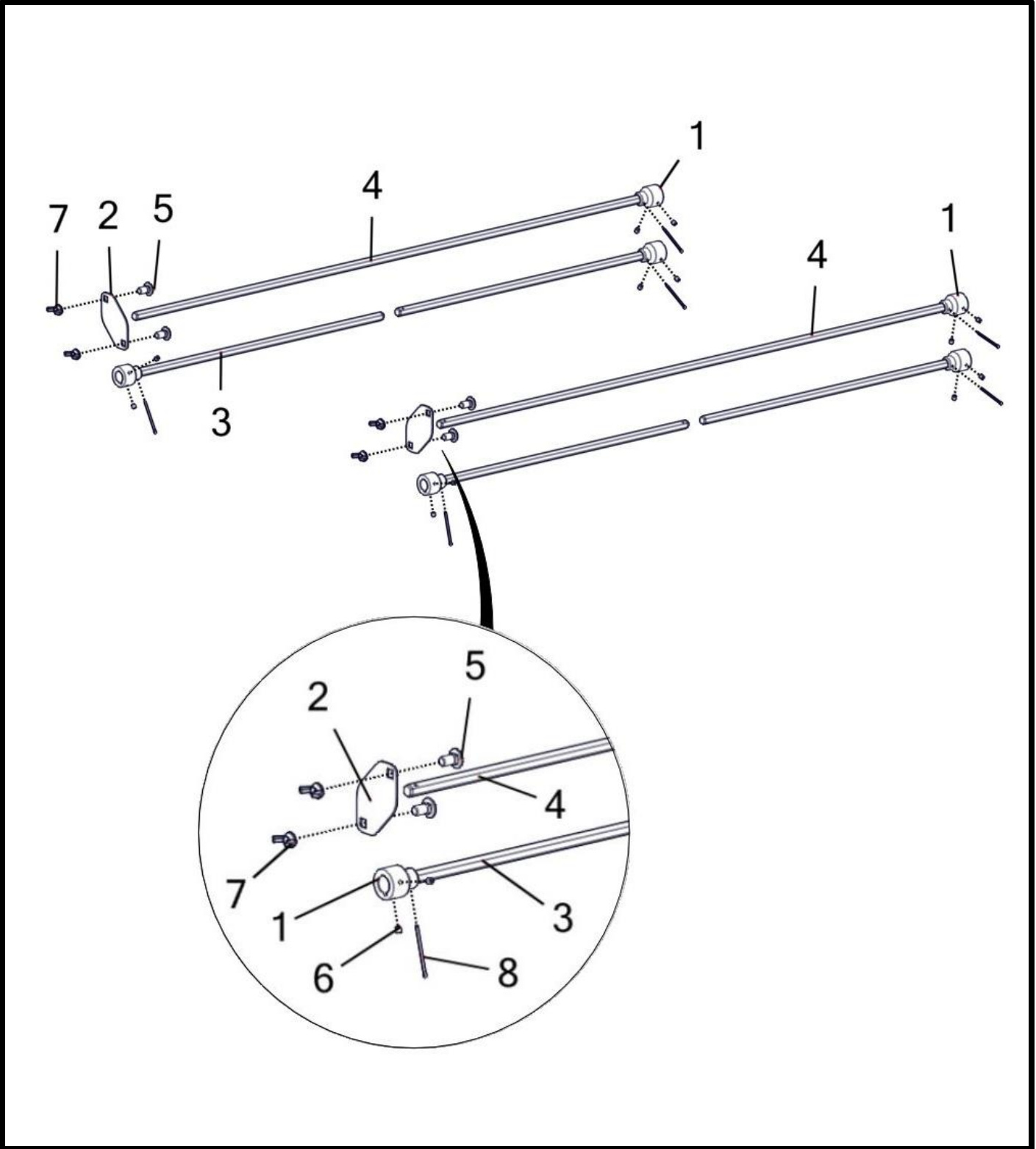
3 Section Motors and Slide Gate Cylinders - Tank 2 Fan End - Right Side Facing



3 Section Motors and Slide Gate Cylinders - Tank 2 Fan End - Right Side Facing

Item No.	Qty	Part Number	Description
1	1	A002155	Bracket Assembly- Encoder Motor Mounting
2	1	A002235__	Cylinder - Slidegate Sub-Assembly 12 Row
3	1	M002604__	Plate - Motor Spacer (3/4")
4	2	P000389	Fitting - Hyd - 1&3=#6 M JIC, 2=#6 M O-Ring Tee (6804-06-06-06)
		<i>P002582</i>	<i>O-Ring - #6 Buna (4000-06)</i>
5	1	P000828	Motor - Hyd. 4.5 CU/IN Char-Lynn w/ Speed Sensor (101-3525-009)
6	2	P000836	Fitting - Hyd - #10 M O-Ring x #10 M JIC Straight
		<i>P002584</i>	<i>O-Ring - #10 Buna (4000-10)</i>
7	1	P000882	Motor - Hyd. 4.5 CU/IN Char-Lynn Single Poppet Valve (CCW) (MA2784-15)
8	1	P000918	Fitting - Hyd - 1&2=#4 M JIC, 3=#4 M O-Ring Tee
		<i>P002581</i>	<i>O-Ring - #4 Buna (4000-04)</i>
9	4	P002226	Nut - 1/2-13 Flange Nylon Lock (18-8 S/S FB)
10	2	P002235	Bolt - 1/2-13 x 2.25 x 1.25 Socket Head (F593 304 S/S FB)
11	2	P002237	Bolt - 1/2-13 x 1.5 x 1.25 Socket Head (F593 304 S/S FB)
12	2	P002613	Fitting - Hyd - #10 M O-ring x #10 M JIC Elbow 45
		<i>P002584</i>	<i>O-Ring - #10 Buna (4000-10)</i>
13	2	P002668	Fitting - Hyd - #6 M JIC x #6 F JIC Swivel Elbow 45
14	1	P000926	Sensor - Char-Lynn Motor Speed Sensor (60 Pulse)

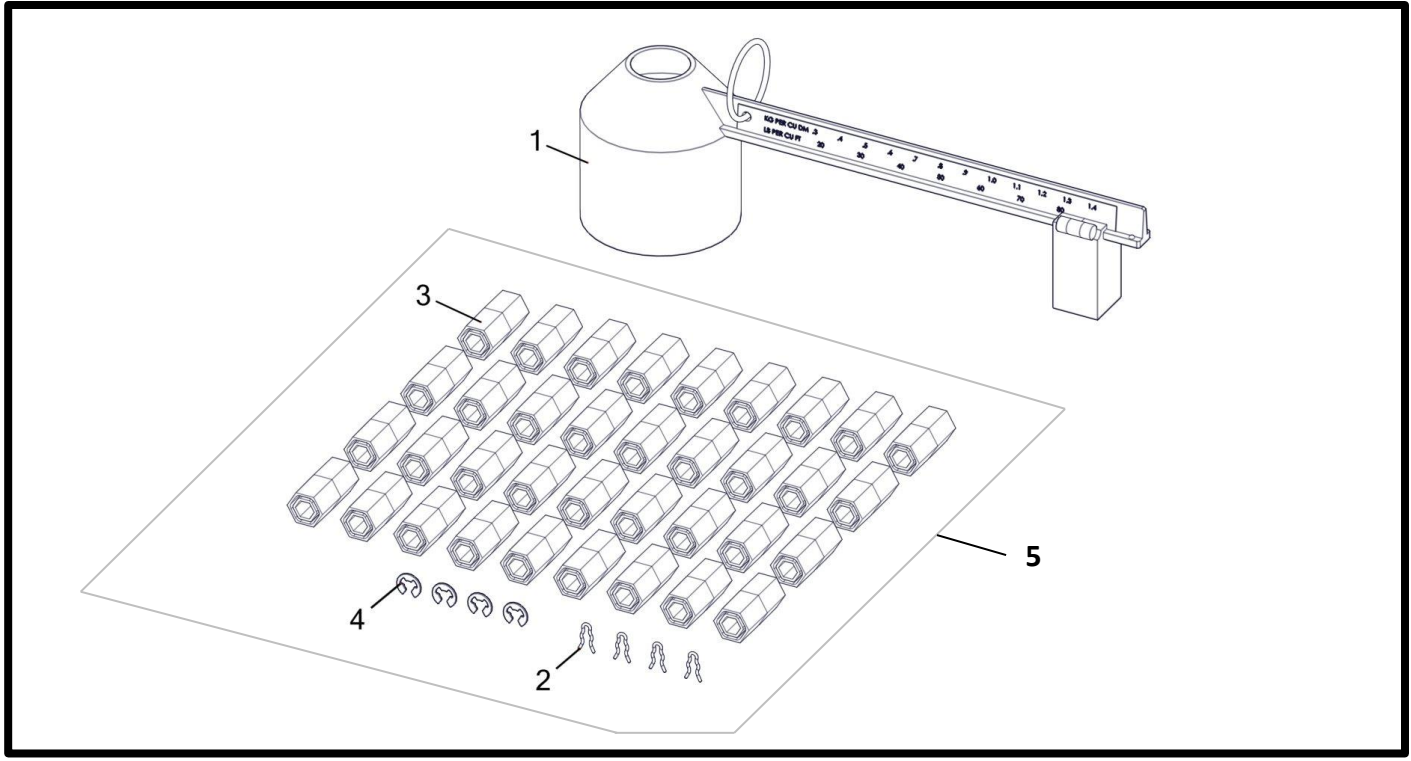
Three Section Drive Shafts And Couplers



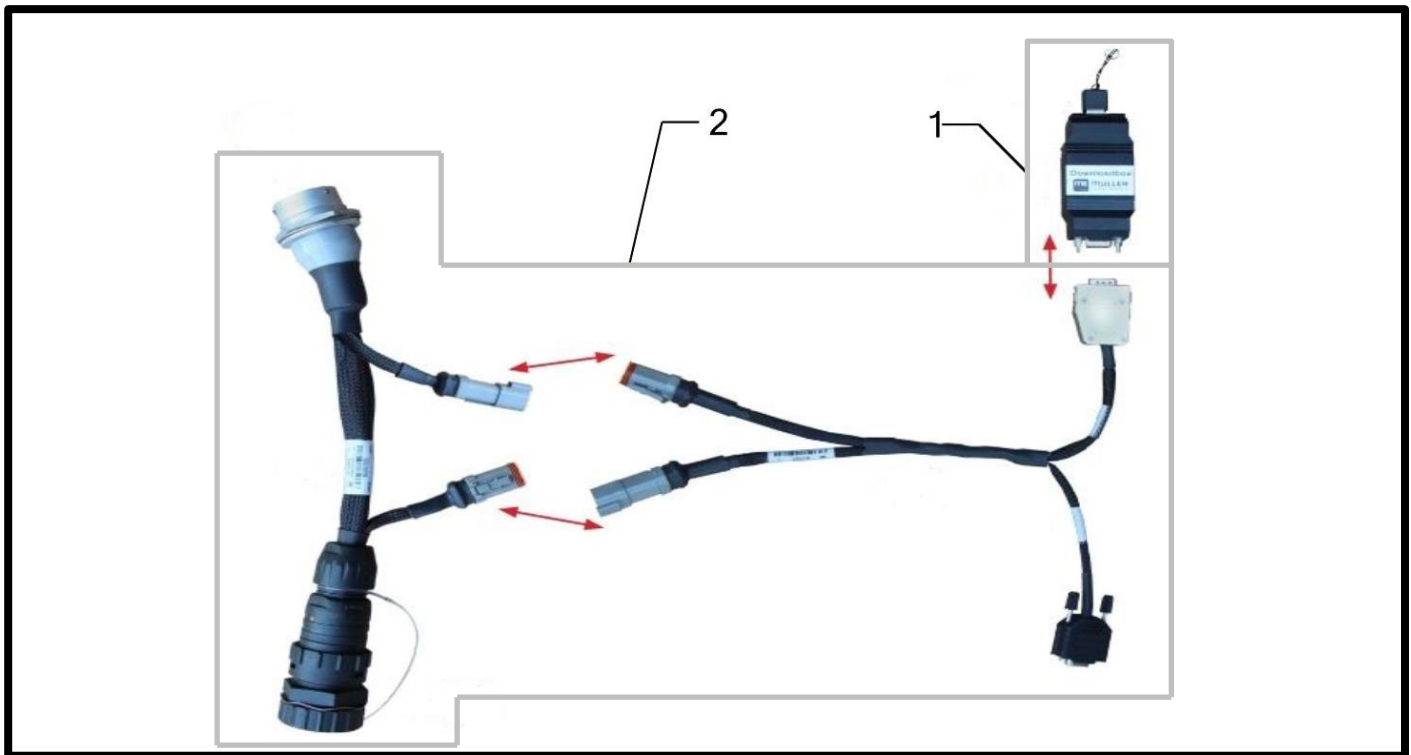
Three Section Drive Shafts And Couplers

Item No.	Qty	Part Number	Description
1	6	M002152	Coupler - 1" Round w/ Keyway to 5/8" Hex Shaft
2	2	M002272	Plate - Gear Box Drive Shaft Cover Shield
3	4	M002872	Shaft - Gen II 2212 5/8" Short Drive
4	2	M003377	Shaft - Gen II 2212 5/8" Long Drive
5	4	P000638	Bolt - 1/2-13 x 1 x 1 Carriage (F593 304 S/S FB)
6	12	P000785	Set Screw - 5/16-18 x 5/16" UNC
7	4	P000911	Nut - 1/2-13 UNC Wing (Nylon)
8	6	P002013	Cotter Pin - 1/8" x 2.64" (S/S)

Miscellaneous Components Kit



Kit - ECU Diagnostic ISOBUS Download (ME0901000)



Miscellaneous Components Kit

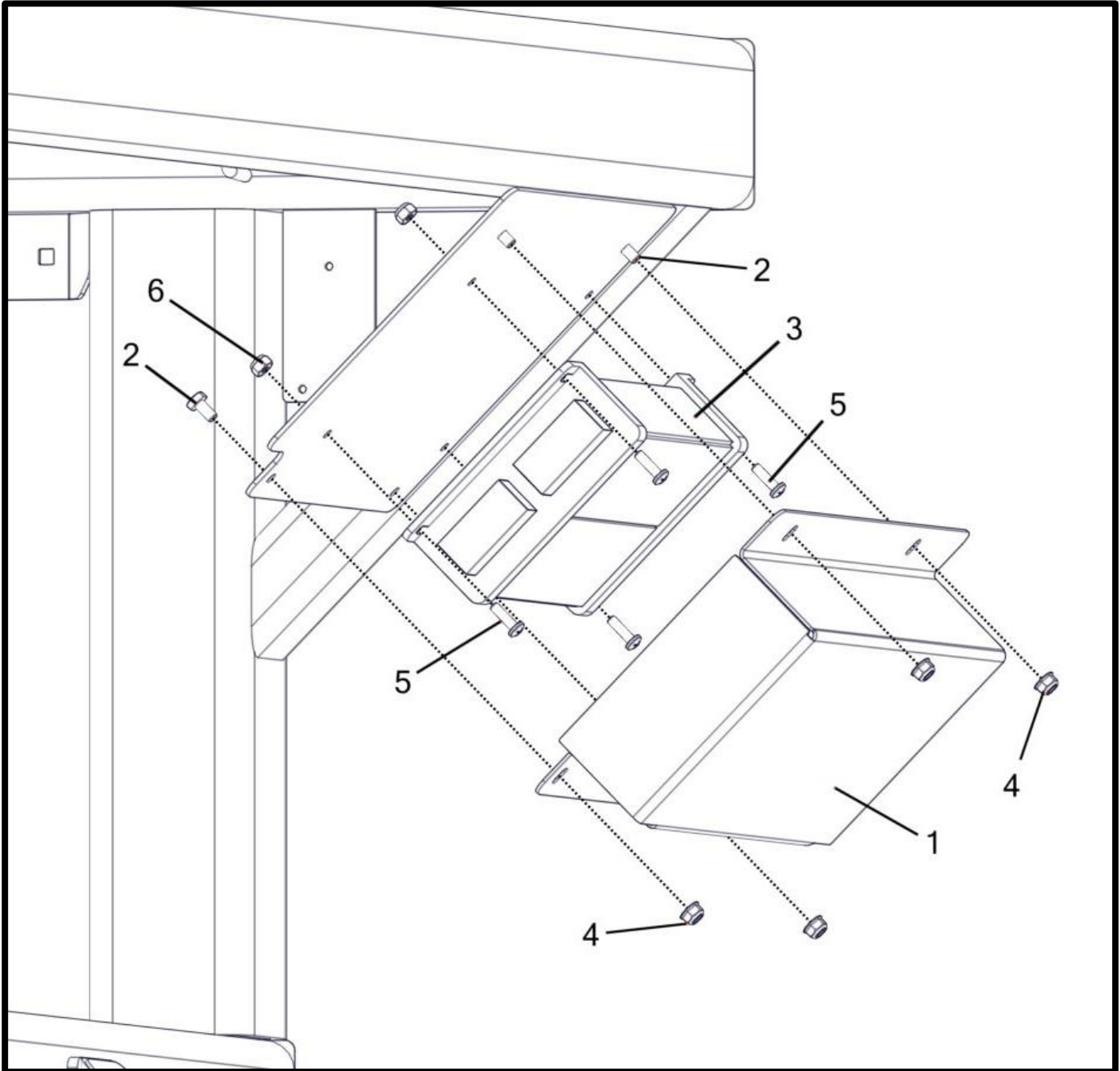
Item No.	Qty	Part Number	Description
		K002141	Kit - Gen II Complete Misc.
1	1	P000428	Scale - Fertilizer Density (Montag Logo)
2	4	P002009	Retaining Clip - 3/8" x 5/16" x 1" *
3	36	P002033	Coupler - 7/8" to 7/16" Shear Hex *
4	4	P002215	Retainer - 3/8" E-Clip *
5	1	K002017	Kit - Gen II Shear Coupler Starter Pack

Kit - ECU Diagnostic ISOBUS Download (ME0901000)

Item No.	Qty	Part Number	Description
		K002012*	Kit - ECU Diagnostic ISOBUS Download (ME0901000)
1	1	P002352	Kit - ECU Download Tool (ME3032259206)
2	1	P002354	Harness - ECU IBIC ISO Download Tee (ME0501005)

(*) Software available from Montag support

ECU And Cover

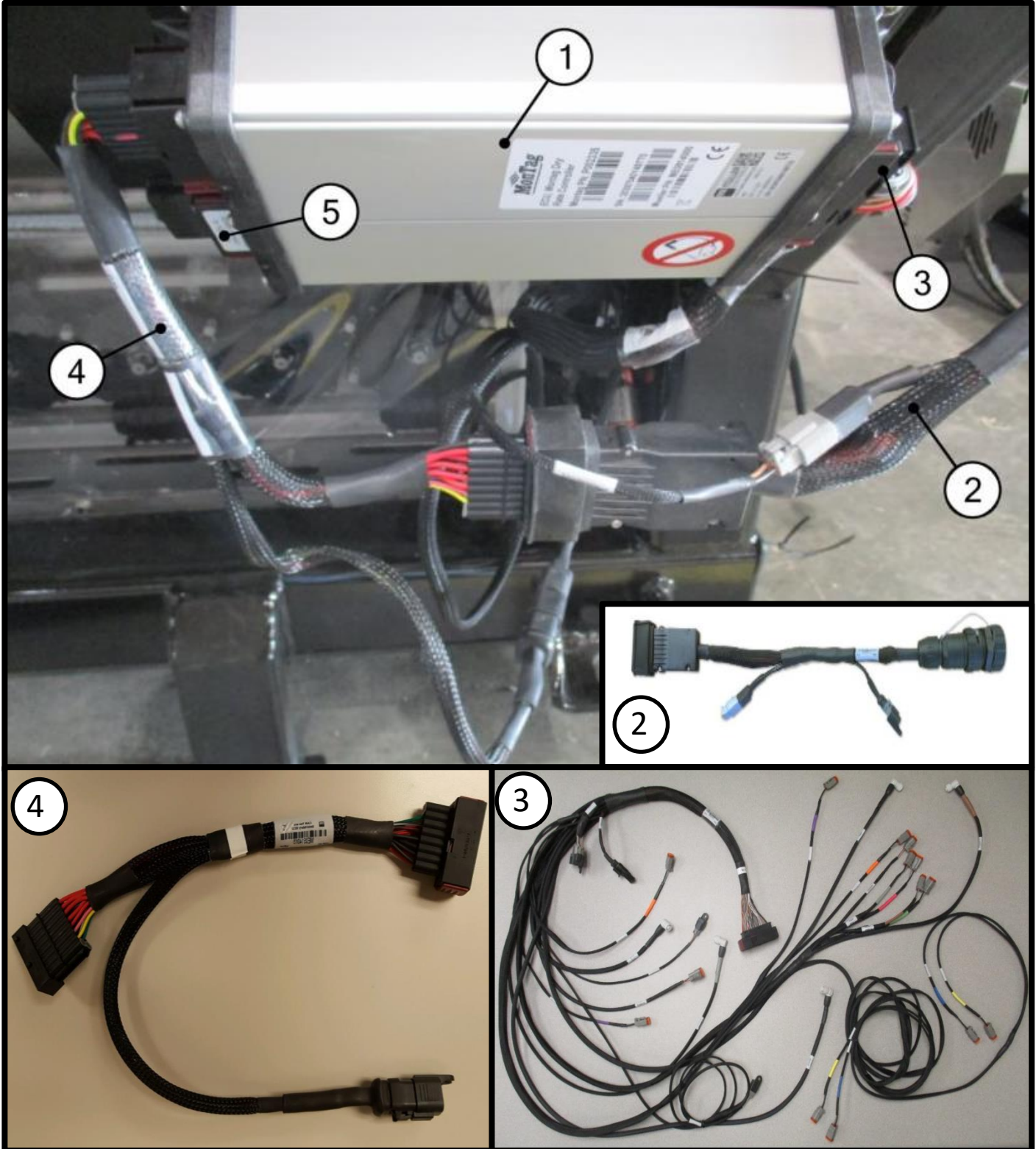


ECU And Cover

Item No.	Qty	Part Number	Description
1	1	M002864__	Shield - Montag ECU Cover
2	4	P000614	Bolt - 1/4-20 x 0.5 x 0.5 Hex (GR 5 M/S FA) *
3	1	P002335	ECU - Montag Dry Rate Controller Gen II (ME0814000)
4	4	P002465	Nut - 1/4-20 Flange Nylon Lock (GR 5 M/S FA) *
5	4	P002492	Screw - #12-24 x 0.75 Machine Pan Head Phillips (18-8 S/S FB) *
6	4	P002493	Nut - #12-24 Hex Nylon Lock (18-8 S/S FB) *

(*) Included In K002105 - Kit - ECU and Cover Mount Hardware

ECU And Harnesses

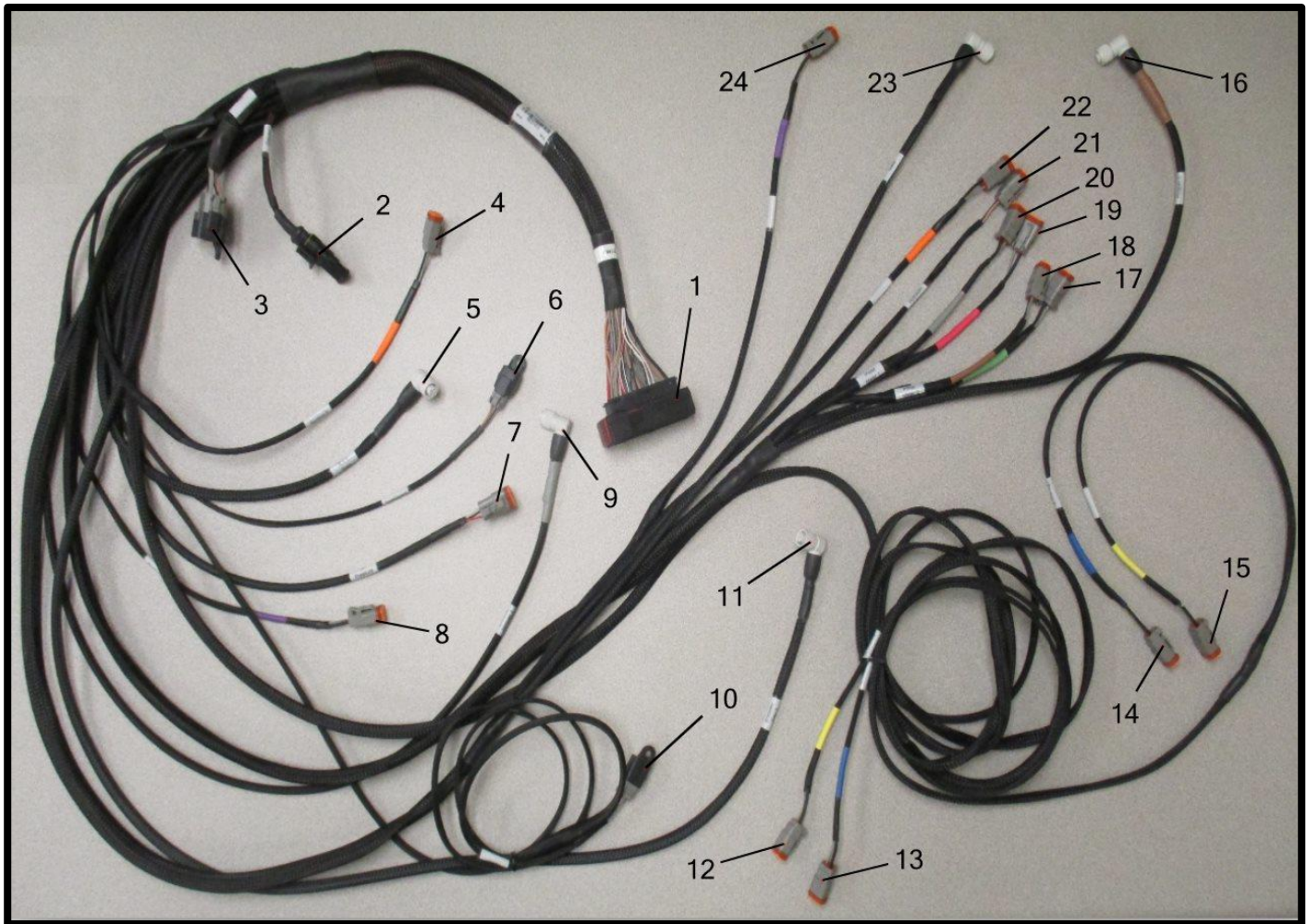


ECU And Harnesses

Item No.	Qty	Part Number	Description
1	1	P002335	ECU - Montag Dry Rate Controller Gen II (ME0814000)
2	1	P002410	Harness - ISOBUS to ECU Cable (13') (ME0502001-13)
3	1	P002633	Harness - STS Dry Rate Controller Component (ME0514015)
4	1	P002683	Harness - Digi-Star ISO Connection Tee (ME0514013)
5	1	P002850	Plug - ECU Blank Connector

ADDITIONAL ELECTRICAL REFERENCE INFORMATION

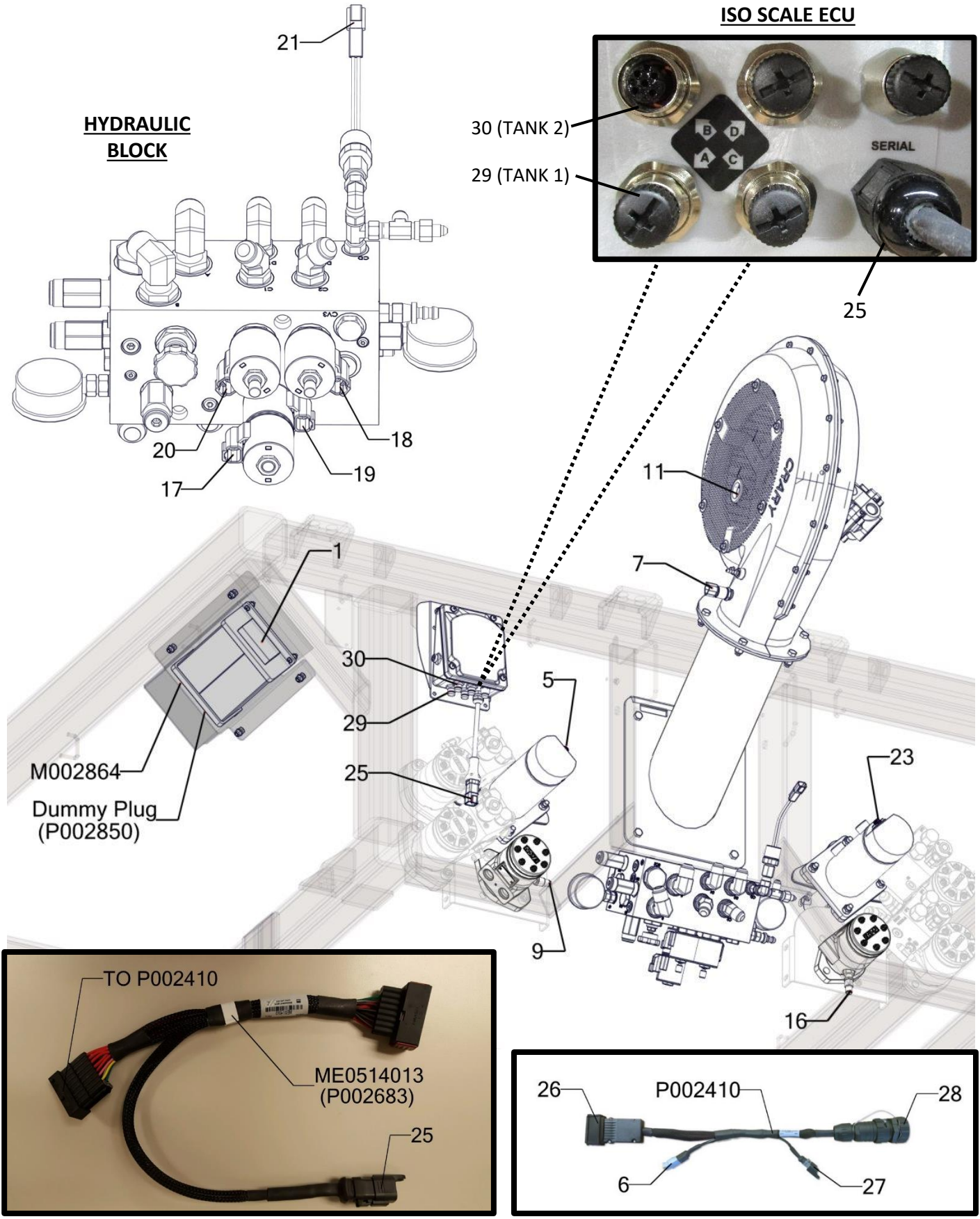
**P002633 - Harness - STS Dry Rate Controller Component
(ME0514015)**



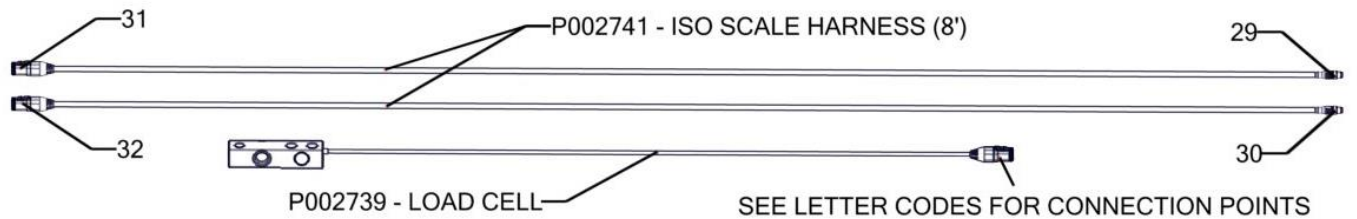
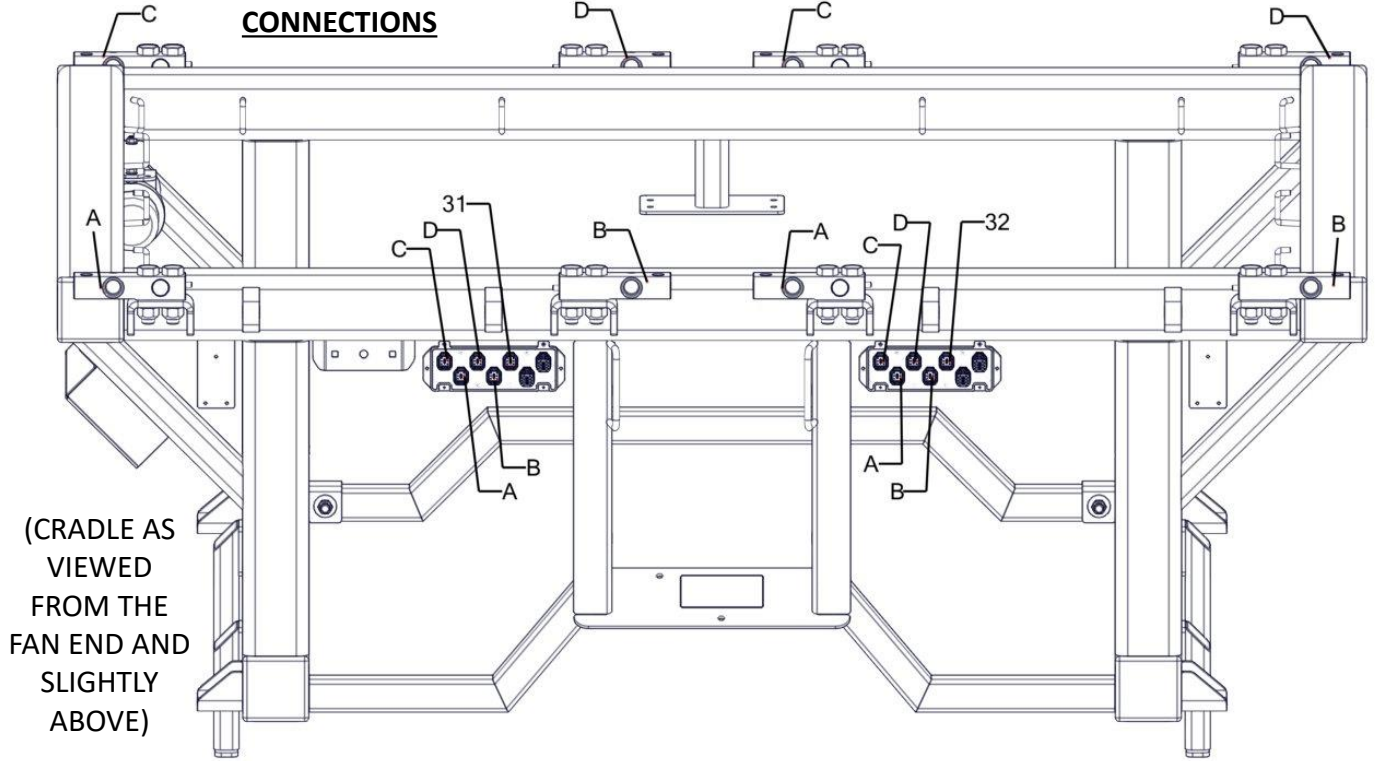
Item No.	Description	Connecting Part
1	42 Pin ECU Connector	ECU
2	Ground Speed (Capped)	N/A
3	Auxiliary (Capped)	N/A
4	Section Y (Orange) Bin 1	Motor
5	Gate Sensor 1 (Gray)	Slide Gate Cylinder (1)
6	Lift Switch / Extension	ISO Ext. Harness
7	Fan Pressure Sensor	Fan Pressure Sensor
8	Section Z (Purple) Bin 1	Motor
9	Encoder 1 (Gray)	Speed Sensor (1)
10	Fan PWM 1	Solution Pump PWM *
11	Encoder Fan 1	Fan Speed Sensor
12	Section W (Yellow) Bin 2	Motor
13	Section X (Blue) Bin 2	Motor
14	Section X (Blue) Bin 1	Motor
15	Section W (Yellow) Bin 1	Motor
16	Encoder 2 (Brown)	Speed Sensor (2)

Item No.	Description	Connecting Part
17	Open Gate (Green)	Hydraulic Manifold
18	SP2 (Brown)	Hydraulic Manifold
19	Close Gate (Red)	Hydraulic Manifold
20	SP1 (Gray)	Hydraulic Manifold
21	Case Drain Alarm	Pressure Sensor
22	Section Y (Orange) Bin 2	Motor
23	Gate Sensor 2 (Brown)	Slide Gate Cylinder (2)
24	Section Z (Purple) Bin 2	Motor
25	Scale/CAN	ISO Scale Ext.
26	ISO Input Connection	ISO Ext. Harness
27	Remote (Foot Switch)	Foot Switch/ Ext.
28	ISO Tractor / ISO Extension	Tractor
29	Scale ECU Tank 1 Harness	Scale ECU (31)
30	Scale ECU Tank 2 Harness	Scale ECU (32)
31	Scale Extension Tank 1 Harness	J-Block 1 (29)
32	Scale Extension Tank2 Harness	J-Block 2 (30)

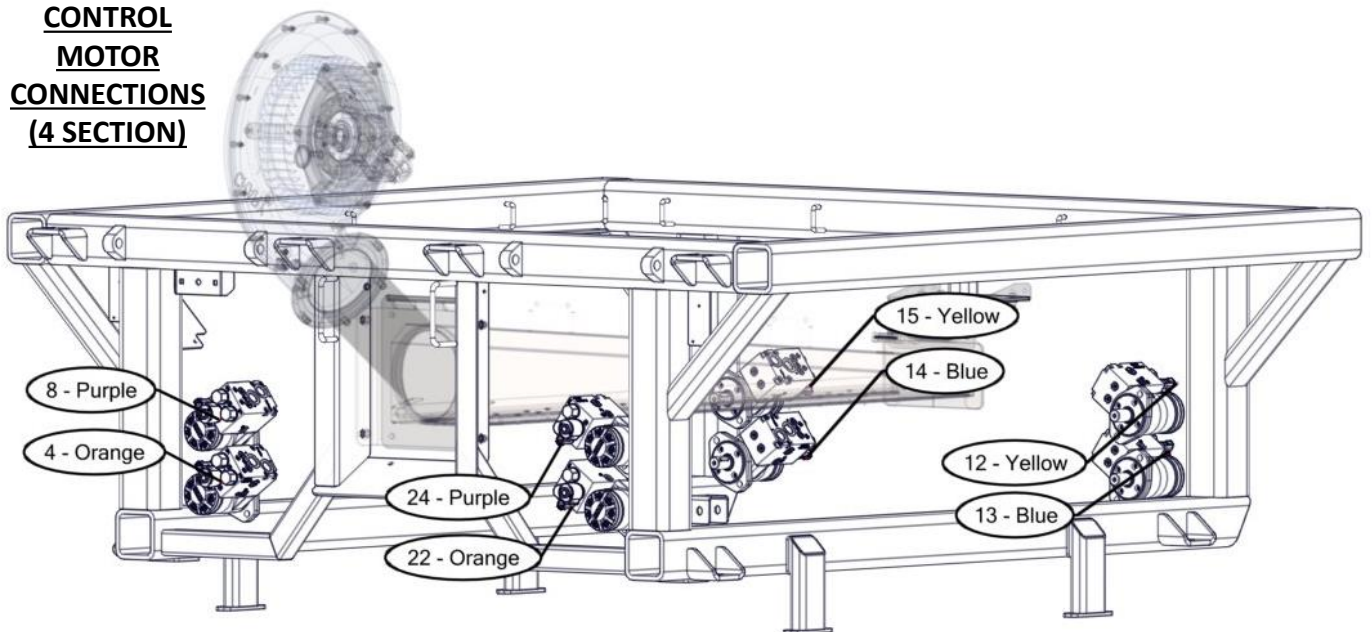
* Located On Hagie STS



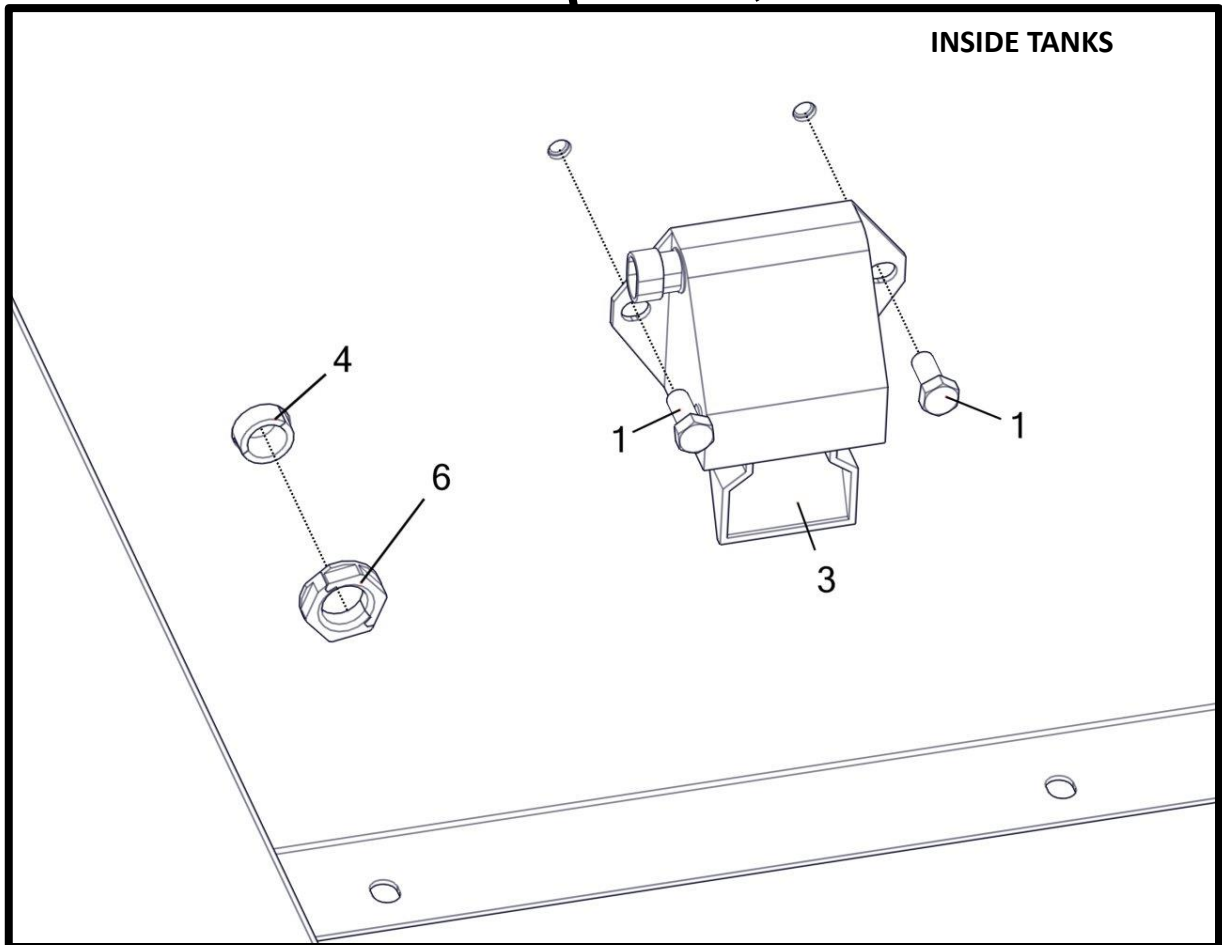
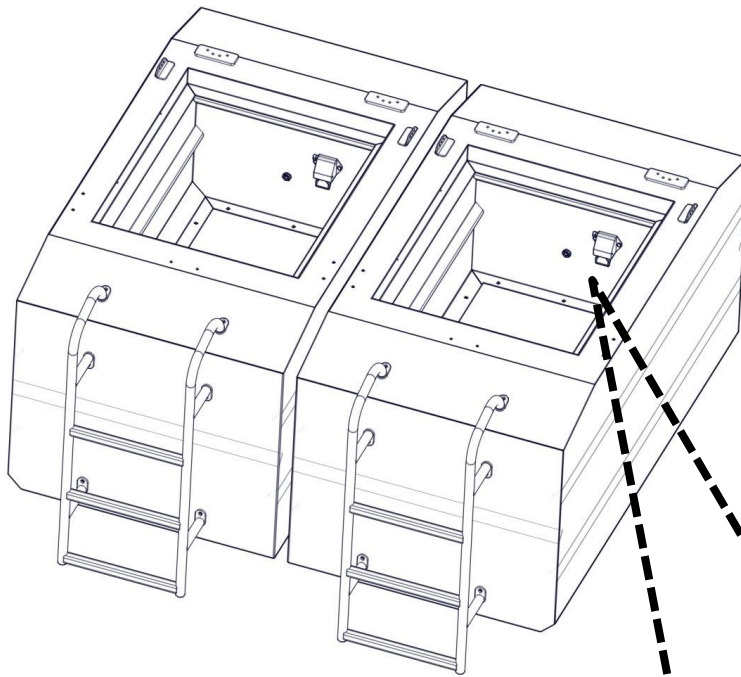
LOAD CELL CONNECTIONS



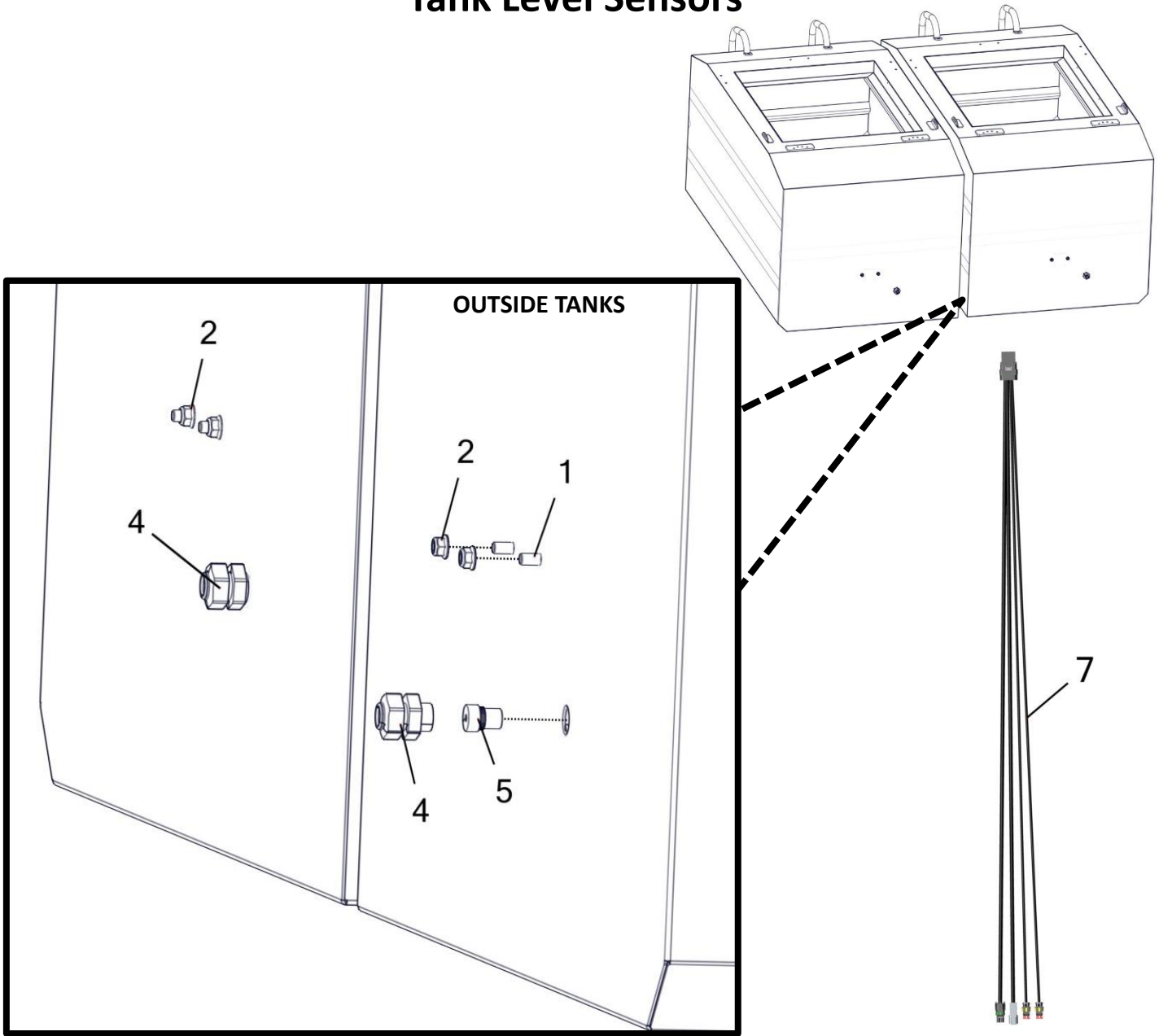
SECTION CONTROL MOTOR CONNECTIONS (4 SECTION)



Tank Level Sensors

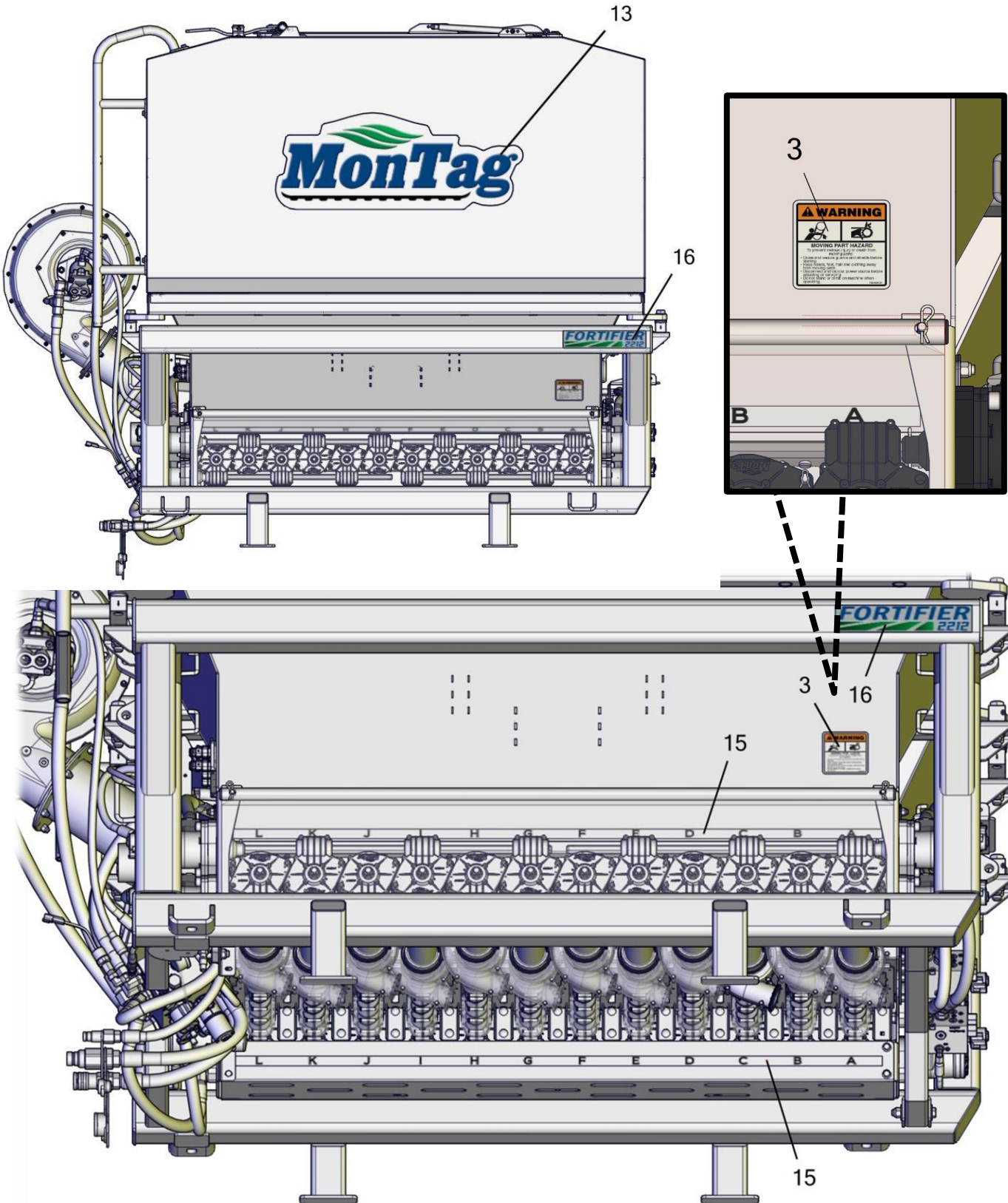


Tank Level Sensors



Item No.	Qty	Part Number	Description
1	4	P000093	Bolt - 5/16-18 x 0.75 x 0.75 Hex (F593 304 S/S FB)
2	4	P002224	Nut - 5/16-18 Flange Nylon Lock (18-8 S/S FB)
3	2	P002992	Sensor - Bulk Product Tank Level (N/O) 119000DB
4	2	P003034	Gland - Splittable Cable Connector (103568)
5	2	P003035	Insert - Sealing M20 53p8 (103574)
6	2	P003036	Nut - Splittable Connector Lock M20X1.5 - 1420/220 (103570)
7	1	P002995	Harness - Montag/STS Level Sensor Relay

Decals

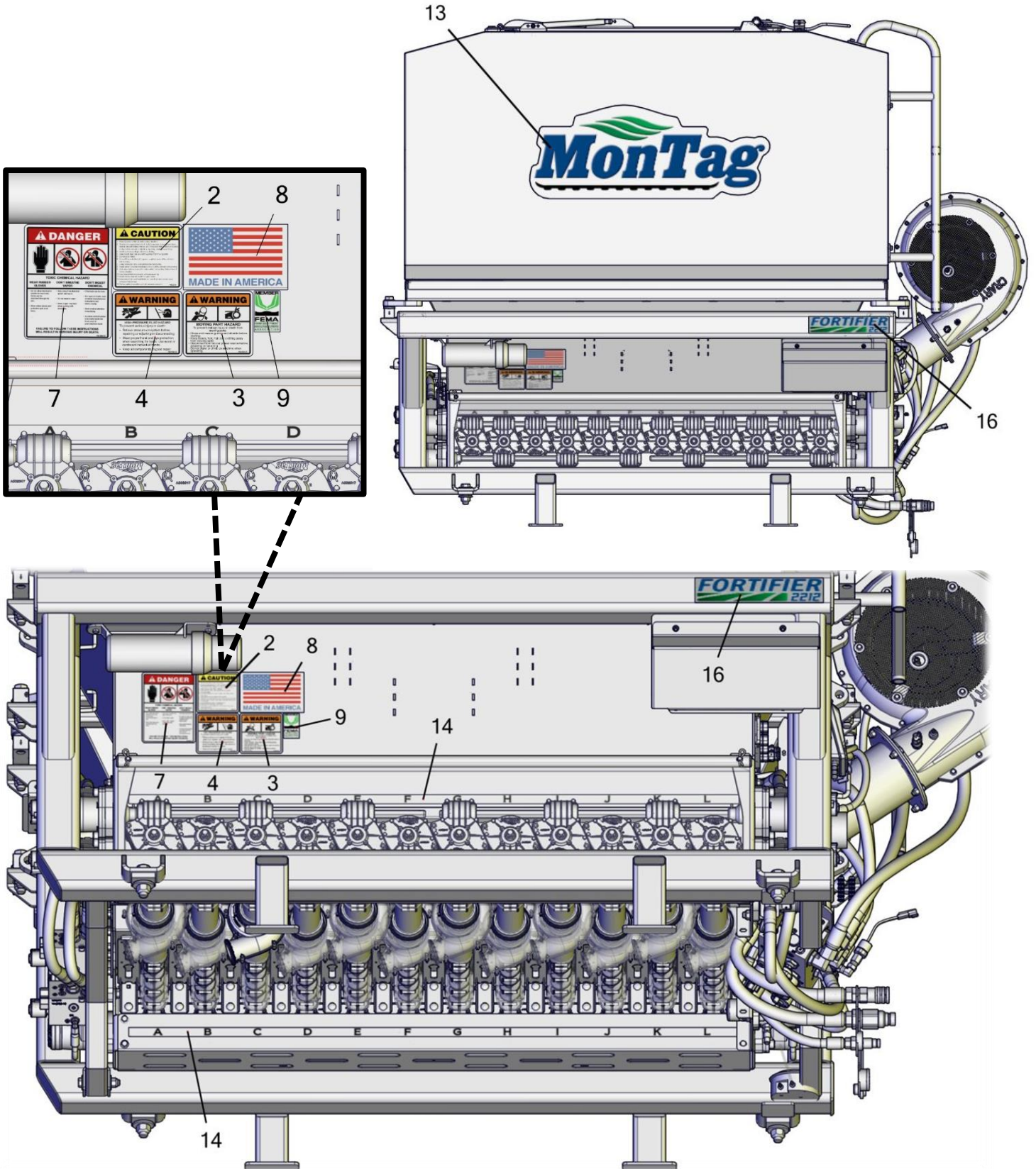


Decals

Item No.	Qty	Part Number	Description
1	2	P000188	Decal - Auger Danger *
2	1	P000190	Decal - Read the Manual *
3	2	P000191	Decal - Moving Parts Danger *
4	1	P000192	Decal - High Pressure Danger *
5	2	P000193	Decal - Ag Chemical Danger *
6	2	P000194	Decal - Crushing Hazard *
7	1	P000195	Decal - Chemical Hazard *
8	1	P000201	Decal - USA Flag *
9	1	P000273	Decal - Fema
10	2	P001995	Decal - Do Not Ride (A91843) *
11	2	P002361	Decal - Tank Number One
12	2	P002362	Decal - Tank Number Two
13	2	P002470	Decal - 2010 Logo (36" Long) Anti-Bubble
14	2	P002481	Decal - Tank Row Label (A-L) (12 Row)
15	2	P002482	Decal - Tank Row Label (L-A) (12 Row)
16	2	P002959	Decal - Fortifier 2212 Flowing Field Logo

(*) Included In K002062 - Kit - Gen II Safety Decals

Decals

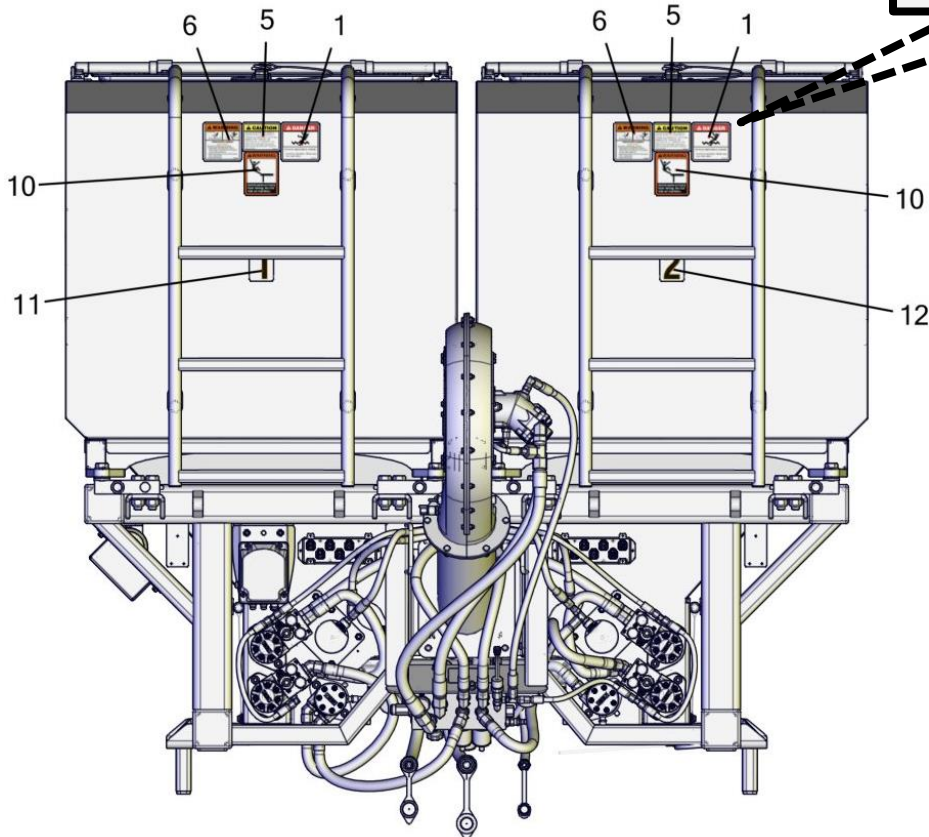
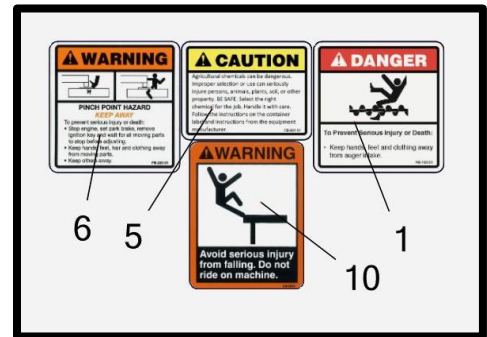
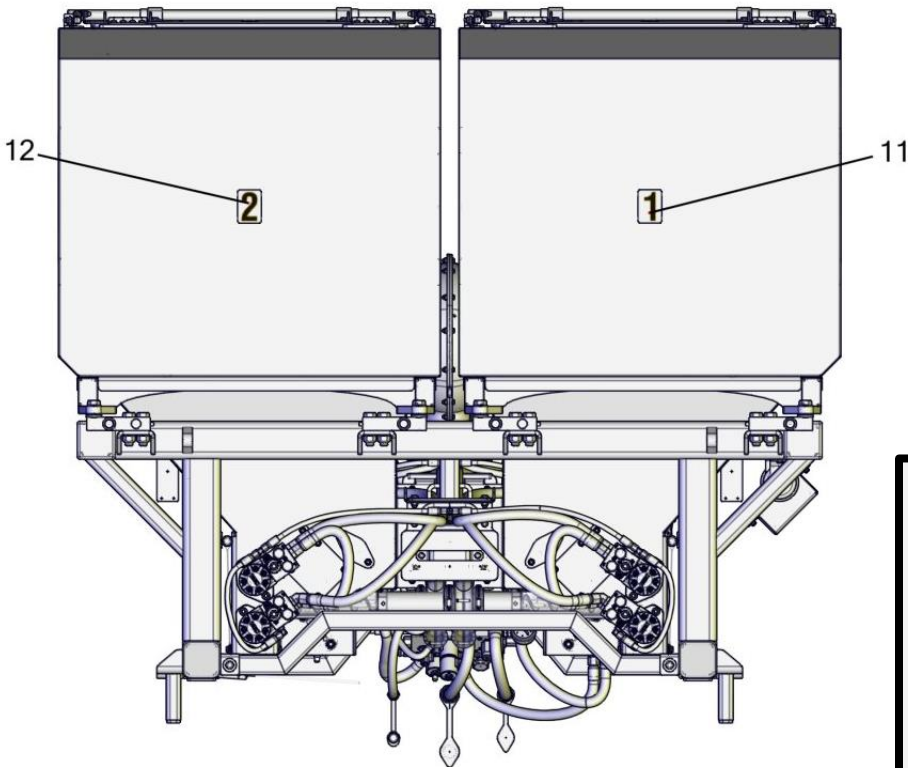


Decals

Item No.	Qty	Part Number	Description
1	2	P000188	Decal - Auger Danger *
2	1	P000190	Decal - Read the Manual *
3	2	P000191	Decal - Moving Parts Danger *
4	1	P000192	Decal - High Pressure Danger *
5	2	P000193	Decal - Ag Chemical Danger *
6	2	P000194	Decal - Crushing Hazard *
7	1	P000195	Decal - Chemical Hazard *
8	1	P000201	Decal - USA Flag *
9	1	P000273	Decal - Fema
10	2	P001995	Decal - Do Not Ride (A91843) *
11	2	P002361	Decal - Tank Number One
12	2	P002362	Decal - Tank Number Two
13	2	P002470	Decal - 2010 Logo (36" Long) Anti-Bubble
14	2	P002481	Decal - Tank Row Label (A-L) (12 Row)
15	2	P002482	Decal - Tank Row Label (L-A) (12 Row)
16	2	P002959	Decal - Fortifier 2212 Flowing Field Logo

(*) Included In K002062 - Kit - Gen II Safety Decals

Decals



Decals

Item No.	Qty	Part Number	Description
1	2	P000188	Decal - Auger Danger *
2	1	P000190	Decal - Read the Manual *
3	2	P000191	Decal - Moving Parts Danger *
4	1	P000192	Decal - High Pressure Danger *
5	2	P000193	Decal - Ag Chemical Danger *
6	2	P000194	Decal - Crushing Hazard *
7	1	P000195	Decal - Chemical Hazard *
8	1	P000201	Decal - USA Flag *
9	1	P000273	Decal - Fema
10	2	P001995	Decal - Do Not Ride (A91843) *
11	2	P002361	Decal - Tank Number One
12	2	P002362	Decal - Tank Number Two
13	2	P002470	Decal - 2010 Logo (36" Long) Anti-Bubble
14	2	P002481	Decal - Tank Row Label (A-L) (12 Row)
15	2	P002482	Decal - Tank Row Label (L-A) (12 Row)
16	2	P002959	Decal - Fortifier 2212 Flowing Field Logo

(*) Included In K002062 - Kit - Gen II Safety Decals

NOTES

NOTES



**Montag Manufacturing, Inc.
3816 461st Avenue
Emmetsburg, IA 50536
Phone: (712) 852-4572
FAX: (712) 852-4574**

**Tech Support: (712) 852-4572
or
support@montagmfg.com**

**Visit us at:
www.montagmfg.com**