



MONTAG MFG.

GEN II 2016

SERIAL NUMBERS 20525-20622 (LESS 20571)

PARTS MANUAL





Table of Contents

GEN II 2016	
A002132 – ASSEMBLIES AND WELDMENTS OVERVIEW.....	05
Top Level Hardware.....	06
Front Accessories.....	07
Slide Gate Cylinder and Accessory Mounting.....	08
Slide Gate Cylinder Extension Assembly.....	09
Load Cell Area.....	10
Load Cell Cable Connections.....	11
Fan and Plenum Area.....	12
Rear Plenum Area.....	13
Plenum Assembly.....	14
Fan / Transition.....	15
Air Hose Manifolds.....	16
Rear Hose Manifold Assembly.....	17
Front Hose Manifold Assembly.....	18
Hydraulic Manifold.....	19
Wash Tank and Manual Holder.....	20
TANKS AND TROUGHS	
Front Platform Stop Rail.....	21
Tank Lid Area.....	22
Bottom Lid.....	23
Top Lid – Hinge Area.....	24
Top Lid – Latch Area (Top).....	25
Top Lid – Latch Area (Bottom).....	26
Left Side (From Rear of Machine) Tank / Trough Assembly.....	27
Tank.....	28
Trough – Shield and Bracket.....	29
Trough – Drive End Covers.....	30
Trough – Non-Drive End Covers.....	31
Trough – Hanger and Bracket Hardware.....	32
Trough – Trough Support.....	33
Trough – Slide Gate.....	34
Trough – Inside Trough Area.....	35

Table of Contents (continued)

TANKS AND TROUGHS (CONTINUED)

Right Side (From Rear of Machine) Tank / Trough Assembly.....	36
Tank.....	37
Trough – Shield and Bracket.....	38
Trough – Drive End Covers.....	39
Trough – Non-Drive End Covers.....	40
Trough – Hanger and Bracket Hardware.....	41
Trough – Trough Support.....	42
Trough – Slide Gate.....	43
Trough – Inside Trough Area.....	44

PLATFORMS

Platform – Left Mount (From Rear of Machine).....	45
Platform – Railings.....	46
Platform – Deck Mounting.....	47
Platform – Deck.....	48
Platform – Mounting Brackets.....	49
Platform – Right Mount (From Rear of Machine).....	50
Platform – Railings.....	51
Platform – Deck Mounting.....	52
Platform – Deck.....	53
Platform – Mounting Brackets.....	54

ROW KITS OVERVIEW

16 Row Kit Example.....	56
12 Row Kit Example.....	57
Air Hoses and Clamps.....	58
Cartridges and Gear Boxes.....	59
Cartridge – Short.....	60
Cartridge – Long.....	61
Cartridge – Blank.....	62
Air Chambers.....	63
Air Chamber.....	64
Air Chamber Blank.....	65

HYDRAULIC SECTION KITS

1 Section.....	66
Manifold, Motors, and Cylinders.....	67
Hoses – Front View.....	68
Hoses – Top View.....	69

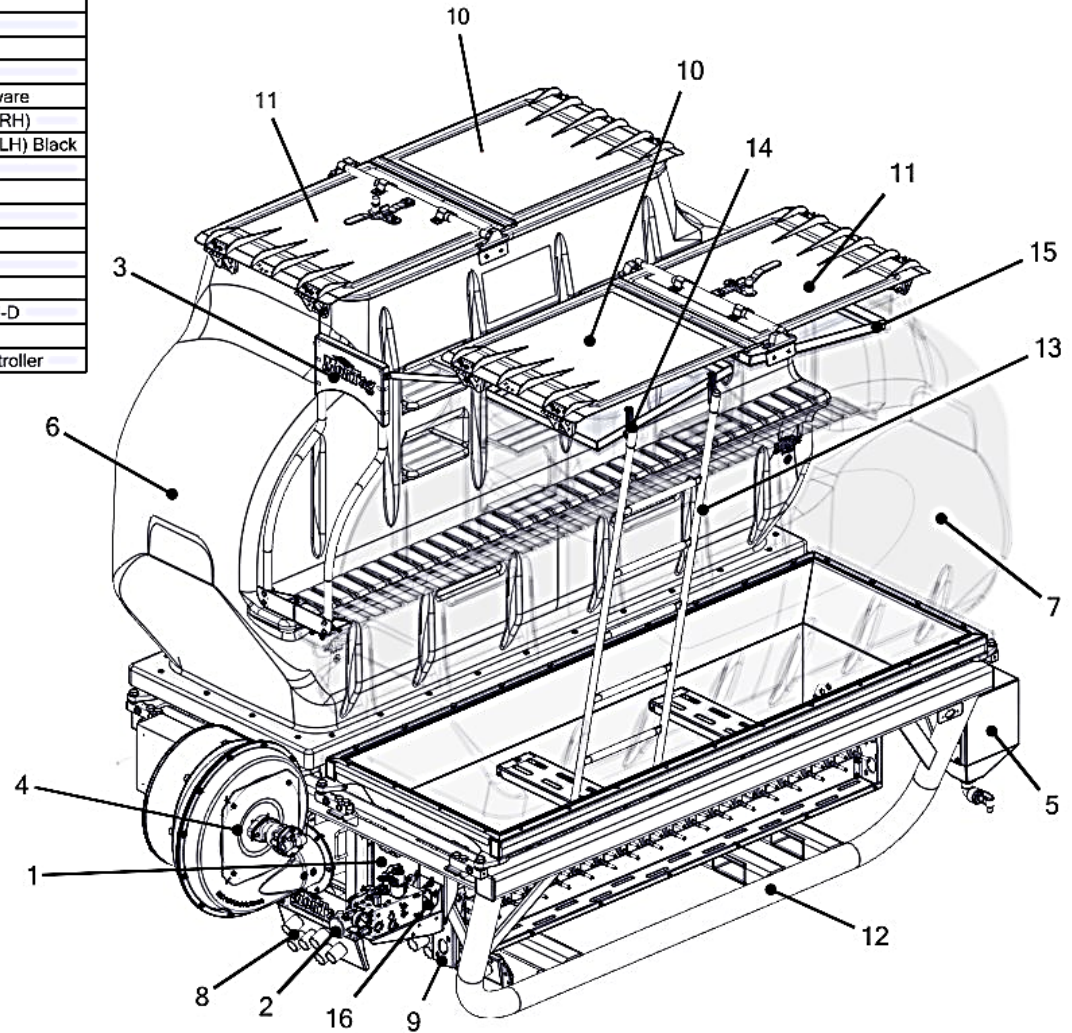
Table of Contents (continued)

HYDRAULIC SECTION KITS (CONTINUED)

2 Section.....	70
Manifold and Motors.....	71
Cylinders and Front Tee.....	72
Hoses – Front View.....	73
Hoses – Top View.....	74
3 Section.....	75
Manifold and Motors (Front).....	76
Cylinders and Front Tee.....	77
Motors and Center Tee (Rear).....	78
Hoses – Front View.....	79
Hoses – Front View(Top).....	80
Hoses – Rear View.....	81
Hoses – Rear View (Top).....	82
4 Section.....	83
Manifold and Motors (Front).....	84
Cylinders and Front Tee.....	85
Motors and Center Tee (Rear).....	86
Hoses – Front View.....	87
Hoses – Front View (Top).....	88
Hoses – Rear View.....	89
Hoses – Rear View (Top).....	90
Speed Sensor.....	91
ELECTRICAL ACCESSORIES	
Dry Rate Controller Parts.....	92
Monitor / Display Parts.....	93
Liquid Rate Controller Parts.....	94
Rate Controller Accessories.....	95
DECALS	
Decal Placement (Front and Left Side).....	96
Decal Placement (Rear and Right Side).....	97

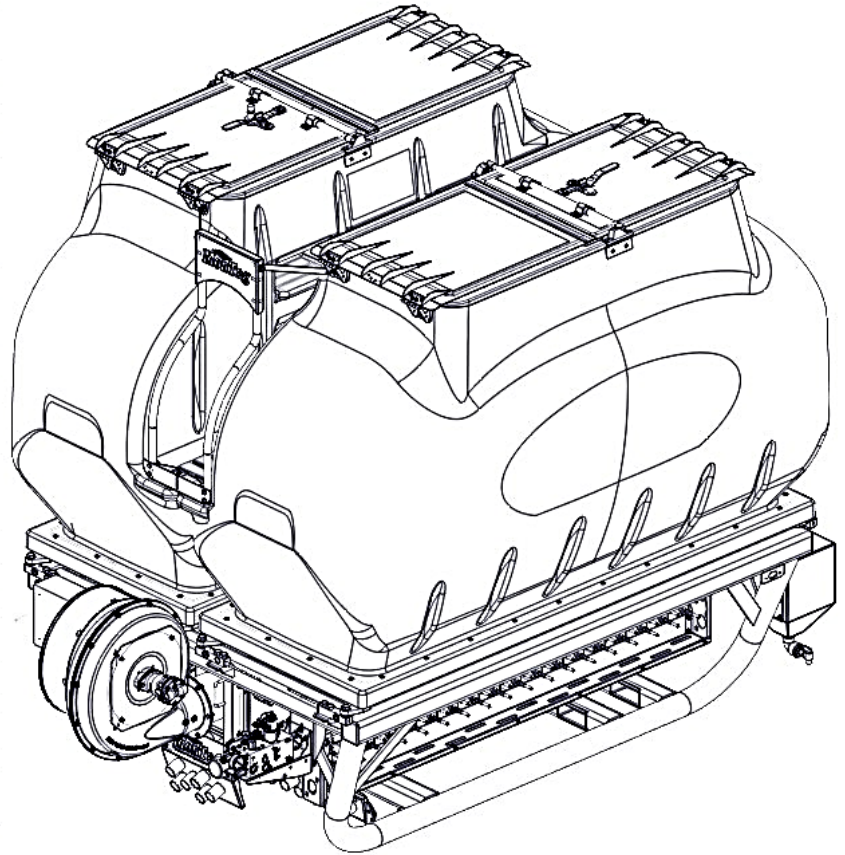
A002132 - ASSEMBLIES AND WELDMENTS

Item No.	Qty.	Part Number	Description
1	1	A002010	Plenum - 18 Row Gen II Assembly
2	2	A002101	Mount - Slide Gate Cylinder Extension
3	1	A002136	Rail- Front Platform Stop W/ Toe Kick
4	1	A002151	Fan / Transistion - Assembly Gen II-D
5	1	A002156	Tank - Rinse Tank w/ Bracket And Hardware
6	1	A002160	Tank Assembly - Gen II-D Tank/Trough (RH)
7	1	A002161	Tank Assembly - Gen II-D Tank/Trough (LH) Black
8	1	A002162	Assembly - Hose Manifold Gen II-D
9	1	A002163	Assembly - Rear Hose Manifold Gen II-D
10	2	A002164	Lid - Poly Tank Bottom Gen II-D
11	2	A002165	Lid - Poly Tank Top Gen II-D
12	1	W002350	Cradle - Gen II-D
13	2	W002359	Ladder - Inside, Gen II Poly Tank
14	4	W002368	Bracket - Inside Tank Ladder Hold Gen II-D
15	4	W002370	Screen - Gen II-D Tank (1/2" C/C)
16	1	W002385	Bracket - Hydraulic Manifold & ECU Controller



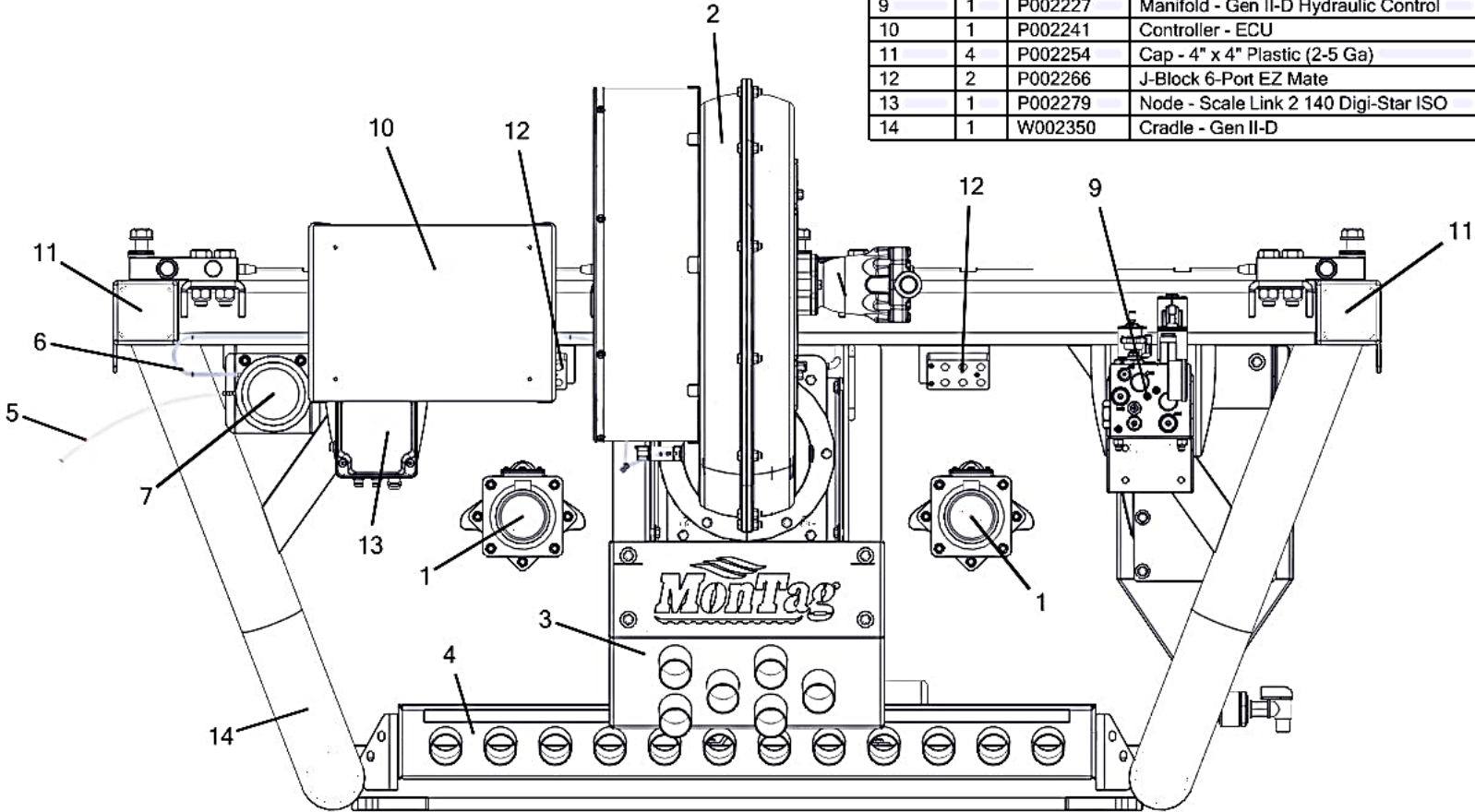
A002132 TOP LEVEL HARDWARE

Item No.	Qty.	Part Number	Description
1	6	P000039FA	Bolt - 3/8-16 x 1 x 1 Hex (GR 5 M/S FA)
2	16	P000047FA	Bolt - 3/4-10 x 3 x 1.75 Hex (GR 5 M/S FA)
3	8	P000055FA	Bolt - 3/4-16 x 2.5 x 1.75 Hex (GR 5 M/S FA)
4	12	P000057FA	Nut - 3/8-16 Hex Nylon Lock (GR 5 M/S FA)
5	16	P000061FA	Nut - 3/4-10 Hex Metal Lock (GR 5 M/S FA)
6	2	P000075FA	Nut - 5/16-18 Hex Nylon Lock (GR 5 M/S FA)
7	40	P000091FB	Bolt - 1/4-20 x 1 x 0.75 Hex (F593 304 S/S FB)
8	14	P000097FB	Bolt - 3/8-16 x 1 x 1 Hex (F593 304 S/S FB)
9	18	P000105FB	Nut - 3/8-16 Hex Nylon Lock (F594 316 S/S FB)
10	32	P000107FB	Washer - 1/4" USS Flat (0.734" OD) (SS304 304 S/S FB)
11	12	P000111FB	Washer - 3/8" USS Flat (1" OD) (SS304 304 S/S FB)
12	2	P000318FA	Bolt - 5/16-18 x 0.75 x 0.75 Hex (GR 5 M/S FA)
13	12	P000416FB	Bolt - 3/8-16 x 1.25 x 1 Hex (F593 304 S/S FB)
14	6	P000504FA	Bolt - 3/8-16 x 1 x 1 Carriage (GR 5 M/S FA)
15	4	P000527FB	Bolt - 5/16-18 x 0.75 x 0.75 Carriage (F593 304 S/S FB)
16	2	P000619FB	Bolt - 3/8-16 x 5 x 1 Socket Head (F593 316 S/S FB)
17	18	P000752FA	Washer - 3/8" USS Flat (1" OD) (GR 5 M/S FA)
18	24	P000766FA	Washer - 3/4" Flat (1.465" OD) (GR 5 M/S FA)
19	2	P002064	Pin - 1/2" x 2" Clevis
20	8	P002146	Washer - 3/4" Spherical Self Aligning
21	4	P002215	Retainer - 3/8" E-Clip
22	4	P002216	Pin - Grooved Clevis 3/8" X 2" X 1 13/16" (18-8 S/S)
23	4	P002224FB	Nut - 5/16-18 Flange Nylon Lock (F594 316 S/S FB)
24	10	P002225FB	Nut - 3/8-16 Flange Nylon Lock (F594 316 S/S FB)
25	8	P002249FB	Rivet - 3/16" Large Flange 5/8"-3/4" Grip (18-8 S/S FB)
26	2	P002255FB	Pin - Hairpin Bowtie 3/8" x 3/32" x 1 7/8"
27	40	P002291FB	Nut - 1/4-20 Flange Nylon Lock (F594 316 S/S FB)
28	12	P002374FB	Screw - #12-11 x 3/4 (S/S) Hex Sheetmetal
29	3	P002375FB	Bolt - #8-32 x 1-1/4 x 1-1/4 Phillips Head (GR 5 M/S FA)
30	3	P002376FA	Nut - #8-32 Hex Nylon Lock (GR 5 M/S FA)

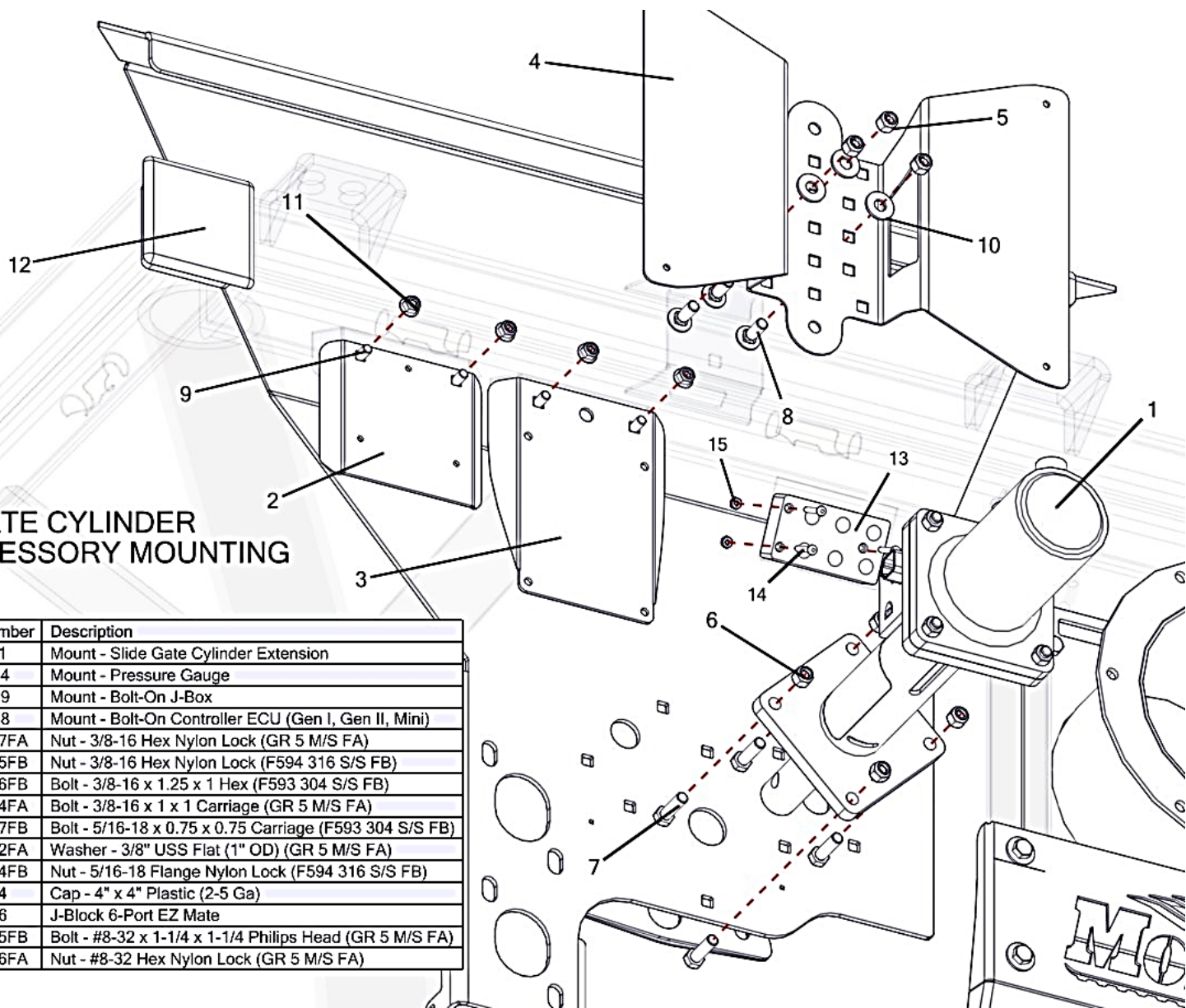


FRONT ACCESSORIES

Item No.	Qty.	Part Number	Description
1	2	A002101	Mount - Slide Gate Cylinder Extension
2	1	A002151	Fan / Transission - Assembly Gen II-D
3	1	A002162	Assembly - Hose Manifold Gen II-D
4	1	A002163	Assembly - Rear Hose Manifold Gen II-D
5	1	M001044	Hose - Air Gauge Breather Tube
6	1	M002657	Hose - Air Pressure Gauge Gen II-D
7	1	P000812	Gauge - Dwyer Air 0-30" WC (No Logo)
9	1	P002227	Manifold - Gen II-D Hydraulic Control
10	1	P002241	Controller - ECU
11	4	P002254	Cap - 4" x 4" Plastic (2-5 Ga)
12	2	P002266	J-Block 6-Port EZ Mate
13	1	P002279	Node - Scale Link 2 140 Digi-Star ISO
14	1	W002350	Cradle - Gen II-D

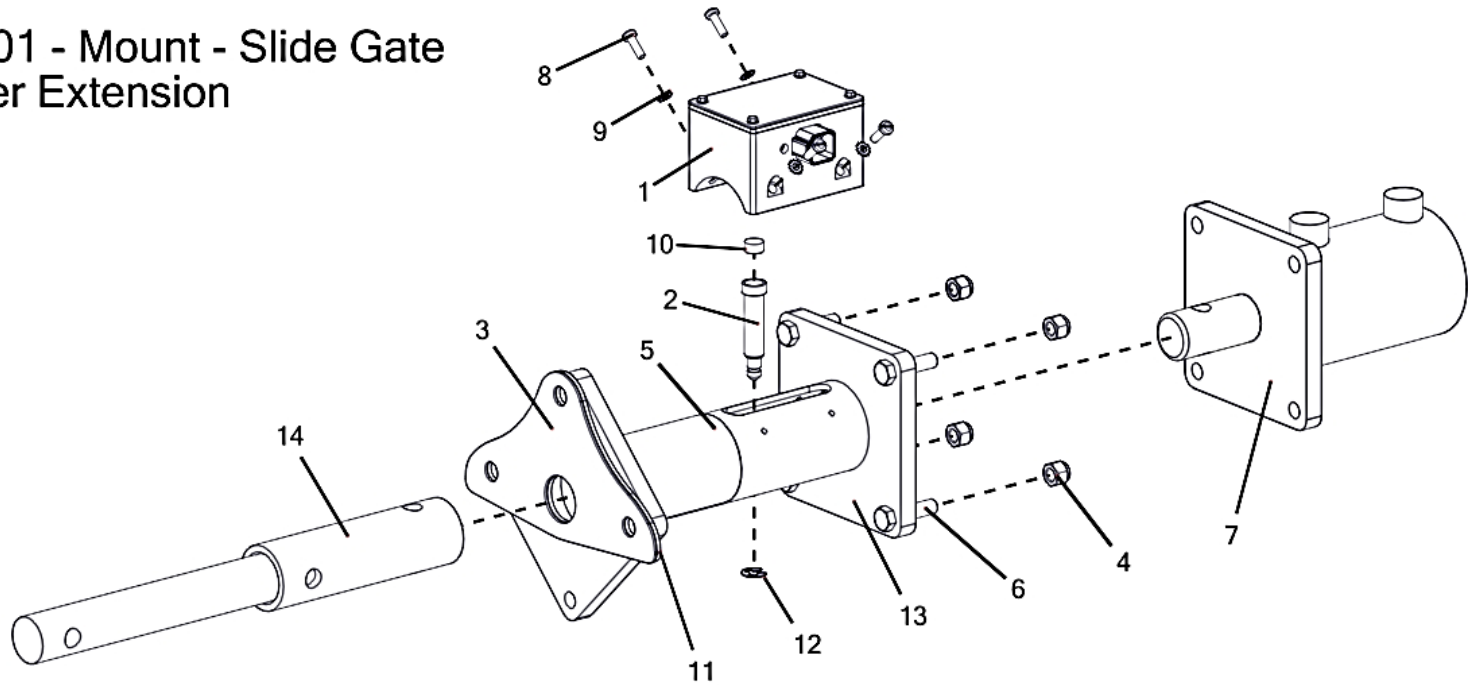


SLIDE GATE CYLINDER AND ACCESSORY MOUNTING



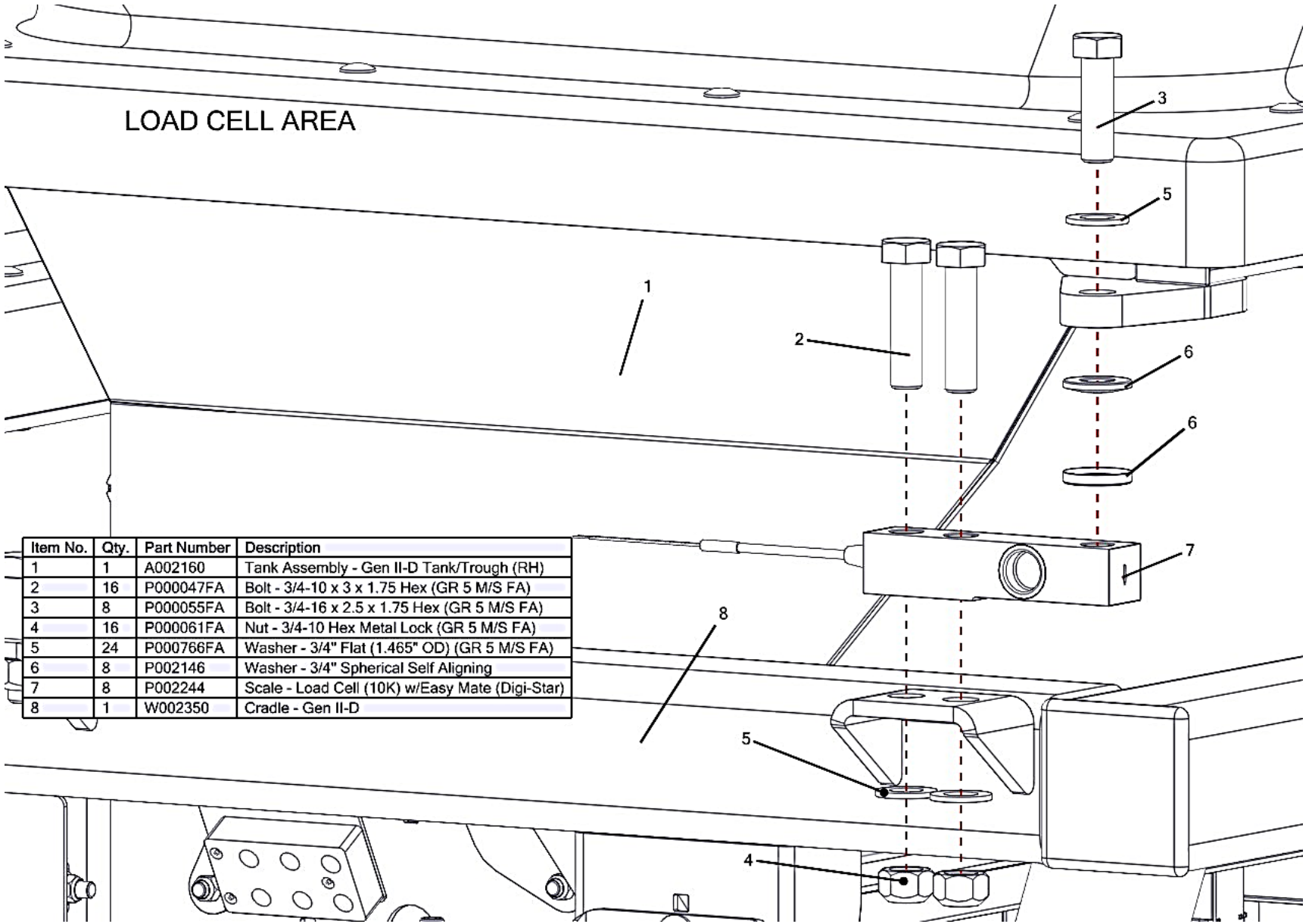
Item No.	Qty.	Part Number	Description
1	2	A002101	Mount - Slide Gate Cylinder Extension
2	1	M000054	Mount - Pressure Gauge
3	1	M002629	Mount - Bolt-On J-Box
4	1	M002748	Mount - Bolt-On Controller ECU (Gen I, Gen II, Mini)
5	3	P000057FA	Nut - 3/8-16 Hex Nylon Lock (GR 5 M/S FA)
6	8	P000105FB	Nut - 3/8-16 Hex Nylon Lock (F594 316 S/S FB)
7	8	P000416FB	Bolt - 3/8-16 x 1.25 x 1 Hex (F593 304 S/S FB)
8	3	P000504FA	Bolt - 3/8-16 x 1 x 1 Carriage (GR 5 M/S FA)
9	4	P000527FB	Bolt - 5/16-18 x 0.75 x 0.75 Carriage (F593 304 S/S FB)
10	3	P000752FA	Washer - 3/8" USS Flat (1" OD) (GR 5 M/S FA)
11	4	P002224FB	Nut - 5/16-18 Flange Nylon Lock (F594 316 S/S FB)
12	4	P002254	Cap - 4" x 4" Plastic (2-5 Ga)
13	2	P002266	J-Block 6-Port EZ Mate
14	6	P002375FB	Bolt - #8-32 x 1-1/4 x 1-1/4 Phillips Head (GR 5 M/S FA)
15	6	P002376FA	Nut - #8-32 Hex Nylon Lock (GR 5 M/S FA)

A002101 - Mount - Slide Gate Cylinder Extension

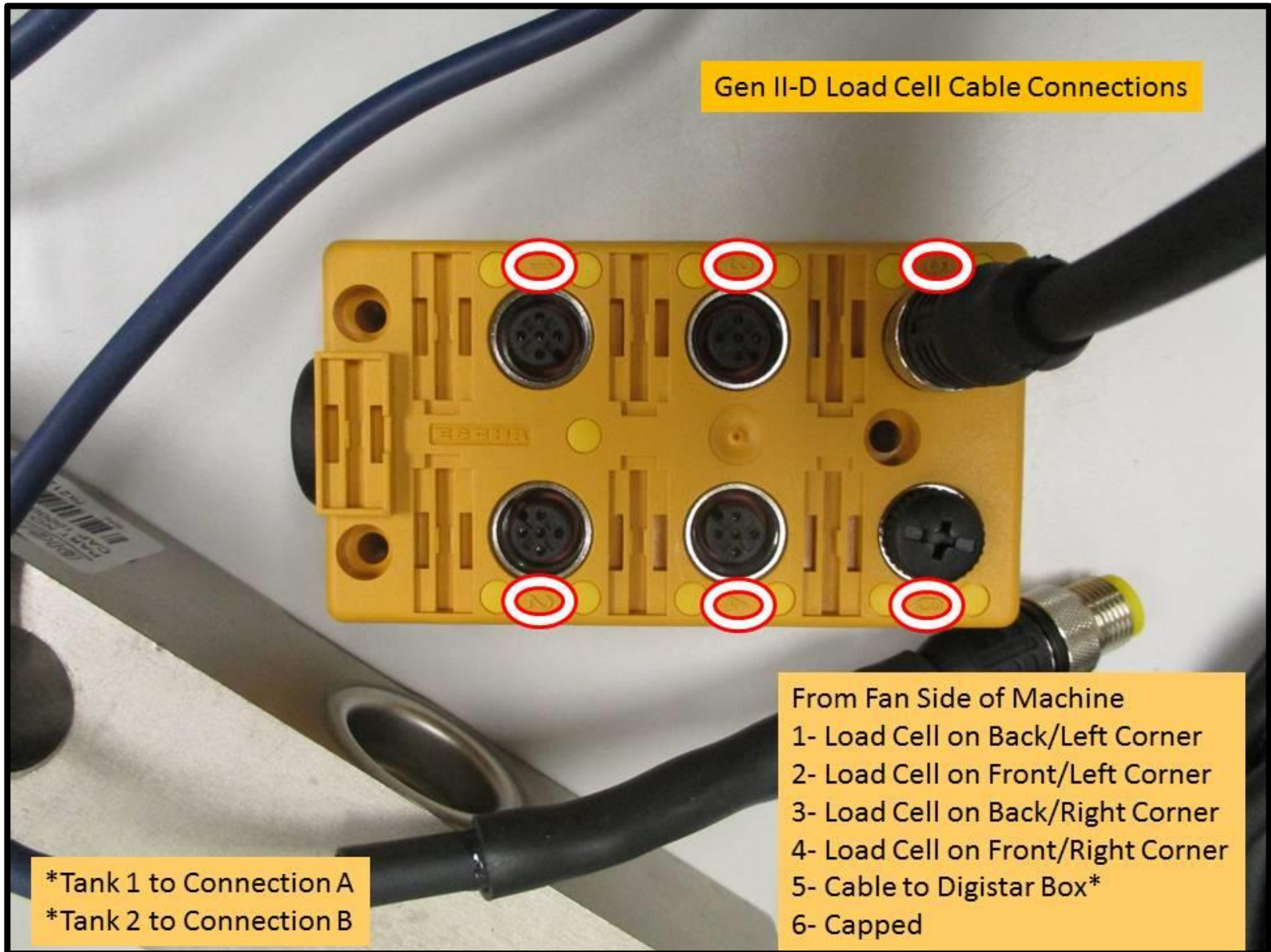


Item No.	Qty.	Part Number	Description
1	1	A002167	Housing - Slide Gate Cylinder Sensor
2	1	M002374	Pin - Slide Gate Cylinder Clevis
3	1	M002403	Plate - Slide Gate Cylinder Gasket Seal Backing
4	4	P000057FA	Nut - 3/8-16 Hex Nylon Lock (GR 5 M/S FA)
5	1	P000189	Decal - Pinching Danger
6	4	P000943FA	Bolt - 3/8-16 x 1.5 x 1 Hex (GR 5 M/S FA)
7	1	P002114	Cylinder - 3" B x 2.25" S x 1.25" R
8	4	P002139	Screw - 10-24 SS Round Head Machine Screw 5/8" long
9	4	P002140	Lock Washer - SS #10 External Tooth
10	1	P002142	Magnet - Slide Gate Position Sensor
11	1	P002148	Gasket - Slide Gate Cylinder Tank Seal
12	1	P002215	Retainer - 3/8" E-Clip
13	1	W002330	Mount - Slide Gate Extension Main Body
14	1	W002332	Shaft - Slide Gate Extension Attachment

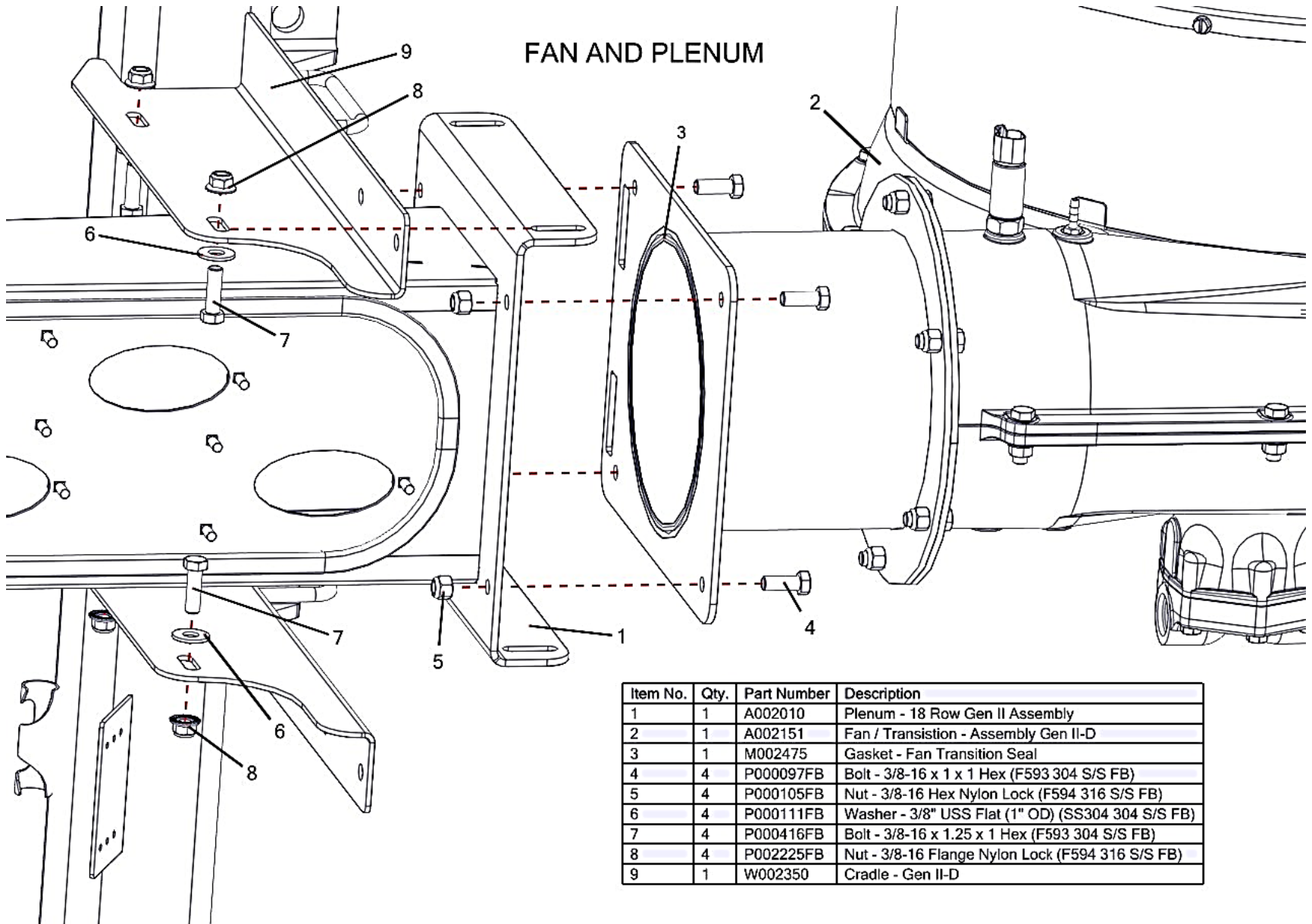
LOAD CELL AREA



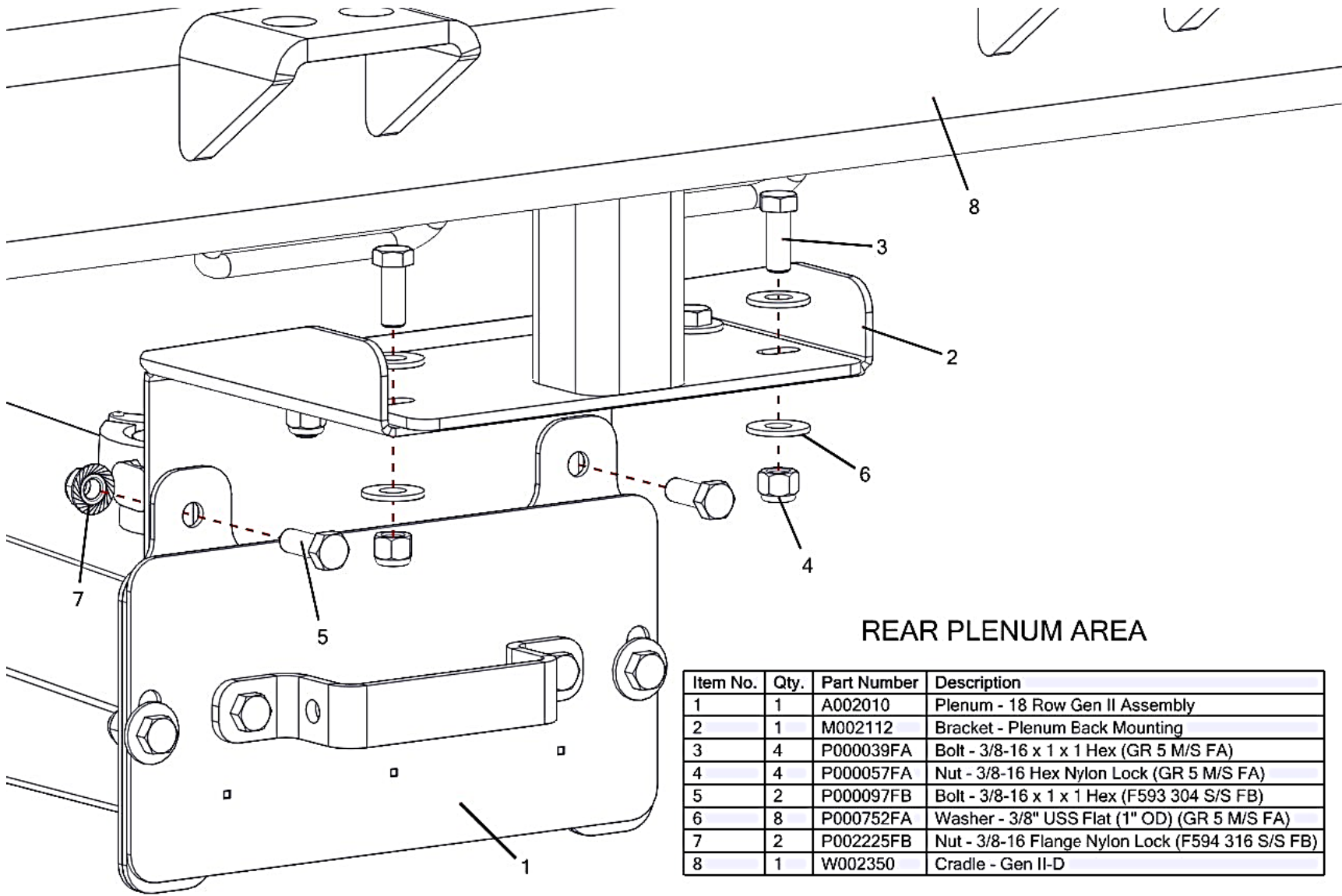
Item No.	Qty.	Part Number	Description
1	1	A002160	Tank Assembly - Gen II-D Tank/Trough (RH)
2	16	P000047FA	Bolt - 3/4-10 x 3 x 1.75 Hex (GR 5 M/S FA)
3	8	P000055FA	Bolt - 3/4-16 x 2.5 x 1.75 Hex (GR 5 M/S FA)
4	16	P000061FA	Nut - 3/4-10 Hex Metal Lock (GR 5 M/S FA)
5	24	P000766FA	Washer - 3/4" Flat (1.465" OD) (GR 5 M/S FA)
6	8	P002146	Washer - 3/4" Spherical Self Aligning
7	8	P002244	Scale - Load Cell (10K) w/Easy Mate (Digi-Star)
8	1	W002350	Cradle - Gen II-D



FAN AND PLENUM



Item No.	Qty.	Part Number	Description
1	1	A002010	Plenum - 18 Row Gen II Assembly
2	1	A002151	Fan / Transition - Assembly Gen II-D
3	1	M002475	Gasket - Fan Transition Seal
4	4	P000097FB	Bolt - 3/8-16 x 1 x 1 Hex (F593 304 S/S FB)
5	4	P000105FB	Nut - 3/8-16 Hex Nylon Lock (F594 316 S/S FB)
6	4	P000111FB	Washer - 3/8" USS Flat (1" OD) (SS304 304 S/S FB)
7	4	P000416FB	Bolt - 3/8-16 x 1.25 x 1 Hex (F593 304 S/S FB)
8	4	P002225FB	Nut - 3/8-16 Flange Nylon Lock (F594 316 S/S FB)
9	1	W002350	Cradle - Gen II-D

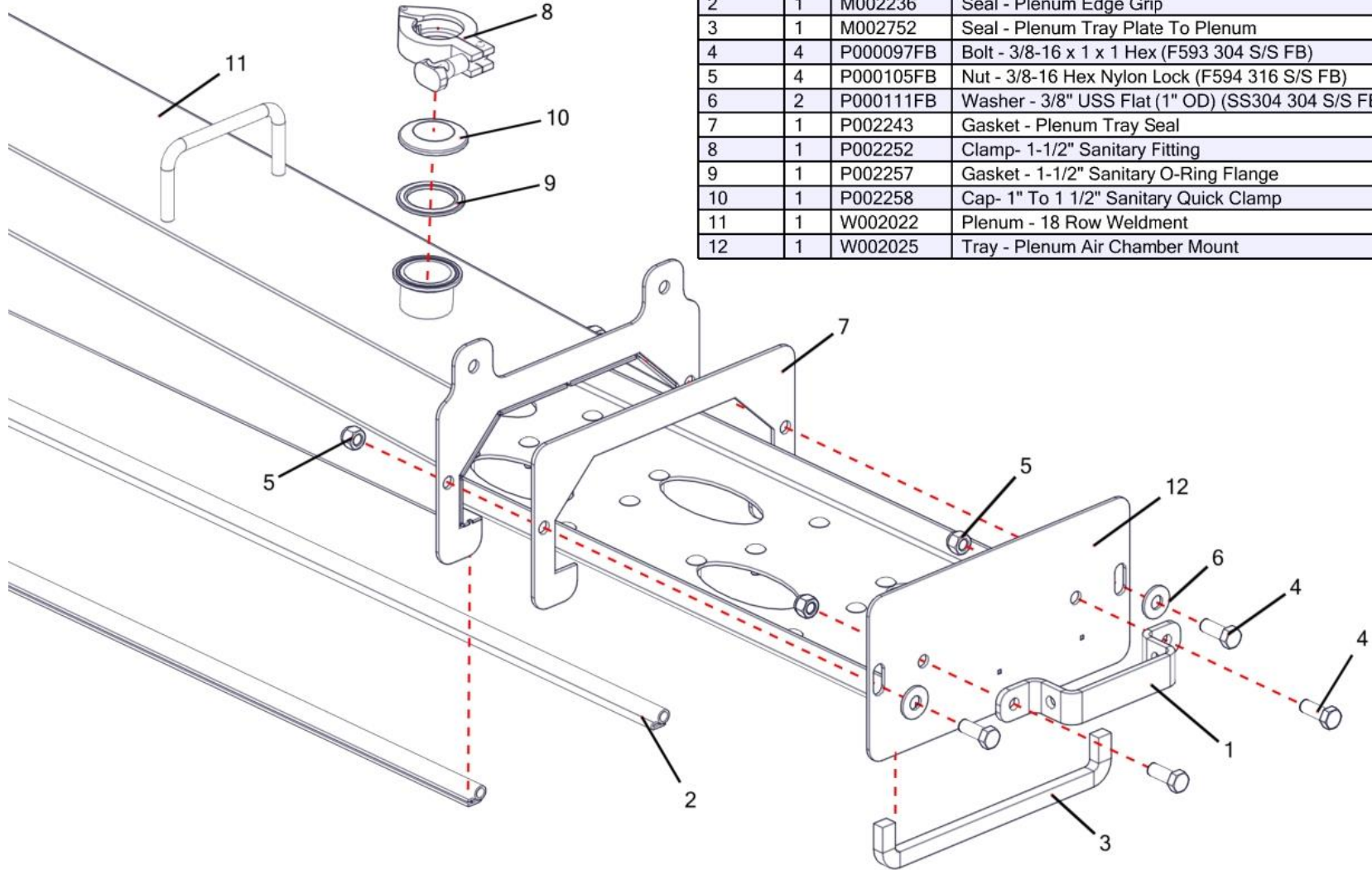


REAR PLENUM AREA

Item No.	Qty.	Part Number	Description
1	1	A002010	Plenum - 18 Row Gen II Assembly
2	1	M002112	Bracket - Plenum Back Mounting
3	4	P000039FA	Bolt - 3/8-16 x 1 x 1 Hex (GR 5 M/S FA)
4	4	P000057FA	Nut - 3/8-16 Hex Nylon Lock (GR 5 M/S FA)
5	2	P000097FB	Bolt - 3/8-16 x 1 x 1 Hex (F593 304 S/S FB)
6	8	P000752FA	Washer - 3/8" USS Flat (1" OD) (GR 5 M/S FA)
7	2	P002225FB	Nut - 3/8-16 Flange Nylon Lock (F594 316 S/S FB)
8	1	W002350	Cradle - Gen II-D

A002010 - Plenum - 18 Row Gen II Assembly

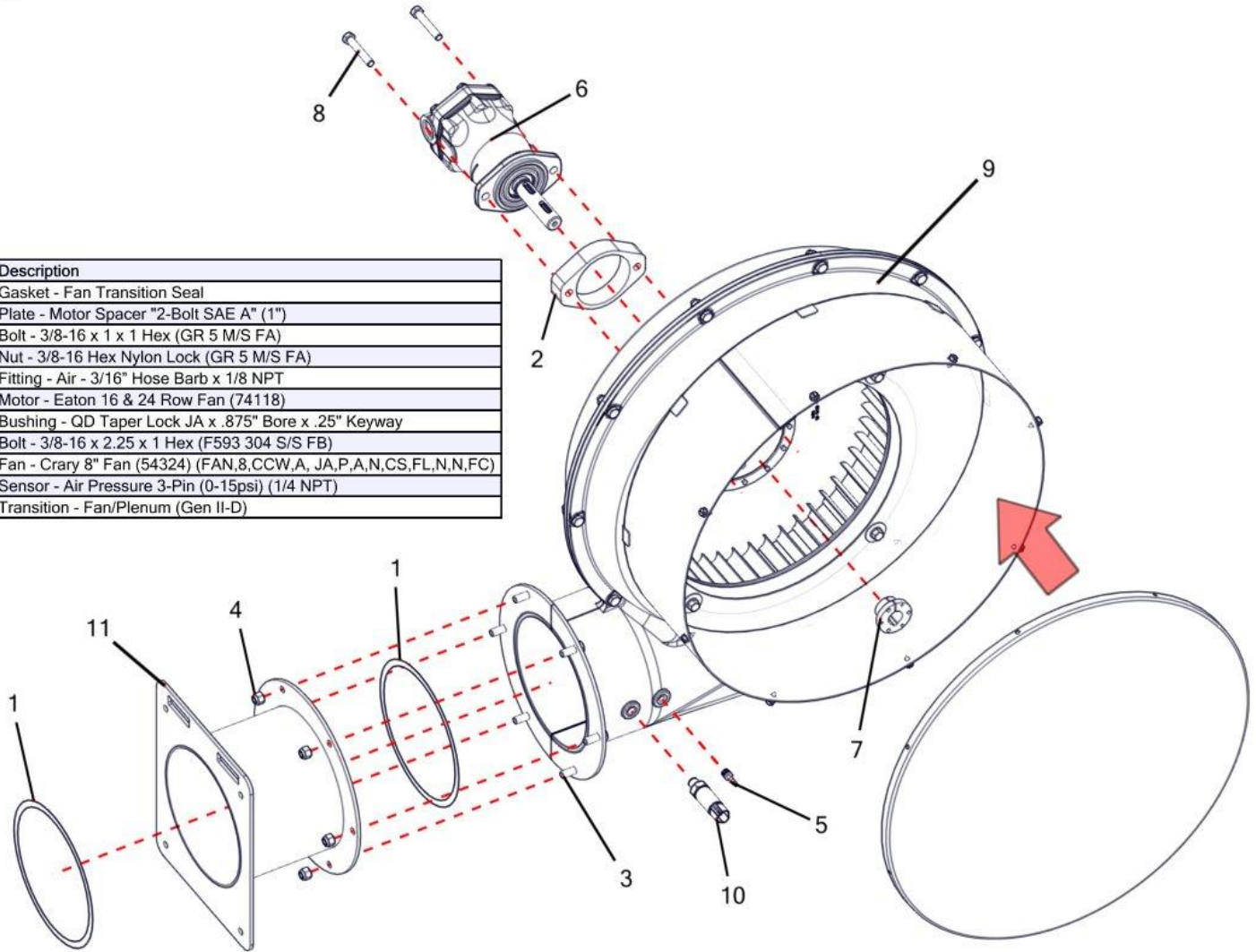
Item No.	Qty	Part Number	Description
1	1	M000016	Handle - Poly Lid
2	1	M002236	Seal - Plenum Edge Grip
3	1	M002752	Seal - Plenum Tray Plate To Plenum
4	4	P000097FB	Bolt - 3/8-16 x 1 x 1 Hex (F593 304 S/S FB)
5	4	P000105FB	Nut - 3/8-16 Hex Nylon Lock (F594 316 S/S FB)
6	2	P000111FB	Washer - 3/8" USS Flat (1" OD) (SS304 304 S/S FB)
7	1	P002243	Gasket - Plenum Tray Seal
8	1	P002252	Clamp - 1-1/2" Sanitary Fitting
9	1	P002257	Gasket - 1-1/2" Sanitary O-Ring Flange
10	1	P002258	Cap- 1" To 1 1/2" Sanitary Quick Clamp
11	1	W002022	Plenum - 18 Row Weldment
12	1	W002025	Tray - Plenum Air Chamber Mount



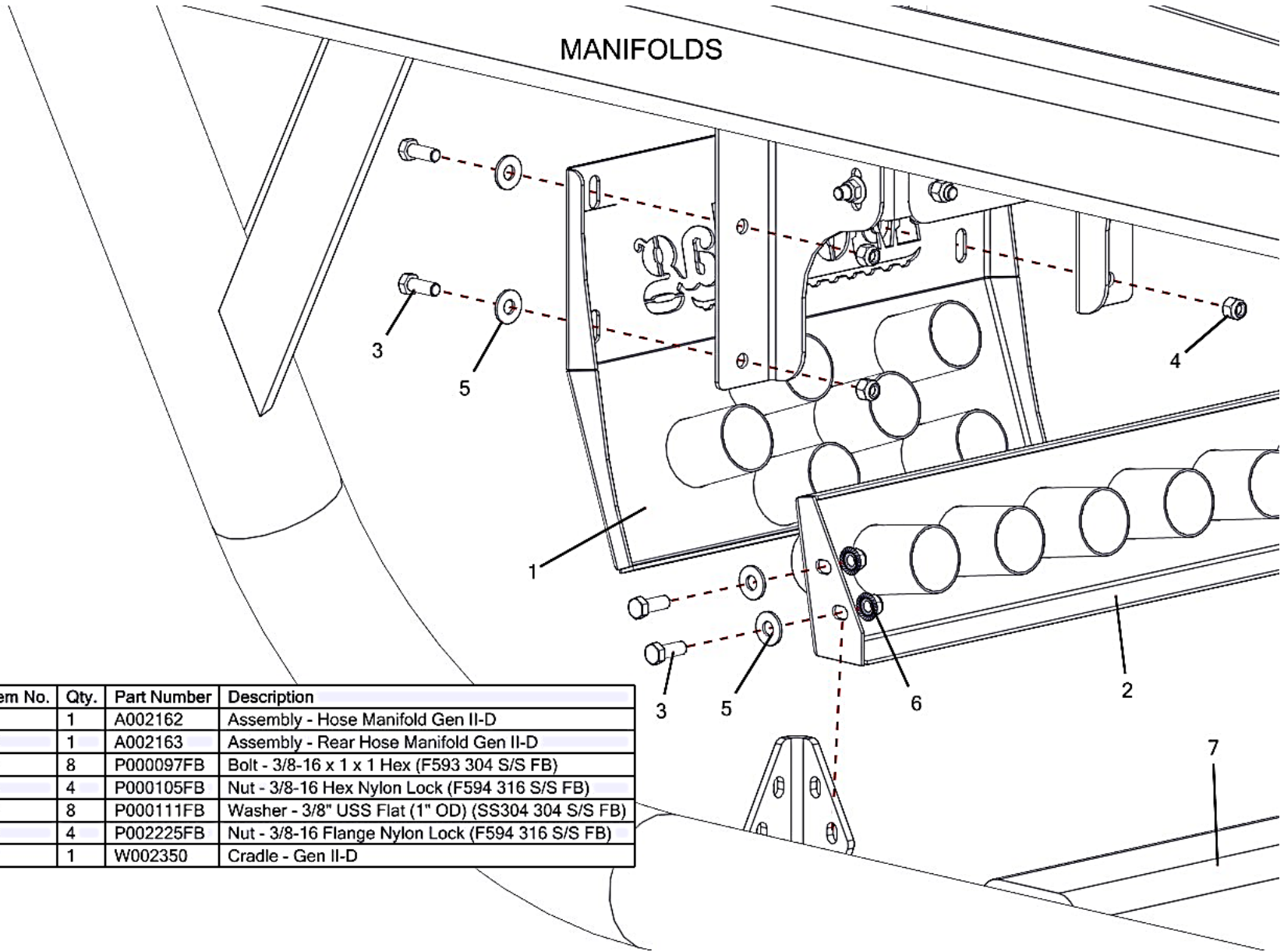
14

A002151 - Fan/Transition - Assembly Gen II

Item No.	Qty.	Part Number	Description
1	2	M002475	Gasket - Fan Transition Seal
2	1	M002672	Plate - Motor Spacer "2-Bolt SAE A" (1")
3	6	P000039FA	Bolt - 3/8-16 x 1 x 1 Hex (GR 5 M/S FA)
4	6	P000057FA	Nut - 3/8-16 Hex Nylon Lock (GR 5 M/S FA)
5	1	P000125	Fitting - Air - 3/16" Hose Barb x 1/8 NPT
6	1	P000354	Motor - Eaton 16 & 24 Row Fan (74118)
7	1	P000833	Bushing - QD Taper Lock JA x .875" Bore x .25" Keyway
8	2	P000930FB	Bolt - 3/8-16 x 2.25 x 1 Hex (F593 304 S/S FB)
9	1	P002014	Fan - Crary 8" Fan (54324) (FAN,8,CCW,A,JA,P,A,N,CS,FL,N,N,FC)
10	1	P002265	Sensor - Air Pressure 3-Pin (0-15psi) (1/4 NPT)
11	1	W002372	Transition - Fan/Plenum (Gen II-D)

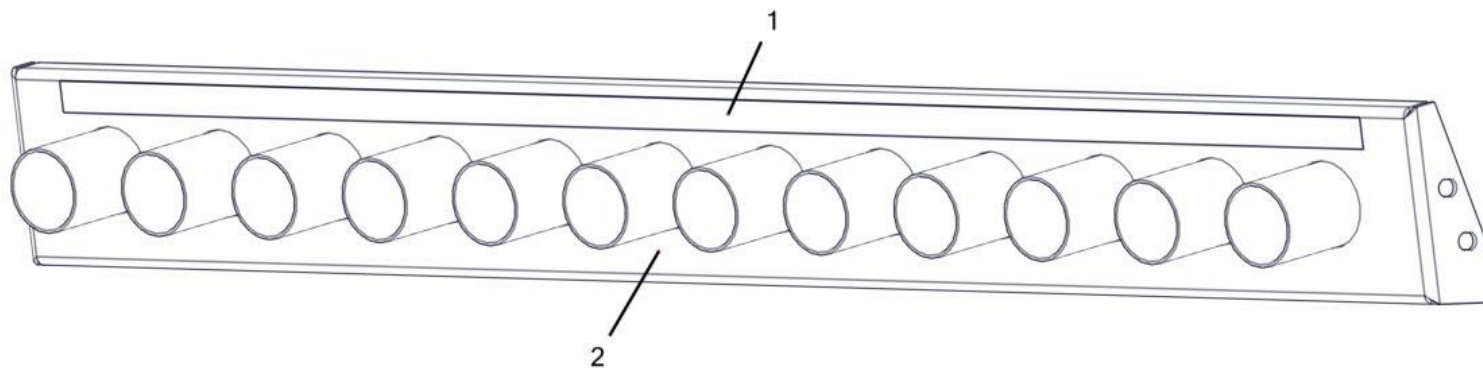


MANIFOLDS



Item No.	Qty.	Part Number	Description
1	1	A002162	Assembly - Hose Manifold Gen II-D
2	1	A002163	Assembly - Rear Hose Manifold Gen II-D
3	8	P000097FB	Bolt - 3/8-16 x 1 x 1 Hex (F593 304 S/S FB)
4	4	P000105FB	Nut - 3/8-16 Hex Nylon Lock (F594 316 S/S FB)
5	8	P000111FB	Washer - 3/8" USS Flat (1" OD) (SS304 304 S/S FB)
6	4	P002225FB	Nut - 3/8-16 Flange Nylon Lock (F594 316 S/S FB)
7	1	W002350	Cradle - Gen II-D

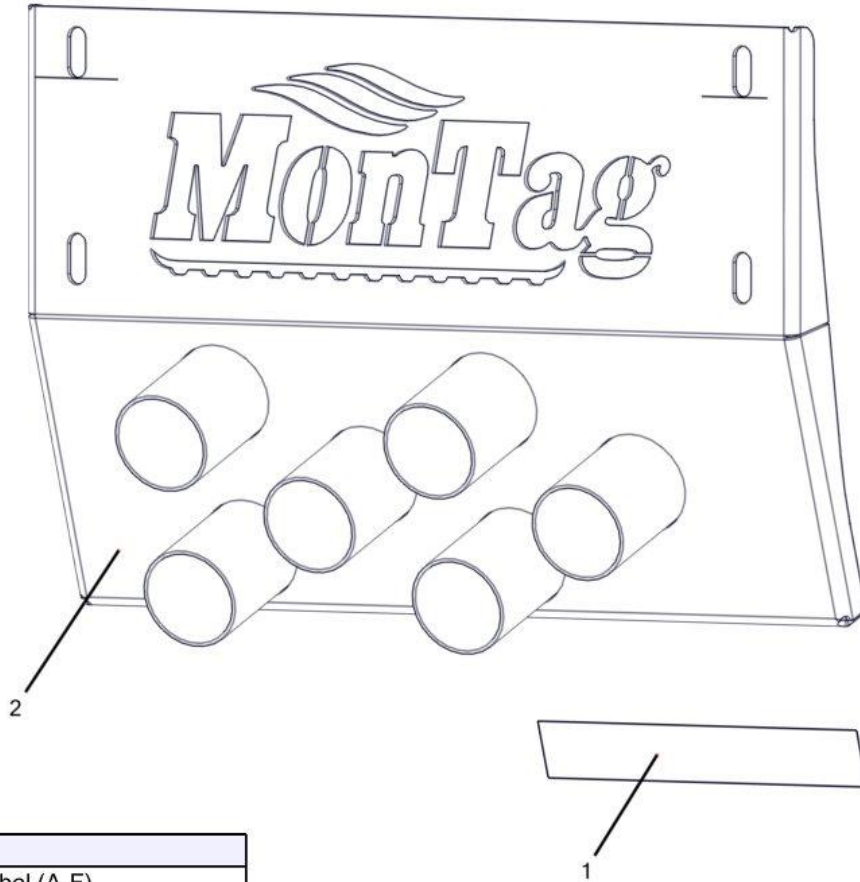
A002163 - Assembly - Rear Hose Manifold Gen II



Item No.	Qty.	Part Number	Description
1	1	P002248	Decal - Back Manifold Row Label (G-R) (GEN II-D)
2	1	W002374	Manifold - 12 Hole Hose Single Row

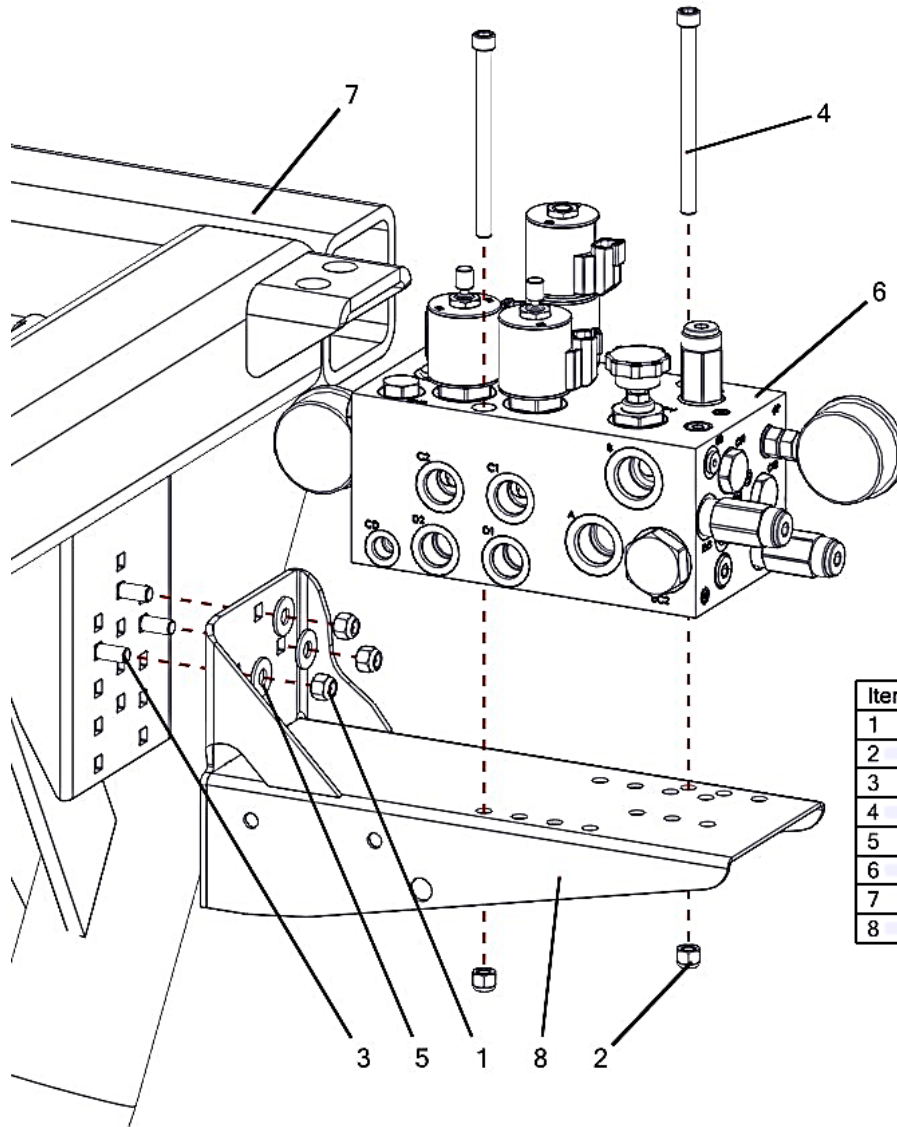
A002162 - Assembly -
Hose Manifold Gen-II

18

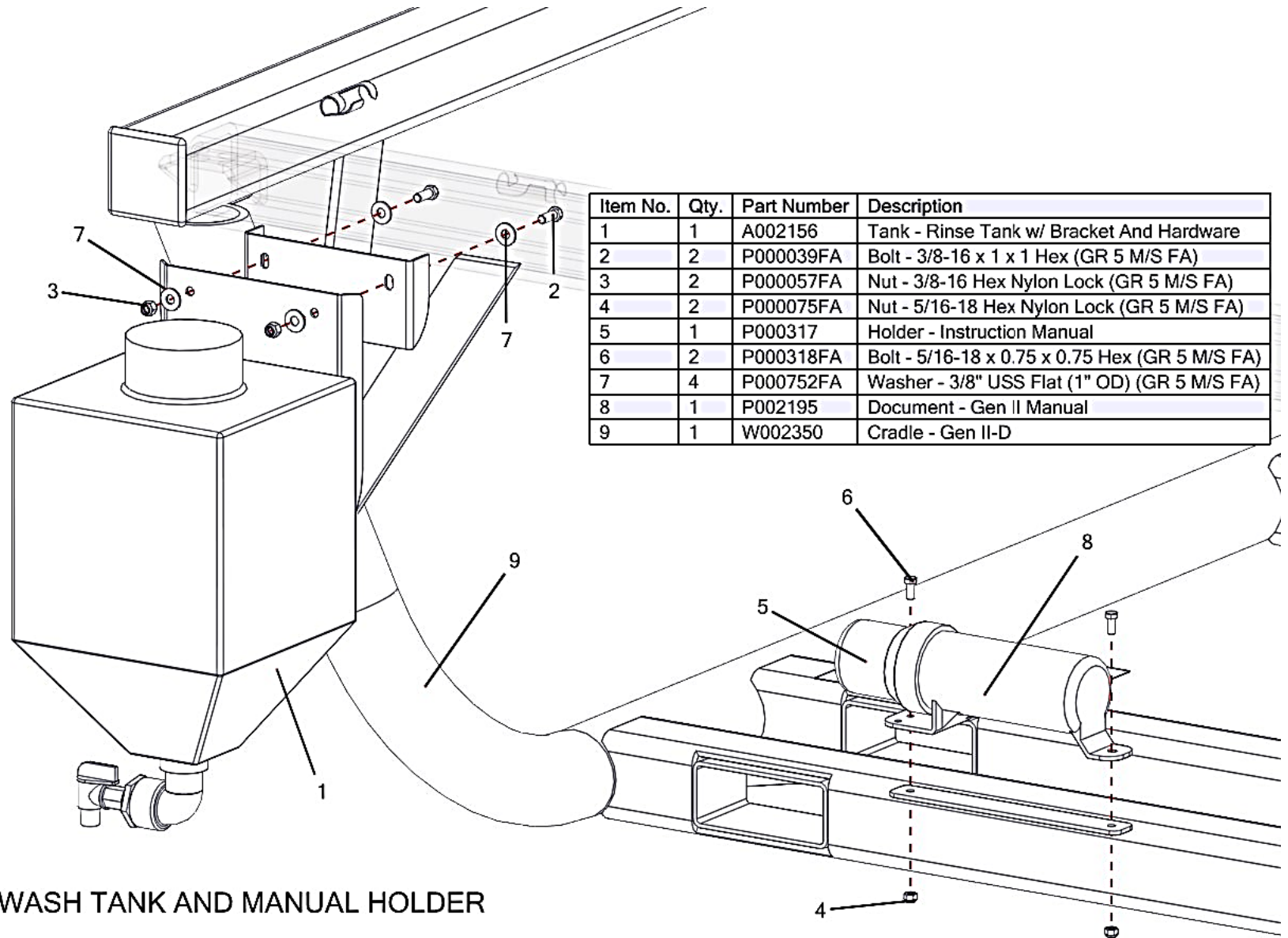


Item No.	Qty.	Part Number	Description
1	1	P000870	Decal - Front Manifold Label (A-F)
2	1	W002389	Manifold - Front "Montag" 6 Row Hose Gen II-D

MANIFOLD BLOCK

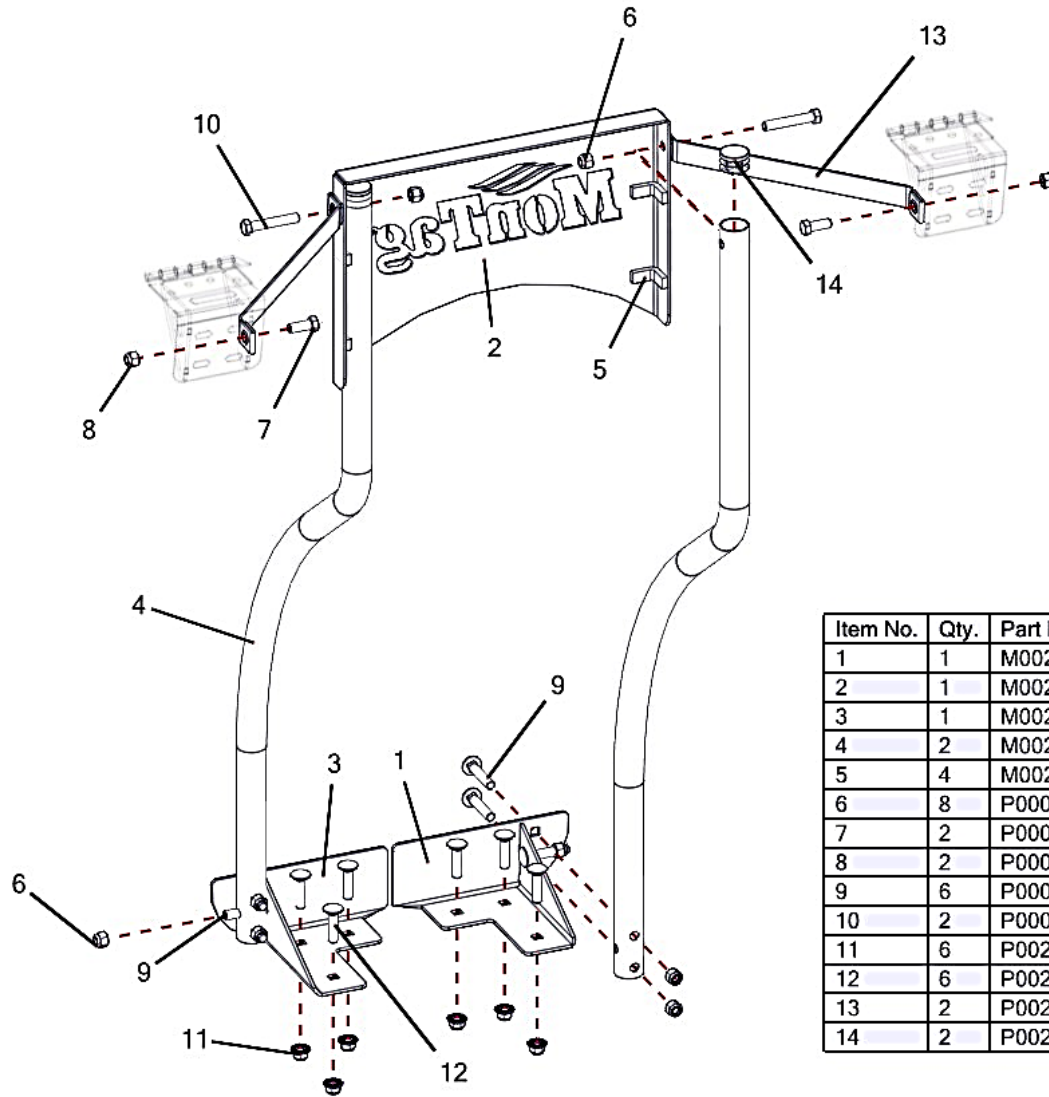


Item No.	Qty.	Part Number	Description
1	3	P000057FA	Nut - 3/8-16 Hex Nylon Lock (GR 5 M/S FA)
2	2	P000105FB	Nut - 3/8-16 Hex Nylon Lock (F594 316 S/S FB)
3	3	P000504FA	Bolt - 3/8-16 x 1 x 1 Carriage (GR 5 M/S FA)
4	2	P000619FB	Bolt - 3/8-16 x 5 x 1 Socket Head (F593 316 S/S FB)
5	3	P000752FA	Washer - 3/8" USS Flat (1" OD) (GR 5 M/S FA)
6	1	P002227	Manifold - Gen II-D Hydraulic Control
7	1	W002350	Cradle - Gen II-D
8	1	W002385	Bracket - Hydraulic Manifold & ECU Controller



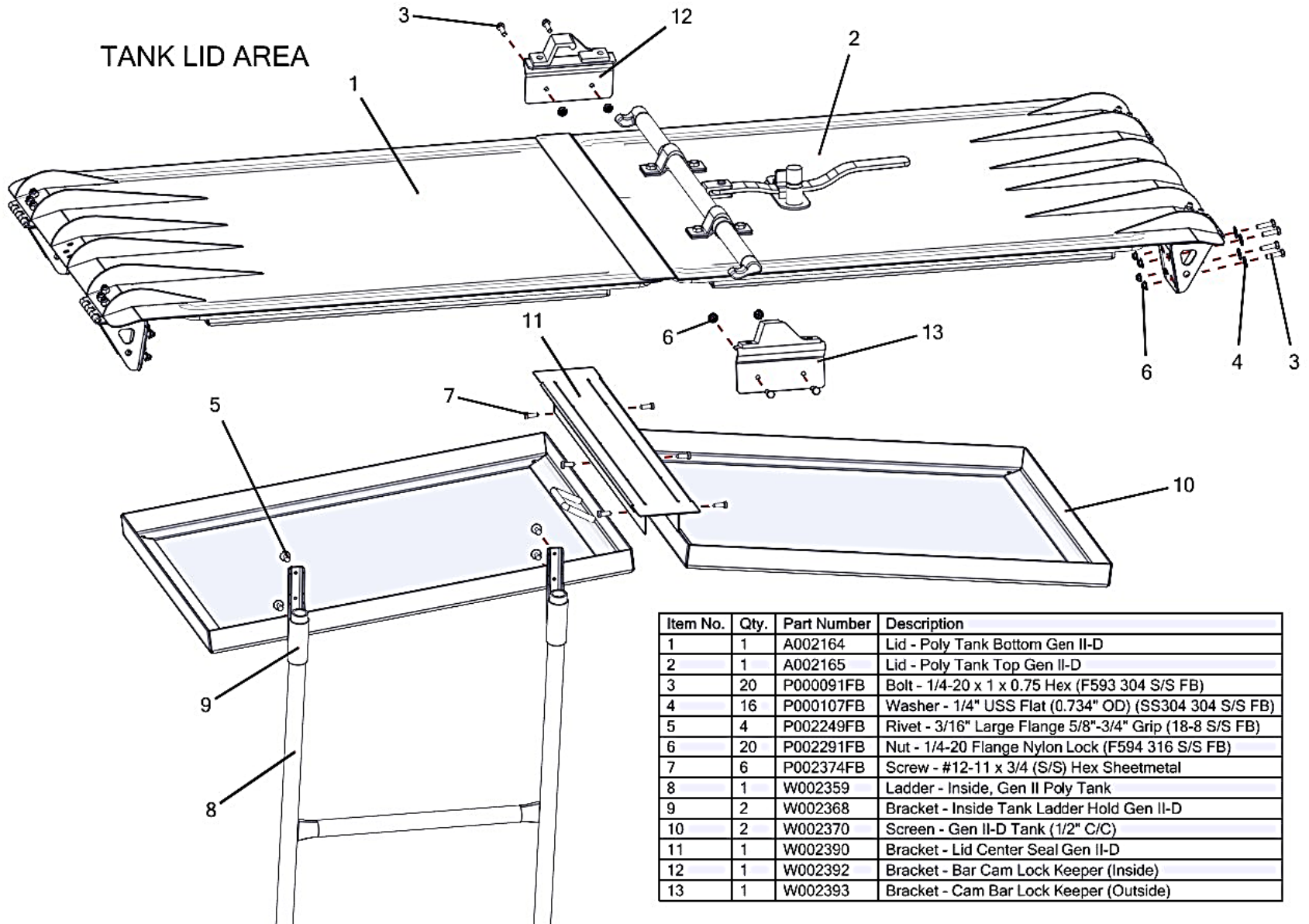
WASH TANK AND MANUAL HOLDER

A002136 - Rail - Front Platform Stop W/ Toe Kick



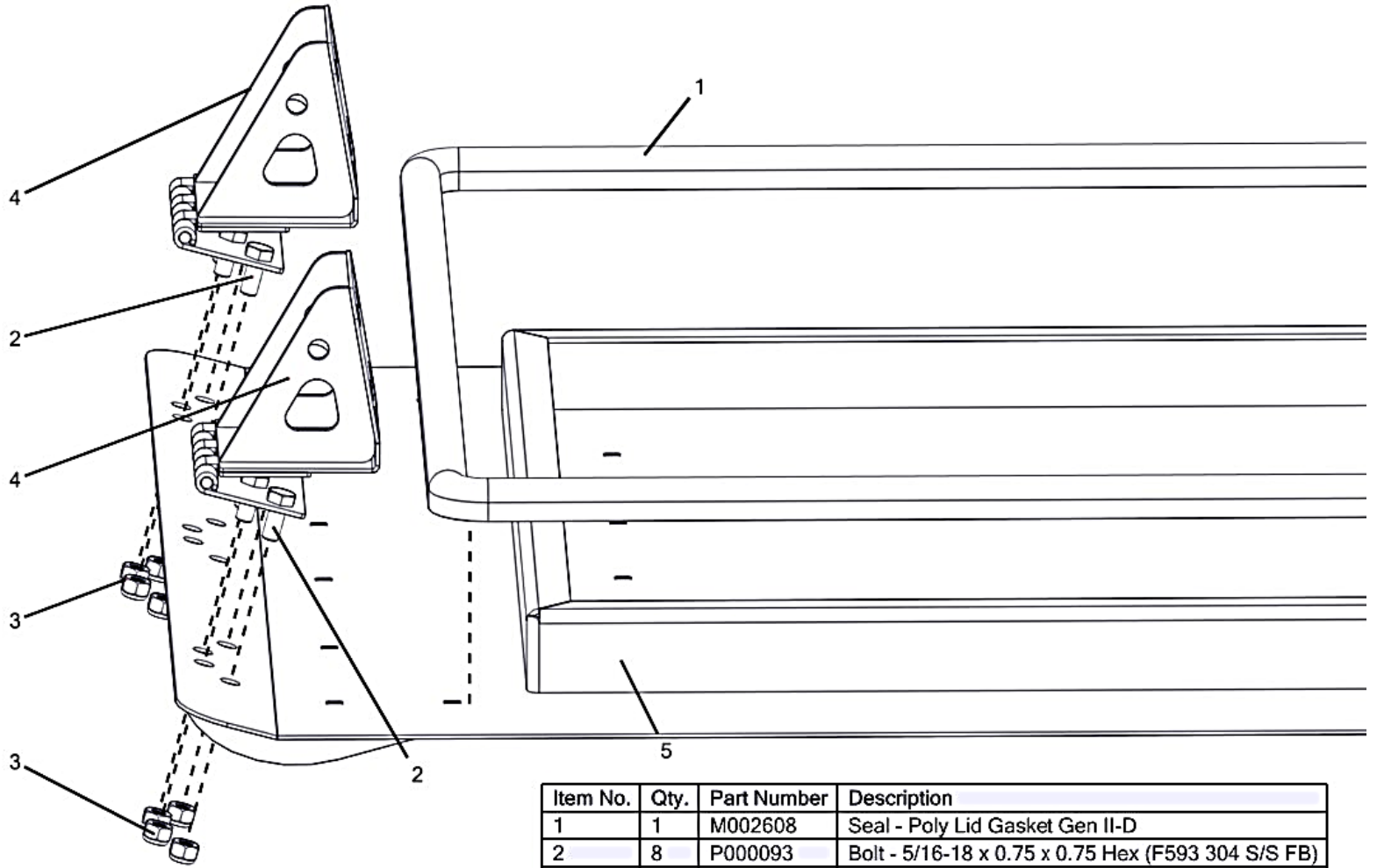
Item No.	Qty.	Part Number	Description
1	1	M002529	Gusset- Front Platform Stop (RH)
2	1	M002553	Plate- Platform Rail stop
3	1	M002573	Gusset- Front Platform Stop (LH)
4	2	M002607	Rail- Front Platform Stop
5	4	M002714	Seal - Adhesive Foam 1/4" x 1/2" x 2"
6	8	P000057FA	Nut - 3/8-16 Hex Nylon Lock (GR 5 M/S FA)
7	2	P000097FB	Bolt - 3/8-16 x 1 x 1 Hex (F593 304 S/S FB)
8	2	P000105FB	Nut - 3/8-16 Hex Nylon Lock (F594 316 S/S FB)
9	6	P000418FA	Bolt - 3/8-16 x 2 x 1 Carriage (GR 5 M/S FA)
10	2	P000462FA	Bolt - 3/8-16 x 2.25 x 1 Hex (GR 5 M/S FA)
11	6	P002225FB	Nut - 3/8-16 Flange Nylon Lock (F594 316 S/S FB)
12	6	P002242FB	Bolt - 3/8-16 x 1.5 x 1 Carriage (F593 304 S/S FB)
13	2	P002256	Strap - 1" X 12.5" Safety
14	2	P002380	Cap - Plastic Insert - 1-1/4 x 16 Gauge

TANK LID AREA



Item No.	Qty.	Part Number	Description
1	1	A002164	Lid - Poly Tank Bottom Gen II-D
2	1	A002165	Lid - Poly Tank Top Gen II-D
3	20	P000091FB	Bolt - 1/4-20 x 1 x 0.75 Hex (F593 304 S/S FB)
4	16	P000107FB	Washer - 1/4" USS Flat (0.734" OD) (SS304 304 S/S FB)
5	4	P002249FB	Rivet - 3/16" Large Flange 5/8"-3/4" Grip (18-8 S/S FB)
6	20	P002291FB	Nut - 1/4-20 Flange Nylon Lock (F594 316 S/S FB)
7	6	P002374FB	Screw - #12-11 x 3/4 (S/S) Hex Sheetmetal
8	1	W002359	Ladder - Inside, Gen II Poly Tank
9	2	W002368	Bracket - Inside Tank Ladder Hold Gen II-D
10	2	W002370	Screen - Gen II-D Tank (1/2" C/C)
11	1	W002390	Bracket - Lid Center Seal Gen II-D
12	1	W002392	Bracket - Bar Cam Lock Keeper (Inside)
13	1	W002393	Bracket - Cam Bar Lock Keeper (Outside)

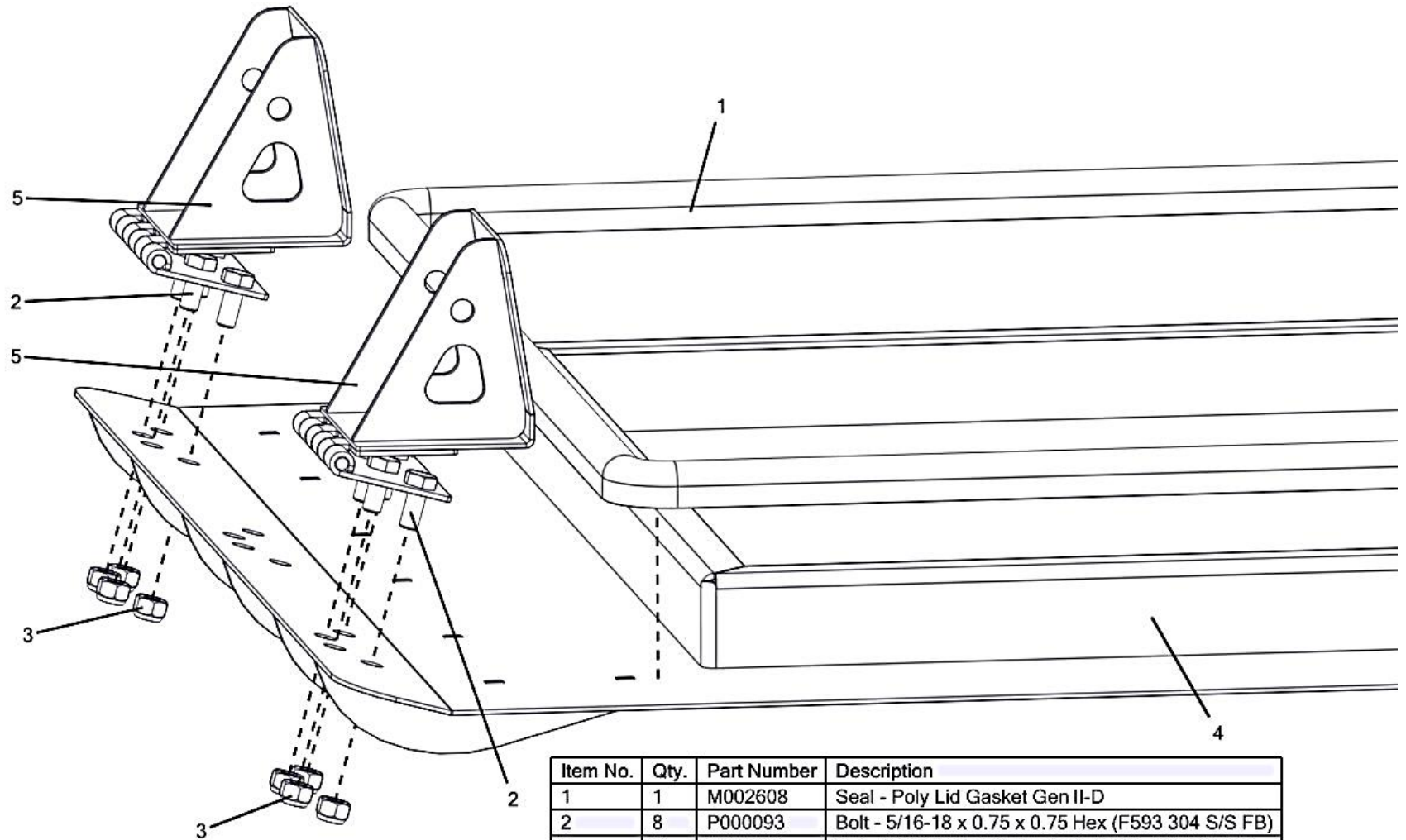
A002164 - LID - POLY TANK BOTTOM GEN II-D



Item No.	Qty.	Part Number	Description
1	1	M002608	Seal - Poly Lid Gasket Gen II-D
2	8	P000093	Bolt - 5/16-18 x 0.75 x 0.75 Hex (F593 304 S/S FB)
3	8	P000104	Nut - 5/16-18 Hex Nylon Lock (F594 316 S/S FB)
4	2	W002369	Bracket - Tank Lid Hinge Gen II-D
5	1	W002373	Lid - Bottom Poly Tank Gen II-D

23

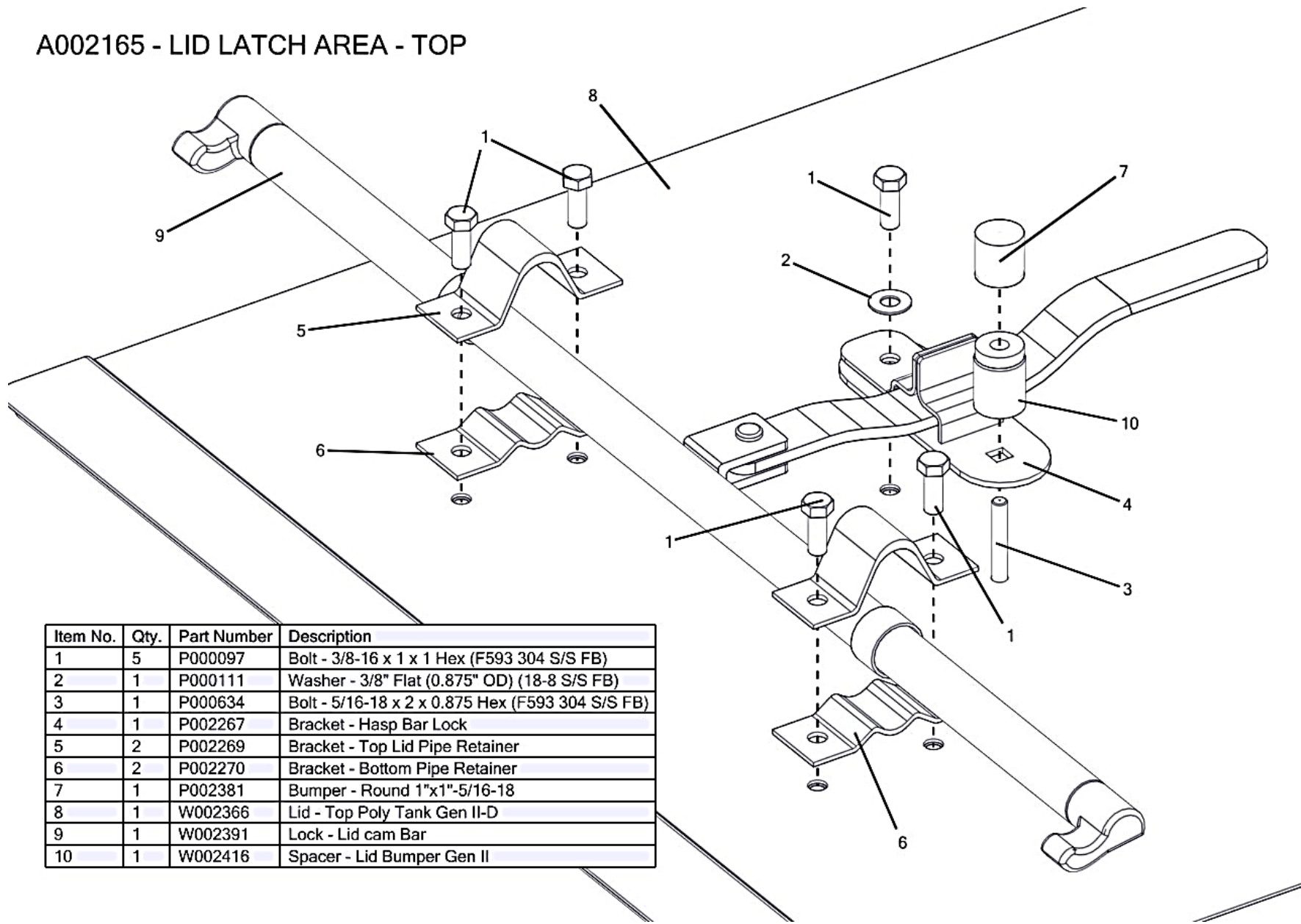
A002165 - LID - POLY TANK TOP GEN II-2016 HINGE AREA



Item No.	Qty.	Part Number	Description
1	1	M002608	Seal - Poly Lid Gasket Gen II-D
2	8	P000093	Bolt - 5/16-18 x 0.75 x 0.75 Hex (F593 304 S/S FB)
3	8	P000104	Nut - 5/16-18 Hex Nylon Lock (F594 316 S/S FB)
4	1	W002366	Lid - Top Poly Tank Gen II-D
5	2	W002369	Bracket - Tank Lid Hinge Gen II-D

24

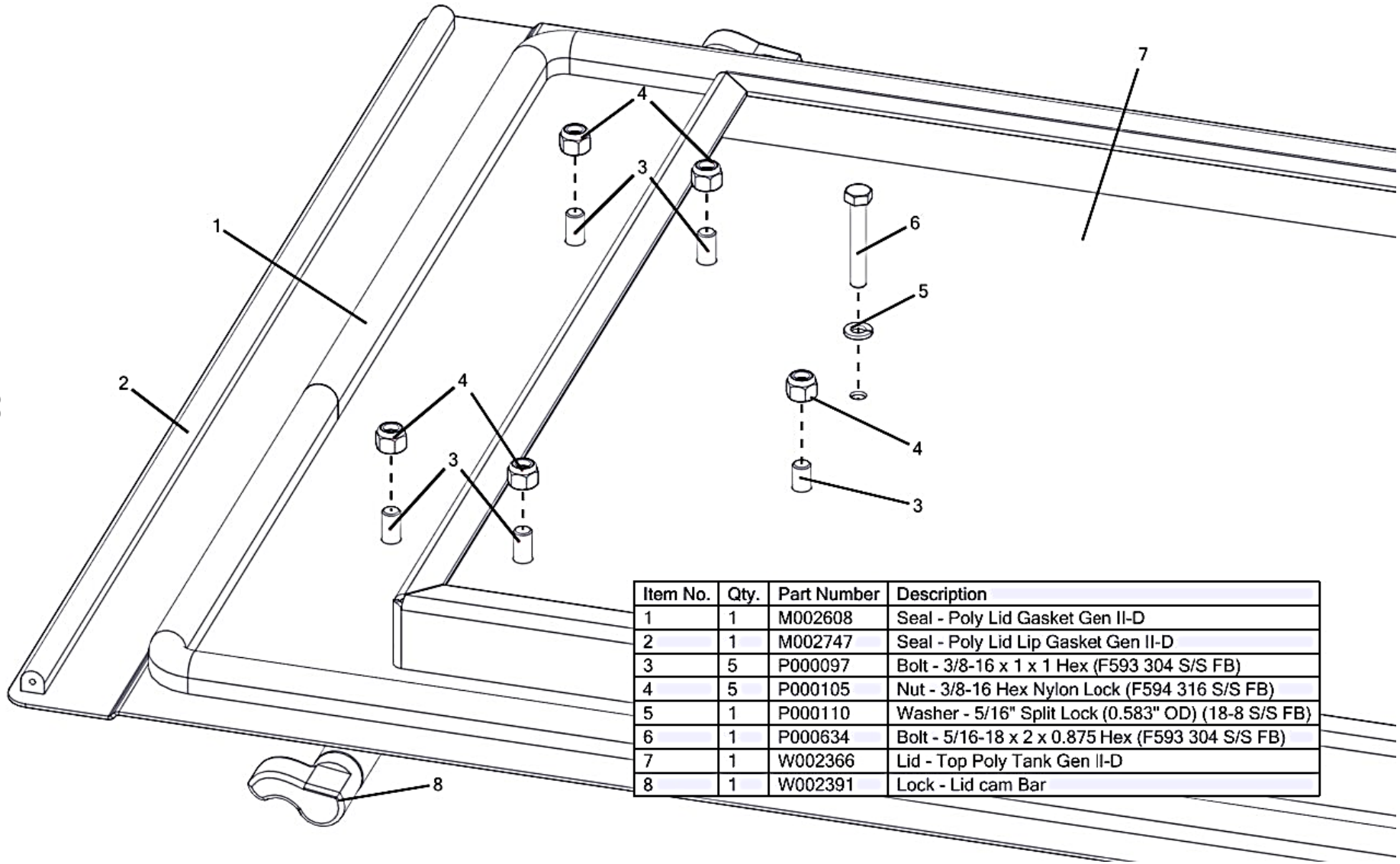
A002165 - LID LATCH AREA - TOP



Item No.	Qty.	Part Number	Description
1	5	P000097	Bolt - 3/8-16 x 1 x 1 Hex (F593 304 S/S FB)
2	1	P000111	Washer - 3/8" Flat (0.875" OD) (18-8 S/S FB)
3	1	P000634	Bolt - 5/16-18 x 2 x 0.875 Hex (F593 304 S/S FB)
4	1	P002267	Bracket - Hasp Bar Lock
5	2	P002269	Bracket - Top Lid Pipe Retainer
6	2	P002270	Bracket - Bottom Pipe Retainer
7	1	P002381	Bumper - Round 1"x1"-5/16-18
8	1	W002366	Lid - Top Poly Tank Gen II-D
9	1	W002391	Lock - Lid cam Bar
10	1	W002416	Spacer - Lid Bumper Gen II

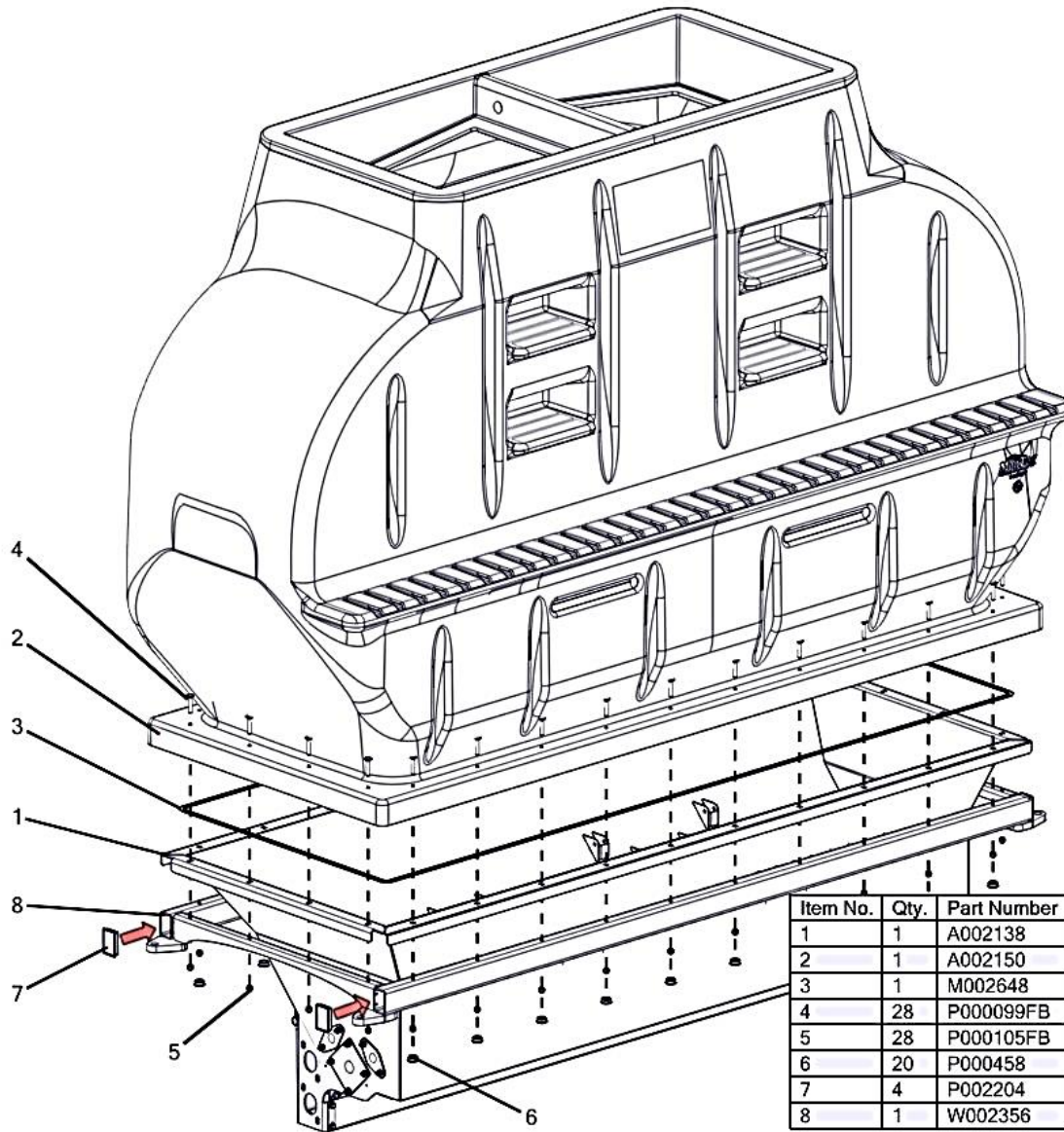
A002615 - LATCH AREA - BOTTOM

26



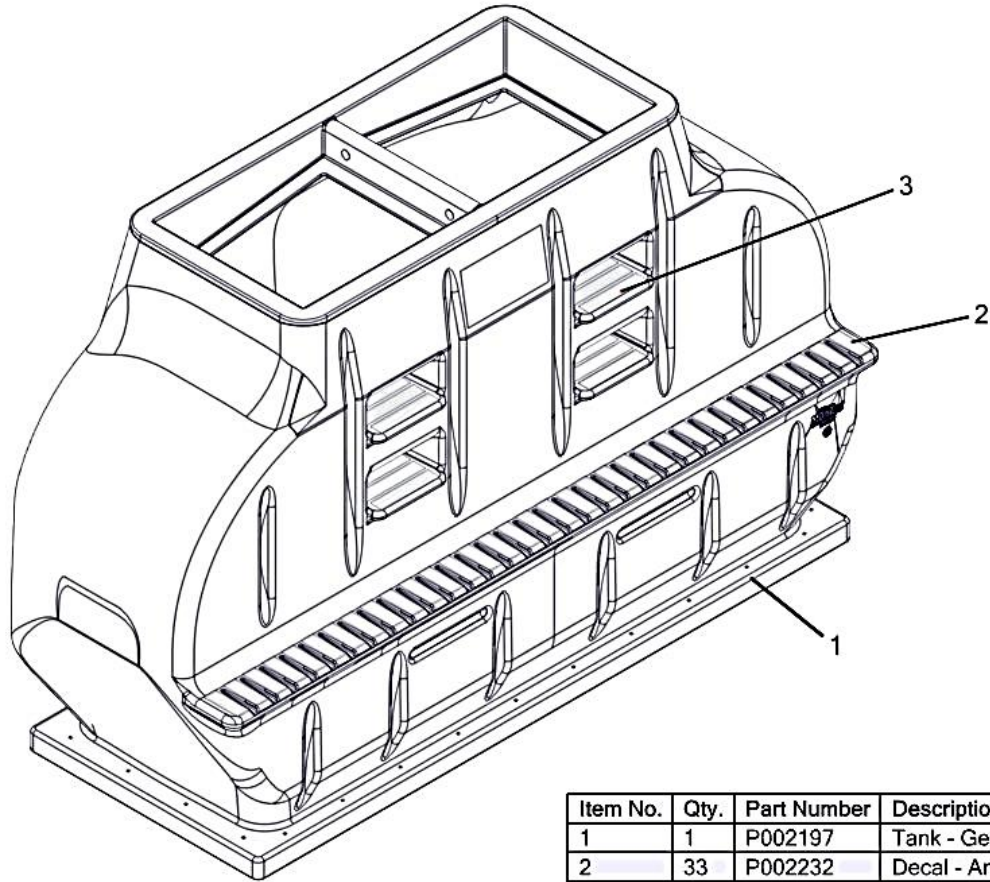
Item No.	Qty.	Part Number	Description
1	1	M002608	Seal - Poly Lid Gasket Gen II-D
2	1	M002747	Seal - Poly Lid Lip Gasket Gen II-D
3	5	P000097	Bolt - 3/8-16 x 1 x 1 Hex (F593 304 S/S FB)
4	5	P000105	Nut - 3/8-16 Hex Nylon Lock (F594 316 S/S FB)
5	1	P000110	Washer - 5/16" Split Lock (0.583" OD) (18-8 S/S FB)
6	1	P000634	Bolt - 5/16-18 x 2 x 0.875 Hex (F593 304 S/S FB)
7	1	W002366	Lid - Top Poly Tank Gen II-D
8	1	W002391	Lock - Lid cam Bar

A002161 - Tank Assembly - Gen II Tank/Trough (LH)

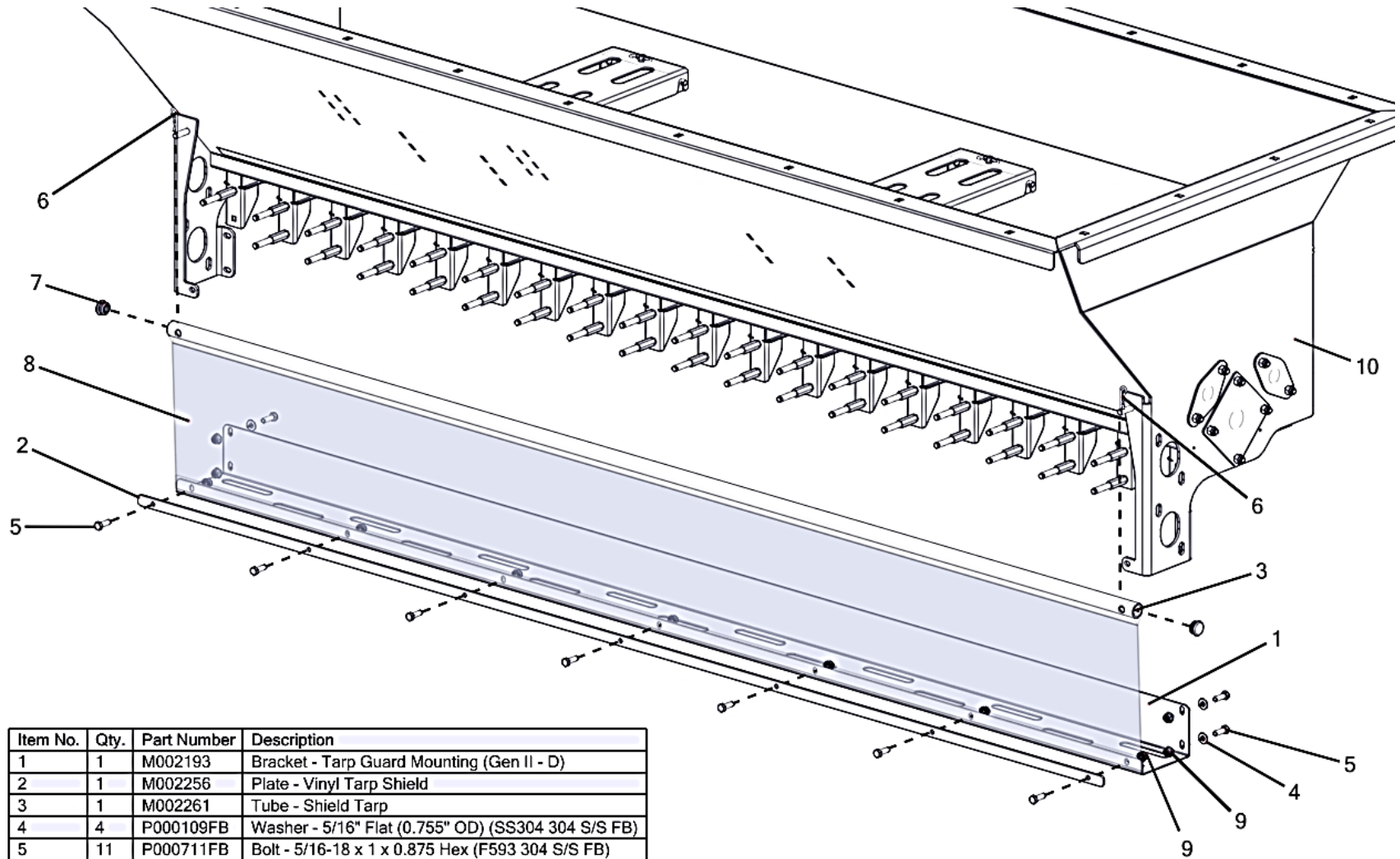


Item No.	Qty.	Part Number	Description
1	1	A002138	Meter - Gen II 18 Row Poly Tank Assembly (Left)
2	1	A002150	Assembly - 4.5 Ton Poly Tank Gen II-D
3	1	M002648	Seal - Tank To Meter Gen II-D
4	28	P000099FB	Bolt - 3/8-16 x 2 x 1 Carriage (F593 304 S/S FB)
5	28	P000105FB	Nut - 3/8-16 Hex Nylon Lock (F594 316 S/S FB)
6	20	P000458	Cap - Plastic Insert - 1-1/4 x 13 Gauge
7	4	P002204	Cap - 3" x 2" Plastic (6-8 Ga)
8	1	W002356	Frame - Poly Tank Mount (Gen II-D)

A002150 - Assembly - 4.5 Ton Poly Tank Gen II



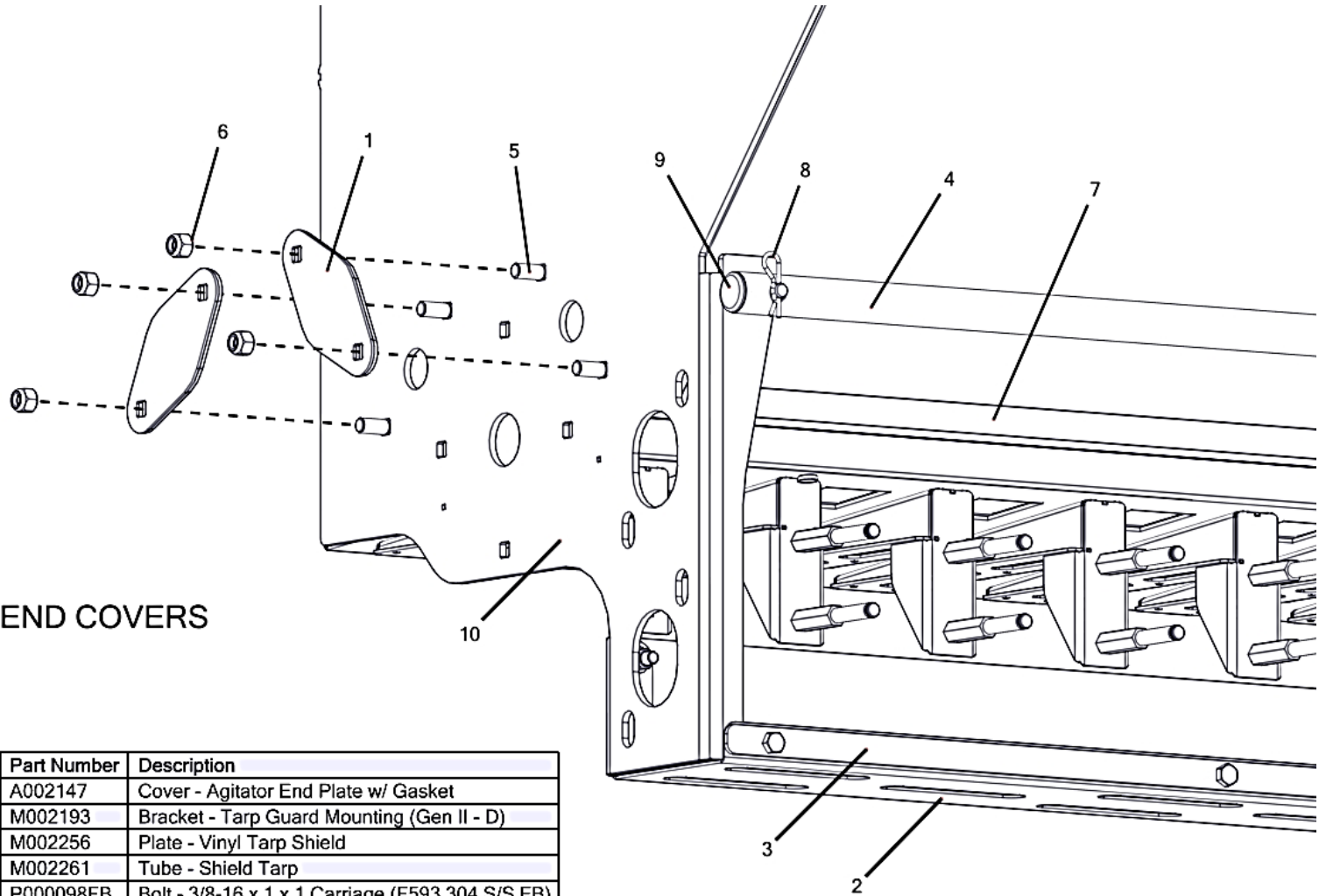
Item No.	Qty.	Part Number	Description
1	1	P002197	Tank - Gen II-D 4.5 Ton Poly (Montag Logo)
2	33	P002232	Decal - Anti-Slip Safety Tape (2" x 6") Black 36g
3	12	P002233	Decal - Anti-Slip Safety Tape (2" x 10") Black 36g



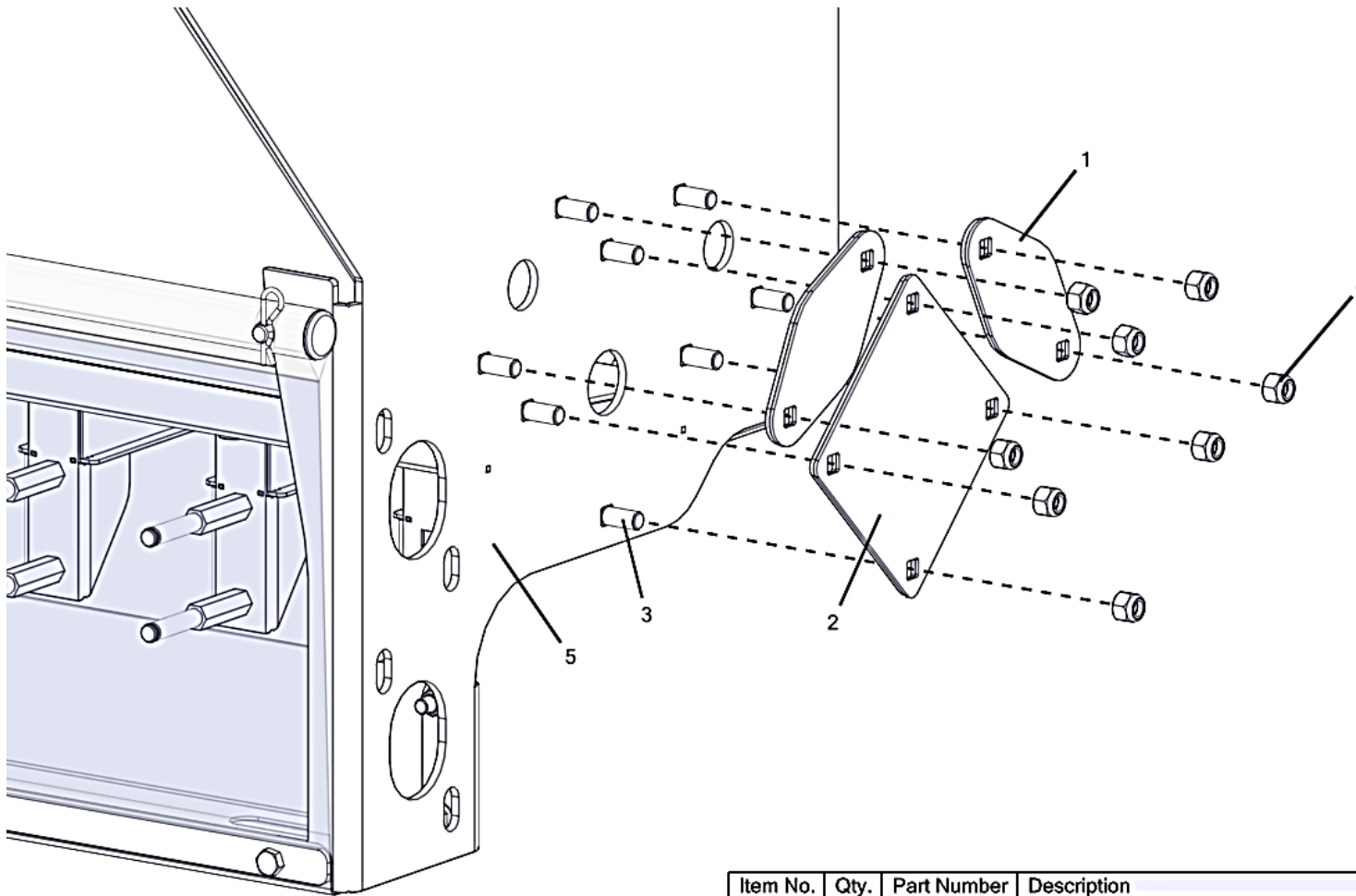
SHIELD AND BRACKET

Item No.	Qty.	Part Number	Description
1	1	M002193	Bracket - Tarp Guard Mounting (Gen II - D)
2	1	M002256	Plate - Vinyl Tarp Shield
3	1	M002261	Tube - Shield Tarp
4	4	P000109FB	Washer - 5/16" Flat (0.755" OD) (SS304 304 S/S FB)
5	11	P000711FB	Bolt - 5/16-18 x 1 x 0.875 Hex (F593 304 S/S FB)
6	2	P002007	Hairpin Clip - 3/8" x 1 5/8" S/S
7	2	P002055	Cap - 3/4" Plastic Pipe
8	1	P002068	Tarp - Clear Vinyl Shield
9	11	P002224FB	Nut - 5/16-18 Flange Nylon Lock (F594 316 S/S FB)
10	1	W002345	Trough - Gen II Poly Tank Meter

DRIVE END COVERS

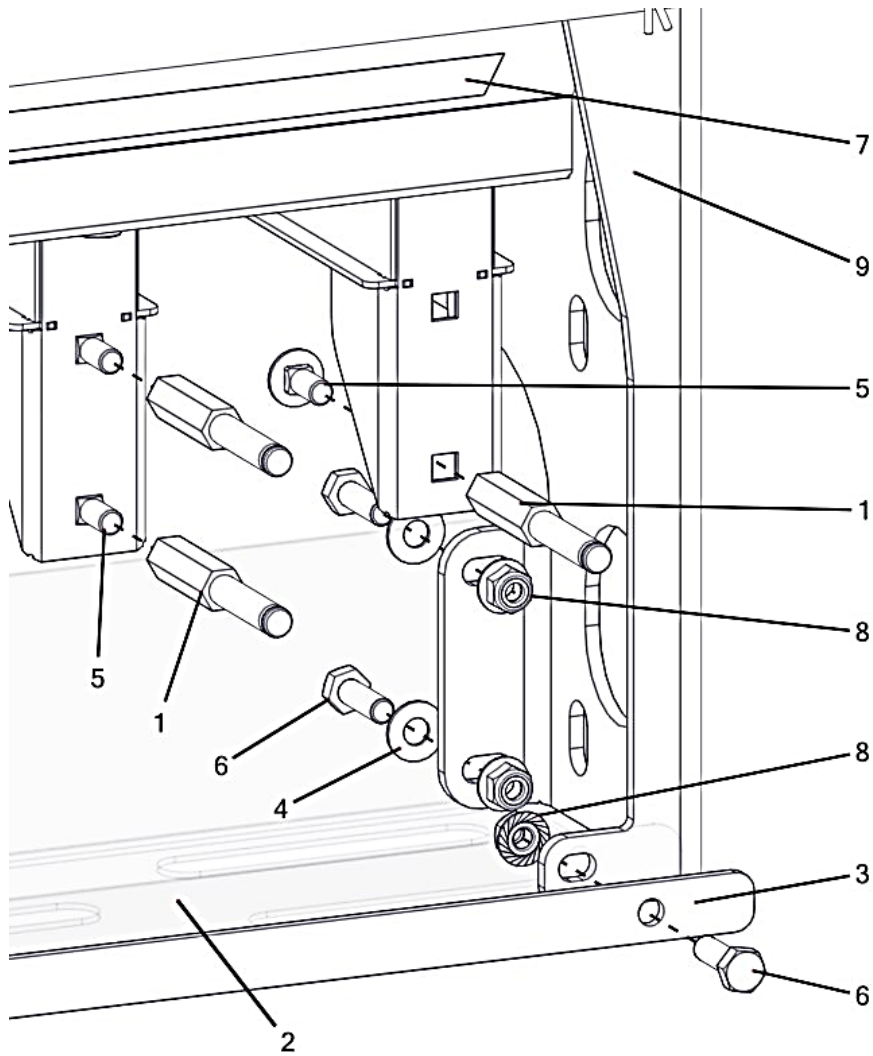


Item No.	Qty.	Part Number	Description
1	2	A002147	Cover - Agitator End Plate w/ Gasket
2	1	M002193	Bracket - Tarp Guard Mounting (Gen II - D)
3	1	M002256	Plate - Vinyl Tarp Shield
4	1	M002261	Tube - Shield Tarp
5	4	P000098FB	Bolt - 3/8-16 x 1 x 1 Carriage (F593 304 S/S FB)
6	4	P000105FB	Nut - 3/8-16 Hex Nylon Lock (F594 316 S/S FB)
7	1	P000867	Decal - Tank Row Label (A-R)
8	1	P002007	Hairpin Clip - 3/8" x 1 5/8" S/S
9	1	P002055	Cap - 3/4" Plastic Pipe
10	1	W002345	Trough - Gen II Poly Tank Meter



NON-DRIVE END COVERS

Item No.	Qty.	Part Number	Description
1	2	A002147	Cover - Agitator End Plate w/ Gasket
2	1	A002148	Cover - Slide Gate Cylinder Hole Plate w/ Gasket
3	8	P000098FB	Bolt - 3/8-16 x 1 x 1 Carriage (F593 304 S/S FB)
4	8	P000105FB	Nut - 3/8-16 Hex Nylon Lock (F594 316 S/S FB)
5	1	W002345	Trough - Gen II Poly Tank Meter

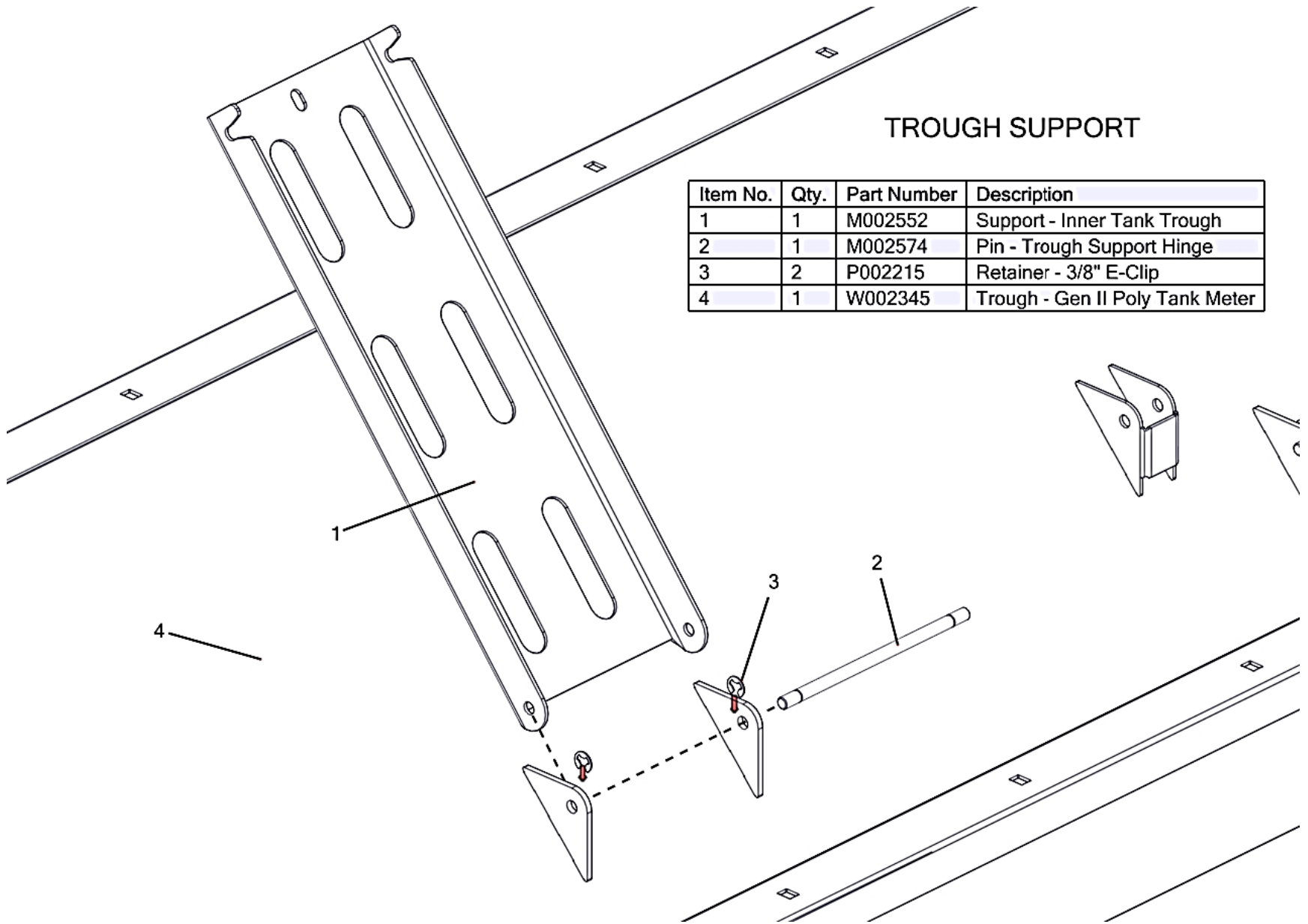


HANGER AND BRACKET HARDWARE

Item No.	Qty.	Part Number	Description
1	36	M002186	Pin - 1/2" Hex 3/8" Gearbox
2	1	M002193	Bracket - Tarp Guard Mounting (Gen II - D)
3	1	M002256	Plate - Vinyl Tarp Shield
4	4	P000109FB	Washer - 5/16" Flat (0.755" OD) (SS304 304 S/S FB)
5	36	P000527FB	Bolt - 5/16-18 x 0.75 x 0.75 Carriage (F593 304 S/S FB)
6	11	P000711FB	Bolt - 5/16-18 x 1 x 0.875 Hex (F593 304 S/S FB)
7	1	P000867	Decal - Tank Row Label (A-R)
8	11	P002224FB	Nut - 5/16-18 Flange Nylon Lock (F594 316 S/S FB)
9	1	W002345	Trough - Gen II Poly Tank Meter

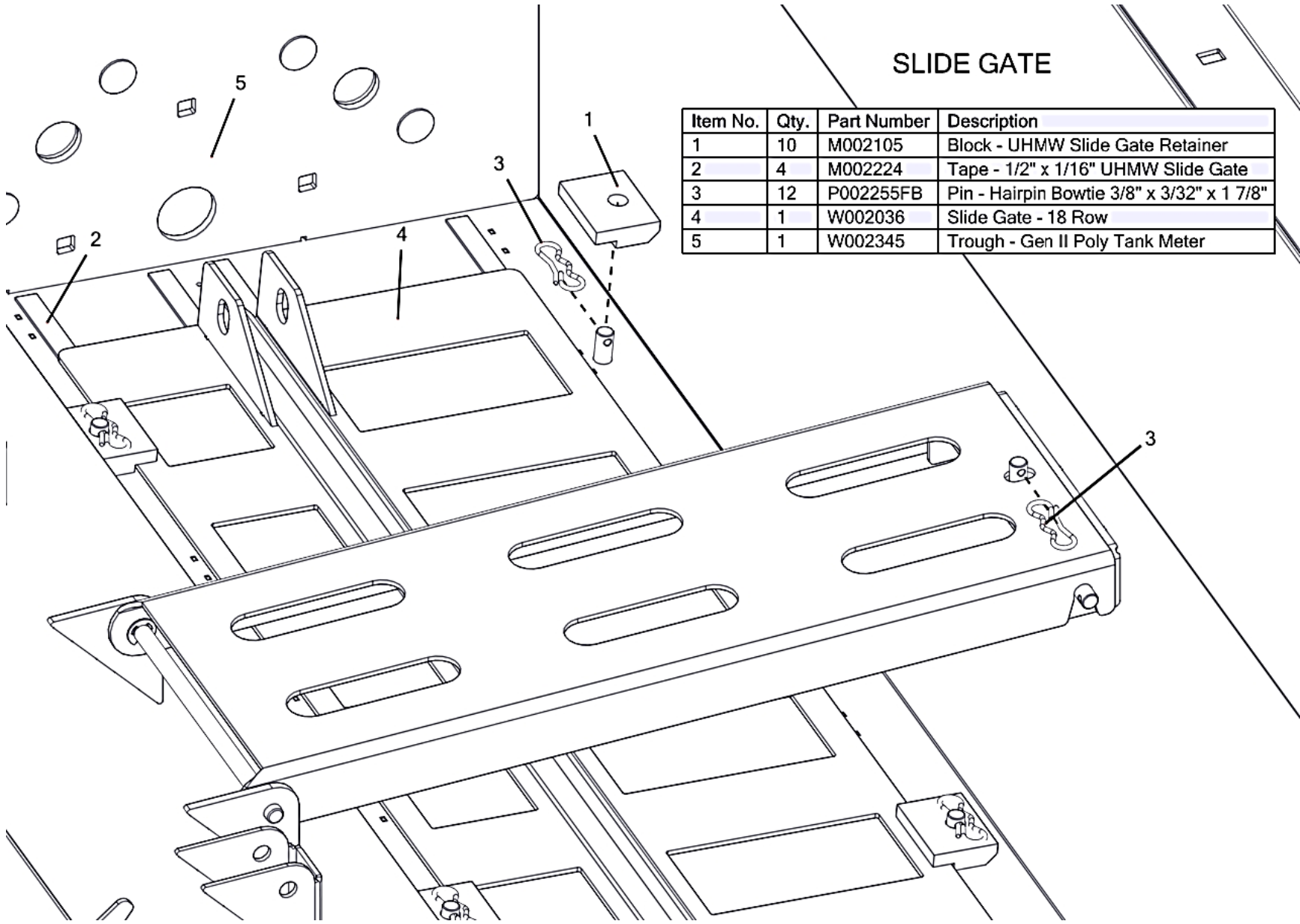
TROUGH SUPPORT

Item No.	Qty.	Part Number	Description
1	1	M002552	Support - Inner Tank Trough
2	1	M002574	Pin - Trough Support Hinge
3	2	P002215	Retainer - 3/8" E-Clip
4	1	W002345	Trough - Gen II Poly Tank Meter



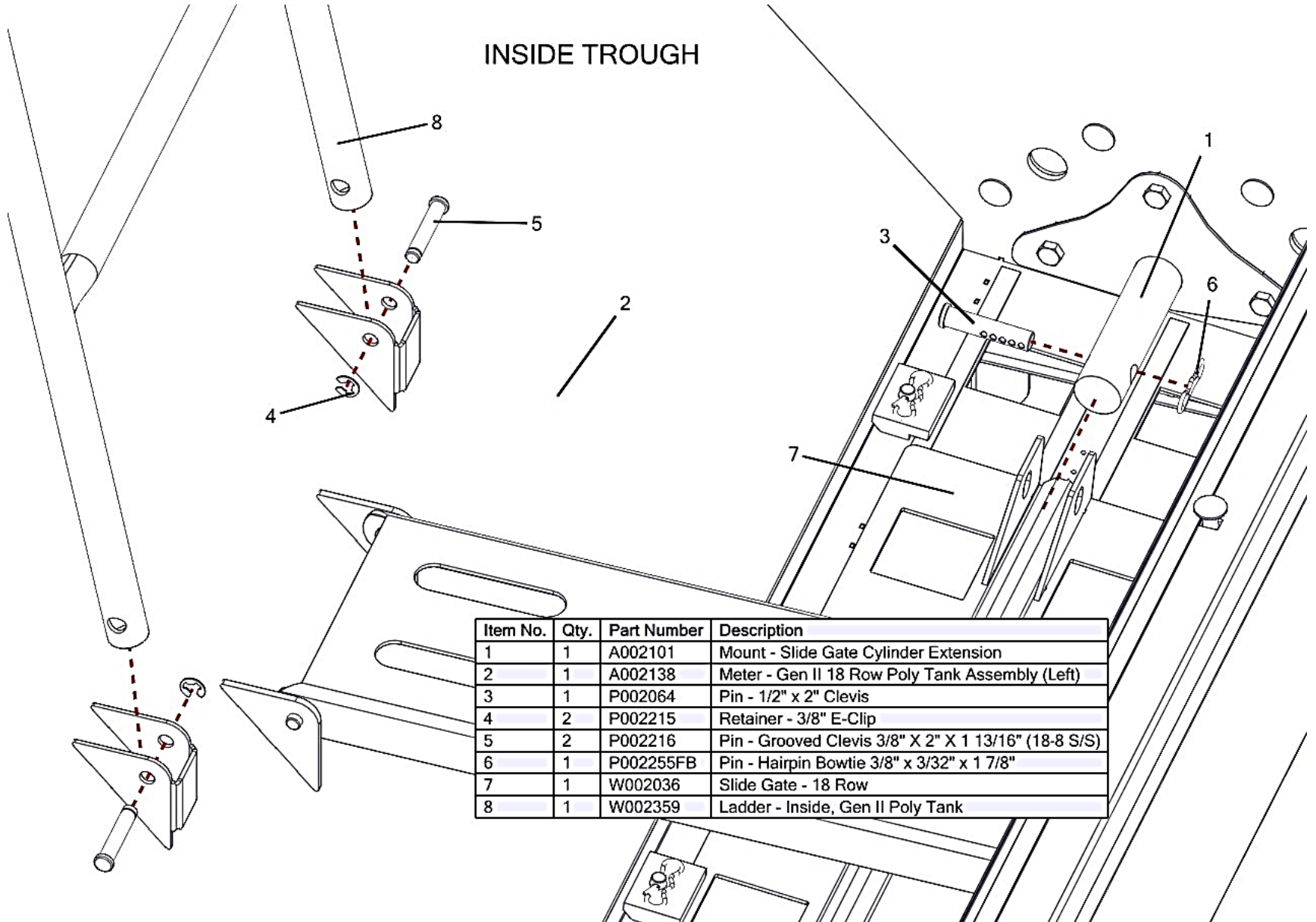
SLIDE GATE

Item No.	Qty.	Part Number	Description
1	10	M002105	Block - UHMW Slide Gate Retainer
2	4	M002224	Tape - 1/2" x 1/16" UHMW Slide Gate
3	12	P002255FB	Pin - Hairpin Bowtie 3/8" x 3/32" x 1 7/8"
4	1	W002036	Slide Gate - 18 Row
5	1	W002345	Trough - Gen II Poly Tank Meter



34

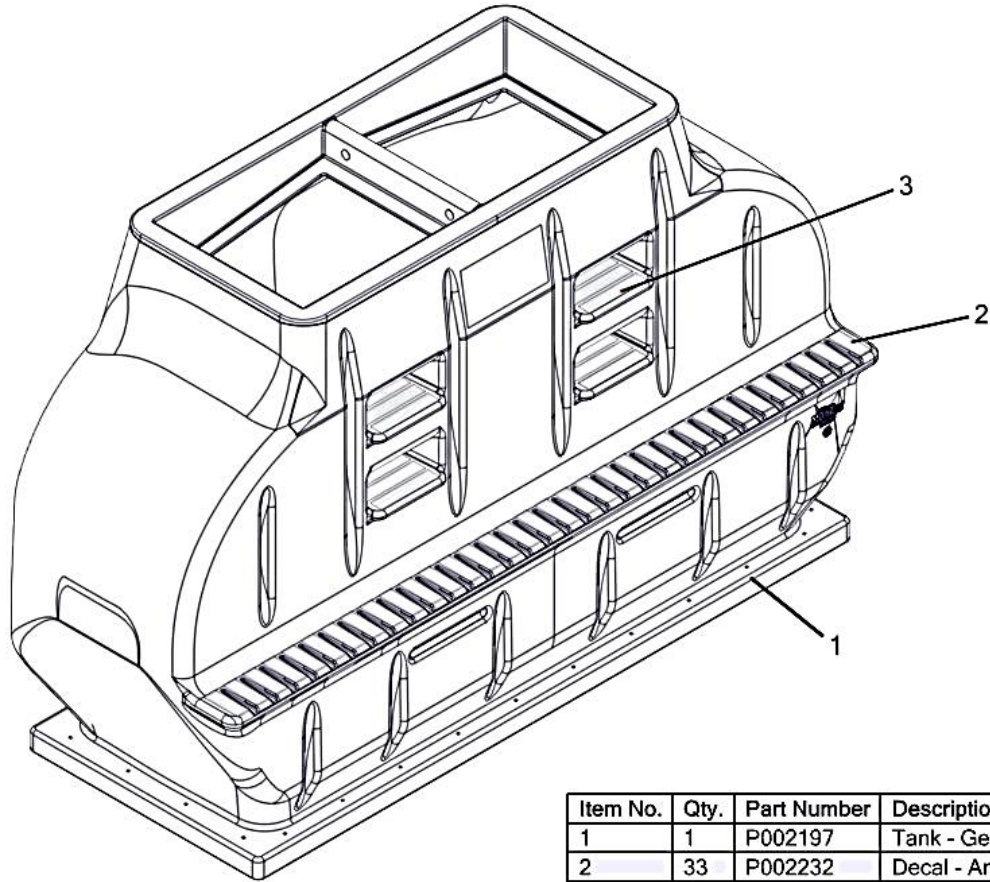
INSIDE TROUGH



Item No.	Qty.	Part Number	Description
1	1	A002101	Mount - Slide Gate Cylinder Extension
2	1	A002138	Meter - Gen II 18 Row Poly Tank Assembly (Left)
3	1	P002064	Pin - 1/2" x 2" Clevis
4	2	P002215	Retainer - 3/8" E-Clip
5	2	P002216	Pin - Grooved Clevis 3/8" X 2" X 1 13/16" (18-8 S/S)
6	1	P002255FB	Pin - Hairpin Bowtie 3/8" x 3/32" x 1 7/8"
7	1	W002036	Slide Gate - 18 Row
8	1	W002359	Ladder - Inside, Gen II Poly Tank



A002150 - Assembly - 4.5 Ton Poly Tank Gen II



Item No.	Qty.	Part Number	Description
1	1	P002197	Tank - Gen II-D 4.5 Ton Poly (Montag Logo)
2	33	P002232	Decal - Anti-Slip Safety Tape (2" x 6") Black 36g
3	12	P002233	Decal - Anti-Slip Safety Tape (2" x 10") Black 36g

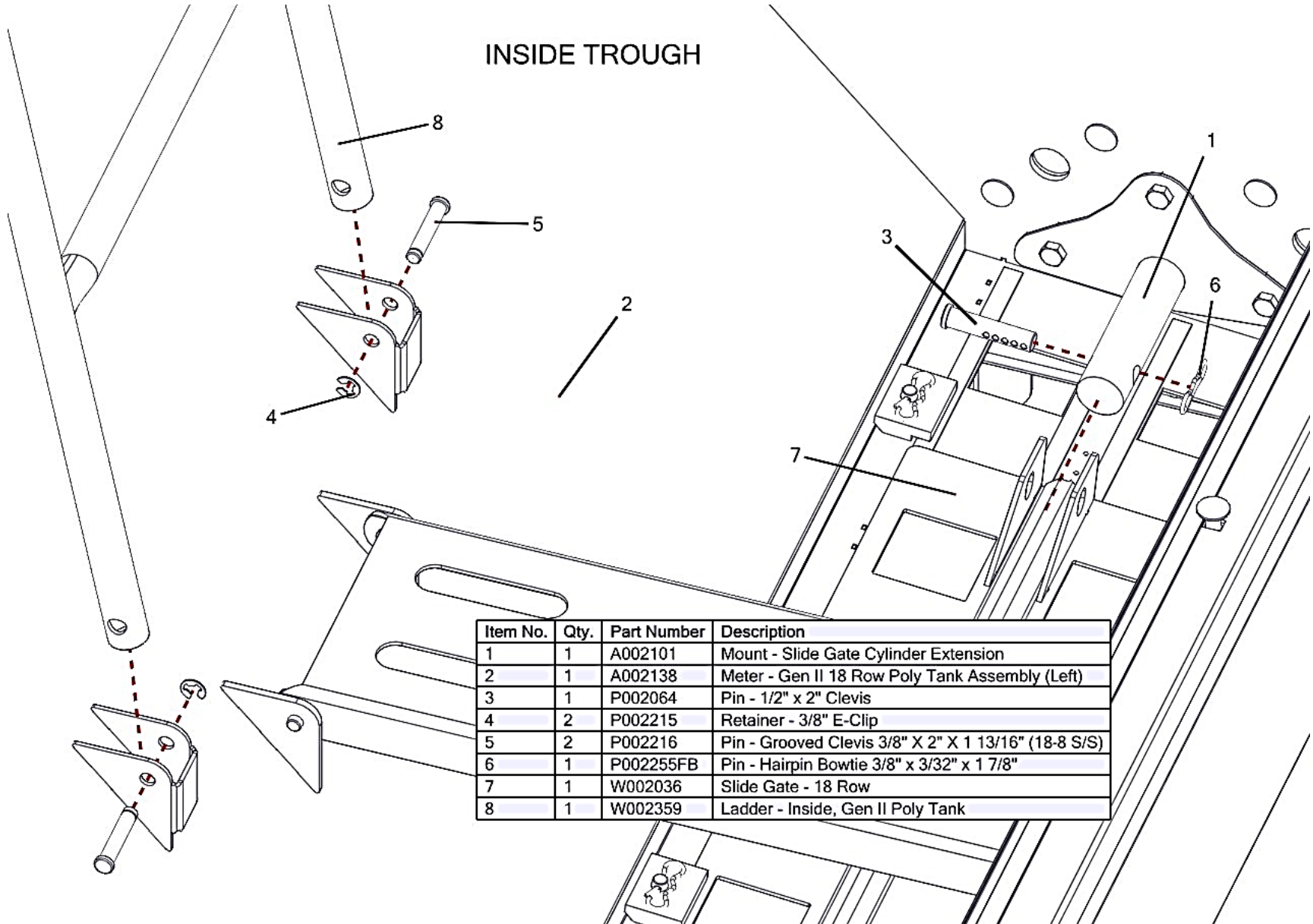




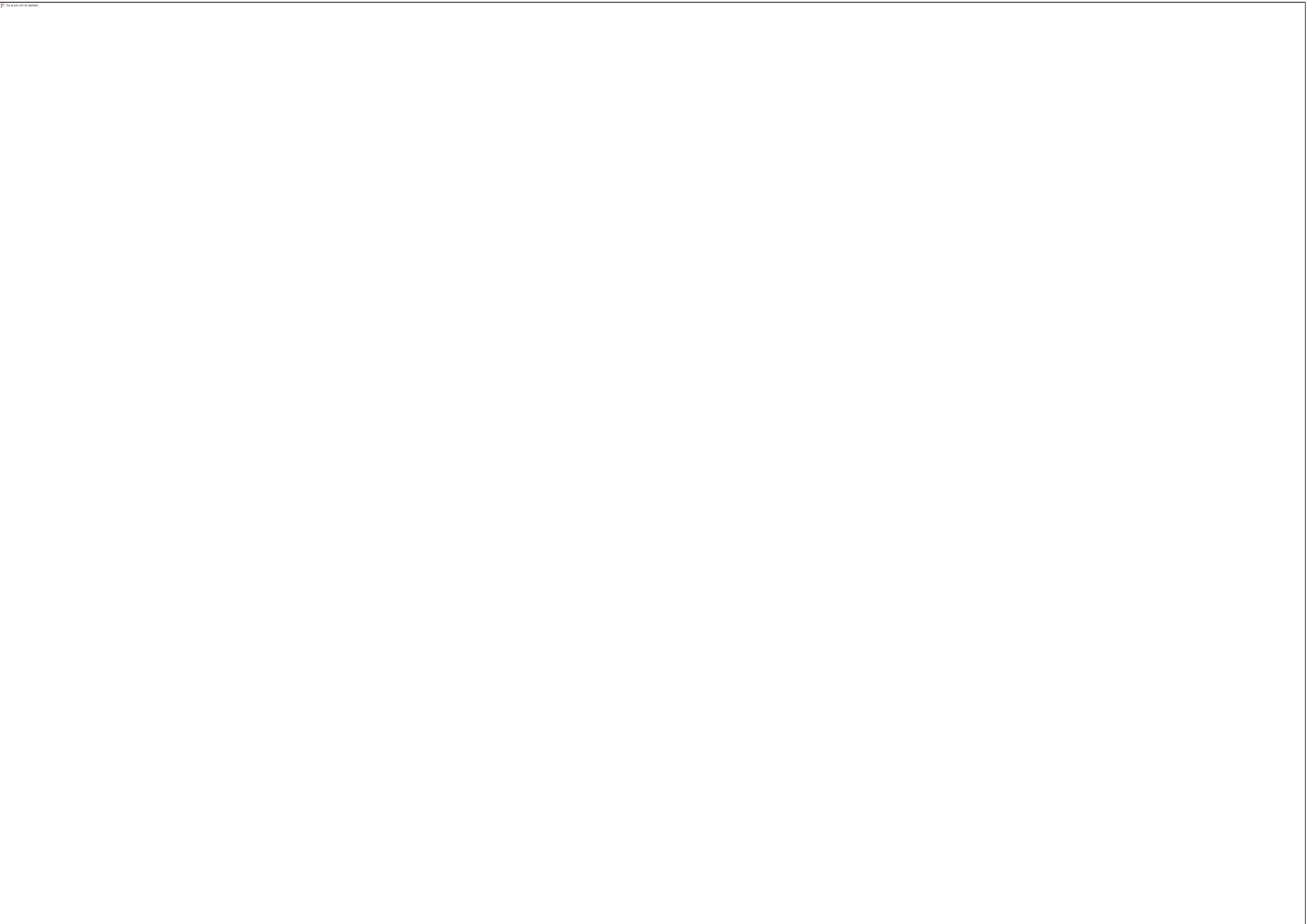




INSIDE TROUGH



Item No.	Qty.	Part Number	Description
1	1	A002101	Mount - Slide Gate Cylinder Extension
2	1	A002138	Meter - Gen II 18 Row Poly Tank Assembly (Left)
3	1	P002064	Pin - 1/2" x 2" Clevis
4	2	P002215	Retainer - 3/8" E-Clip
5	2	P002216	Pin - Grooved Clevis 3/8" X 2" X 1 13/16" (18-8 S/S)
6	1	P002255FB	Pin - Hairpin Bowtie 3/8" x 3/32" x 1 7/8"
7	1	W002036	Slide Gate - 18 Row
8	1	W002359	Ladder - Inside, Gen II Poly Tank



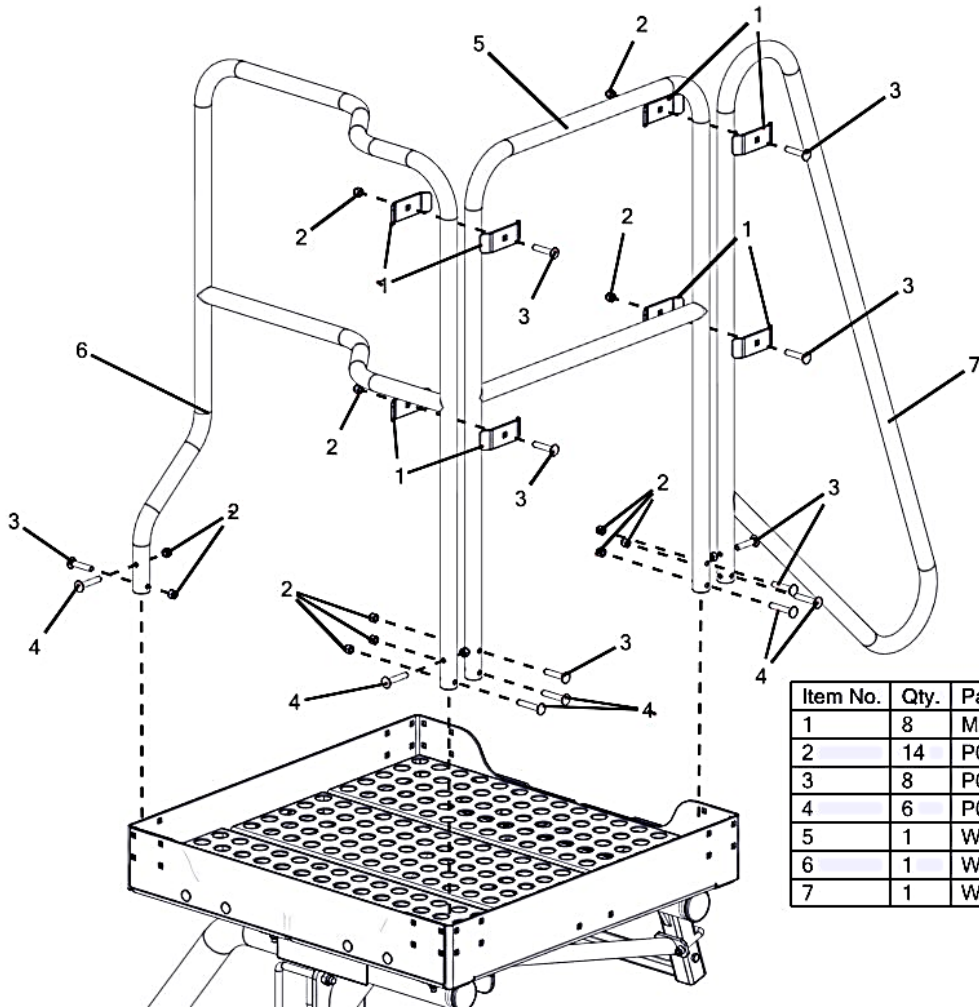






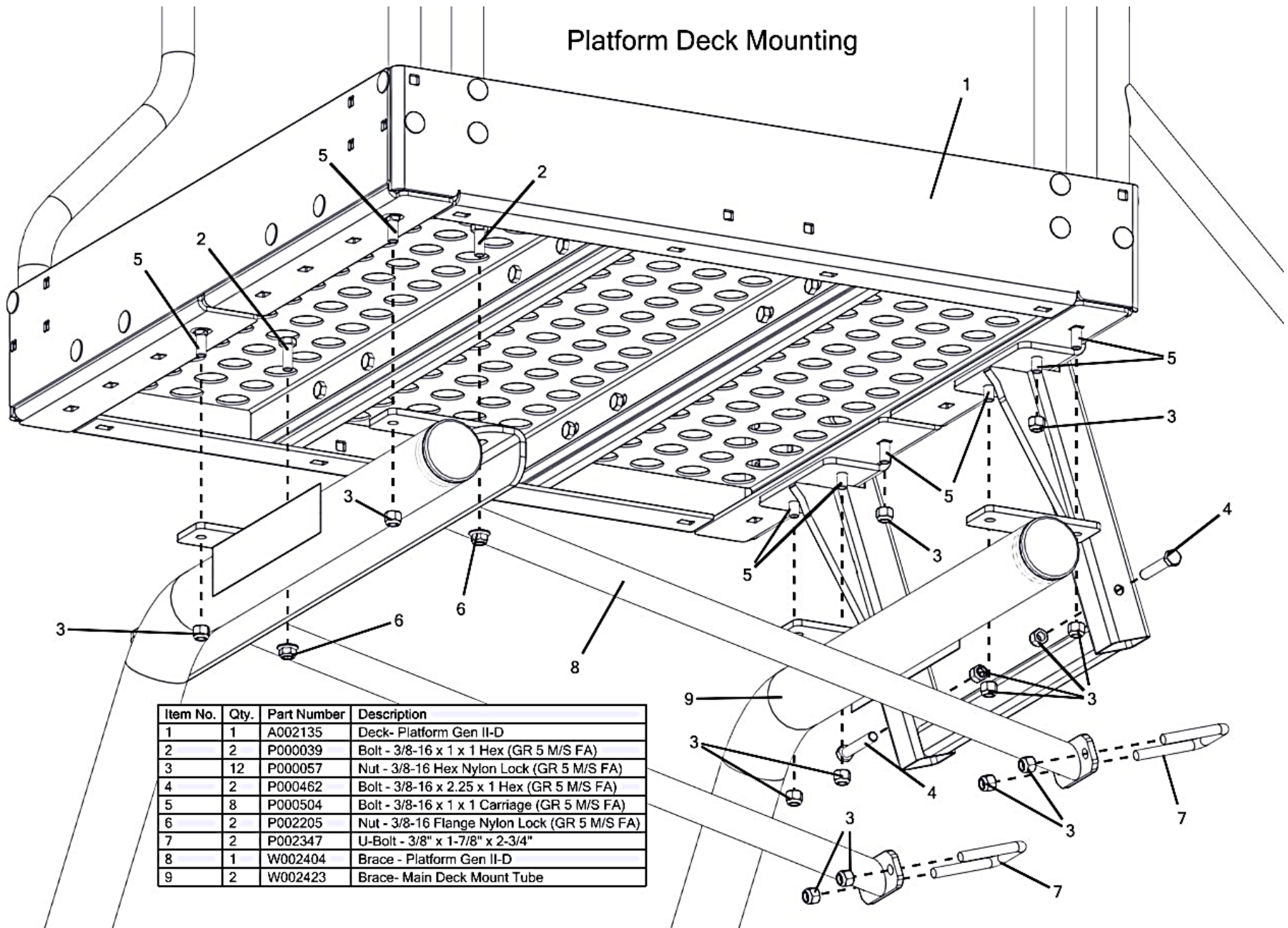
A002170 - Deck - Right Mount Platform Gen II 2016

51



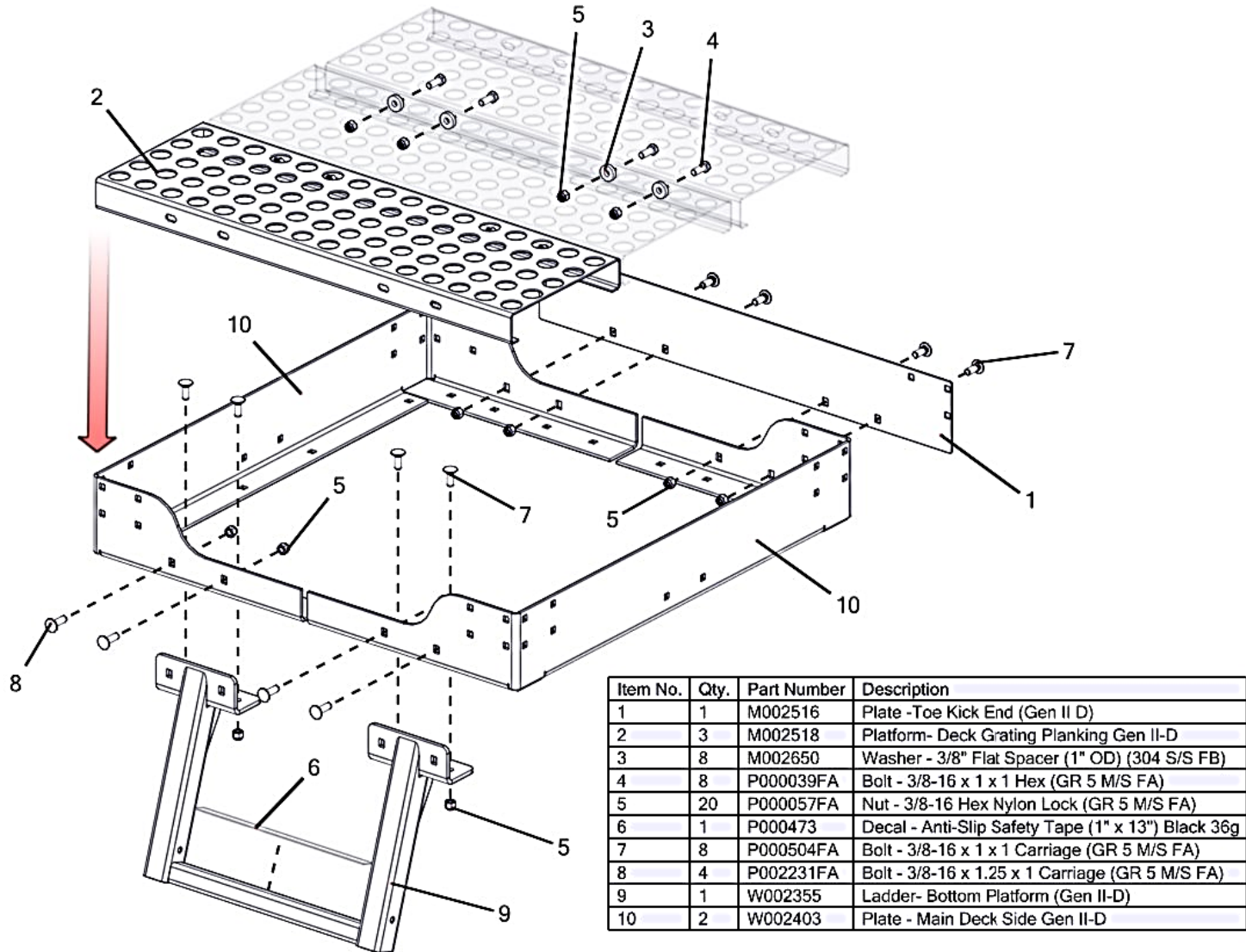
Item No.	Qty.	Part Number	Description
1	8	M002641	Clamp- Flat Rail Gen II
2	14	P000057	Nut - 3/8-16 Hex Nylon Lock (GR 5 M/S FA)
3	8	P000418	Bolt - 3/8-16 x 2 x 1 Carriage (GR 5 M/S FA)
4	6	P002234	Bolt - 3/8-16 x 2.25 x 1 Carriage (GR 5 M/S FA)
5	1	W002363	Rail - Straight Platform (Gen II-D)
6	1	W002379	Rail-Jogged Platform (LH) (Gen II-D)
7	1	W002384	Rail - Platform Grab (Gen II-D)

Platform Deck Mounting



Item No.	Qty.	Part Number	Description
1	1	A002135	Deck- Platform Gen II-D
2	2	P000039	Bolt - 3/8-16 x 1 x 1 Hex (GR 5 M/S FA)
3	12	P000057	Nut - 3/8-16 Hex Nylon Lock (GR 5 M/S FA)
4	2	P000462	Bolt - 3/8-16 x 2.25 x 1 Hex (GR 5 M/S FA)
5	8	P000504	Bolt - 3/8-16 x 1 x 1 Carriage (GR 5 M/S FA)
6	2	P002205	Nut - 3/8-16 Flange Nylon Lock (GR 5 M/S FA)
7	2	P002347	U-Bolt - 3/8" x 1-7/8" x 2-3/4"
8	1	W002404	Brace - Platform Gen II-D
9	2	W002423	Brace- Main Deck Mount Tube

A002135 - Deck - Platform Gen II-2016



53

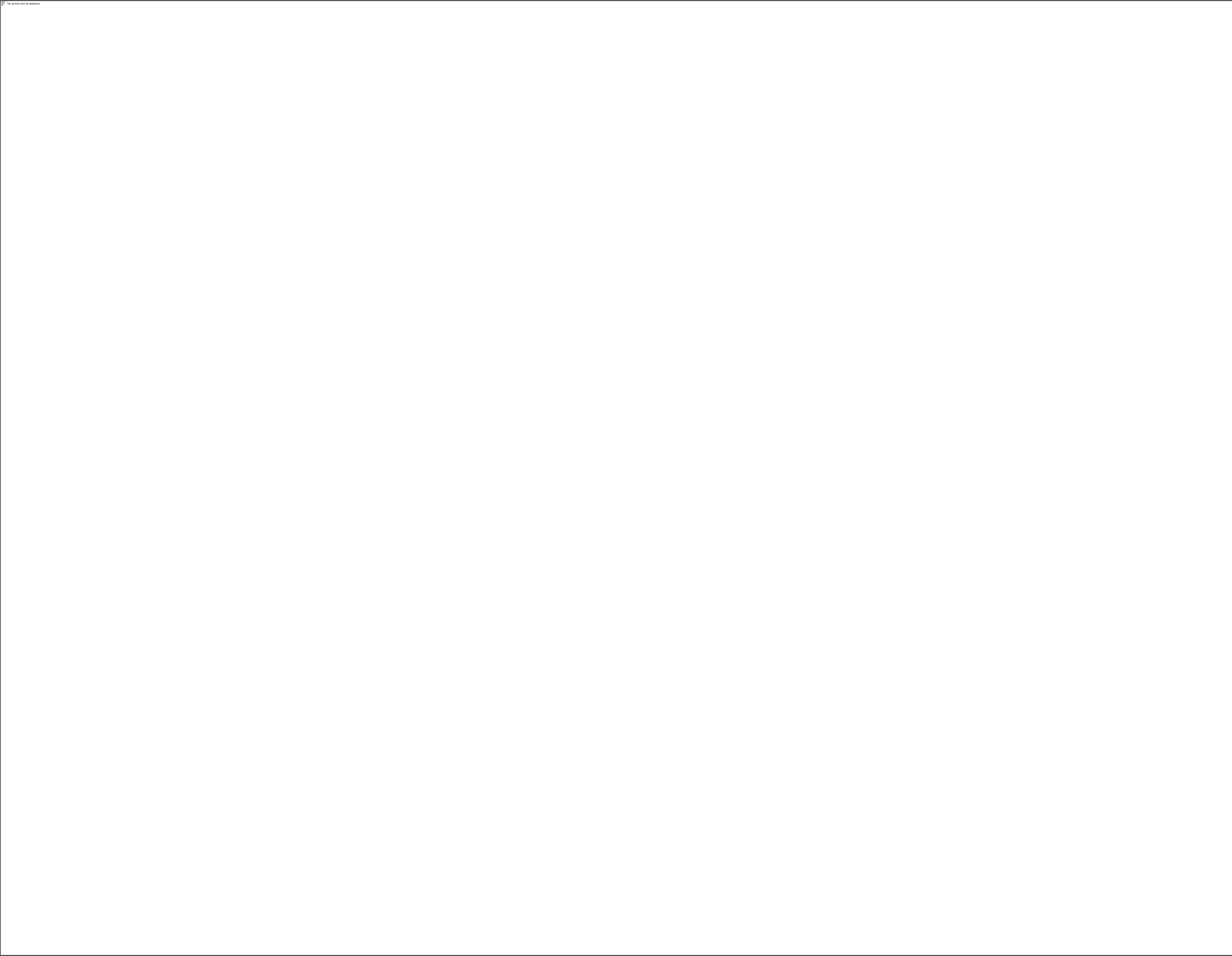
Platform Mounting Brackets

54







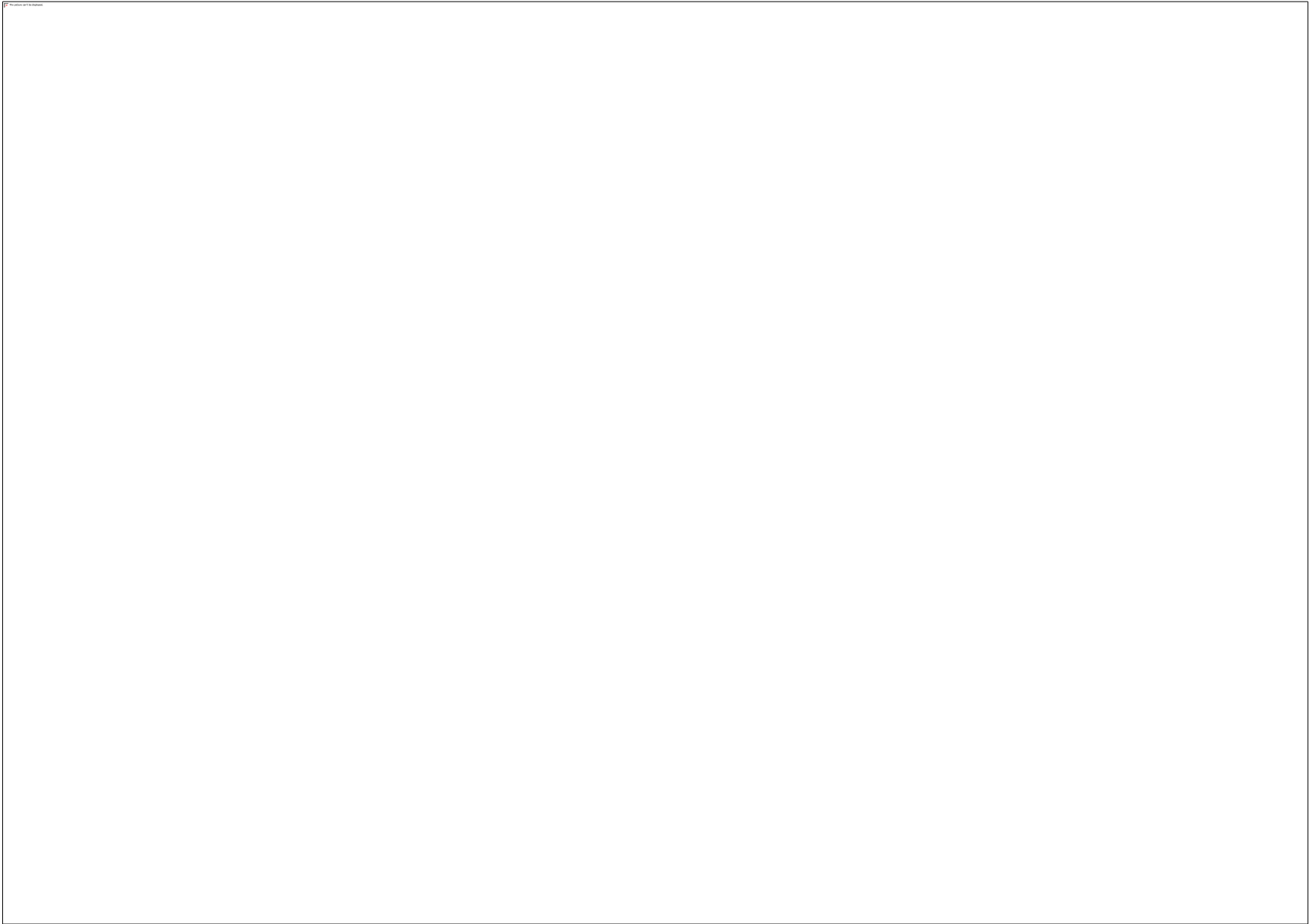






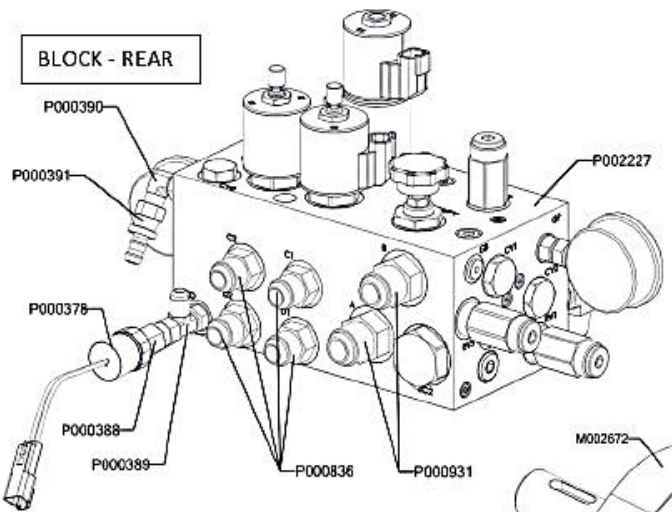




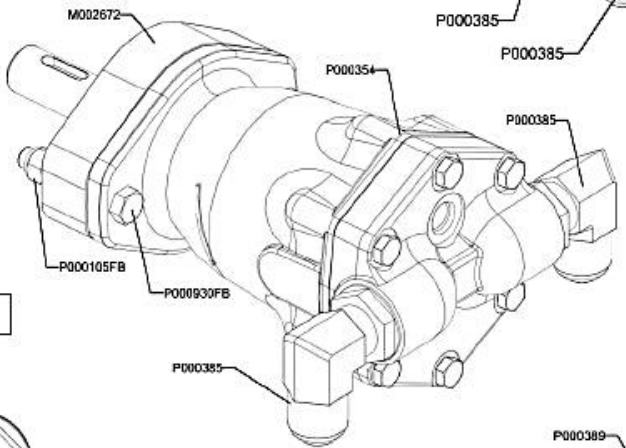
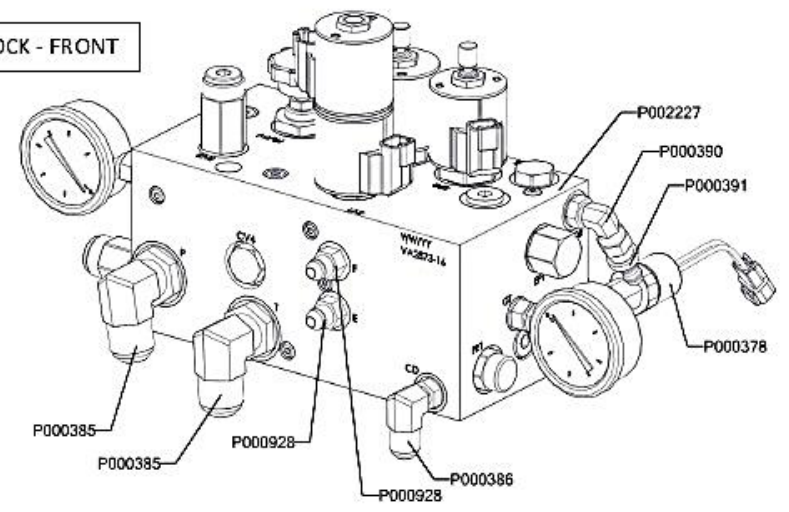




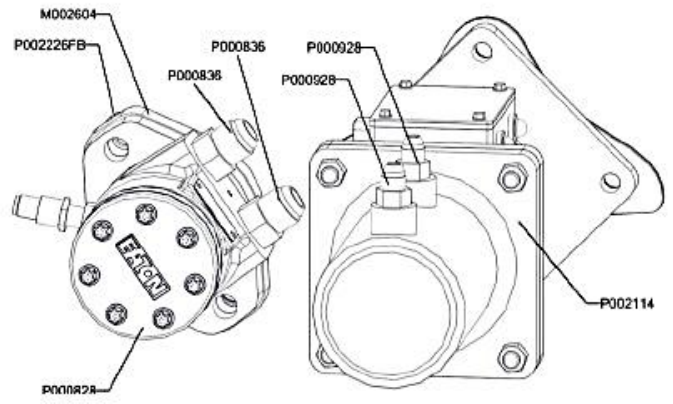
BLOCK - REAR



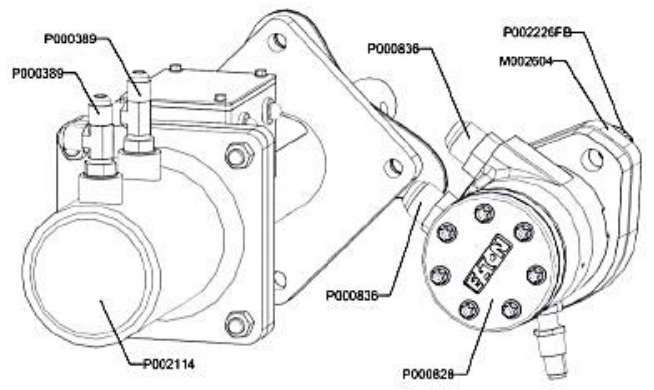
BLOCK - FRONT



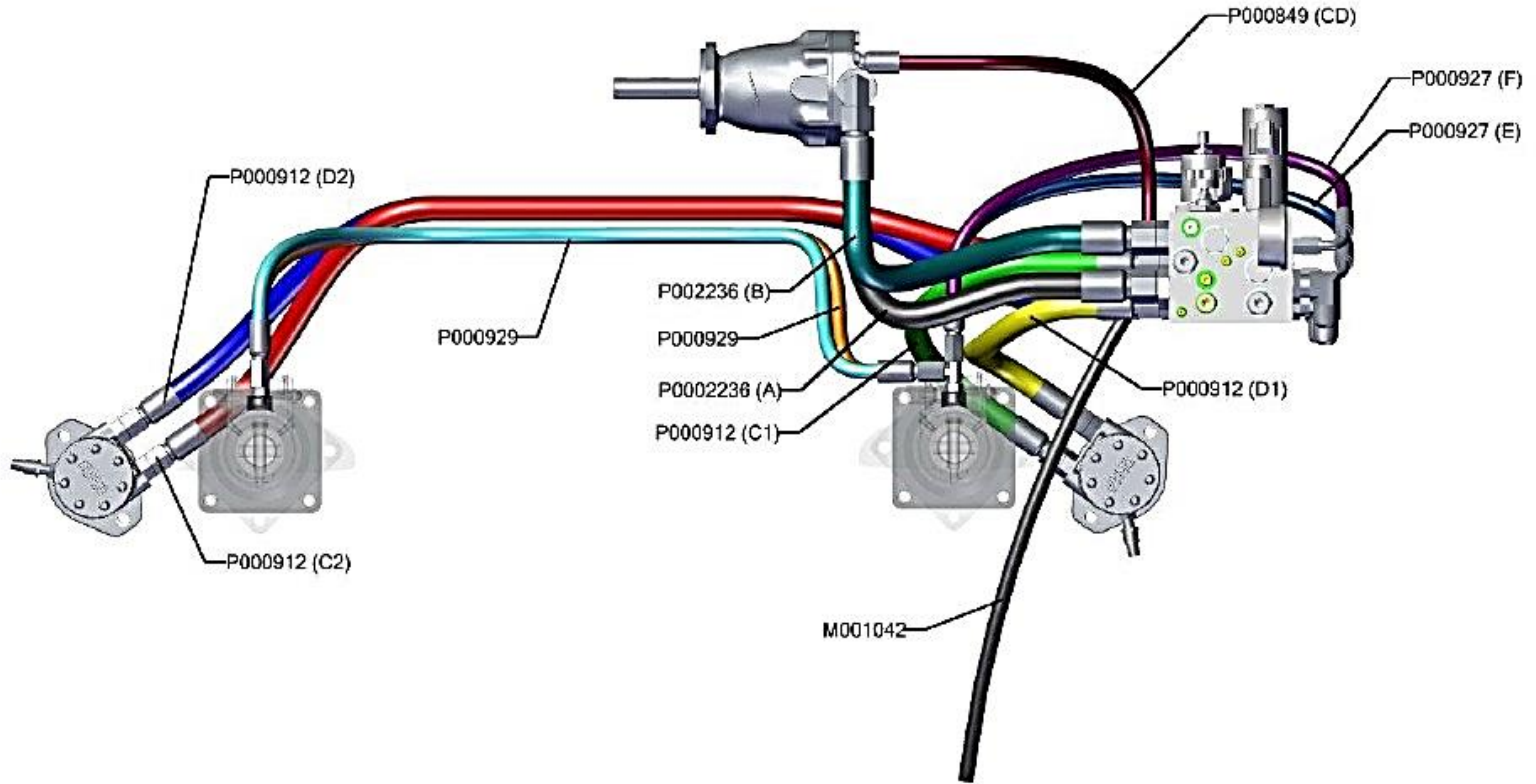
RIGHT SIDE MOTOR AND SLIDE GATE CYLINDER

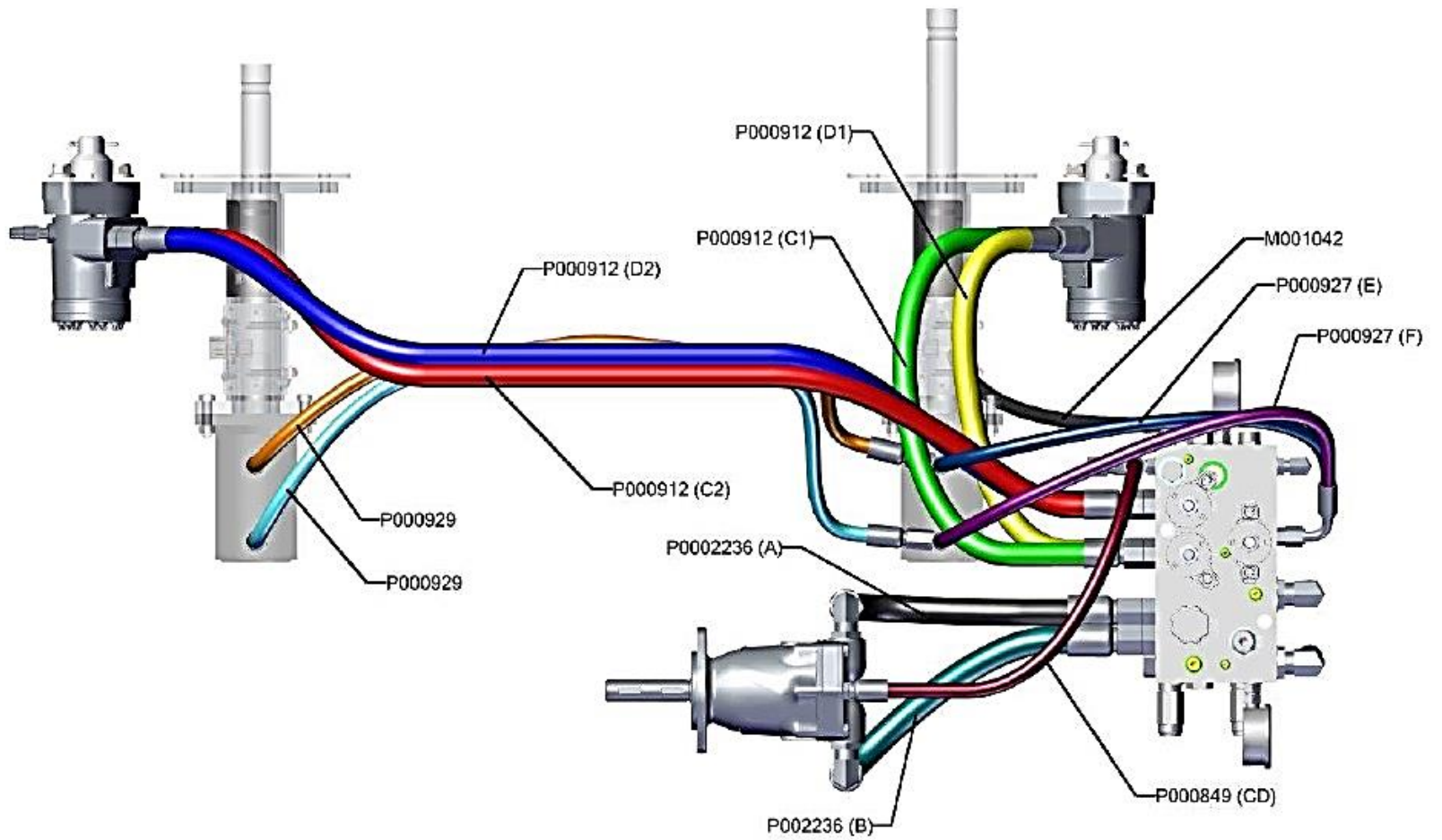


LEFT SIDE MOTOR AND SLIDE GATE CYLINDER

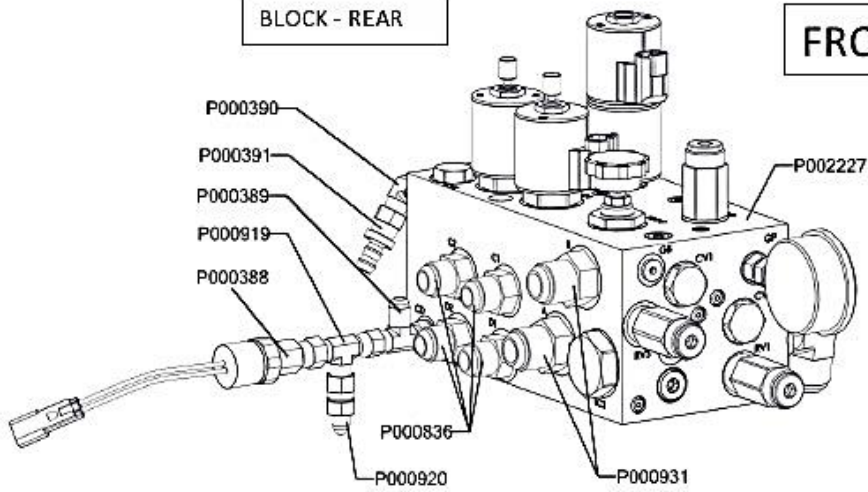


FAN MOTOR

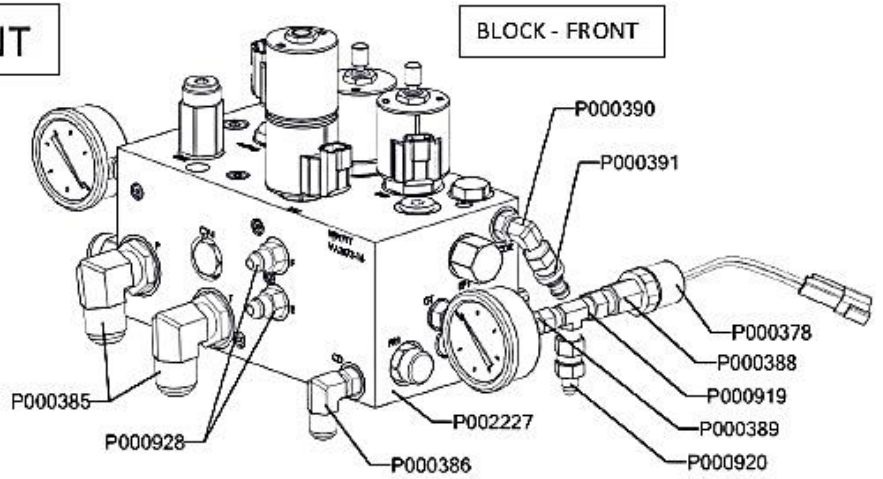




BLOCK - REAR

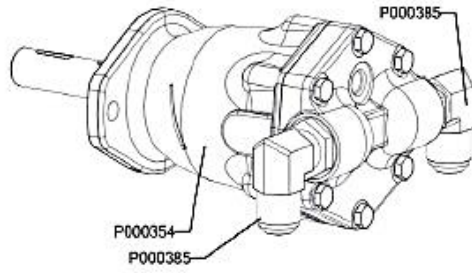
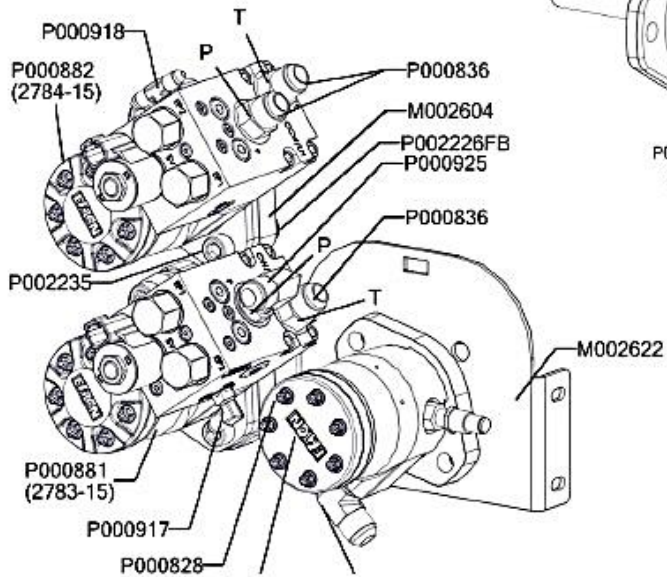


FRONT



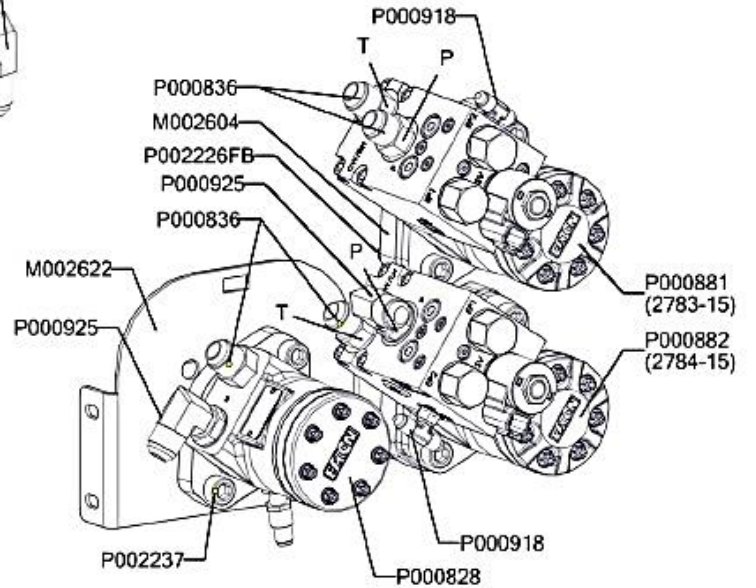
BLOCK - FRONT

FRONT RIGHT SIDE MOTORS



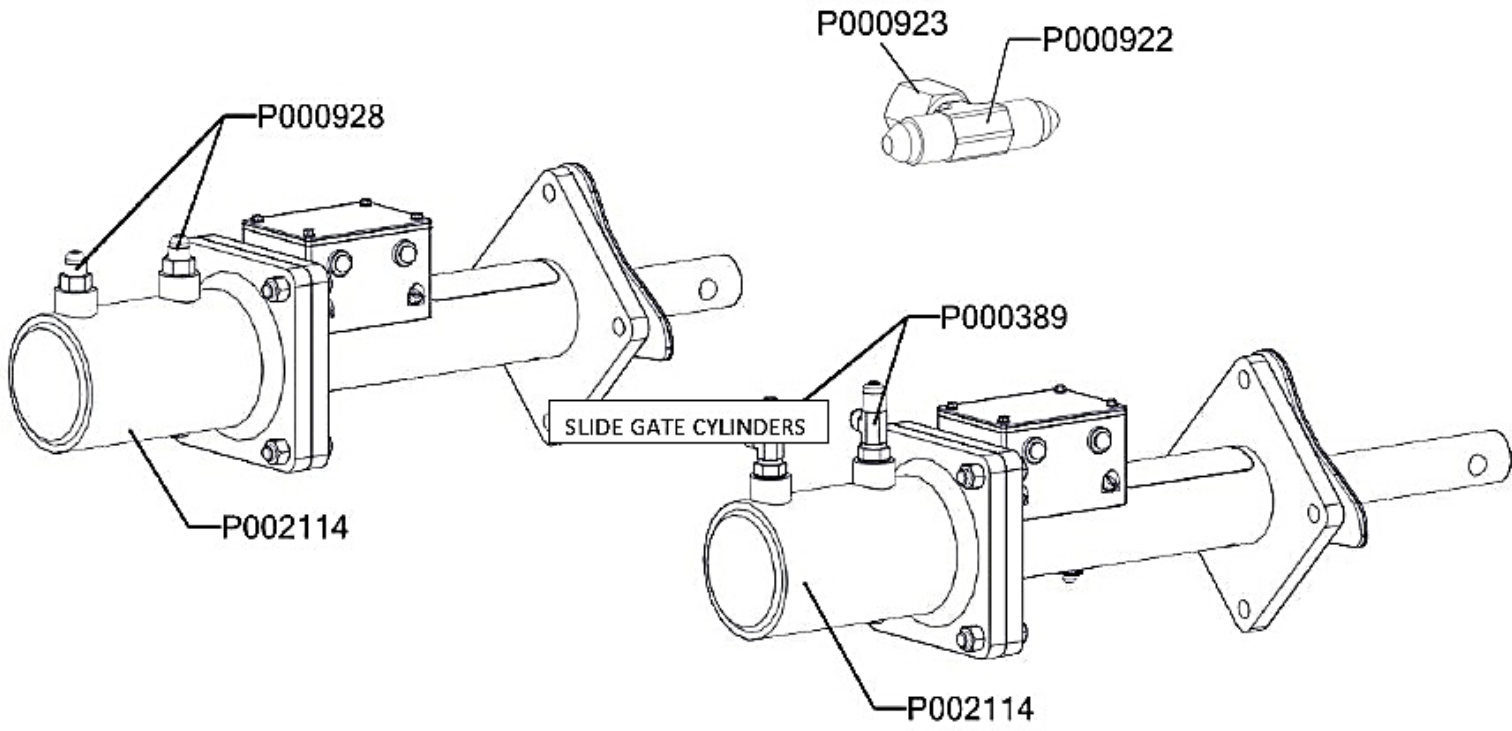
FAN MOTOR

FRONT LEFT SIDE MOTORS

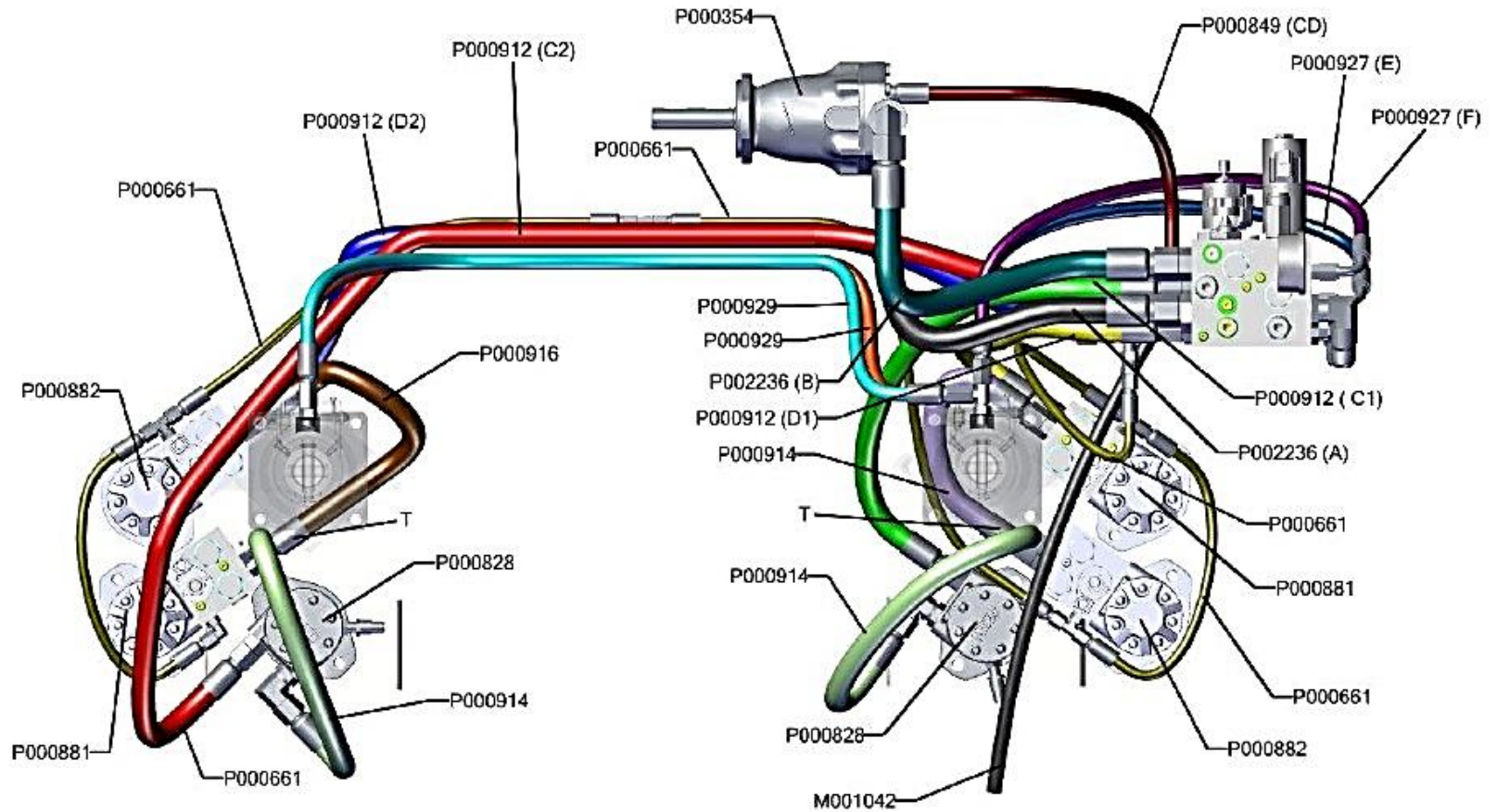


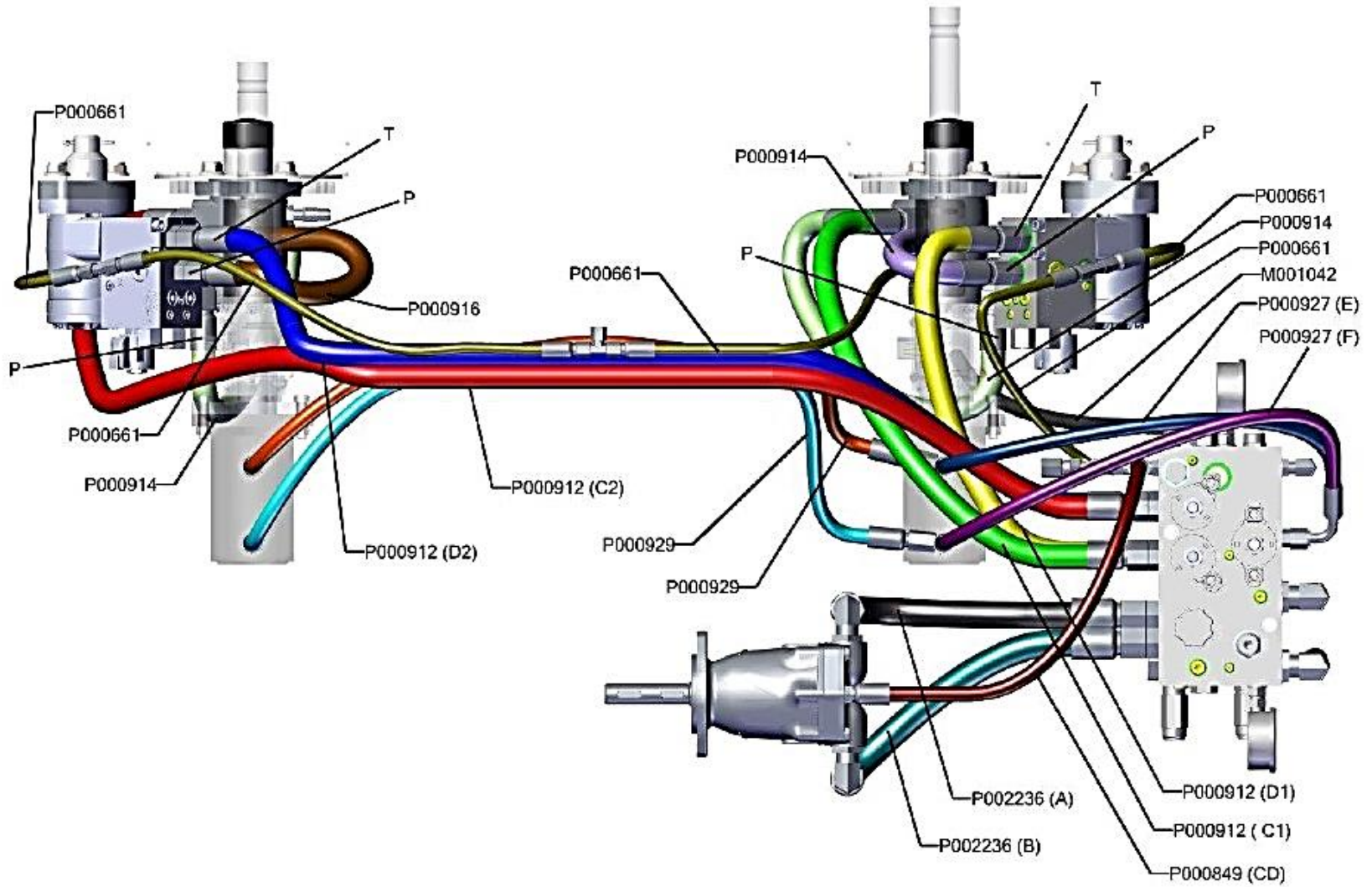
FRONT

CENTER TEE AND CAP



72







Dry Rate Controller Parts



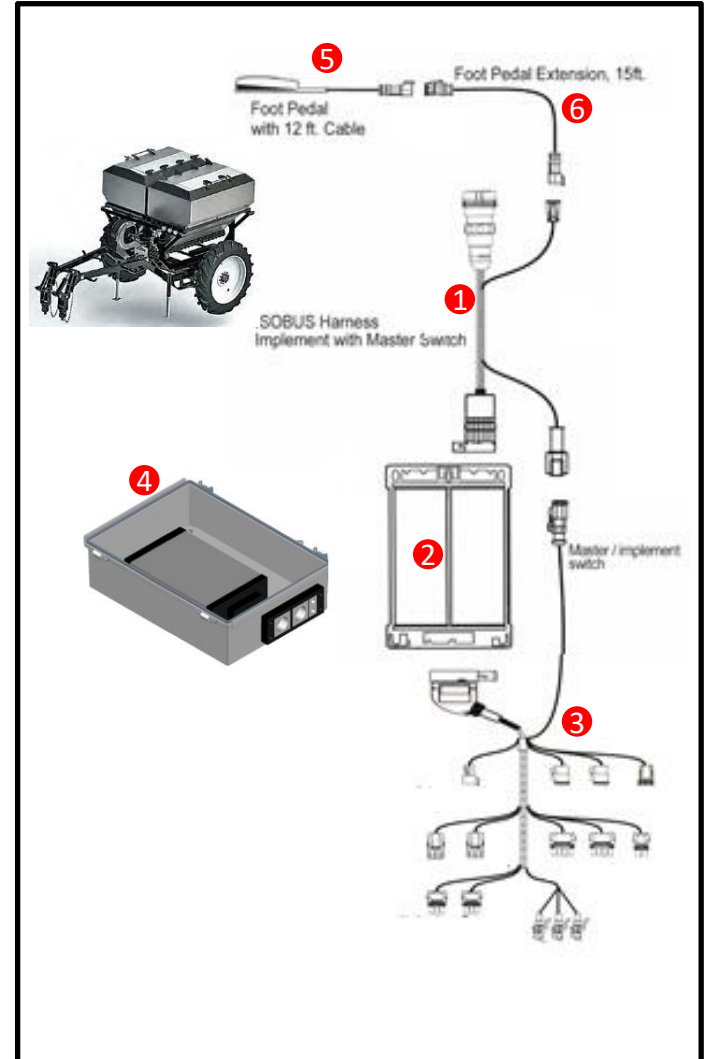
Part Number:

K002009

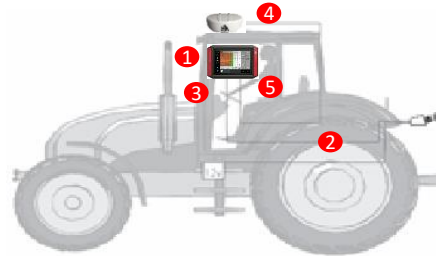
Description:

Kit – Montag Dry Rate Controller Base
includes P002335, P002337, P002339 and P002343

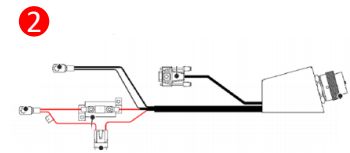
- 1
 P002410
 P002334
 P002395
 Harness - ISOBUS to ECU Cable (13')
 Harness - ISOBUS to ECU Cable (28')
 Harness – ISOBUS to ECU Cable (43')
- 2
 P002335
 ECU – Montag Dry Rate Controller
- 3
 P002337
 Harness – Montag Dry RC (Gen II – 2 Bin)
- 4
 P002339
 P002406
 Enclosure – Montag/Mueller 2 ECU
 Harness - ISO Tee (ECU, Digi-Star/Tractor 16 Pin ISO Plug)
 (not shown)
- 5
Optional:
6
 P002340
 P002341
 Switch – Remote Foot Pedal Master
 Harness - Foot Pedal Master Switch Extension (15')
- Extension:**
 P002423
 P002424
 P002425
 Harness – ISOBUS TO ISOBUS Cable Extension (13')
 Harness – ISOBUS TO ISOBUS Cable Extension (28')
 Harness – ISOBUS TO ISOBUS Cable Extension (43')



Monitor / Display Parts



Touch 800



3

4



5



Part Number:

K002008

Description:

Kit – Mueller Touch 800 ISO & Display (UT & TC)
includes P002323, P002326, and P002328

K002018

Kit – Mueller Touch 800 and Ram Mount
includes P002323 and P002328

Displays

1 P002323

Display – Mueller Touch 800 UT & TC

Apps

P002324

App – Touch 800 Section Control Unlock
(REQUIRES P002398)

P002398

App – Touch 800 Track Leader Unlock

Tractor Harness

2 P002326

Harness – Mueller Tractor ISOBUS Backbone Kit

3 P002382

Harness - Mueller Display To CPC In Cab

DGPS

4 P002407

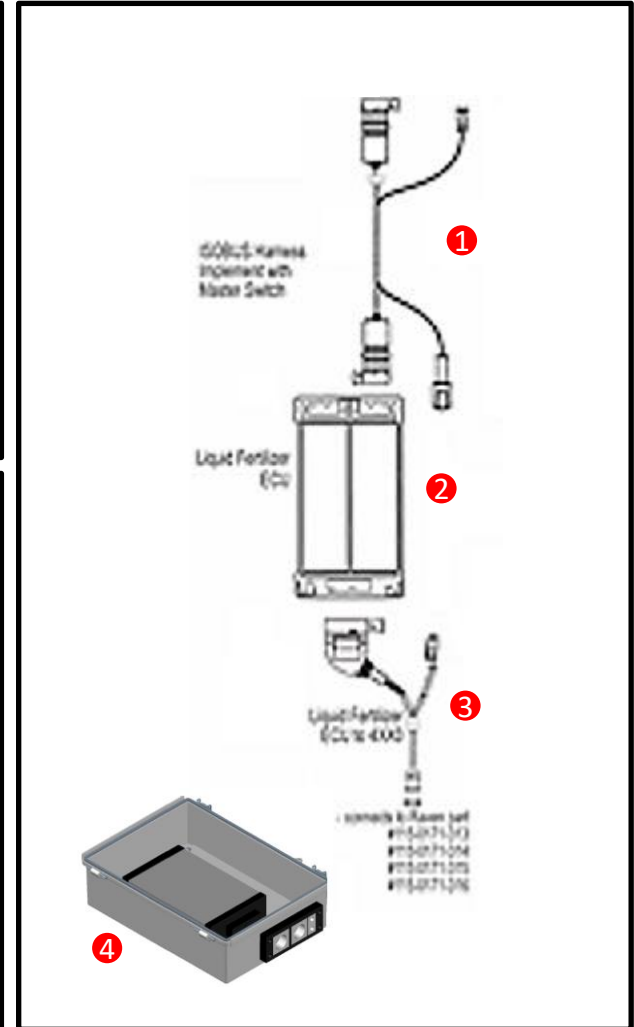
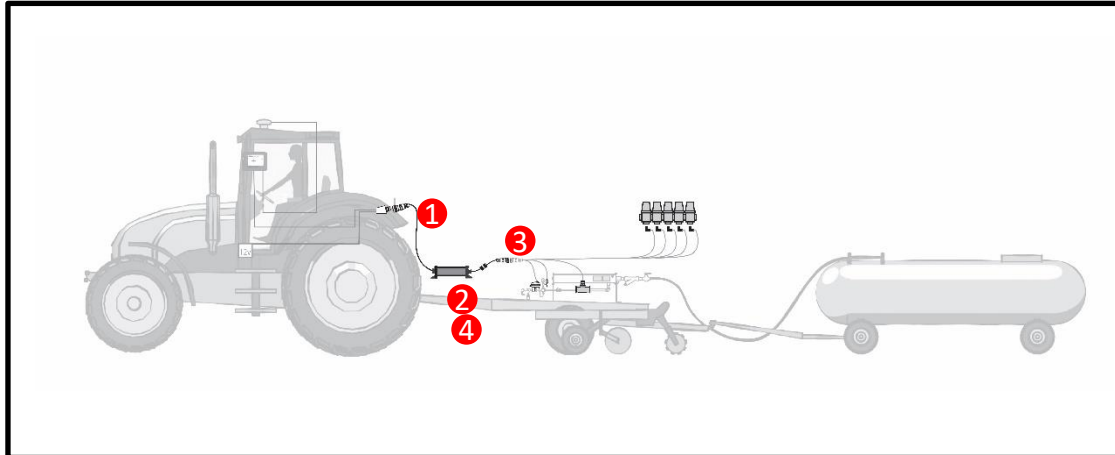
Receiver – Hemisphere w/cable GPS

Accessories

5 P002328

Mount – Mueller Ram

Liquid Rate Controller Parts



94

Part Number:

Description:

K002010 Kit – Montag NH3 Rate Controller Add-on includes P002339, P002345, P002348, and P002350

- ① P002345 Harness – Main ISOBUS Backbone Extension (21')
- ② P002348 ECU – Montag NH3 Rate Controller
- ③ P002350 Harness – Montag NH3 ECU To Raven 37 Pin
- ④ P002339 Enclosure – Montag/Mueller 2 ECU

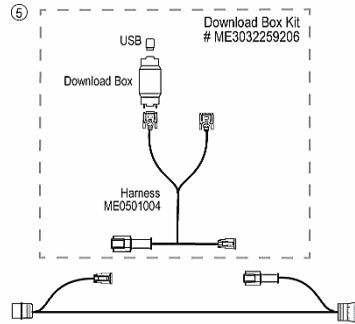
Rate Controller Accessories



- | Part Number: | Description: |
|---------------------|---|
| 1 P002351 | Sensor - Mueller Radar Speed |
| 2 P002265 | Sensor – Fan Pressure 0-15 PSI |
| 3 P002391 | Sensor – Implement Height Switch Sensor |

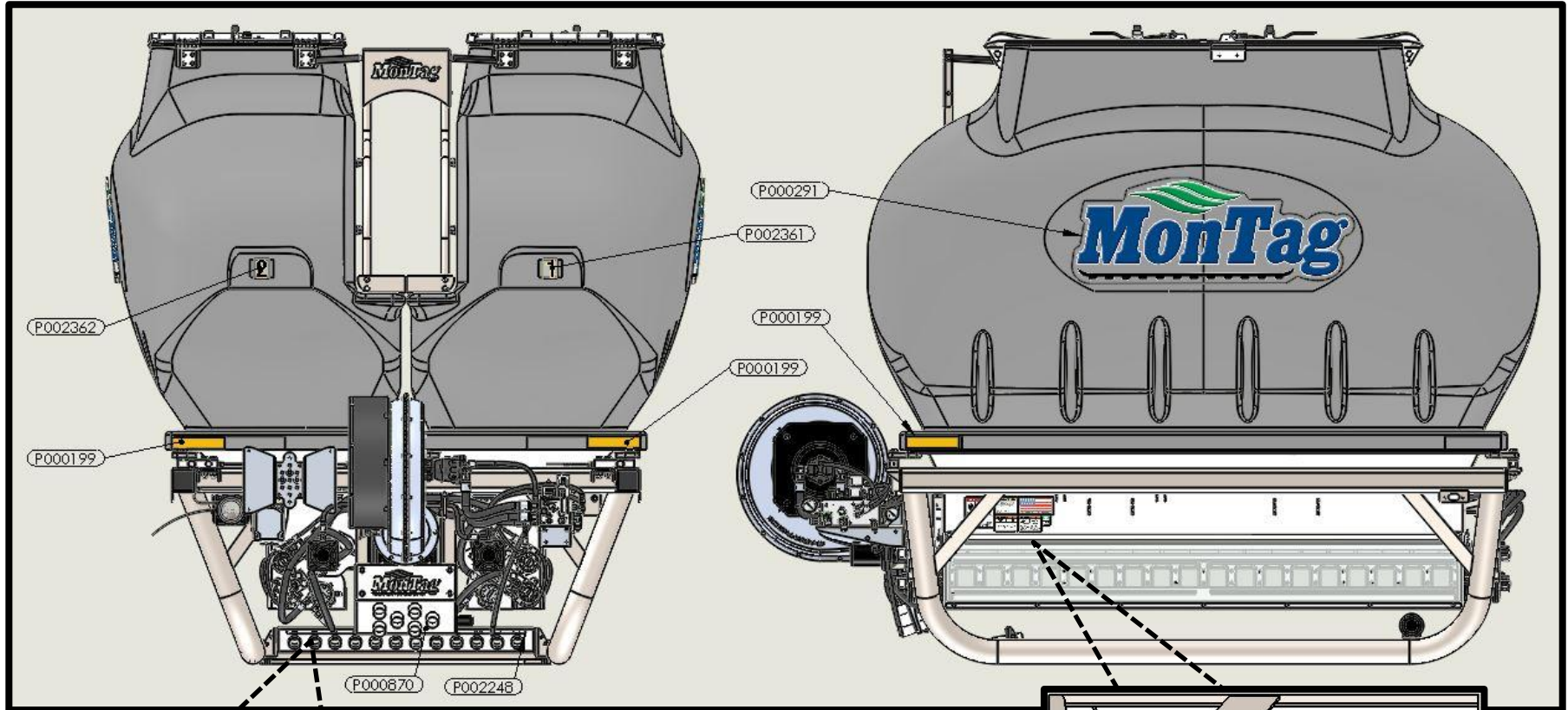


ECU UPDATE TOOL

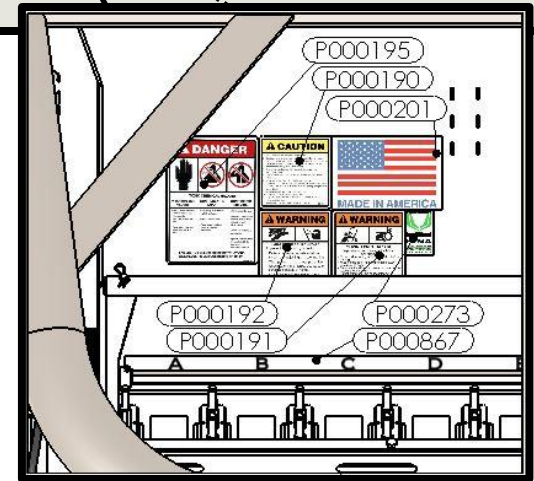
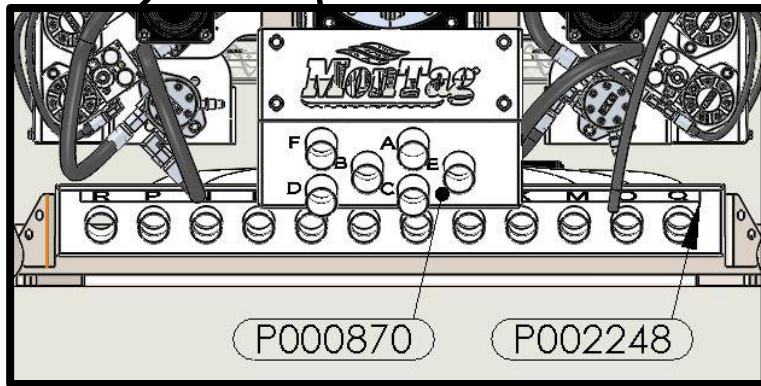


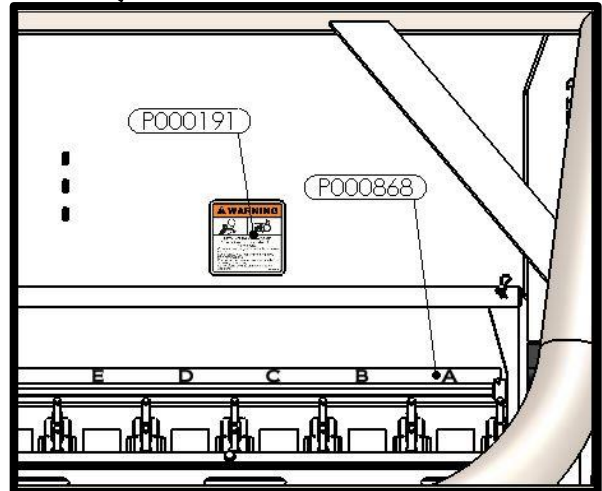
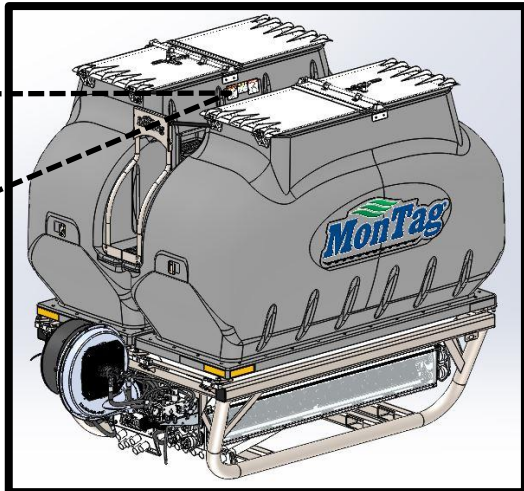
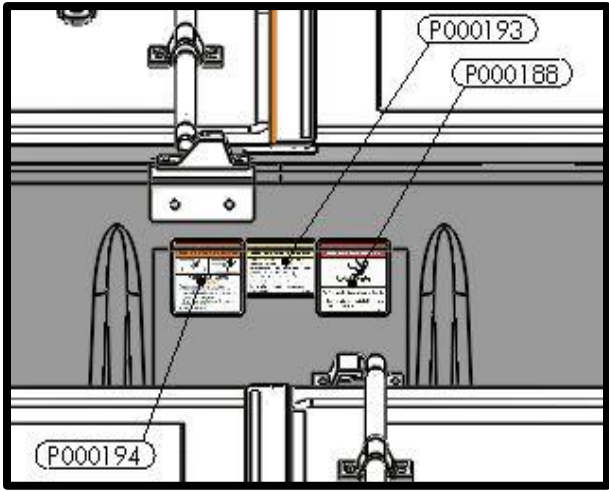
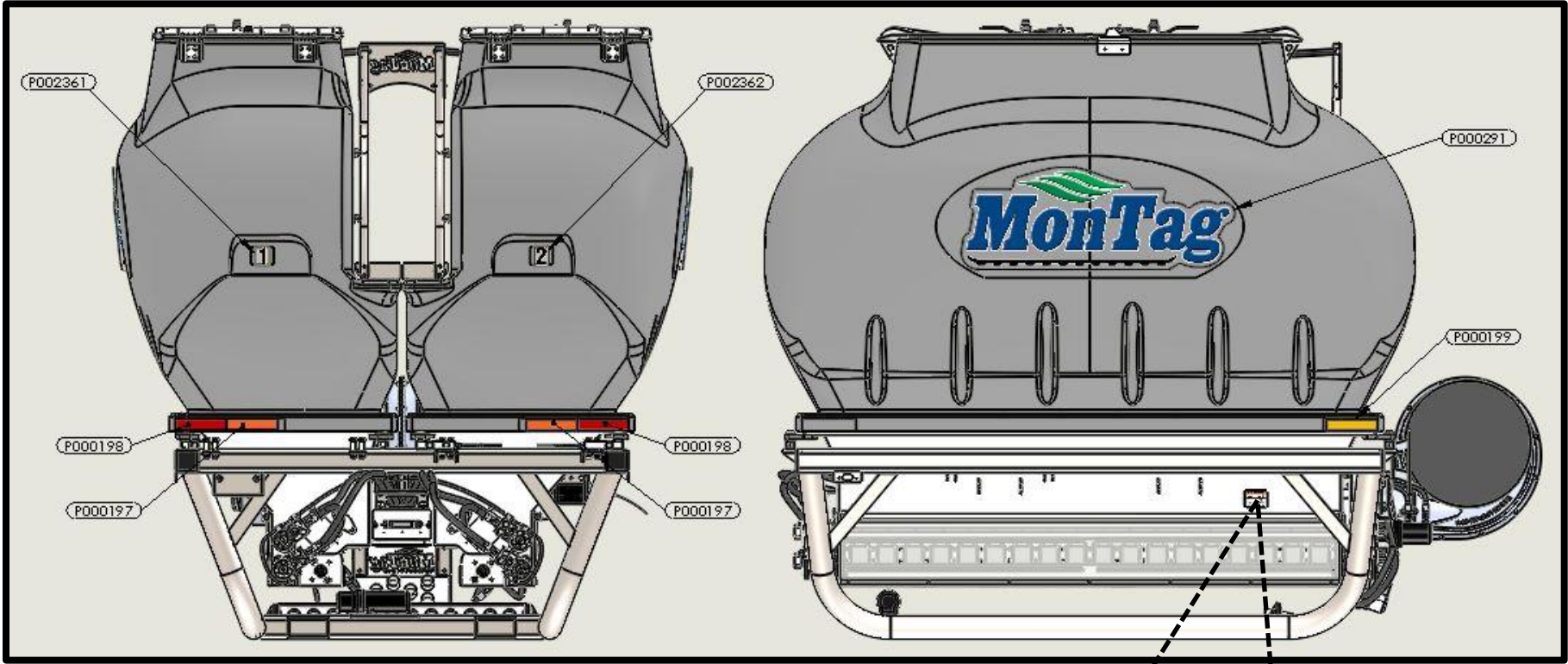
- | Part Number: | Description: |
|---------------------|--|
| K002012 | Kit – ECU Diagnostic ISOBUS Download includes P002352, and P002354 |

DWI0002 – GEN II-2016 DECAL PLACEMENT



96







Montag Manufacturing, Inc.
3816 461st Avenue
Emmetsburg, IA 50536
Phone: (712) 852-4572
FAX: (712) 852-4574

Tech Support: (712) 852-4572
or
support@montagmfg.com

Visit us at:
www.montagmfg.com