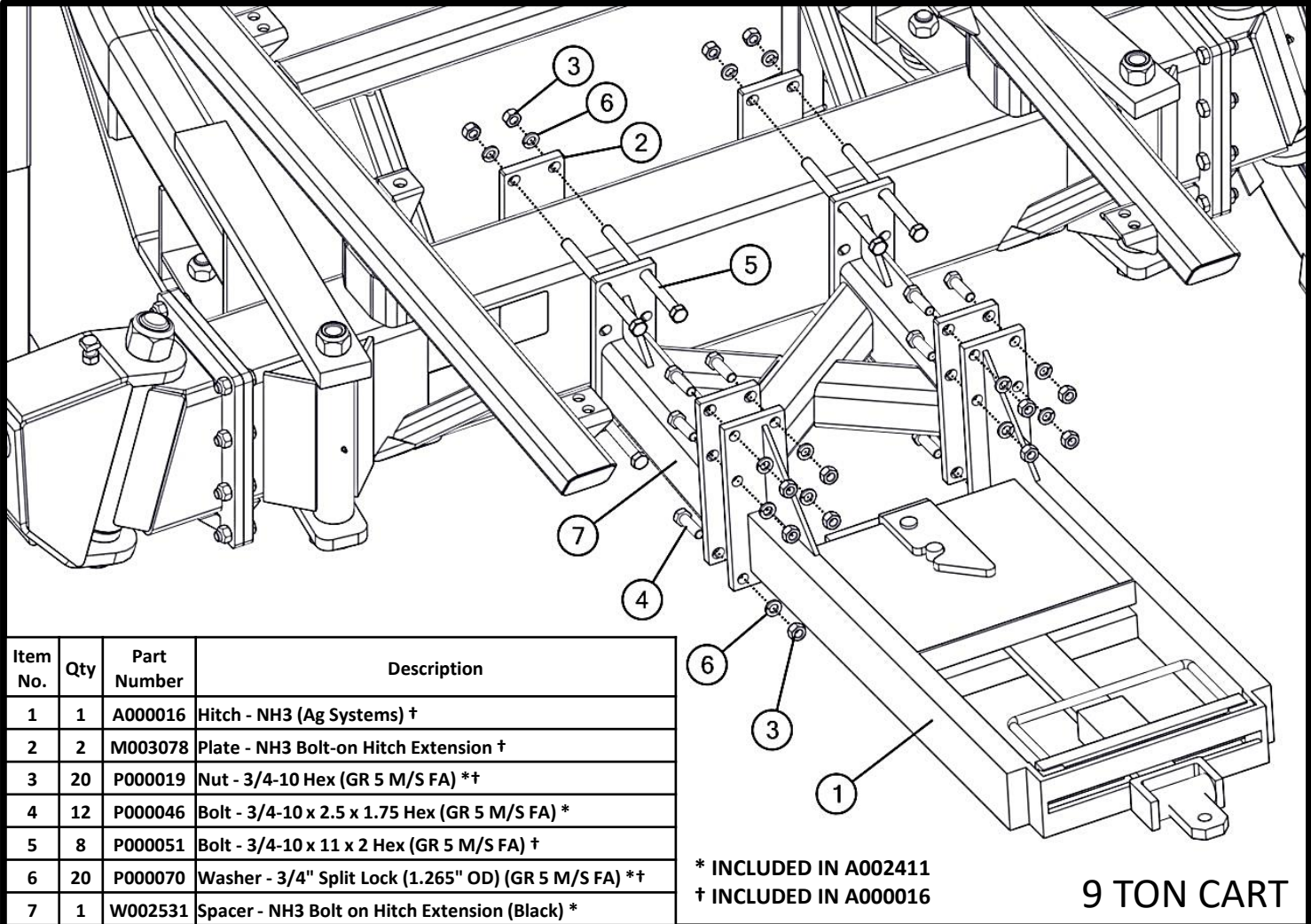


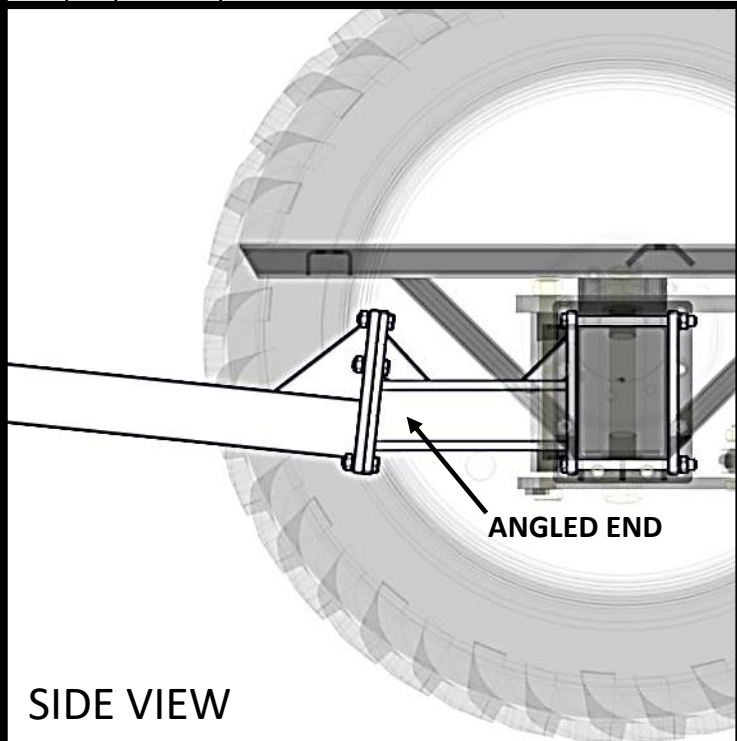
A002411 - SPACER - NH3 BOLT ON HITCH EXTENSION INSTALLATION GUIDE



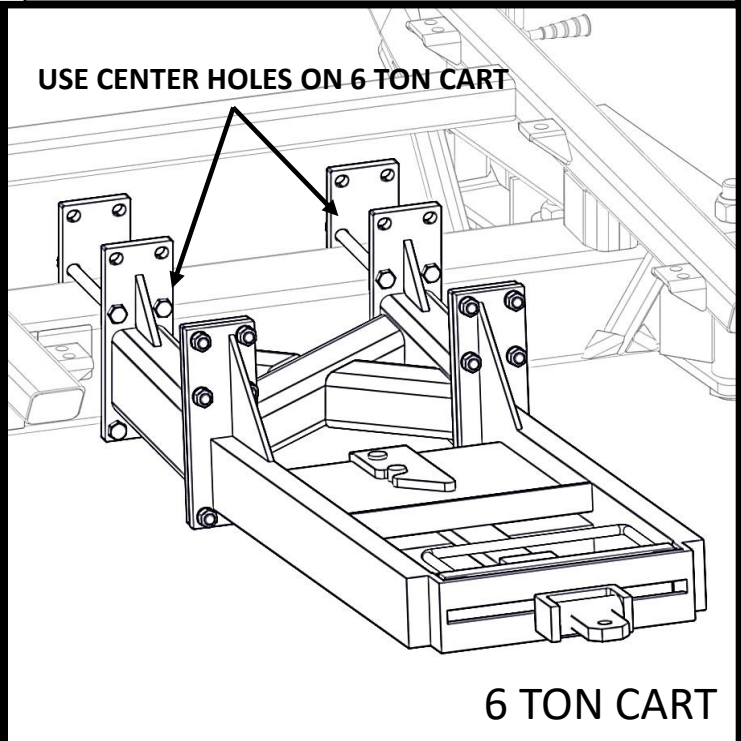
Item No.	Qty	Part Number	Description
1	1	A000016	Hitch - NH3 (Ag Systems) †
2	2	M003078	Plate - NH3 Bolt-on Hitch Extension †
3	20	P000019	Nut - 3/4-10 Hex (GR 5 M/S FA) *†
4	12	P000046	Bolt - 3/4-10 x 2.5 x 1.75 Hex (GR 5 M/S FA) *
5	8	P000051	Bolt - 3/4-10 x 11 x 2 Hex (GR 5 M/S FA) †
6	20	P000070	Washer - 3/4" Split Lock (1.265" OD) (GR 5 M/S FA) *†
7	1	W002531	Spacer - NH3 Bolt on Hitch Extension (Black) *

* INCLUDED IN A002411
† INCLUDED IN A000016

9 TON CART



SIDE VIEW



USE CENTER HOLES ON 6 TON CART

6 TON CART