



MONTAG MFG.

GEN 1 2021

Serial Numbers:

8 & 12 Row - 21643 - 22088

16/18/24 Row - 21643 - 22149

PARTS MANUAL



Color coded parts are denoted in this catalog by “__” following the p/n. When ordering replacement parts, color coded parts need to be ordered w/ their corresponding color suffix. The following is a list of color codes:

- AA = Black Paint
- ZZ = Gray Poly
- ZY = Yellow Poly
- ZX = White Poly

For example, when ordering a M001018__ in black, you would order M001018AA at time of ordering. Failure to add the color code may result in getting an unpainted part, rather than a painted one.

Major changes for the 2022 model year include:

- **New Hydraulic Manifold Mount w/ MDRC ECU Mount**
- **New MDRC Enclosure**
- **Raised Tank/Meter End Hole Pattern**
- **New Scale-Link ECU Mount Location**
- **Changed From 60 Pulse to 30 Pulse Encoder Motor**

2019 model year changes are marked in the Part Number column with the following designations:

(N) - Non-Retrofittable 2021 change (**will not** work with previous models)

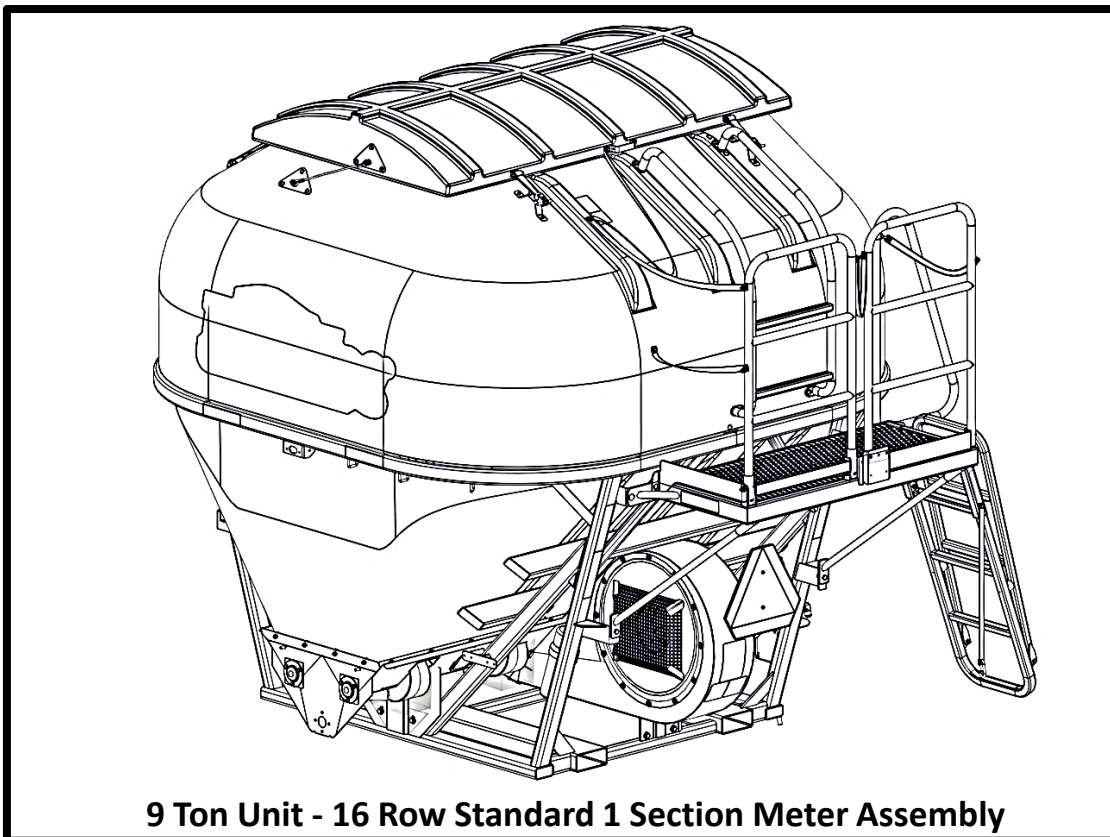
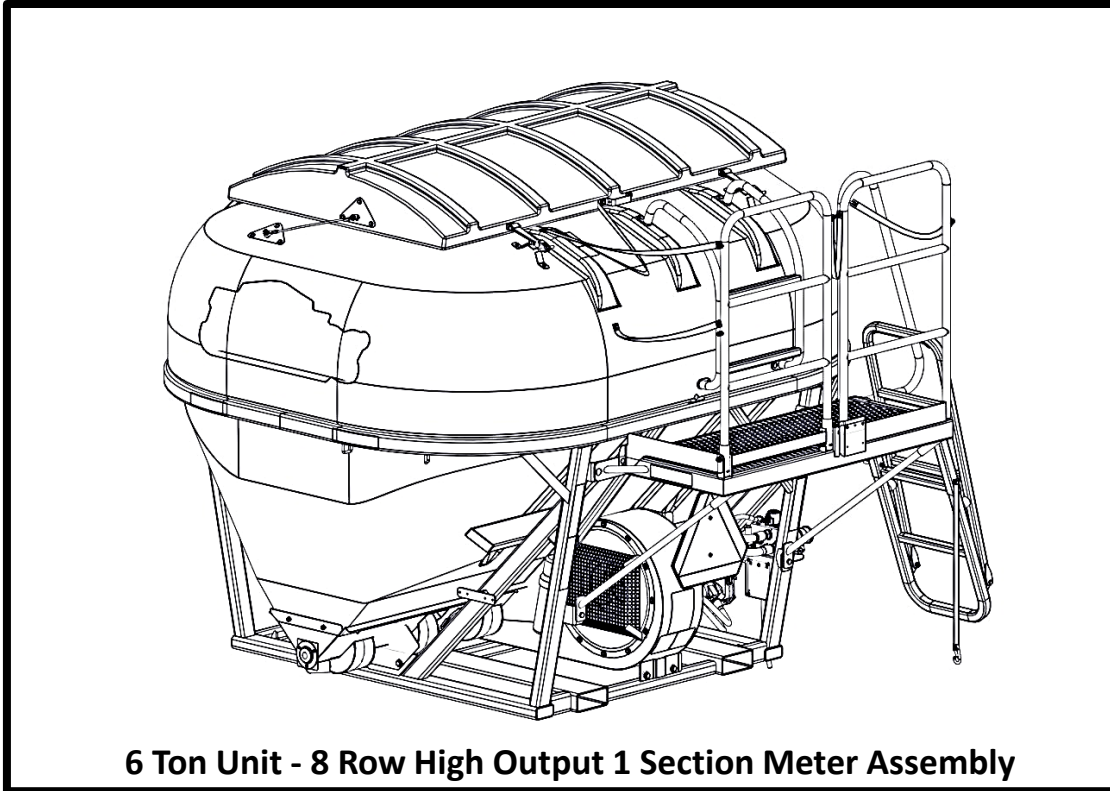
(R) - Retrofittable 2021 change (**will** work with previous model)

| List Of Operations Manuals For Gen 1 | |
|---|--|
| P003284 | Document - Montag Mfg. Gen 1 Operators Manual (2022+) |
| P003071 | Document - Montag DRC Operation Manual For 02.02.05.00 |
| P002957 | Document - Montag DRC QR Guide For 2.02.02.00 |

GEN 1 2021

| | |
|---|-------|
| GEN 1 AVAILABLE CONFIGURATIONS..... | 04-05 |
| GEN 1 OVERVIEW..... | 06-07 |
| 6 And 9 Ton Cradles..... | 08-09 |
| | |
| METERS | |
| Meter Options..... | 10-11 |
| Single Auger Drive | 12-13 |
| Twin Auger Drive..... | 14-15 |
| Replaceable Meter Parts..... | 16-17 |
| Two Section Meter - Center Bearings..... | 18-19 |
| Two Section Meter - Motor And Hydraulic Block..... | 20-21 |
| Fan Assembly and Hardware..... | 22-23 |
| Meter And Fan Supports..... | 24-25 |
| Auger Variations..... | 26-27 |
| | |
| TANKS | |
| Tanks - 6 and 9 Ton Tanks..... | 28-29 |
| Lid - Deck Side..... | 30-31 |
| Lid - Non-Deck Side..... | 32-33 |
| Inside Tank..... | 34-35 |
| Inside Tank Ladder..... | 36-37 |
| Tank to Meter..... | 38-39 |
| Handrails - 6 and 9 Ton..... | 40-41 |
| | |
| HYDRAULICS | |
| Hydraulic Block - Fitting and Hardware..... | 42-43 |
| Hydraulic Block - Components..... | 44-45 |
| Two Section Secondary Block..... | 46-47 |
| Fan Motor..... | 48-49 |
| Auger Motor..... | 48-49 |
| Hydraulic Hoses and Motors..... | 50-51 |
| Two Section Hydraulic Hoses and Motors..... | 52-53 |
| | |
| ACCESSORIES | |
| Manual Holder / Density Scale / Air Gauge..... | 54-55 |
| Slow Moving Vehicle Sign..... | 56-57 |
| Deck - 6 Ton Folding Complete..... | 58-59 |
| Deck - 9 Ton Folding Complete..... | 60-61 |
| Deck Universal..... | 62-63 |
| Deck Ladder - 6 Ton..... | 64-65 |
| Deck Ladder - 9 Ton..... | 66-67 |
| Decals - Left Side..... | 68-69 |
| Decals - Right Side..... | 70-71 |
| | |
| SCALES | |
| Scale Kit and Safety Bolt Mounting..... | 72-73 |
| Scale Kit - GT 400 DT 6 Pin Complete..... | 74-75 |
| Scale Kit - ISO DT 6 Pin Complete (4 Load Cell)..... | 76-77 |
| | |
| ELECTRICAL HARNESSSES | |
| Montag Dry Rate Controller Harness..... | 78-79 |
| Montag Dry Rate Controller..... | 80-81 |
| Montag Dry Rate Controller w/Air Pressure Sensor..... | 82-83 |
| Tech Packages..... | 84-85 |
| Electrical Harnesses..... | 86-87 |
| 1 Section Gen I Raven Encoder Add-on Kit..... | 88-89 |
| 2 Section Gen I Raven Encoder Add-on Kit..... | 90-91 |

List Of Available Gen 1 Configurations



P/N's followed by “_” are color coded parts.

Color codes: AA = Black Paint, ZZ = Gray, ZY = Yellow, ZX = White
See inside front cover for details.

12/05/2023 - REV. B

SN#: 8 & 12 Row - 21643 - 22088

SN# 16/18/24 Row - 21643 - 22149

List Of Available Gen 1 Configurations

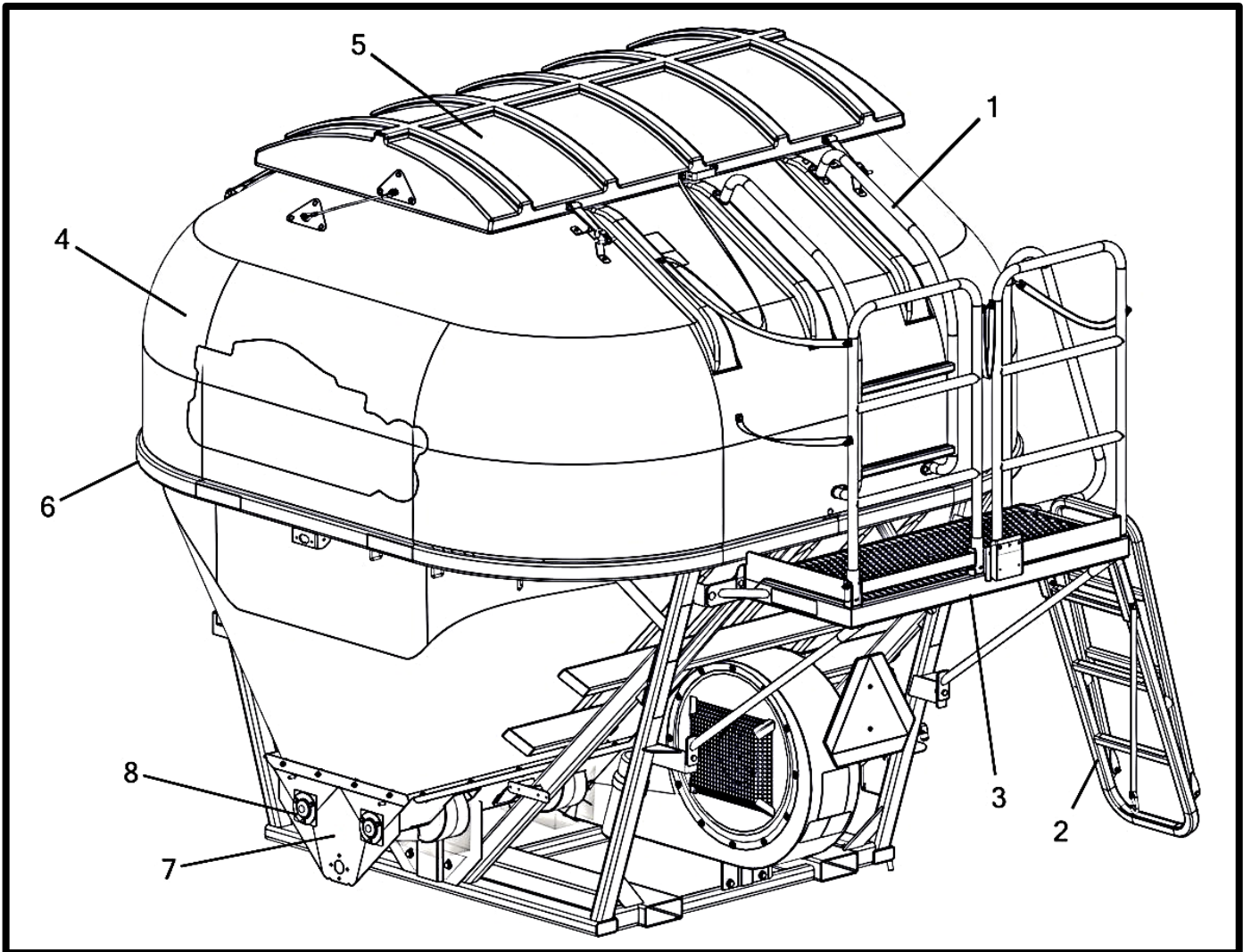
6 TON UNITS

| | |
|---------|--|
| S08A611 | 6 Ton Unit - 8 Row Standard 1 Section Meter Assembly |
| S08B611 | 6 Ton Unit - 8 Row High Output 1 Section Meter Assembly |
| S08B621 | 6 Ton Unit - 8 Row High Output Twin Bin Meter Assembly |
| S12A611 | 6 Ton Unit - 12 Row Standard 1 Section Meter Assembly |
| S12B611 | 6 Ton Unit - 12 Row High Output 1 Section Meter Assembly |
| S12B621 | 6 Ton Unit - 12 Row High Output Twin Bin Meter Assembly |
| S16A611 | 6 Ton Unit - 16 Row Standard 1 Section Meter Assembly |
| S16B611 | 6 Ton Unit - 16 Row High Output 1 Section Meter Assembly |
| S16A612 | 6 Ton Unit - 16 Row Standard 2 Section Meter Assembly |
| S16B612 | 6 Ton Unit - 16 Row High Output 2 Section Meter Assembly |
| S18A611 | 6 Ton Unit - 18 Row Standard 1 Section Meter Assembly |
| S18A612 | 6 Ton Unit - 18 Row Standard 2 Section Meter Assembly |
| S18B611 | 6 Ton Unit - 18 Row High Output 1 Section Meter Assembly |
| S18B612 | 6 Ton Unit - 18 Row High Output 2 Section Meter Assembly |
| S24B611 | 6 Ton Unit - 24 Row High Output 1 Section Meter Assembly |
| S24B612 | 6 Ton Unit - 24 Row High Output 2 Section Meter Assembly |

9 TON UNITS

| | |
|---------|--|
| S08A911 | 9 Ton Unit - 8 Row Standard 1 Section Meter Assembly |
| S08B911 | 9 Ton Unit - 8 Row High Output 1 Section Meter Assembly |
| S08B921 | 9 Ton Unit - 8 Row High Output Twin Bin Meter Assembly |
| S12A911 | 9 Ton Unit - 12 Row Standard 1 Section Meter Assembly |
| S12B911 | 9 Ton Unit - 12 Row High Output 1 Section Meter Assembly |
| S12B921 | 9 Ton Unit - 12 Row High Output Twin Bin Meter Assembly |
| S16A911 | 9 Ton Unit - 16 Row Standard 1 Section Meter Assembly |
| S16B911 | 9 Ton Unit - 16 Row High Output 1 Section Meter Assembly |
| S16A912 | 9 Ton Unit - 16 Row Standard 2 Section Meter Assembly |
| S16B912 | 9 Ton Unit - 16 Row High Output 2 Section Meter Assembly |
| S18A911 | 9 Ton Unit - 18 Row Standard 1 Section Meter Assembly |
| S18A912 | 9 Ton Unit - 18 Row High Output 2 Section Meter Assembly |
| S18B911 | 9 Ton Unit - 18 Row High Output 1 Section Meter Assembly |
| S18B912 | 9 Ton Unit - 18 Row High Output 2 Section Meter Assembly |
| S24B911 | 9 Ton Unit - 24 Row High Output 1 Section Meter Assembly |
| S24B912 | 9 Ton Unit - 24 Row High Output 2 Section Meter Assembly |

Gen 1 Overview (Model Shown Is S16A911 - 9 Ton Unit - 16 Row Standard 1 Section)



P/N's followed by “_” are color coded parts.

Color codes: AA = Black Paint, ZZ = Gray, ZY = Yellow, ZX = White
See inside front cover for details.

12/05/2023 - REV. B

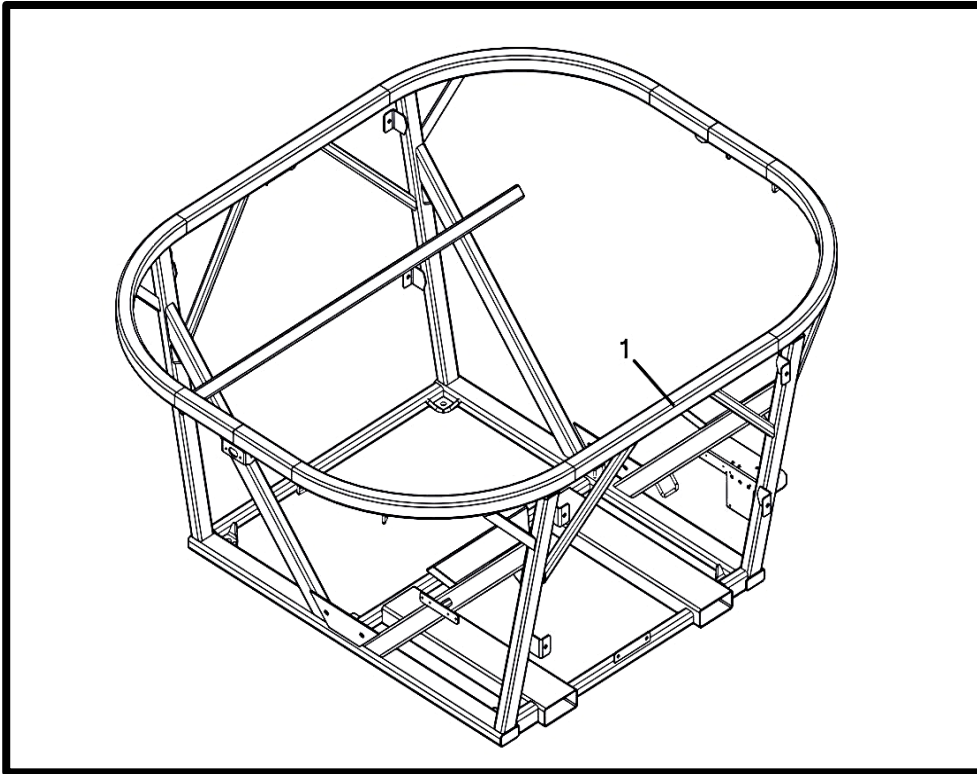
SN#: 8 & 12 Row - 21643 - 22088

SN# 16/18/24 Row - 21643 - 22149

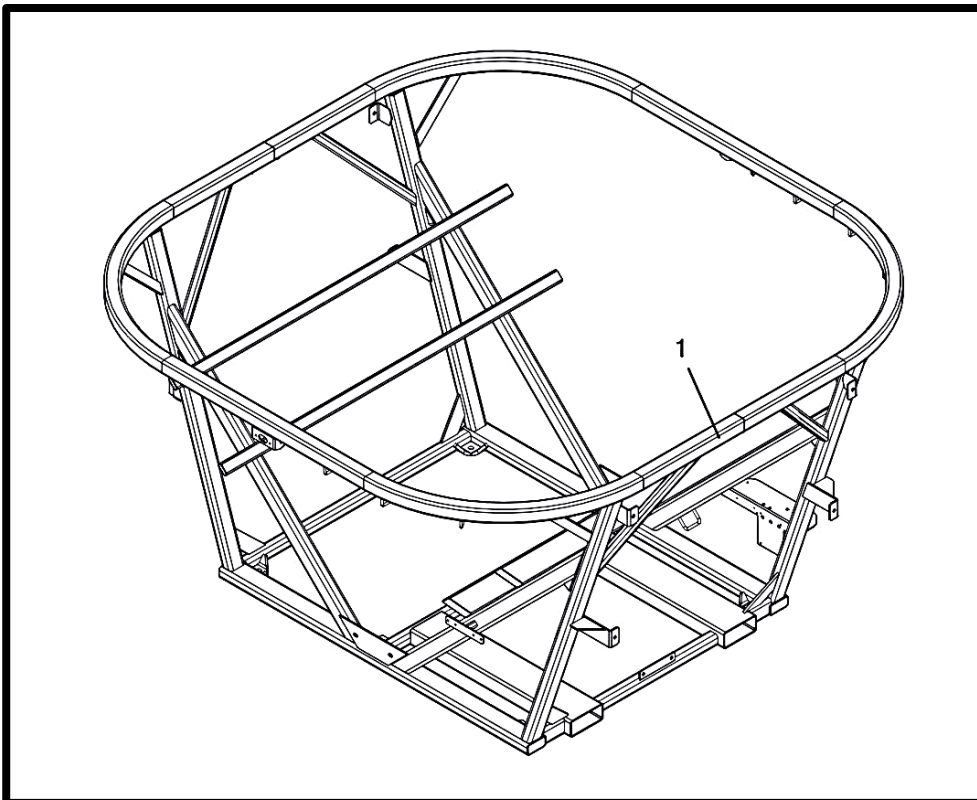
Gen 1 Overview

| Item No. | Qty | Description |
|----------|-----|-------------------------|
| 1 | 1 | Ladder - Tank Hand Rail |
| 2 | 1 | Ladder - Folding |
| 3 | 1 | Deck - Universal |
| 4 | 1 | Tank - Poly |
| 5 | 1 | Tank Lid - Poly |
| 6 | 1 | Cradle - Dry Tank |
| 7 | 1 | Meter |
| 8 | 2 | Auger - Standard Hex |

6 Ton Cradle



9 Ton Cradle



P/N's followed by “_” are color coded parts.

Color codes: AA = Black Paint, ZZ = Gray, ZY = Yellow, ZX = White
See inside front cover for details.

12/05/2023 - REV. B

SN#: 8 & 12 Row - 21643 - 22088

SN# 16/18/24 Row - 21643 - 22149

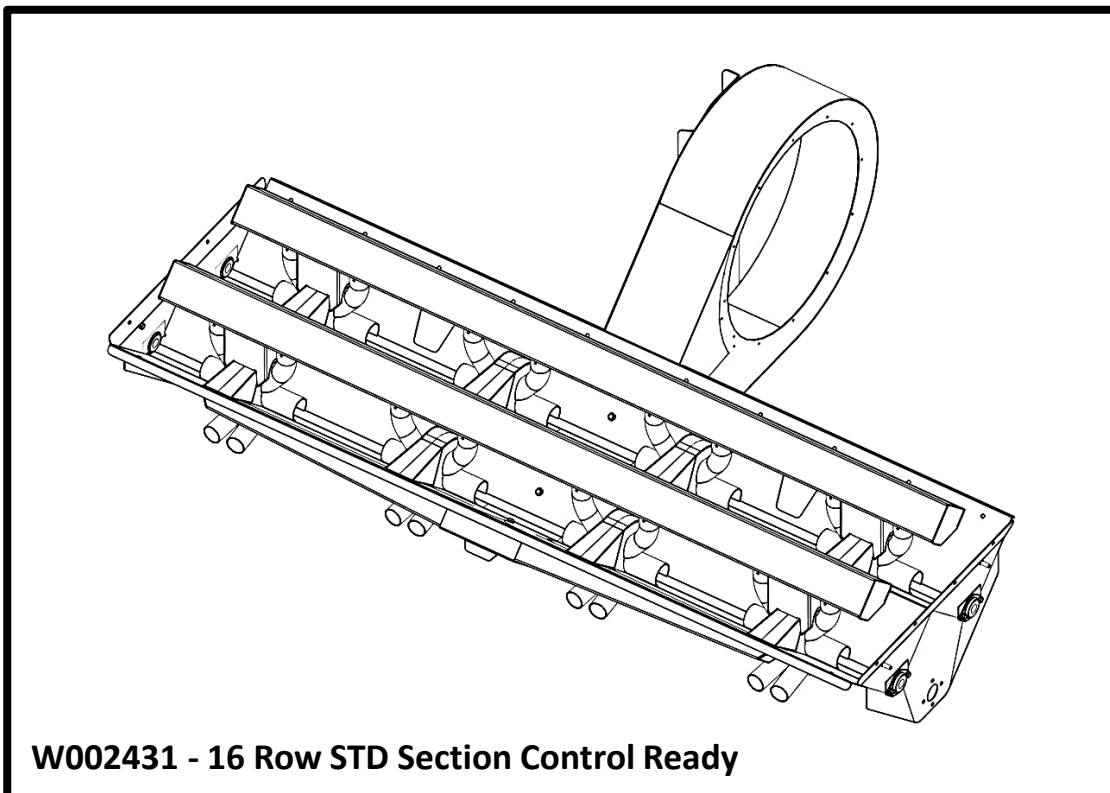
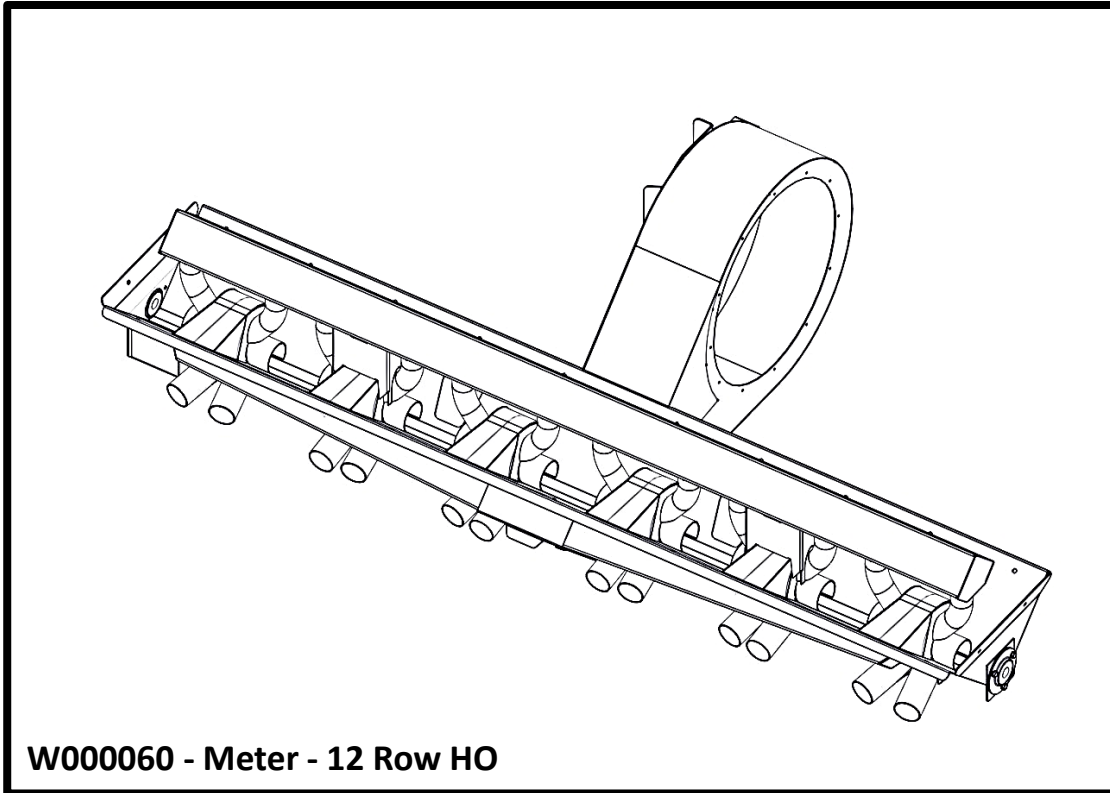
6 Ton Cradle

| Item No. | Qty. | Part Number | Description |
|----------|------|-------------|------------------------|
| 1 | 1 | W000031__ | Cradle - 6Ton Dry Tank |

9 Ton Cradle

| Item No. | Qty. | Part Number | Description |
|----------|------|-------------|------------------------|
| 1 | 1 | W000032__ | Cradle - 9Ton Dry Tank |

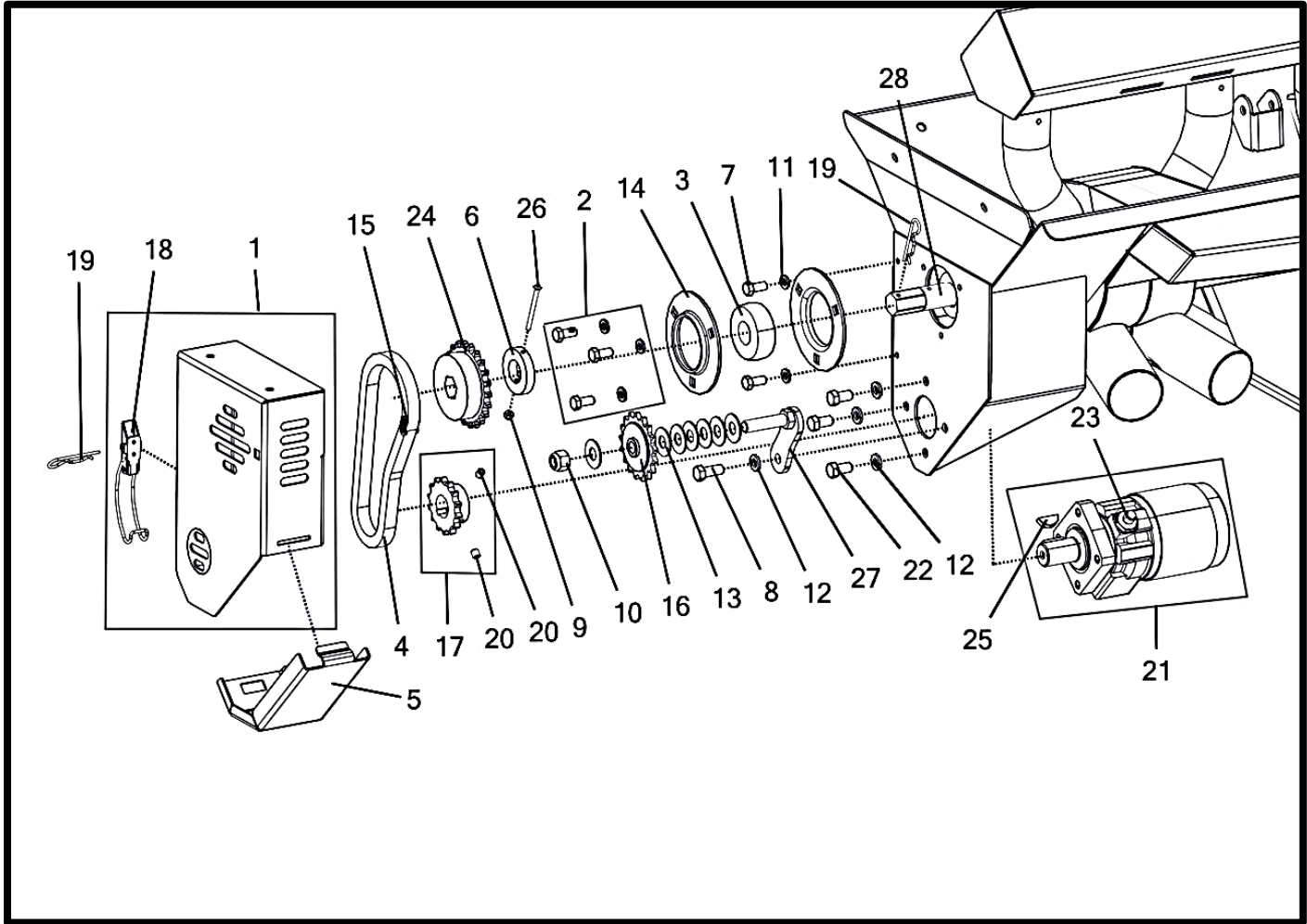
Meter Options



Meter Options

| | |
|---------|--|
| W000059 | Meter - 12 Row STD |
| W000060 | Meter - 12 Row HO |
| W000061 | Meter - 8 Row STD |
| W000062 | Meter - 8 Row HO |
| W002427 | Meter - 16 Row HO Section Control Ready |
| W002429 | Meter - 18 Row HO Section Control Ready |
| W002430 | Meter - 24 Row HO Section Control Ready |
| W002431 | Meter - 16 Row STD Section Control Ready |
| W002432 | Meter - 18 Row STD Section Control Ready |
| W002434 | Meter - 8 Row HO Twin Bin |
| W002435 | Meter - 12 Row HO Twin Bin |

Single Auger Drive (High Output Shown)



P/N's followed by “_” are color coded parts.

Color codes: AA = Black Paint, ZZ = Gray, ZY = Yellow, ZX = White
See inside front cover for details.

12/05/2023 - REV. B

SN#: 8 & 12 Row - 21643 - 22088

SN# 16/18/24 Row - 21643 - 22149

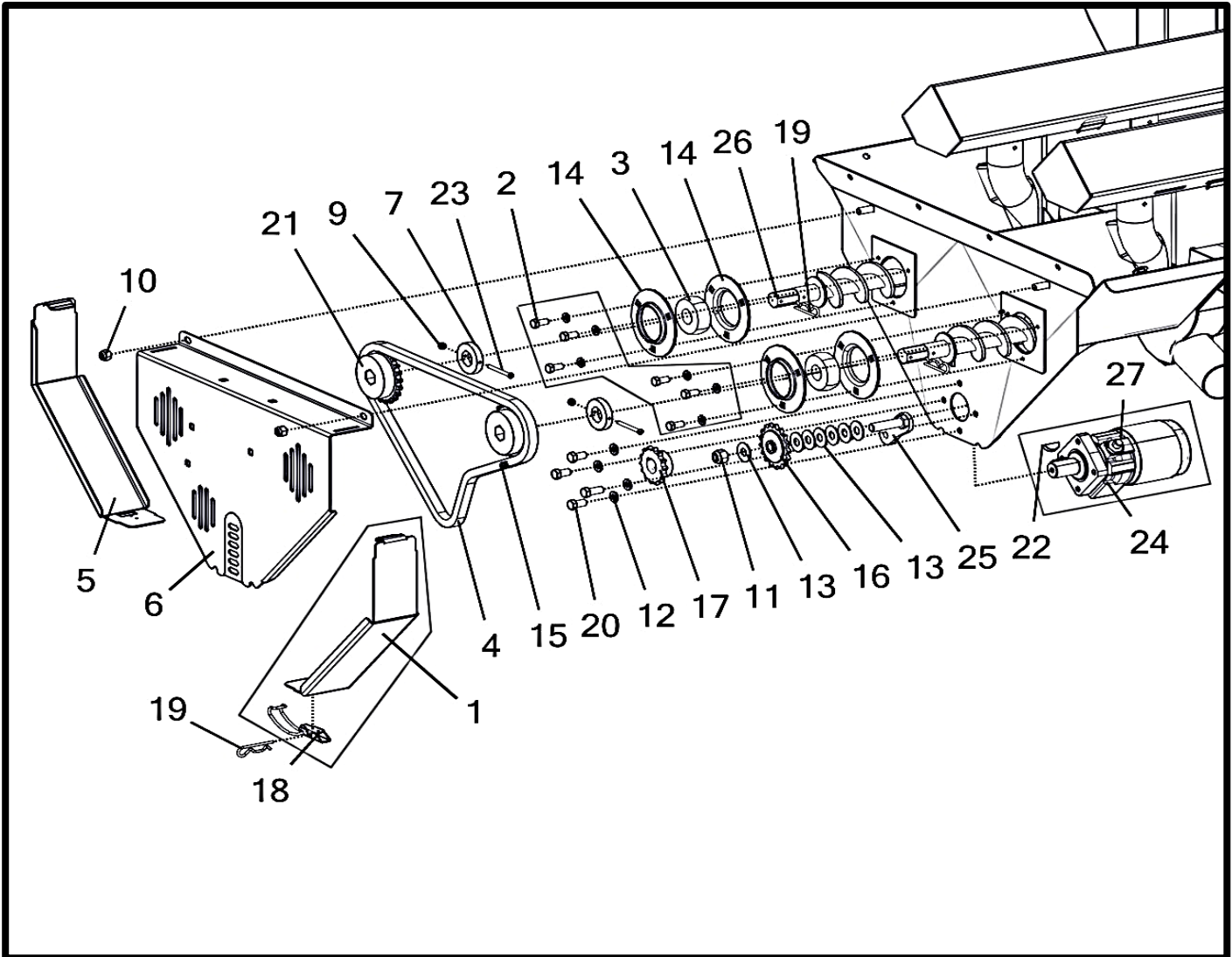
Single Auger Drive (High Output Shown)

| Item No. | Qty | Part Number | Description |
|----------|-----|--------------------|--|
| 1 | 1 | A002353 | Shield - Single Auger Gen 1 Main |
| 2 | 1 | K000008 | Kit - 62mm Meter Hardware (HO) (SHOWN) |
| | 1 | K000007 | Kit - 52mm Meter Hardware (STD) |
| 3 | 2 | M000184 | Bushing - 62 mm Auger Nylon (HO) (SHOWN) |
| | 2 | M000185 | Bushing - 52 mm Auger Nylon (STD) |
| 4 | 1 | M000602 | Chain - Single Auger Drive |
| 5 | 1 | M001154 | Shield - Single Auger Door |
| 6 | 1 | M003271 | Collar - 1.0" ID x 2.0" OD x .38" |
| 7 | 2 | P000093 | Bolt - 5/16-18 x 0.75 x 0.75 Hex (F593 304 S/S FB) * |
| 8 | 1 | P000097 | Bolt - 3/8-16 x 1 x 1 Hex (F593 304 S/S FB) * |
| 9 | 1 | P000102 | Nut - #8-32 Hex Nylon Lock (18-8 S/S FB) |
| 10 | 1 | P000106 | Nut - 1/2-13 Hex Nylon Lock (F594 316 S/S FB) * |
| 11 | 2 | P000110 | Washer - 5/16" Split Lock (0.583" OD) (18-8 S/S FB) * |
| 12 | 4 | P000113 | Washer - 3/8" Split Lock (0.68" OD) (18-8 S/S FB) * |
| 13 | 7 | P000114 | Washer - 1/2" Flat (1.25" OD) (18-8 S/S FB) (Shims) * |
| 14 | 4 | P000215 | Bearing Flange - 62 mm (HO)(SHOWN) |
| | 4 | P000214 | Bearing Flange - 52 mm (STD) |
| 15 | 1 | P000217 | Chain Link- #40 S/S Connecting |
| 16 | 1 | P000219 | Sprocket - #40 17 Tooth Idler 1/2" Bore |
| 17 | 1 | P000220 | Sprocket - #40 14 Tooth 1" Bore |
| 18 | 1 | P000566 | Catch - Safety Shield |
| 19 | 2 | P000567 | Pin - Safety Shield Catch |
| 20 | 2 | P000785 | Set Screw - 5/16-18 x 5/16" UNC |
| 21 | 1 | (R) P003128 | Motor - Hyd. 11.9 CuIn Gerotor w/ Speed Sensor (TE0195FS100FSAA) † |
| 22 | 3 | P000852 | Bolt - 3/8-16 x 0.75 x 0.75 Hex (F593 304 S/S FB) * |
| 23 | 1 | (N) P003165 | Sensor - Parker Motor Speed (30 Pulse) (455063) |
| 24 | 1 | P002081 | Sprocket - #40 22 Tooth 7/8" Hex Bore |
| 25 | 1 | P002694 | Key - Woodruff .25" x 1" #15 |
| 26 | 1 | P002960 | Screw - #8-32 x 2.25 Machine Button Head Socket (18-8 S/S FB) |
| 27 | 1 | W000098 | Bracket - Chain Tensioner Weldment |
| 28 | 1 | W00____ | Auger (See Page 27 for P/N) |

(*) Included In K002128 - Kit - Hydraulic Auger Drive Hardware (S/S)

(†) Motor is retrofittable, but note that previous versions are 60 pulse, this one is 30 pulse.

Twin Auger Drive (Standard Output Shown)



P/N's followed by “_” are color coded parts.

Color codes: AA = Black Paint, ZZ = Gray, ZY = Yellow, ZX = White
See inside front cover for details.

12/05/2023 - REV. B

SN#: 8 & 12 Row - 21643 - 22088

SN# 16/18/24 Row - 21643 - 22149

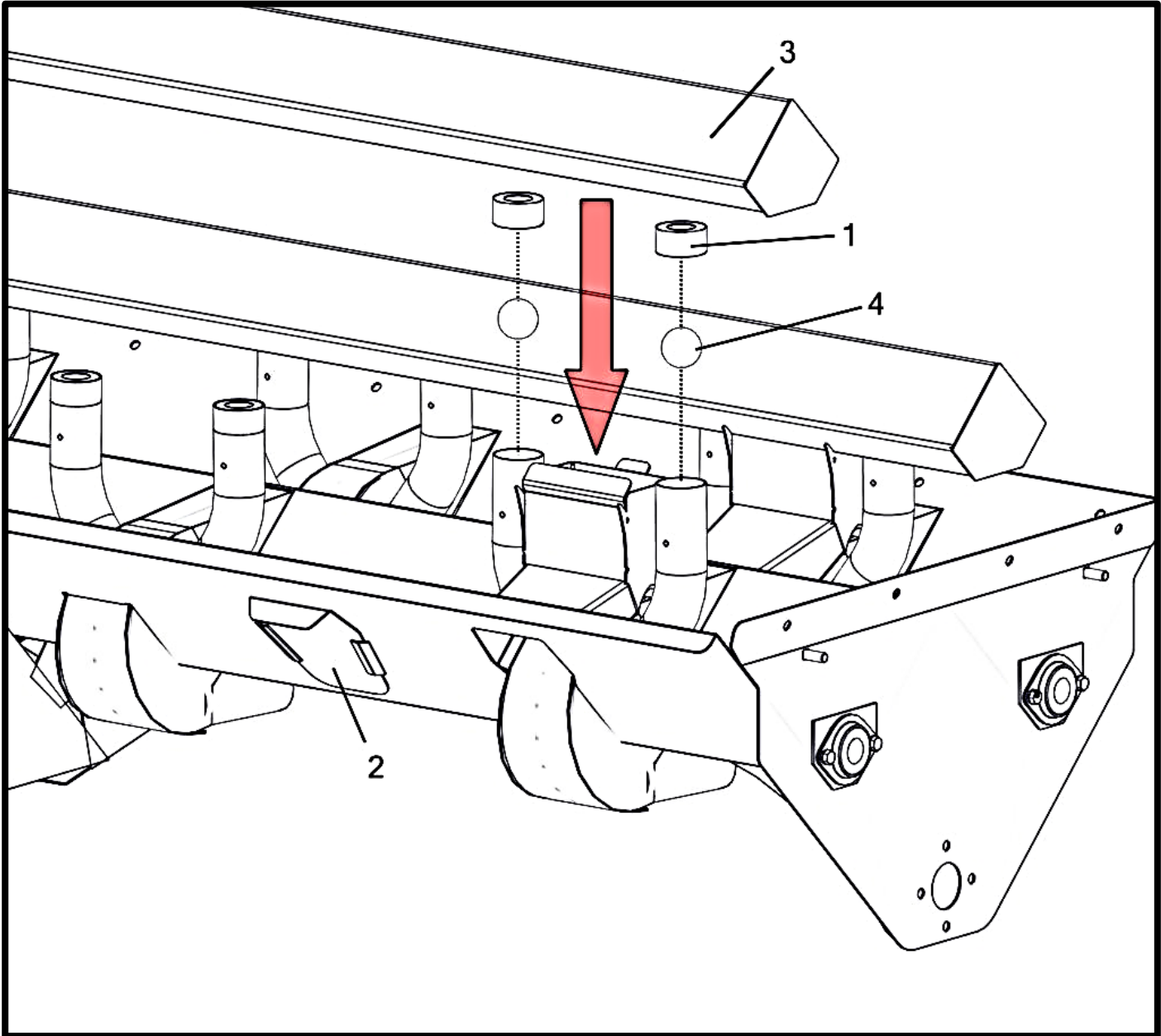
Twin Auger Drive (Standard Output Shown)

| Item No. | Qty | Part Number | Description |
|----------|-----|-------------|--|
| 1 | 1 | A000162 | Shield - Twin Auger Side Door |
| 2 | 2 | K000008 | Kit - 62mm Meter Hardware (STD) (SHOWN) |
| | 2 | K000008 | Kit - 62mm Meter Hardware (HO) |
| 3 | 2 | M000184 | Bushing - 62 mm Auger Nylon (STD) (SHOWN) |
| | 4 | M000184 | Bushing - 62 mm Auger Nylon (HO) |
| 4 | 1 | M000603 | Chain - Twin Auger Drive |
| 5 | 1 | M001155 | Shield - Twin Auger Safety Door (LH) |
| 6 | 1 | M002828 | Shield - Twin Auger Gen 1 Main Safety |
| 7 | 2 | M003271 | Collar - 1.0" ID x 2.0" OD x .38" |
| 8 | 1 | P000097 | Bolt - 3/8-16 x 1 x 1 Hex (F593 304 S/S FB) * |
| 9 | 2 | P000102 | Nut - #8-32 Hex Nylon Lock (18-8 S/S FB) |
| 10 | 2 | P000105 | Nut - 3/8-16 Hex Nylon Lock (F594 316 S/S FB) * |
| 11 | 1 | P000106 | Nut - 1/2-13 Hex Nylon Lock (F594 316 S/S FB) * |
| 12 | 4 | P000113 | Washer - 3/8" Split Lock (0.68" OD) (18-8 S/S FB) * |
| 13 | 7 | P000114 | Washer - 1/2" Flat (1.25" OD) (18-8 S/S FB) (Shims) * |
| 14 | 4 | P000215 | Bearing Flange - 62 mm (STD) (SHOWN) |
| | 8 | P000215 | Bearing Flange - 62 mm (HO) |
| 15 | 1 | P000217 | Chain Link- #40 S/S Connecting |
| 16 | 1 | P000219 | Sprocket - #40 17 Tooth Idler 1/2" Bore |
| 17 | 1 | P000220 | Sprocket - #40 14 Tooth 1" Bore |
| 18 | 1 | P000566 | Catch - Safety Shield |
| 19 | 3 | P000567 | Pin - Safety Shield Catch |
| 20 | 3 | P000852 | Bolt - 3/8-16 x 0.75 x 0.75 Hex (F593 304 S/S FB) * |
| 21 | 2 | P002081 | Sprocket - #40 22 Tooth 7/8" Hex Bore |
| 22 | 1 | P002694 | Key - Woodruff .25" x 1" #15 |
| 23 | 2 | P002960 | Screw - #8-32 x 2.25 Machine Button Head Socket (18-8 S/S FB) |
| 24 | 1 | (R) P003128 | Motor - Hyd. 11.9 Culn Gerotor w/ Speed Sensor (TE0195FS100FSAA) † |
| 25 | 1 | W000098 | Bracket - Chain Tensioner Weldment |
| 26 | 2 | W00_ _ _ _ | Auger (See Page 27 For P/N) |
| 27 | 1 | (N) P003165 | Sensor - Parker Motor Speed (30 Pulse) (455063) |

(*) Included In K002081 - Kit - Hydraulic Auger Drive Hardware (Twin Auger) (S/S)

(†) Motor is retrofittable, but note that previous versions are 60 pulse, this one is 30 pulse.

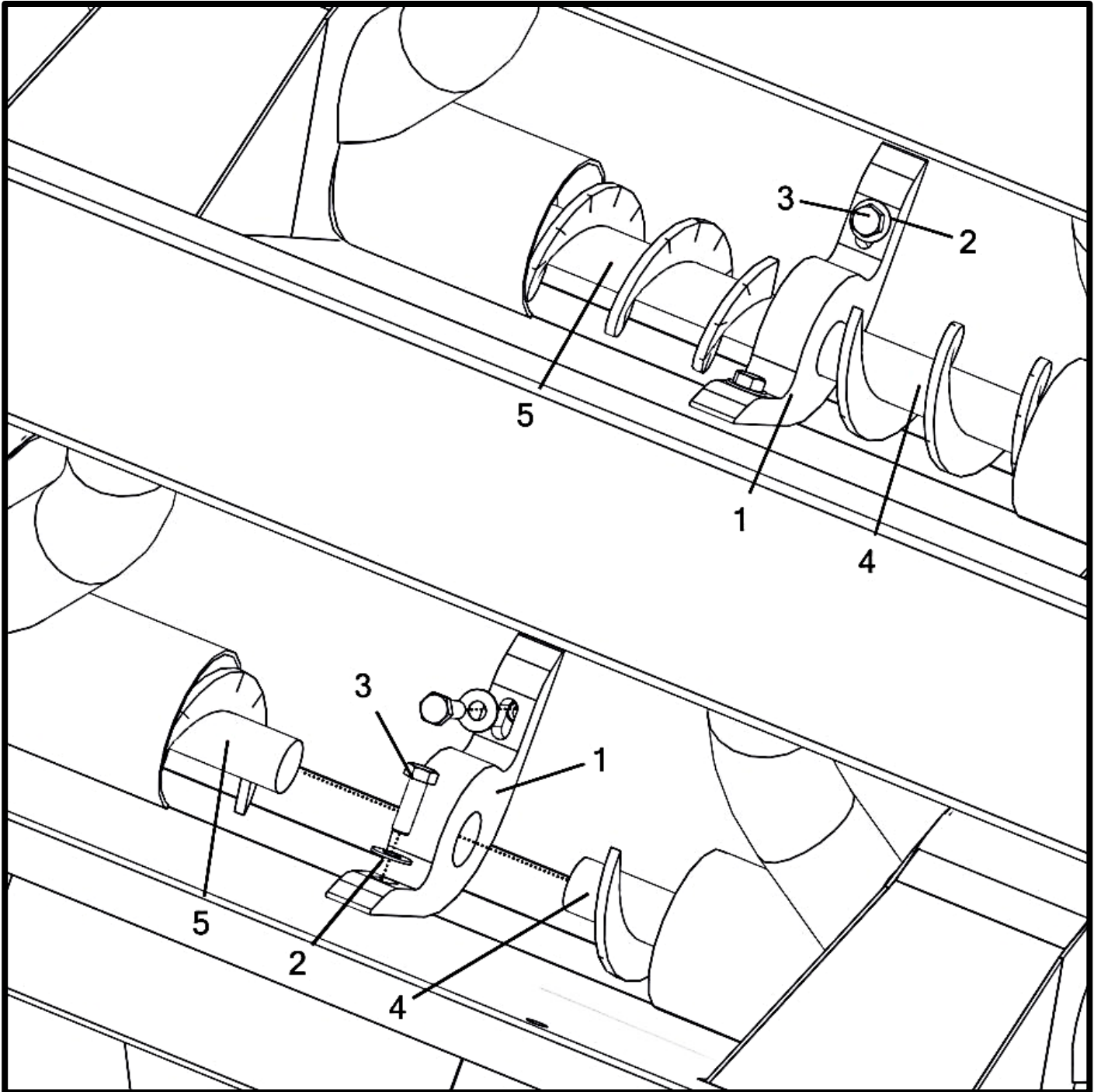
Replaceable Meter Parts



Replaceable Meter Parts

| Item No. | Part Number | Description |
|----------|-------------|--|
| 1 | M000178 | Cap - 2" Orange w/Hole |
| 2 | M000220 | Door - Meter Clean Out |
| 3 | W000342 | Tent - Meter Vent |
| | W002651 | Tent - Twin Bin Meter Vent (Left) (Not Shown) |
| | W002652 | Tent - Twin Bin Meter Vent (Right) (Not Shown) |
| 4 | P000161 | Ball - Air Check |

Two Section Meter - Center Bearings

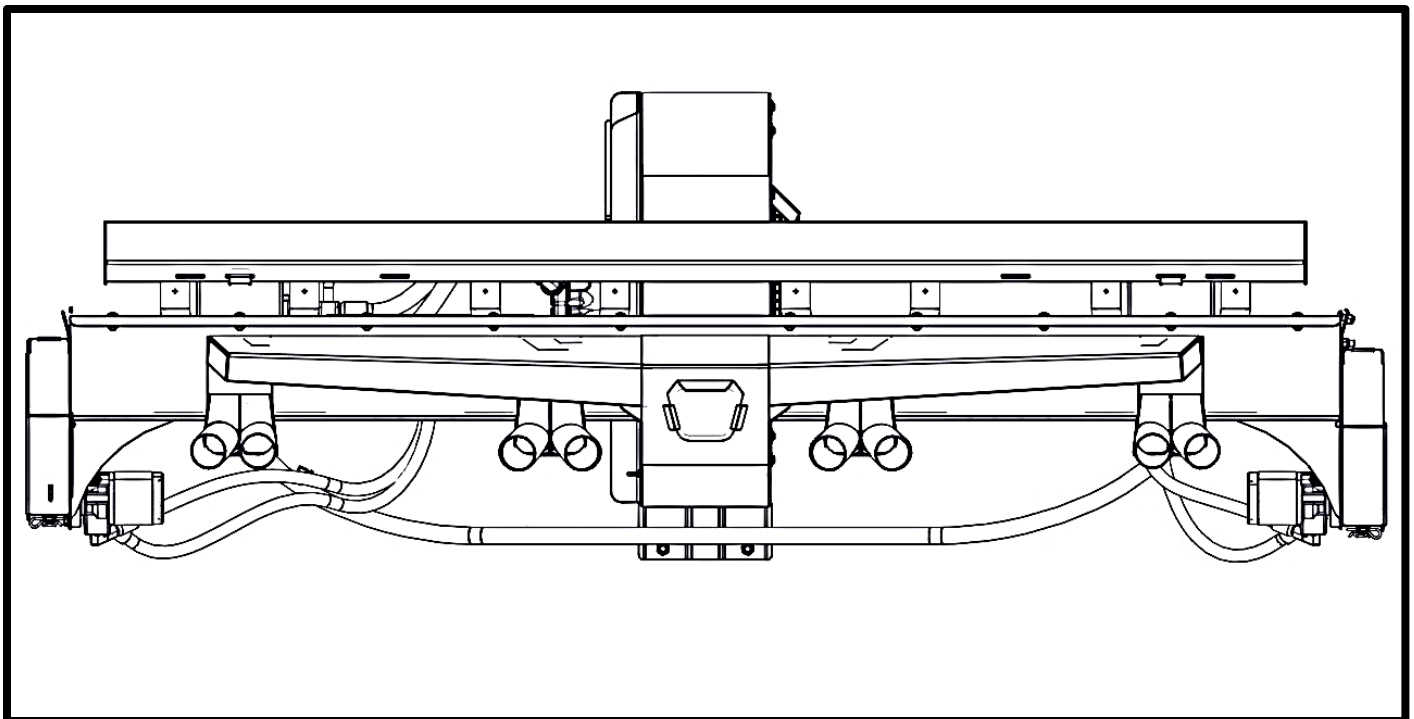


Two Section Meter - Center Bearings

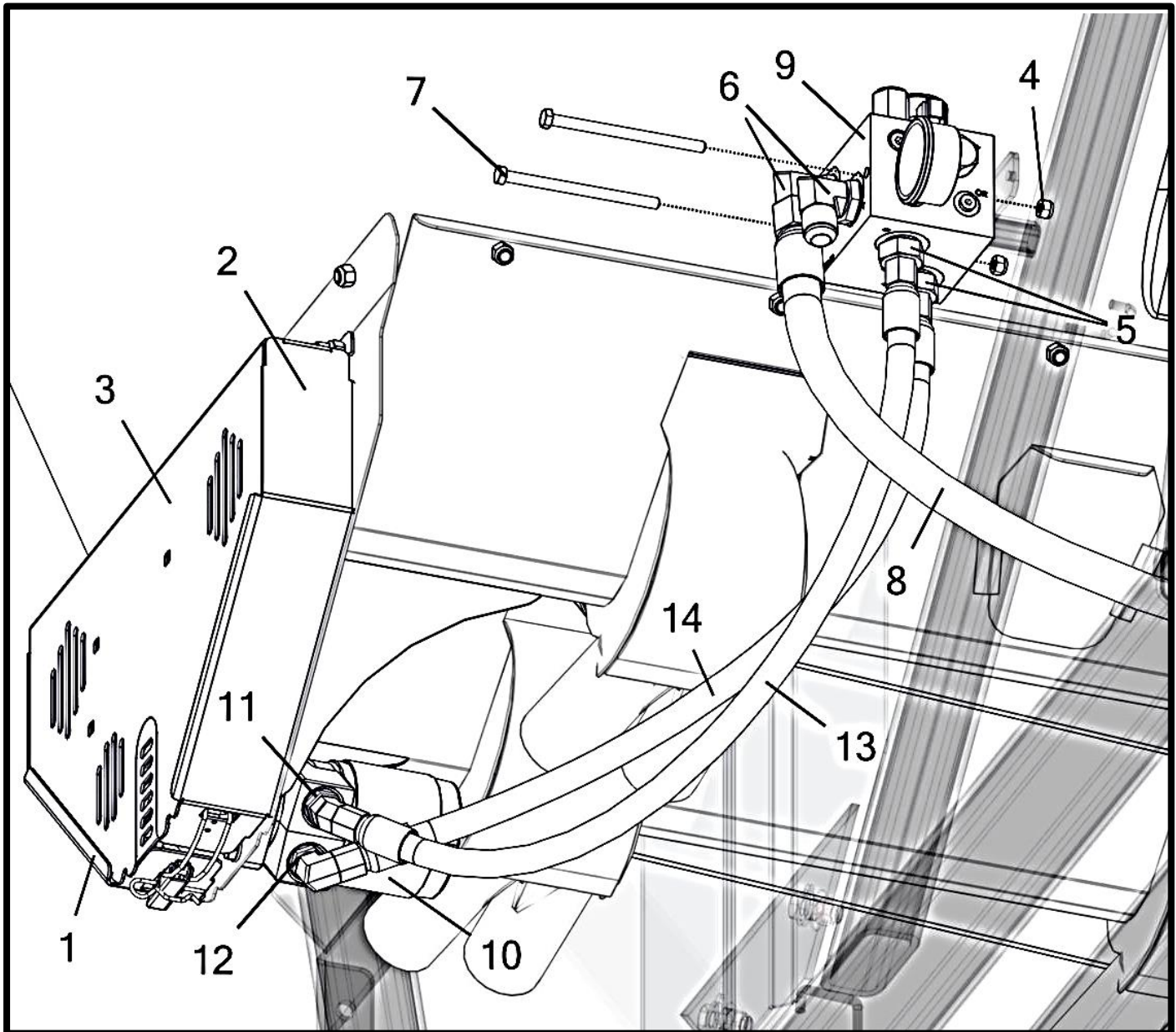
| Item No. | Qty | Part Number | Description |
|----------|-----|-------------|--|
| 1 | 2 | M002753 | Bearing - Section Control Block 2-12" (HO) (Shown) |
| | 2 | M003089 | Bearing - Section Control Block 2" (STD) |
| 2 | 4 | P000109 | Washer - 5/16" Flat (0.75" OD) (18-8 S/S FB) |
| 3 | 4 | P000711 | Bolt - 5/16-18 x 1 x 0.875 Hex (F593 304 S/S FB) |
| 4 | 2 | W00_ _ _ _ | Auger (See Page 29 for Auger P/N) |
| 5 | 2 | W00_ _ _ _ | Auger (See Page 29 for Auger P/N) |

Gen 1 Two Section Upgrade Kits

| Part Number | Description |
|-------------|--|
| K002527 | Kit - Gen I 16 Row 2 Section Upgrade (2-1/2" STD) (2021+) *Check Harness Compatibility |
| K002526 | Kit - Gen I 24 Row 2 Section Upgrade (2-1/2" STD) (2021+) *Check Harness Compatibility |
| K002536 | Kit - Gen I 16 Row 2 Section Upgrade (2" STD) (2021+) *Check Harness Compatibility |
| K002537 | Kit - Gen I 24 Row 2 Section Upgrade (2" STD) (2021+) *Check Harness Compatibility |



Two Section Meter - Motor And Hydraulic Block



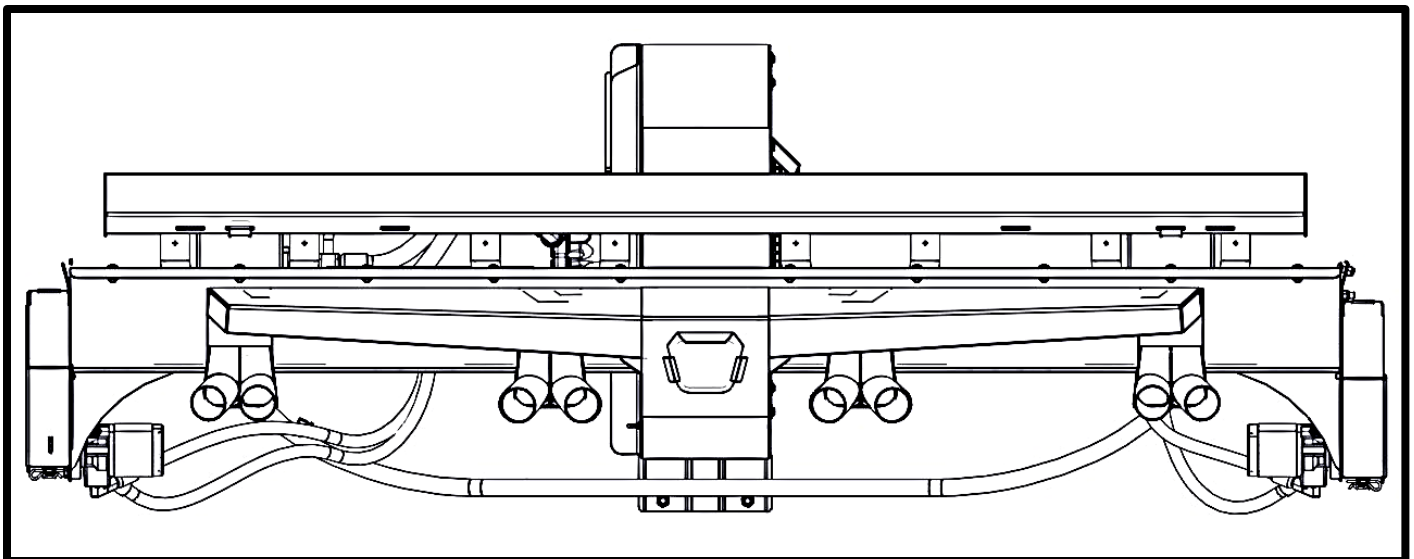
(In 2021, hose kit was updated to hoses with all JIC ends, with additional fittings. If ordering the complete kit, changes will be fully retrofittable.)

Two Section Meter - Motor And Hydraulic Block

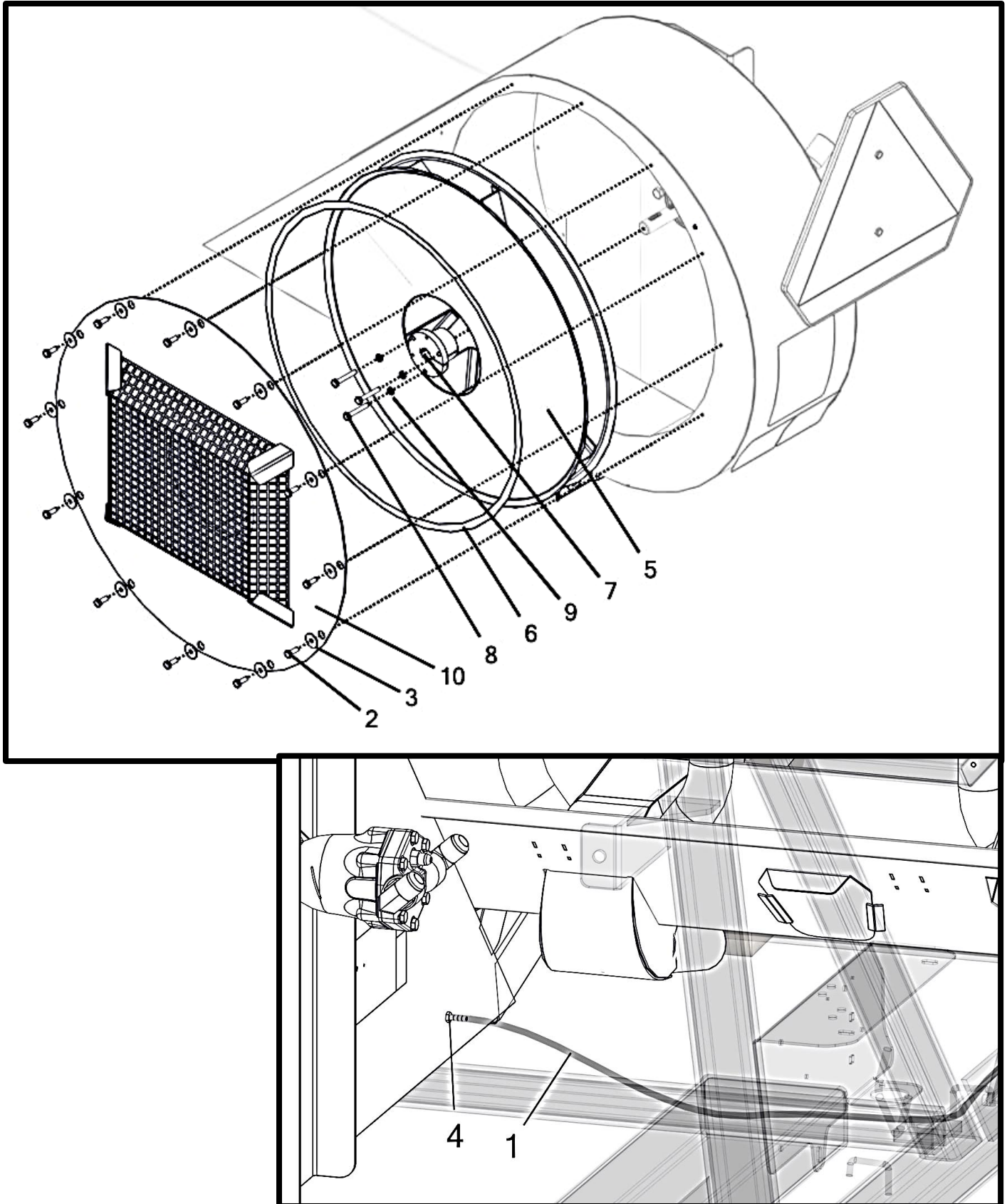
| Item No. | Qty | Part Number | Description |
|----------|-----|-----------------|---|
| 1 | 1 | A000162 | Shield - Twin Auger Side Door |
| 2 | 1 | M001155 | Shield - Twin Auger Safety Door (LH) |
| 3 | 1 | M002828 | Shield - Twin Auger Gen 1 Main Safety |
| 4 | 2 | P000104 | Nut - 5/16-18 Hex Nylon Lock (F594 316 S/S FB) |
| 5 | 2 | P000384 | Fitting - Hyd - #12 M O-Ring x #8 M JIC Straight (6400-08-12-O) |
| | | P002585 | O-Ring - #12 Buna (4000-12) |
| 6 | 2 | P000385 | Fitting - Hyd - #12 M JIC x #12 M O-Ring Elbow 90 (6801-12-12) |
| | | P002585 | O-Ring - #12 Buna (4000-12) |
| 7 | 2 | P000505 | Bolt - 5/16-18 x 5 x 0.875 Hex (F593 304 S/S FB) |
| 8 | 1 | P000715 | Hose - Hydraulic 3/4" x 92" (#12 F JIC Swivel x #12 F JIC Swivel) |
| 9 | 1 | P000718 | Valve - Electric Hydraulic Block Manifold (PWM Closed) |
| 10 | 1 | (R) P003128 | Motor - Hyd. 11.9 Culu Gerotor w/ Speed Sensor (TE0195FS100FSAA) |
| 11 | 1 | (N) P003143 | Fitting - Hyd - #10 M O-ring x #8 M JIC Elbow 45 |
| | | P002584 | O-Ring - #10 Buna (4000-10) |
| 12 | 1 | (N) P003144 | Fitting - Hyd - #10 M O-ring x #8 M JIC Elbow 90 (6801-08-10-NWO) |
| | | P002584 | O-Ring - #10 Buna (4000-10) |
| 13 | 1 | (N) P003145 (B) | Hose - Hydraulic 1/2" x 36" (#8 F JIC x #8 F JIC) |
| 14 | 1 | (N) P003145 (A) | Hose - Hydraulic 1/2" x 36" (#8 F JIC x #8 F JIC) |

Gen 1 Two Section Upgrade Kits

| Part Number | Description |
|-------------|--|
| K002527 | Kit - Gen I 16 Row 2 Section Upgrade (2-1/2" STD) (2021+) *Check Harness Compatibility |
| K002526 | Kit - Gen I 24 Row 2 Section Upgrade (2-1/2" STD) (2021+) *Check Harness Compatibility |
| K002536 | Kit - Gen I 16 Row 2 Section Upgrade (2" STD) (2021+) *Check Harness Compatibility |
| K002537 | Kit - Gen I 24 Row 2 Section Upgrade (2" STD) (2021+) *Check Harness Compatibility |



Fan Assembly And Hardware



P/N's followed by “_” are color coded parts.

Color codes: AA = Black Paint, ZZ = Gray, ZY = Yellow, ZX = White
See inside front cover for details.

12/05/2023 - REV. B

SN#: 8 & 12 Row - 21643 - 22088

SN# 16/18/24 Row - 21643 - 22149

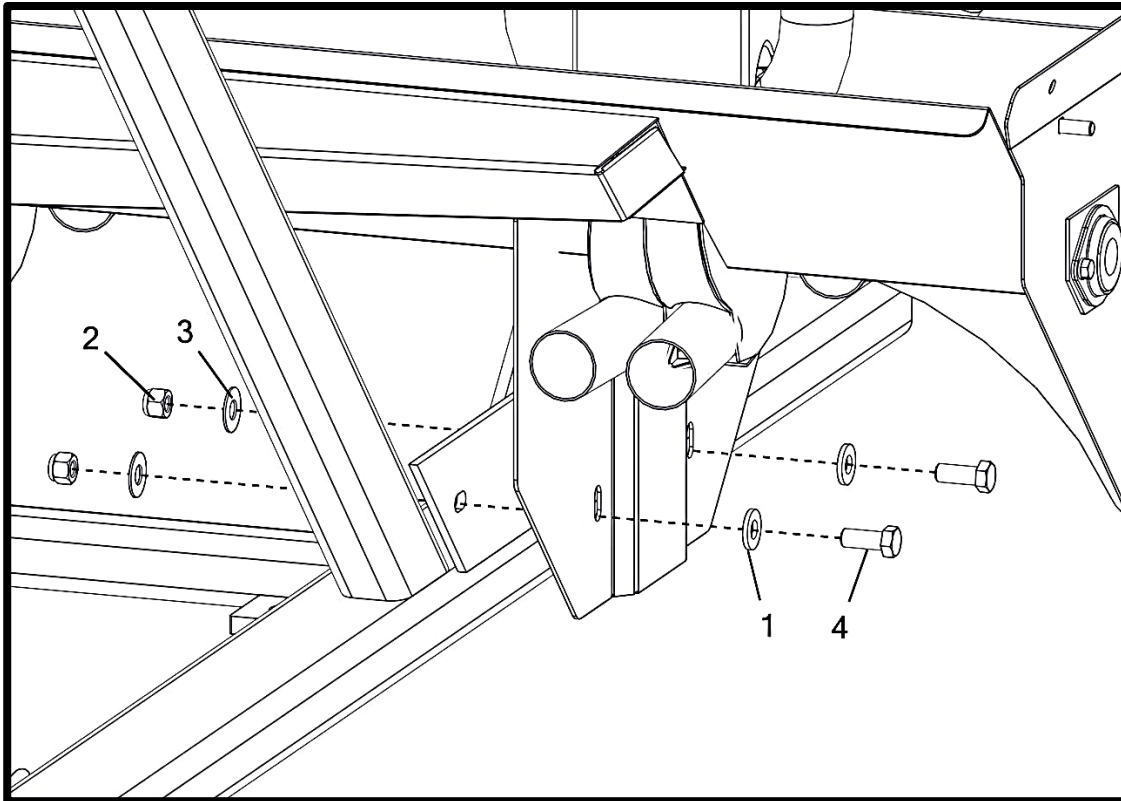
Fan Assembly And Hardware

| Item No. | Qty | Part Number | Description |
|----------|-------|-------------|---|
| 1 | 1 | M001043 | Hose - Air Gauge Fan Tube (126") |
| 2 | 12 | P000092 | Bolt - 1/4-28 x 0.75 x 0.75 Hex (F593 304 S/S FB) * |
| 3 | 12 | P000108 | Washer - 1/4" Fender (1" OD) (18-8 S/S FB) * |
| 4 | 1 | P000125 | Fitting - Air - 3/16" Hose Barb x 1/8 NPT |
| 5 | 1 | P000148 | Fan Wheel - 2210A (16-24 Row) (Shown) |
| | 1 | P000147 | Fan Wheel - 1808A (8-12 Row) |
| 6 | 6.25' | P000241 | Fan Seal - Vinyl Foam Tape |
| 7 | 1 | P000364 | Bushing - QD Taper Lock SD x .875" Bore x .25" Keyway |
| 8 | 3 | P002552 | Bolt - 1/4-20 x 1.75 x 1.75 Hex (GR 5 M/S FG) † |
| 9 | 3 | P002554 | Washer - 1/4" Split Lock (0.487" OD) (GR 5 M/S FG) † |
| 10 | 1 | W000055 | Cover - Fan Inlet (2210) (16-24 Row) (Shown) |
| | 1 | W000056 | Cover - Fan Inlet (1808) (8-12 Row) |

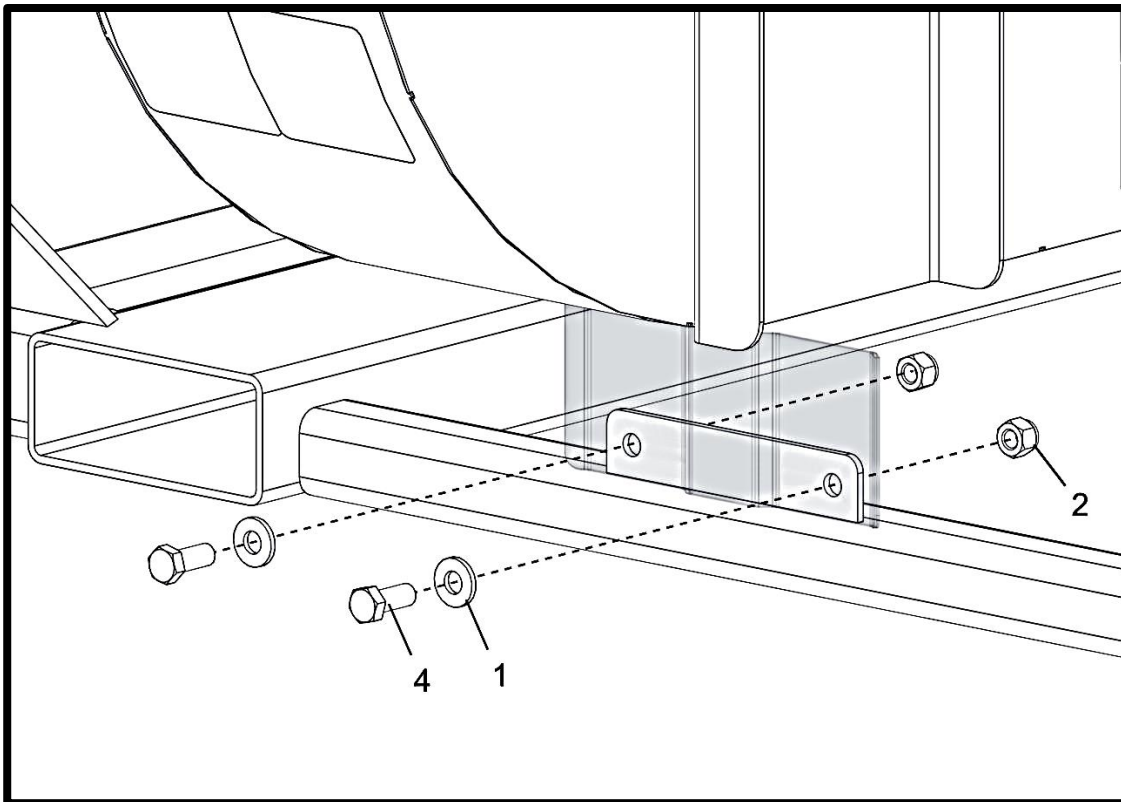
(*) Included In K000005 - Kit - Fan Hardware

(†) Included In K002095 - Kit - Fan Hub Hardware (QD Bushing)

Meter Supports



Fan Support



P/N's followed by “_” are color coded parts.

Color codes: AA = Black Paint, ZZ = Gray, ZY = Yellow, ZX = White
See inside front cover for details.

12/05/2023 - REV. B

SN#: 8 & 12 Row - 21643 - 22088

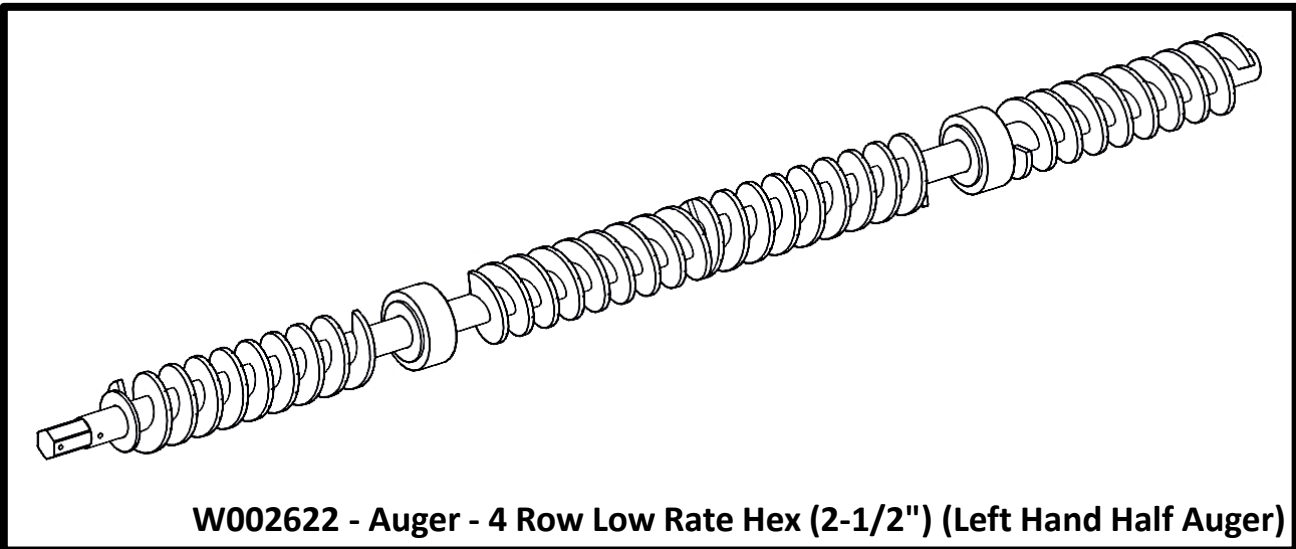
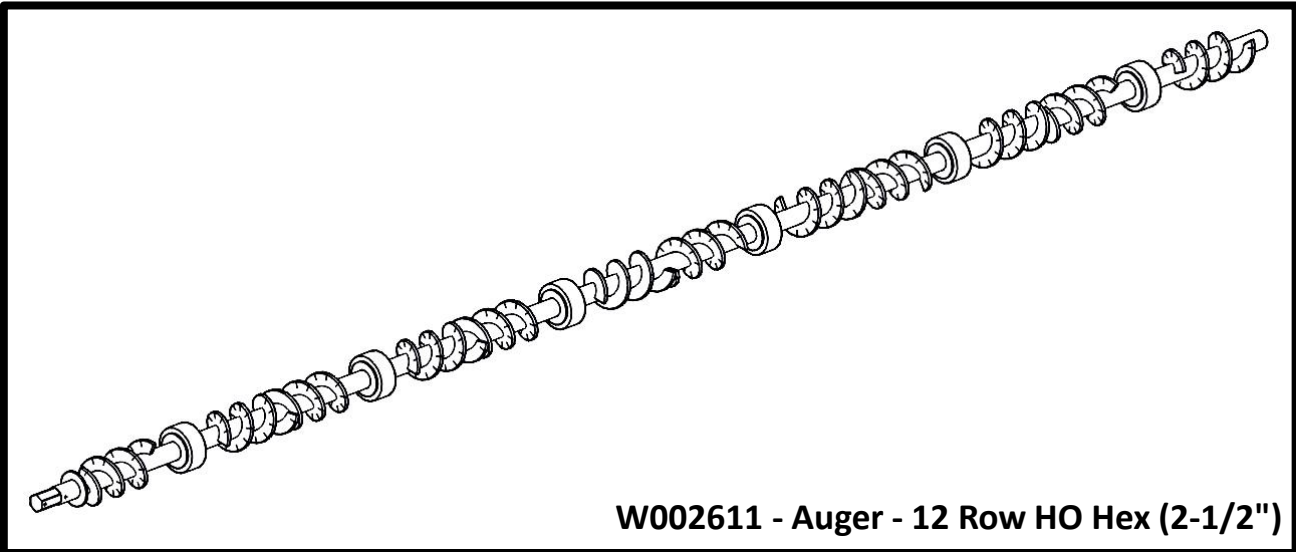
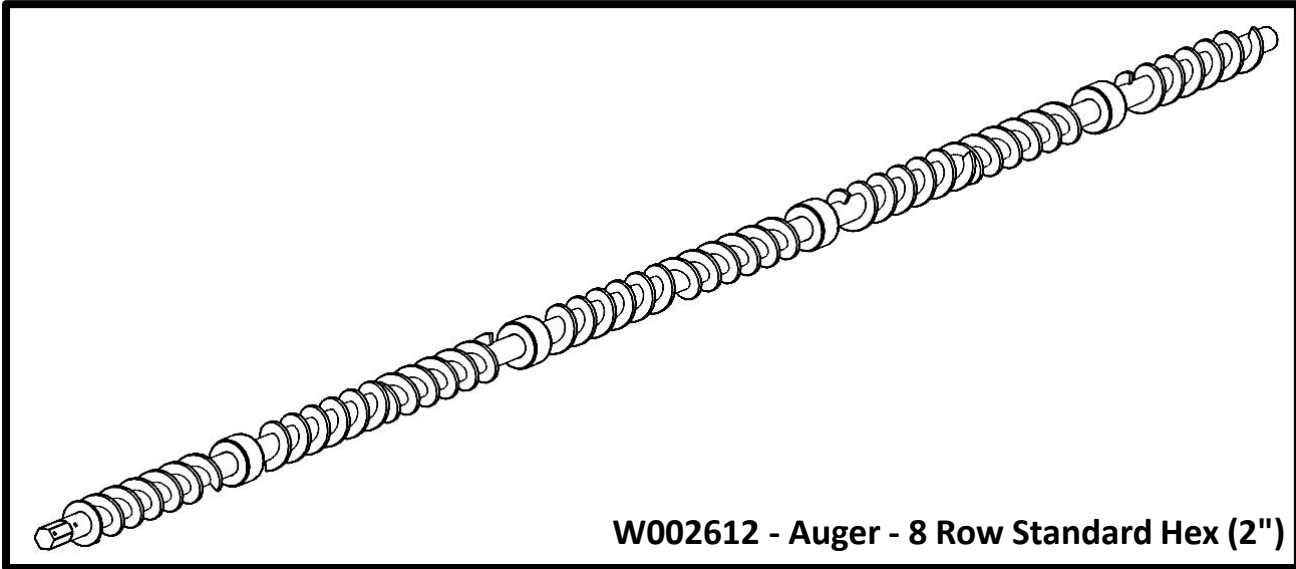
SN# 16/18/24 Row - 21643 - 22149

Meter And Fan Supports

| Item No. | Qty | Part Number | Description |
|----------|-----|-------------|--|
| 1 | 6 | M002343 | Washer - .53" I.D. x 1.25 O.D. x .135 Flat (304 S/S) |
| 2 | 6 | P000106 | Nut - 1/2-13 Hex Nylon Lock (F594 316 S/S FB) * |
| 3 | 4 | P000114 | Washer - 1/2" Flat (1.25" OD) (18-8 S/S FB) * |
| 4 | 6 | P002477 | Bolt - 1/2-13 x 1.25 x 1.25 Hex (F593 304 S/S FB) * |

(*) Included In K002080 - Kit - Cradle/Meter Bolts Hardware (S/S)

Auger Variations



Auger Variations*

Standard Rate Augers

| | |
|---------|--|
| W002623 | Auger - 4 Row STD Hex (2")(Left Hand Half Auger) |
| W002631 | Auger - 4 Row STD Hex (2") (Right Hand Half Auger) |
| W002624 | Auger - 6 Row STD Hex (2") (Left Hand Half Auger) |
| W002632 | Auger - 6 Row STD Hex (2") (Right Hand Half Auger) |
| W002612 | Auger - 8 Row STD Hex (2") |
| W002609 | Auger - 12 Row STD Hex (2") |
| W002618 | Auger - 18 Row Front STD Hex (2") |

High Output Rate Augers

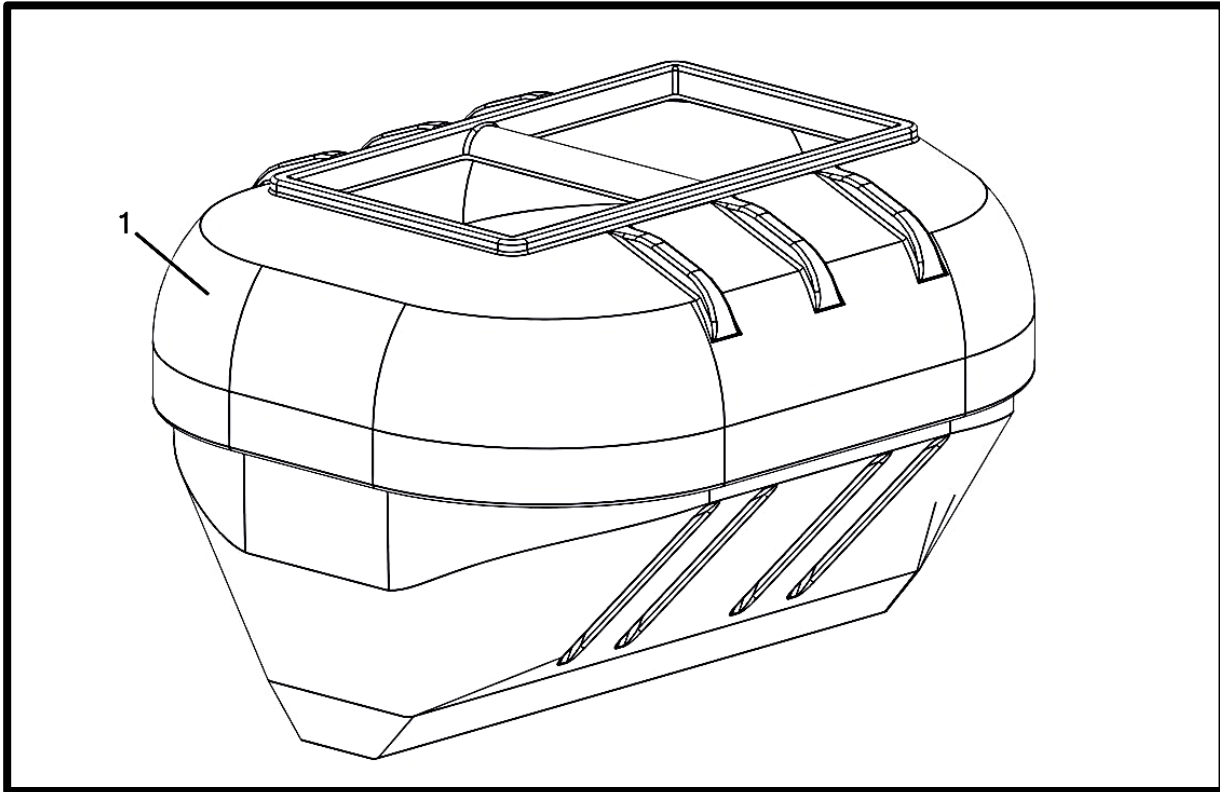
| | |
|---------|---|
| W002621 | Auger - 4 Row HO Hex (2-1/2") (Left Hand Half Auger) |
| W002628 | Auger - 4 Row HO Hex (2-1/2") (Right Hand Half Auger) |
| W002620 | Auger - 6 Row HO Hex (2-1/2") (Left Hand Half Auger) |
| W002627 | Auger - 6 Row HO Hex (2-1/2") (Right Hand Half Auger) |
| W002613 | Auger - 8 Row HO Hex (2-1/2") |
| W002611 | Auger - 12 Row HO Hex (2-1/2") |
| W002617 | Auger - 18 Row Front HO Hex (2-1/2") |

Low Rate Augers

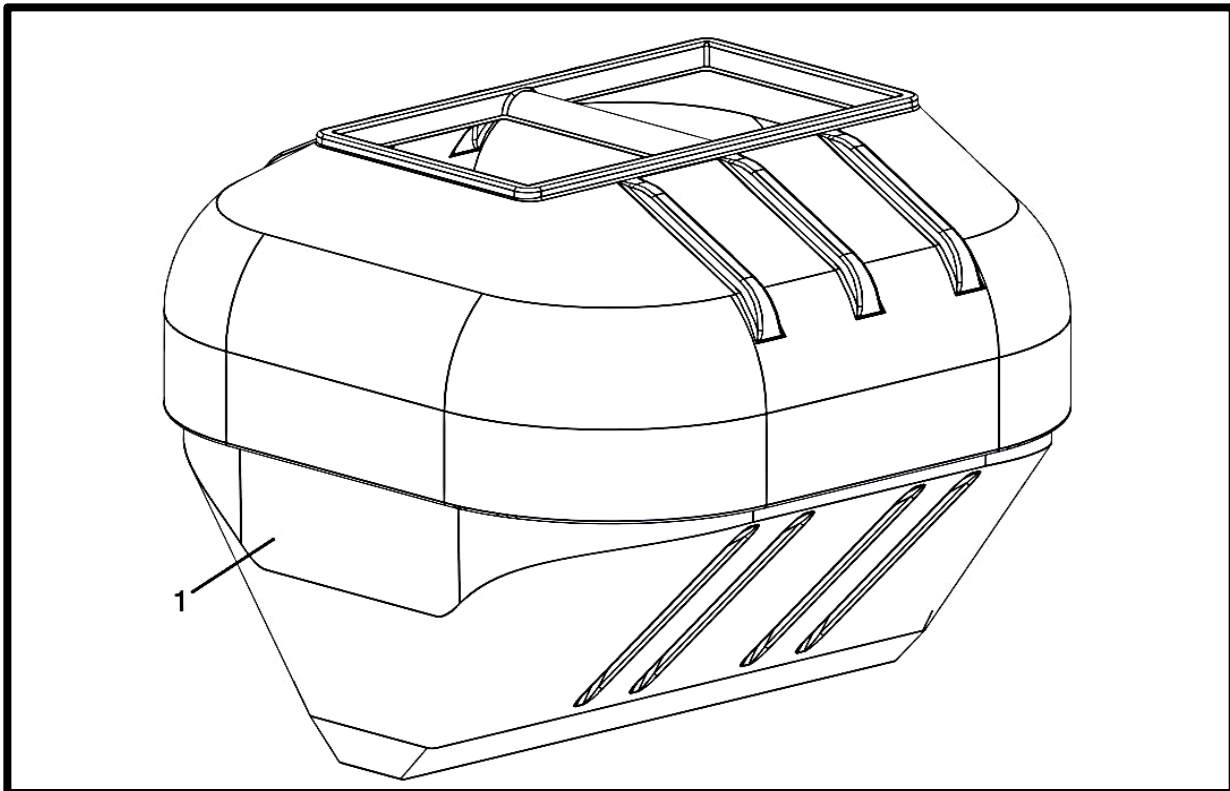
| | |
|---------|---|
| W002626 | Auger - 4 Row Low Rate Hex (2")(Left Hand Half Auger) |
| W002634 | Auger - 4 Row Low Rate Hex (2")(Right Hand Half Auger) |
| W002622 | Auger - 4 Row Low Rate Hex (2-1/2") (Left Hand Half Auger) |
| W002630 | Auger - 4 Row Low Rate Hex (2-1/2") (Right Hand Half Auger) |
| W002625 | Auger - 6 Row Low Rate Hex (2")(Left Hand Half Auger) |
| W002633 | Auger - 6 Row Low Rate Hex (2")(Right Hand Half Auger) |
| W002619 | Auger - 6 Row Low Rate Hex (2-1/2")(Left Hand Half Auger) |
| W002629 | Auger - 6 Row Low Rate Hex (2-1/2")(Right Hand Half Auger) |
| W002615 | Auger - 8 Row Low Rate Hex (2") |
| W002610 | Auger - 8 Row Low Rate Hex (2-1/2") |
| W002616 | Auger - 12 Row Low Rate Hex (2") |
| W002614 | Auger - 12 Row Low Rate Hex (2-1/2") |

*** Augers Listed Here Are For Model Year 2019
Serial Numbers (21131, 21198 - 21__ __)
Augers Compatible With Older Models May Be Available,
Contact Customer Service For Details**

6 Ton Tank



9 Ton Tank



P/N's followed by “_” are color coded parts.

Color codes: AA = Black Paint, ZZ = Gray, ZY = Yellow, ZX = White
See inside front cover for details.

12/05/2023 - REV. B

SN#: 8 & 12 Row - 21643 - 22088

SN# 16/18/24 Row - 21643 - 22149

6 Ton Tank

| Item No. | Qty. | Part Number | Description |
|----------|------|-------------|-------------------|
| 1 | 1 | P000185__ | Tank - Poly 6 Ton |

AVAILABLE TANK COLORS

ZZ = Gray Poly

ZY = Yellow Poly

ZX = White Poly

9 Ton Tank

| Item No. | Qty. | Part Number | Description |
|----------|------|-------------|-------------------|
| 1 | 1 | P000186__ | Tank - Poly 9 Ton |

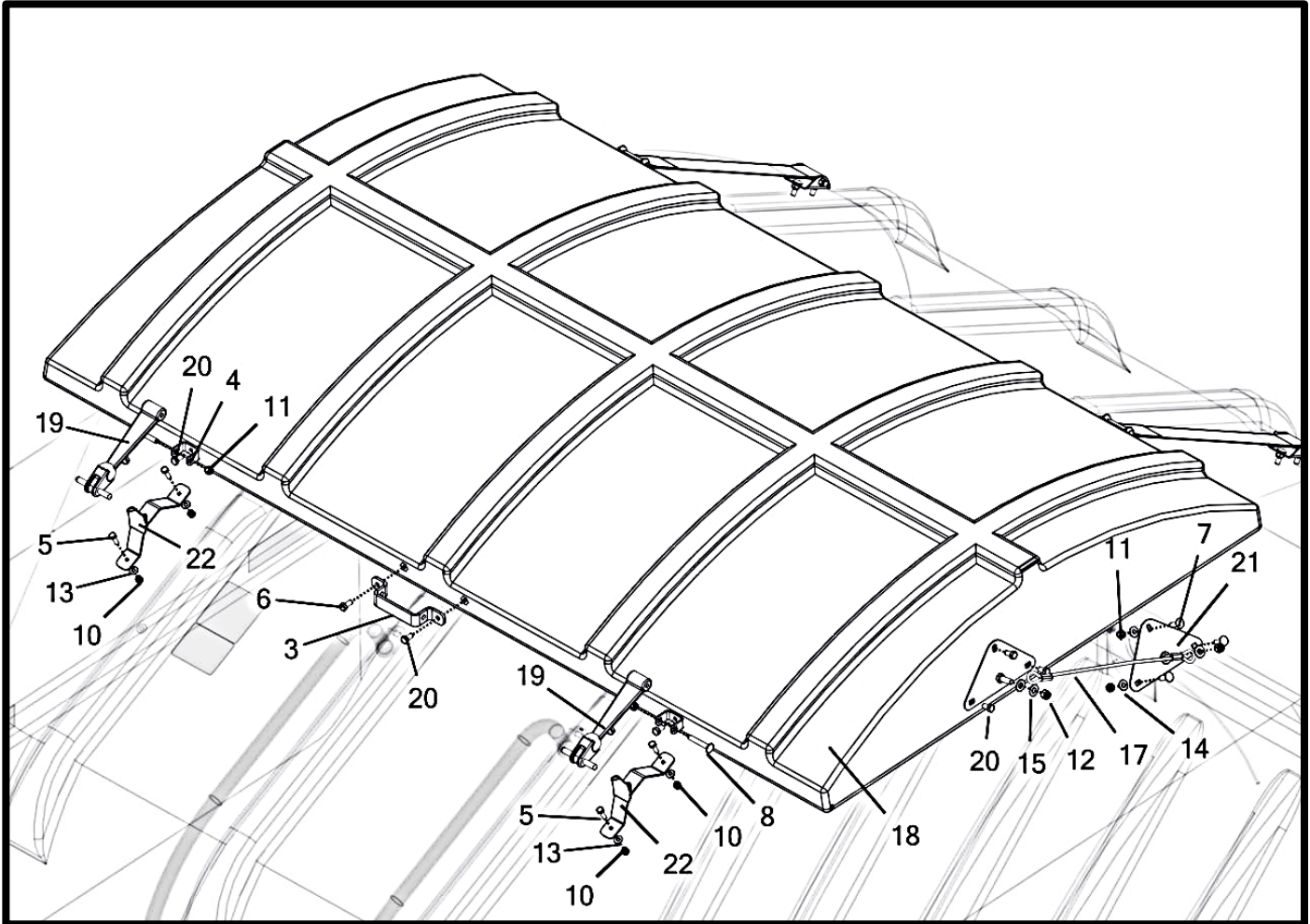
AVAILABLE TANK COLORS

ZZ = Gray Poly

ZY = Yellow Poly

ZX = White Poly

Lid - Deck Side



Lid - Deck Side

| Item No. | Qty | Part Number | Description |
|----------|-----|-------------|---|
| 1 | 2 | M000010 | Bracket - Tank Strap |
| 2 | 2 | M000011 | Bracket - Lid Strap |
| 3 | 1 | M000016 | Handle - Poly Lid |
| 4 | 2 | M000619 | Bracket - Lid Latch Swivel |
| 5 | 4 | P000091 | Bolt - 1/4-20 x 1 x 0.75 Hex (F593 304 S/S FB) † |
| 6 | 1 | P000093 | Bolt - 5/16-18 x 0.75 x 0.75 Hex (F593 304 S/S FB) * |
| 7 | 10 | P000094 | Bolt - 5/16-18 x 1 x 1 Carriage (F593 304 S/S FB) † |
| 8 | 2 | P000095 | Bolt - 5/16-18 x 2 x 0.875 Carriage (F593 304 S/S FB) * |
| 9 | 4 | P000096 | Bolt - 5/16-18 x 3 x 3 Carriage (F593 304 S/S FB) * † |
| 10 | 4 | P000103 | Nut - 1/4-20 Hex Nylon Lock (F594 316 S/S FB) † |
| 11 | 14 | P000104 | Nut - 5/16-18 Hex Nylon Lock (F594 316 S/S FB) * † |
| 12 | 4 | P000105 | Nut - 3/8-16 Hex Nylon Lock (F594 316 S/S FB) * † |
| 13 | 4 | P000107 | Washer - 1/4" Flat (0.625" OD) (18-8 S/S FB) † |
| 14 | 9 | P000109 | Washer - 5/16" Flat (0.75" OD) (18-8 S/S FB) † |
| 15 | 8 | P000111 | Washer - 3/8" Flat (0.875" OD) (18-8 S/S FB) * |
| 16 | 2 | P000129 | Strap - Lid |
| 17 | 2 | P000130 | Cable - Lid |
| 18 | 1 | P000187__ | Tank Lid - Poly |
| 19 | 2 | P000553 | Latch - Lid Components (2011-Present) |
| 20 | 11 | P000610 | Bolt - 5/16-18 x 0.625 x 0.625 Hex (F593 304 S/S FB) * |
| 21 | 4 | W000100 | Bracket - Lid Cable |
| 22 | 2 | W000167 | Bracket - Lid Latch Weldment |

(*) Included In K000016 - Kit - Lid Hardware

(†) Included In K000019 - Kit - Lid to Tank Hardware

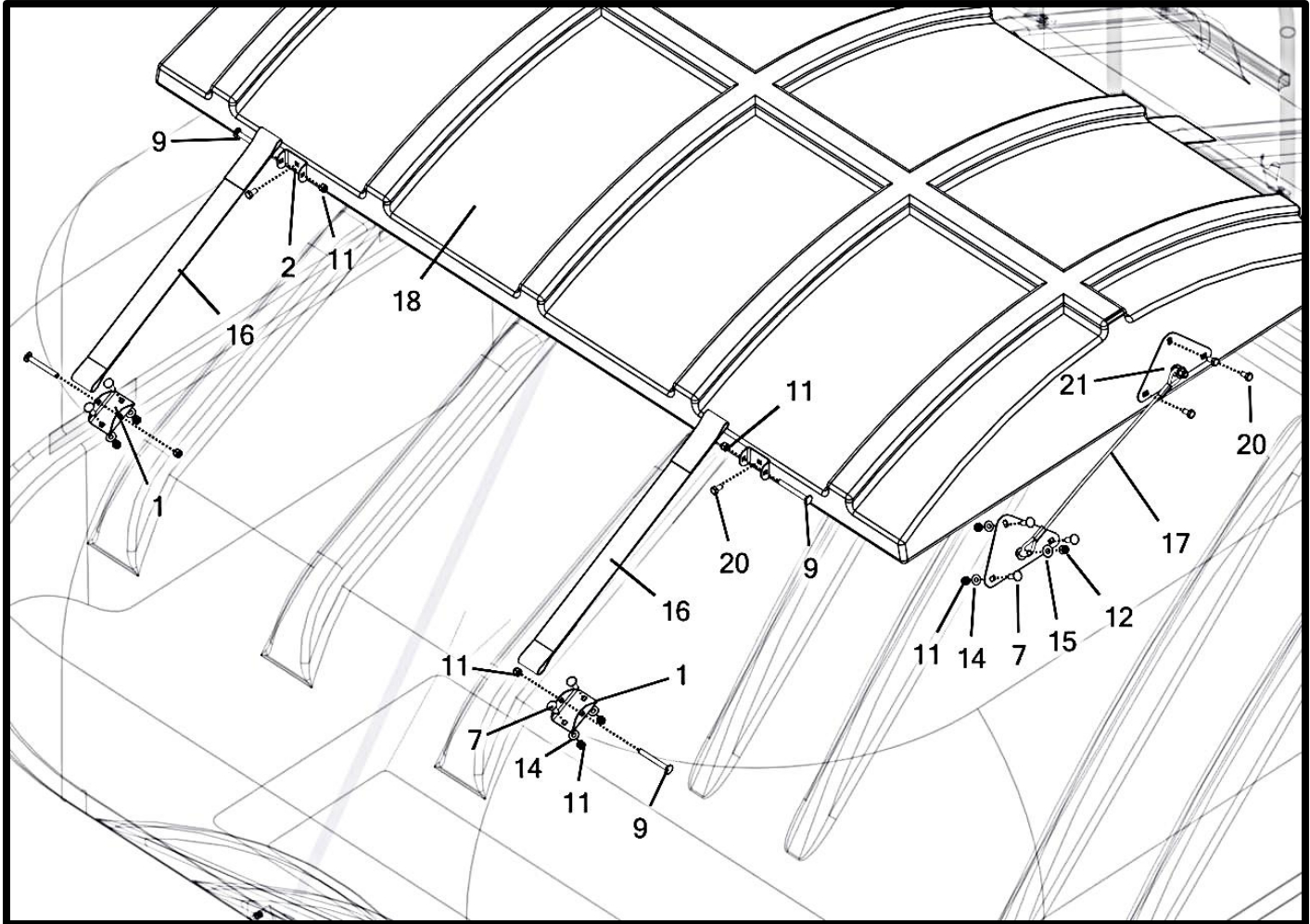
AVAILABLE TANK COLORS

ZZ = Gray Poly

ZY = Yellow Poly

ZX = White Poly

Lid - Non-deck Side



Lid - Non-deck Side

| Item No. | Qty | Part Number | Description |
|----------|-----|-------------|---|
| 1 | 2 | M000010 | Bracket - Tank Strap |
| 2 | 2 | M000011 | Bracket - Lid Strap |
| 3 | 1 | M000016 | Handle - Poly Lid |
| 4 | 2 | M000619 | Bracket - Lid Latch Swivel |
| 5 | 4 | P000091 | Bolt - 1/4-20 x 1 x 0.75 Hex (F593 304 S/S FB) † |
| 6 | 1 | P000093 | Bolt - 5/16-18 x 0.75 x 0.75 Hex (F593 304 S/S FB) * |
| 7 | 10 | P000094 | Bolt - 5/16-18 x 1 x 1 Carriage (F593 304 S/S FB) † |
| 8 | 2 | P000095 | Bolt - 5/16-18 x 2 x 0.875 Carriage (F593 304 S/S FB) * |
| 9 | 4 | P000096 | Bolt - 5/16-18 x 3 x 3 Carriage (F593 304 S/S FB) * † |
| 10 | 4 | P000103 | Nut - 1/4-20 Hex Nylon Lock (F594 316 S/S FB) † |
| 11 | 14 | P000104 | Nut - 5/16-18 Hex Nylon Lock (F594 316 S/S FB) * † |
| 12 | 4 | P000105 | Nut - 3/8-16 Hex Nylon Lock (F594 316 S/S FB) * † |
| 13 | 4 | P000107 | Washer - 1/4" Flat (0.625" OD) (18-8 S/S FB) † |
| 14 | 9 | P000109 | Washer - 5/16" Flat (0.75" OD) (18-8 S/S FB) † |
| 15 | 8 | P000111 | Washer - 3/8" Flat (0.875" OD) (18-8 S/S FB) * |
| 16 | 2 | P000129 | Strap - Lid |
| 17 | 2 | P000130 | Cable - Lid |
| 18 | 1 | P000187__ | Tank Lid - Poly |
| 19 | 2 | P000553 | Latch - Lid Components (2011-Present) |
| 20 | 11 | P000610 | Bolt - 5/16-18 x 0.625 x 0.625 Hex (F593 304 S/S FB) * |
| 21 | 4 | W000100 | Bracket - Lid Cable |
| 22 | 2 | W000167 | Bracket - Lid Latch Weldment |

(*) Included In K000016 - Kit - Lid Hardware

(†) Included In K000019 - Kit - Lid to Tank Hardware

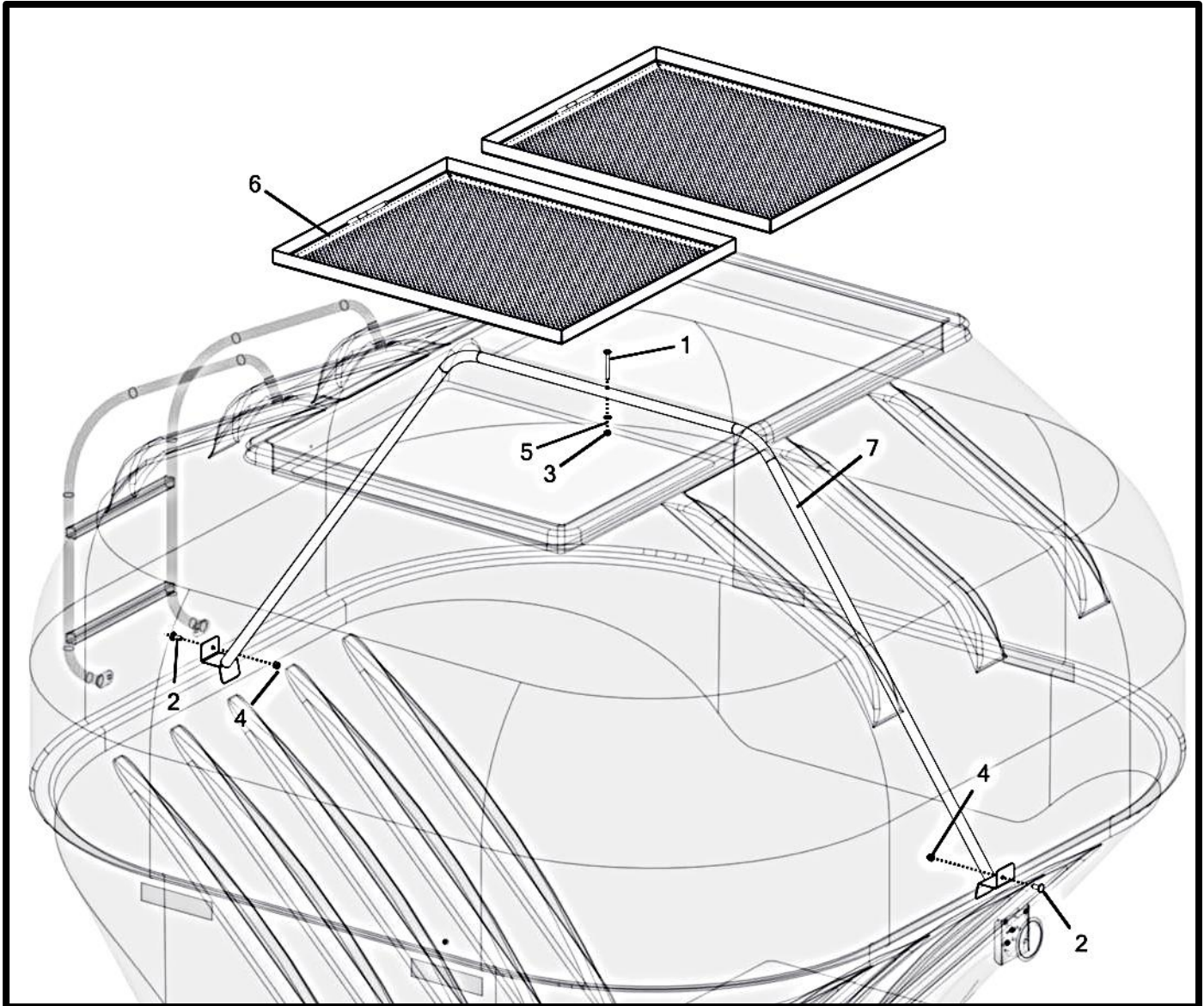
AVAILABLE TANK COLORS

ZZ = Gray Poly

ZY = Yellow Poly

ZX = White Poly

Inside Tank

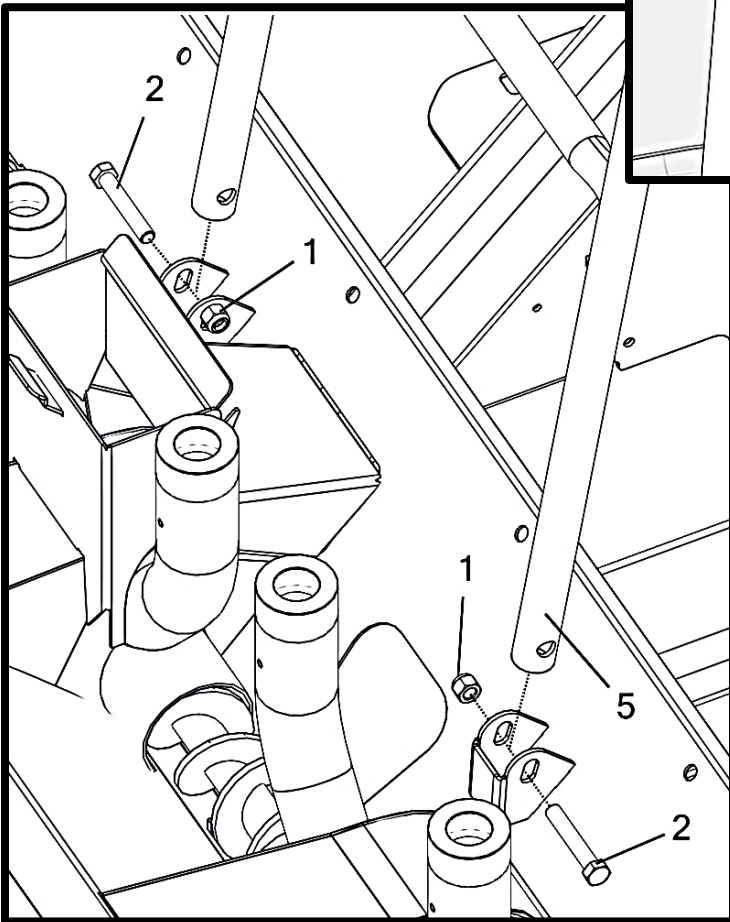
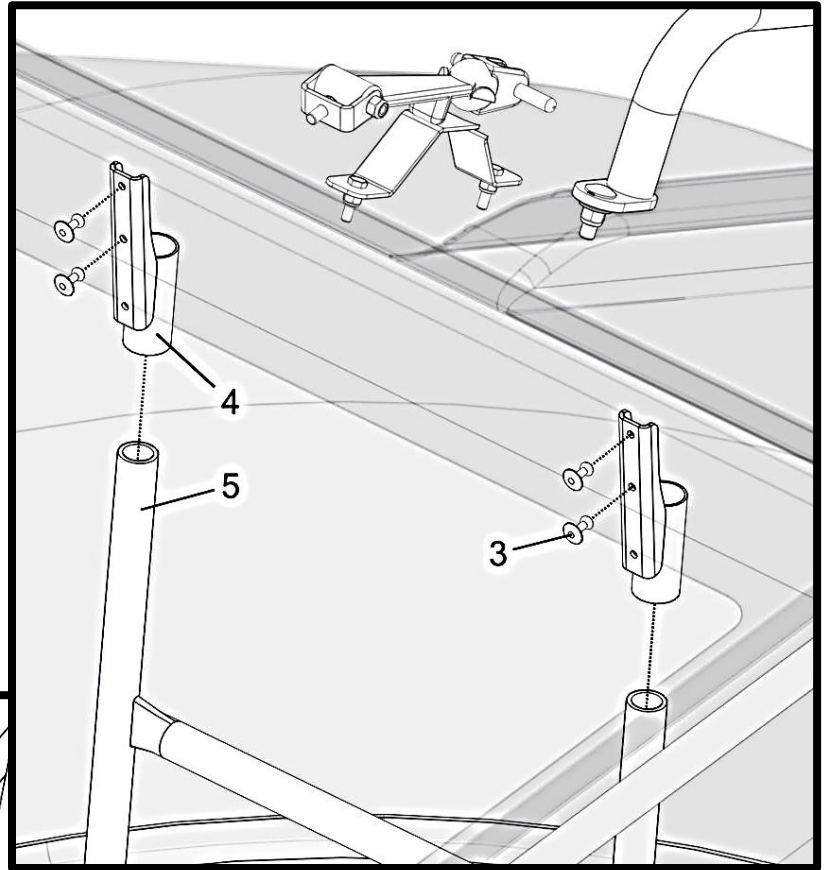


Inside Tank

| Item No. | Qty | Part Number | Description |
|----------|-----|-------------|---|
| 1 | 1 | P000096 | Bolt - 5/16-18 x 3 x 3 Carriage (F593 304 S/S FB) * |
| 2 | 2 | P000098 | Bolt - 3/8-16 x 1 x 1 Carriage (F593 304 S/S FB) * |
| 3 | 1 | P000104 | Nut - 5/16-18 Hex Nylon Lock (F594 316 S/S FB) * |
| 4 | 2 | P000105 | Nut - 3/8-16 Hex Nylon Lock (F594 316 S/S FB) * |
| 5 | 1 | P000109 | Washer - 5/16" Flat (0.75" OD) (18-8 S/S FB) * |
| 6 | 2 | W000071 | Screen - Tank Top (1/2" C/C) (Shown) |
| | | W000160 | Screen - Tank Top (3/4" C/C) |
| 7 | 1 | W000093 | Brace - Tank (9 Ton) (Shown) |
| | | W000092 | Brace - Tank (6 Ton) |

(†) Included In K000019 - Kit - Lid to Tank Hardware

Inside Tank Ladder



P/N's followed by “_” are color coded parts.

Color codes: AA = Black Paint, ZZ = Gray, ZY = Yellow, ZX = White
See inside front cover for details.

12/05/2023 - REV. B

SN#: 8 & 12 Row - 21643 - 22088

SN# 16/18/24 Row - 21643 - 22149

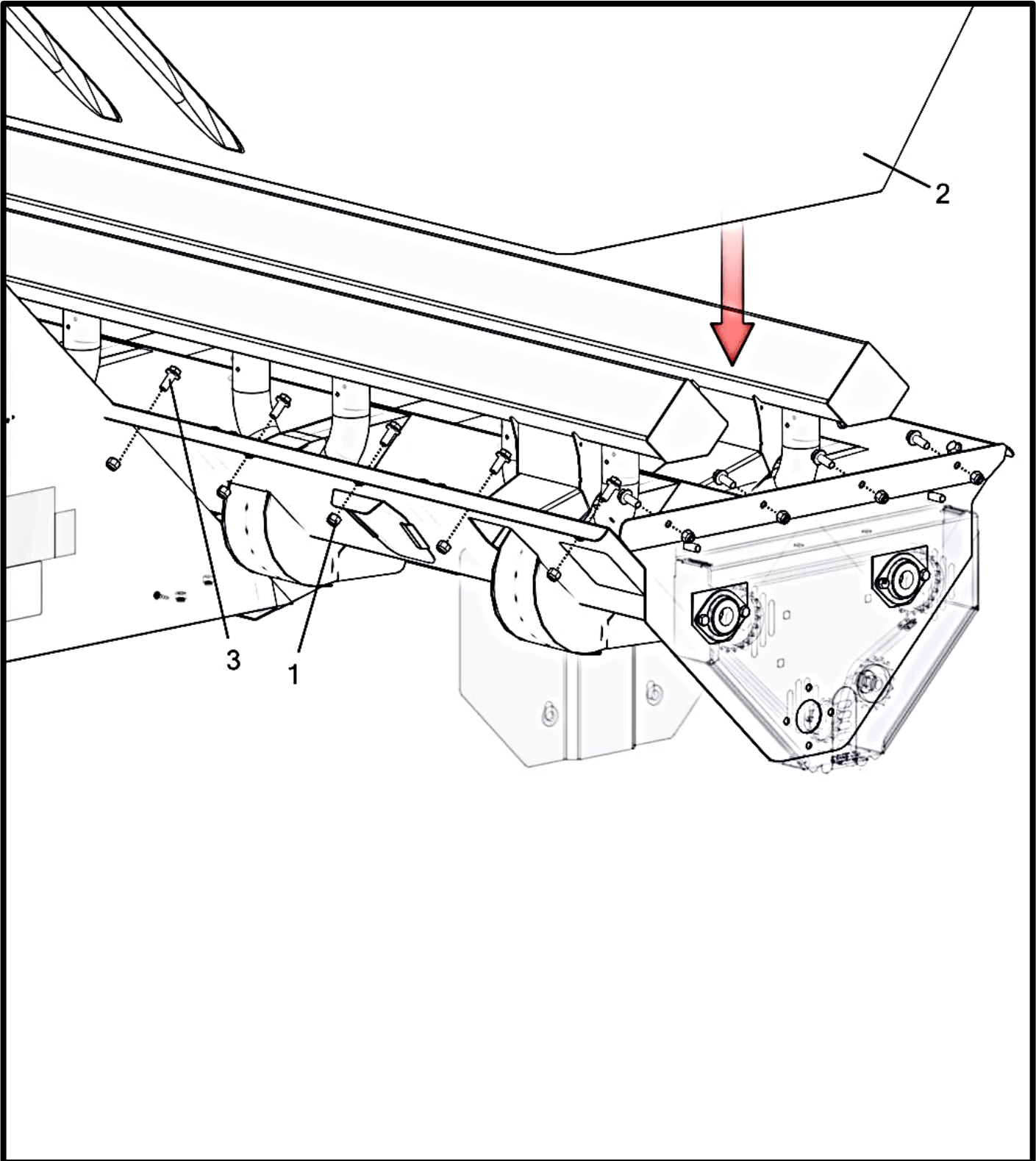
Inside Tank Ladder

| Item No. | Qty | Part Number | Description |
|----------|-----|--------------------|---|
| 1 | 2 | (R) P000105 | Nut - 3/8-16 Hex Nylon Lock (F594 316 S/S FB) * † |
| 2 | 2 | (R) P000930 | Bolt - 3/8-16 x 2.25 x 1 Hex (F593 304 S/S FB) * † |
| 3 | 4 | P002249 | Rivet - 3/16" Large Flange 5/8"-3/4" Grip (18-8 S/S FB) |
| 4 | 2 | W002368 | Bracket - Inside Tank Ladder Hold Gen 1I |
| 5 | 1 | W002602 | Ladder - Twin Auger (9 Ton) Gen 1 Inside (Shown) |
| | 1 | W002603 | Ladder - Twin Auger (6 Ton) Gen 1 Inside |
| | 1 | W002606 | Ladder - Single Auger (9 Ton) Gen 1 Inside |
| | 1 | W002607 | Ladder - Single Auger (6 Ton) Gen 1 Inside |

(*) Included In **(R)** K002363 - Kit - Tank/Trough Hardware Gen 1 (Single Auger)

(†) Included In **(R)** K002364 - Kit - Tank/Trough Hardware Gen 1 (Twin Auger)

Tank To Meter



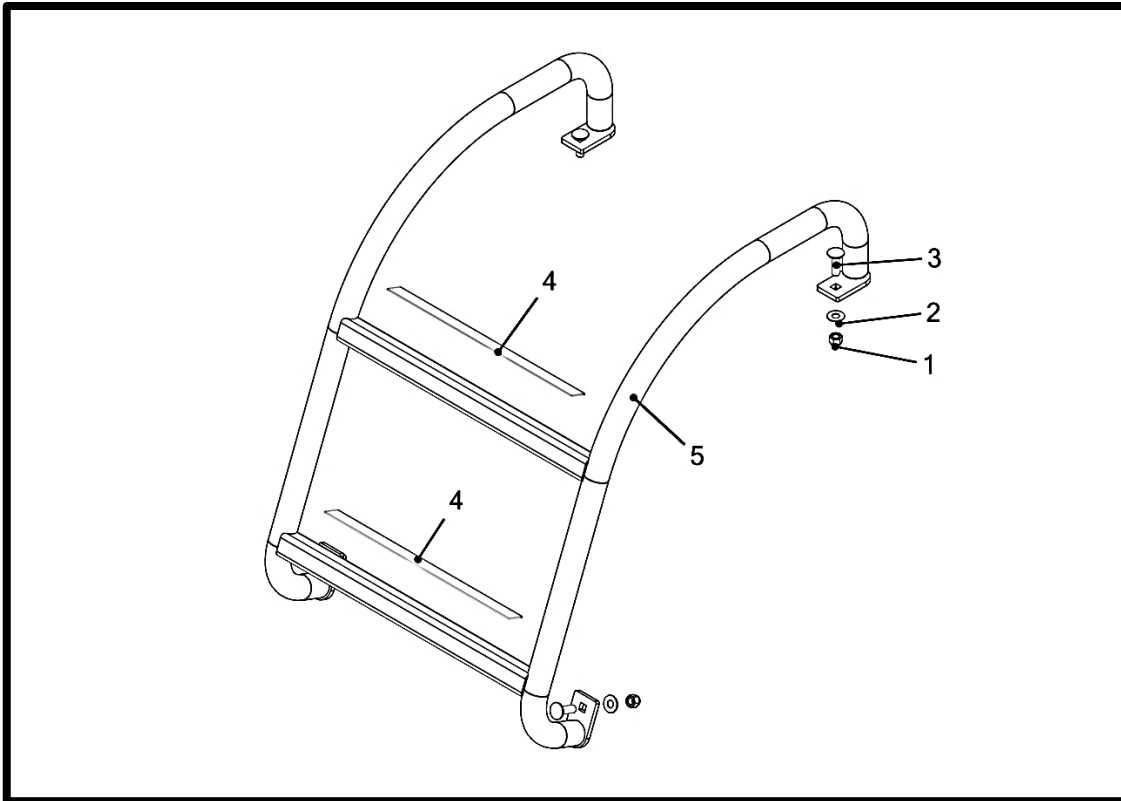
Tank To Meter

| Item No. | Qty | Part Number | Description |
|----------|-----|-------------|---|
| 1 | 28 | P000105 | Nut - 3/8-16 Hex Nylon Lock (F594 316 S/S FB) * † |
| 2 | 1 | P000186__ | Tank - Poly 9 Ton (Shown) |
| | 1 | P000185__ | Tank - Poly 6 Ton |
| 3 | 28 | P002541 | Bolt - 3/8-16 x 1 x 1 Flange (18-8 S/S FB) * † |

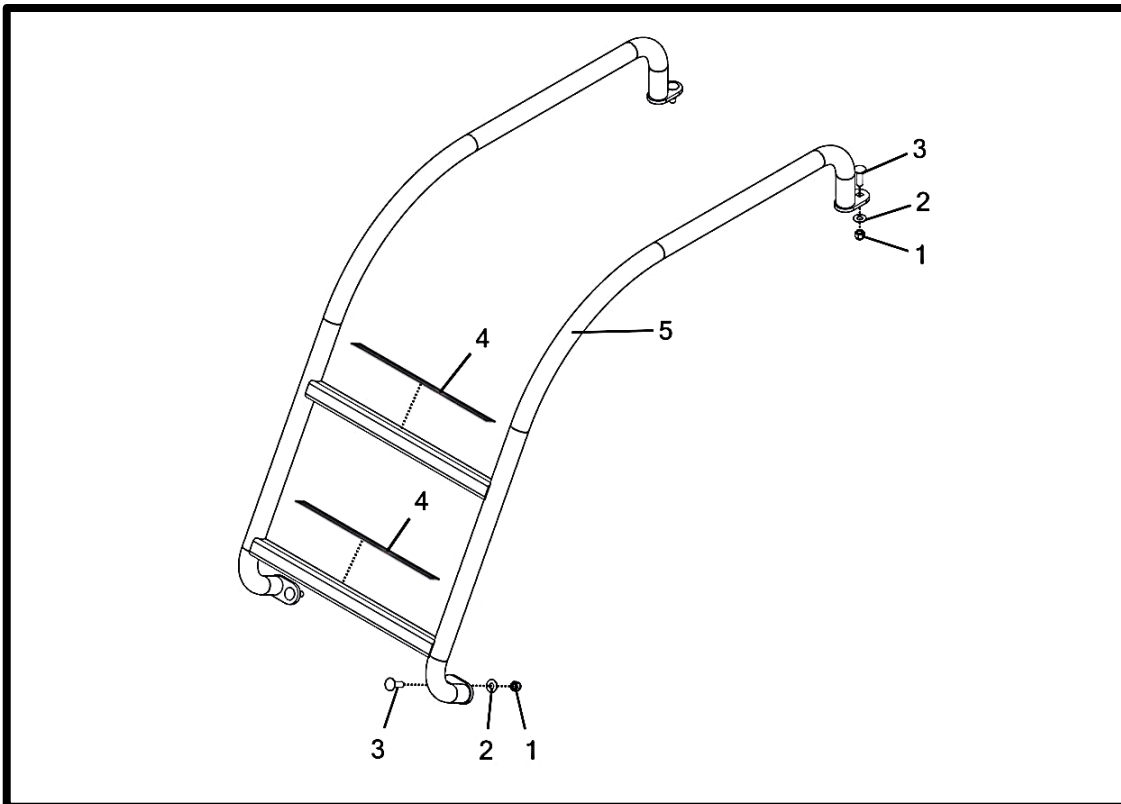
(*) Included In K002363 - Kit - Tank/Trough Hardware Gen 1 (Single Auger)

(†) Included In K002364 - Kit - Tank/Trough Hardware Gen 1 (Twin Auger)

Handrail - 6 Ton



Handrail - 9 Ton



P/N's followed by “_” are color coded parts.

Color codes: AA = Black Paint, ZZ = Gray, ZY = Yellow, ZX = White
See inside front cover for details.

12/05/2023 - REV. B

SN#: 8 & 12 Row - 21643 - 22088

SN# 16/18/24 Row - 21643 - 22149

Handrail - 6 Ton

| Item No. | Qty. | Part Number | Description |
|----------|------|------------------|---|
| | | A002451__ | Handrail - 6 Ton |
| 1 | 4 | P000105 | Nut - 3/8-16 Hex Nylon Lock (F594 316 S/S FB) * |
| 2 | 4 | P000111 | Washer - 3/8" Flat (0.875" OD) (18-8 S/S FB) * |
| 3 | 4 | P000303 | Bolt - 3/8-16 x 1.25 x 1 Carriage (F593 304 S/S FB) * |
| 4 | 2 | P000473 | Decal - Anti-Slip Safety Tape (1" x 13") Black 36g |
| 5 | 1 | W002583__ | Rail - 6 Ton Tank Hand |

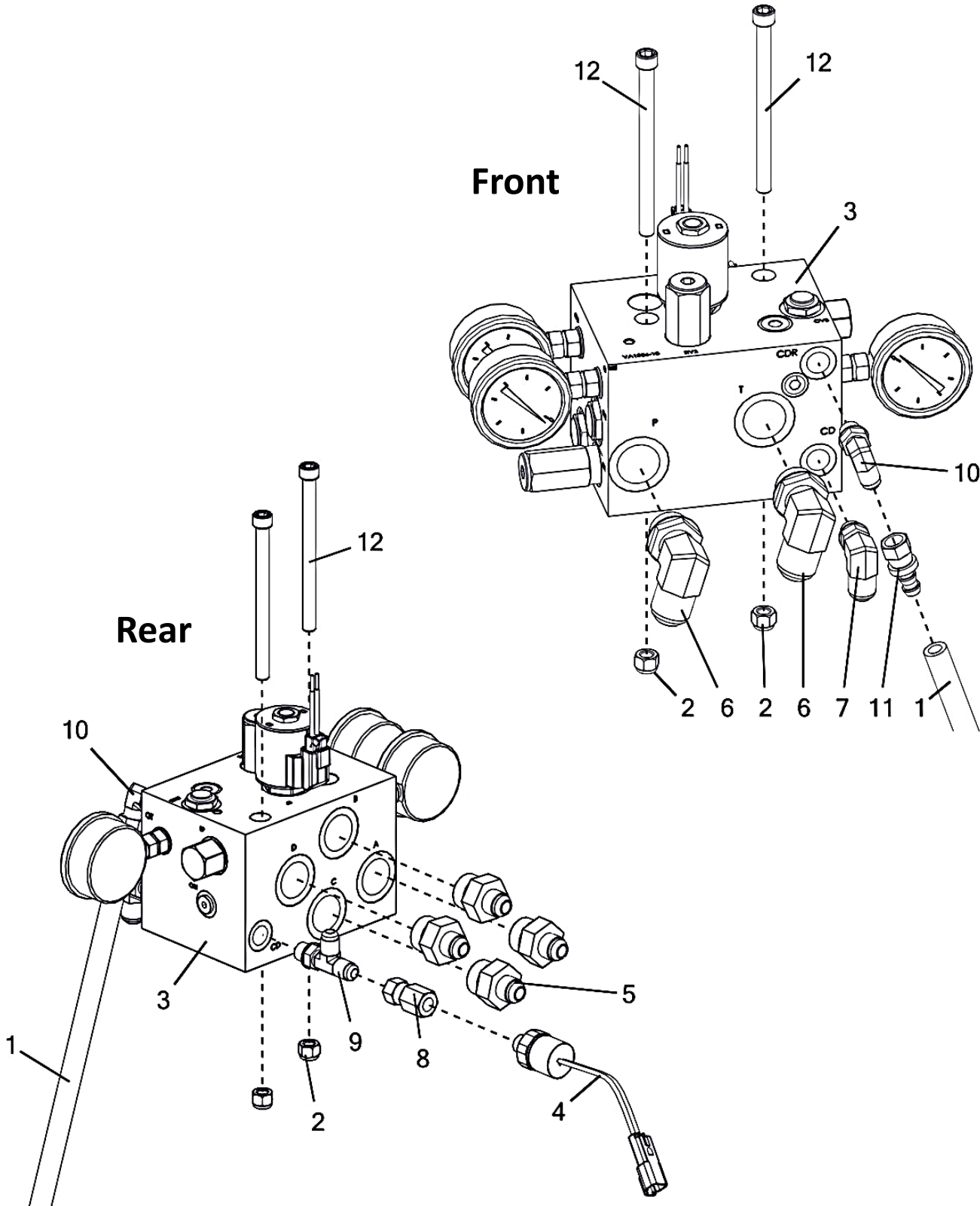
(*) Included In K000056 - Kit - Handrail Hardware

Handrail - 9 Ton

| Item No. | Qty. | Part Number | Description |
|----------|------|------------------|---|
| | | A002449__ | Handrail - 9 Ton |
| 1 | 4 | P000105 | Nut - 3/8-16 Hex Nylon Lock (F594 316 S/S FB) * |
| 2 | 4 | P000111 | Washer - 3/8" Flat (0.875" OD) (18-8 S/S FB) * |
| 3 | 4 | P000303 | Bolt - 3/8-16 x 1.25 x 1 Carriage (F593 304 S/S FB) * |
| 4 | 2 | P000473 | Decal - Anti-Slip Safety Tape (1" x 13") Black 36g |
| 5 | 1 | W002582__ | Rail - 9 Ton Tank Hand |

(*) Included In K000056 - Kit - Handrail Hardware

Hydraulic Block



Hydraulic Block Fittings And Hardware

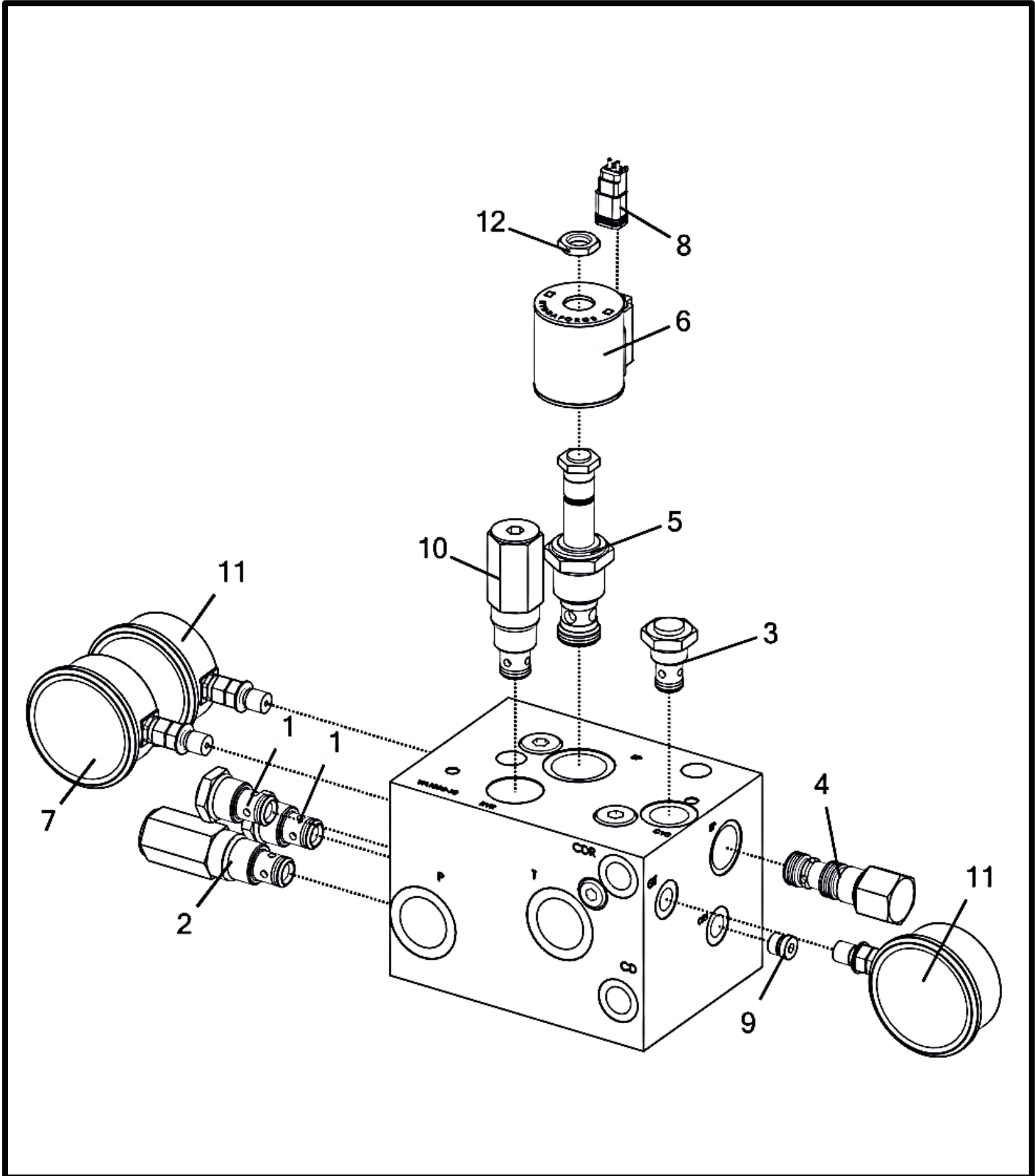
| Item No. | Qty. | Part Number | Description |
|----------|------|-------------|---|
| 1 | 1 | M001042 | Hose - Manifold Case Drain Bypass |
| 2 | 2 | P000105 | Nut - 3/8-16 Hex Nylon Lock (F594 316 S/S FB) * † |
| 3 | 1 | P000352 | Manifold - Hydraulic Control |
| 4 | 1 | P000378 | Switch - Hyd Pressure Sensor (15-35 PSI) (Case Drain) |
| 5 | 4 | P000384 | Fitting - Hyd - #12 M O-Ring x M #8 JIC Straight ‡ |
| | | P002585 | O-Ring - #12 Buna (4000-12) |
| 6 | 2 | P000385 | Fitting - Hyd - #12 M JIC x #12 M O-Ring Elbow 90 ‡ |
| | | P002585 | O-Ring - #12 Buna (4000-12) |
| 7 | 1 | P000386 | Fitting - Hyd - #6 M O-Ring x #8 M JIC Elbow 90 ‡ |
| | | P002582 | O-Ring - #6 Buna (4000-06) |
| 8 | 1 | P000388 | Fitting - Hyd - #6 F JIC x 1/4" F Pipe Adapter Union ‡ |
| 9 | 1 | P000389 | Fitting - Hyd - 1&3=#6 M JIC, 2=#6 M O-Ring Tee ‡ |
| | | P002582 | O-Ring - #6 Buna (4000-06) |
| 10 | 1 | P000390 | Fitting - Hyd - #6 M O-Ring x #6 M JIC Elbow 90 ‡ |
| | | P002582 | O-Ring - #6 Buna (4000-06) |
| 11 | 1 | P000391 | Fitting - #6 F JIC Adapter to 3/8" Push-Lock Barb ‡ |
| 12 | 2 | P000619 | Bolt - 3/8-16 x 5 x 1 Socket Head (F593 316 S/S FB) * † |

(*) Included In K002128 - Kit - Hydraulic Auger Drive Hardware (S/S)

(†) Included In K002081 - Kit - Hydraulic Auger Drive Hardware (Twin Auger) (S/S)

(‡) Included In K000031 - Kit - Hydraulic Fittings and Hoses for Manifold Units

Hydraulic Block Components (P000352)



P/N's followed by “_” are color coded parts.

Color codes: AA = Black Paint, ZZ = Gray, ZY = Yellow, ZX = White
See inside front cover for details.

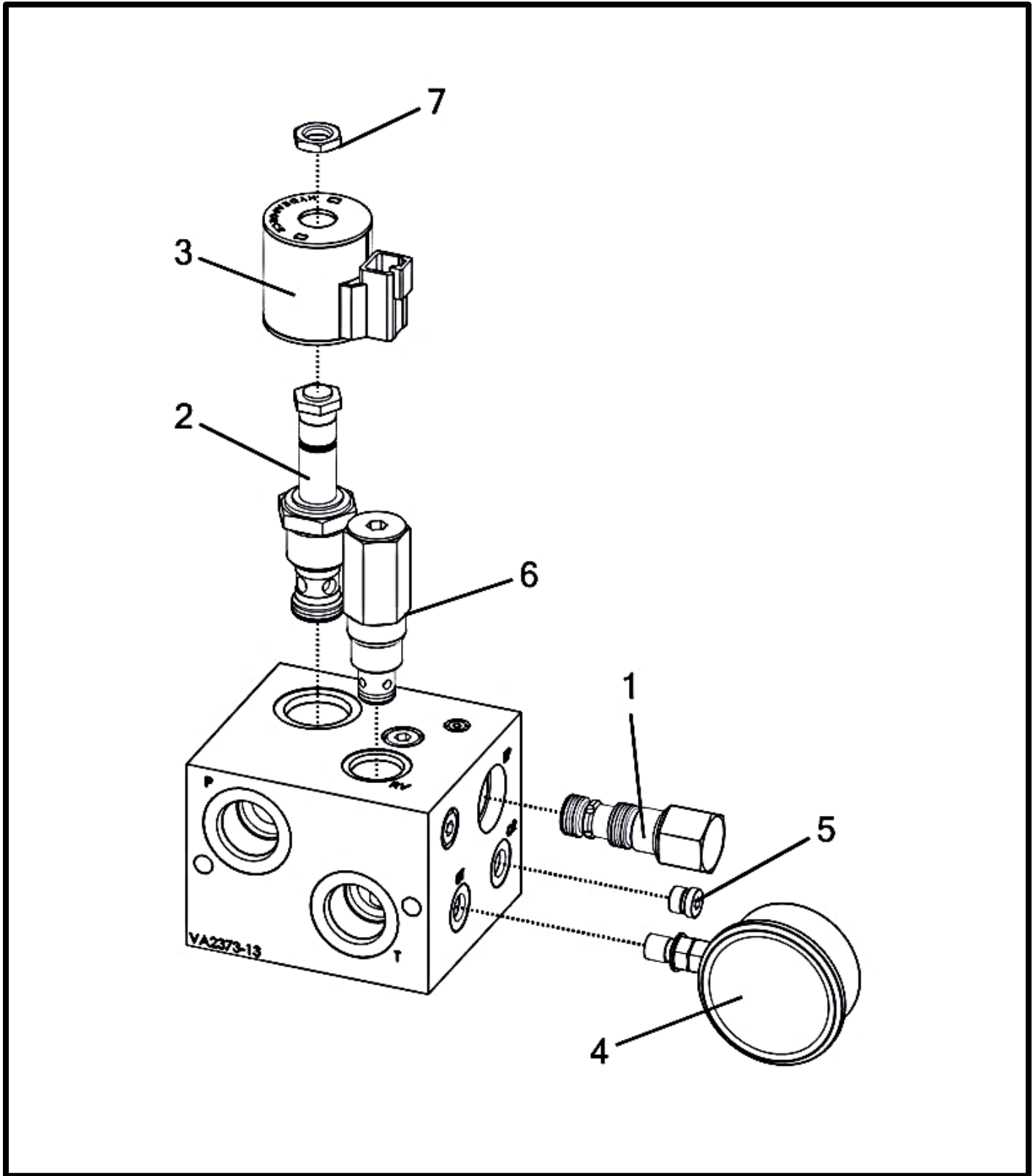
12/05/2023 - REV. B

SN#: 8 & 12 Row - 21643 - 22088
SN# 16/18/24 Row - 21643 - 22149

Hydraulic Block Components (P000352)

| Item No. | Qty | Part Number | Description |
|----------|-----|-------------|--|
| 1 | 2 | P000355 | Valve - Hyd. - #10 Size Check, 20 GPM, 10 PSI (565845) |
| | | P002568 | Kit - 565803 Replacement Seal |
| 2 | 1 | P000356 | Valve - Hyd. - #10 Size Relief Differential, Poppet, 20 GPM, 3000 PSI (889553) |
| | | P002568 | Kit - 565803 Replacement Seal |
| 3 | 1 | P000358 | Valve - Hyd. - #8 Size Check, 8 GPM, 25PSI (02-171258) |
| | | P002569 | Kit - 02-165875 Replacement Seal |
| 4 | 1 | P000359 | Valve - Hyd. - #10 Size EP Logic Element, 20 GPM, 80 PSI (EPFR50-S35-0-N-80) |
| | | P002570 | Kit - SK10-3N-MM Replacement Seal |
| 5 | 1 | P000360 | Valve - Hyd. - #12 Size Proportional Control, 2-Way, NC, Poppet (PWM) (SP12-20-0-N-00) |
| | | P002571 | Kit - SK12-2N-T Replacement Seal |
| 6 | 1 | P000361 | E-Coil - #10, 12 VDC, Deutsch DT04-2P (4303712) |
| 7 | 1 | P000362 | Gauge - Hyd. - 3000 PSI #4 O-Ring (7/16"-20) |
| | | P002581 | O-Ring - #4 Buna (4000-04) |
| 8 | 1 | P000363 | Harness - 2 Pin Deutsch w/ 9" Leads (DT06-2S) (shown with shortened leads) |
| 9 | 1 | P000787 | Plug - Hyd. - #04 O-Ring 6408-HHP-04 |
| | | P002581 | O-Ring - #4 Buna (4000-04) |
| 10 | 1 | P000947 | Valve - Hyd. - 10 Size Relief Differential Poppet 20 GPM, 750 PSI RV3-10-1-0-9/7.5 |
| | | P002568 | Kit - 565803 Replacement Seal |
| 11 | 2 | P002411 | Gauge - Hyd. - 1500 PSI #4 O-Ring (7/16"-20) |
| | | P002581 | O-Ring - #4 Buna (4000-04) |
| 12 | 1 | P002517 | Nut - Coil 7004400 |

Two Section Secondary Block (P000718)



P/N's followed by “_” are color coded parts.

Color codes: AA = Black Paint, ZZ = Gray, ZY = Yellow, ZX = White
See inside front cover for details.

12/05/2023 - REV. B

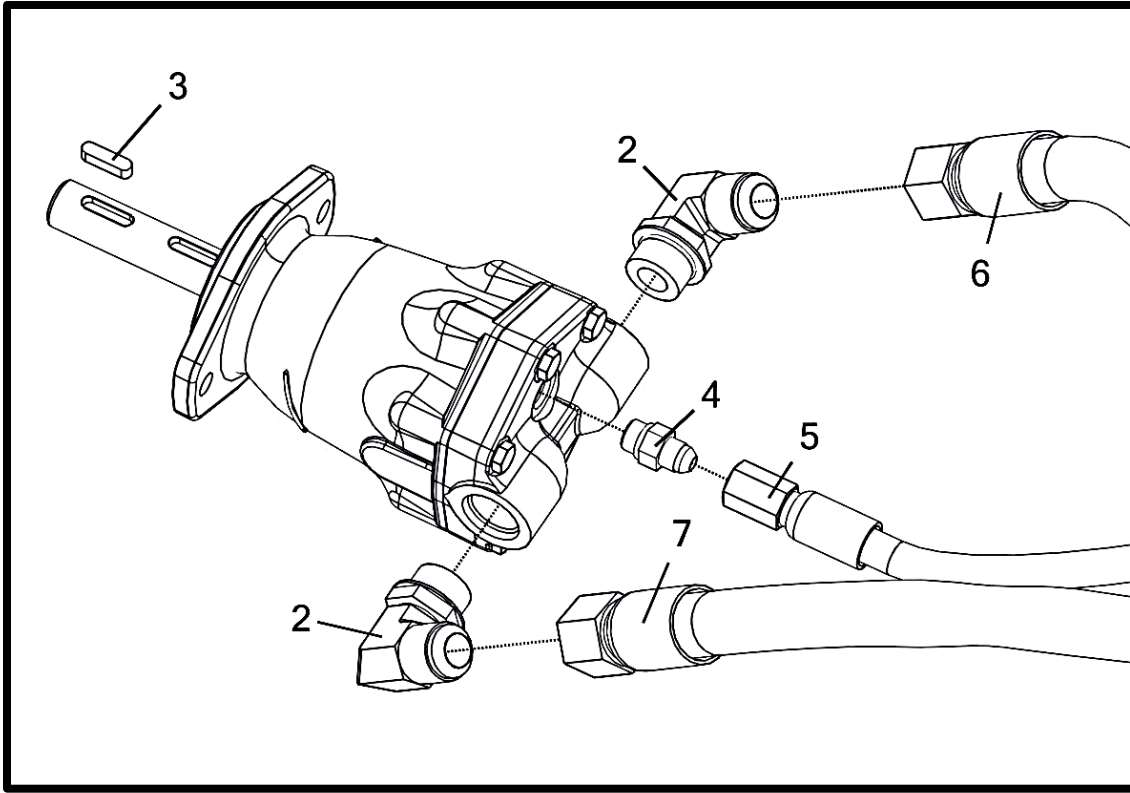
SN#: 8 & 12 Row - 21643 - 22088

SN# 16/18/24 Row - 21643 - 22149

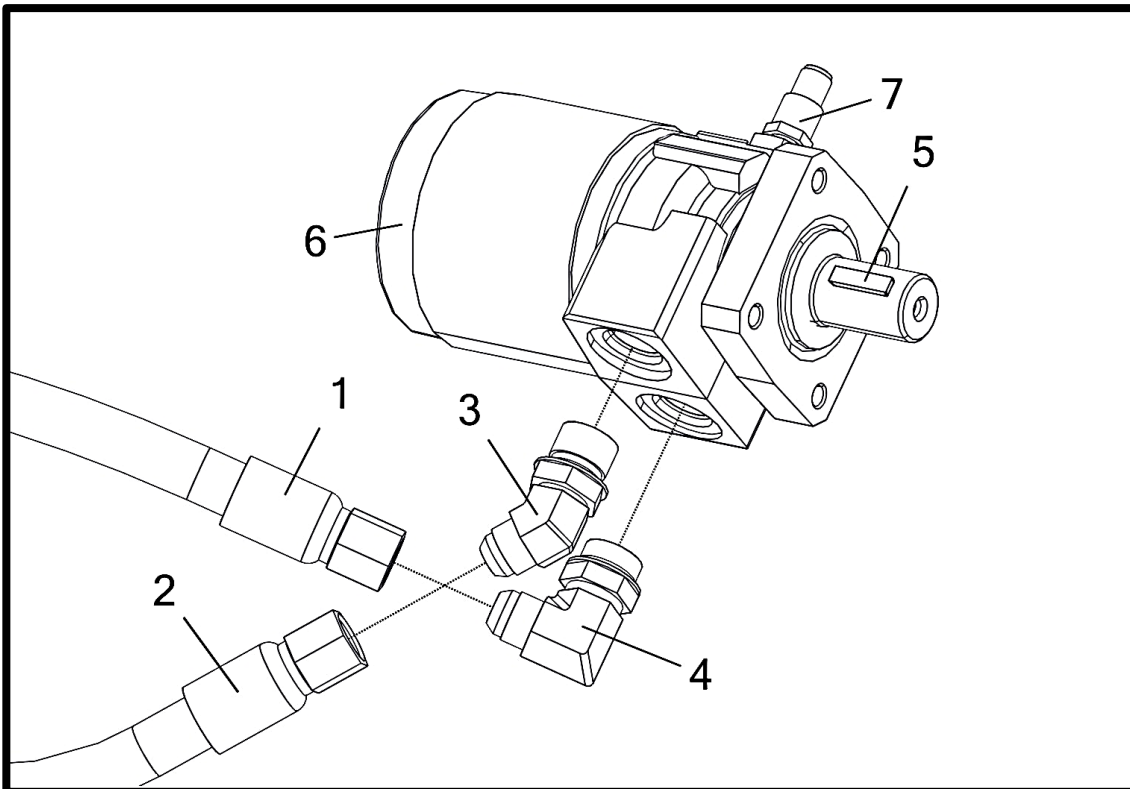
Two Section Secondary Block (P000718)

| Item No. | Qty | Part Number | Description |
|----------|-----|-------------|--|
| 1 | 1 | P000359 | Valve - Hyd. - #10 Size EP Logic Element, 20 GPM, 80 PSI (EPFR50-S35-0-N-80) |
| | | P002570 | Kit - SK10-3N-MM Replacement Seal |
| 2 | 1 | P000360 | Valve - Hyd. - #12 Size Proportional Control, 2-Way, NC, Poppet (PWM) (SP12-20-0-N-00) |
| | | P002571 | Kit - SK12-2N-T Replacement Seal |
| 3 | 1 | P000361 | E-Coil - #10, 12 VDC, Deutsch DT04-2P (4303712) |
| 4 | 1 | P002411 | Gauge - Hyd. - 1500 PSI #4 O-Ring (7/16"-20) |
| | | P002581 | O-Ring - #4 Buna (4000-04) |
| 5 | 1 | P000787 | Plug - Hyd. - #04 O-Ring 6408-HHP-04 |
| | | P002581 | O-Ring - #4 Buna (4000-04) |
| 6 | 1 | P000947 | Valve - Hyd. - 10 Size Relief Differential Poppet 20 GPM, 750 PSI RV3-10-1-0-9/7.5 |
| | | P002568 | Kit - 565803 Replacement Seal |
| 7 | 1 | P002517 | Nut - Coil 7004400 |

Fan Motor



Auger Motor



P/N's followed by “_” are color coded parts.

Color codes: AA = Black Paint, ZZ = Gray, ZY = Yellow, ZX = White
See inside front cover for details.

12/05/2023 - REV. B

SN#: 8 & 12 Row - 21643 - 22088

SN# 16/18/24 Row - 21643 - 22149

Fan Motor

| Item No. | Qty | Part Number | Description |
|----------|-----|------------------|--|
| 1 | 1 | P000354 | Motor - Eaton 16 & 24 Row Fan (74118) |
| 2 | 2 | P000385 | Fitting - Hyd - #12 M JIC x #12 M O-Ring Elbow 90 (6801-12-12) * |
| | | P002585 | O-Ring - #12 Buna (4000-12) |
| 3 | 1 | P000784 | Key - .25"x.25"x1" |
| 4 | 1 | (N) P000928 | Fitting - Hyd - #6 M O-Ring x #6 M JIC Straight * |
| | | P002582 | O-Ring - #6 Buna (4000-06) |
| 5 | 1 | (N) P002605 (CD) | Hose - Hyd - 3/8" x 22" (#6 F JIC x #6 F JIC) |
| 6 | 1 | (N) P002646 (A) | Hose - Hyd - 3/4" x 24" (#12 F JIC x #12 F JIC) |
| 7 | 1 | (N) P002646 (B) | Hose - Hyd - 3/4" x 24" (#12 F JIC x #12 F JIC) |

(*) Included In K000031 - Kit - Hydraulic Fittings and Hoses for Manifold Units

(In 2021, hose kit was updated to hoses with all JIC ends, with additional fittings. If ordering the complete kit, changes will be fully retrofittable.)

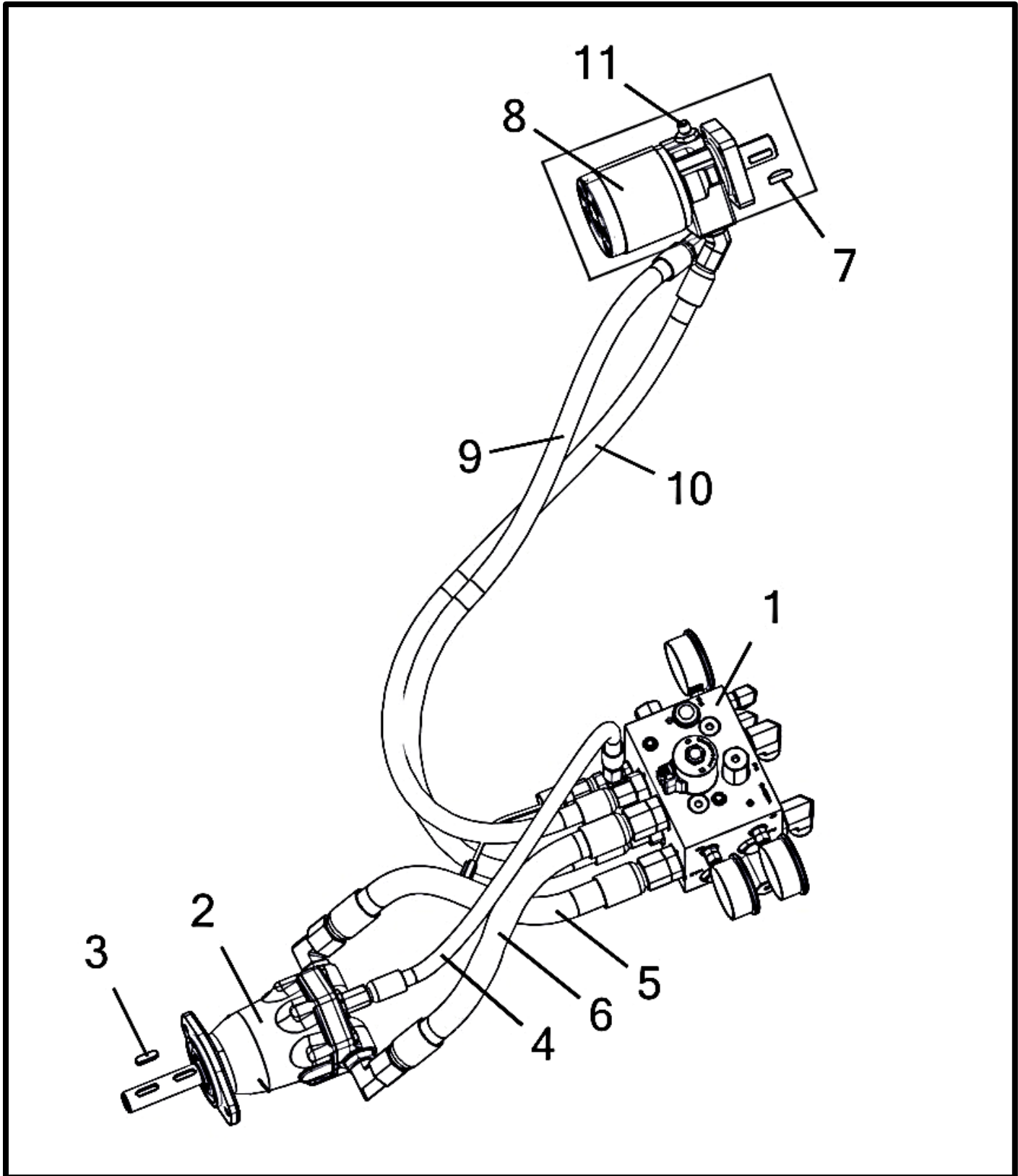
Auger Motor

| Item No. | Qty | Part Number | Description |
|----------|-----|-----------------|---|
| 1 | 1 | (N) P003142 (A) | Hose - Hydraulic 1/2" x 52" (#8 F JIC x #8 F JIC) * |
| 2 | 1 | (N) P003142 (B) | Hose - Hydraulic 1/2" x 52" (#8 F JIC x #8 F JIC) * |
| 3 | 1 | (N) P003143 | Fitting - Hyd - #10 M O-ring x #8 M JIC Elbow 45 |
| | | P002583 | O-Ring - #8 Buna (4000-08) |
| 4 | 1 | (N) P003144 | Fitting - Hyd - #10 M O-ring x #8 M JIC Elbow 90 (6801-08-10-NWO) |
| | | P002583 | O-Ring - #8 Buna (4000-08) |
| 5 | 1 | P002694 | Key - Woodruff .25" x 1" #15 |
| 6 | 1 | (R) P003128 | Motor - Hyd. 11.9 Culn Gerotor w/ Speed Sensor (TE0195FS100FSAA) |
| 7 | 1 | (N) P003165 | Sensor - Parker Motor Speed (30 Pulse) (455063) |

(*) Included In K000031 - Kit - Hydraulic Fittings and Hoses for Manifold Units

(In 2021, hose kit was updated to hoses with all JIC ends, with additional fittings. If ordering the complete kit, changes will be fully retrofittable.)

Hydraulic Hoses And Motors



P/N's followed by “_” are color coded parts.

Color codes: AA = Black Paint, ZZ = Gray, ZY = Yellow, ZX = White
See inside front cover for details.

12/05/2023 - REV. B

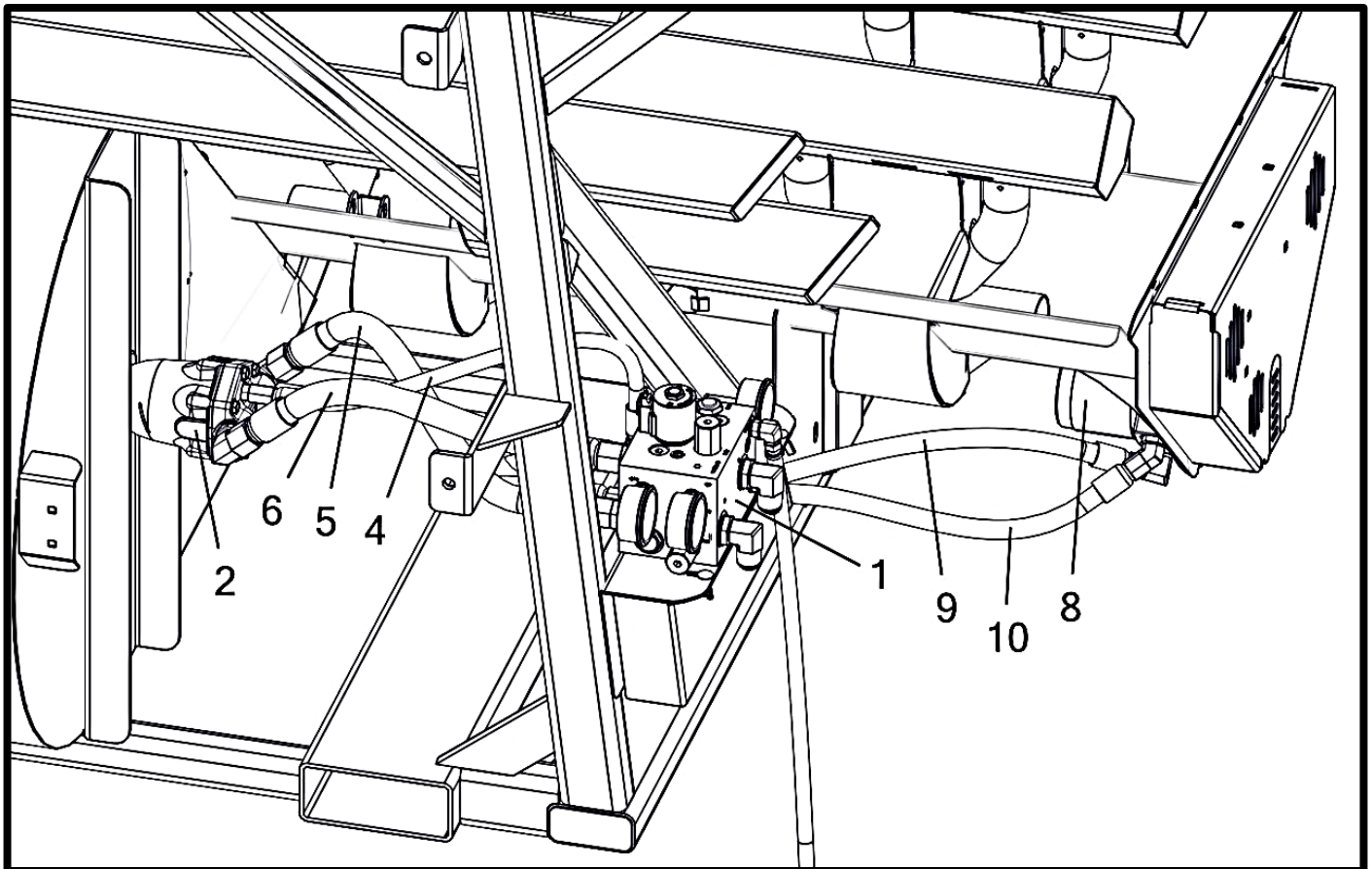
SN#: 8 & 12 Row - 21643 - 22088

SN# 16/18/24 Row - 21643 - 22149

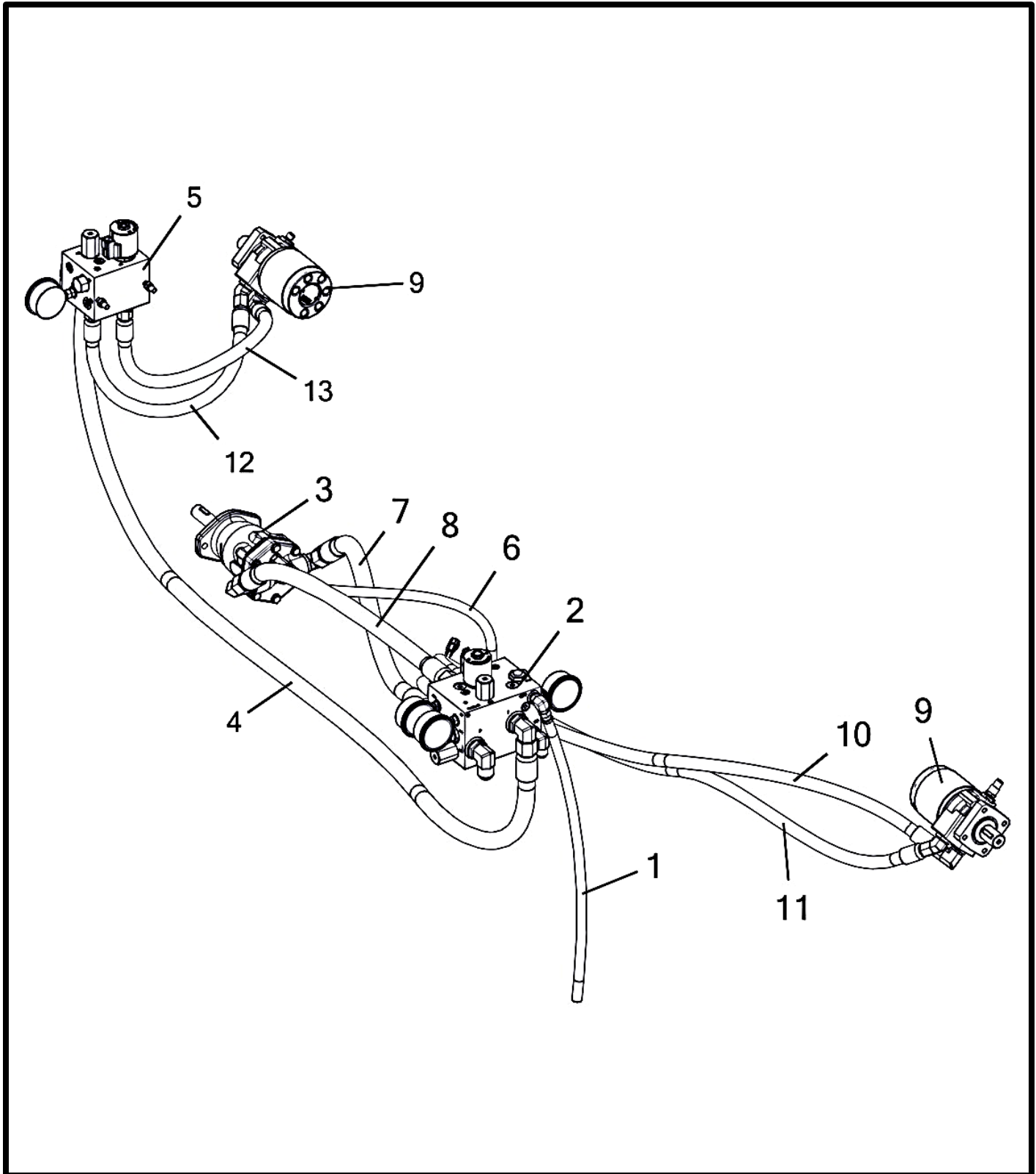
Hydraulic Hoses And Motors

| Item No. | Qty | Part Number | Description |
|----------|-----|-------------------------|---|
| 1 | 1 | P000352 | Manifold - Hydraulic Single Product Control (VA1836-10) |
| 2 | 1 | P000354 | Motor - Eaton 16 & 24 Row Fan (74118) |
| 3 | 1 | P000784 | Key - .25"x.25"x1" |
| 4 | 1 | (N) P002605 (CD) | Hose - Hyd - 3/8" x 22" (#6 F JIC x #6 F JIC) * |
| 5 | 1 | (N) P002646 (A) | Hose - Hyd - 3/4" x 24" (#12 F JIC x #12 F JIC) * |
| 6 | 1 | (N) P002646 (B) | Hose - Hyd - 3/4" x 24" (#12 F JIC x #12 F JIC) * |
| 7 | 1 | P002694 | Key - Woodruff .25" x 1" #15 |
| 8 | 1 | (R) P003128 | Motor - Hyd. 11.9 Culin Gerotor w/ Speed Sensor (TE0195FS100FSAA) |
| 9 | 1 | (N) P003142 (A) | Hose - Hydraulic 1/2" x 52" (#8 F JIC x #8 F JIC) * |
| 10 | 1 | (N) P003142 (B) | Hose - Hydraulic 1/2" x 52" (#8 F JIC x #8 F JIC) * |
| 11 | 1 | (N) P003165 | Sensor - Parker Motor Speed (30 Pulse) (455063) |

(*) Included In K000031 - Kit - Hydraulic Fittings and Hoses for Manifold Units



Two Section Hydraulic Hoses And Motors



P/N's followed by “_” are color coded parts.

Color codes: AA = Black Paint, ZZ = Gray, ZY = Yellow, ZX = White
See inside front cover for details.

12/05/2023 - REV. B

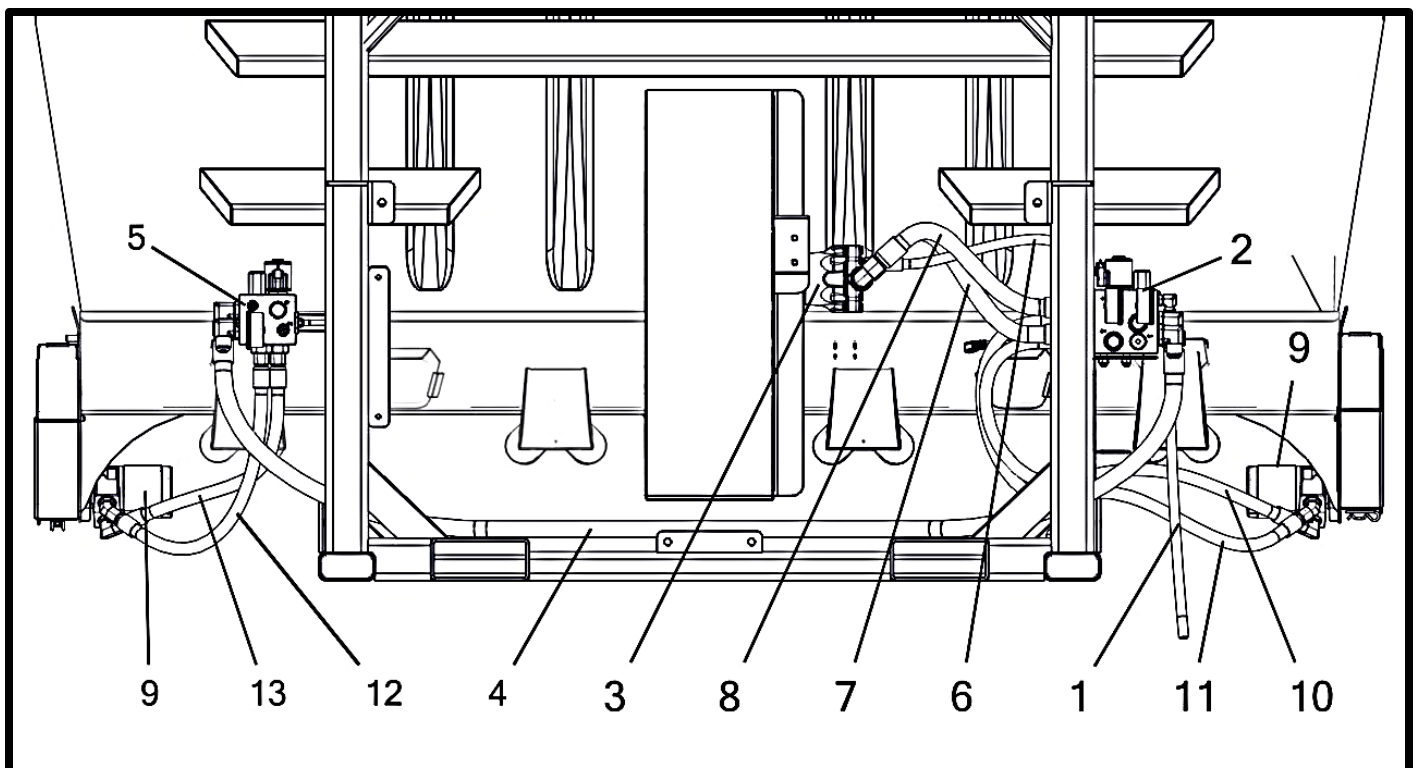
SN#: 8 & 12 Row - 21643 - 22088

SN# 16/18/24 Row - 21643 - 22149

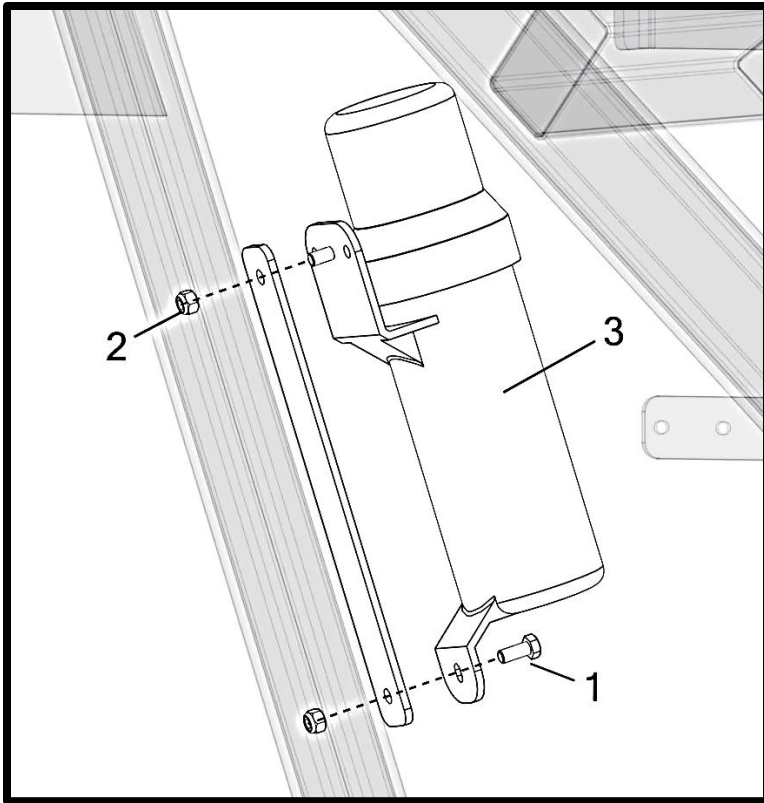
Two Section Hydraulic Hoses And Motors

| Item No. | Qty | Part Number | Description |
|----------|-----|------------------|---|
| 1 | 1 | M001042 | Hose - Manifold Case Drain Bypass |
| 2 | 1 | P000352 | Manifold - Hydraulic Single Product Control (VA1836-10) |
| 3 | 1 | P000354 | Motor - Eaton 16 & 24 Row Fan (74118) |
| 4 | 1 | P000715 | Hose - Hydraulic 3/4" x 92" (#12 Female JIC Swivel x #12 Female JIC Swivel) |
| 5 | 1 | P000718 | Valve - Electric Hydraulic Block Manifold (PWM Closed) |
| 6 | 1 | (N) P002605 (CD) | Hose - Hyd - 3/8" x 22" (#6 F JIC x #6 F JIC) * |
| 7 | 1 | (N) P002646 (A) | Hose - Hyd - 3/4" x 24" (#12 F JIC x #12 F JIC) * |
| 8 | 1 | (N) P002646 (B) | Hose - Hyd - 3/4" x 24" (#12 F JIC x #12 F JIC) * |
| 9 | 2 | (R) P003128 | Motor - Hyd. 11.9 Culin Gerotor w/ Speed Sensor (TE0195FS100FSAA) |
| 10 | 1 | (N) P003142 (A) | Hose - Hydraulic 1/2" x 52" (#8 F JIC x #8 F JIC) * |
| 11 | 1 | (N) P003142 (B) | Hose - Hydraulic 1/2" x 52" (#8 F JIC x #8 F JIC) * |
| 12 | 1 | (N) P003145 (A) | Hose - Hydraulic 1/2" x 36" (#8 F JIC x #8 F JIC) |
| 13 | 1 | (N) P003145 (B) | Hose - Hydraulic 1/2" x 36" (#8 F JIC x #8 F JIC) |

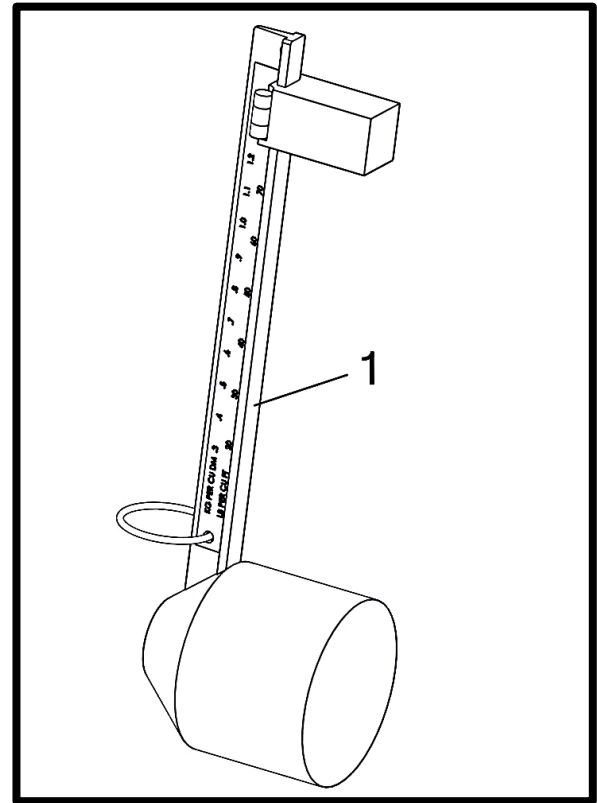
(*) Included In K000031 - Kit - Hydraulic Fittings and Hoses for Manifold Units



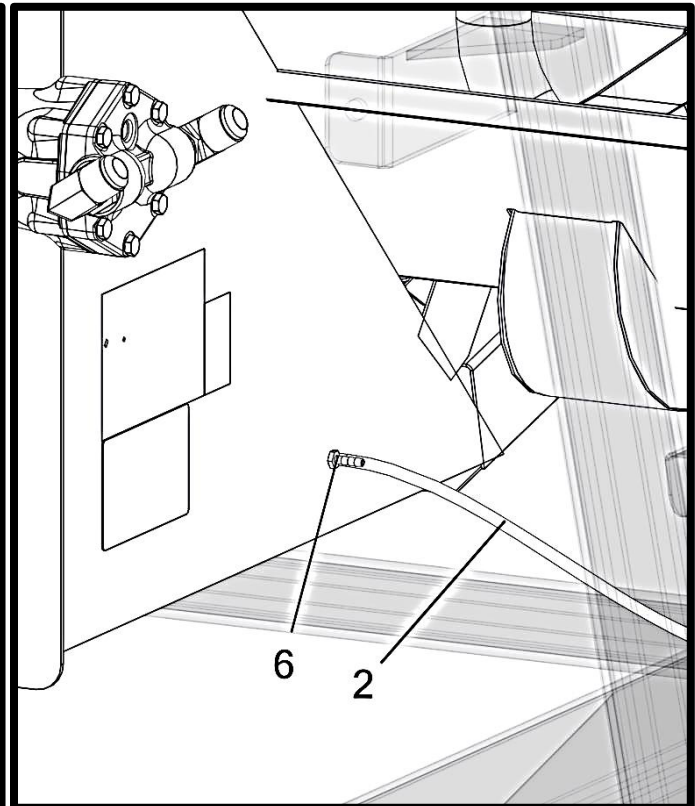
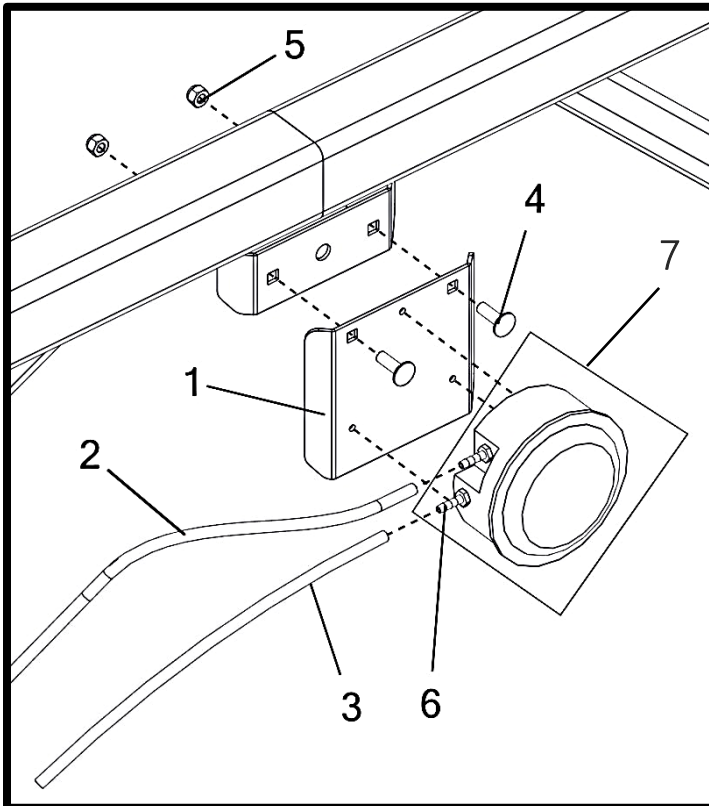
Manual Holder



Density Scale



Air Gauge



P/N's followed by “_” are color coded parts.

Color codes: AA = Black Paint, ZZ = Gray, ZY = Yellow, ZX = White
See inside front cover for details.

12/05/2023 - REV. B

SN#: 8 & 12 Row - 21643 - 22088
SN# 16/18/24 Row - 21643 - 22149

Manual Holder

| Item No. | Qty. | Part Number | Description |
|----------|------|-------------|--|
| 1 | 2 | P000093 | Bolt - 5/16-18 x 0.75 x 0.75 Hex (F593 304 S/S FB) * |
| 2 | 2 | P000104 | Nut - 5/16-18 Hex Nylon Lock (F594 316 S/S FB) * |
| 3 | 1 | P000317 | Holder - Instruction Manual |

(*) Included In K000027 - Kit - Misc. Skid Hardware

Density Scale

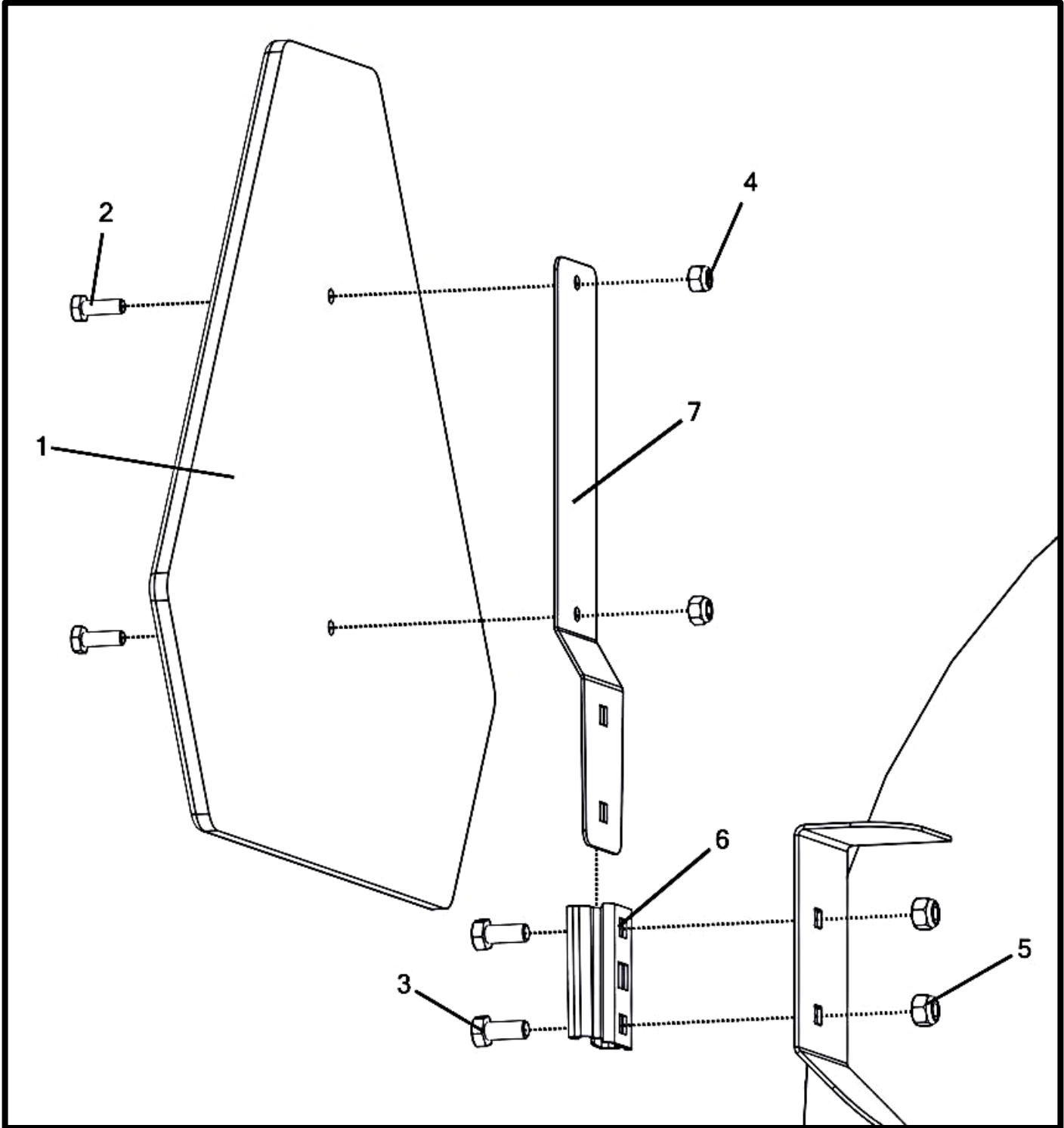
| Item No. | Qty. | Part Number | Description |
|----------|------|-------------|--|
| 1 | 1 | P000428 | Scale - Fertilizer Density (Montag Logo) |

Air Gauge

| Item No. | Qty | Part Number | Description |
|----------|-----|-------------|---|
| 1 | 1 | M000054__ | Mount - Pressure Gauge |
| 2 | 1 | M001043 | Hose - Air Gauge Fan Tube |
| 3 | 1 | M001044 | Hose - Air Gauge Breather Tube |
| 4 | 2 | P000094 | Bolt - 5/16-18 x 1 x 1 Carriage (F593 304 S/S FB) * |
| 5 | 2 | P000104 | Nut - 5/16-18 Hex Nylon Lock (F594 316 S/S FB) * |
| 6 | 3 | P000125 | Fitting - Air - 3/16" Hose Barb x 1/8 NPT |
| 7 | 1 | P000154 | Air Gauge - Dwyer 0-30" WC |

(*) Included In K000027 - Kit - Misc. Skid Hardware

Slow Moving Vehicle (SMV) Sign



P/N's followed by “_” are color coded parts.

Color codes: AA = Black Paint, ZZ = Gray, ZY = Yellow, ZX = White
See inside front cover for details.

12/05/2023 - REV. B

SN#: 8 & 12 Row - 21643 - 22088

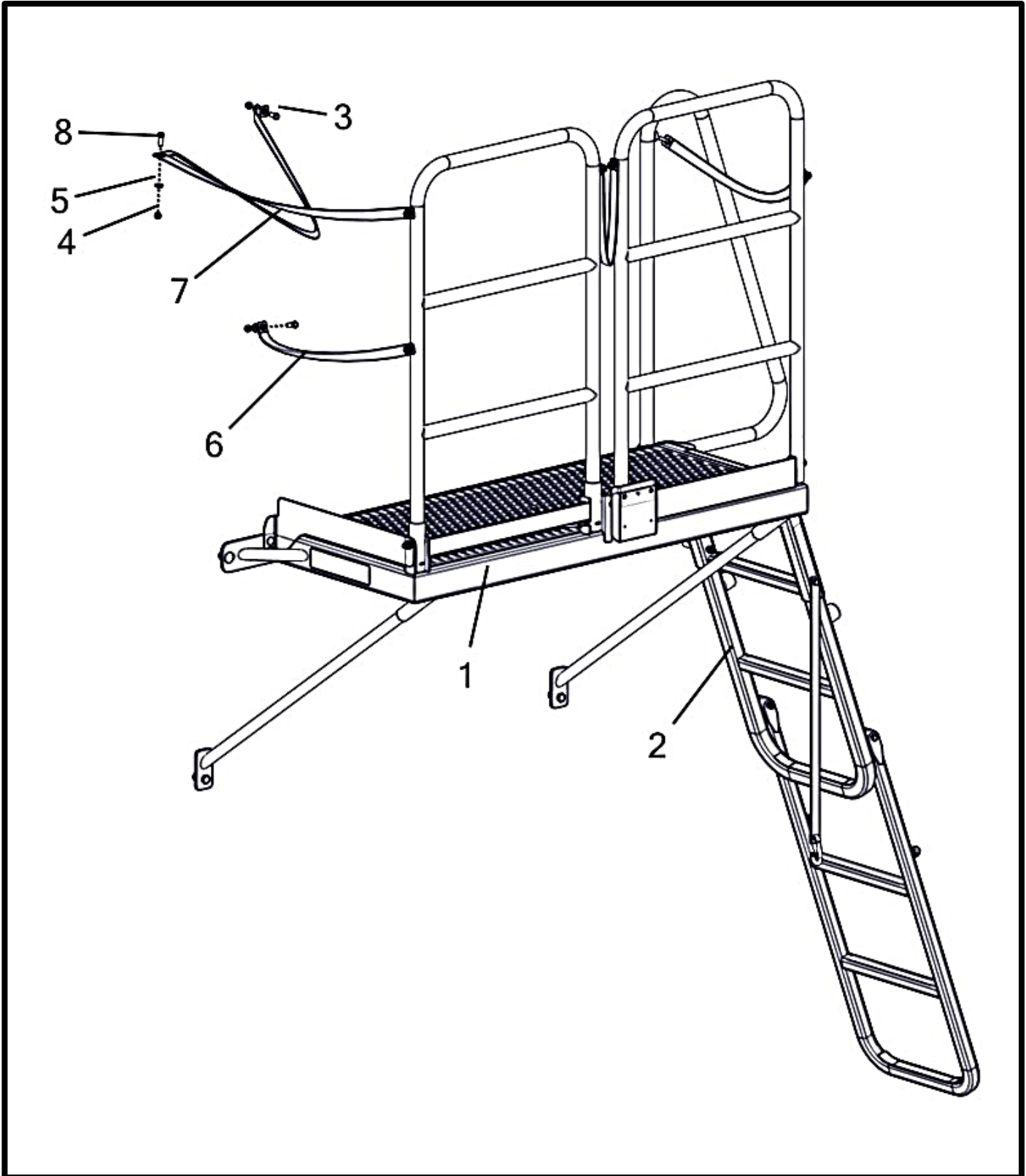
SN# 16/18/24 Row - 21643 - 22149

Slow Moving Vehicle (SMV) Sign

| Item No. | Qty | Part Number | Description |
|----------|-----|-------------|--|
| 1 | 1 | P000023 | Sign - SMV Plastic |
| 2 | 2 | P000090 | Bolt - 1/4-20 x 0.75 x 0.75 Hex (F593 304 S/S FB) * |
| 3 | 2 | P000093 | Bolt - 5/16-18 x 0.75 x 0.75 Hex (F593 304 S/S FB) * |
| 4 | 2 | P000103 | Nut - 1/4-20 Hex Nylon Lock (F594 316 S/S FB) * |
| 5 | 2 | P000104 | Nut - 5/16-18 Hex Nylon Lock (F594 316 S/S FB) * |
| 6 | 1 | P002480 | Bracket - SMV Socket |
| 7 | 1 | P002589 | Bracket - SMV Spade |

(*) Included In K002082 - Kit - SMV Hardware (S/S)

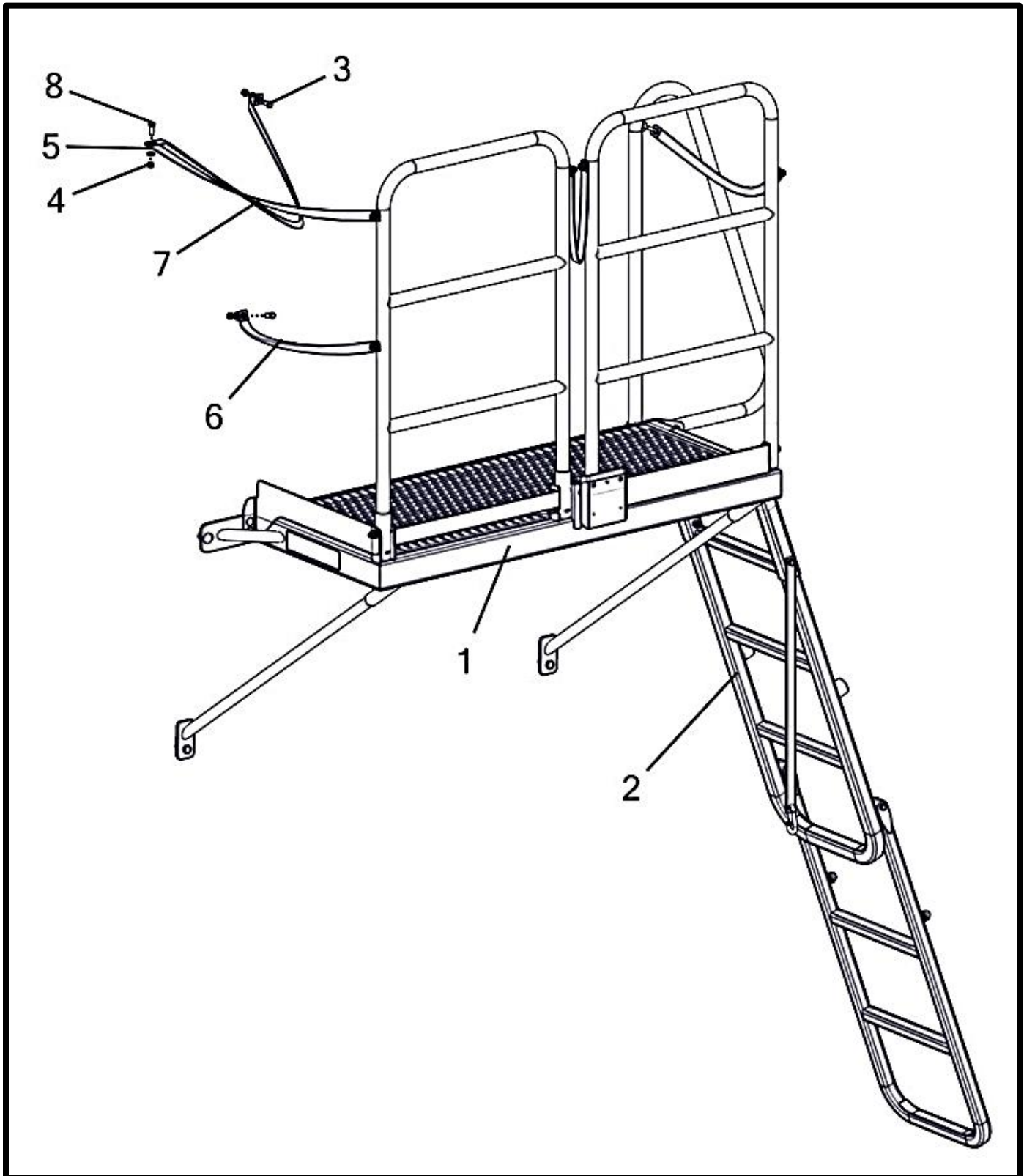
Deck - 6 Ton Folding Complete (S/S Hardware)



Deck - 6 Ton Folding Complete (S/S Hardware)

| Item No. | Qty | Part Number | Description |
|----------|-----|------------------|---|
| | | A002399__ | Deck - 6 Ton Folding Complete (S/S Hardware) |
| 1 | 1 | A002458__ | Deck - Universal Assembled (S/S Hardware) |
| 2 | 1 | A002444__ | Ladder - 6 Ton Folding (S/S Hardware) |
| 3 | 1 | P000093 | Bolt - 5/16-18 x 0.75 x 0.75 Hex (F593 304 S/S FB) |
| 4 | 3 | P000104 | Nut - 5/16-18 Hex Nylon Lock (F594 316 S/S FB) |
| 5 | 3 | P000109 | Washer - 5/16" Flat (0.75" OD) (18-8 S/S FB) |
| 6 | 1 | P000444 | Strap - 1" X 23" Safety |
| 7 | 1 | P000447 | Strap - Lid/Deck Folding Top (60") |
| 8 | 2 | P000711 | Bolt - 5/16-18 x 1 x 0.875 Hex (F593 304 S/S FB) |

Deck - 9 Ton Folding Complete (S/S Hardware)



P/N's followed by “_” are color coded parts.

Color codes: AA = Black Paint, ZZ = Gray, ZY = Yellow, ZX = White
See inside front cover for details.

12/05/2023 - REV. B

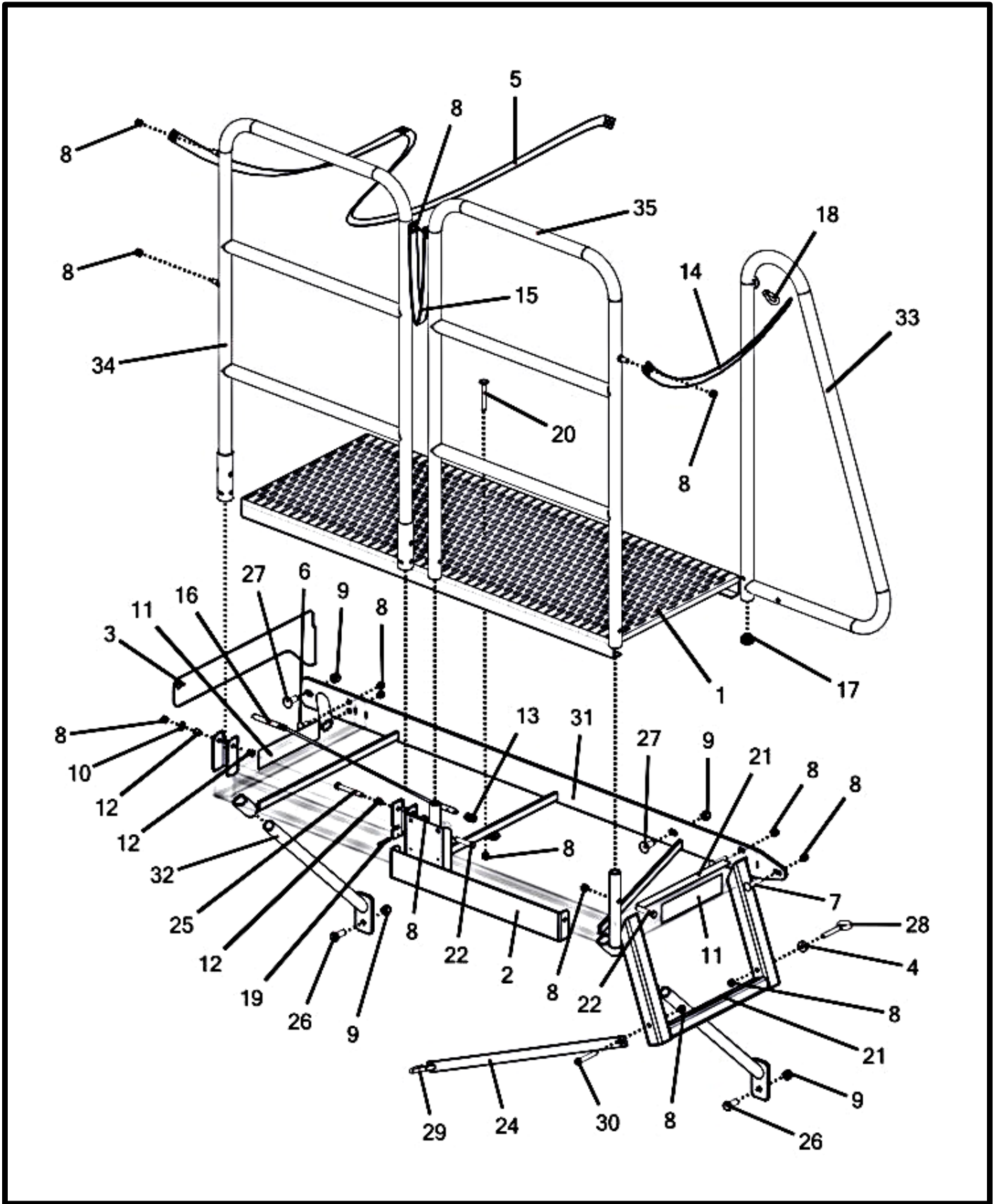
SN#: 8 & 12 Row - 21643 - 22088

SN# 16/18/24 Row - 21643 - 22149

Deck - 9 Ton Folding Complete (S/S Hardware)

| Item No. | Qty | Part Number | Description |
|----------|-----|------------------|---|
| | | A002400__ | Deck - 9 Ton Folding Complete (S/S Hardware) |
| 1 | 1 | A002458__ | Deck - Universal Assembled (S/S Hardware) |
| 2 | 1 | A002448__ | Ladder - 9 Ton Folding (S/S Hardware) |
| 3 | 1 | P000093 | Bolt - 5/16-18 x 0.75 x 0.75 Hex (F593 304 S/S FB) |
| 4 | 3 | P000104 | Nut - 5/16-18 Hex Nylon Lock (F594 316 S/S FB) |
| 5 | 3 | P000109 | Washer - 5/16" Flat (0.75" OD) (18-8 S/S FB) |
| 6 | 1 | P000444 | Strap - 1" X 23" Safety |
| 7 | 1 | P000447 | Strap - Lid/Deck Folding Top (60") |
| 8 | 2 | P000711 | Bolt - 5/16-18 x 1 x 0.875 Hex (F593 304 S/S FB) |

Deck - Universal



P/N's followed by “_” are color coded parts.

Color codes: AA = Black Paint, ZZ = Gray, ZY = Yellow, ZX = White
See inside front cover for details.

12/05/2023 - REV. B

SN#: 8 & 12 Row - 21643 - 22088

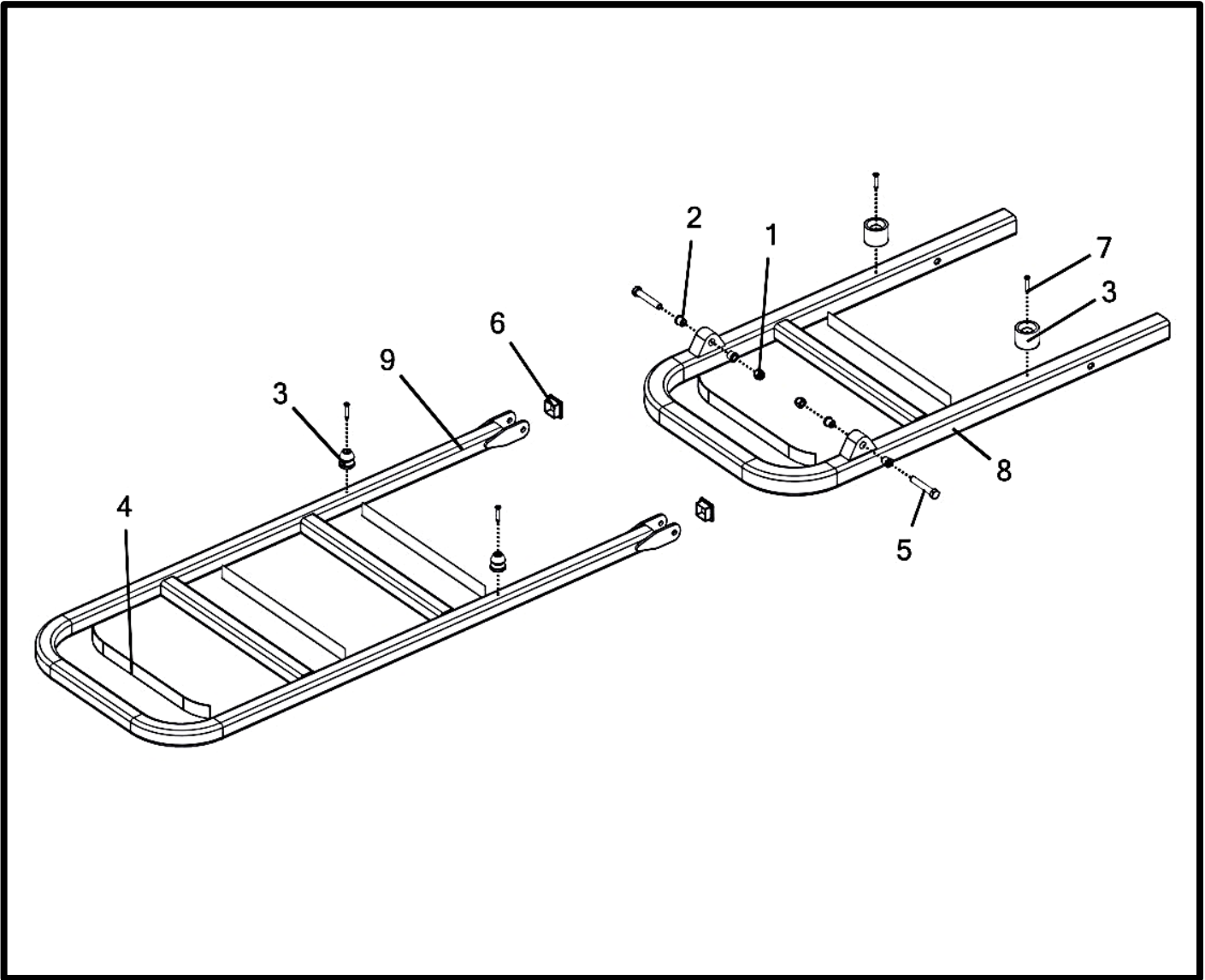
SN# 16/18/24 Row - 21643 - 22149

Deck - Universal

| Item No. | Qty | Part Number | Description |
|----------|-----|------------------|--|
| | | A002458__ | Deck - Universal Assembled (S/S Hardware) |
| 1 | 1 | M000922 | Grate - Deck Platform |
| 2 | 1 | M001017__ | Bracket - Deck Bolt-On Toe-Kick |
| 3 | 1 | M001018__ | Bracket - Deck Bolt-On Toe-Kick |
| 4 | 1 | M002650 | Washer - 3/8" Flat Spacer (1" OD) (304 S/S FB) |
| 5 | 1 | P000447 | Strap - Lid/Deck Folding Top (60") |
| 6 | 2 | P000098 | Bolt - 3/8-16 x 1 x 1 Carriage (F593 304 S/S FB) * |
| 7 | 2 | P000099 | Bolt - 3/8-16 x 2 x 1 Carriage (F593 304 S/S FB) * |
| 8 | 16 | P000105 | Nut - 3/8-16 Hex Nylon Lock (F594 316 S/S FB) * |
| 9 | 4 | P000106 | Nut - 1/2-13 Hex Nylon Lock (F594 316 S/S FB) * |
| 10 | 1 | P000111 | Washer - 3/8" Flat (0.875" OD) (18-8 S/S FB) * |
| 11 | 2 | P000199 | Tape - Reflective Yellow |
| 12 | 4 | P000393 | Bushing - 3/8" x 1/2" x 1/2 Plastic Flange |
| 13 | 1 | P000394 | Spring - 1/2 ID x 1" S/S x 10 LBS |
| 14 | 1 | P000444 | Strap - 1" X 23" Safety |
| 15 | 1 | P000445 | Strap - 1" X 16" Safety |
| 16 | 1 | P000457 | Cable Assembly - Deck Rail Tilt |
| 17 | 1 | P000458 | Cap - 1-1/4" x 10-14 GA Round Plastic Tube |
| 18 | 1 | P000464 | Carabiner - 3/16" x 1-13/16 S/S |
| 19 | 1 | P000465 | Pin - .1875 x 1.5 Roll (18-8 S/S) |
| 20 | 1 | P000467 | Bolt - 3/8-16 x 3 x 1 Carriage (F593 304 S/S FB) * |
| 21 | 2 | P000473 | Decal - Anti-Slip Safety Tape (1" x 13") Black 36g |
| 22 | 2 | P000880 | Bolt - 3/8-16 x 2 x 1 Hex (F593 304 S/S FB) * |
| 23 | 4 | P002249 | Rivet - 3/16" Large Flange 5/8"-3/4" Grip (18-8 S/S FB) |
| 24 | 1 | P002408 | Strap - 1" X 26.5" Safety |
| 25 | 1 | P002476 | Bolt - 3/8-16 x 3 x 1 Hex (F593 304 S/S FB) * |
| 26 | 2 | P002477 | Bolt - 1/2-13 x 1.25 x 1.25 Hex (F593 304 S/S FB) * |
| 27 | 2 | P002478 | Bolt - 1/2-13 x 1.25 x 1.25 Carriage (F593 304 S/S FB) * |
| 28 | 1 | P002883 | Bolt - 3/8-16 x 4 x 1.5 Eye (18-8 S/S FB) * |
| 29 | 1 | P002884 | Carabiner - 5/16" x 2-1/2 S/S |
| 30 | 1 | P002913 | Bolt - 3/8-16 x 2.5 x 1 Hex (F593 304 S/S FB) * |
| 31 | 1 | W000260__ | Platform - Universal Deck Weldment |
| 32 | 2 | W000261__ | Support - Removable Deck Undermount |
| 33 | 1 | W000262__ | Rail - Deck/Ladder Grab |
| 34 | 1 | W002490__ | Rail - Folding Deck |
| 35 | 1 | W002491__ | Rail - Rigid Deck |

(*) Included In K002215 - Kit - Platform Hardware w/Eyebolt (S/S)
(For Models Prior To 2019, (1) M002650 Is Required.)

6 Ton Deck Ladder

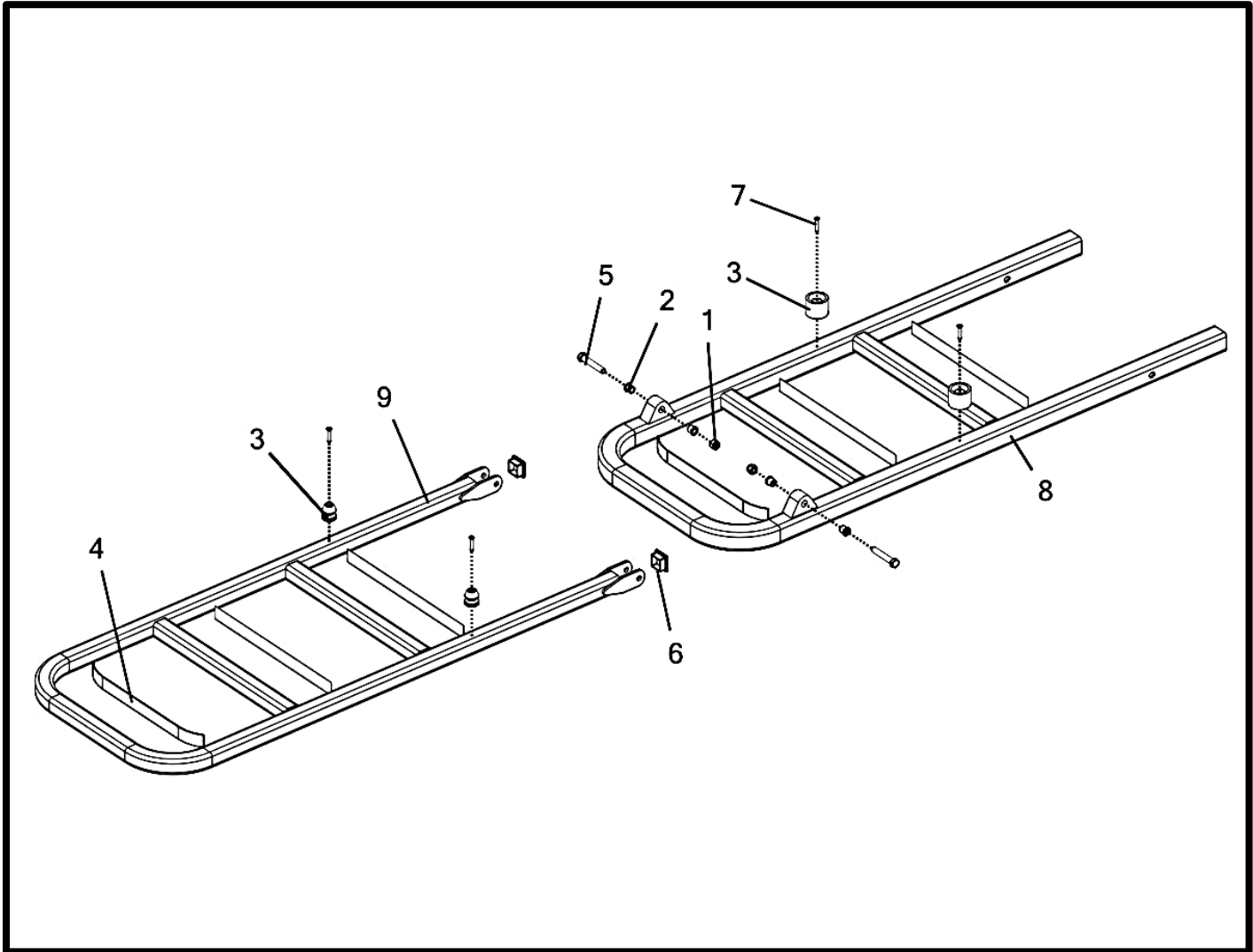


6 Ton Deck Ladder

| Item No. | Qty | Part Number | Description |
|----------|-----|-------------------|---|
| | | A002444_ _ | 6 Ton Deck Ladder |
| 1 | 2 | P000105 | Nut - 3/8-16 Hex Nylon Lock (F594 316 S/S FB) * |
| 2 | 4 | P000393 | Bushing - 3/8" x 1/2" x 1/2 Plastic Flange |
| 3 | 2 | P000472 | Catch - Rubber Deck Bumper Latch (Part # Is A Male/Female Set) |
| 4 | 5 | P000473 | Decal - Anti-Slip Safety Tape (1" x 13") Black 36g |
| 5 | 2 | P000930 | Bolt - 3/8-16 x 2.25 x 1 Hex (F593 304 S/S FB) * |
| 6 | 2 | P002078 | Cap - 1-1/4" Square Plastic |
| 7 | 4 | P002708 | Screw - #10-16 x 1.25 Self-Drilling Pan Head Square (18-8 S/S FB) * |
| 8 | 1 | W002579_ _ | Ladder - 6 Ton Deck |
| 9 | 1 | W002580_ _ | Ladder - Deck Swing |

(*) Included In K002079 - Kit - Platform Swing Ladder Hardware (S/S)

9 Ton Deck Ladder

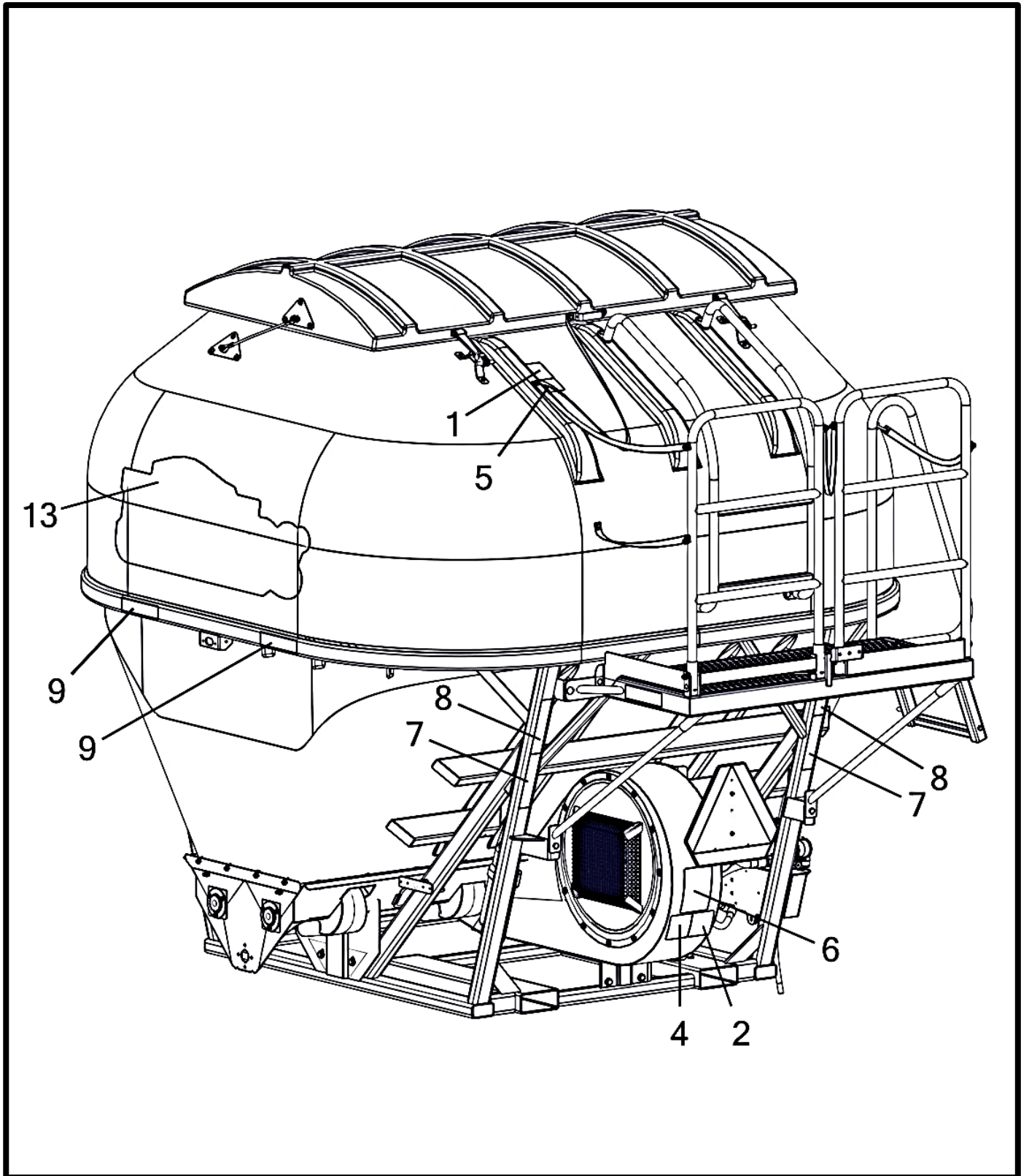


9 Ton Deck Ladder

| Item No. | Qty | Part Number | Description |
|----------|-----|------------------|---|
| | | A002448__ | 9 Ton Deck Ladder |
| 1 | 2 | P000105 | Nut - 3/8-16 Hex Nylon Lock (F594 316 S/S FB) * |
| 2 | 4 | P000393 | Bushing - 3/8" x 1/2" x 1/2 Plastic Flange |
| 3 | 2 | P000472 | Catch - Rubber Deck Bumper Latch (Part # Is A Male/Female Set) |
| 4 | 6 | P000473 | Decal - Anti-Slip Safety Tape (1" x 13") Black 36g |
| 5 | 2 | P000930 | Bolt - 3/8-16 x 2.25 x 1 Hex (F593 304 S/S FB) * |
| 6 | 2 | P002078 | Cap - 1-1/4" Square Plastic |
| 7 | 4 | P002708 | Screw - #10-16 x 1.25 Self-Drilling Pan Head Square (18-8 S/S FB) * |
| 8 | 1 | W002581__ | Ladder - 9 Ton Deck |
| 9 | 1 | W002580__ | Ladder - Deck Swing |

(*) Included In K002079 - Kit - Platform Swing Ladder Hardware (S/S)

Decals - Left Side



P/N's followed by “_” are color coded parts.

Color codes: AA = Black Paint, ZZ = Gray, ZY = Yellow, ZX = White
See inside front cover for details.

12/05/2023 - REV. B

SN#: 8 & 12 Row - 21643 - 22088

SN# 16/18/24 Row - 21643 - 22149

Decals - Left Side

| Item No. | Qty | Part Number | Description |
|----------|-----|-------------|--|
| 1 | 1 | P000188 | Decal - Auger Danger * |
| 2 | 1 | P000190 | Decal - Read the Manual * |
| 3 | 1 | P000191 | Decal - Moving Parts Danger * |
| 4 | 1 | P000192 | Decal - High Pressure Danger * |
| 5 | 1 | P000193 | Decal - Ag Chemical Danger * |
| 6 | 1 | P000195 | Decal - Chemical Hazard * |
| 7 | 2 | P000197 | Tape - Reflective Orange |
| 8 | 2 | P000198 | Tape - Reflective Red |
| 9 | 4 | P000199 | Tape - Reflective Yellow |
| 10 | 1 | P000201 | Decal - USA Flag * |
| 11 | 1 | P000202 | Serial Tag |
| 12 | 1 | P000273 | Decal - Fema |
| 13 | 2 | P002428 | Decal - 2010 Logo (48" Long) (9 Ton) (Shown) |
| | | P002470 | Decal - 2010 Logo (36" Long) (6 Ton) |

(*) Included In K000034 - Kit - Dry Unit Decal



P000188



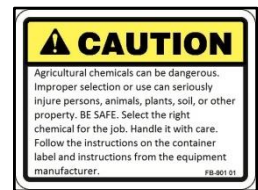
P000190



P000191



P000192

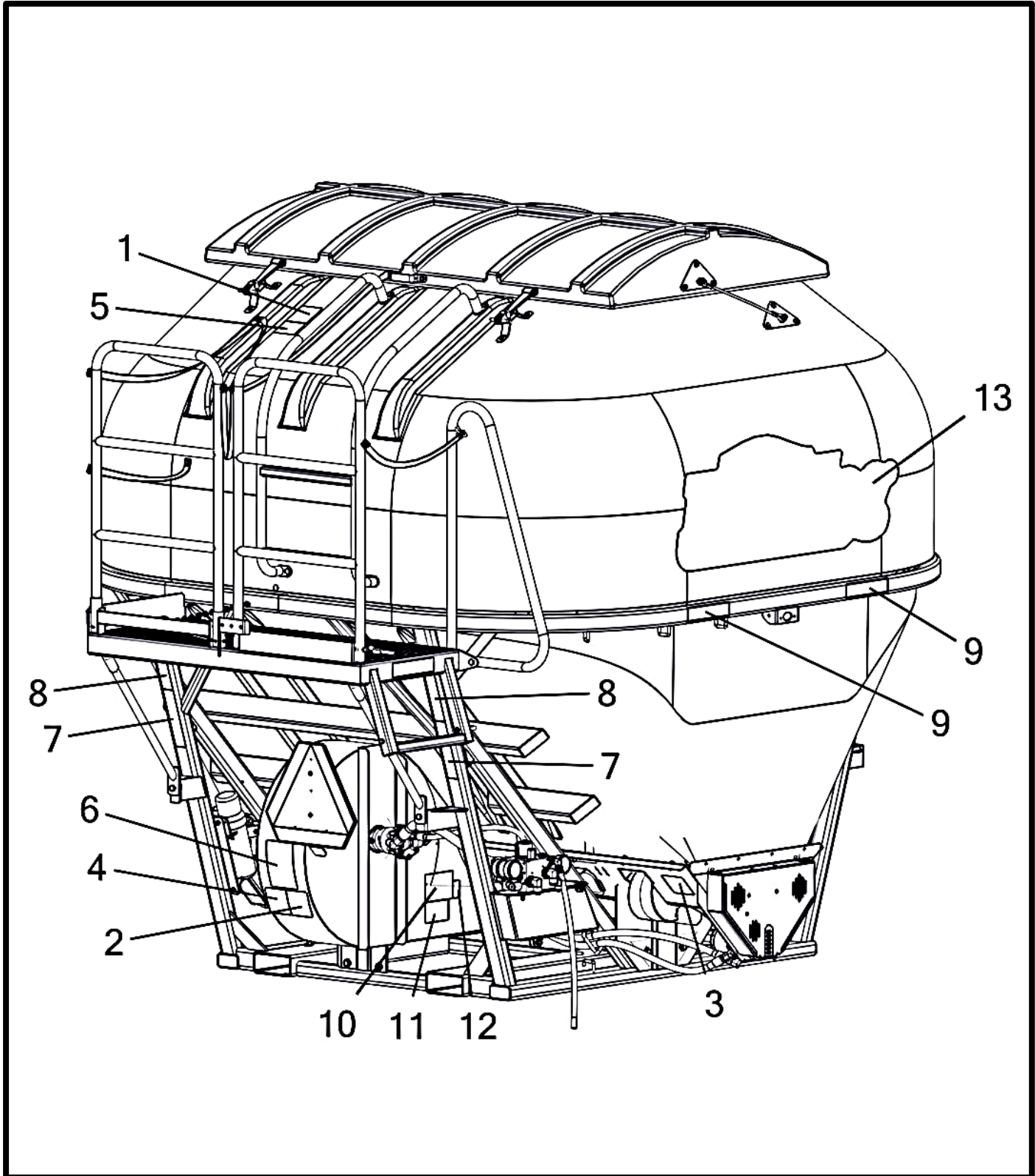


P000193



P000195

Decals - Right Side



P/N's followed by “_” are color coded parts.

Color codes: AA = Black Paint, ZZ = Gray, ZY = Yellow, ZX = White
See inside front cover for details.

12/05/2023 - REV. B

SN#: 8 & 12 Row - 21643 - 22088

SN# 16/18/24 Row - 21643 - 22149

Decals - Right Side

| Item No. | Qty | Part Number | Description |
|----------|-----|-------------|--|
| 1 | 1 | P000188 | Decal - Auger Danger * |
| 2 | 1 | P000190 | Decal - Read the Manual * |
| 3 | 1 | P000191 | Decal - Moving Parts Danger * |
| 4 | 1 | P000192 | Decal - High Pressure Danger * |
| 5 | 1 | P000193 | Decal - Ag Chemical Danger * |
| 6 | 1 | P000195 | Decal - Chemical Hazard * |
| 7 | 2 | P000197 | Tape - Reflective Orange |
| 8 | 2 | P000198 | Tape - Reflective Red |
| 9 | 4 | P000199 | Tape - Reflective Yellow |
| 10 | 1 | P000201 | Decal - USA Flag * |
| 11 | 1 | P000202 | Serial Tag |
| 12 | 1 | P000273 | Decal - Fema |
| 13 | 2 | P002428 | Decal - 2010 Logo (48" Long) (9 Ton) (Shown) |
| | | P002470 | Decal - 2010 Logo (36" Long) (6 Ton) |

(*) Included In K000034 - Kit - Dry Unit Decal



P000197



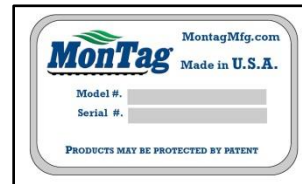
P000198



P000199



P000201



P000202

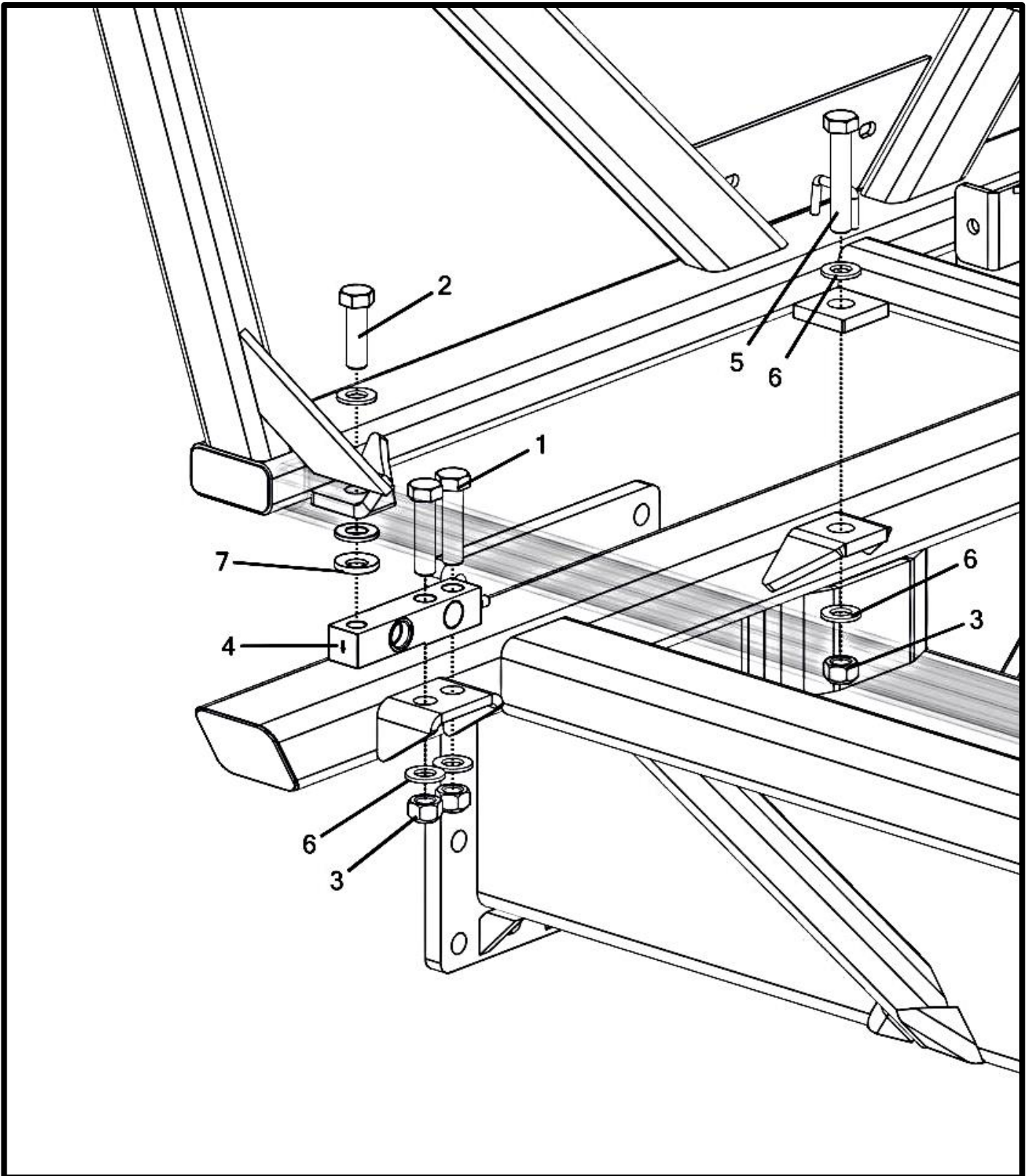


P000273



P002428 / P002470

Scale Kit And Safety Bolt Mounting



P/N's followed by “_” are color coded parts.

Color codes: AA = Black Paint, ZZ = Gray, ZY = Yellow, ZX = White
See inside front cover for details.

12/05/2023 - REV. B

SN#: 8 & 12 Row - 21643 - 22088

SN# 16/18/24 Row - 21643 - 22149

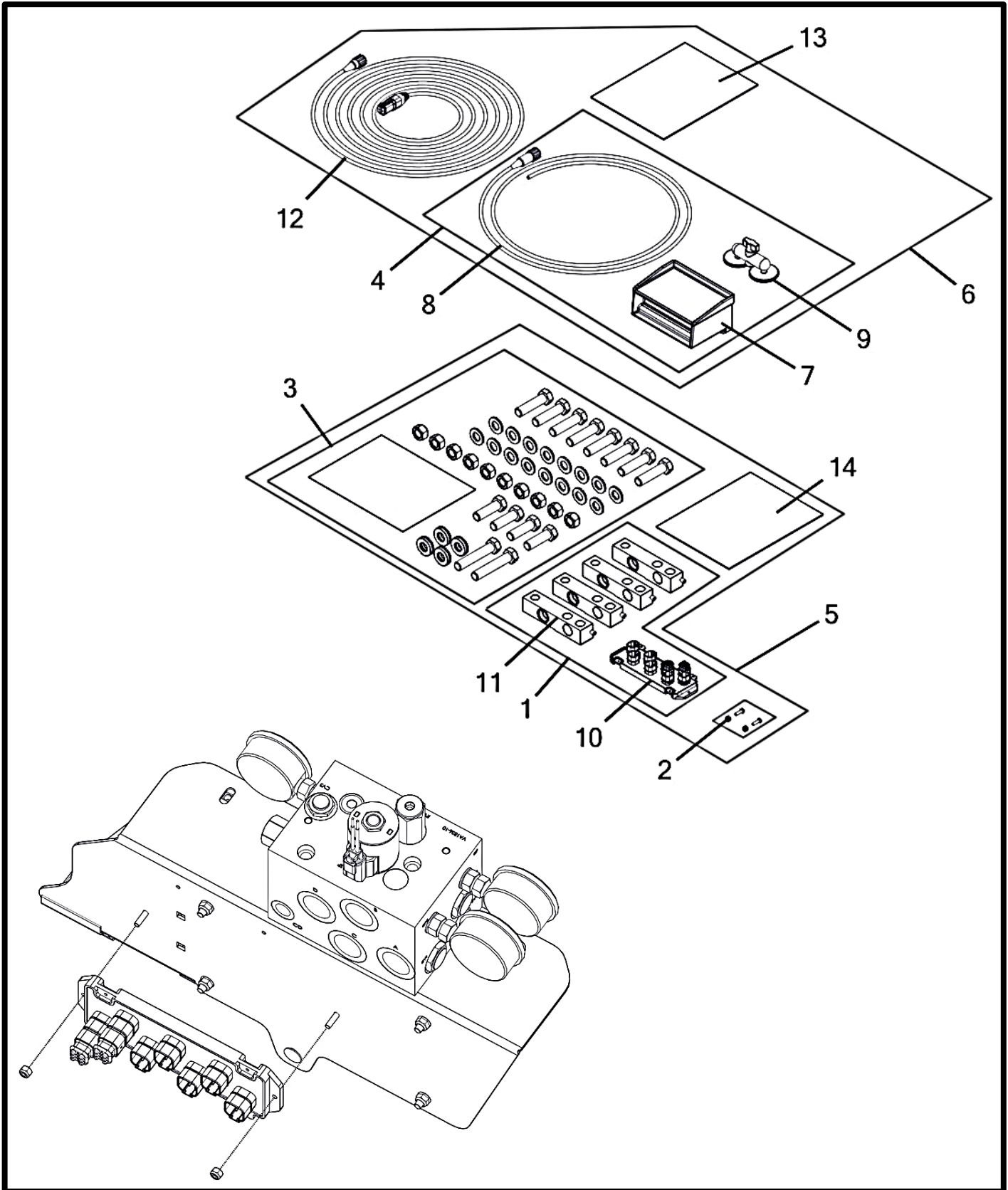
Scale Kit And Safety Bolt Mounting

| Item No. | Qty | Part Number | Description |
|----------|-----|-------------|--|
| 1 | 8 | P000047 | Bolt - 3/4-10 x 3 x 1.75 Hex (GR 5 M/S FA) * † |
| 2 | 4 | P000055 | Bolt - 3/4-16 x 2.5 x 1.75 Hex (GR 5 M/S FA) * † |
| 3 | 10 | P000061 | Nut - 3/4-10 Hex Metal Lock (GR 5 M/S FA) * † |
| 4 | 4 | P000248 | Scale - Load Cell (10K) |
| 5 | 2 | P000481 | Bolt - 3/4-10 x 4 x 1.75 Hex (GR 5 M/S FA) * † |
| 6 | 14 | P000766 | Washer - 3/4" SAE Flat (1.469" OD) (GR 5 M/S FA) * † |
| 7 | 4 | P002146 | Washer - 3/4" Self Aligning * † |

(*) Included In K002159 - Kit - Scale Hardware (4 Load Cell)(Yellow Zinc)

(†) Included In K002061 - Kit - Scale Hardware (1 Bin ISO) (ISO)

Scale Kit - GT 400 DT 6 Pin Complete



P/N's followed by “_” are color coded parts.

Color codes: AA = Black Paint, ZZ = Gray, ZY = Yellow, ZX = White
See inside front cover for details.

12/05/2023 - REV. B

SN#: 8 & 12 Row - 21643 - 22088

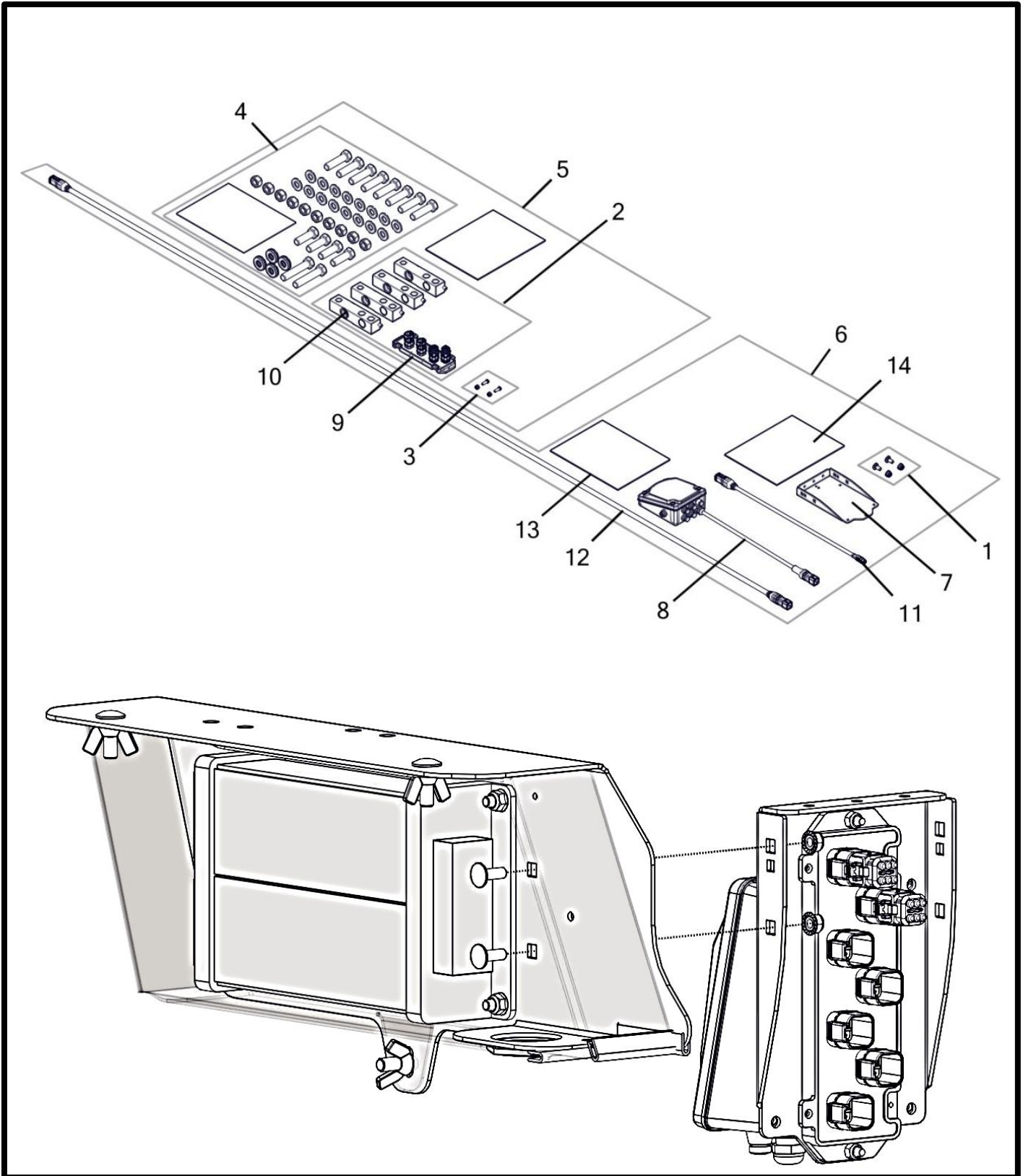
SN# 16/18/24 Row - 21643 - 22149

Scale Kit - GT 400 DT 6 Pin Complete

| Item No. | Qty | Part Number | Description |
|----------|-----|----------------|--|
| | | K002158 | Scale Kit - GT 400 DT 6 Pin Complete |
| 1 | 1 | K002153 | Kit - Base DT 6 Pin Load Cell |
| 2 | 1 | K002155 | Kit - J-Block (DT 6 Pin) Mount Hardware |
| 3 | 1 | K002159 | Kit - Scale Hardware (4 Load Cell)(Yellow Zinc) |
| 4 | 1 | K002161 | Kit - GT 400 Display Components |
| 5 | 1 | K002163 | Scale Kit - Gen 1 Base DT 6 Pin |
| 6 | 1 | K002164 | Scale Kit - GT 400 DT 6 Pin Add-On |
| 7 | 1 | P000448 | Indicator - Digi-Star Scale Serial (Display) |
| 8 | 1 | P000451 | Cable - 10' Scale Power (Digi-Star) |
| 9 | 1 | P000452 | Mount - Scale Indicator Ram (Digi-Star) |
| 10 | 1 | P002732 | Block - DT 6 Pin, 7 Port Junction |
| 11 | 4 | P002739 | Scale - Load Cell (10K) w/DT 6 Pin (14') |
| 12 | 1 | P002745 | Harness - DT 6 Pin To GT 400 4 Pin Molex (45') |
| 13 | 1 | P002894 | Document - GT 400 Installation Instructions |
| 14 | 1 | P003150 | Document - J-Block Mounting Instructions (2021+) |

| Extension Harnesses | | |
|----------------------|---------|---|
| GT400 Extensions: | P000440 | Cable - 10' Scale Extension Cable (Digi-Star) |
| | P000441 | Cable - 30' Scale Extension Cable (Digi-Star) |
| | P000442 | Cable - 55' Scale Extension Cable (Digi-Star) |
| DT06 Extensions: | P002744 | Harness - DT 6 Pin Extension (10') |
| | P002487 | Harness - DT 6 Pin Extension (15') |
| | P002747 | Harness - DT 6 Pin Extension (30') |
| | P002748 | Harness - DT 6 Pin Extension (55') |

Scale Kit - ISO DT 6 Pin Complete (4 Load Cell)



P/N's followed by “_” are color coded parts.

Color codes: AA = Black Paint, ZZ = Gray, ZY = Yellow, ZX = White
See inside front cover for details.

12/05/2023 - REV. B

SN#: 8 & 12 Row - 21643 - 22088

SN# 16/18/24 Row - 21643 - 22149

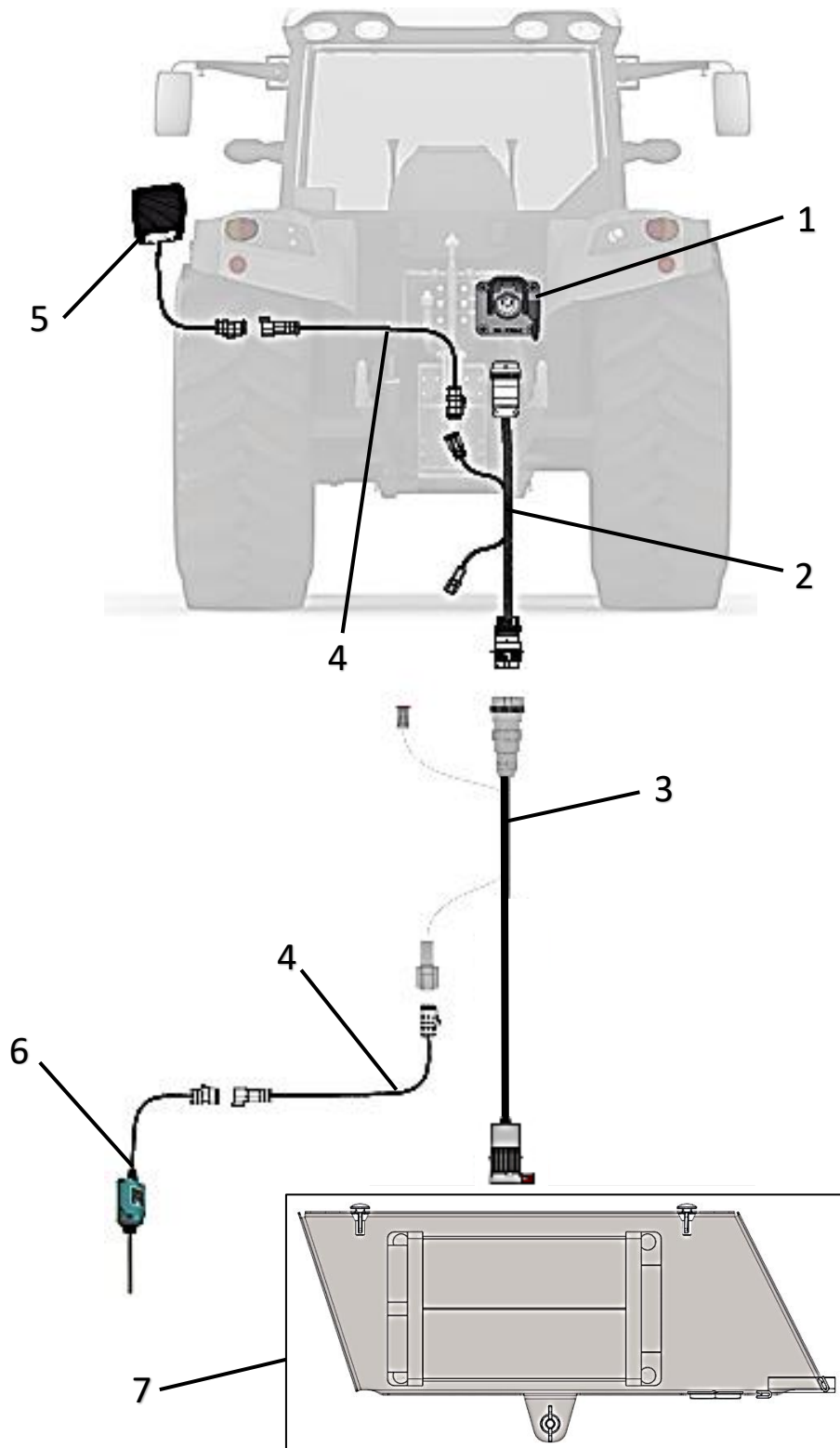
Scale Kit - ISO DT 6 Pin Complete (4 Load Cell)

| Item No. | Qty | Part Number | Description |
|----------|-----|----------------|--|
| | | K002156 | Scale Kit - ISO DT 6 Pin Complete (4 Load Cell) |
| 1 | 1 | K002041 | Kit - J-Box Mount Hardware Gen 1I |
| 2 | 1 | K002153 | Kit - Base DT 6 Pin Load Cell |
| 3 | 1 | K002155 | Kit - J-Block (DT 6 Pin) Mount Hardware |
| 4 | 1 | K002159 | Kit - Scale Hardware (4 Load Cell)(Yellow Zinc) |
| 5 | 1 | K002163 | Scale Kit - Gen 1 Base DT 6 Pin |
| 6 | 1 | K002165 | Scale Kit - ISO DT 6 Pin Add-On |
| 7 | 1 | M003359 | Mount - J-Box / ISO Scale ECU Mag. |
| 8 | 1 | P002279 | Node - Scale Link 2 140 Digi-Star ISO |
| 9 | 1 | P002732 | Block - DT 6 Pin, 7 Port Junction |
| 10 | 4 | P002739 | Scale - Load Cell (10K) w/DT 6 Pin (14') |
| 11 | 1 | P002743 | Harness - DT06 to M12 ISO Scale (2') |
| 12 | 1 | P002744 | Harness - DT 6 Pin Extension (10') |
| 13 | 1 | P002846 | Document - Gen 1 Scale Set-up Guide |
| 14 | 1 | P003151 | Document - Digi-Star ISO Node Mounting Instructions |

| Extension Harnesses | | |
|---------------------|-----------|------------------------------------|
| DT06 Extensions: | P002744 * | Harness - DT 6 Pin Extension (10') |
| | P002487 * | Harness - DT 6 Pin Extension (15') |
| | P002747 * | Harness - DT 6 Pin Extension (30') |
| | P002748 * | Harness - DT 6 Pin Extension (55') |

(*) Only to be used between J-Block (P002732) and Scale Link (P002279). Using these harnesses to extend the link on the ISOBUS breaks ISO standards and may cause instability.

Montag Dry Rate Controller Harness



P/N's followed by “_” are color coded parts.

Color codes: AA = Black Paint, ZZ = Gray, ZY = Yellow, ZX = White
See inside front cover for details.

12/05/2023 - REV. B

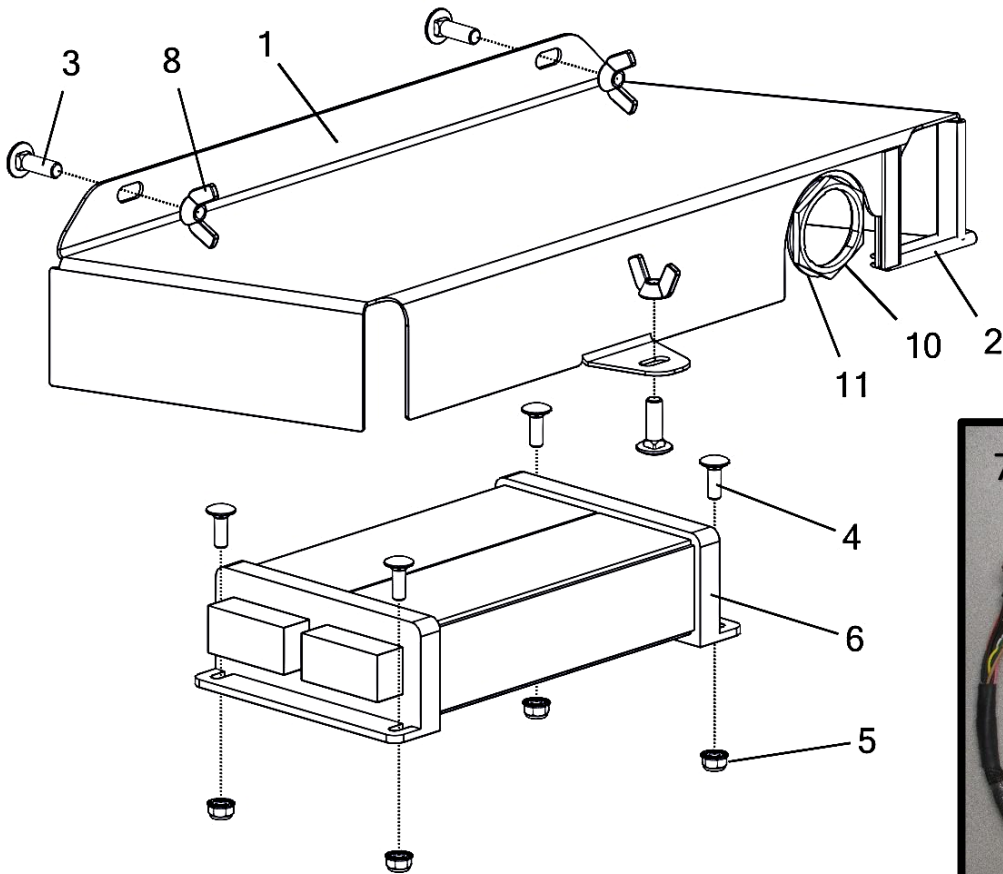
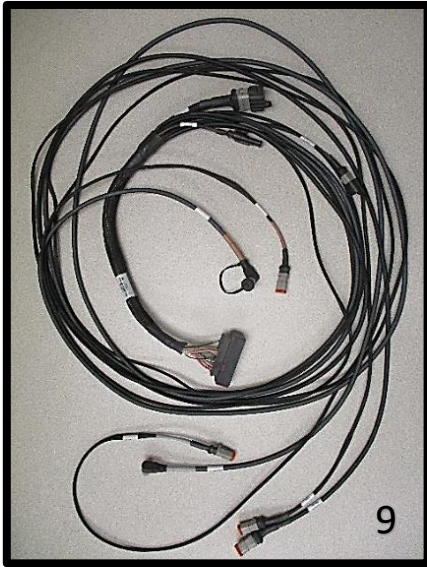
SN#: 8 & 12 Row - 21643 - 22088

SN# 16/18/24 Row - 21643 - 22149

Montag Dry Rate Controller Harness

| Item No. | Description | P/N | Montag P/N |
|----------|--|--------------|------------|
| 1 | Tractor ISO Connection | | |
| 2 | Harness - ISOBUS To ISOBUS Cable Extension (13') | ME0502040-13 | P002423 |
| | Harness - ISOBUS To ISOBUS Cable Extension (28') | ME0502040-28 | P002424 |
| | Harness - ISOBUS To ISOBUS Cable Extension (43') | ME0502040-43 | P002425 |
| 3 | Harness - ISOBUS to ECU Cable (13') | ME0502001-13 | P002410 |
| | Harness - ISOBUS to ECU Cable (28') | ME0502001-28 | P002334 |
| | Harness - ISOBUS to ECU Cable (43') | ME0502001-43 | P002395 |
| 4 | Harness - Foot Pedal Master Switch Extension (15') | ME052001 | P002341 |
| 5 | Switch - Remote Foot Pedal Master | ME052000 | P002340 |
| 6 | Sensor - Implement Height Switch | | K002504 |
| 7 | Kit - Montag Gen 1 Dry Rate Controller (2021+) | | K002503__ |

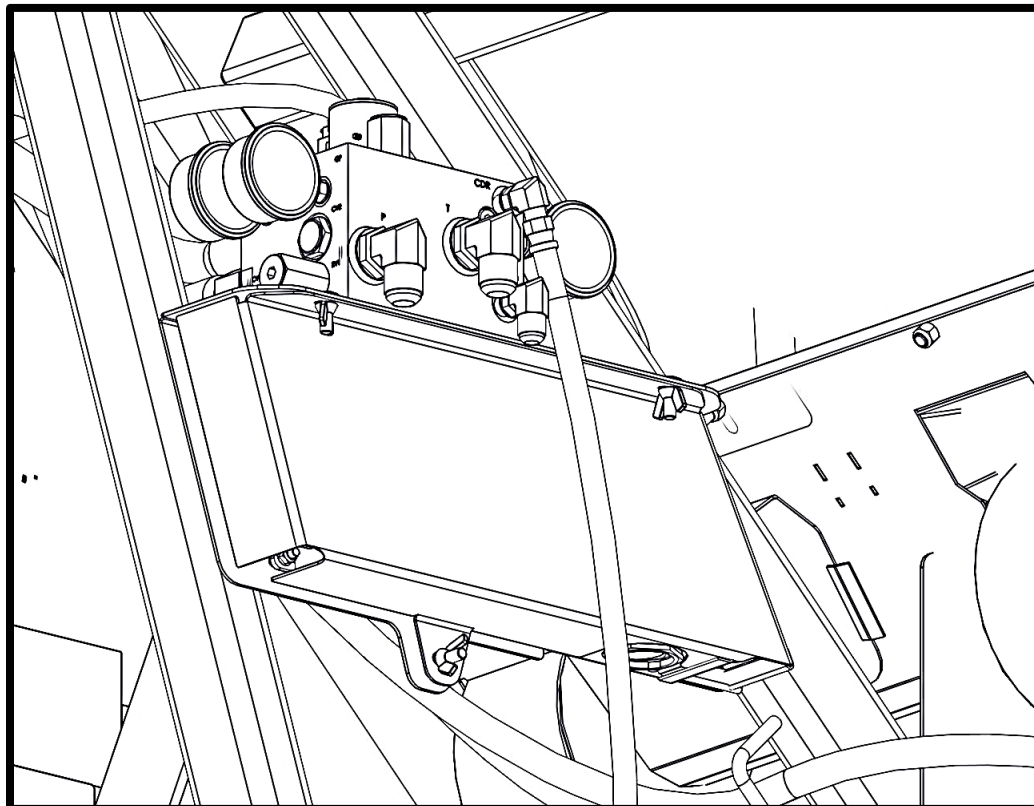
Montag Dry Rate Controller



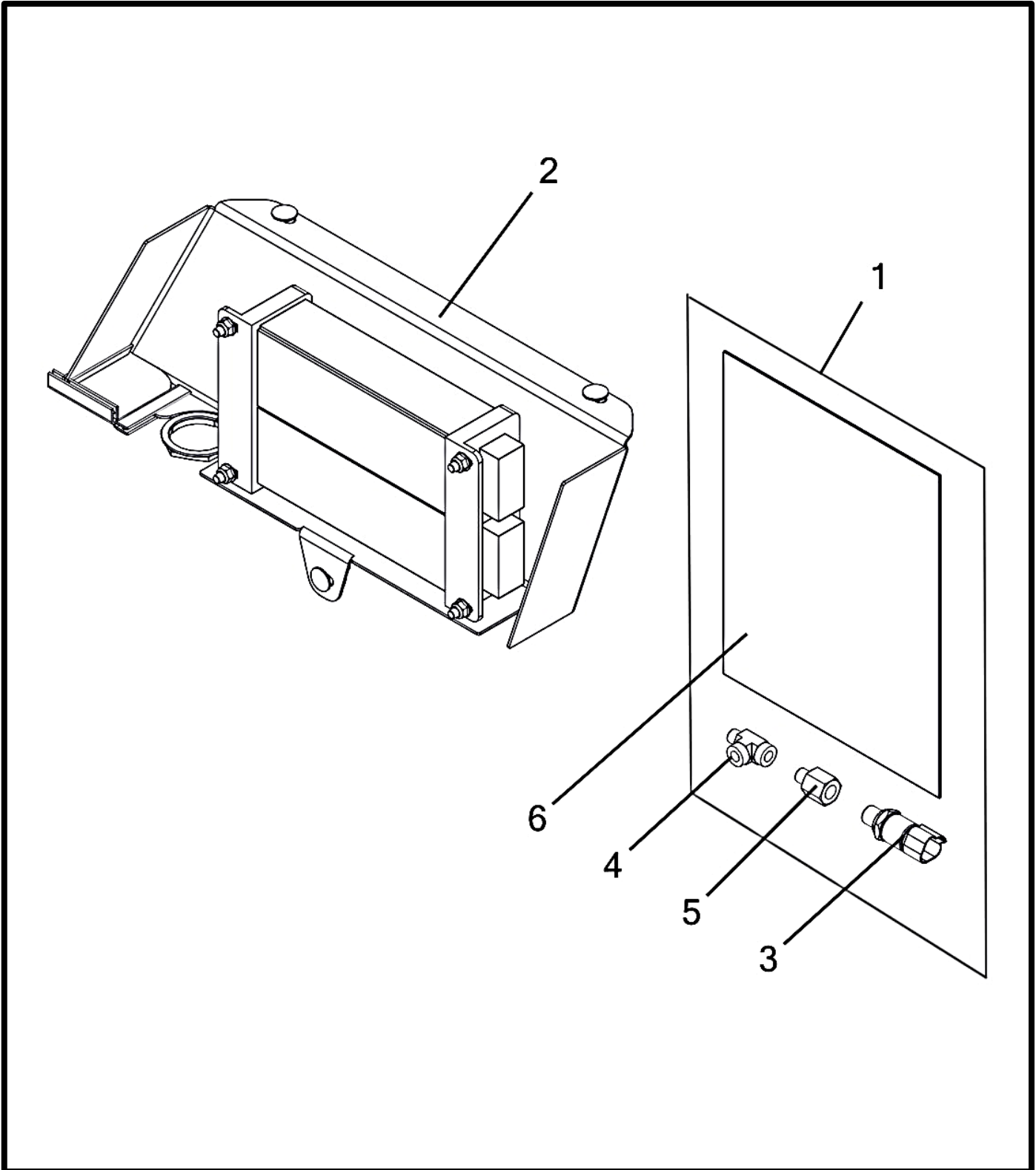
Montag Dry Rate Controller

| Item No. | Qty | P/N: | Part Number | Description |
|----------|-----|-----------|-------------------|--|
| | | | A002503_ _ | Kit - Montag Gen 1 Dry Rate Controller (2021+) |
| 1 | 1 | | M003639 | Shield - Montag Gen 1 ECU Cover |
| 2 | 3 | | M003694 | Trim - Edge (100B3X5-32 X 2.5") |
| 3 | 3 | | P000094 | Bolt - 5/16-18 x 1 x 1 Carriage (F593 304 S/S FB) * |
| 4 | 4 | | P000853 | Bolt - 1/4-20 x 0.75 x 0.75 Carriage (F593 304 S/S FB) * |
| 5 | 4 | | P002291 | Nut - 1/4-20 Flange Nylon Lock (18-8 S/S FB) * |
| 6 | 1 | ME0814000 | P002335 | ECU - Montag Dry Rate Controller (ME0814000) |
| 7 | 1 | ME0502039 | P002406 | Harness - ISO Tee (ECU, Digi-Star/Tractor 16 Pin, ISO Plug)(ME0502039) |
| 8 | 3 | | P002854 | Nut - 5/16-18 Wing (Nylon 6/6 FB) (Black) * |
| 9 | 1 | ME0514039 | P003127 | Harness - Montag Dry RC Gen 1 Implement (ME0514039) |
| 10 | 1 | | P003139 | Nut - Panel, Size 24, HD30 (112263-90) |
| 11 | 1 | | P003140 | Washer - Lock, Size 24, HD30 (112264) |

(*) Included In K002505 - Kit - Montag Gen 1 Dry Rate Controller (2021+) Hardware



Montag Dry Rate Controller w/Air Pressure Sensor



P/N's followed by “_” are color coded parts.

Color codes: AA = Black Paint, ZZ = Gray, ZY = Yellow, ZX = White
See inside front cover for details.

12/05/2023 - REV. B

SN#: 8 & 12 Row - 21643 - 22088

SN# 16/18/24 Row - 21643 - 22149

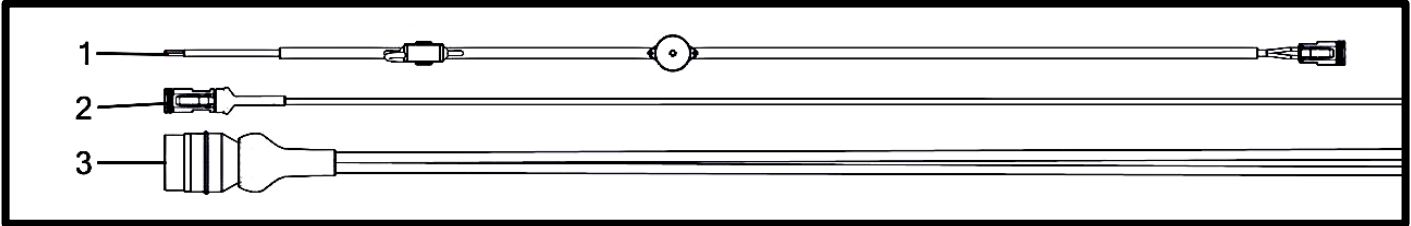
Montag Dry Rate Controller w/Air Pressure Sensor

| Item No. | Qty | Part Number | Description |
|----------|-----|----------------|--|
| | | K002517 | Kit - Tech Pkg, Gen 1 MDRC w/ Air Pressure Sensor |
| 1 | 1 | K002214 | Kit - Fan Air Pressure Sensor Add-On Kit (4-20 MA) |
| 2 | 1 | K002503_ _ | Kit - Montag Gen 1 Dry Rate Controller (2021+) |
| 3 | 1 | P002731 | Sensor - Air Pressure 3-Pin (0-3.6 psi) (1/4 NPT) * |
| 4 | 1 | P002904 | Fitting - Hyd - 1=#2 M Pipe, 2&3=#2 F Pipe Tee * |
| 5 | 1 | P002905 | Fitting - Hyd - #2 M Pipe x #4 F Pipe Straight * |
| 6 | 1 | P002910 | Document - Air Pressure Add-on Installation Guide * |

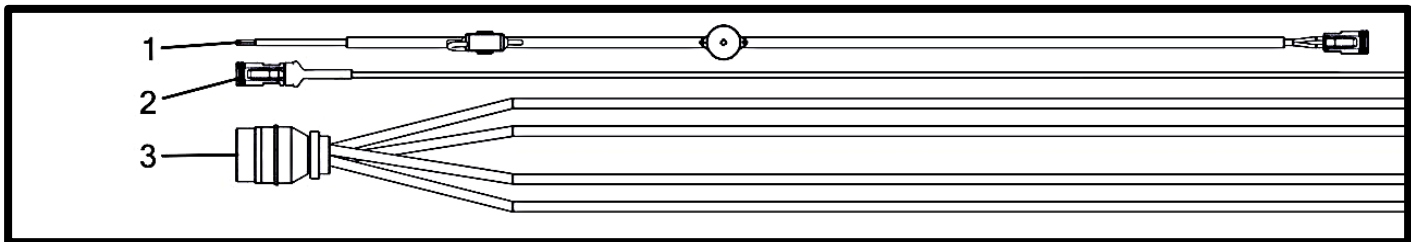
(*) Included In K002214 - Kit - Fan Air Pressure Sensor Add-On Kit (4-20 MA)

TECH. PACKAGES

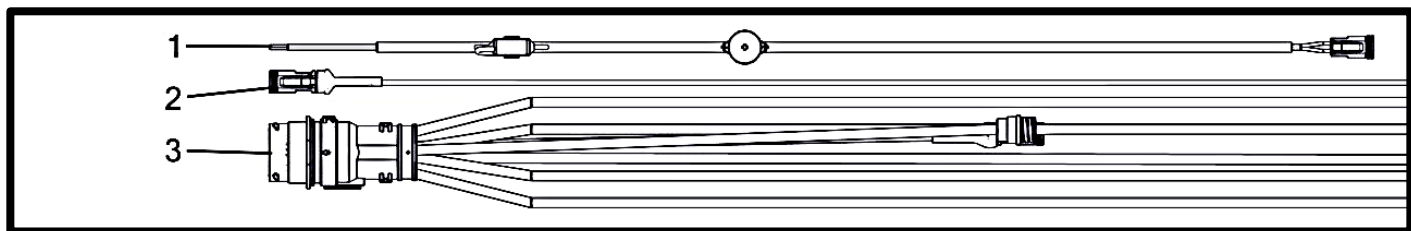
37 Pin, 1 Section



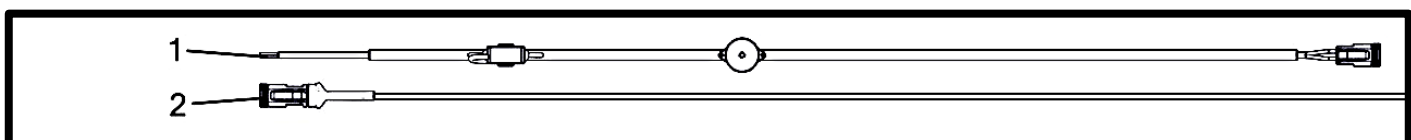
37 Pin, 2 Section



47 Pin, 1&2 Section



No Controller Harness



TECH. PACKAGES

37 Pin, 1 Section

| Item No. | Qty | Part Number | Description |
|----------|-----|----------------|--|
| | | K002246 | Kit - Tech Pkg, 37 Pin 1 Section |
| 1 | 1 | P000374 | Wire Harness - Case Drain Pressure Alarm |
| 2 | 1 | P000377 | Harness - DT 2 Pin Extension (50') |
| 3 | 1 | P002038 | Harness - 37 Pin GreenStar RC (Single Product/Section) (12V Encoder) |

37 Pin, 2 Section

| Item No. | Qty | Part Number | Description |
|----------|-----|----------------|--|
| | | K002247 | Kit - Tech Pkg, 37 Pin 2 Section |
| 1 | 1 | P000374 | Wire Harness - Case Drain Pressure Alarm |
| 2 | 1 | P000377 | Harness - DT 2 Pin Extension (50') |
| 3 | 1 | P002070 | Harness - 37 Pin GreenStar RC (Dual Product/Section) (12V Encoder) |

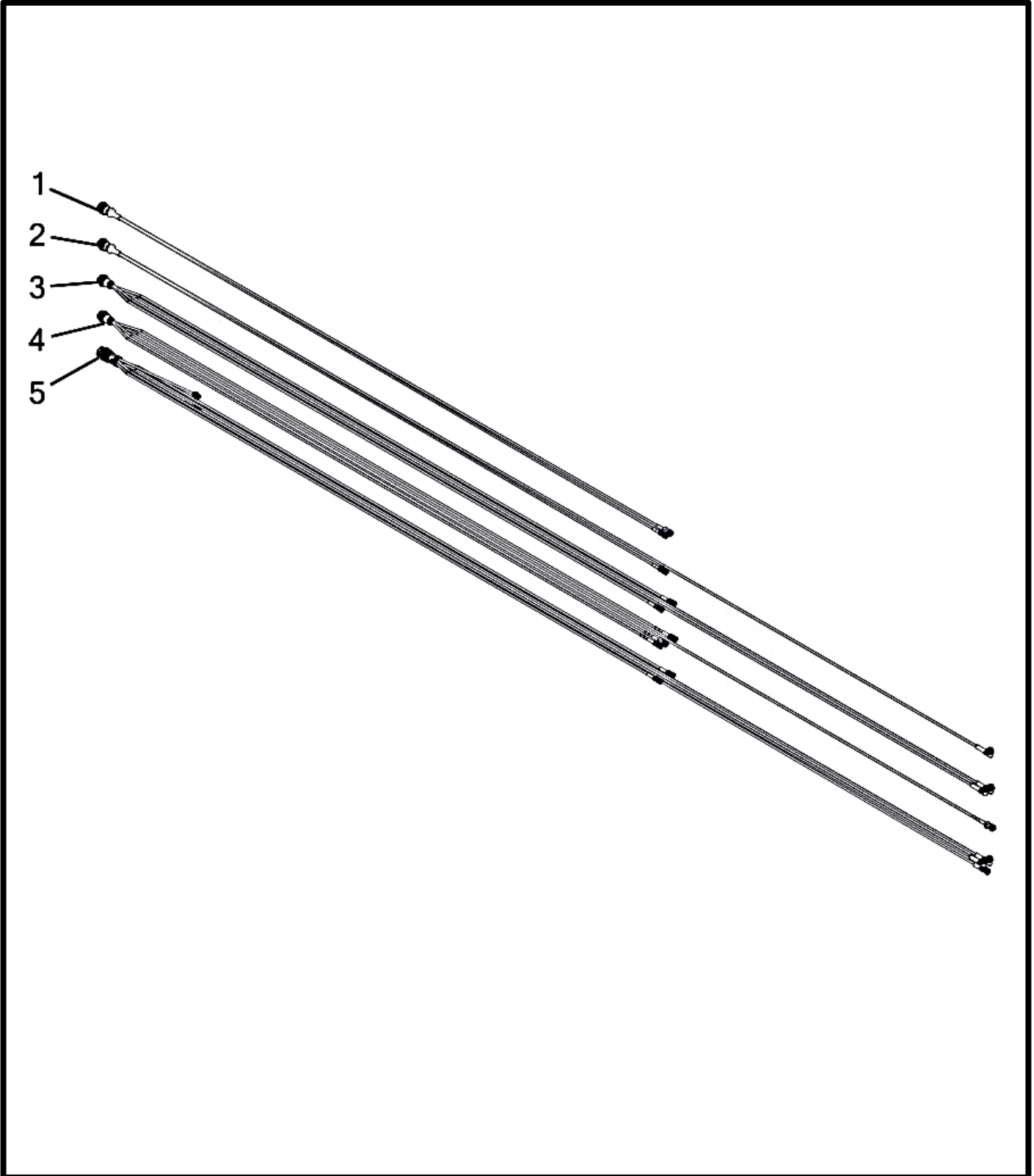
47 Pin, 1&2 Section

| Item No. | Qty | Part Number | Description |
|----------|-----|----------------|---|
| | | K002248 | Kit - Tech Pkg, 47 Pin 1&2 Section |
| 1 | 1 | P000374 | Wire Harness - Case Drain Pressure Alarm |
| 2 | 1 | P000377 | Harness - DT 2 Pin Extension (50') |
| 3 | 1 | P002921 | Harness - 47 Pin JDRC 2000 (Dual Product/Section) (12V Encoder) |

No Controller Harness

| Item No. | Qty | Part Number | Description |
|----------|-----|----------------|--|
| | | K002273 | Kit - Tech Pkg, No Controller Harness |
| 1 | 1 | P000374 | Wire Harness - Case Drain Pressure Alarm |
| 2 | 1 | P000377 | Harness - DT 2 Pin Extension (50') |

Electrical Harnesses



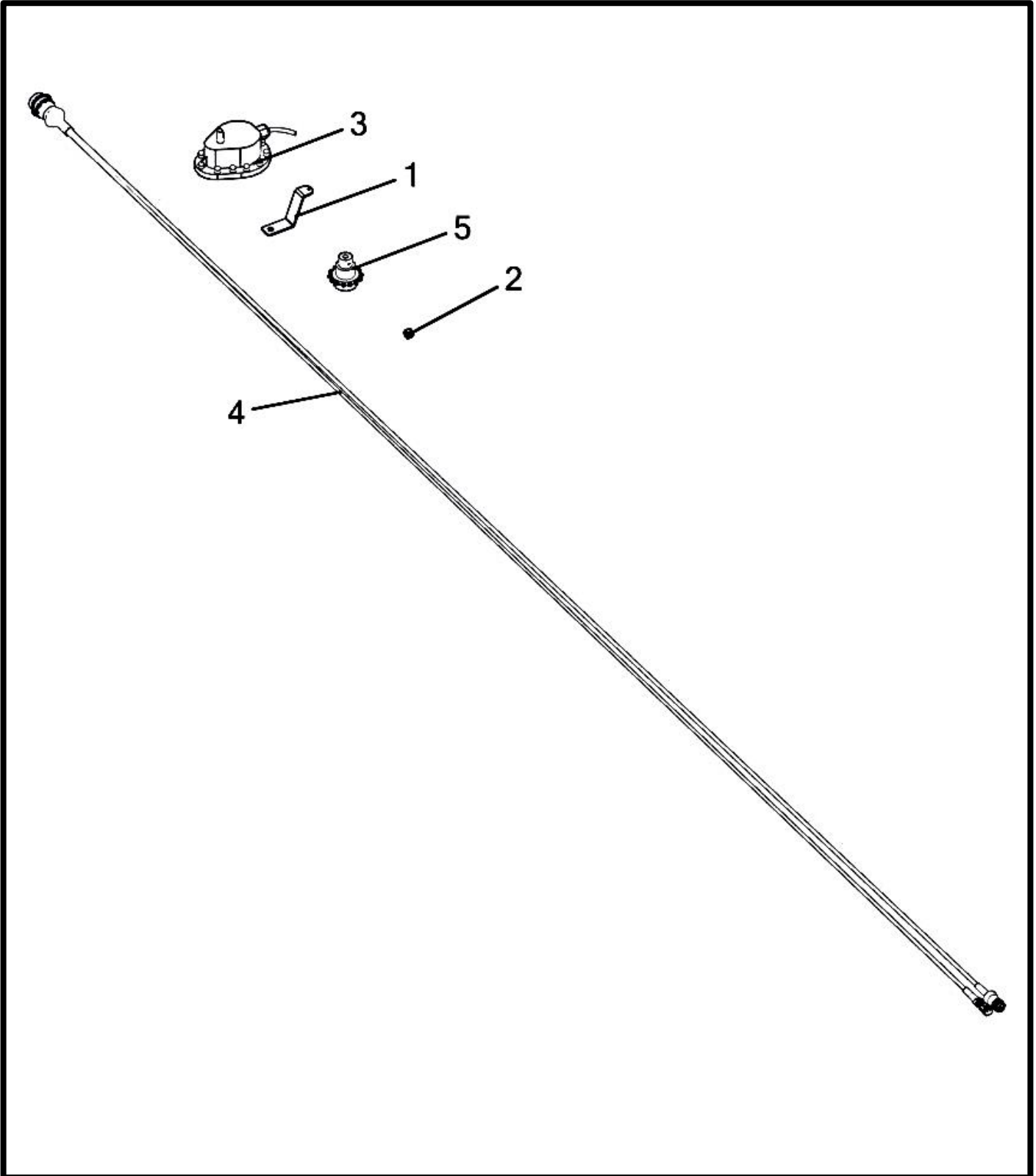
Electrical Harnesses

| Item No. | Qty | Part Number | Description |
|----------|-----|-------------|--|
| 1 | 1 | P000717 | Harness - 37 Pin Greenstar RC (Single Product/Section)(5V Encoder) * JDRC compatible |
| 2 | 1 | P002038 | Harness - 37 Pin Greenstar RC (Single Product/Section)(12V Encoder) * JDRC compatible * |
| 3 | 1 | P002070 | Harness - 37 Pin Greenstar RC (Dual Product/Section)(12V Encoder) * JDRC compatible * |
| 4 | 1 | P002372 | Harness - 37 Pin Greenstar RC (Dual Product/Section)(5V Encoder) * JDRC compatible * |
| 5 | 1 | P002921 | Harness - 47 Pin JDRC 2000 (Dual Product/Section) (12V Encoder) † |

(*) Requires P002831 To Be Compatible W/Raven SCS 4400 Console

(†) Not compatible with JD Greenstar Rate Controller Dry

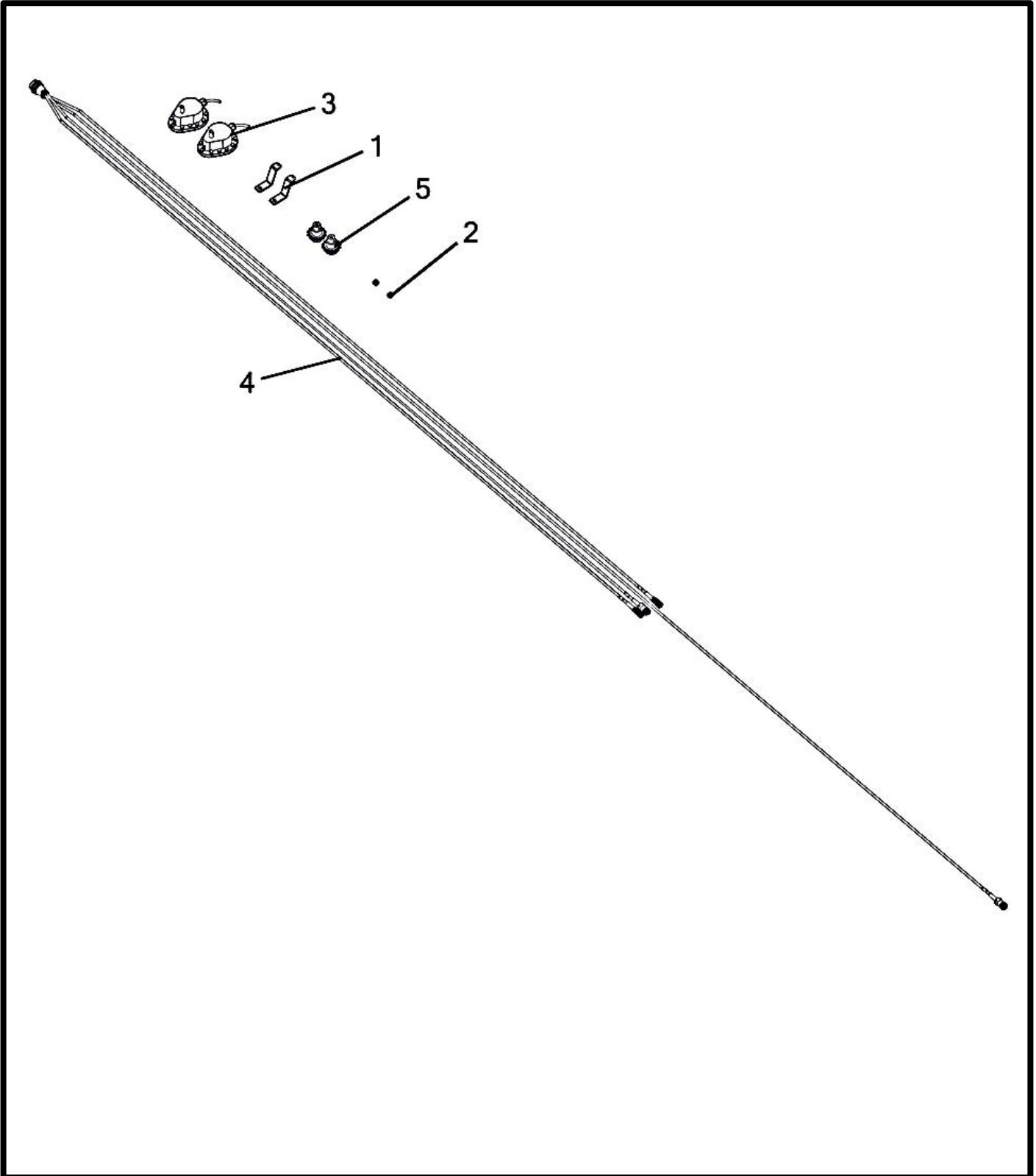
Kit - 1 Section Gen 1 Raven Encoder Add-on



Kit - 1 Section Gen 1 Raven Encoder Add-on

| Item No. | Qty | Part Number | Description |
|----------|-----|----------------|--|
| | | K002006 | Kit - 1 Section Gen 1 Raven Encoder Add-on |
| 1 | 1 | M000622 | Bracket - Encoder |
| 2 | 1 | P000105 | Nut - 3/8-16 Hex Nylon Lock (F594 316 S/S FB) |
| 3 | 1 | P000160 | Encoder - Raven |
| 4 | 1 | P000717 | Harness - 37 Pin Greenstar RC (Single Product/Section)(5V Encoder) |
| 5 | 1 | W000076 | Sprocket - Encoder (Raven) |

Kit - 2 Section Gen 1 Raven Encoder Add-on



P/N's followed by “_” are color coded parts.

Color codes: AA = Black Paint, ZZ = Gray, ZY = Yellow, ZX = White
See inside front cover for details.

12/05/2023 - REV. B

SN#: 8 & 12 Row - 21643 - 22088
SN# 16/18/24 Row - 21643 - 22149

Kit - 2 Section Gen 1 Raven Encoder Add-on

| Item No. | Qty | Part Number | Description |
|----------|-----|----------------|---|
| | | K002015 | Kit - 2 Section Gen 1 Raven Encoder Add-on |
| 1 | 2 | M000622 | Bracket - Encoder |
| 2 | 2 | P000105 | Nut - 3/8-16 Hex Nylon Lock (F594 316 S/S FB) |
| 3 | 2 | P000160 | Encoder - Raven |
| 4 | 1 | P002372 | Harness - 37 Pin GreenStar RC (Dual Product/Section) (5V Encoder) |
| 5 | 2 | W000076 | Sprocket - Encoder (Raven) |

NOTES

NOTES



**Montag Manufacturing, Inc.
3816 461st Avenue
Emmetsburg, IA 50536
Phone: (712) 852-4572
FAX: (712) 852-4574**

**Tech Support: (712) 852-4572
or
support@montagmfg.com**

**Visit us at:
www.montagmfg.com**