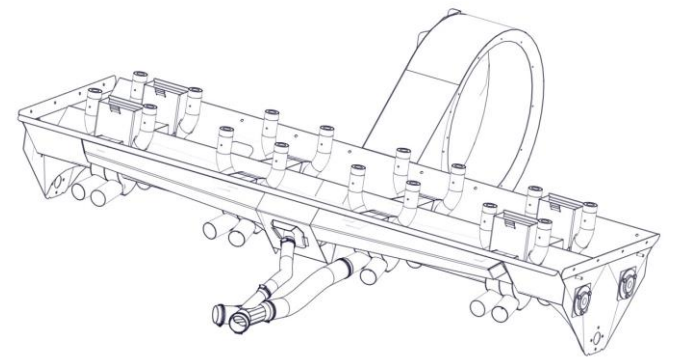
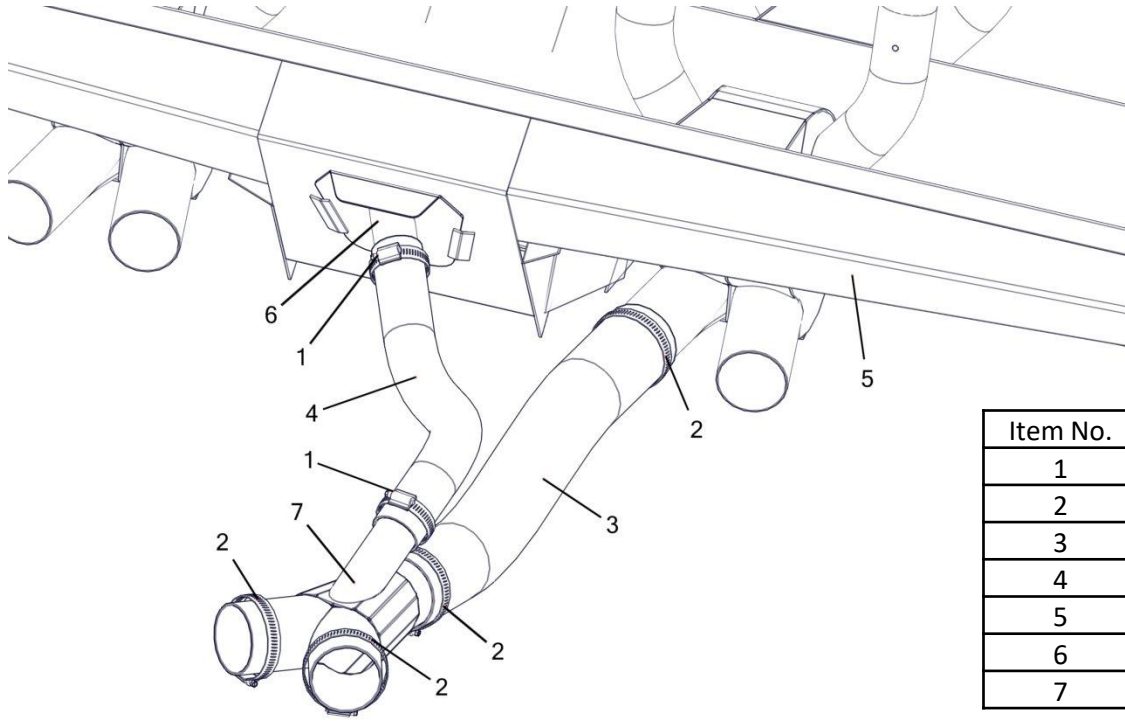
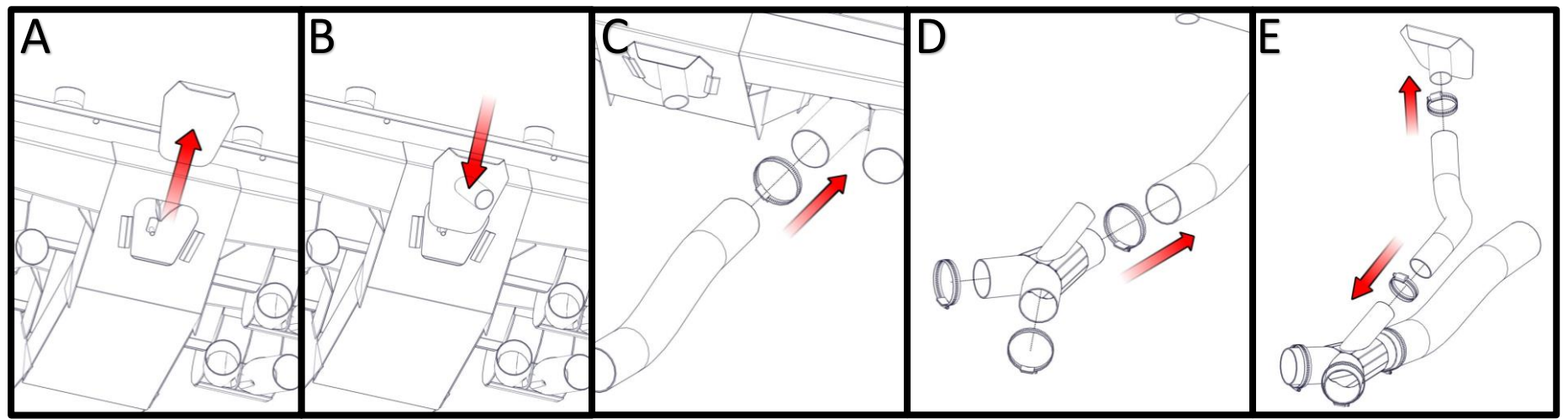


# 1/2 Rate Side Dress Splitter Installation Guide



Item No.	Qty	Description
1	2	Hose Clamp - 1-1/2" S/S
2	4	Hose Clamp - (2" or 2-1/2") - S/S
3	1	Hose - (2" or 2-1/2") x 18" Air PVC
4	1	Hose - (1-1/4" or 1-1/2") x 18" Air PVC
5	1	Meter - Montag Gen I
6	1	Door - Meter Clean Out w/Outlet
7	1	Splitter (1/2 Rate)