

*Mid MY2020 and newer machines with integrated internal analog Slidegate sensors are not compatible with this kit.



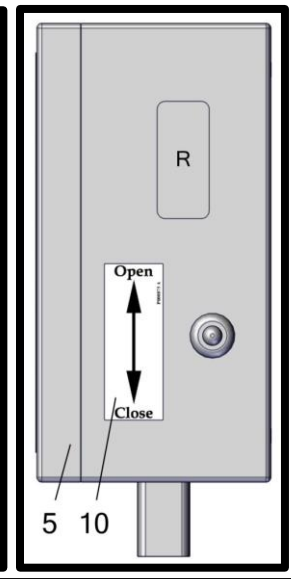
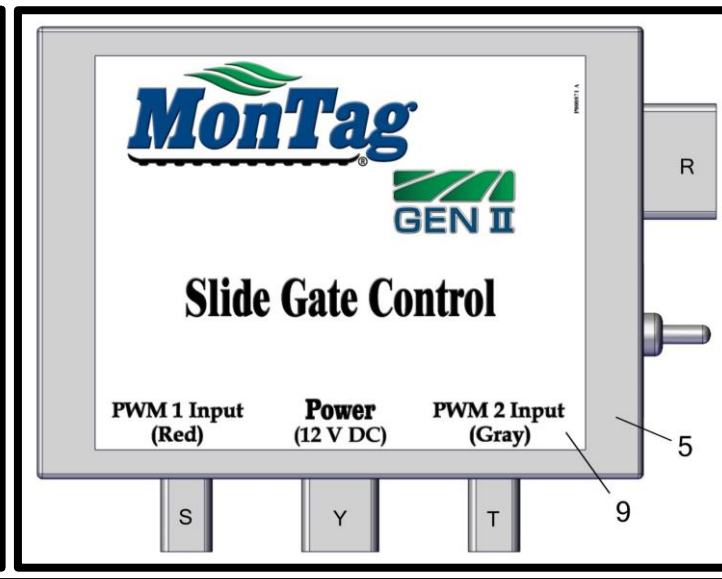
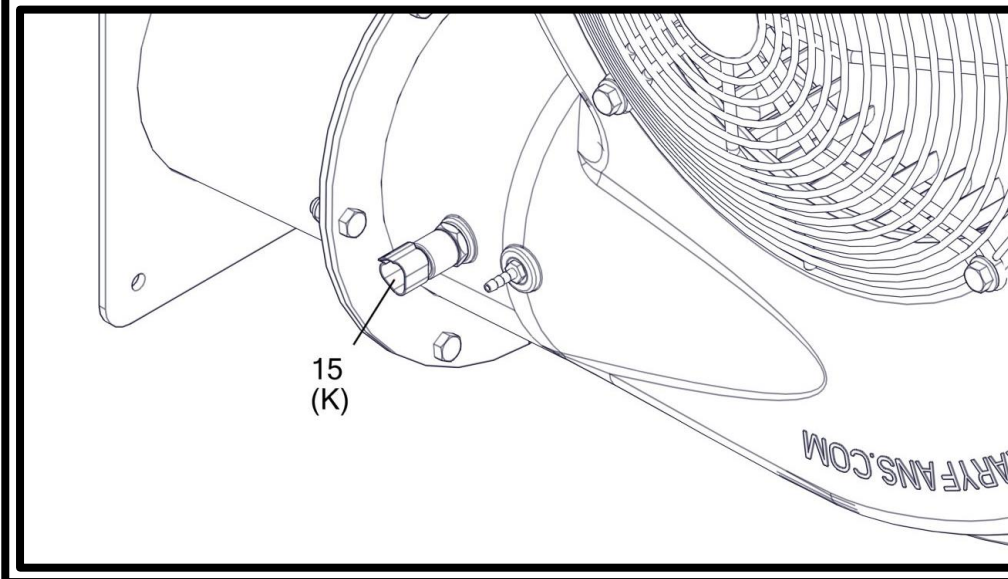
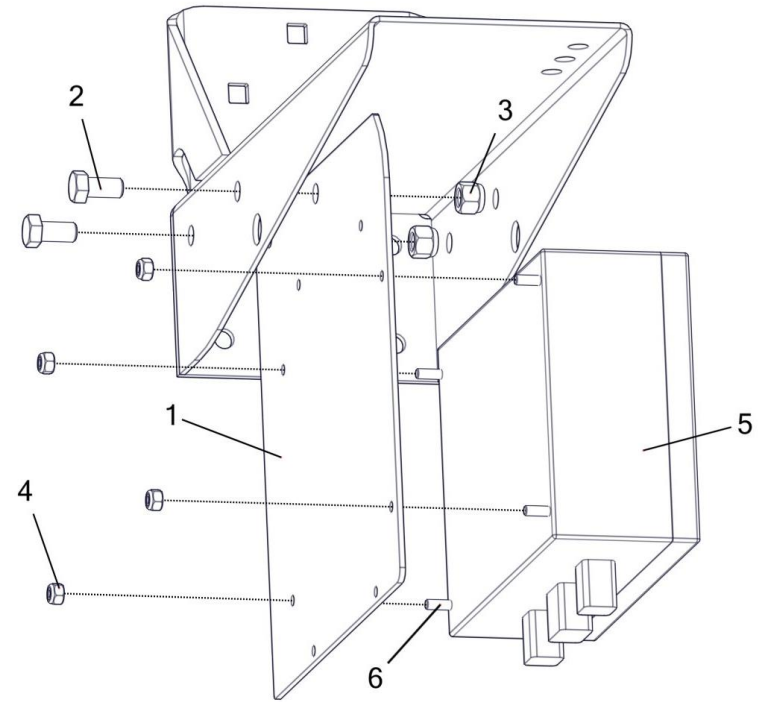
RC2000 GEN II (MY2016-2020+) INSTALLATION INSTRUCTIONS

Item No.	Description	Connecting Part
A	Case Drain Alarm	Pressure Sensor
B	Encoder 1 (Gray)	Speed Sensor (1)
C	Encoder 2 (Brown)	Speed Sensor (2)
D	Gate Sensor 1	Slide Gate Cylinder (1)
E	Gate Sensor 2	Slide Gate Cylinder (2)
F	SP1 (Red)	Hydraulic Manifold
G	Open Gate (Green)	Hydraulic Manifold
H	SP2 (Gray)	Hydraulic Manifold
I	Close Gate (Brown)	Hydraulic Manifold
J	Sections (Capped)	Section Control Harness
K	Fan Pressure Sensor	Fan Pressure Sensor
L	Lift Switch / Extension (Capped)	ISO Ext. Harness

Item No.	Description	Connecting Part
M	Auxiliary (Capped)	N/A
N	47 Pin Connector	Customer Supplied JD RC2000
O	Slidegate Cylinder Harness	P002110 / P002164
P	System Power	Tractor Switched Power
Q	Remote Slidegate Box	P002110 / P002117
R	Slidegate Control Box	Slidegate Control Box
S	PWM 1 Input	Slidegate Control Box
T	PWM 2 Input	Slidegate Control Box
U	JD Dry Rate ISOBUS 12 Pin	JD Harness
V	Isobus Termination Connector	ISOBUS Terminator
X	ISO Connection	Digi Star ECU
Y	Slidegate Center Connector	Slide Gate Control Box

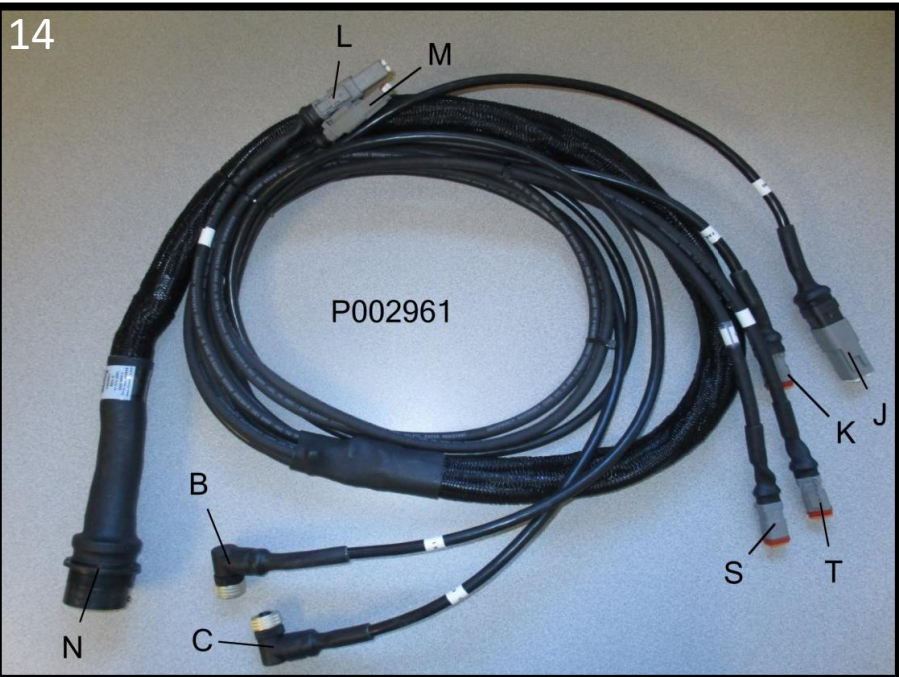
K002265 - KIT - JDRC 2000 GEN II SLIDE GATE UPGRADE

Item No.	Qty	Part Number	Description
1	1	M003329	Plate - Remote Slidegate Control Mount
2	2	P000038	Bolt - 3/8-16 x 0.75 x 0.75 Hex (GR 5 M/S FA)
3	2	P000057	Nut - 3/8-16 Hex Nylon Lock (GR 5 M/S FA)
4	4	P003056	Nut - #6-32 Hex Nylon Lock (18-8 S/S FB)
5	1	P002063	Box - Slide Gate Control
6	4	P003055	Screw - #6-32 x 0.6250 x .526 Machine Socket Head (18-8 S/S FB)
7	1	P000455	Harness - John Deere Dry Rate / Seed Star ISOBUS (Digi-Star)
8	1	P000861	Harness - Slide Gate Control / PWM Relay
9	1	P000871	Decal - Slide Gate Control Box
10	2	P000875	Decal - Slide Gate Control Open/Close
11	1	P002110	Harness - Slide Gate Remote / Buzzer Termination (50')
12	1	P002117	Electrical Box - Slide Gate Remote
13	1	P002164	Harness - Slide Gate Cylinder Sensor
14	1	P002961	Harness - 47 Pin JDRC 2000/Gen II Product
15	1	P002978	Sensor - Air Pressure 3-Pin (0-5 psi, .5-4.5 Vdc) (1/4 NPT)



RC2000 GEN II (MY2016-2020+) INSTALLATION INSTRUCTIONS

14



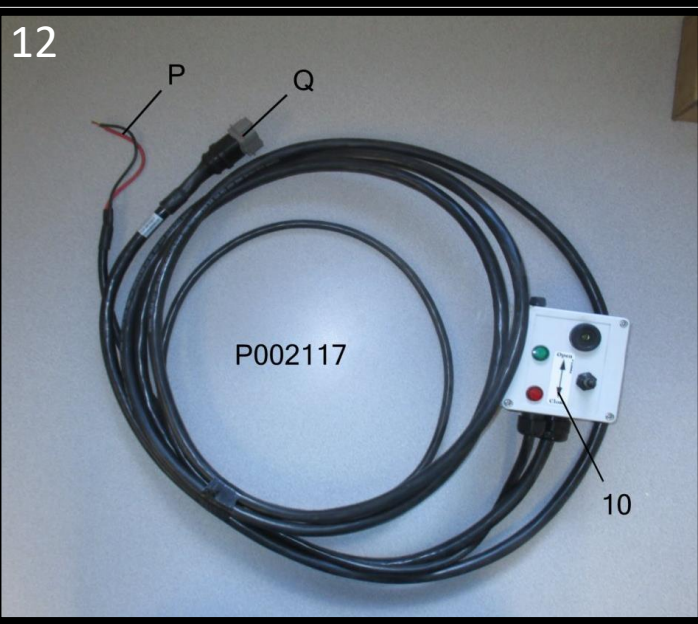
11



7



12



13



8

