

Use this document to install a JD RC2000 controller on a Montag Gen II instead of a Montag Dry Rate Controller. This kit is needed to add Slidegate functionality because the RC2000 does not have this function integrated into it. Connect correct harnesses to location on machine indicated by alpha identification. For Montag Gen II MY2016-2020*.

*Mid MY2020 and newer machines with integrated internal analog Slidegate sensors are not compatible with this kit.



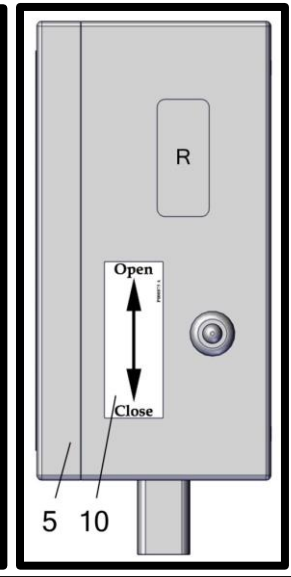
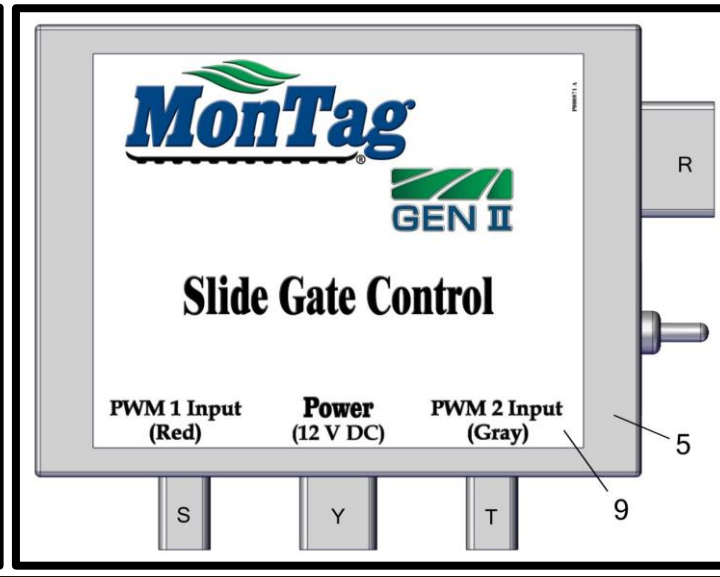
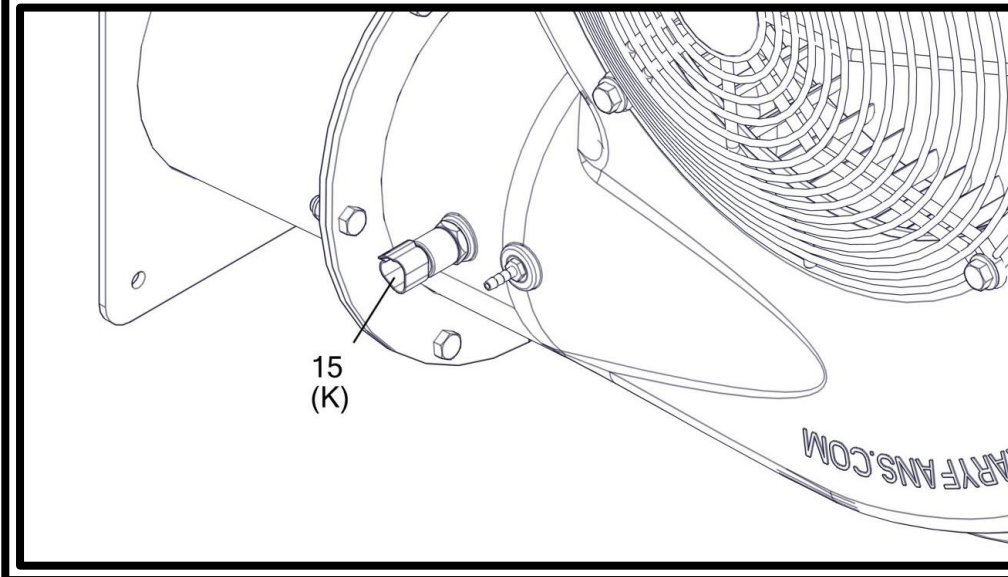
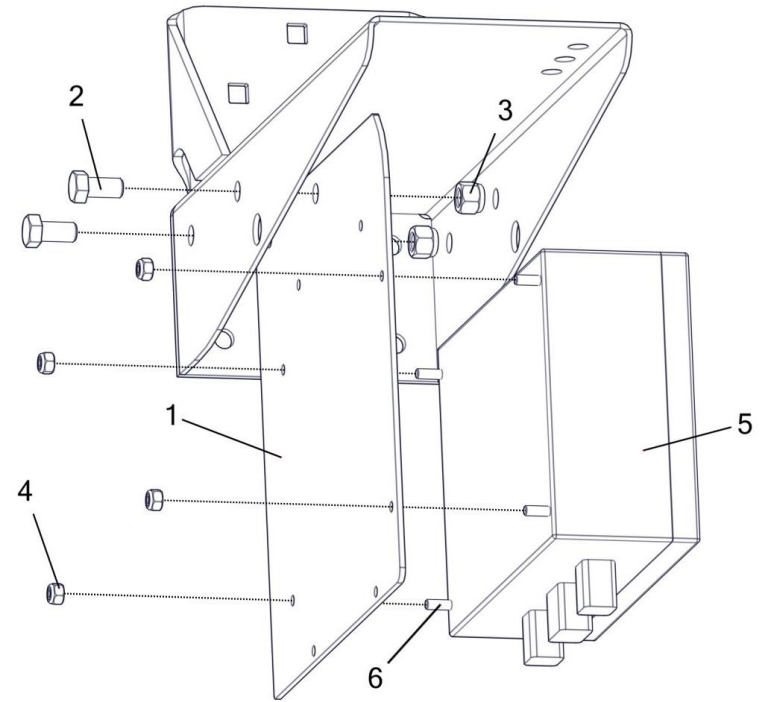
RC2000 GEN II (MY2016-2020+) INSTALLATION INSTRUCTIONS

Item No.	Description	Connecting Part
A	Case Drain Alarm	Pressure Sensor
B	Encoder 1 (Gray)	Speed Sensor (1)
C	Encoder 2 (Brown)	Speed Sensor (2)
D	Gate Sensor 1	Slide Gate Cylinder (1)
E	Gate Sensor 2	Slide Gate Cylinder (2)
F	SP1 (Red)	Hydraulic Manifold
G	Open Gate (Green)	Hydraulic Manifold
H	SP2 (Gray)	Hydraulic Manifold
I	Close Gate (Brown)	Hydraulic Manifold
J	Sections (Capped)	P002961/ Section Control Harness or P003086
K	Fan Pressure Sensor	Fan Pressure Sensor
L	Lift Switch / Extension (Capped)	ISO Ext. Harness
M	Auxiliary (Capped)	N/A

Item No.	Description	Connecting Part
N	47 Pin Connector	Customer Supplied JD RC2000
O	Slidegate Cylinder Harness	P002110 / P002164
P	System Power	Tractor Switched Power
Q	Remote Slidegate Box	P002110 / P002117
R	Slidegate Control Box	Slidegate Control Box
S	PWM 1 Input	Slidegate Control Box
T	PWM 2 Input	Slidegate Control Box
U	JD Dry Rate ISOBUS 12 Pin	JD Harness
V	Isobus Termination Connector	ISOBUS Terminator
X	ISO Connection	Digi Star ECU
Y	Slidegate Center Connector	Slide Gate Control Box
AA	3 Section Machine	Section Control Harness
AB	4 Section Machine	Section Control Harness

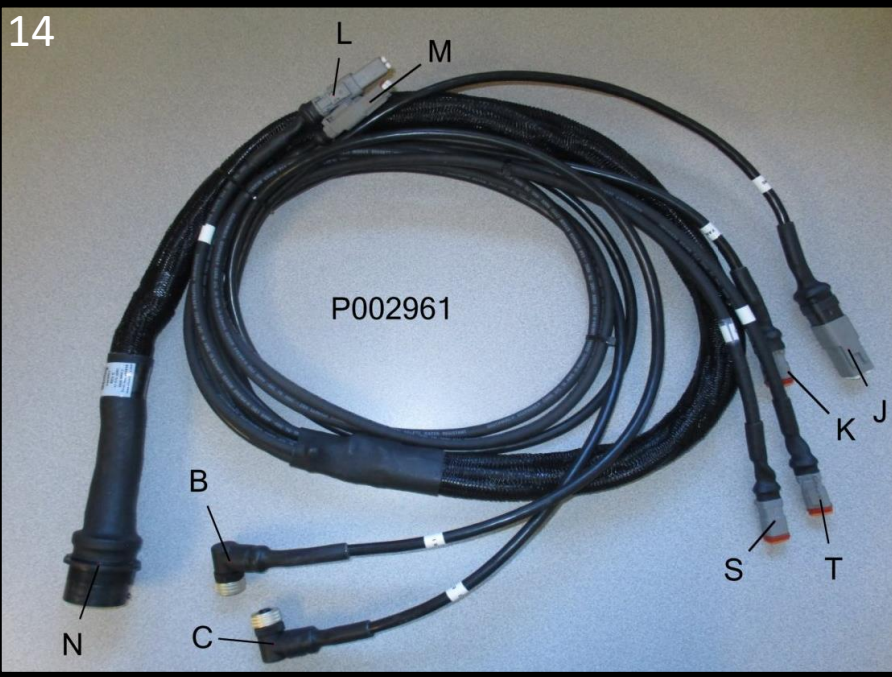
K002265 - KIT - JDRC 2000 GEN II SLIDE GATE UPGRADE

Item No.	Qty	Part Number	Description
1	1	M003329	Plate - Remote Slidegate Control Mount
2	2	P000038	Bolt - 3/8-16 x 0.75 x 0.75 Hex (GR 5 M/S FA)
3	2	P000057	Nut - 3/8-16 Hex Nylon Lock (GR 5 M/S FA)
4	4	P003056	Nut - #6-32 Hex Nylon Lock (18-8 S/S FB)
5	1	P002063	Box - Slide Gate Control
6	4	P003055	Screw - #6-32 x 0.6250 x .526 Machine Socket Head (18-8 S/S FB)
7	1	P000455	Harness - John Deere Dry Rate / Seed Star ISOBUS (Digi-Star)
8	1	P000861	Harness - Slide Gate Control / PWM Relay
9	1	P000871	Decal - Slide Gate Control Box
10	2	P000875	Decal - Slide Gate Control Open/Close
11	1	P002110	Harness - Slide Gate Remote / Buzzer Termination (50')
12	1	P002117	Electrical Box - Slide Gate Remote
13	1	P002164	Harness - Slide Gate Cylinder Sensor
14	1	P002961	Harness - 47 Pin JDRC 2000/Gen II Product
15	1	P002978	Sensor - Air Pressure 3-Pin (0-5 psi, .5-4.5 Vdc) (1/4 NPT)
16	1	P003086	Harness - RC 2000 3+4 Section Jumper (1')



RC2000 GEN II (MY2016-2020+) INSTALLATION INSTRUCTIONS

14



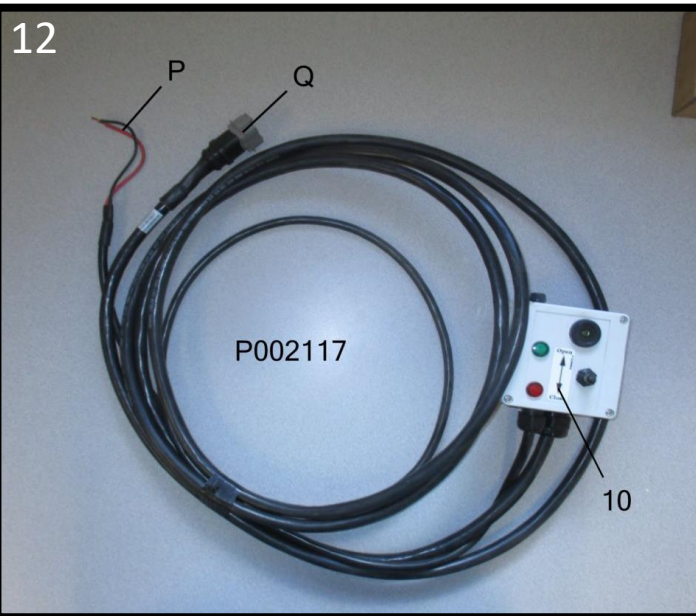
7



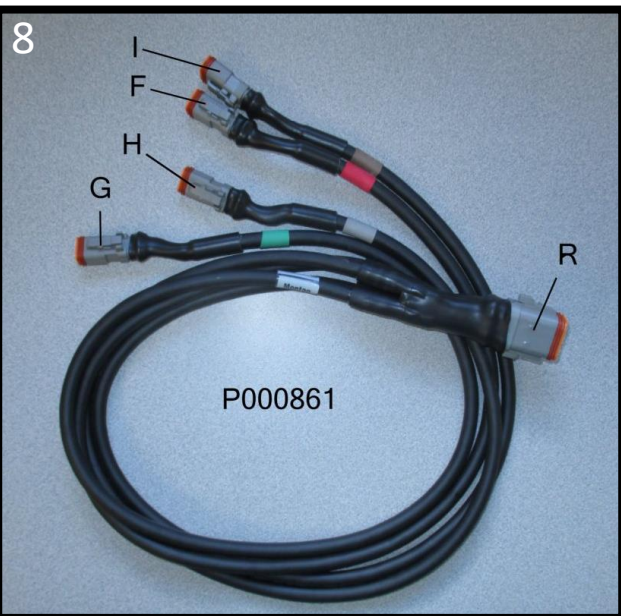
11



12



8



13



16

