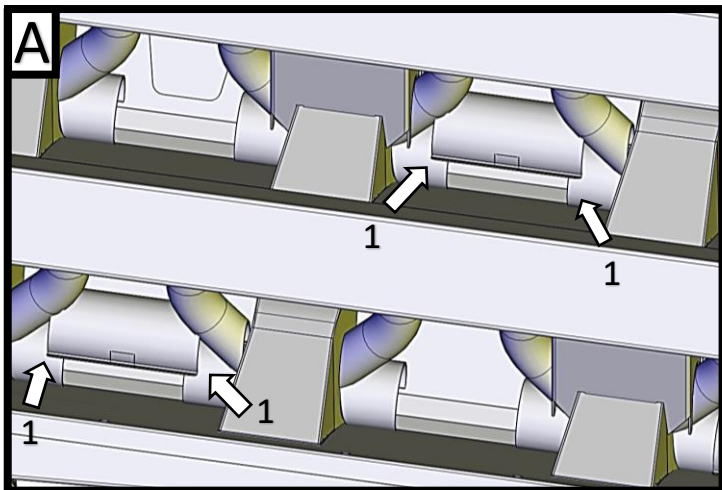
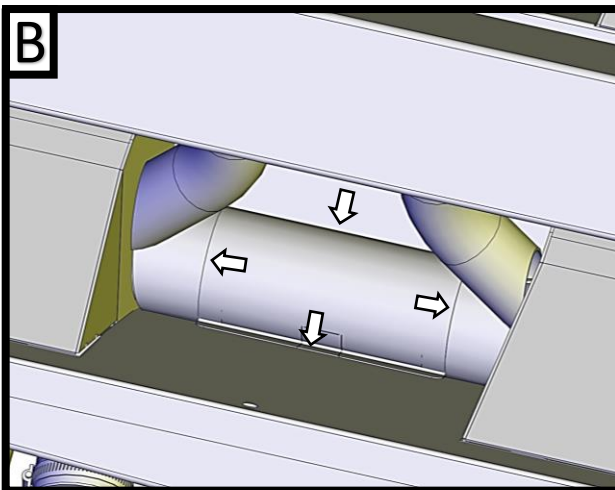


**K002755 - Kit - Row Reducer
Gen 1 24 Row to 12 Row HO Meter**

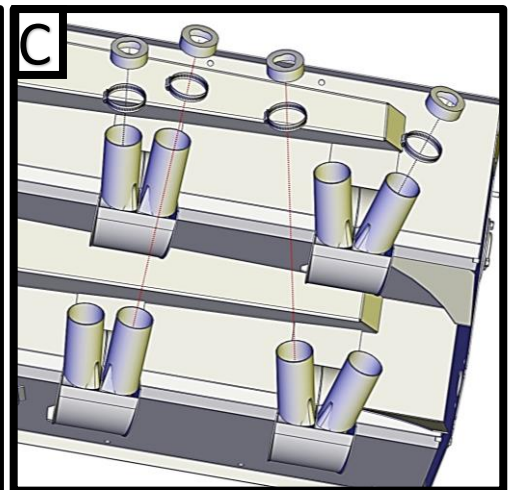
Item No.	Qty	Part Number	Description
1	5	M000153	Row Reducer 12 Row - HO Center
2	2	M000154	Row Reducer 12 Row - HO Outside
3	12	M000179	Cap - 2-1/2" Orange w/Hole
4	12	P000239	Hose Clamp - 2-1/2"-3-1/2" S/S



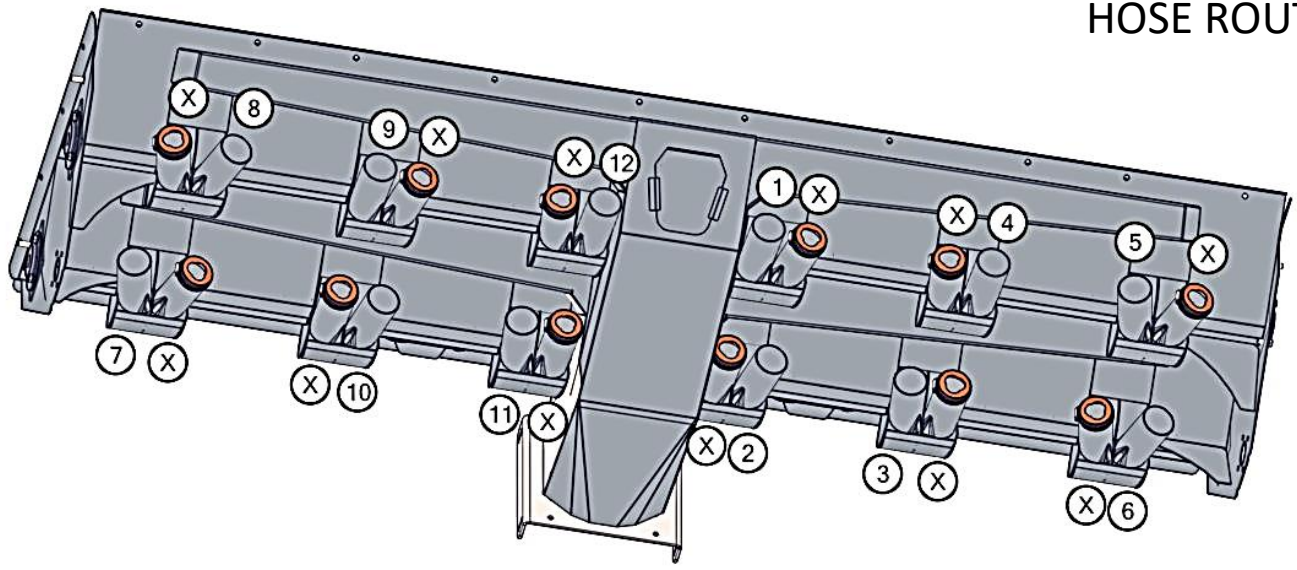
APPLY SILICONE TO TOP OF AUGER COVER (ARROW 1). CENTER AND SNAP THE REDUCER DOWN OVER THE COVER.



WITH THE REDUCER SECURELY IN PLACE, SEAL EACH EDGE WITH SILICONE. REPEAT FOR EACH REDUCER.



SLIDE CAPS OVER ALL BLOCKED ROW OUTLET TUBES. SECURE EACH ONE WITH A HOSE CLAMP.



HOSE ROUTING AS SHOWN