



# MONTAG MFG. AUTO-STEER CART 2022-2023

Serial Numbers

2022: 21996-22492 (LESS 22003)

2023: 22499+

## PARTS MANUAL



Color coded parts are denoted in this catalog by “\_\_” following the p/n. When ordering replacement parts, color coded parts need to be ordered w/ their corresponding color suffix. The following is a list of color codes:

- AA = Black Paint
- ZZ = Gray Poly
- ZY = Yellow Poly
- ZX = White Poly

For example, when ordering a M001018\_\_ in black, you would order M001018AA at time of ordering. Failure to add the color code may result in getting an unpainted part, rather than a painted one.

**Major changes for 2022 model year include:**

- **Upgraded the arm and spindle pivots to use a pin system, rather than a bolt. Retrofittable update kits are available for older models:**
  - 6 ton - K002765 - Kit - 6 Ton Cart Arm King Pin Upgrade Kit**
  - 9 and 12 - K002720 - Kit - 9 & 12 Ton Cart Arm King Pin Upgrade Kit**
- **Updated Shaft Bushings.**

**Major changes for 2023 model year include:**

- **Added Lower Arm King Pin Hardware.**
- **Updated Knuckle Block Design.**

2022-2023 model year changes are marked in the Part Number column with the following designations:

**(N)** - Non-Retrofittable 2022 change (**will not** work with previous models)

**(R)** - Retrofittable 2022 change (**will** work with previous model)

List Of Operations Manuals For Auto-Steer Carts	
P003887	Document - Montag Mfg. (2022+) Cart Operator's Manual

## Table of Contents

### **AUTO-STEER CART 2022+**

LIST OF AVAILABLE CART CONFIGURATIONS.....06-07

6 Ton Cart Overview.....08-09

#### 6 Ton Cart

6 Ton Center Frame..... 10-11

6 Ton King Pin Assembly..... 12-13

6 Ton Arm and Kingpin Attachment..... 14-15

6 Ton Tie Rods..... 16-17

6 Ton Axle Area..... 18-19

    6 Ton Spindle Assemblies..... 20-21

    6 Ton Tire Options..... 22-23

6 Ton Arms and Jacks..... 24-25

    6 Ton Replacement Arm Assemblies..... 26-27

Straps and Saddles..... 28-29

    Cart Hose Guide Strap Kit..... 30-31

6 Ton Couplers and Gussets..... 32-33

    Safety Chains and Ball Hitch Couplers..... 34-35

        Adjustable Ball Hitch Coupler Assembly..... 36-37

        Transport Receiver (Ball) Assembly..... 38-39

    Safety Chains and Knuckle Hitch Couplers..... 40-41

        Knuckle Hitch Coupler Assembly..... 42-43

        Knuckle Transport Receiver..... 44-45

    Drift Assist..... 46-47

        Drift Assist Steering Arm Assembly..... 48-49

6 Ton Cart - Metric..... 50-51

6 Ton Metric King Pin Assembly..... 52-53

6 Ton Arm and Kingpin End Attachment..... 54-55

6 Ton Metric Axle Area..... 56-57

6 Ton Metric Spindle Assemblies..... 58-59

Table of Contents (continued)

12 Ton Cart Overview..... 60-61

12 Ton Carts

12 Ton Center Frame..... 62-63  
 12 Ton King Pin Assembly..... 64-65  
 12 Ton Arm and Kingpin Attachment..... 66-67  
 12 Ton Tie Rods (Tires Only)..... 68-69  
 12 Ton Axle Area..... 70-71  
     12 Ton Spindle Assemblies..... 72-73  
     12 Ton Tire Options..... 74-75  
 12 Ton Track King Pin Assembly..... 76-77  
 12 Ton Track Axle Area..... 78-79  
 12 Ton Tie Rods For Track Carts..... 80-81  
 12 Ton Track Axle Area..... 82-83  
     12 Ton Track Options..... 84-85  
 12 Ton Arms And Jacks..... 86-87  
     12 Ton Replacement Arm Assemblies..... 88-89  
 12 Ton Couplers and Gussets..... 90-91

Decals..... 92-93

Mounting Hardware

Gen 1 w/Scale Kit..... 94-95  
     Gen 1 and Liquid Systems - No Scale Kit..... 96-97  
     Gen 2..... 98-99

Light Kits

LED w/ High-Rise Mounts And Safety Module(Gen 1I Only)..... 100-101  
 LED w/ Safety Module (Gen 1 Only)..... 102-103  
     Lighting Kit (Safety Flashing)..... 104-105  
 Extension Light Mount Kit..... 106-107  
 Auxiliary Work Lights..... 108-109

Quick Disconnect Assemblies

QD-800..... 110-111  
 QD-600..... 112-113

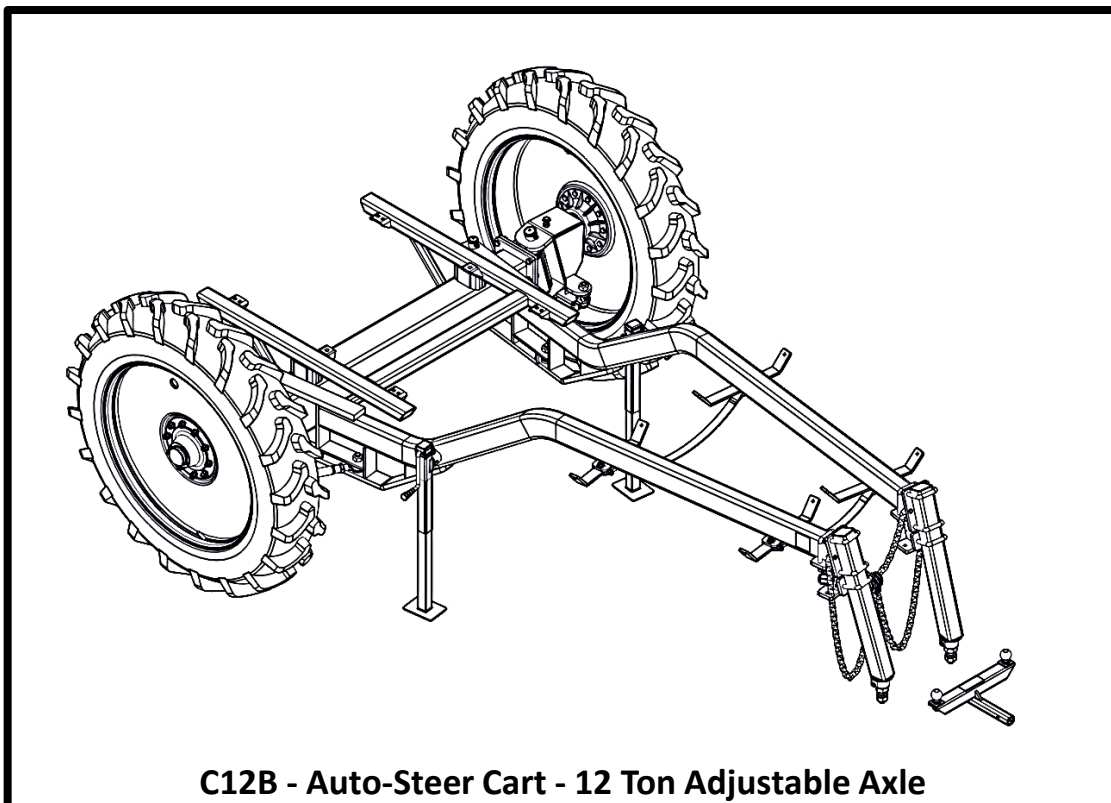
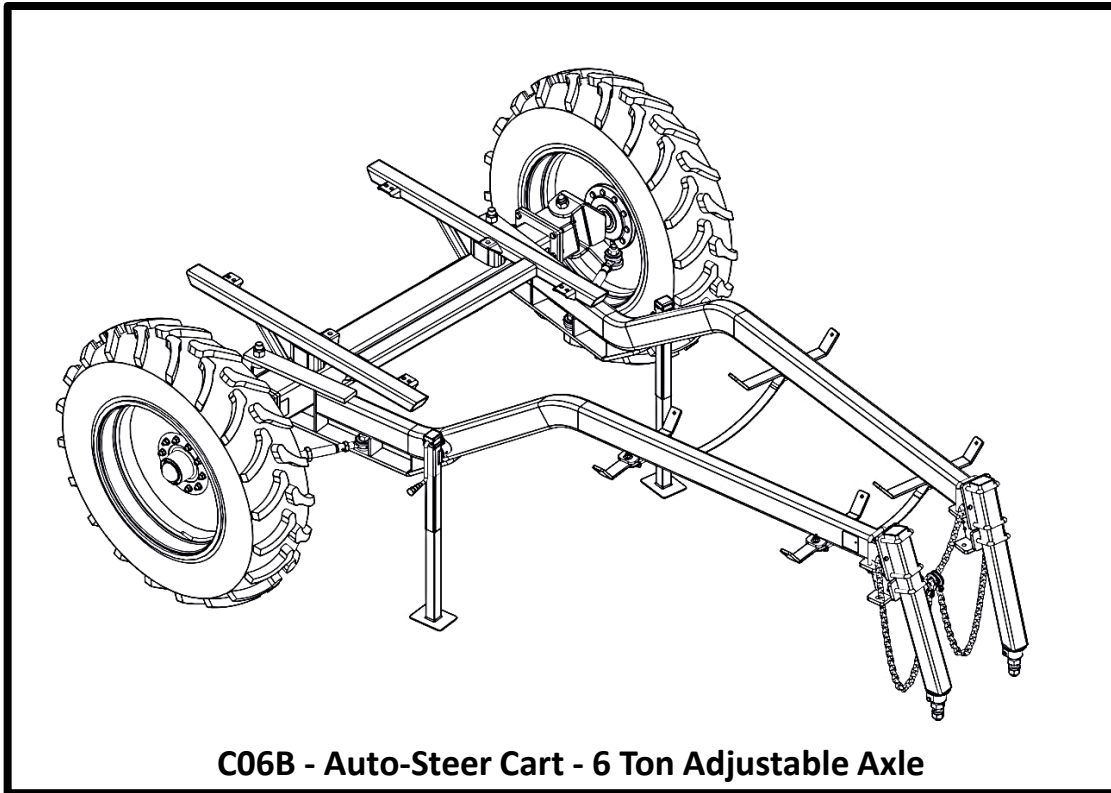


C06B



C12T

## LIST OF AVAILABLE CART CONFIGURATIONS



**LIST OF AVAILABLE CART CONFIGURATIONS****6 TON CARTS**

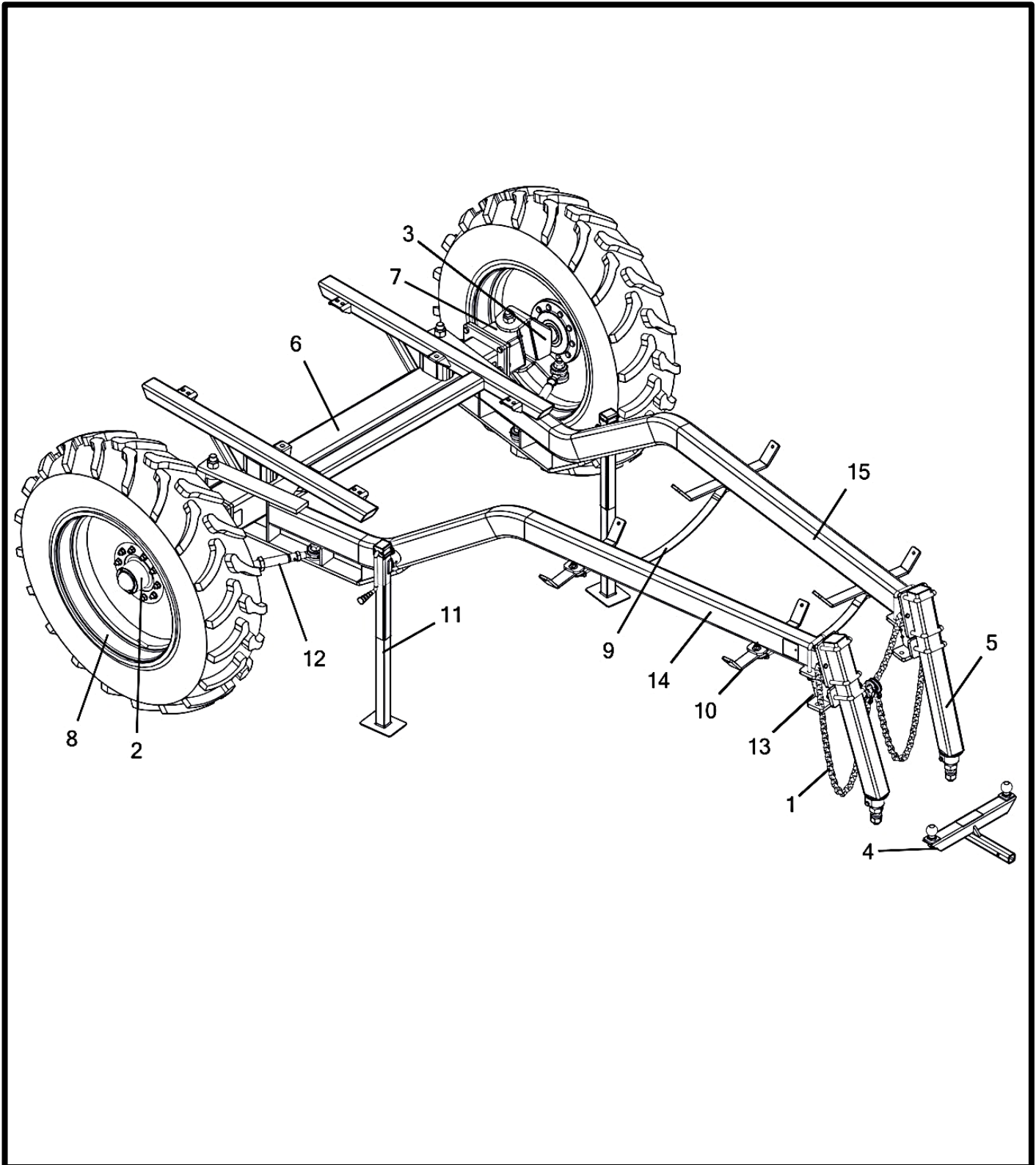
C06B	Auto-Steer Cart - 6 Ton Adjustable Axle
C06M	Auto-Steer Cart - 6 Ton Metric Adjustable Axle (110")

**6 TON CART SECTION STARTS ON PAGE 8****12 TON CARTS**

C12B	Auto-Steer Cart - 12 Ton Adjustable Axle
C12T	Auto-Steer Cart - 12 Ton Track

**12 TON CART SECTION STARTS ON PAGE 58**

## 6 TON CART OVERVIEW

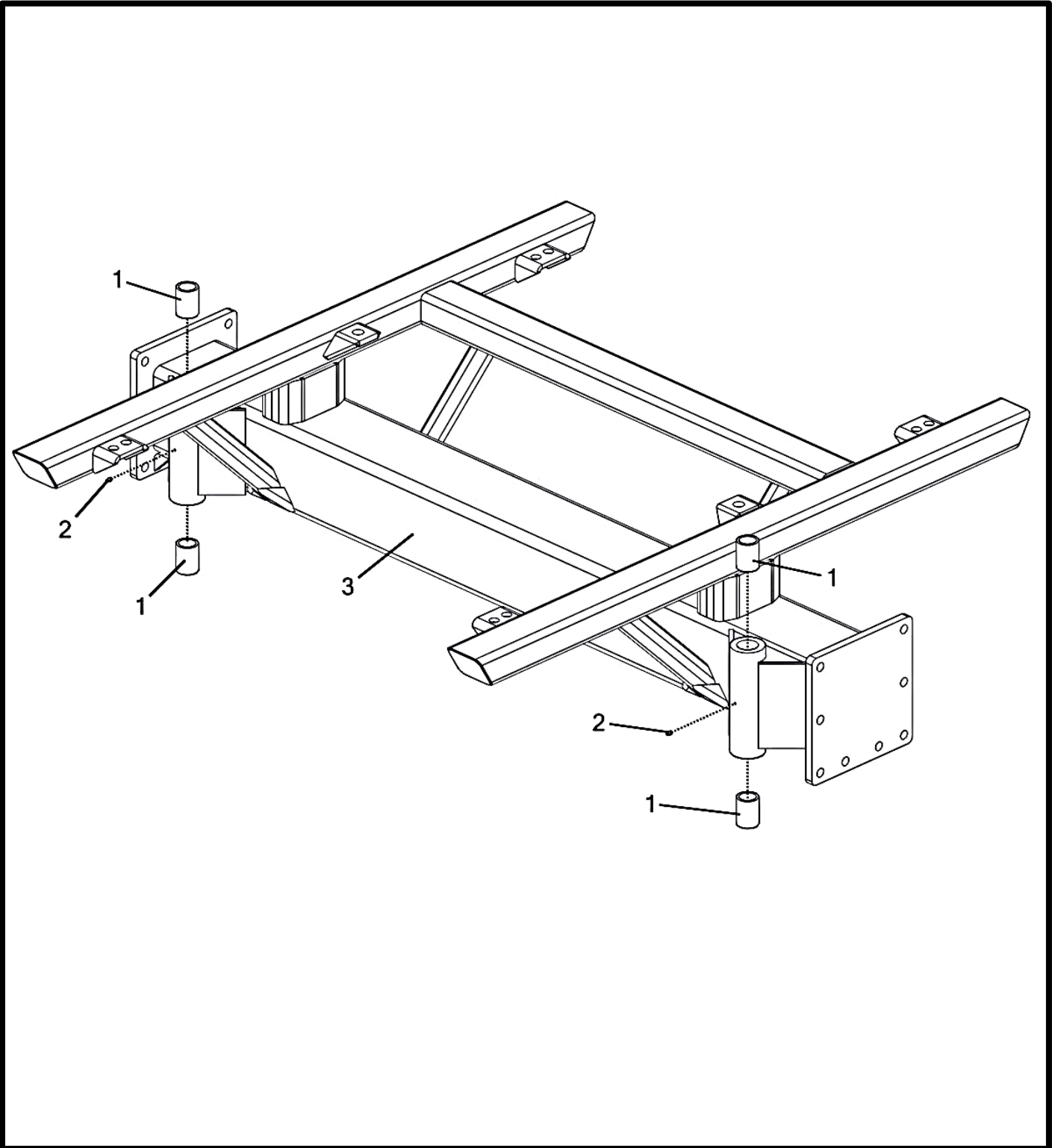




## 6 TON CART OVERVIEW

Item No.	Qty	Description
1	2	Safety Chain Assembly
2	1	Spindle Assembly – Right
3	1	Spindle Assembly – Left
4	1	Hitch - Transport Receiver
5	2	Hitch - Adj.
6	1	Assembly - Adjustable Center Frame
7	2	Assembly - King Pin End
8	2	Tire
9	1	Kit - Gen 2 Cart Attachment
10	4	Saddle - Hose
11	2	Jack - 8000 lb. Drop
12	2	Tie-Rod
13	2	Support - Universal Arm Gusset
14	1	Arm - Gooseneck RH
15	1	Arm - Gooseneck LH

### 6 TON CENTER FRAME

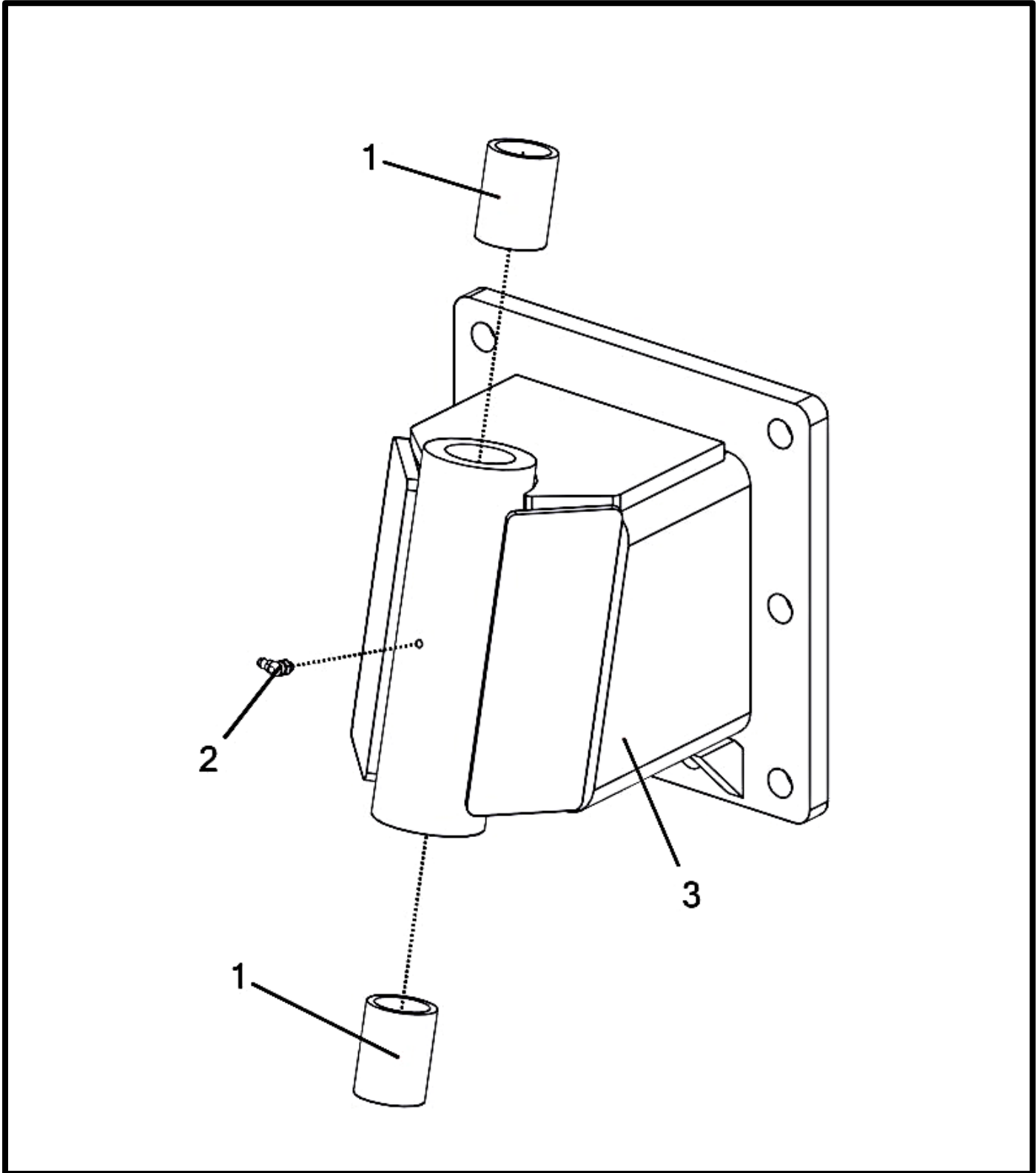


## 6 TON CENTER FRAME

Item No.	Qty	Part Number	Description
1	4	P000005	Bushing - 1-1/2" x 1.875" x 2.5" *
2	2	P000140	Grease Zerk - 1/4-28 Straight *
3	1	A000258__	Assembly - 6 Ton Adjustable Center Frame

(\* ) Included In A000258\_\_ - Assembly - 6 Ton Adjustable Center Frame

### 6 TON KING PIN END ASSEMBLY

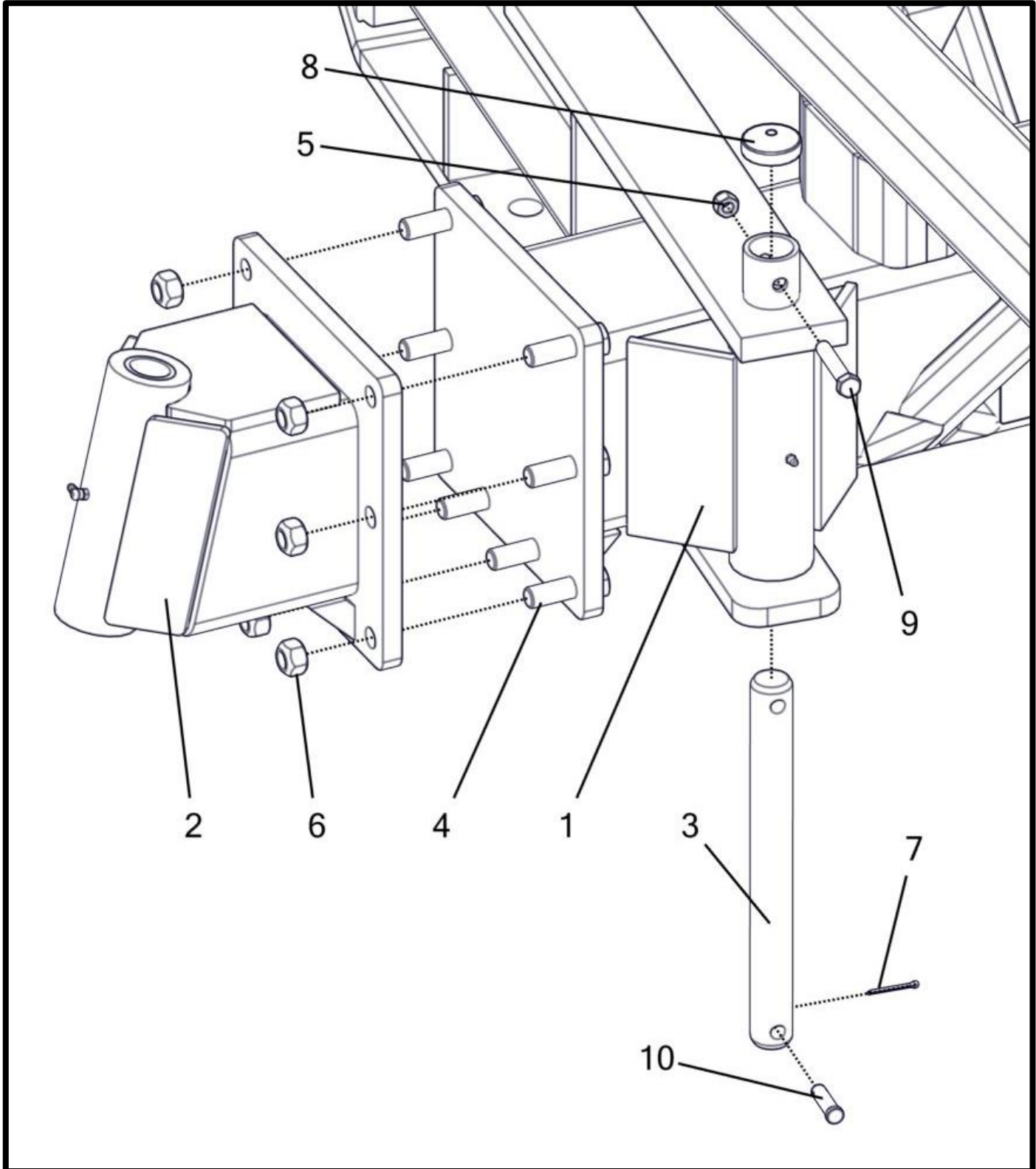


## 6 TON KING PIN END ASSEMBLY

Item No.	Qty	Part Number	Description
1	2	P000005	Bushing - 1-1/2" x 1.875" x 2.5" *
2	1	P000231	Grease Zerk - 1/4-28 90 *
3	1	A000260__	Assembly - 6 Ton King Pin End

(\* ) Included In A000260 - Assembly - 6 Ton King Pin End

### 6 TON ARM AND KINGPIN END ATTACHMENT



## 6 TON ARM AND KINGPIN END ATTACHMENT

Item No.	Qty	Part Number	Description
1	1	A000258__	Assembly - 6 Ton Adjustable Center Frame
2	2	A000260__	Assembly - 6 Ton King Pin End
3	2	<b>(N)</b> M003839	Shaft - 1-1/2" x 15" (6 Ton King Pin)
4	16	P000046	Bolt - 3/4-10 x 2.5 x 1.75 Hex (GR 5 M/S FA) *
5	2	<b>(N)</b> P000058	Nut - 1/2-13 Hex Nylon Lock (GR 5 M/S FA) †
6	16	P000061	Nut - 3/4-10 Hex Metal Lock (GR 5 M/S FA) *
7	2	<b>(N)</b> P002013	Cotter Pin - 1/8" x 1.5" (S/S) †
8	2	<b>(N)</b> P003239	Cap - 2.0625 I.D. x .5" Vinyl
9	2	<b>(N)</b> P003240	Bolt - 1/2-13 x 2.75 x 1.25 Hex (GR 8 M/S FA) †
10	2	<b>(N)</b> P003673	Pin - 1/2" x 1.750" x 1.500" Clevis (M/S FA) †

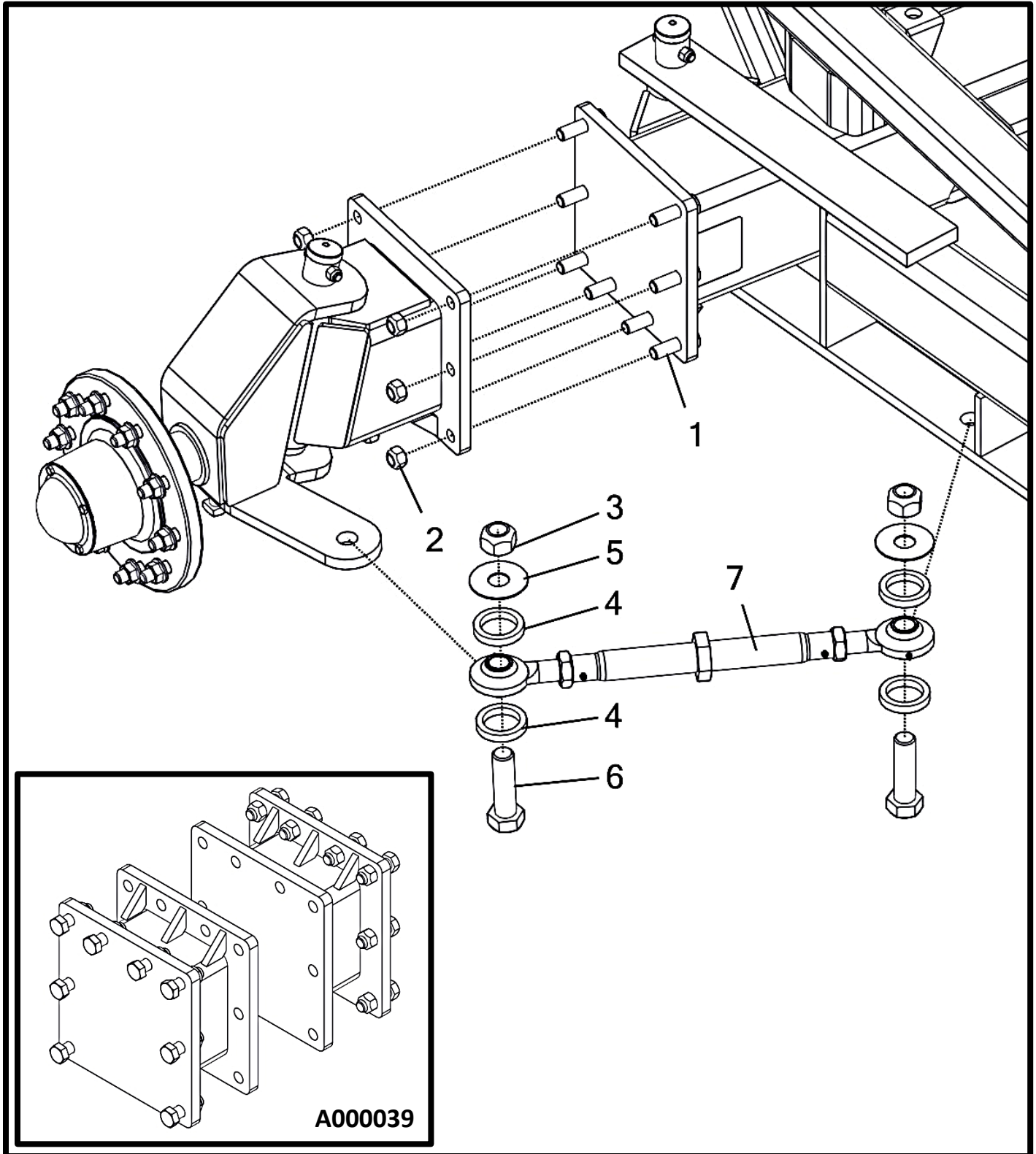
(\*) Included In K000017 - Kit - Adj. Axle (6 Ton)

(†) included in **(N)** K002589 – 6 Ton Cart Hardware (Yellow Zinc)

Montag upgraded the arm and spindle pivots to use a pin system, rather than a bolt, in 2022. Retrofittable update kits are available for older models:

### 6 ton - K002765 - Kit - 6 Ton Cart Arm King Pin Upgrade Kit

### TIE RODS - 6 TON





**TIE RODS - 6 TON**

Item No.	Qty	Part Number	Description
1	16	P000046	Bolt - 3/4-10 x 2.5 x 1.75 Hex (GR 5 M/S FA) †
2	16	P000061	Nut - 3/4-10 Hex Metal Lock (GR 5 M/S FA) * †
3	4	P000079	Nut - 1 1/4-7 Hex Metal Lock (GR 5 M/S FA) *
4	2	P000350__	Tie-Rod - 120"-132" Universal Adjustable (Heavy Duty) <b>(Shown)</b>
	2	P000351__	Tie-Rod - 133"-165" Universal Adjustable (Heavy Duty)
5	8	P000365	Gasket - Tie-Rod Bearing Grease (Foam)
6	4	P000366	Washer - 1-1/4 x 3-1/2 (304 S/S)
7	4	P000622	Bolt - 1 1/4-7 x 4.5 x 2.75 Hex (GR 5 M/S FA) *

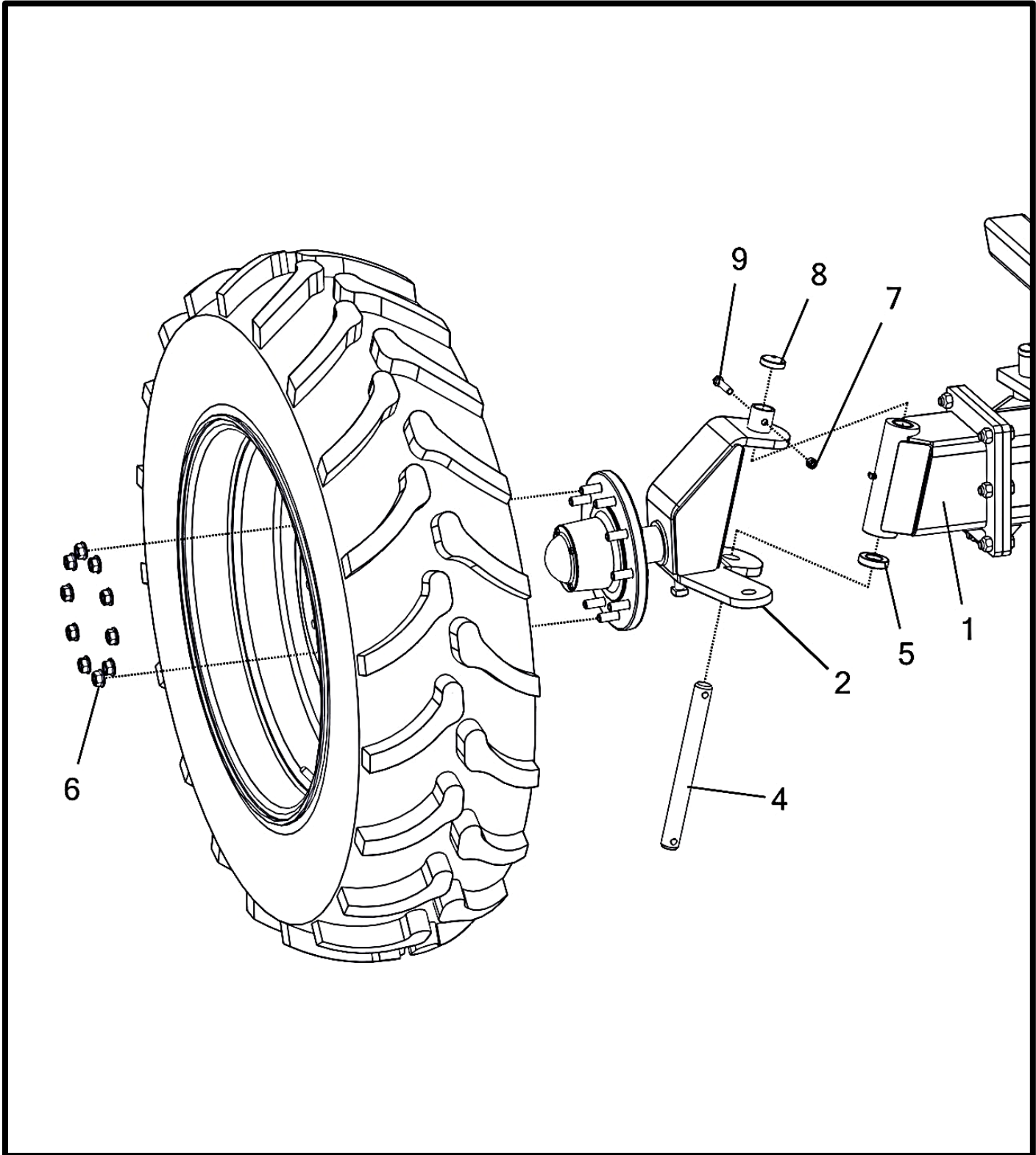
(\* ) Included In **(N)** K002589 - Kit - 6 Ton Cart Hardware

(†) Included In K000017 - Kit - Adj. Axle (6 Ton)

OFFSET	AXLE EXTENSION	TIE-ROD P/N
0"	NONE	P000350__
12"	A000039__‡	P000350__
24"	A000040__‡	P000351__
32"	A000041__‡	P000351__
40"	A000042__‡	P000351__

(‡) Includes K000017 Hardware Kit

### 6 TON AXLE AREA



**6 TON AXLE AREA**

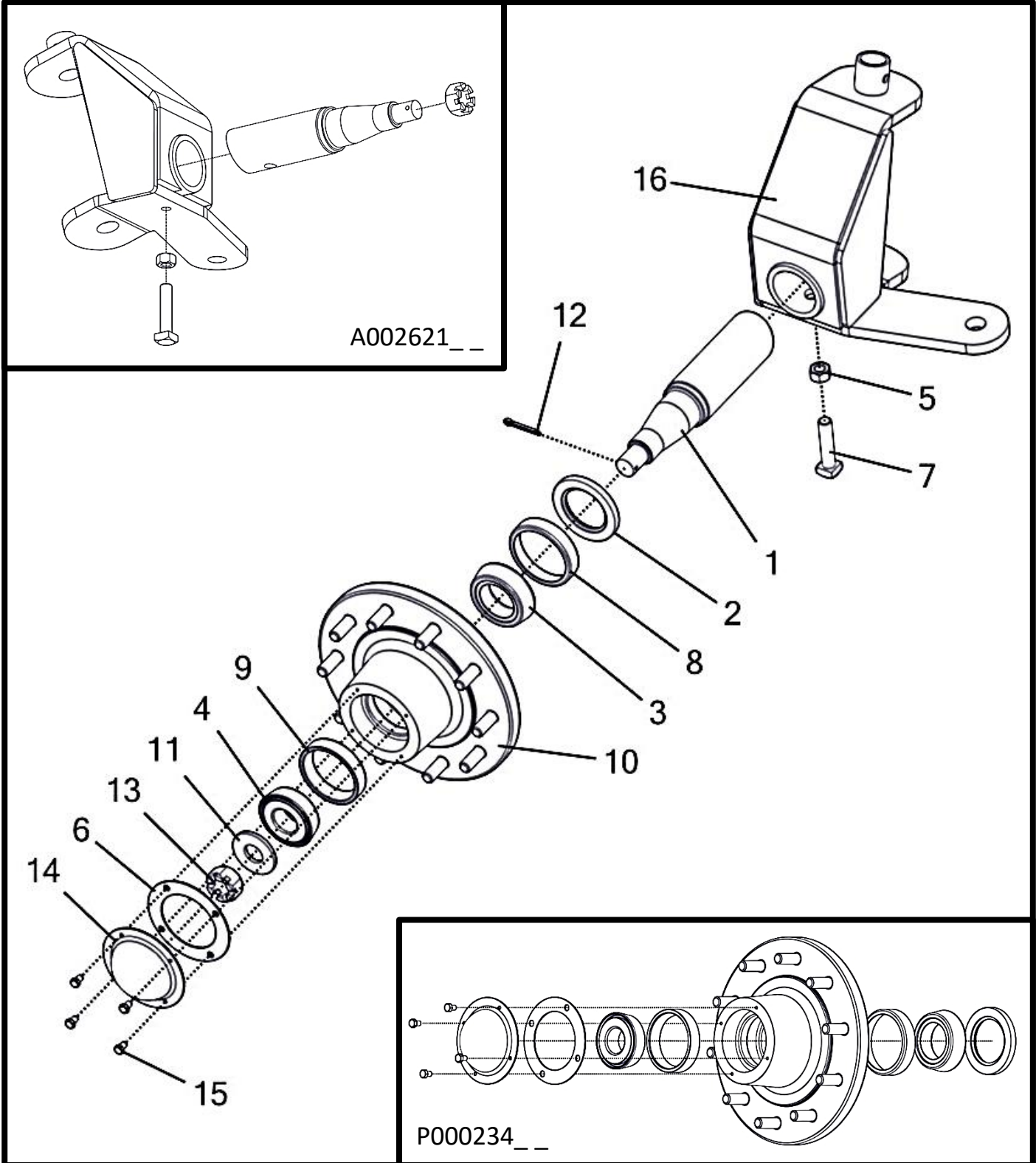
Item No.	Qty	Part Number	Description
1	2	A000260__	Assembly - 6 Ton King Pin End
2	1	<b>(N)</b> A002620__	Spindle Assembly - 6Ton Right
3	1	<b>(N)</b> A002622__	Spindle Assembly - 6Ton Left <b>(Not Shown)</b>
4	2	<b>(N)</b> M003839	Shaft - 1-1/2" x 15" (6 Ton King Pin)
5	2	P000015	Bearing - Thrust 1-1/2" (D17)
6	20	P000018	Nut - Lug(6,9,12 Ton)
7	2	<b>(N)</b> P000058	Nut - 1/2-13 Hex Nylon Lock (GR 5 M/S FA)
8	2	<b>(N)</b> P003239	Cap - 2.0625 I.D. x .5" Vinyl
9	2	<b>(N)</b> P003240	Bolt - 1/2-13 x 2.75 x 1.25 Hex (GR 8 M/S FA)

(\* Included In K002204 - Kit - Lug Nut (10 Pack)  
(Requires 1 Per Tire)

Montag upgraded the arm and spindle pivots to use a pin system, rather than a bolt, in 2022. Retrofittable update kits are available for older models:

**6 ton - K002765 - Kit - 6 Ton Cart Arm King Pin Upgrade Kit**

### 6 TON SPINDLE ASSEMBLIES



## 6 TON SPINDLE ASSEMBLIES

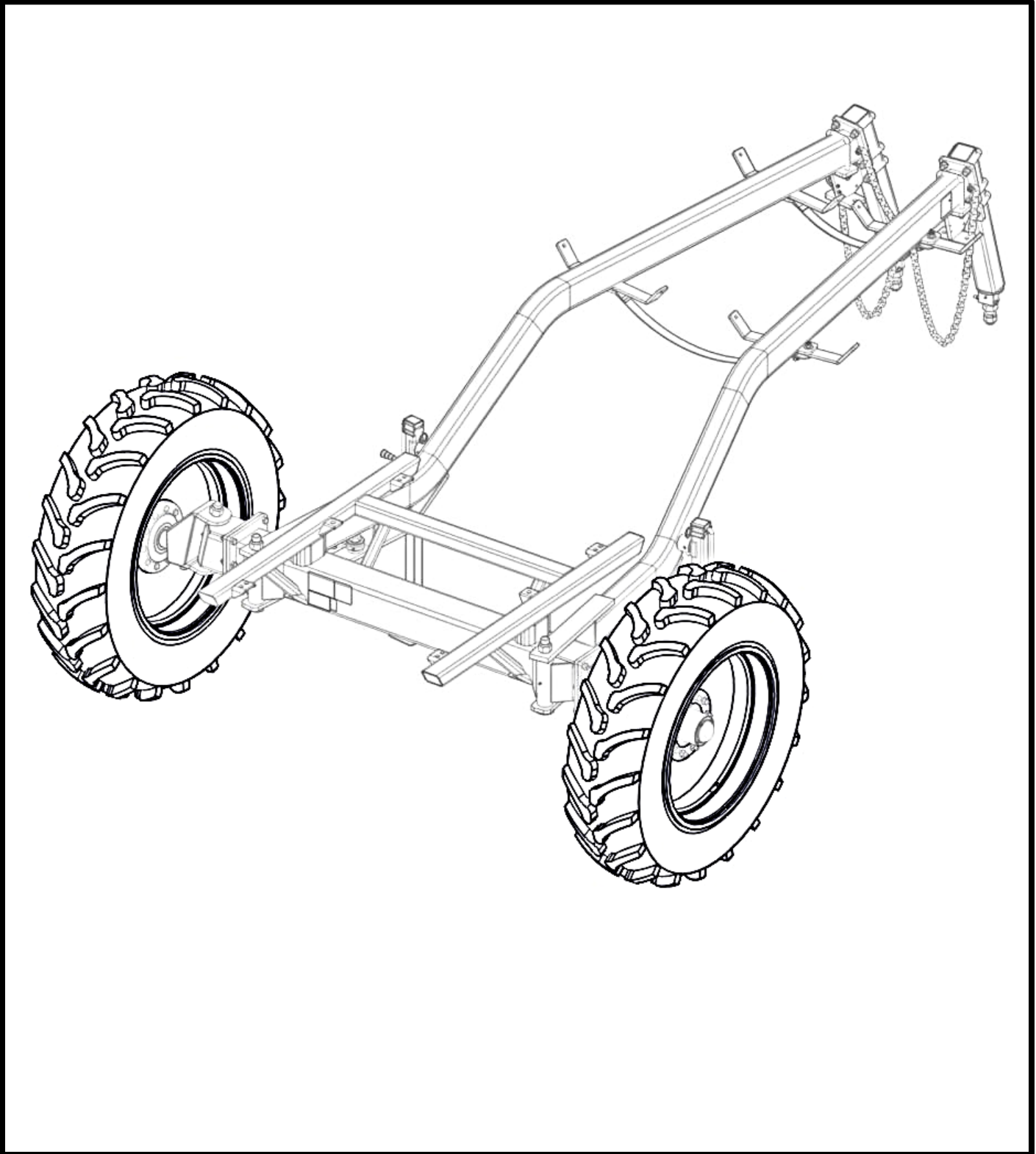
Item No.	Qty	Part Number	Description
		<b>(N) A002620__</b>	<b>Spindle Assembly - 6 Ton Right (Shown)</b>
		<b>(N) A002622__</b>	<b>Spindle Assembly - 6 Ton Left</b>
1	1	M000018	Shaft - Spindle - 6 Ton *
2	1	P000007	Seal - Hub (6 Ton) †
3	1	P000008	Bearing - Inner (6 Ton) †
4	1	P000009	Bearing - Outer (6 & 9 Ton) †
5	1	P000019	Nut - 3/4-10 Hex (GR 5 M/S FA) *
6	1	P000025	Gasket - Hub Cap (6 & 9 Ton) †
7	1	P000033	Set Screw - 3/4" x 3-1/2" *
8	1	P000166	Cup - Inner (6 Ton) †
9	1	P000170	Cup - Outer (6 & 9 Ton) †
10	1	P000249__	Hub - 6 Ton (Casting Only) †
11	1	P000252	Washer - Spindle (6 & 9 Ton)
12	1	P000254	Pin - Cotter (6 & 9 Ton Spindle)
13	1	P000256	Nut - 1 1/4-12 Slotted (GR 5 M/S FB) *
14	1	P000259__	Hub Cap - (6 & 9 Ton) †
15	4	P002588	Bolt - 5/16-18 x 0.5 x 0.5 Hex (GR 5 M/S FC) †
16	1	<b>(N) W002847__</b>	<b>Housing - Spindle (6 Ton Right) (Shown) *</b>
	1	<b>(N) W002848__</b>	<b>Housing - Spindle (6 Ton Left) *</b>

(\* Included In **(N) A002621\_\_** - Spindle Housing Assembly - 6 Ton (RH) **(Shown)**  
Or

(\* Included In **(N) A002623\_\_** - Spindle Housing Assembly - 6 Ton (LH)

(†) 6 Ton Hub Parts Are Included In  
P000234\_\_ - Hub - 6 Ton (N871)

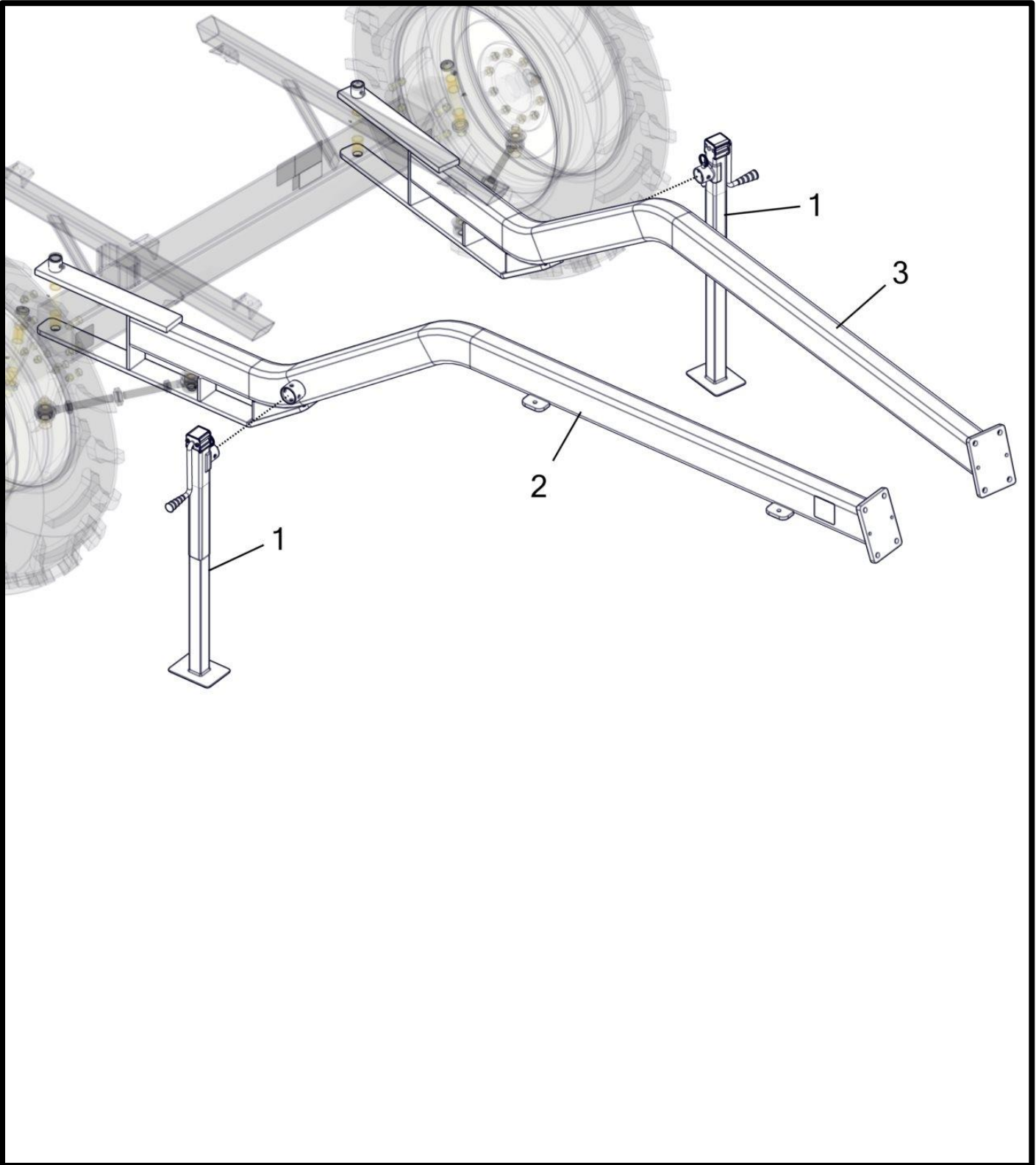
## 6 TON TIRE OPTIONS



## 6 TON TIRE OPTIONS

LEFT	RIGHT	Description
A000004	A000292	Tire Assembly- 380/90 R46" 10 Bolt Small
A000005	A000293	Tire Assembly - 420/85 R34" 10 Bolt Small
A000006	A000294	Tire Assembly- 380/85 R34" 10 Bolt Small
A000063	A000295	Tire Assembly - 480/80 R42" 10 Bolt Small 0" Offset
A000175	A000304	Tire Assembly - 320/90 R46" 10 Bolt Small (12.4x46)
A000193	A000305	Tire Assembly- 320/90 R42" 10 Bolt Small

## 6 TON ARMS AND JACKS

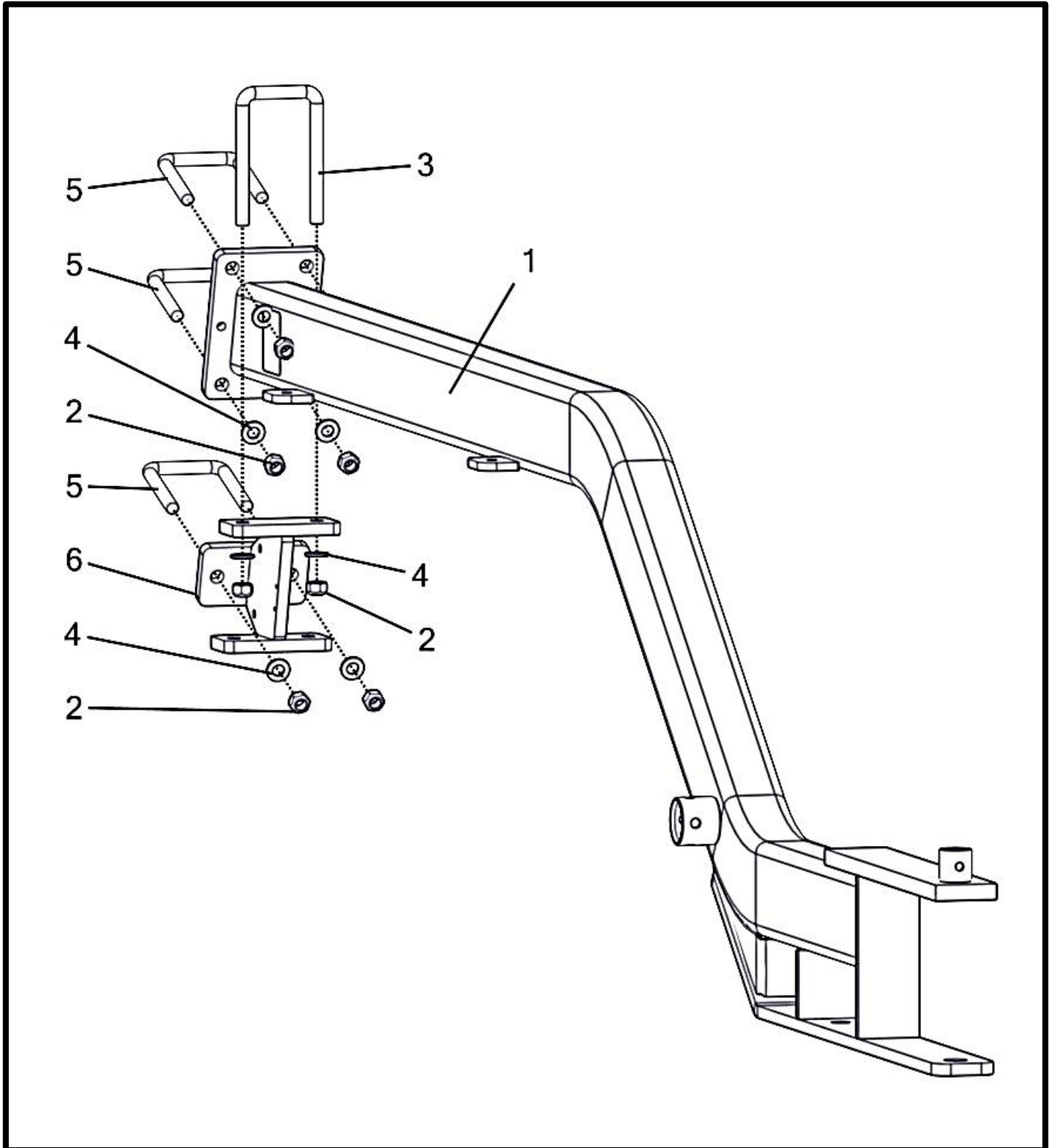




**6 TON ARMS AND JACKS**

Item No.	Qty	Part Number	Description
1	2	P000138	Jack - 8000 lb. Drop
2	1	<b>(N)</b> A002633__	Arm - Gooseneck RH 6 Ton w/Decal
3	1	<b>(N)</b> A002635__	Arm - Gooseneck LH 6 Ton w/Decal

## 6 TON REPLACEMENT ARM ASSEMBLIES

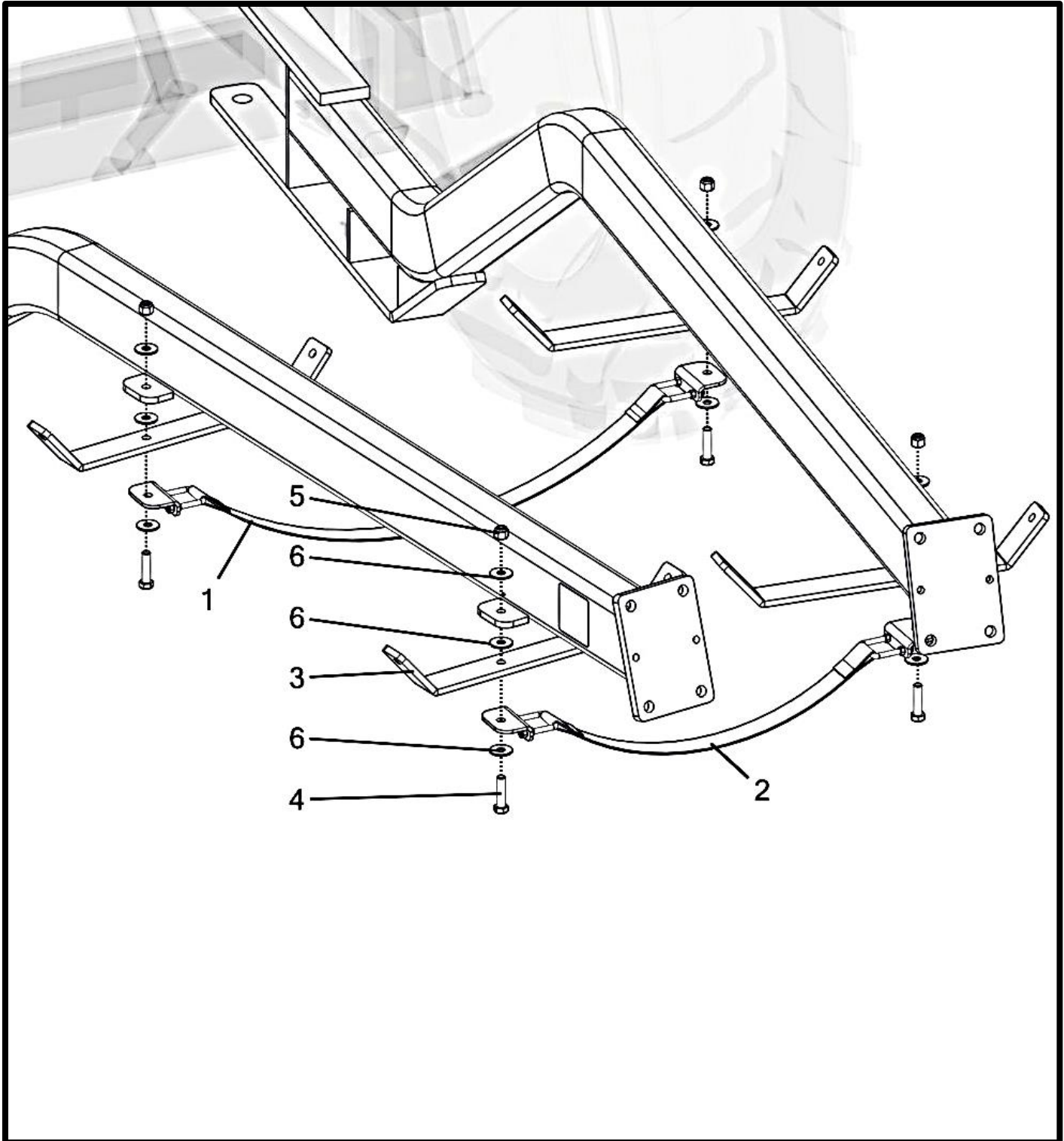


**6 TON REPLACEMENT ARM ASSEMBLIES**

Item No.	Qty	Part Number	Description
		<b>(N) A002634__</b>	<b>Arm - Gooseneck LH (6 Ton) (Shown)</b>
		<b>(N) A002632__</b>	<b>Arm - Gooseneck RH (6 Ton)</b>
1	1	<b>(N) A002635__</b>	<b>Arm - Gooseneck LH 6 Ton w/Decal (Shown)</b>
	1	<b>(N) A002633__</b>	<b>Arm - Gooseneck RH 6 Ton w/Decal</b>
2	8	P000061	Nut - 3/4-10 Hex Metal Lock (GR 5 M/S FA)
3	1	P000430	U-Bolt - 3/4" x 4-1/8" x 8
4	8	P000766	Washer - 3/4" SAE Flat (1.469" OD) (GR 5 M/S FA)
5	3	P002285	U-Bolt - 3/4" x 4-1/8" x 6"
6	1	W002396__	Support - Universal Arm Gusset

Hardware Shown Is Included With Assembly

## STRAPS AND SADDLES



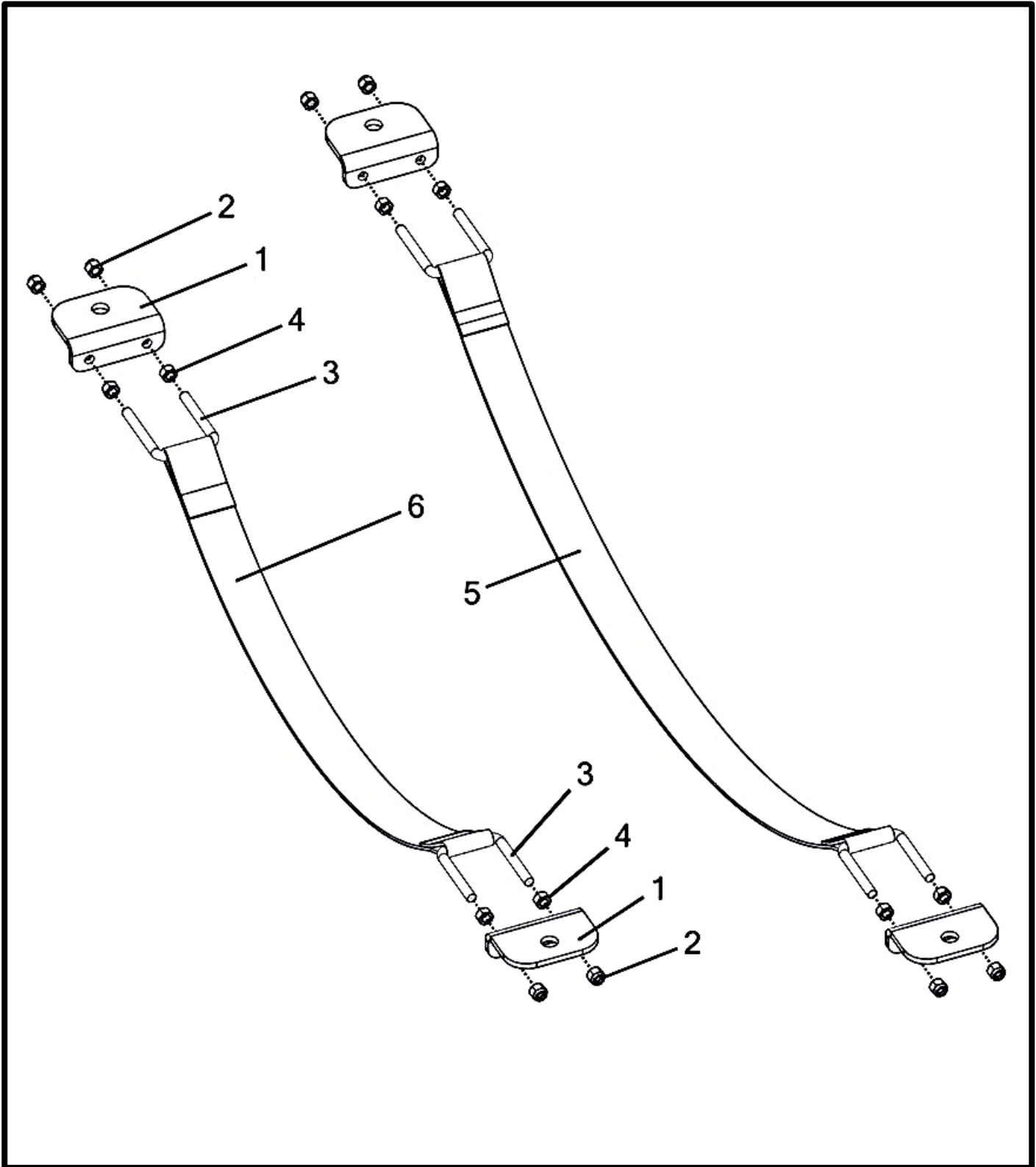
## STRAPS AND SADDLES

Item No.	Qty	Part Number	Description
1	1	A002168__	Saddle - Hose Guide Strap (Long) *
2	1	A002169__	Saddle - Hose Guide Strap (Short) *
3	4	M000009__	Saddle - Hose
4	4	P000044	Bolt - 5/8-11 x 2.5 x 1.5 Hex (GR 5 M/S FA) †
5	4	P000060	Nut - 5/8-11 Hex Nylon Lock (GR 5 M/S FA) †
6	12	P000068	Washer - 5/8" USS Flat (1.75" OD) (GR 5 M/S FA) †

(\* ) Included In K002016\_\_ - Kit - Cart Hose Guide Strap

(†) Included In K000011 - Kit - Saddle Hardware

### CART HOSE GUIDE STRAP KIT



**CART HOSE GUIDE STRAP KIT**

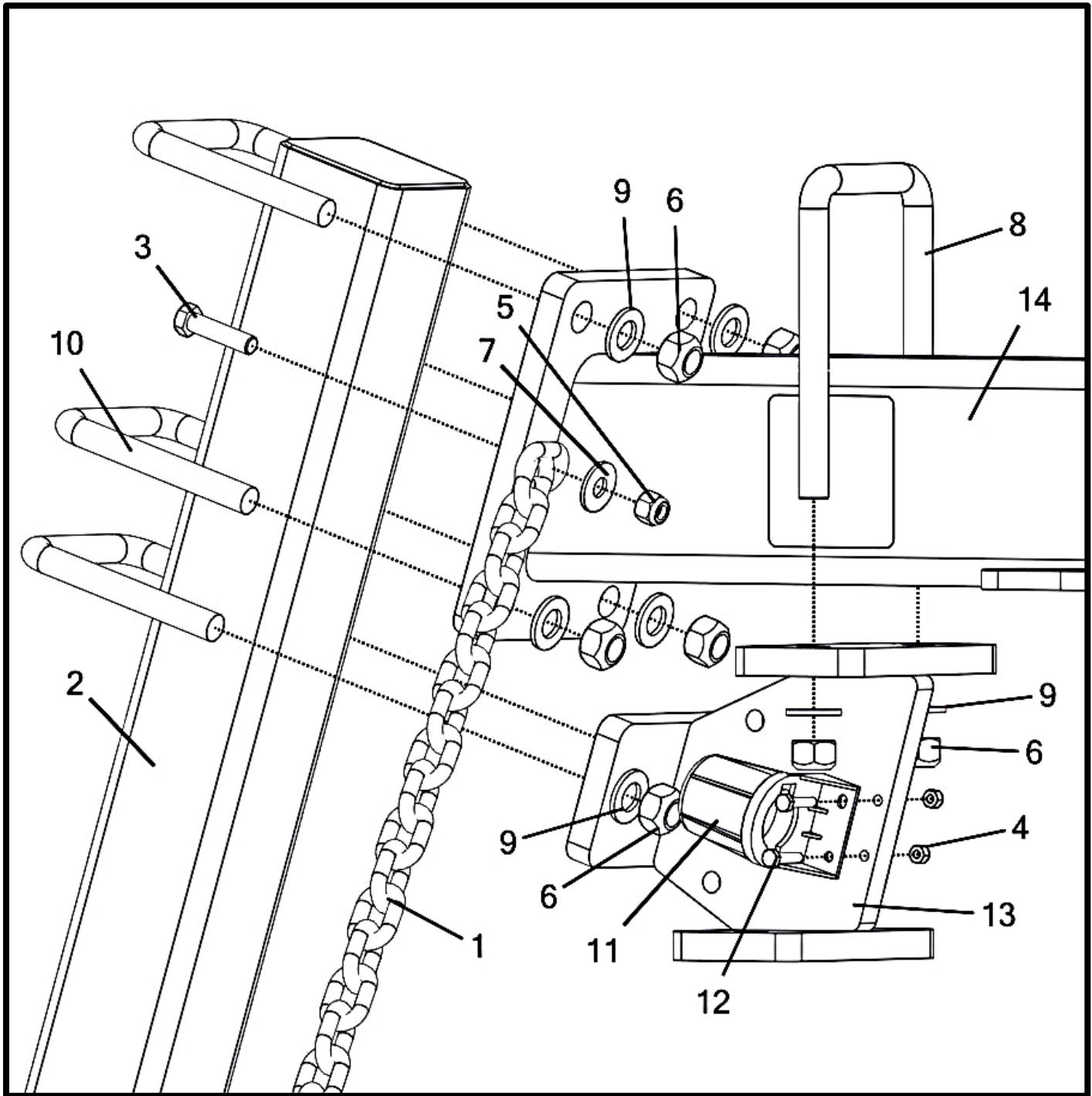
Item No.	Qty	Part Number	Description
		<b>K002016__</b>	<b>Kit - Cart Hose Guide Strap</b>
1	4	M002511__	Bracket - 2" U-Bolt strap * †
2	8	P000057	Nut - 3/8-16 Hex Nylon Lock (GR 5 M/S FA) * †
3	4	P000319	U-Bolt - 3/8" x 2-1/8" x 3" * †
4	8	P000759	Nut - 3/8-16 Hex (GR 5 M/S FA) * †
5	1	P002283	Strap - 2" X 43.25" Hose Guide *
6	1	P002284	Strap - 2" x 29.5" Hose Guide †

Strap Assemblies:

(\* ) A002168\_\_ - Saddle - Hose Guide Strap (Long)

(†) A002169\_\_ - Saddle - Hose Guide Strap (Short)

## 6 TON COUPLERS AND GUSSETS





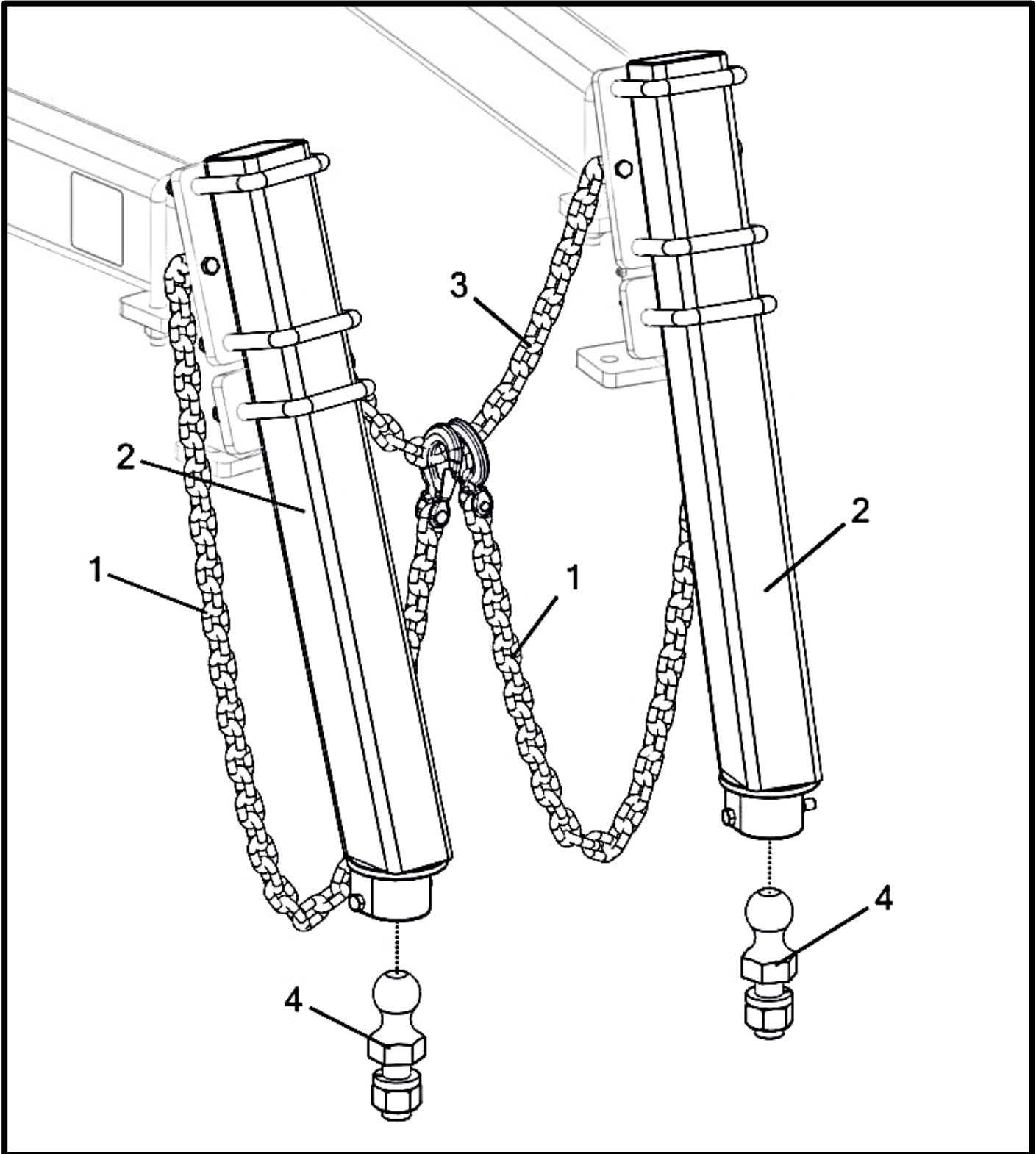
## 6 TON COUPLERS AND GUSSETS

Item No.	Qty	Part Number	Description
1	2	A000001	Safety Chain Assembly
2	2	A000034__	Hitch - Adj.
3	4	P000042	Bolt - 1/2-13 x 2 x 1.25 Hex (GR 5 M/S FA) †
4	2	P000056	Nut - 1/4-20 Hex Nylon Lock (GR 5 M/S FA) * †
5	4	P000058	Nut - 1/2-13 Hex Nylon Lock (GR 5 M/S FA) †
6	16	P000061	Nut - 3/4-10 Hex Metal Lock (GR 5 M/S FA) †
7	4	P000067	Washer - 1/2" USS Flat (1.375" OD) (GR 5 M/S FA) †
8	2	P000430	U-Bolt - 3/4" x 4-1/8" x 8
9	16	P000766	Washer - 3/4" SAE Flat (1.469" OD) (GR 5 M/S FA) †
10	6	P002285	U-Bolt - 3/4" x 4-1/8" x 6"
11	1	P002390	Holder - Light Harness Plug *
12	2	P002427	Bolt - 1/4-20 x 1.25 x 0.75 Hex (GR 5 M/S FA) * †
13	2	W002396__	Support - Universal Arm Gusset
14	1	<b>(N)</b> A002635__	Arm - Gooseneck LH 6 Ton w/Decal <b>(Shown)</b>
	1	<b>(N)</b> A002633__	Arm - Gooseneck RH 6 Ton w/Decal

Parts With Asterisk (\*) Used With **(N)** A002450\_\_ Only

(†) Included In **(N)** K002589 - Kit - 6 Ton Cart Hardware

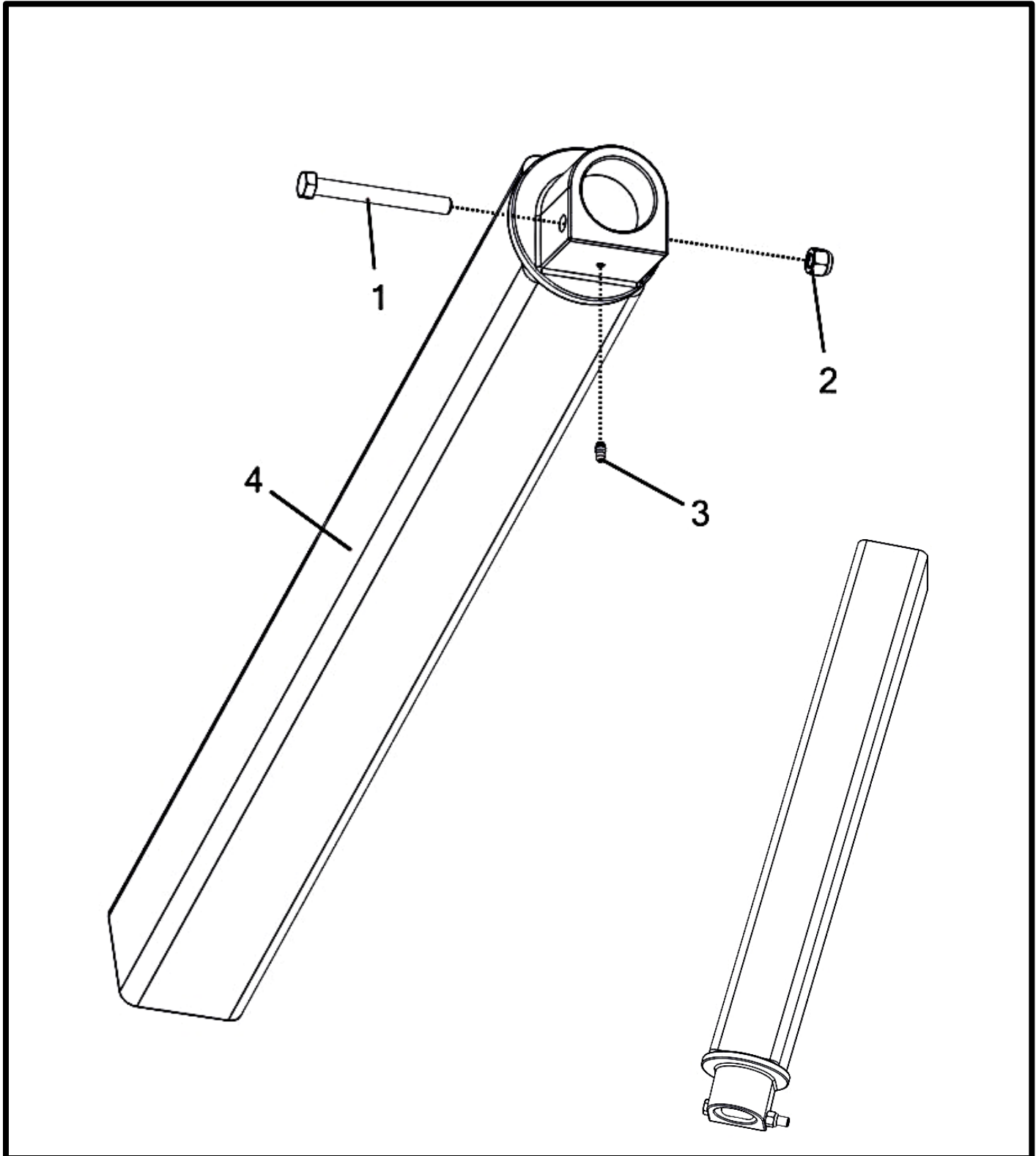
### SAFETY CHAINS AND BALL HITCH COUPLERS



## SAFETY CHAINS AND BALL HITCH COUPLERS

Item No.	Qty	Part Number	Description
1	2	A000001	Safety Chain Assembly
2	2	A000034__	Hitch - Adj. Ball
3	1	M000002	Chain - Short (Arm Connector)
4	2	P000128	Ball (30,000 lbs.)

## ADJUSTABLE BALL HITCH COUPLER ASSEMBLY

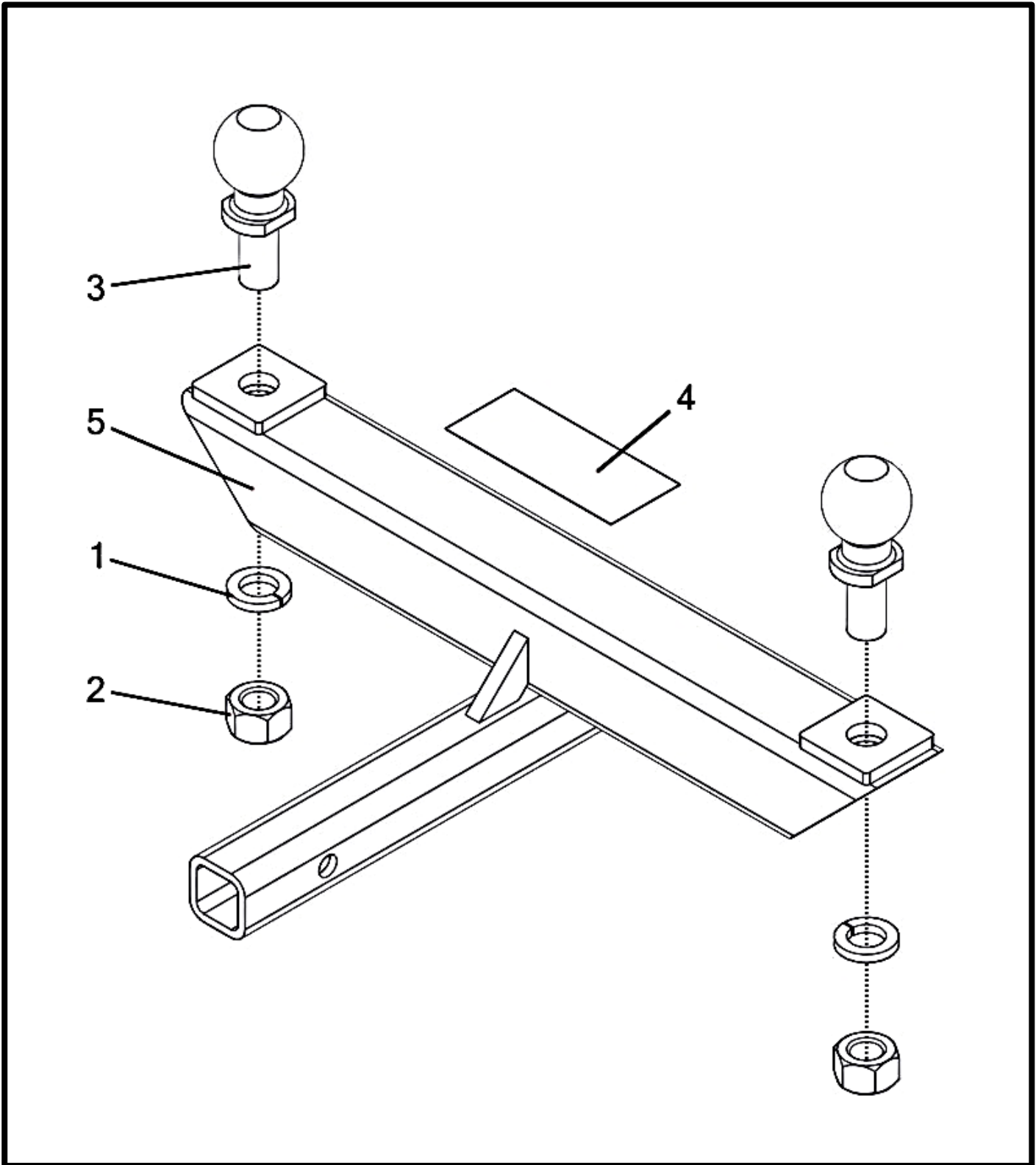


**ADJUSTABLE BALL HITCH COUPLER ASSEMBLY**

Item No.	Qty	Part Number	Description
1	1	P000043	Bolt - 1/2-13 x 4.5 x 1.25 Hex (GR 5 M/S FA) *
2	1	P000058	Nut - 1/2-13 Hex Nylon Lock (GR 5 M/S FA) *
3	1	P002093	Grease Fitting - 1/4 Straight Drive-In *
4	1	<b>A000034__</b>	<b>Hitch - Adj. Ball</b>

(\* ) Included In A000034\_\_ - Hitch - Adj. Ball

### TRANSPORT RECEIVER - (BALL) ASSEMBLY

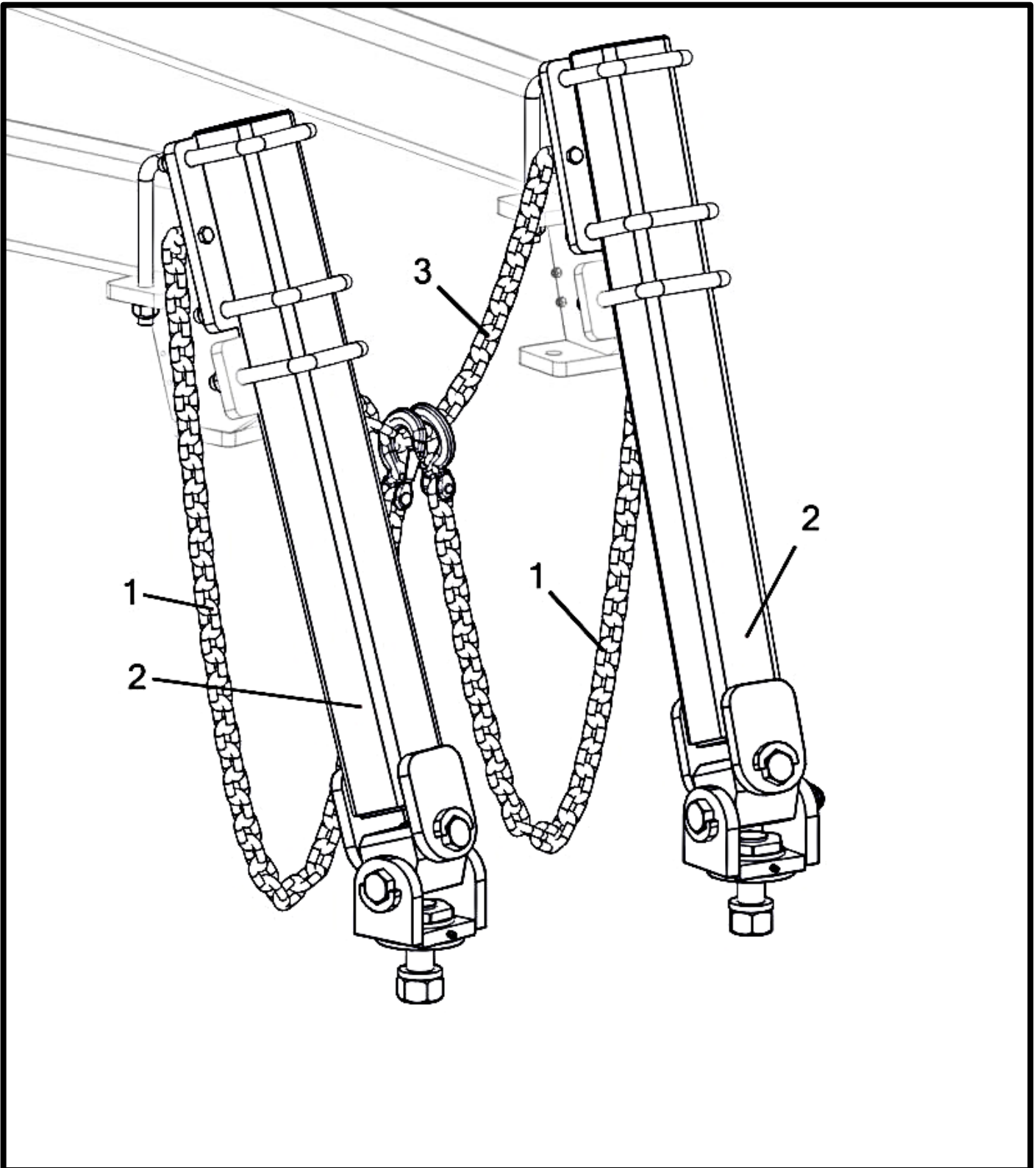


**TRANSPORT RECEIVER - (BALL) ASSEMBLY**

Item No.	Qty	Part Number	Description
		<b>A000017__</b>	<b>Transport Receiver - Ball</b>
1	2	P000071	Washer - 1" Split Lock (1.656" OD) (GR 5 M/S FA) *
2	2	P000076	Nut - 1-8 Hex (GR 5 M/S FA) *
3	2	P000127	Ball (6,000 lbs.)
4	1	P000604	Decal - Transport Hitch (Caution)
5	1	W000077__	Hitch - Transport Receiver

(\*) Included In P000127 - Ball (6,000 lbs.)

## SAFETY CHAINS AND KNUCKLE HITCH COUPLERS





**SAFETY CHAINS AND KNUCKLE HITCH COUPLERS**

Item No.	Qty	Part Number	Description
1	2	A000001	Safety Chain Assembly
2	2	A000020__	Knuckle Hitch - Knuckle Assembly
3	1	M000002	Chain - Short (Arm Connector)



## KNUCKLE HITCH COUPLER ASSEMBLY, REPLACEMENT PARTS

Item No.	Qty	Part Number	Description
		<b>A000020__</b>	<b>Knuckle Hitch - Knuckle Assembly</b>
1	1	M000815__	Washer - Knuckle Assembly Top
2	1	M000816__	Washer - 1.395" x 4.5" x .25"
3	1	M003316__	Bolt - Knuckle Pivot
4	1	M004660	Housing - Knuckle Hitch
5	2	P000062	Nut - 1-8 Hex Nylon Lock (GR 5 M/S FA)
6	4	P000370	Bushing - 1" x 1.125" x 1.5" MU Steel
7	2	P000371	Bolt - 1-8 x 7 x 2.5 Hex (GR 5 M/S FA)
8	1	P000372	Nut - 1 3/8-12 Hex (GR 5 M/S FA)
9	1	P000373	Washer - 1 3/8" Split Lock (2.219" OD) (GR 5 M/S FC)
10	4	P000469	Washer - 1" Thrust
11	1	P002093	Grease Fitting - 1/4 Straight Drive-In
12	1	W000079__	Housing - Knuckle Pivot
13	1	W000103__	Adj. Knuckle Tube Weldment

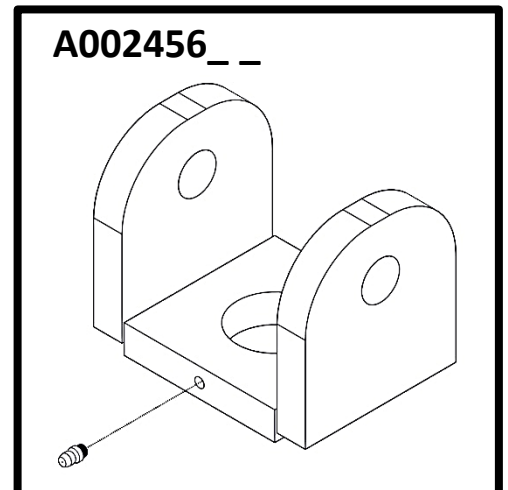
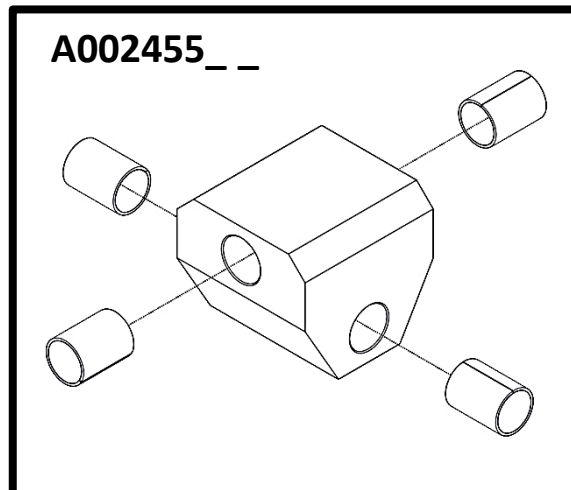
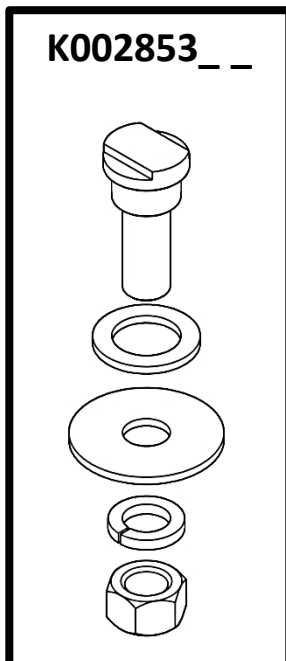
**REPLACEMENT PARTS:**

K002467\_\_ - Kit - Replacement Knuckle (Less 4" x 4" Tube) – **ALL ITEMS EXCEPT 13**

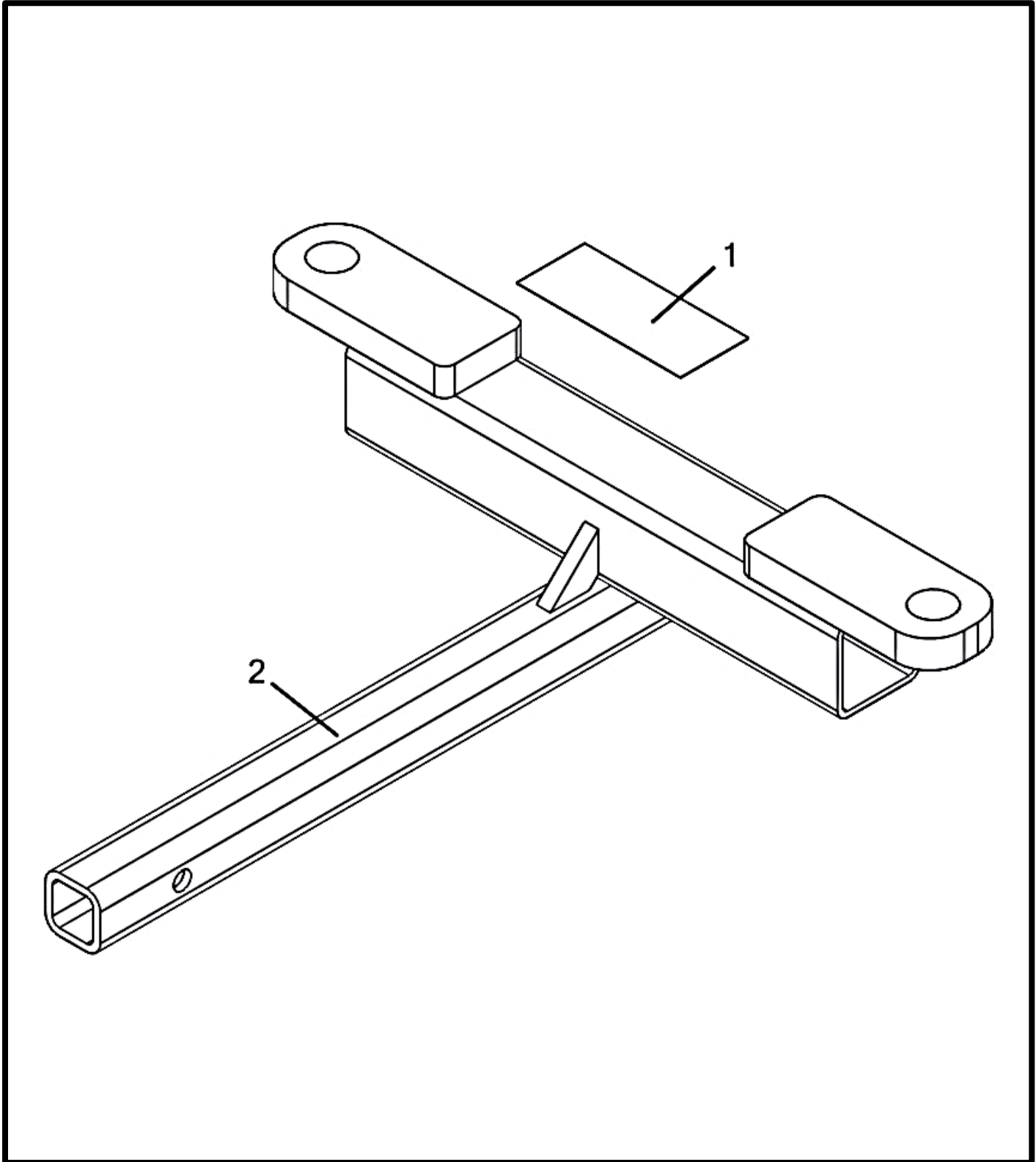
K002853\_\_ - Kit - Replacement Knuckle Pivot Bolt & Hardware – **ITEMS 1,2,3,8,9**

A002455\_\_ - Housing - Knuckle Hitch w/Bushings – **ITEMS 4,6**

A002456\_\_ - Housing - Knuckle Pivot W/Zerk – **ITEMS 11,12**



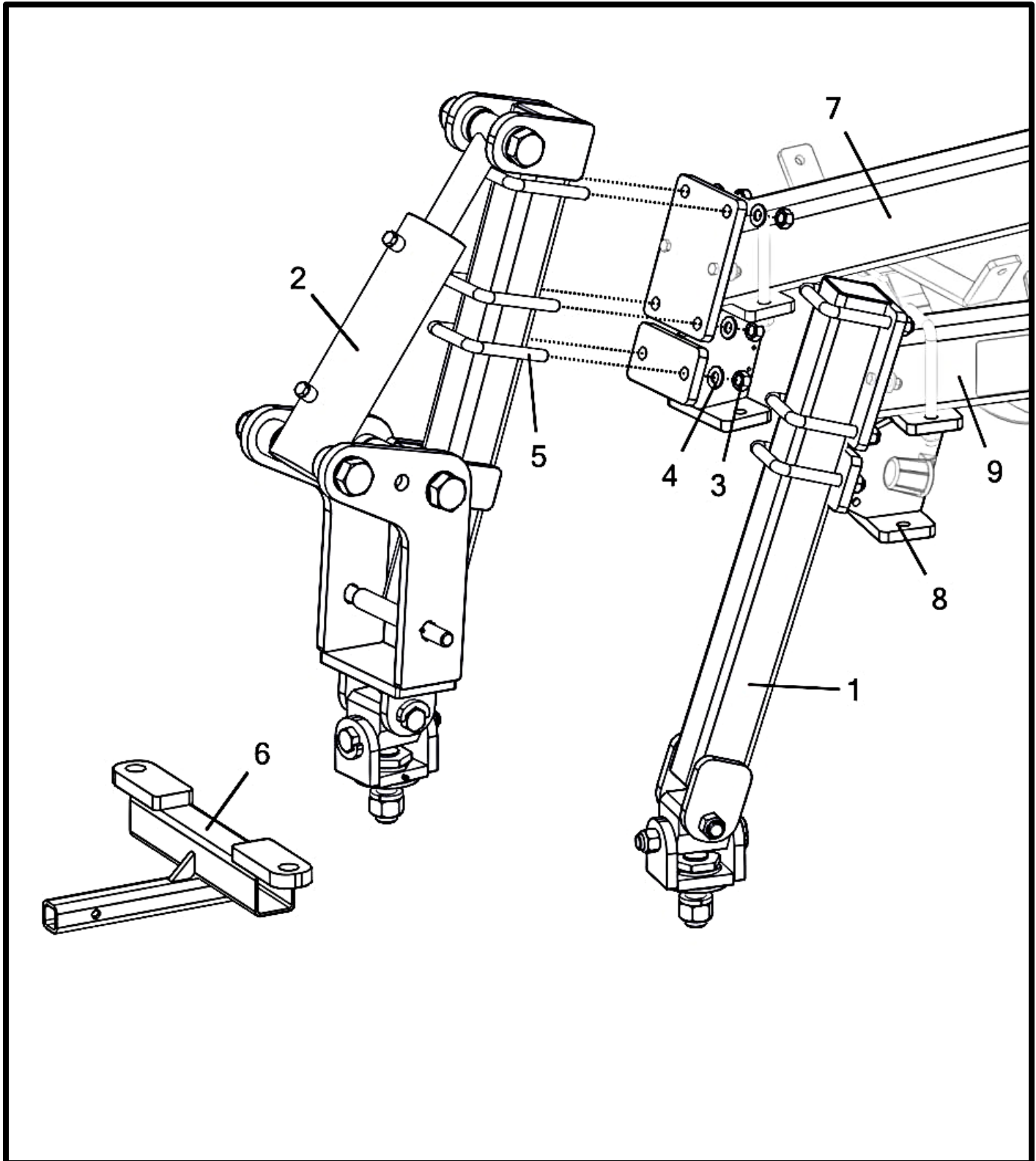
## KNUCKLE TRANSPORT RECEIVER



## **KNUCKLE TRANSPORT RECEIVER**

Item No.	Qty	Part Number	Description
		<b>A002438_ _</b>	<b>Knuckle Transport Receiver</b>
1	1	P000604	Decal - Transport Hitch (Caution)
2	1	W002566_ _	Hitch - Knuckle Transport Receiver

### DRIFT ASSIST



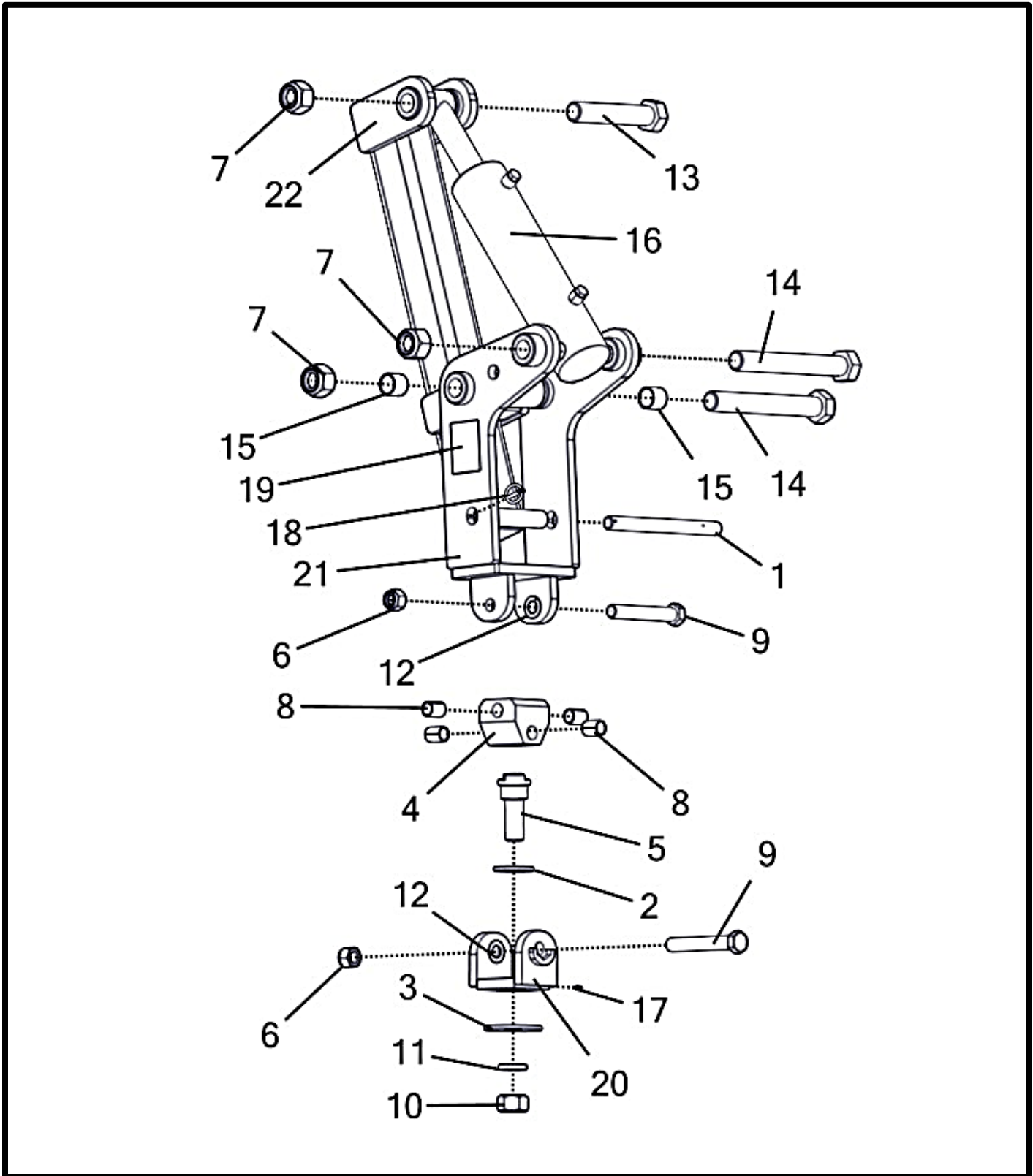
## DRIFT ASSIST

Item No.	Qty	Part Number	Description
1	1	A000020__	Knuckle Hitch - Knuckle Assembly
2	1	A000282__	Assembly - Drift Assist Steering Arm (No Sensor)
3	12	P000061	Nut - 3/4-10 Hex Metal Lock (GR 5 M/S FA) *
4	12	P000766	Washer - 3/4" SAE Flat (1.469" OD) (GR 5 M/S FA) *
5	6	P002285	U-Bolt - 3/4" x 4-1/8" x 6"
6	1	A002438__	Hitch - Knuckle Transport Receiver
7	1	----	Arm - Gooseneck RH
8	2	W002396__	Support - Universal Arm Gusset
9	1	----	Arm - Gooseneck LH

A000282\_\_ Is Typically Installed On The Rh Cart Arm.  
It Must Be Installed On The LH Cart Arm When Used On A 1795 Planter.

(\*) Included In K002021 - Kit - 9 Ton Cart Hardware

### DRIFT ASSIST STEERING ARM (NO SENSOR)



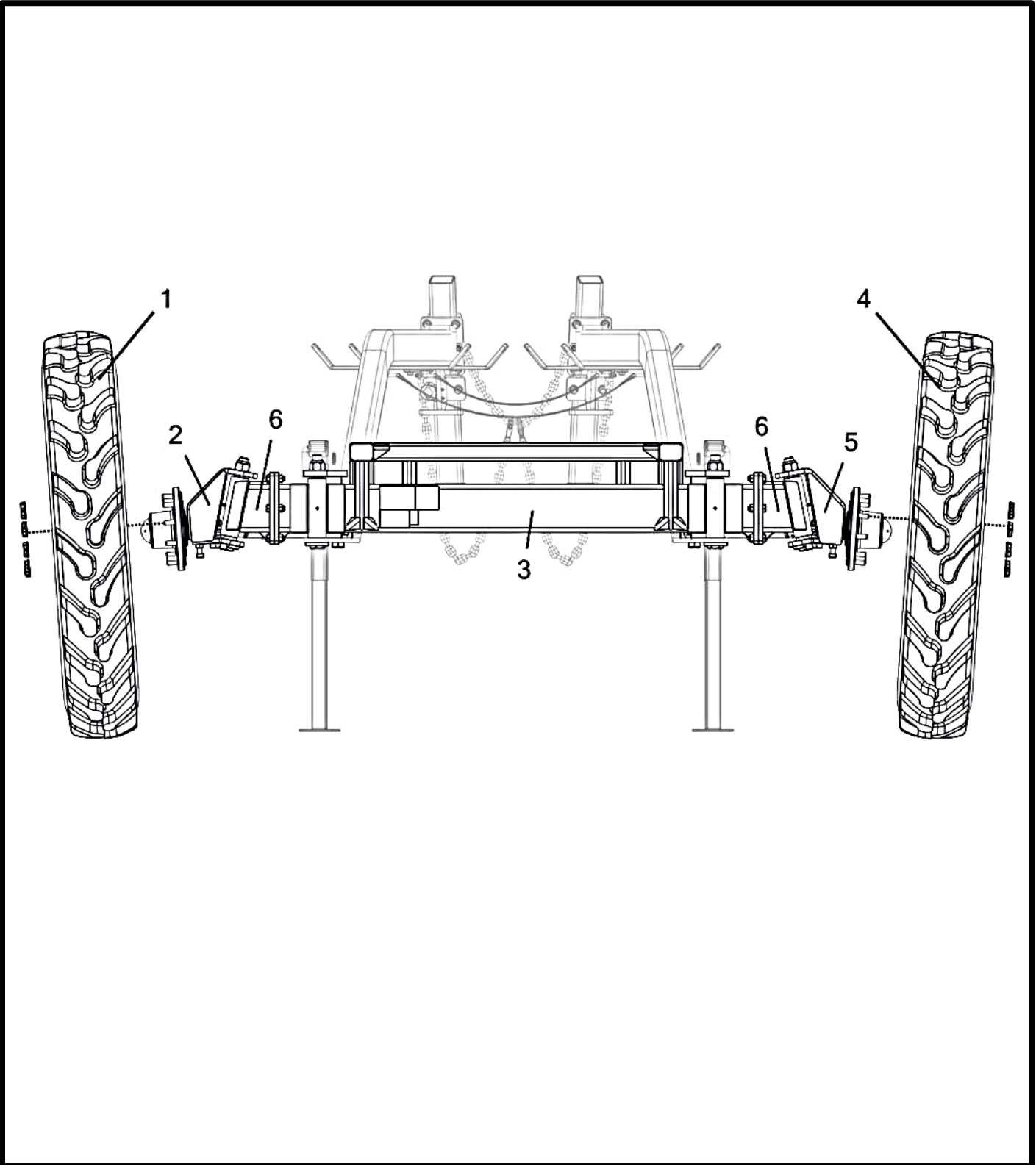


## DRIFT ASSIST STEERING ARM (NO SENSOR)

ITEM NO.	Qty	Part Number	Description
		<b>A000282__</b>	<b>Assembly - Drift Assist Steering Arm (No Sensor)</b>
1	1	A002126	Pin - Drift Assist Transport Lock
2	1	M000815__	Washer - Knuckle Assembly Top
3	1	M000816__	Washer - 1.395" x 4.5" x .25"
4	1	M001056	Housing – Knuckle Hitch
5	1	M003316__	Bolt - Knuckle Pivot
6	2	P000062	Nut - 1-8 Hex Nylon Lock (GR 5 M/S FA)
7	3	P000063	Nut - 1 1/2-6 Hex Nylon Lock (GR 5 M/S FA)
8	4	P000370	Bushing - 1" x 1.125" x 1.5" MU Steel
9	2	P000371	Bolt - 1-8 x 7 x 2.5 Hex (GR 5 M/S FA)
10	1	P000372	Nut - 1 3/8-6 Hex (GR 5 M/S FA)
11	1	P000373	Washer - 1 3/8" Split Lock (2.219" OD) (GR 5 M/S FC)
12	4	P000469	Washer - 1" Thrust
13	1	P000500	Bolt - 1 1/2-6 x 8.5 x 3.5 Hex (GR 5 M/S FA)
14	2	P000501	Bolt - 1 1/2-6 x 12 x 3.5 Hex (GR 5 M/S FA)
15	2	P000778	Bushing - 1.5" x 1.66" x 1.5" Plastic
16	1	P000783	Cylinder - 4"B x 8"S x 2"R (No Sensor)
17	1	P002093	Grease Fitting - 1/4 Straight Drive-In
18	1	P002192	Pin - 3/16" Lynch
19	1	P002193	Decal - Transport Lock Pin
20	1	W000079__	Housing - Knuckle Pivot
21	1	W000340__	Arm - Drift Assist Main
22	1	W000341__	Tube - Drift Assist Main Attachment

**SEE PAGES 42-43 FOR REPLACEMENT PARTS**

C06M - 6 TON METRIC CART

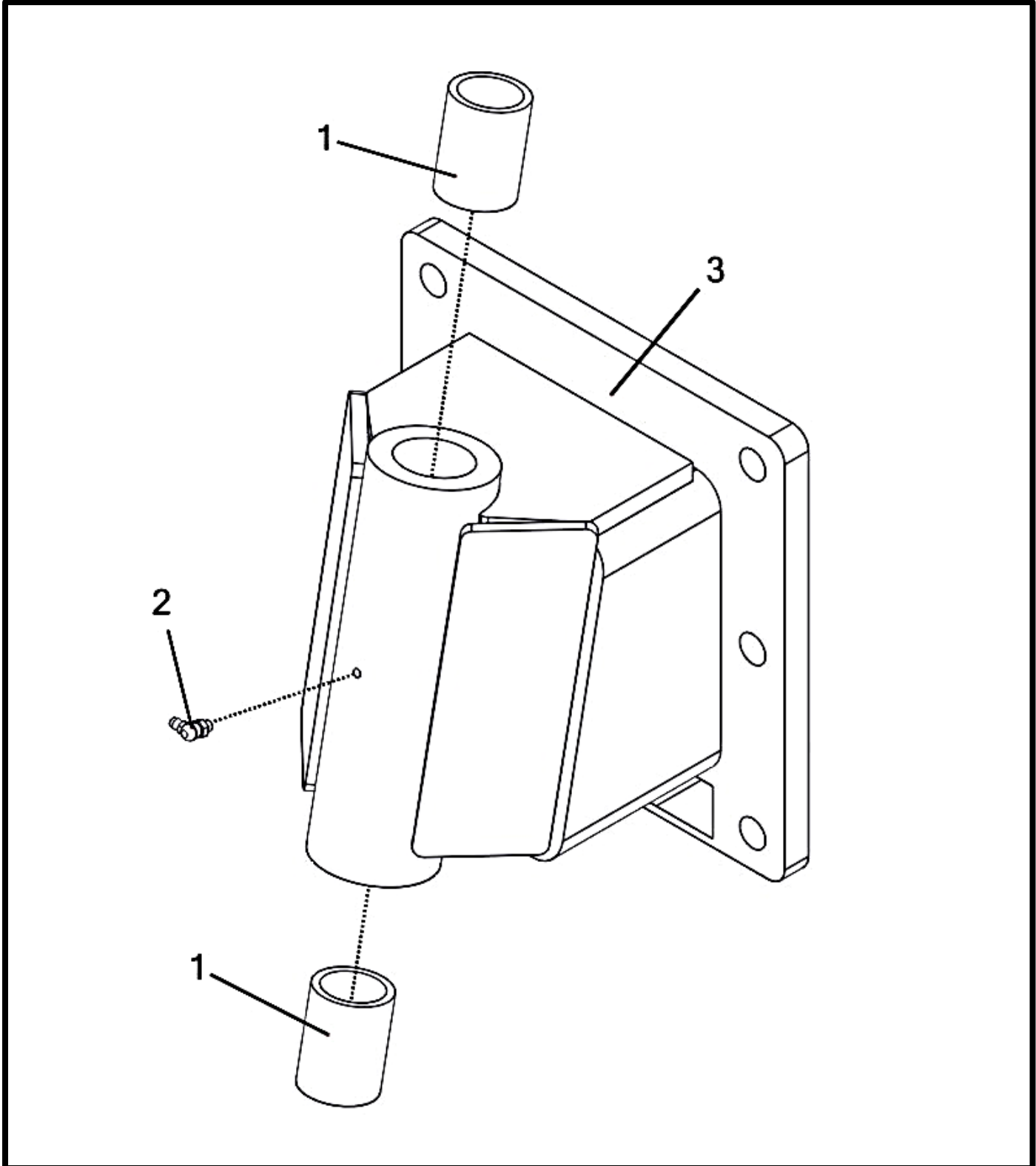


**C06M - 6 TON METRIC CART**

Item No.	Qty	Part Number	Description
1	1	A000175	Tire Assembly - 320/90 R46" 10 Bolt Small (12.4x46) 148A8/B (Left)
2	1	A000258__	Assembly - 6 Ton Adjustable Center Frame
3	1	A000304	Tire Assembly - 320/90 R46" 10 Bolt Small (12.4x46) 148A8/B (RIGHT)
4	2	A002094__	Assembly - 6 Ton King Pin End (Metric) *
5	1	<b>(N)</b> A002628__	Spindle Assembly - 6 Ton Left Metric *
6	1	<b>(N)</b> A002630__	Spindle Assembly - 6 Ton Right Metric *

**THE METRIC CART FEATURES MOST OF THE SAME PARTS  
AS THE STANDARD CART, WITH THE EXCEPTION OF PARTS  
MARKED WITH AN ASTERISK (\*) ABOVE**

## 6 TON METRIC KING PIN END ASSEMBLY

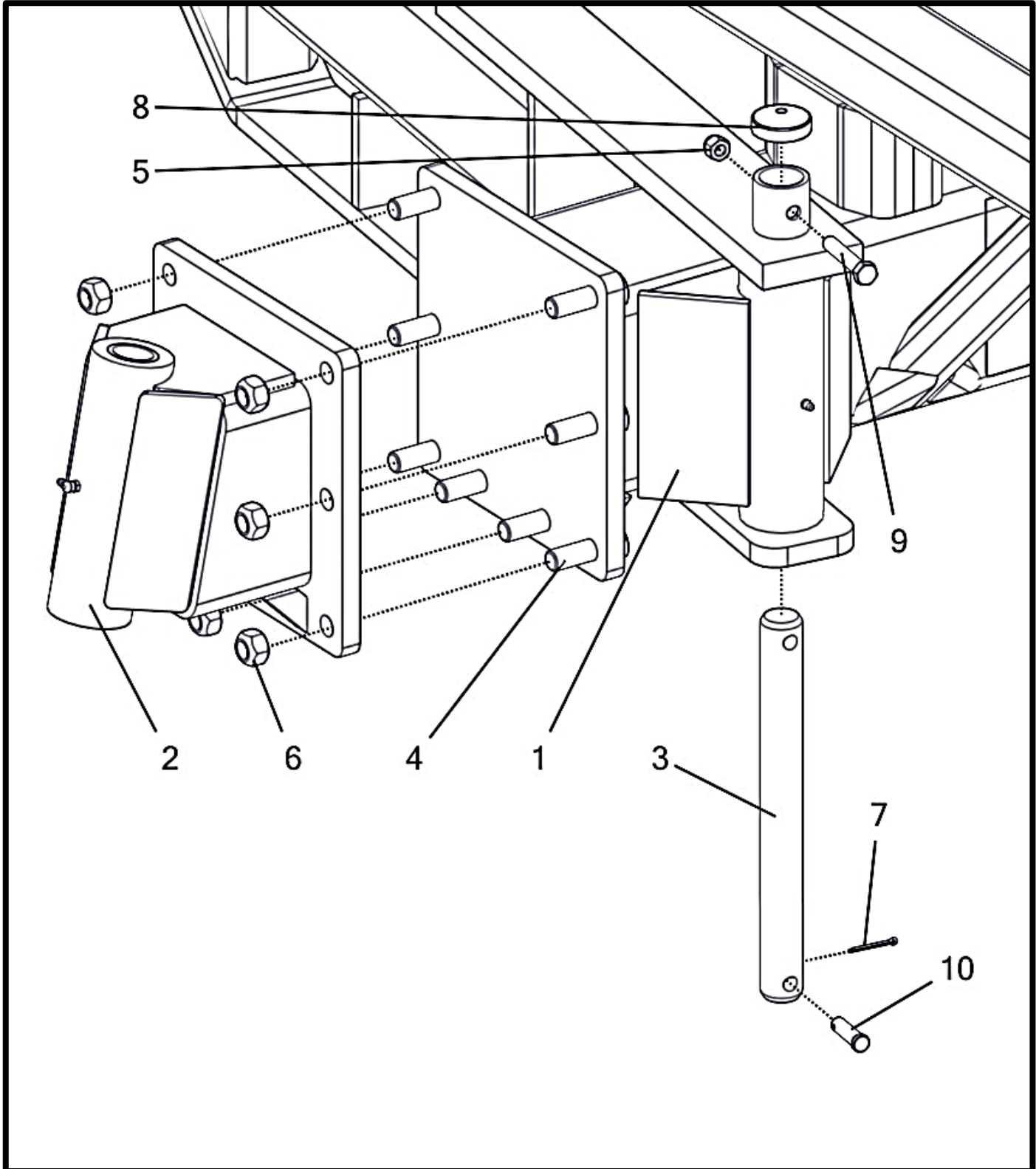


**6 TON METRIC KING PIN END ASSEMBLY**

Item No.	Qty	Part Number	Description
1	2	P000005	Bushing - 1-1/2" x 1.875" x 2.5" *
2	1	P000231	Grease Zerk - 1/4-28 90 *
3	1	A002094__	<b>Assembly - 6 Ton King Pin End (Metric)</b>

(\*) Included In A002094\_\_ - Assembly - 6 Ton King Pin End (Metric)

### 6 TON ARM AND KINGPIN END ATTACHMENT



## 6 TON ARM AND KINGPIN END ATTACHMENT

Item No.	Qty	Part Number	Description
1	1	A000258__	Assembly - 6 Ton Adjustable Center Frame
2	2	A002094__	Assembly - 6 Ton King Pin End (Metric)
3	2	<b>(N)</b> M003839	Shaft - 1-1/2" x 15" (6 Ton King Pin)
4	16	P000046	Bolt - 3/4-10 x 2.5 x 1.75 Hex (GR 5 M/S FA) *
5	2	<b>(N)</b> P000058	Nut - 1/2-13 Hex Nylon Lock (GR 5 M/S FA) †
6	16	P000061	Nut - 3/4-10 Hex Metal Lock (GR 5 M/S FA) *
7	2	<b>(N)</b> P002013	Cotter Pin - 1/8" x 1.5" (S/S) †
8	2	<b>(N)</b> P003239	Cap - 2.0625 I.D. x .5" Vinyl
9	2	<b>(N)</b> P003240	Bolt - 1/2-13 x 2.75 x 1.25 Hex (GR 8 M/S FA) †
10	2	<b>(N)</b> P003673	Pin - 1/2" x 1.750" x 1.500" Clevis (M/S FA) †

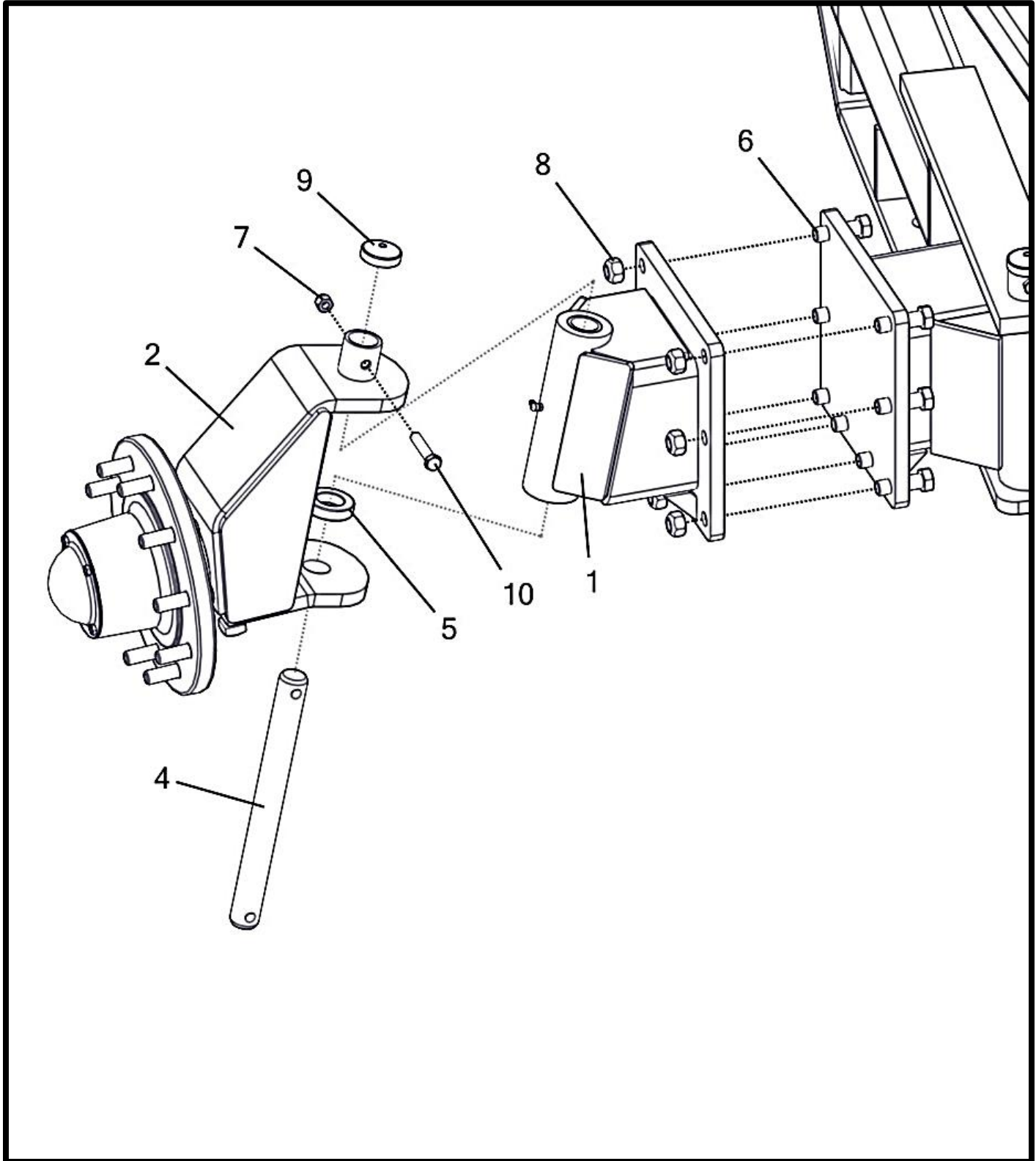
(\*) Included In K000017 - Kit - Adj. Axle (6 Ton)

(†) included in **(N)** K002589 – 6 Ton Cart Hardware (Yellow Zinc)

Montag upgraded the arm and spindle pivots to use a pin system, rather than a bolt, in 2022. Retrofittable update kits are available for older models:

### 6 ton - K002765 - Kit - 6 Ton Cart Arm King Pin Upgrade Kit

### C06M AXLE AREA





**C06M AXLE AREA**

Item No.	Qty	Part Number	Description
1	2	A002094__	Assembly - 6 Ton King Pin End (Metric)
2	1	<b>(N)</b> A002628__	<b>Spindle Assembly - 6 Ton Left Metric (Shown)</b>
3	1	<b>(N)</b> A002630__	Spindle Assembly - 6 Ton Right Metric
4	4	<b>(N)</b> M003839	Shaft - 1-1/2" x 15" (6 Ton King Pin)
5	2	P000015	Bearing - Thrust 1-1/2" (D17)
6	16	P000046	Bolt - 3/4-10 x 2.5 x 1.75 Hex (GR 5 M/S FA) *
7	4	<b>(N)</b> P000058	Nut - 1/2-13 Hex Nylon Lock (GR 5 M/S FA) †
8	16	P000061	Nut - 3/4-10 Hex Metal Lock (GR 5 M/S FA) *
9	4	<b>(N)</b> P003239	Cap - 2.0625 I.D. x .5" Vinyl
10	4	<b>(N)</b> P003240	Bolt - 1/2-13 x 2.75 x 1.25 Hex (GR 8 M/S FA) †

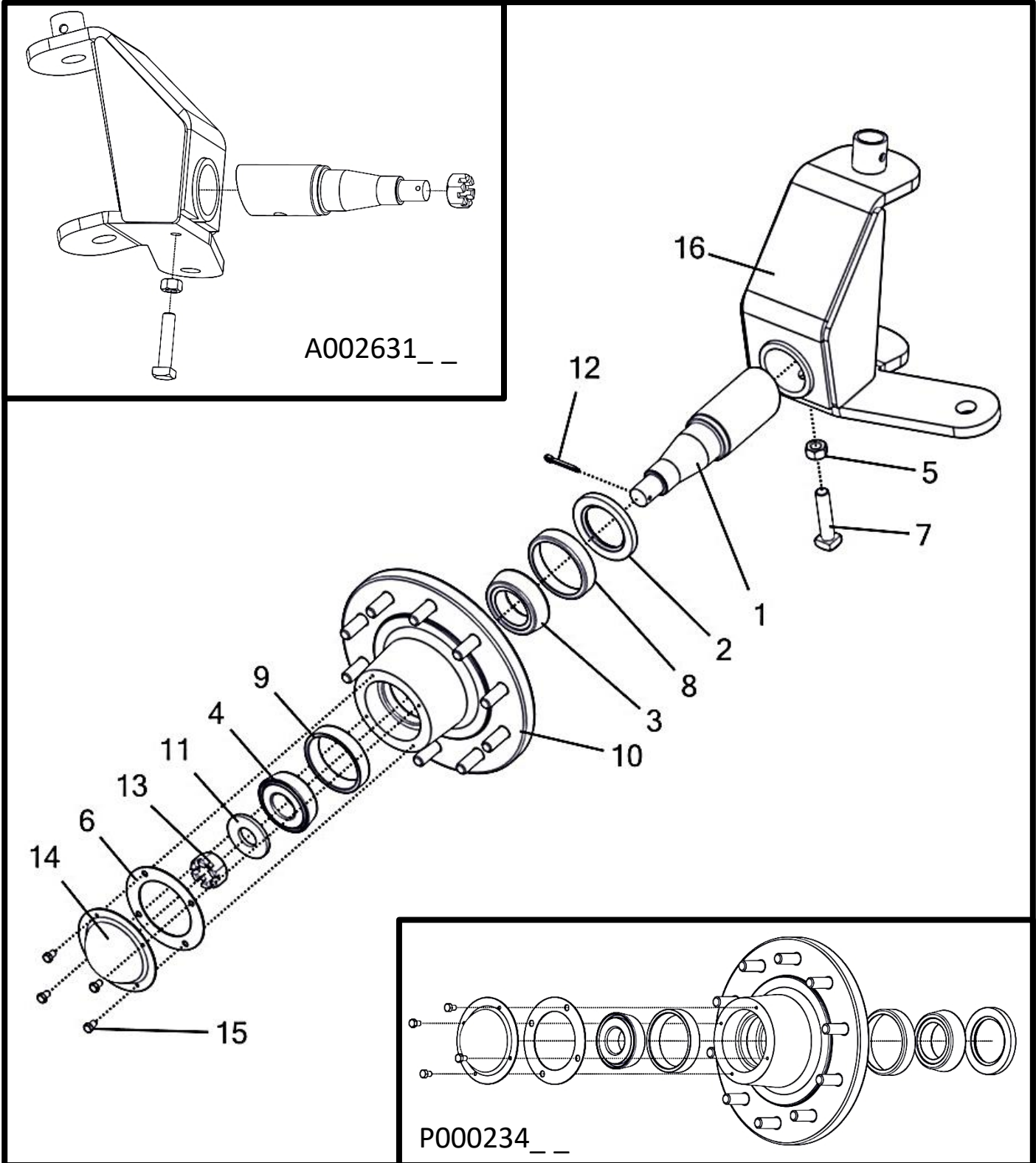
(\* ) Included In K000017 - Kit - Adj. Axle (6 Ton)

(†) included in **(N)** K002589 – 6 Ton Cart Hardware (Yellow Zinc)

Montag upgraded the arm and spindle pivots to use a pin system, rather than a bolt, in 2022. Retrofittable update kits are available for older models:

**6 ton - K002765 - Kit - 6 Ton Cart Arm King Pin Upgrade Kit**

### 6 TON METRIC SPINDLE ASSEMBLIES



## 6 TON METRIC SPINDLE ASSEMBLIES

Item No.	Qty	Part Number	Description
		<b>(N) A002630__</b>	<b>Spindle Assembly - 6 Ton Right Metric (Shown)</b>
		<b>(N) A002628__</b>	Spindle Assembly - 6 Ton Left Metric
1	1	M000964	Shaft - 6 Ton Metric Spindle *
2	1	P000007	Seal -Hub (6Ton) †
3	1	P000008	Bearing - Inner (6Ton) †
4	1	P000009	Bearing - Outer (6 & 9Ton) †
5	1	P000019	Nut - 3/4-10 Hex (GR 5 M/S FA) *
6	1	P000025	Gasket - Hub Cap (6&9Ton) †
7	1	P000033	Set Screw - 3/4" x 3-1/2" *
8	1	P000166	Cup - Inner (6Ton) †
9	1	P000170	Cup - Outer (6 & 9Ton) †
10	1	P000249__	Hub - 6Ton (Casting Only) †
11	1	P000252	Washer - Spindle (6 & 9 Ton)
12	1	P000254	Pin - Cotter (6 & 9 Ton Spindle)
13	1	P000256	Nut - 1 1/4-12 Slotted (GR 5 M/S FB)
14	1	P000259__	Hub Cap - (6 & 9 Ton) †
15	4	P002588	Bolt - 5/16-18 x 0.5 x 0.5 Hex (GR 5 M/S FC) †
16	1	<b>(N) W002847__</b>	<b>Housing - Spindle (6Ton Right) (Shown) *</b>
	1	<b>(N) W002848__</b>	<b>Housing - Spindle (6 Ton Left) *</b>

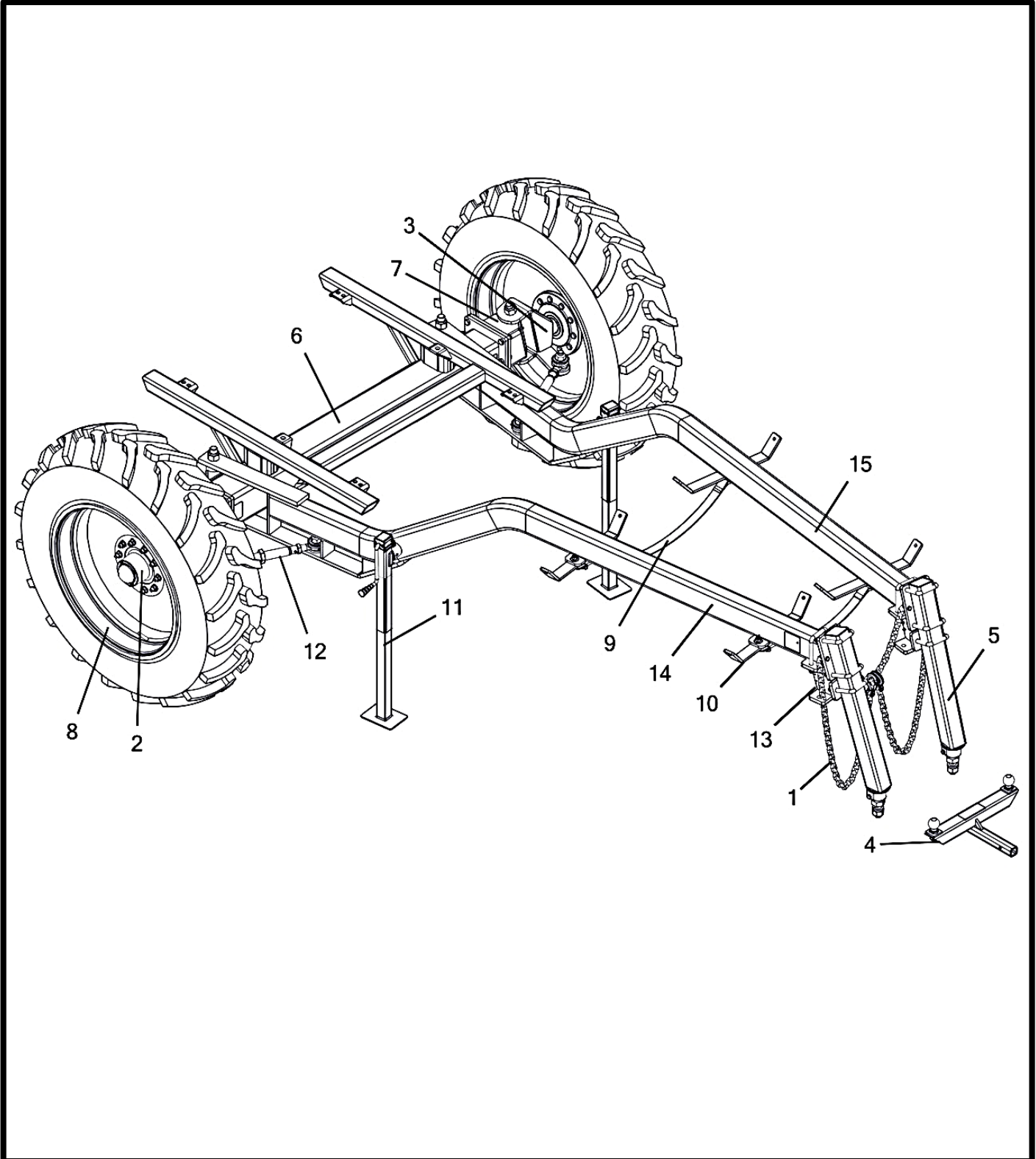
(\* ) Included In **(N) A002631\_\_ - Spindle Housing Assembly - 6 Ton (RH) (Shown)**

Or

(\* ) **(N) A002629\_\_ - Spindle Housing Assembly - 6 Ton (LH)**

(†) Included In P000234\_\_ - Hub - 6 Ton (N871)

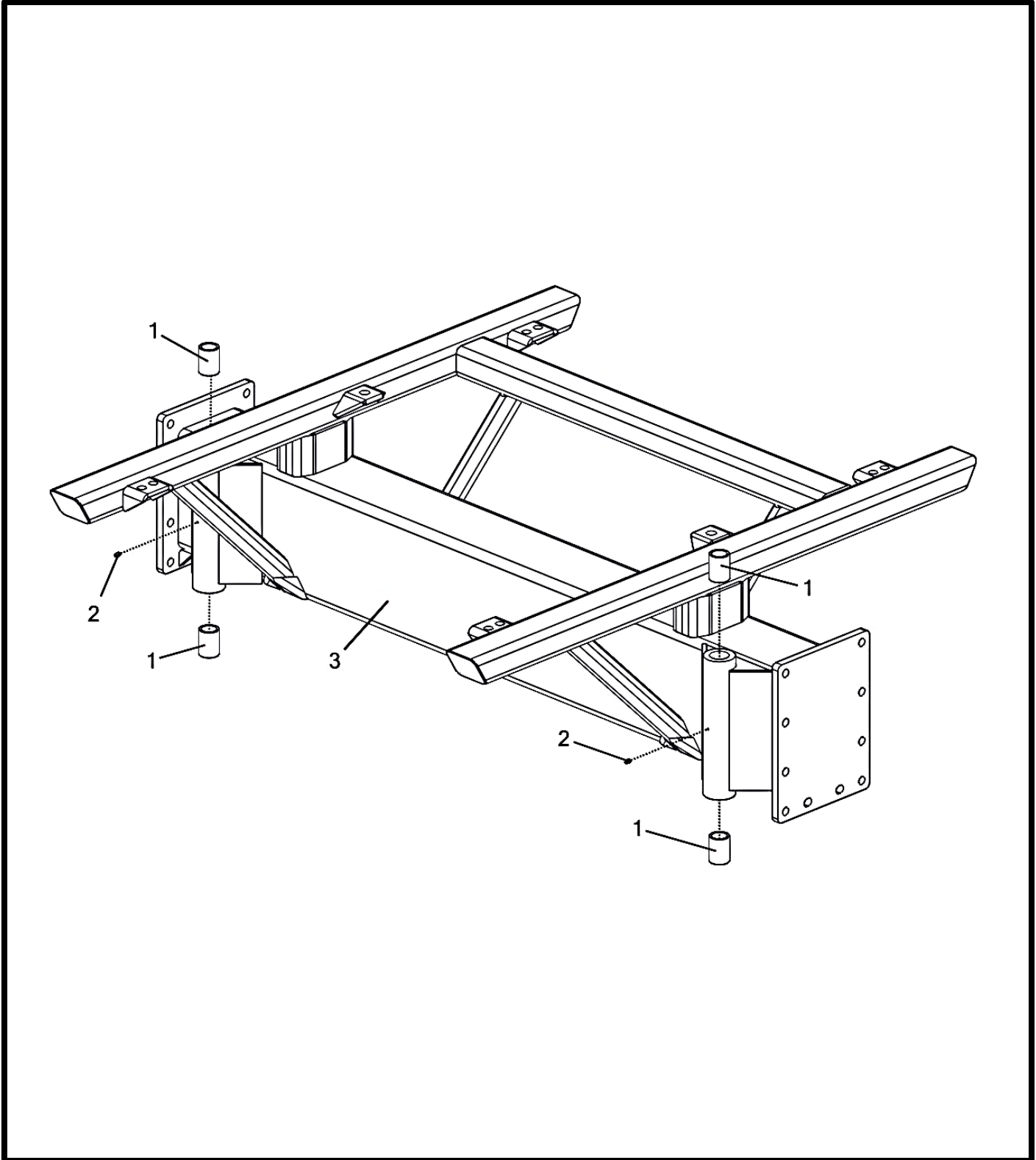
## 12 TON CART OVERVIEW



## 12 TON CART OVERVIEW

Item No.	Qty	Description
1	2	Safety Chain Assembly - <b>See pg. 34-35</b>
2	1	Spindle Assembly – Right
3	1	Spindle Assembly – Left
4	1	Hitch - Transport Receiver: <b>Ball - See pg. 38-39, Knuckle - See pg. 44-45</b>
5	2	Adjustable Hitch - <b>See pg. 34-35, Knuckle Hitch - See pg. 42-43, Drift Assist - See pg. 46-49</b>
6	1	Assembly - Adjustable Center Frame
7	2	Assembly - King Pin End
8	2	Tire
9	1	Kit - Hose Saddle Guide: <b>See pg. 28-29</b>
10	4	Saddle - Hose: <b>See pg. 28-29</b>
11	2	Jack - 8000 lb. Drop
12	2	Tie-Rod
13	2	Universal Arm Gusset Support
14	1	Arm - Gooseneck RH
15	1	Arm - Gooseneck LH

## 12 TON CENTER FRAME

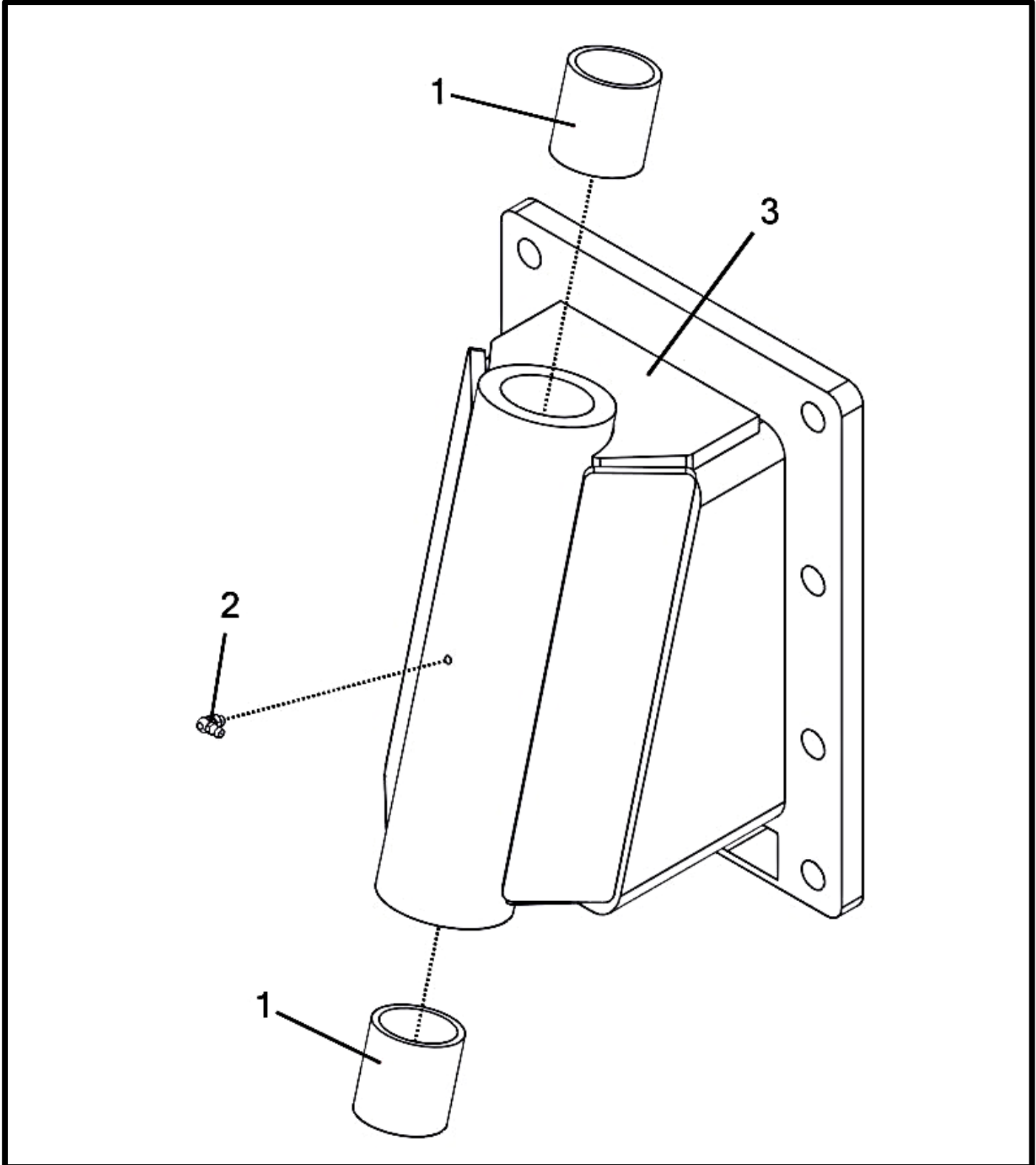


## 12 TON CENTER FRAME

Item No.	Qty	Part Number	Description
1	4	<b>(R)</b> P003513	Bushing - 1-1/2" x 1.875" x 2.5" *
2	2	P000140	Grease Zerk - 1/4-28 Straight *
3	1	<b>A000259__</b>	<b>Assembly - 9 Ton Adjustable Center Frame</b>

(\*) Included In A000259\_\_ - Assembly - 9 Ton Adjustable Center Frame

## 12 TON KING PIN END ASSEMBLY



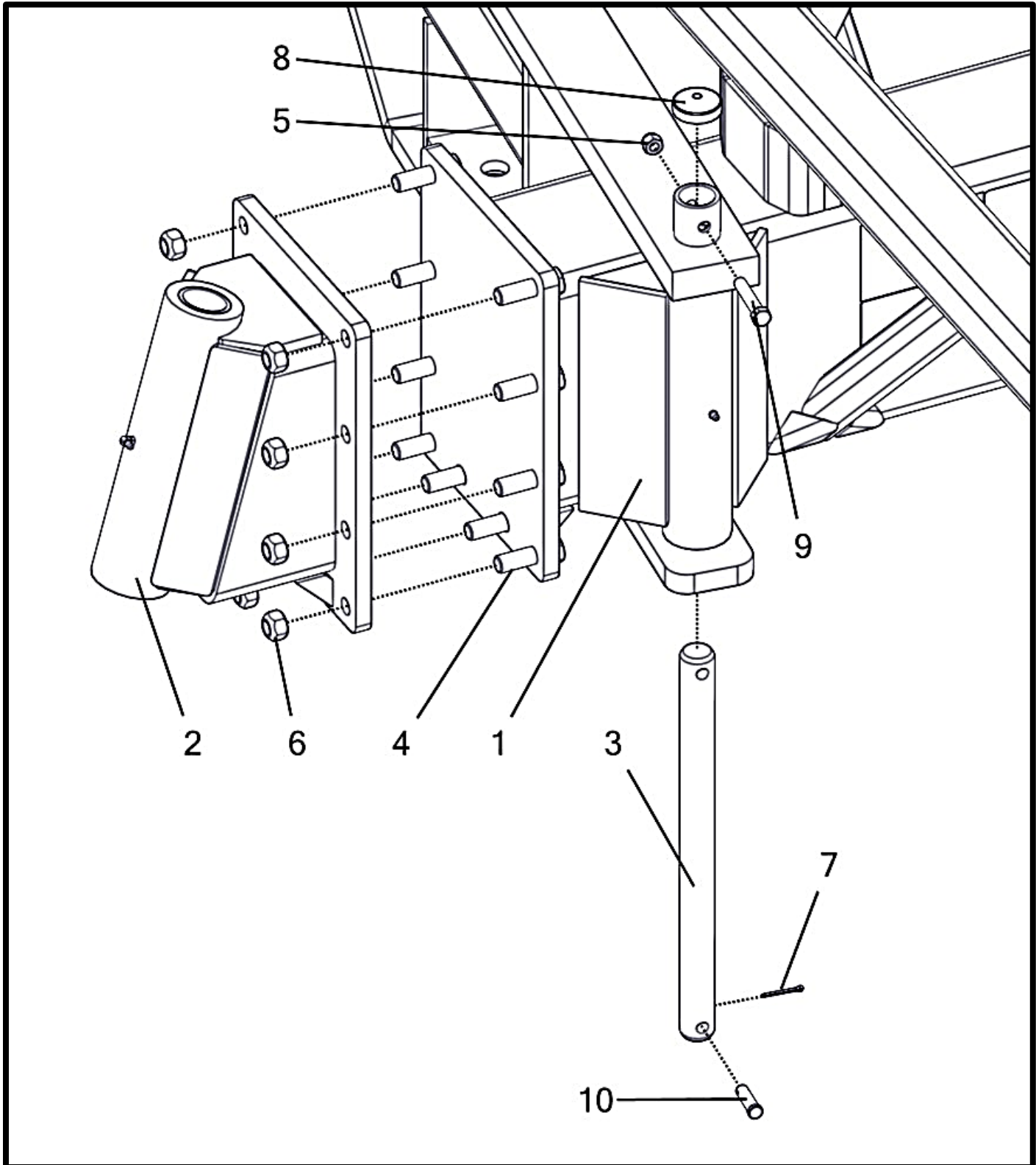


## 12 TON KING PIN END ASSEMBLY

Item No.	Qty	Part Number	Description
1	2	P000006	Bushing - 2" x 2.375" x 2.5" *
2	1	P000231	Grease Zerk - 1/4-28 90 *
3	1	<b>A000261__</b>	<b>Assembly - 9 Ton King Pin End</b>

(\* ) Included In A000261\_\_ - Assembly - 9 Ton King Pin End

## 12 TON ARM AND KINGPIN END ATTACHMENT



## 12 TON ARM AND KINGPIN END ATTACHMENT

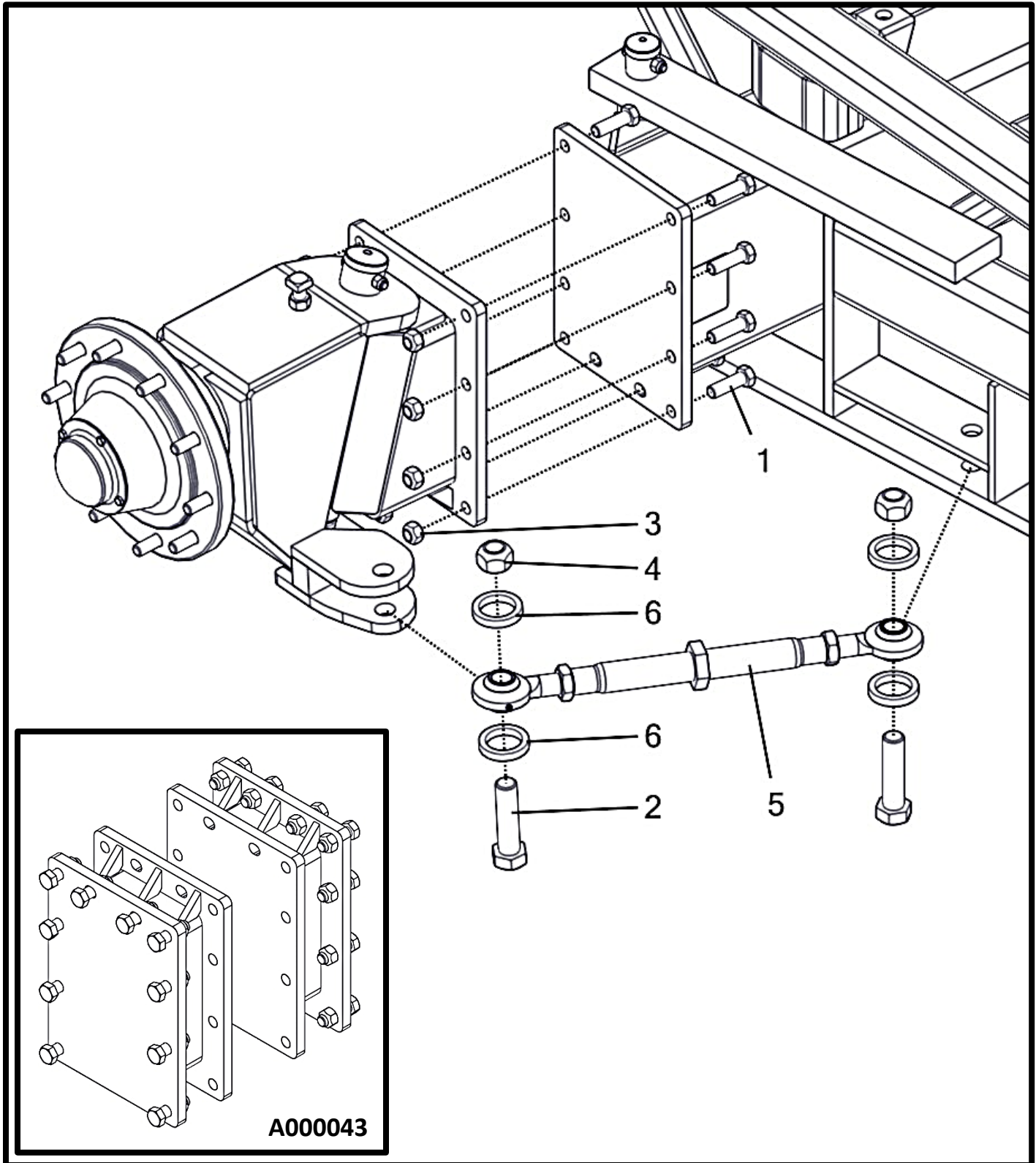
Item No.	Qty	Part Number	Description
1	1	A000259__	Assembly - 9 Ton Adjustable Center Frame
2	2	A000261__	Assembly - 9 Ton King Pin End
3	2	<b>(N)</b> M003840	Shaft - 1-1/2" x 20" (12 Ton King Pin)
4	16	P000046	Bolt - 3/4-10 x 2.5 x 1.75 Hex (GR 5 M/S FA) *
5	2	<b>(N)</b> P000058	Nut - 1/2-13 Hex Nylon Lock (GR 5 M/S FA) †
6	16	P000061	Nut - 3/4-10 Hex Metal Lock (GR 5 M/S FA) *
7	2	<b>(N)</b> P002013	Cotter Pin - 1/8" x 1.5" (S/S) †
8	2	<b>(N)</b> P003239	Cap - 2.0625 I.D. x .5" Vinyl
9	2	<b>(N)</b> P003240	Bolt - 1/2-13 x 2.75 x 1.25 Hex (GR 8 M/S FA) †
10	2	<b>(N)</b> P003673	Pin - 1/2" x 1.750" x 1.500" Clevis (M/S FA) †

(\*) Included In K000018 - Kit - Adj. Axle (9 Ton)  
 (†) Included In **(N)** K002590 - Kit - 12 Ton Cart Hardware

Montag upgraded the arm and spindle pivots to use a pin system, rather than a bolt, in 2022. Retrofittable update kits are available for older models:

**9 and 12 - K002720 - Kit - 9 & 12 Ton Cart Arm King Pin Upgrade Kit**

### 12 TON TIE RODS (TIRES ONLY)



## 12 TON TIE RODS (TIRES ONLY)

Item No.	Qty	Part Number	Description
1	20	P000046	Bolt - 3/4-10 x 2.5 x 1.75 Hex (GR 5 M/S FA) †
2	4	P000054	Bolt - 1 1/4-7 x 5 x 2.75 Hex (GR 5 M/S FA) *
3	20	P000061	Nut - 3/4-10 Hex Metal Lock (GR 5 M/S FA) †
4	4	P000079	Nut - 1 1/4-7 Hex Metal Lock (GR 5 M/S FA) *
5	2	<b>P000350__</b>	<b>Tie-Rod - 120"-132" Universal Adjustable (Heavy Duty) (Shown)</b>
	2	P000351__	Tie-Rod - 133"-165" Universal Adjustable (Heavy Duty)
6	8	P000365	Gasket - Tie-Rod Bearing Grease (Foam)

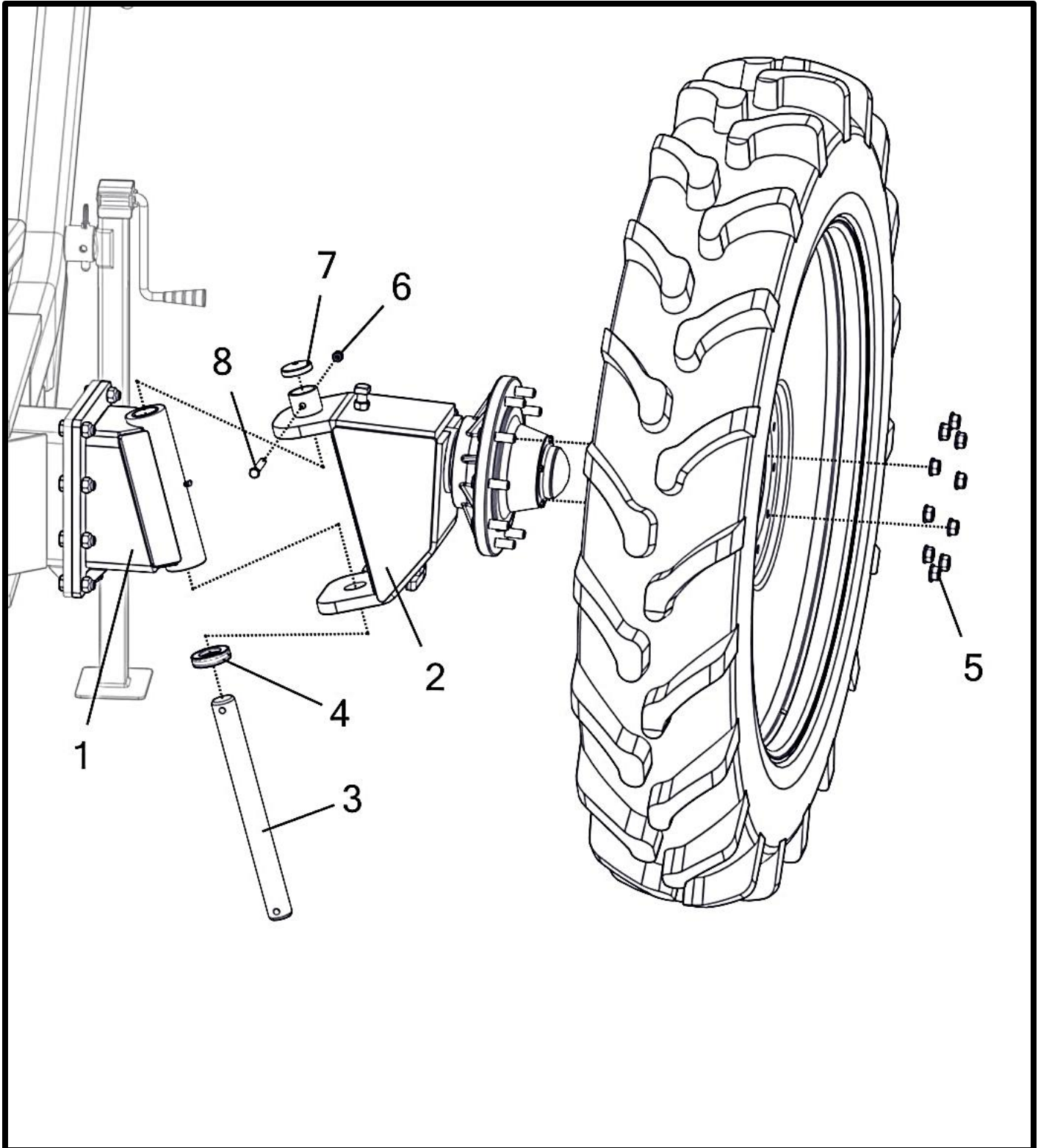
(\* Included In **(N)** K002590 - Kit - 12 Ton Cart Hardware

(†) Included In K000018 - Kit - Adj. Axle (9 Ton)

OFFSET	AXLE EXTENSION	TIE-ROD P/N
0"	NONE	P000350__
10"	A000043__‡	P000350__
12"	A000044__‡	P000350__
24"	A000045__‡	P000351__
32"	A000046__‡	P000351__
40"	A000047__‡	P000351__

(‡) Includes K000018 Hardware Kit

### 12 TON AXLE AREA



## 12 TON AXLE AREA

Item No.	Qty	Part Number	Description
1	2	A000261__	Assembly - 9 Ton King Pin End
2	1	<b>(N)</b> A002624__	<b>Spindle Assembly - 12Ton Right (380/90R46 10 Bolt) (Shown)</b>
	1	<b>(N)</b> A002625__	Spindle Assembly - 12Ton Left (380/90R46 10 Bolt)
	1	<b>(N)</b> A002626__	Spindle Assembly - 12Ton Right (24.5/32 10 Bolt)
	1	<b>(N)</b> A002627__	Spindle Assembly - 12Ton Left (24.5/32 10 Bolt)
3	2	<b>(N)</b> M003927	Shaft - 2" x 20" (12 Ton King Pin)
4	2	P000016	Bearing - Thrust 2" (D25)
5	20	P000018	Nut - Lug(6,9,12 Ton) *
6	2	<b>(N)</b> P000058	Nut - 1/2-13 Hex Nylon Lock (GR 5 M/S FA) †
7	2	<b>(N)</b> P003241	Cap - 2.5625 I.D. x .5" Vinyl
8	2	<b>(N)</b> P003242	Bolt - 1/2-13 x 3.25 x 1.25 Hex (GR 8 M/S FA) †

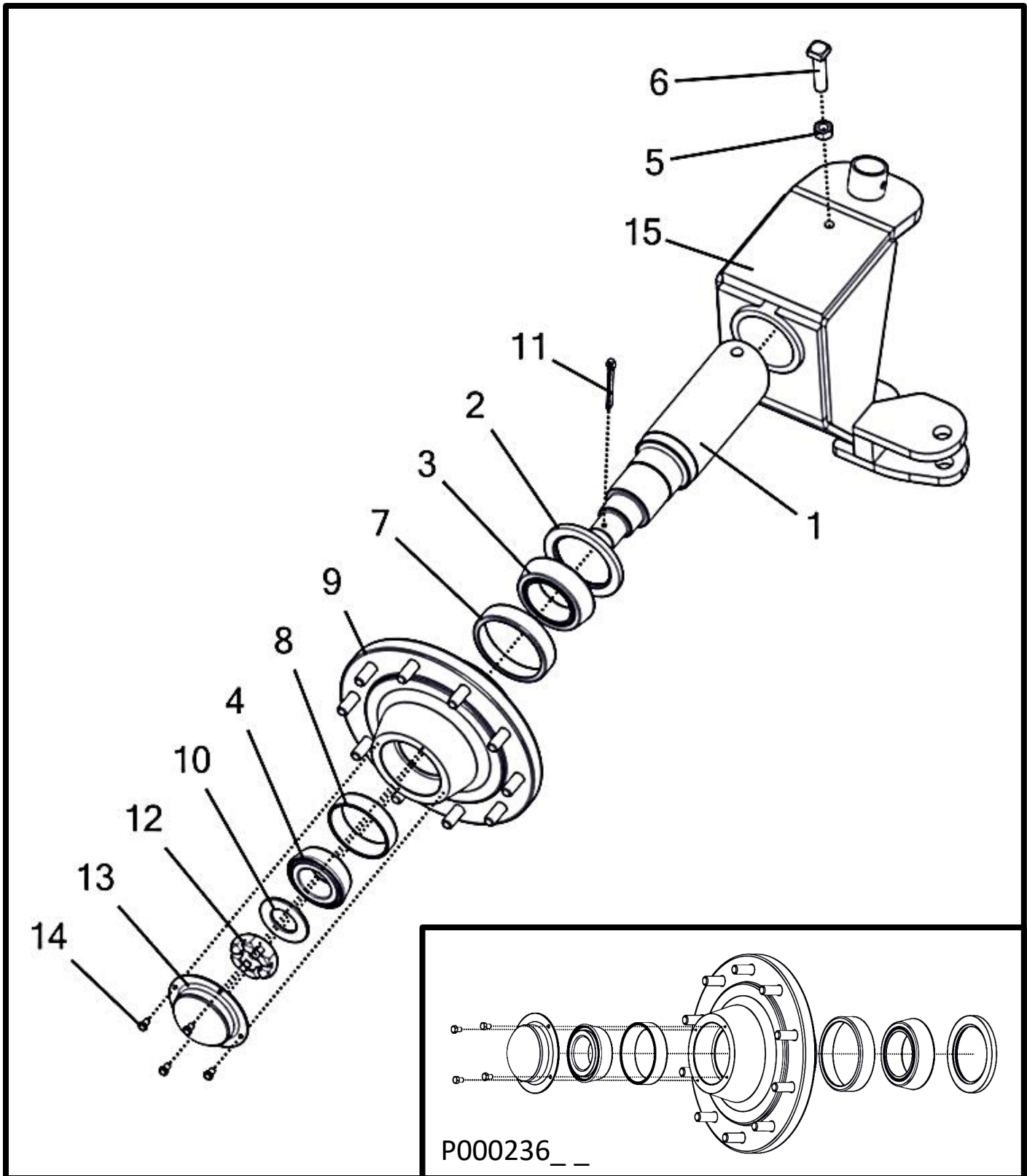
(\*) Included In K002204 - Kit - Lug Nut (10 Pack)  
(Requires 1 Per Tire)

(†) Included In **(N)** K002590 - Kit - 12 Ton Cart Hardware

Montag upgraded the arm and spindle pivots to use a pin system, rather than a bolt, in 2022. Retrofittable update kits are available for older models:

### 9 and 12 - K002720 - Kit - 9 & 12 Ton Cart Arm King Pin Upgrade Kit

### 12 TON SPINDLE ASSEMBLIES



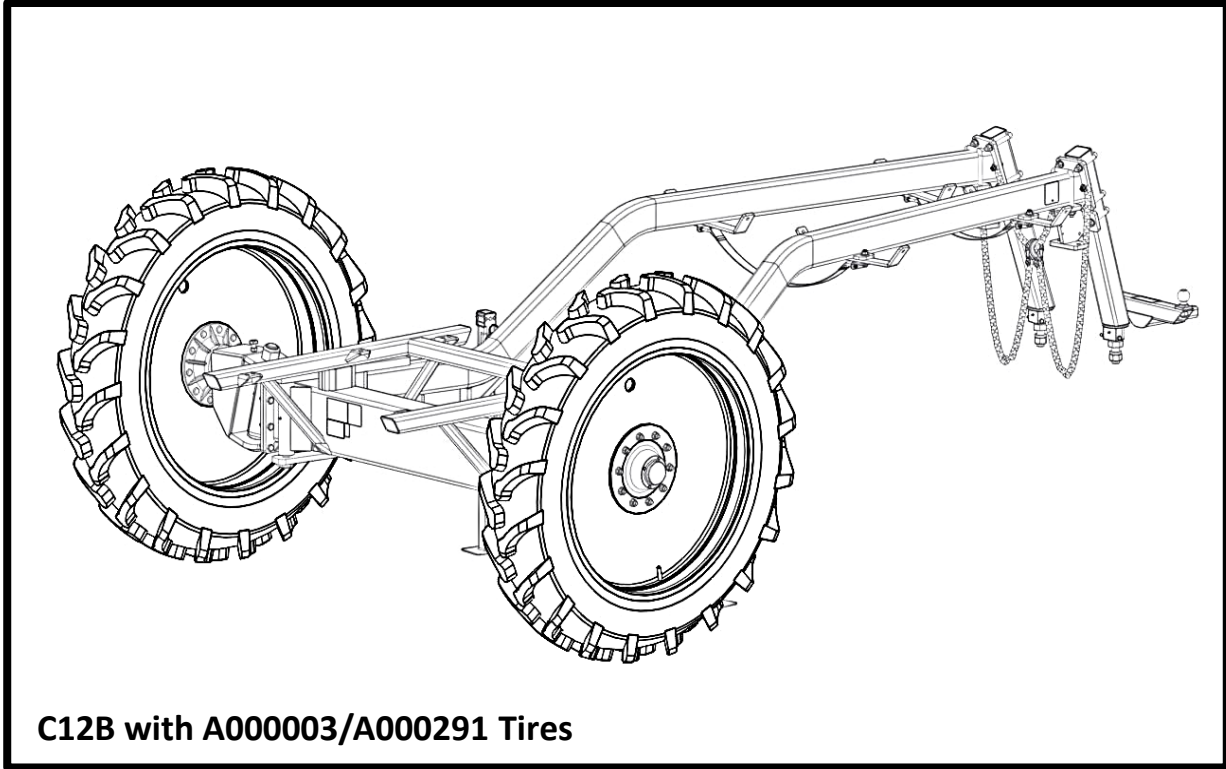


## 12 TON SPINDLE ASSEMBLIES

Item No.	Qty	Part Number	Description
		<b>(N) A002624__</b>	<b>Spindle Assembly - 12Ton Right (380/90R46 10 Bolt) (Shown)</b>
		<b>(N) A002625__</b>	Spindle Assembly - 12Ton Left (380/90R46 10 Bolt)
		<b>(N) A002626__</b>	Spindle Assembly - 12Ton Right (24.5/32 10 Bolt)
		<b>(N) A002627__</b>	Spindle Assembly - 12Ton Left (24.5/32 10 Bolt)
1	1	<b>M000020</b>	<b>Shaft - 12Ton Spindle (380/90 R46 Large 10 Bolt) (Shown)</b>
	1	M00693	Shaft – 12 Ton Spindle (24.5/32 Large 10 Bolt)
2	1	P000012	Seal -Hub (12 Ton) *
3	1	P000013	Bearing - Inner (12 Ton) *
4	1	P000014	Bearing - Outer (12 Ton) *
5	1	P000019	Nut - 3/4-10 Hex (GR 5 M/S FA)
6	1	P000033	Set Screw - 3/4" x 3-1/2"
7	1	P000168	Cup - Inner (12 Ton) *
8	1	P000171	Cup - Outer (12 Ton) *
9	1	P000251__	Hub - 12 Ton (Casting Only) *
10	1	P000253	Washer - Spindle (12 Ton)
11	1	P000255	Pin - Cotter (12 Ton Spindle)
12	1	P000257	Nut - 2-12 Slotted (GR 5 M/S FG)
13	1	P000261__	Hub Cap - (12 Ton) *
14	4	P002588	Bolt - 5/16-18 x 0.5 x 0.5 Hex (GR 5 M/S FC) *
15	1	<b>(N) W002849__</b>	<b>Housing - Spindle (12 Ton Right) (Shown)</b>
	1	<b>(N) W002850__</b>	Housing - Spindle (12 Ton Left)

(\*) 12 Ton Hub Parts Are Included In P000236\_\_ - Hub - 12 Ton (N881)

## 12 TON TIRE OPTIONS

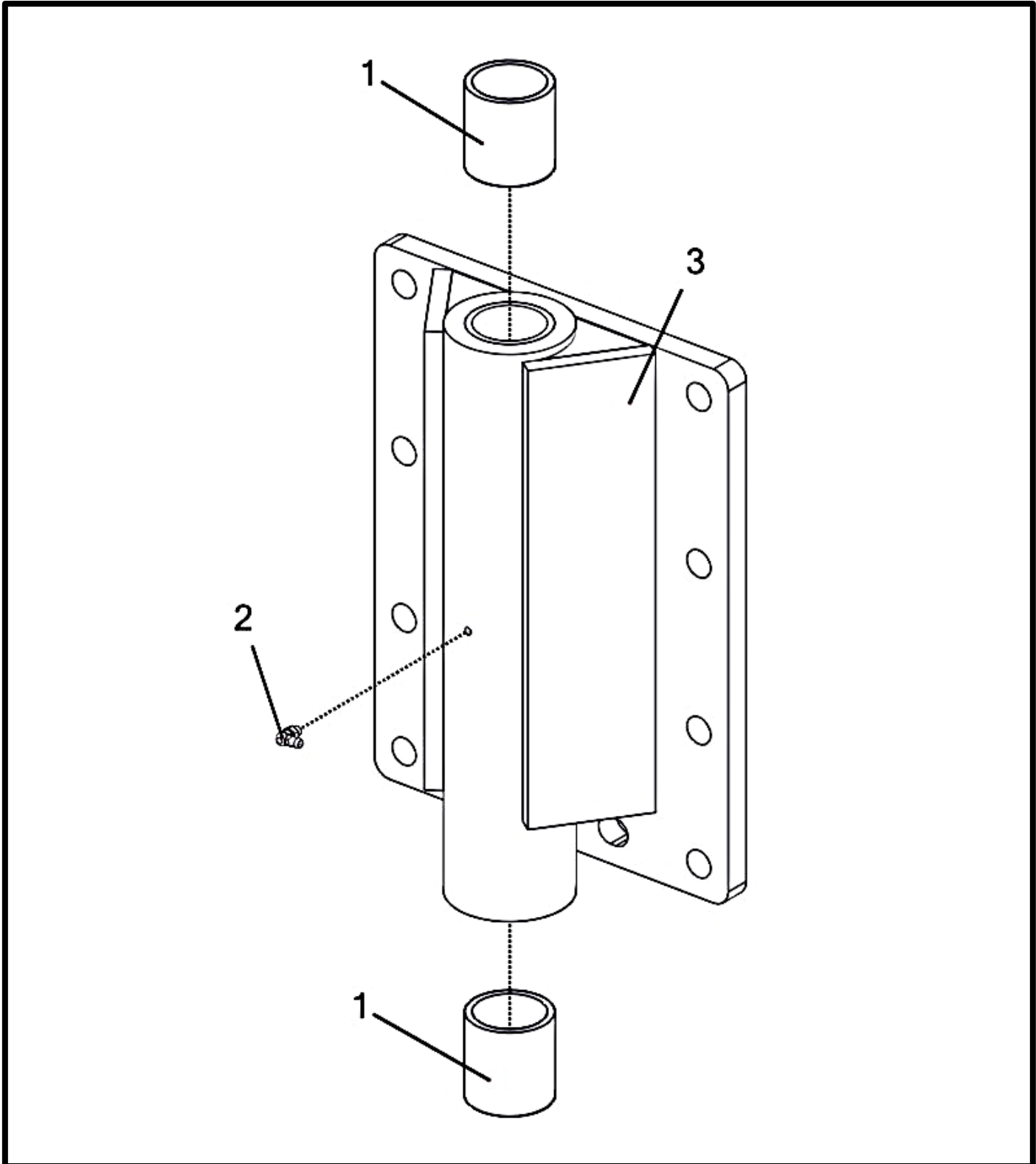


## 12 TON TIRE OPTIONS

LEFT	RIGHT	Description
A000002 *	A000002 *	Tire Assembly - 24.5 x 32" Large 10 Bolt 1.5" Offset
A000003	A000291	Tire Assembly- 380/90 R46" 10 Bolt Large

(\*) Minimum 10" Wheelbase Extension Required

## 12 TON TRACK KING PIN END ASSEMBLY

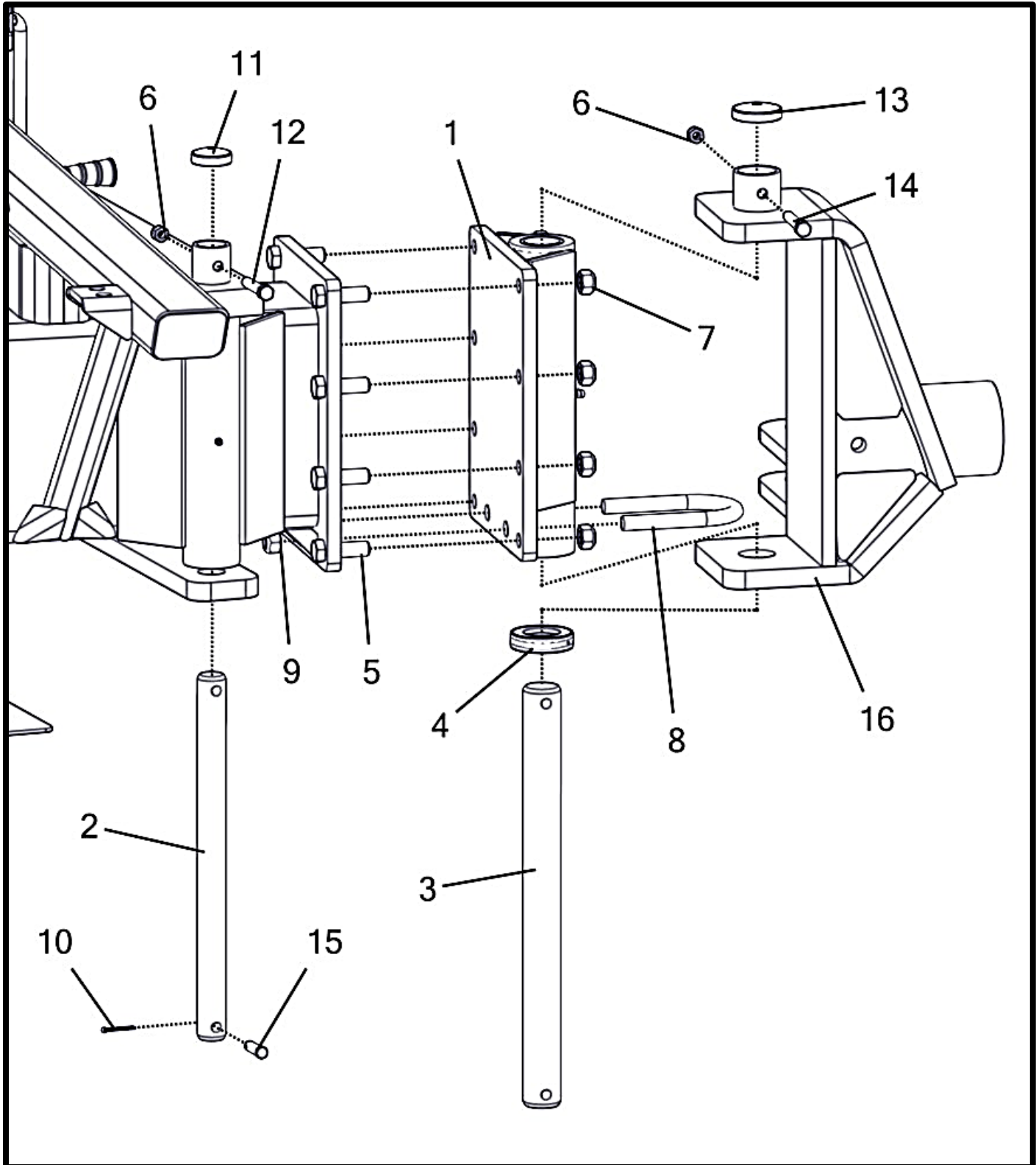


## 12 TON TRACK KING PIN END ASSEMBLY

Item No.	Qty	Part Number	Description
1	2	P000006	Bushing - 2" x 2.375" x 2.5" *
2	1	P000231	Grease Zerk - 1/4-28 90 *
<b>3</b>	<b>1</b>	<b>A000275__</b>	<b>Assembly - 12 Ton Track King Pin End</b>

(\* ) Included In A000275\_\_ - Assembly - 12 Ton Track King Pin End

### 12 TON TRACK AXLE AREA



## 12 TON TRACK AXLE AREA

Item No.	Qty	Part Number	Description
1	2	A000275__	Assembly - 12 Ton Track King Pin End
2	2	<b>(N)</b> M003840	Shaft - 1-1/2" x 20" (12 Ton King Pin)
3	2	<b>(N)</b> M003929	Shaft - 2" x 23" (12 Ton King Pin)
4	2	P000016	Bearing - Thrust 2" (D25)
5	16	P000046	Bolt - 3/4-10 x 2.5 x 1.75 Hex (GR 5 M/S FA) †
6	4	<b>(N)</b> P000058	Nut - 1/2-13 Hex Nylon Lock (GR 5 M/S FA) *
7	16	P000061	Nut - 3/4-10 Hex Metal Lock (GR 5 M/S FA) †
8	2	P000573	U-Bolt - 3/4" x 3-9/16" x 6-3/8" (Round)
9	4	P000583	Nut - 3/4-16 Hex Metal Lock (GR 5 M/S FA)
10	2	P002013	Cotter Pin - 1/8" x 1.5" (S/S) *
11	2	P003239	Cap - 2.0625 I.D. x .5" Vinyl
12	2	P003240	Bolt - 1/2-13 x 2.75 x 1.25 Hex (GR 8 M/S FA) *
13	2	<b>(N)</b> P003241	Cap - 2.5625 I.D. x .5" Vinyl
14	2	<b>(N)</b> P003242	Bolt - 1/2-13 x 3.25 x 1.25 Hex (GR 8 M/S FA) *
15	2	P003673	Pin - 1/2" x 1.750" x 1.500" Clevis (M/S FA) *
16	1	<b>(N)</b> W002855__	Housing - Track Spindle (RH) <b>(Shown)</b>
17	1	<b>(N)</b> W002856__	Housing - Track Spindle (LH)

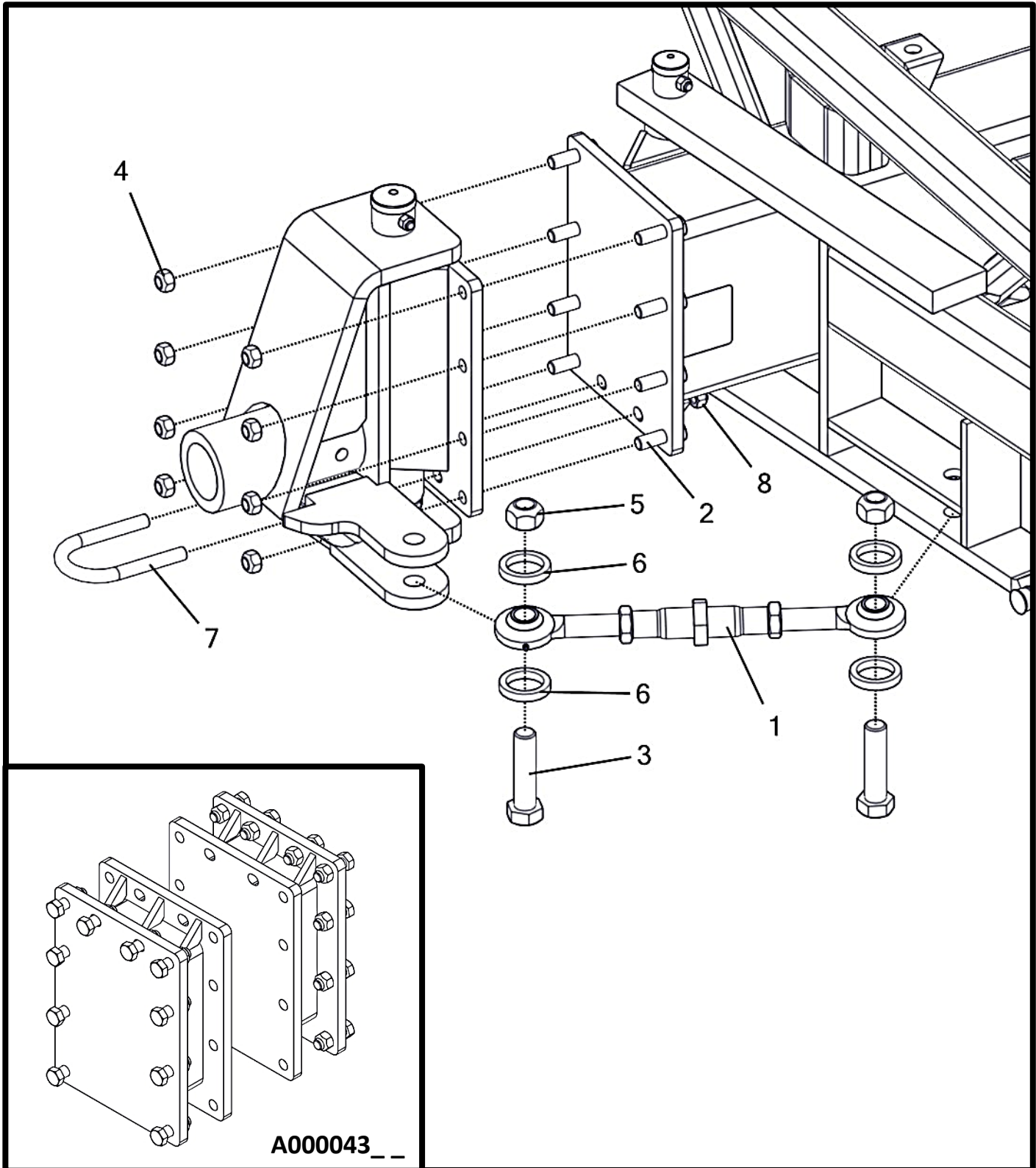
(\*) Included In **(N)** K002590 - Kit - 12 Ton Cart Hardware

(†) Included In K000018 - Kit - Adj. Axle (9 Ton)

Montag upgraded the arm and spindle pivots to use a pin system, rather than a bolt, in 2022. Retrofittable update kits are available for older models:

### 9 and 12 - K002720 - Kit - 9 & 12 Ton Cart Arm King Pin Upgrade Kit

### 12 TON TIE RODS FOR TRACK CARTS





## 12 TON TIE RODS FOR TRACK CARTS

Item No.	Qty	Part Number	Description
1	2	A000176__	Tie-Rod - Track Adjustable ( <b>Shown</b> )
	2	P000350__	Tie-Rod - 120"-132" Universal Adjustable (Heavy Duty)
	2	P000351__	Tie-Rod - 133"-165" Universal Adjustable (Heavy Duty)
2	8	P000046	Bolt - 3/4-10 x 2.5 x 1.75 Hex (GR 5 M/S FA) †
3	2	P000054	Bolt - 1 1/4-7 x 5 x 2.75 Hex (GR 5 M/S FA) *
4	8	P000061	Nut - 3/4-10 Hex Metal Lock (GR 5 M/S FA) †
5	2	P000079	Nut - 1 1/4-7 Hex Metal Lock (GR 5 M/S FA) *
6	4	P000365	Gasket - Tie-Rod Bearing Grease (Foam)
7	1	P000573	U-Bolt - 3/4" x 3-9/16" x 6-3/8" (Round)
8	2	P000583	Nut - 3/4-16 Hex Metal Lock (GR 5 M/S FA)
9	1	W000172	Mount - Track Axle King Pin

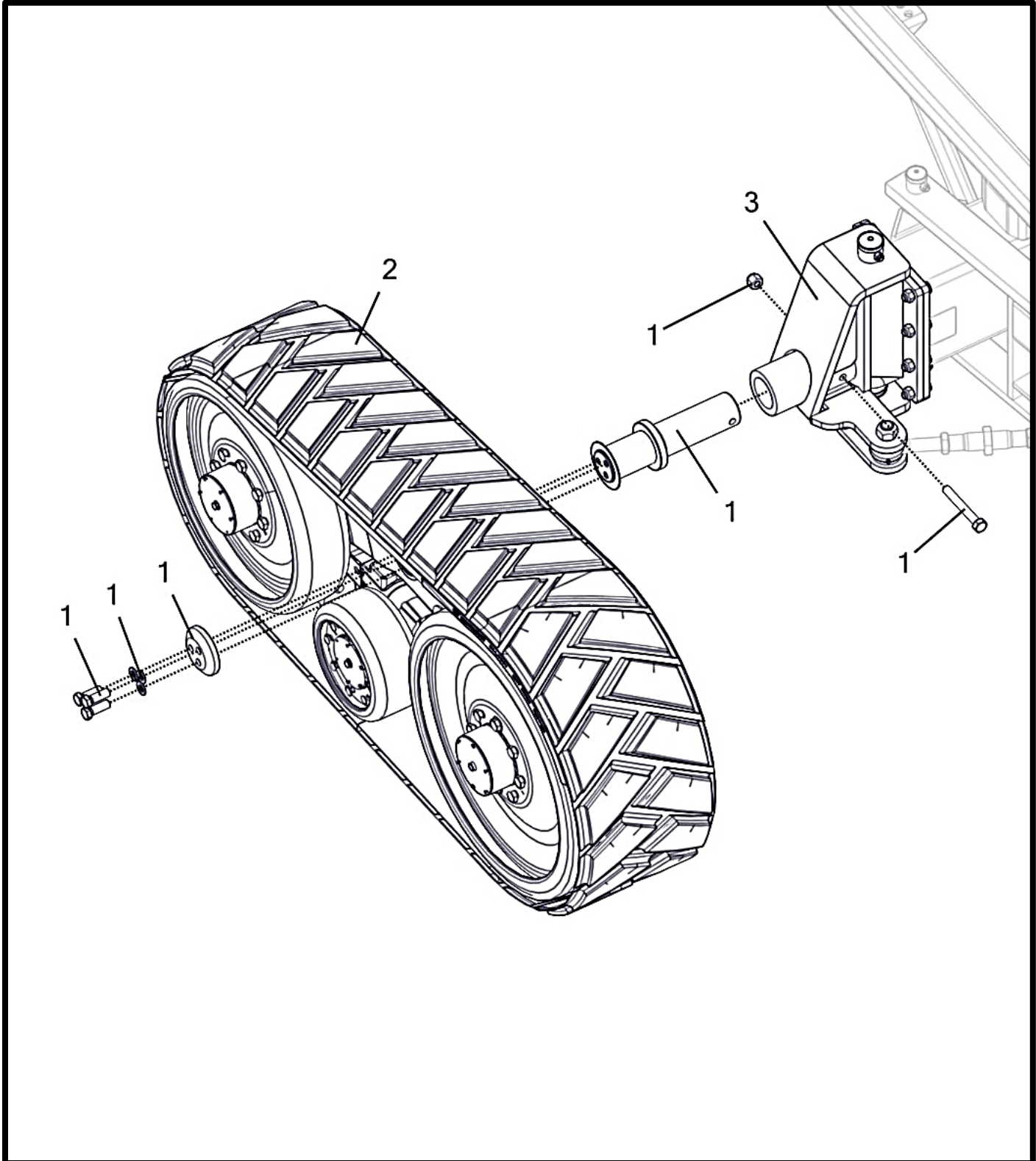
(\* ) Included In **(N)** K002590 - Kit - 12 Ton Cart Hardware

(†) Included In K000018 - Kit - Adj. Axle (9 Ton)

OFFSET	AXLE EXTENSION	TIE-ROD P/N
0"	NONE	A000176__
10"	A000043__‡	P000350__
12"	A000044__‡	P000350__
24"	A000045__‡	P000351__
32"	A000046__‡	P000351__
40"	A000047__‡	P000351__

(‡) Includes K000018 Hardware Kit

12 TON TRACK AXLE AREA \*

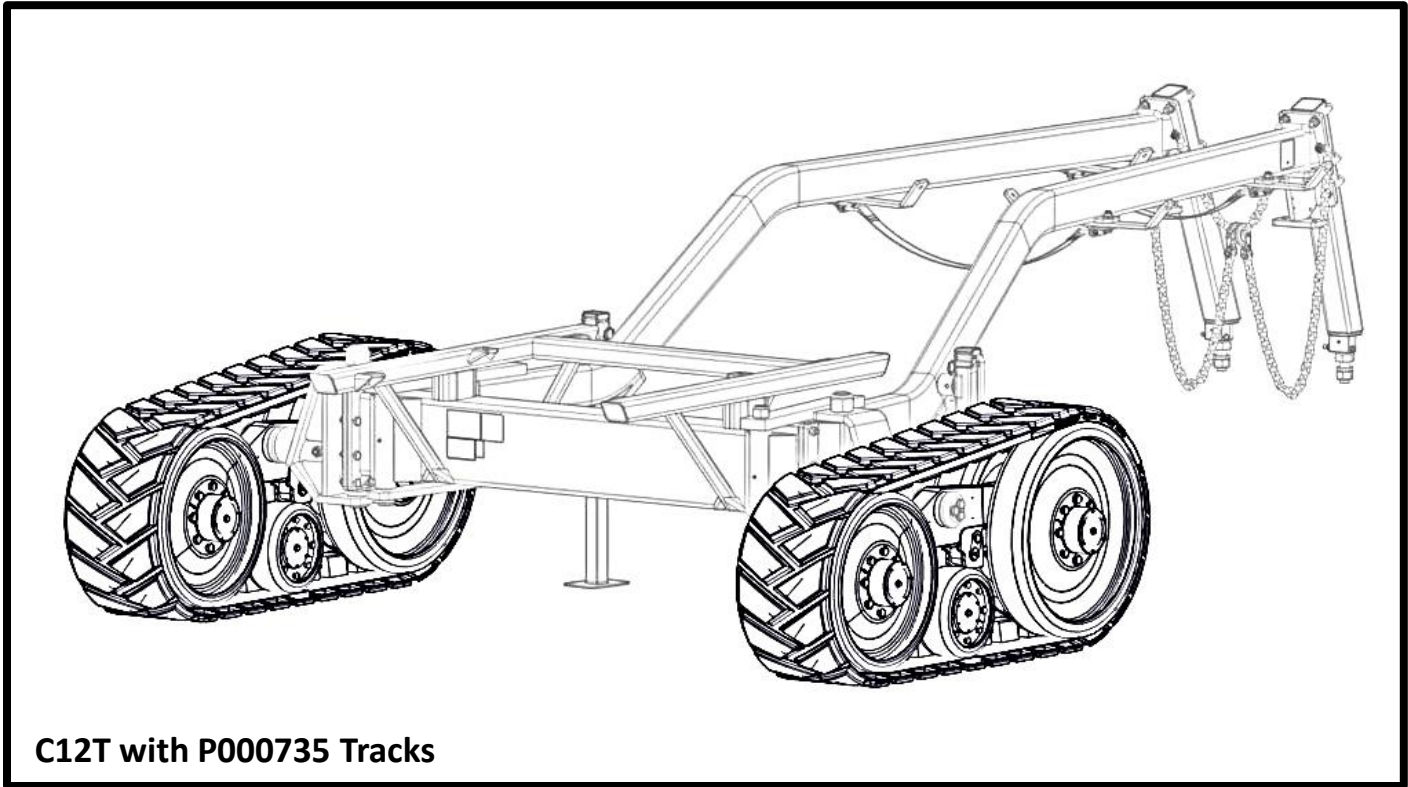


**12 TON TRACK AXLE AREA \***

Item No.	Qty	Part Number	Description
1	2	P000736	Shaft Assembly - Camso Track *
2	1	P002872	Track - TTS 30-1611 (w/ Shaft) Left (Includes P000736)
		P002871	Track - TTS 30-1611 (Less Shaft)
	1	P002873	Track - TTS 30-1611 (w/ Shaft) Right (Includes P000736)
		P002871	Track - TTS 30-1611 (Less Shaft) <b>(Shown)</b>
	1	P002867	Track - TTS 35-1813 (w/ Shaft) Right (Includes P000736)
		P002866	Track - TTS 35-1813 (Less Shaft)
	1	P002868	Track - TTS 35-1813 (w/ Shaft) Left (Includes P000736)
		P002866	Track - TTS 35-1813 (Less Shaft)
3	1	<b>(N)</b> W002855__	Housing - Track Spindle (RH) <b>(Shown)</b>
	1	<b>(N)</b> W002856__	Housing - Track Spindle (LH)

(\* ) Please Contact Montag Mfg. Support For Information  
And Part Numbers For Camso Products.

## 12 TON TRACK OPTIONS



**C12T with P000735 Tracks**

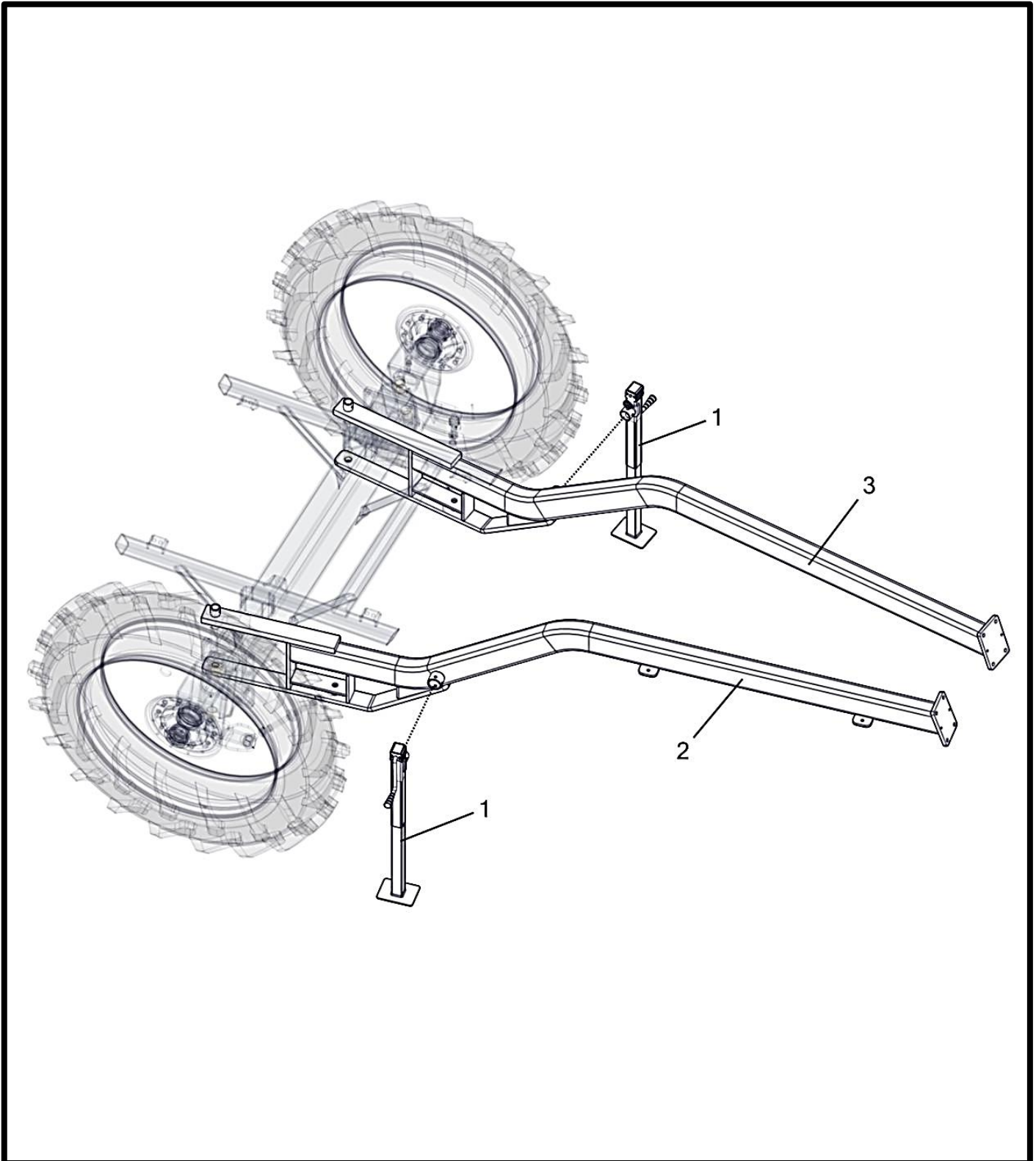


**P000737 Tracks**

## 12 TON TRACK OPTIONS

LEFT	RIGHT	Description
P000735		Track - TTS 30-1611 Series (Pair) (16" Tracks)
P002872		Track - TTS 30-1611 (w/ Shaft) Left
	P002873	Track - TTS 30-1611 (w/ Shaft) Right
P000737		Track – TTS 35-1813 Series (Pair) (18" Tracks)
P002868		Track - TTS 35-1813 (w/ Shaft) Left
	P002867	Track - TTS 35-1813 (w/ Shaft) Right

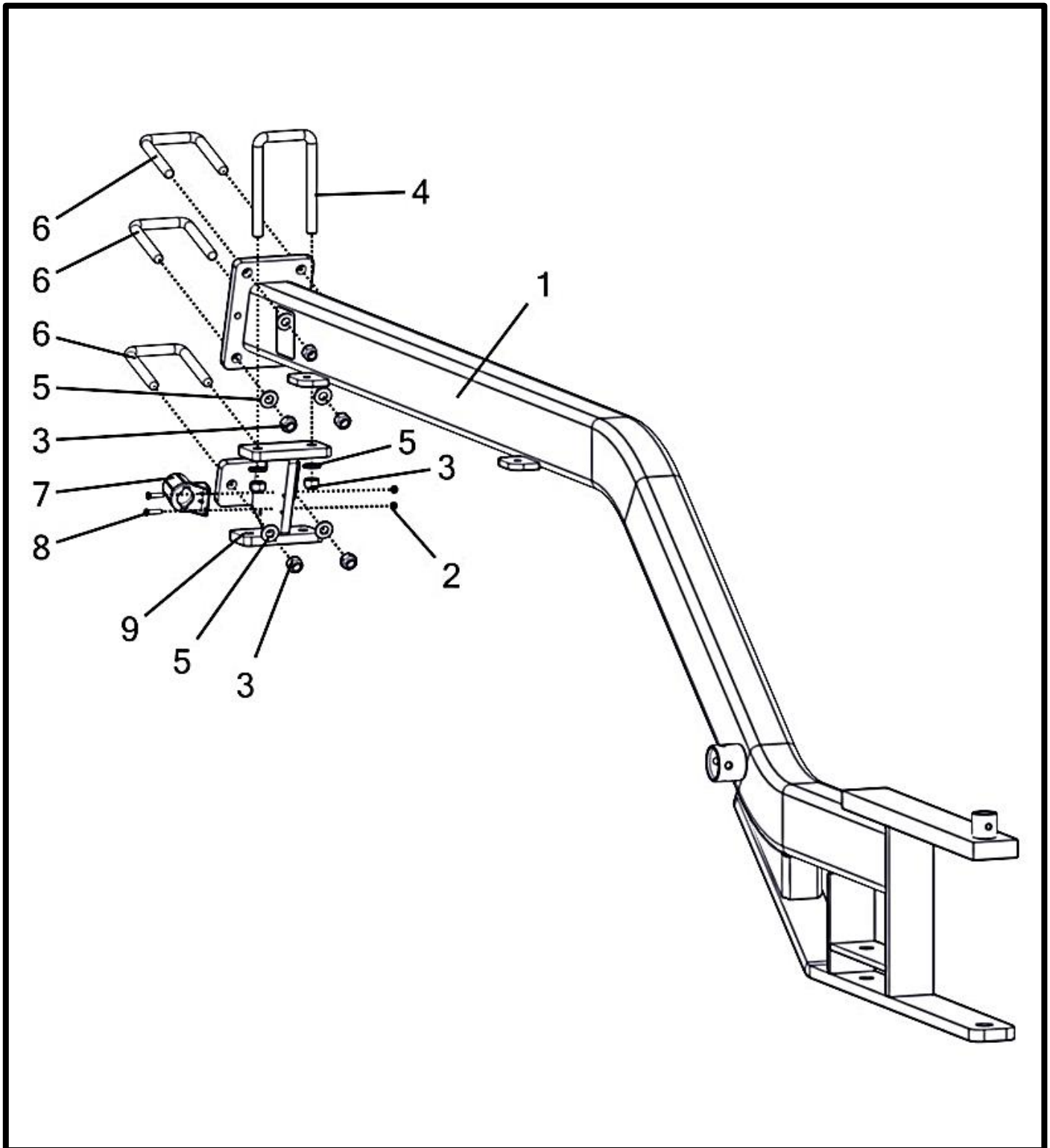
## 12 TON ARMS AND JACKS



## 12 TON ARMS AND JACKS

Item No.	Qty	Part Number	Description
1	2	P000138	Jack - 8000 lbs. Drop
2	1	A002637__	Arm - Gooseneck RH 9 & 12 Ton w/Decal
3	1	A002639__	Arm - Gooseneck LH 9 & 12 Ton w/Decal

## 12 TON REPLACEMENT ARM ASSEMBLIES



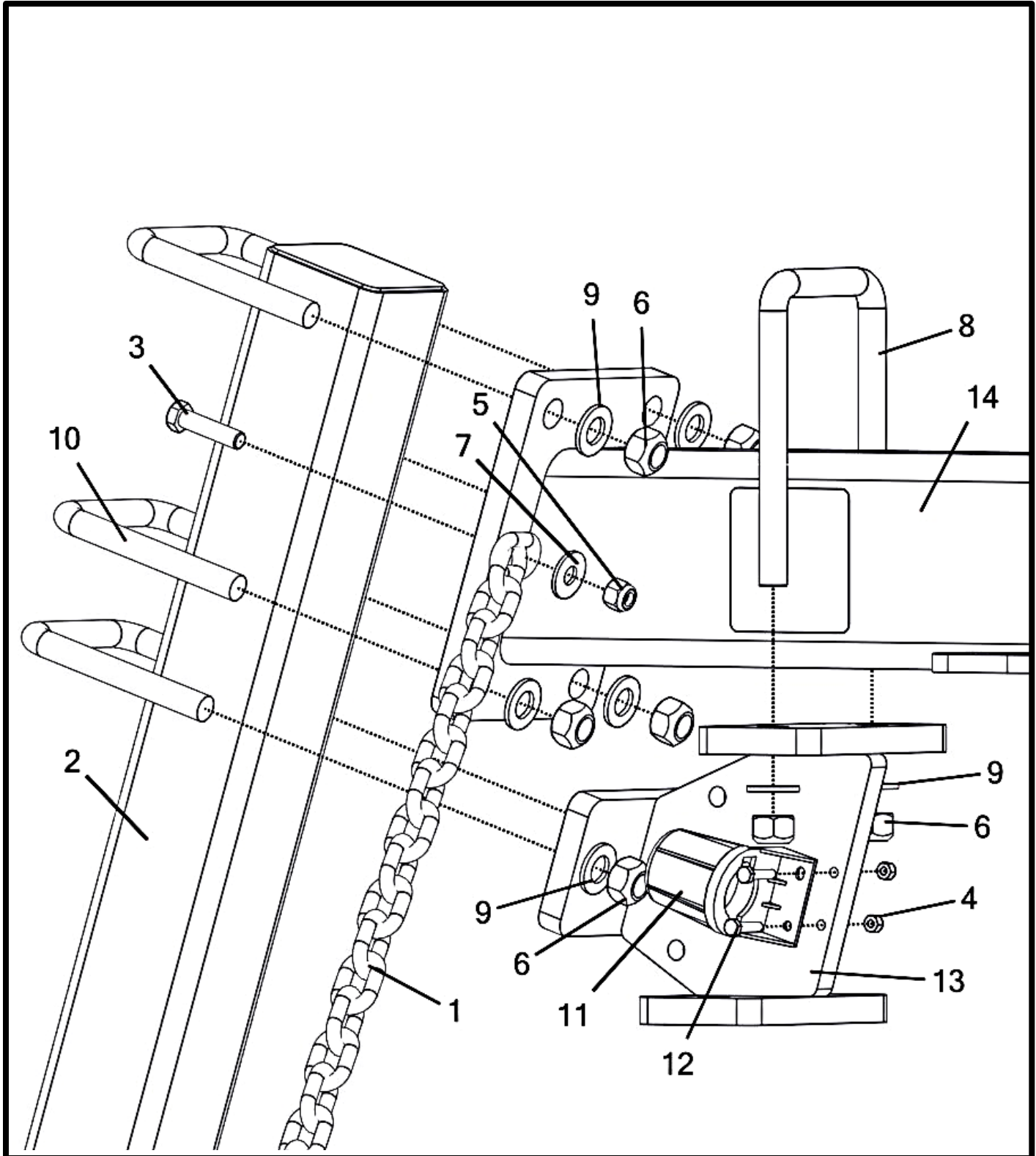


## 12 TON REPLACEMENT ARM ASSEMBLIES

Item No.	Qty	Part Number	Description
		<b>(N) A002638__</b>	<b>Arm - Gooseneck LH (9 &amp; 12 Ton) (Shown)</b>
		<b>(N) A002636__</b>	<b>Arm - Gooseneck RH (9 &amp; 12 Ton)</b>
1	1	<b>(N) A002639__</b>	<b>Arm - Gooseneck LH 9 &amp; 12 Ton w/Decal (Shown)</b>
	1	<b>(N) A002637__</b>	<b>Arm - Gooseneck RH 9 &amp; 12 Ton w/Decal</b>
2	2	P000056	Nut - 1/4-20 Hex Nylon Lock (GR 5 M/S FA)
3	8	P000061	Nut - 3/4-10 Hex Metal Lock (GR 5 M/S FA)
4	1	P000430	U-Bolt - 3/4" x 4-1/8" x 8
5	8	P000766	Washer - 3/4" SAE Flat (1.469" OD) (GR 5 M/S FA)
6	3	P002285	U-Bolt - 3/4" x 4-1/8" x 6"
7	1	P002390	Holder - Light Harness Plug
8	2	P002427	Bolt - 1/4-20 x 1.25 x 0.75 Hex (GR 5 M/S FA)
9	1	W002396__	Support - Universal Arm Gusset

Hardware Shown Is Included With Assembly

## 12 TON COUPLERS AND GUSSETS



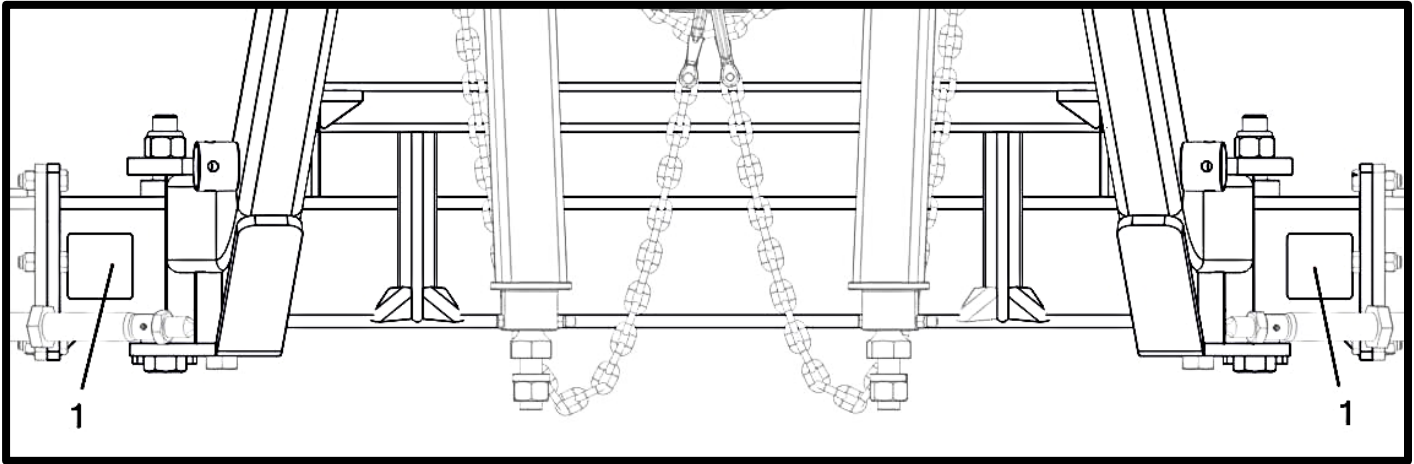
## 12 TON COUPLERS AND GUSSETS

Item No.	Qty	Part Number	Description
1	2	A000001	Safety Chain Assembly
2	2	A000034__	Hitch - Adj. Ball
3	4	P000042	Bolt - 1/2-13 x 2 x 1.25 Hex (GR 5 M/S FA) †
4	2	P000056	Nut - 1/4-20 Hex Nylon Lock (GR 5 M/S FA) * †
5	4	P000058	Nut - 1/2-13 Hex Nylon Lock (GR 5 M/S FA) †
6	16	P000061	Nut - 3/4-10 Hex Metal Lock (GR 5 M/S FA) †
7	4	P000067	Washer - 1/2" USS Flat (1.375" OD) (GR 5 M/S FA) †
8	2	P000430	U-Bolt - 3/4" x 4-1/8" x 8
9	16	P000766	Washer - 3/4" SAE Flat (1.469" OD) (GR 5 M/S FA) †
10	6	P002285	U-Bolt - 3/4" x 4-1/8" x 6"
11	1	P002390	Holder - Light Harness Plug *
12	2	P002427	Bolt - 1/4-20 x 1.25 x 0.75 Hex (GR 5 M/S FA) * †
13	2	W002396__	Support - Universal Arm Gusset
14	1	<b>(N)</b> A002639__	Arm - Gooseneck LH 9 & 12 Ton w/Decal <b>(Shown)</b>
	1	<b>(N)</b> A002637__	Arm - Gooseneck RH 9 & 12 Ton w/Decal

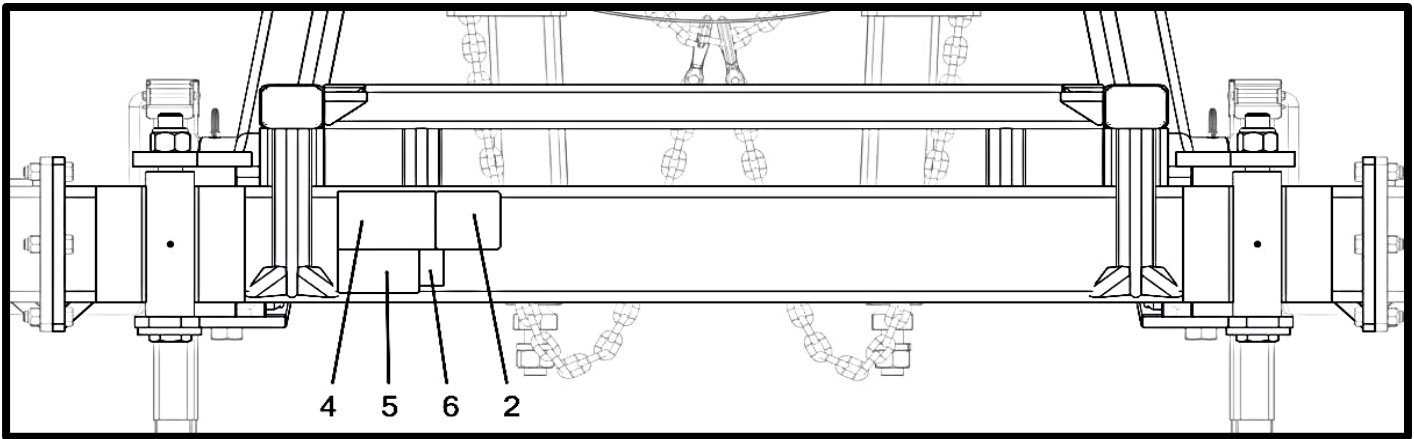
Parts With Asterisk (\*) Used With A002453\_\_ Only

(†) Included In **(N)** K002590 - Kit - 12 Ton Cart Hardware

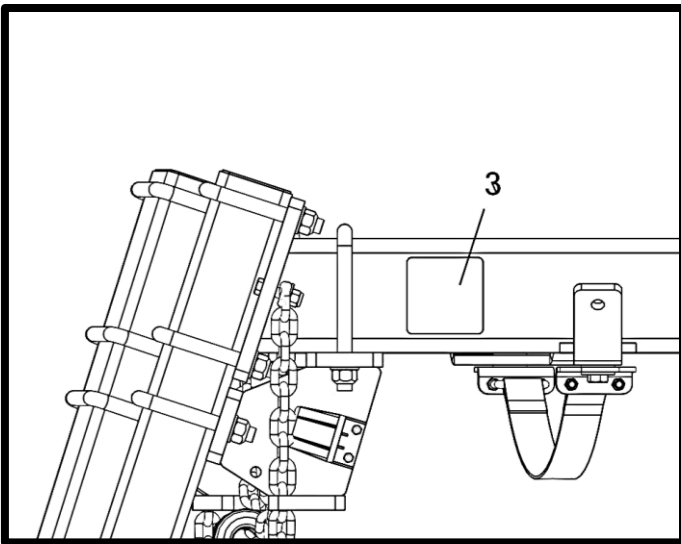
### DECALS



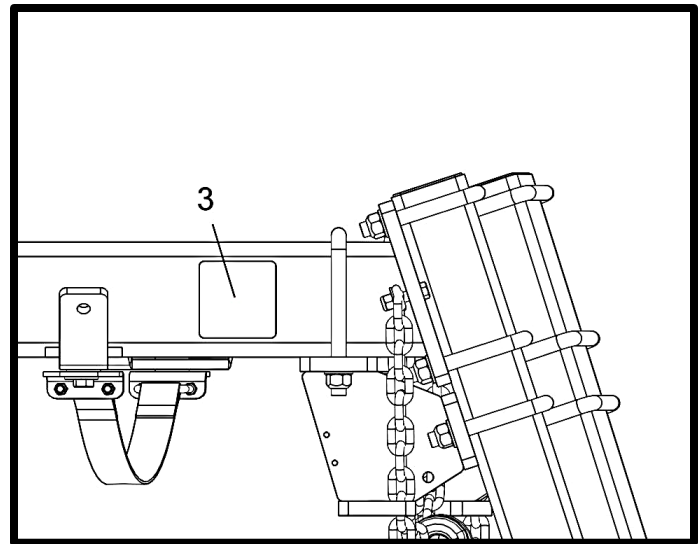
### FRONT



### REAR



### LEFT

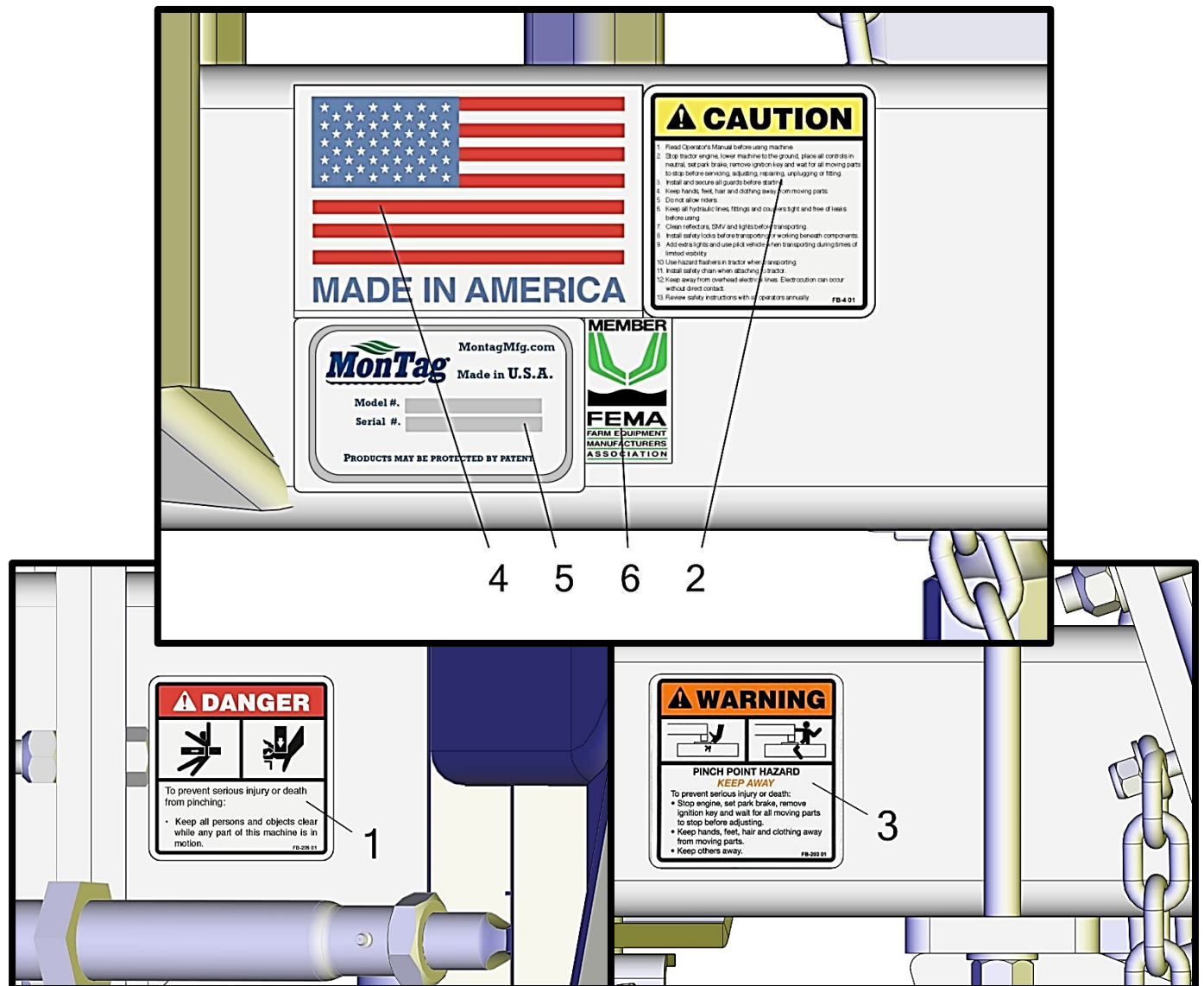


### RIGHT

## DECALS

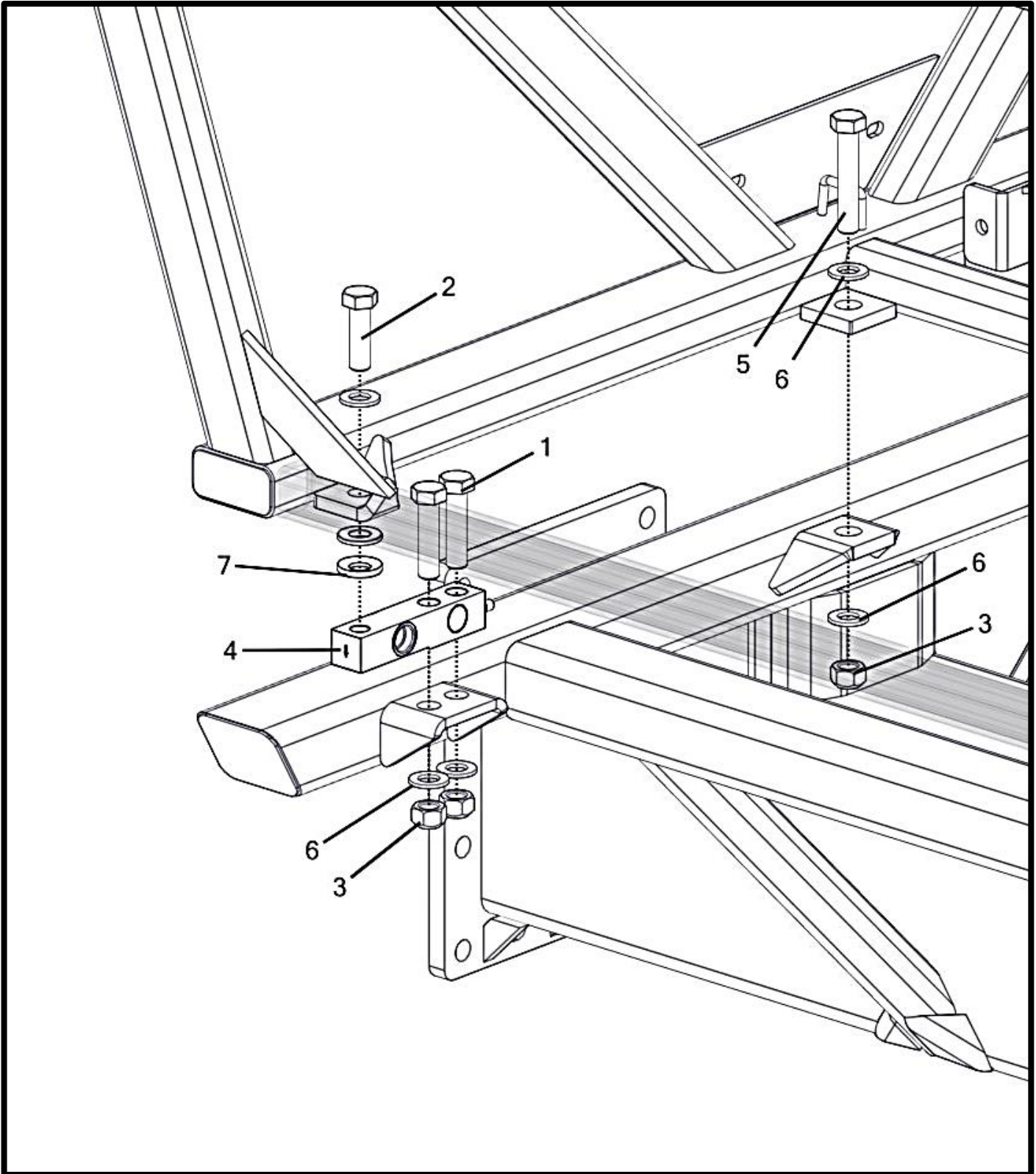
Item No.	Qty	Part Number	Description
1	2	P000189	Decal - Pinching Danger *
2	1	P000190	Decal - Read the Manual *
3	2	P000194	Decal - Crushing Hazard *
4	1	P000201	Decal - USA Flag *
5	1	P000202	Serial Tag
6	1	P000273	Decal - Fema

(\* ) Included In K000033 - Kit - Cart Decal



# MOUNTING (GEN 1) - SCALE KIT AND SAFETY BOLT

(SOME COMPONENTS HIDDEN FOR CLARITY)



**MOUNTING (GEN 1) - SCALE KIT AND SAFETY BOLT**

(SOME COMPONENTS HIDDEN FOR CLARITY)

Item No.	Qty	Part Number	Description
1	8	P000047	Bolt - 3/4-10 x 3 x 1.75 Hex (GR 5 M/S FA) * †
2	4	P000055	Bolt - 3/4-16 x 2.5 x 1.75 Hex (GR 5 M/S FA) * †
3	10	P000061	Nut - 3/4-10 Hex Metal Lock (GR 5 M/S FA) * †
4	4	P000248	Scale - Load Cell (10K)
5	2	P000481	Bolt - 3/4-10 x 4 x 1.75 Hex (GR 5 M/S FA) * †
6	16	P000766	Washer - 3/4" SAE Flat (1.469" OD) (GR 5 M/S FA) * †
7	4	P002146	Washer - 3/4" Self Aligning * †

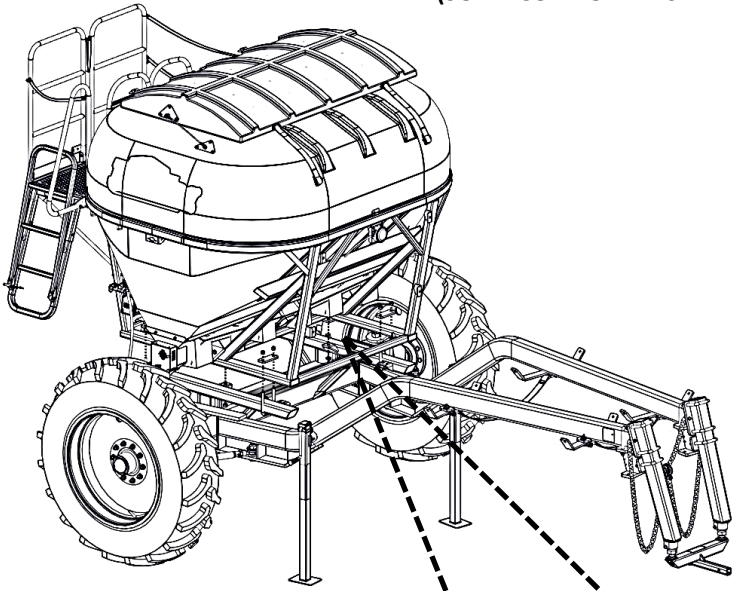
(\*) Included In K000012 - Kit - Scale Hardware

Or

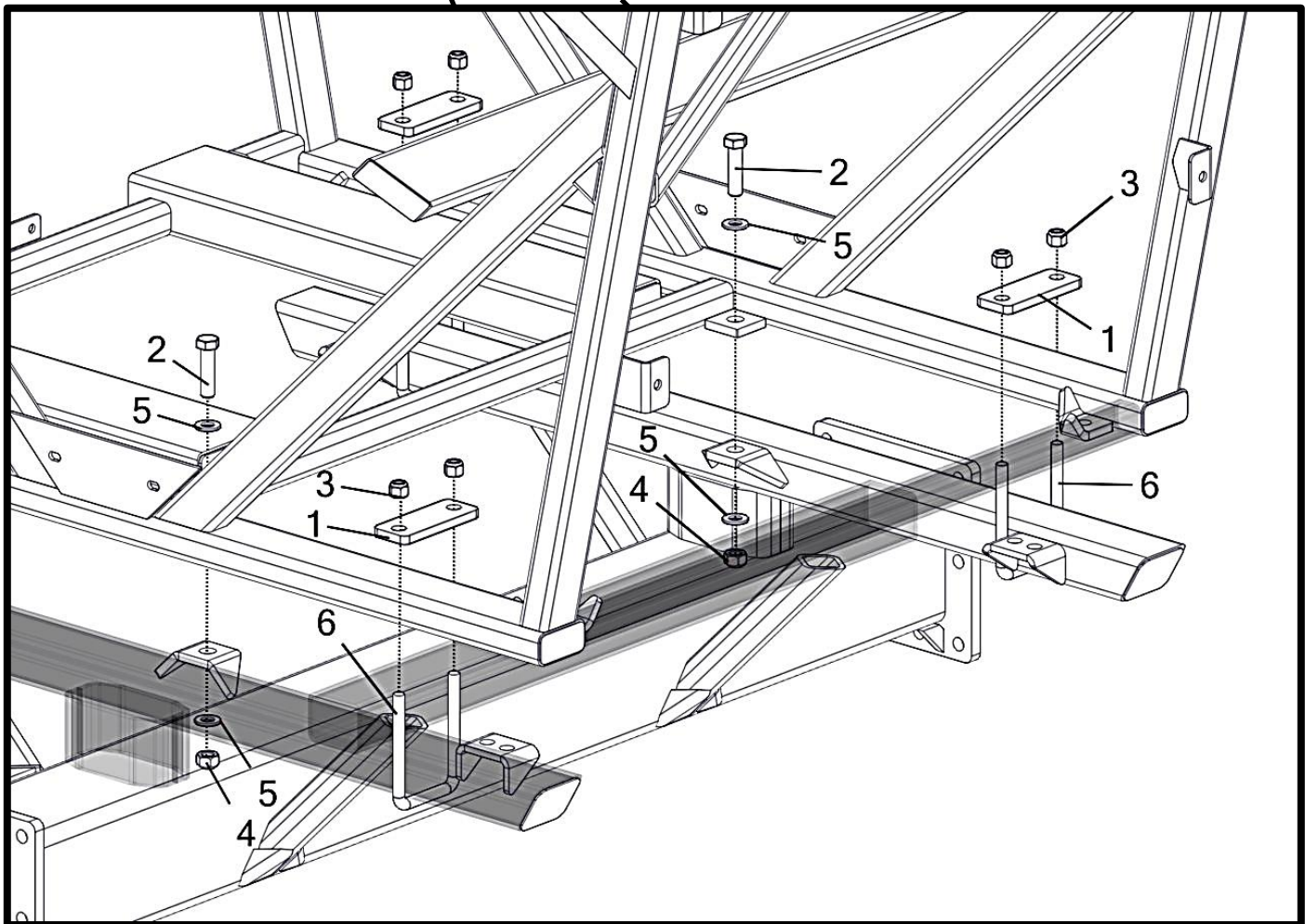
(\*) K002061 - Kit - Scale Hardware (1 Bin Iso) (Iso) (†)

# MOUNTING (GEN 1 AND LIQUID SYSTEMS) - NO SCALE KIT

(SOME COMPONENTS HIDDEN FOR CLARITY)



DRY UNIT





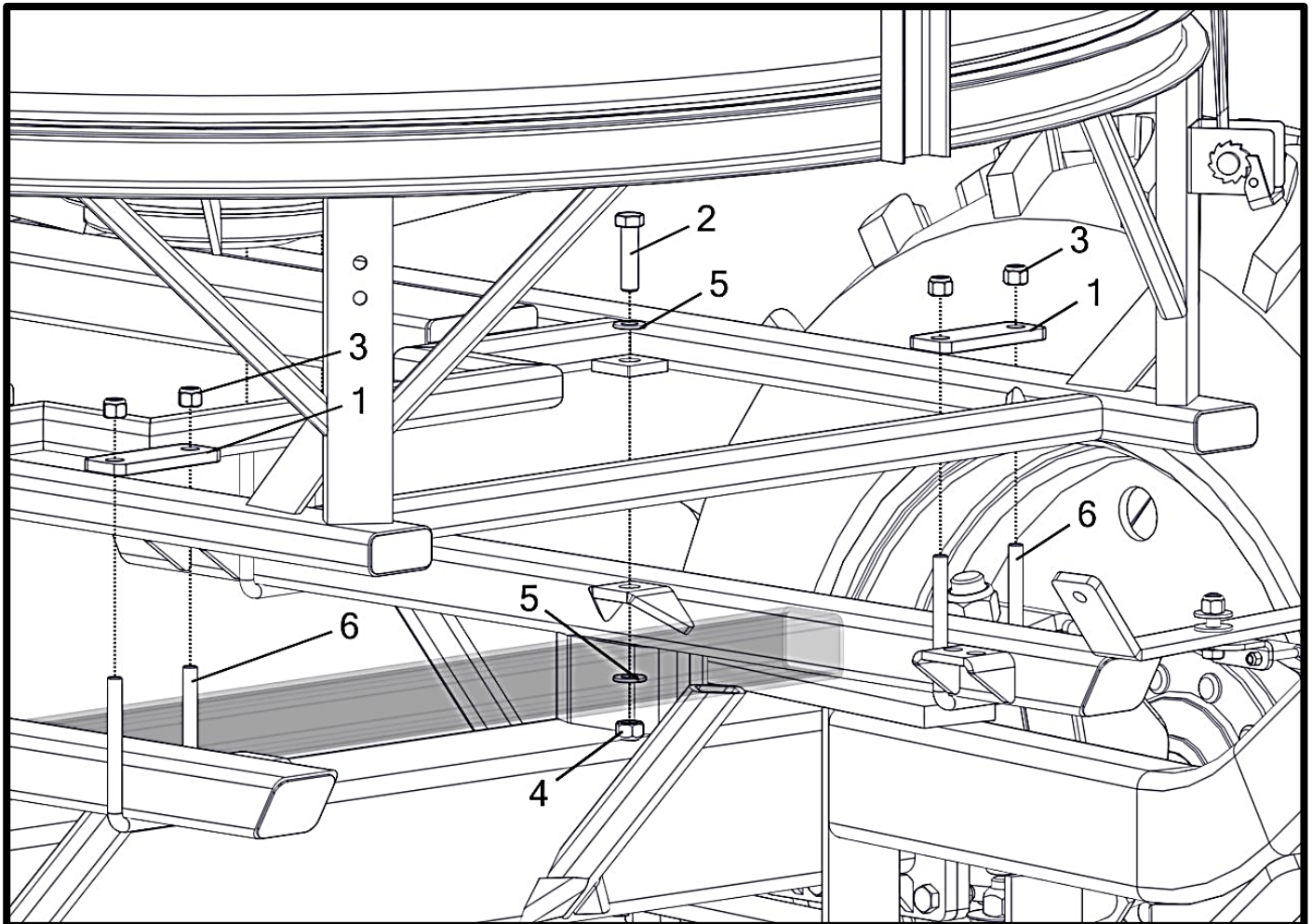
## MOUNTING (GEN 1 AND LIQUID SYSTEMS) - NO SCALE KIT

(SOME COMPONENTS HIDDEN FOR CLARITY)

Item No.	Qty	Part Number	Description
		A000068__	Cart/Unit Mounting Hardware Kit
1	4	M000334__	Clamp - 4" U-Bolt
2	2	P000047	Bolt - 3/4-10 x 3 x 1.75 Hex (GR 5 M/S FA) *
3	8	P000060	Nut - 5/8-11 Hex Nylon Lock (GR 5 M/S FA) *
4	2	P000061	Nut - 3/4-10 Hex Metal Lock (GR 5 M/S FA) *
5	4	P000069	Washer - 3/4" USS Flat (2" OD) (GR 5 M/S FA) *
6	4	P000084	U-Bolt - 5/8" x 4-1/8" x 6-1/2"

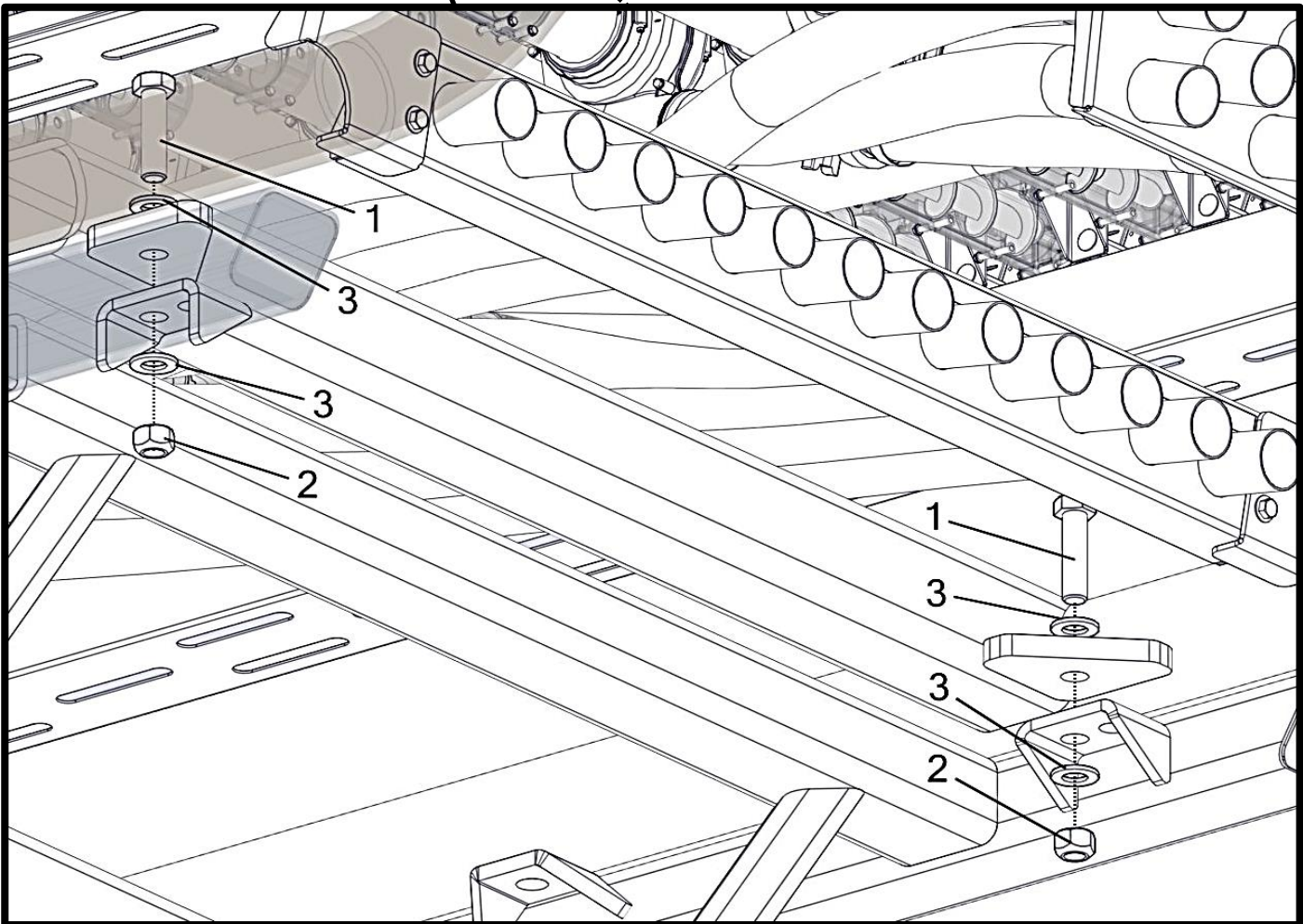
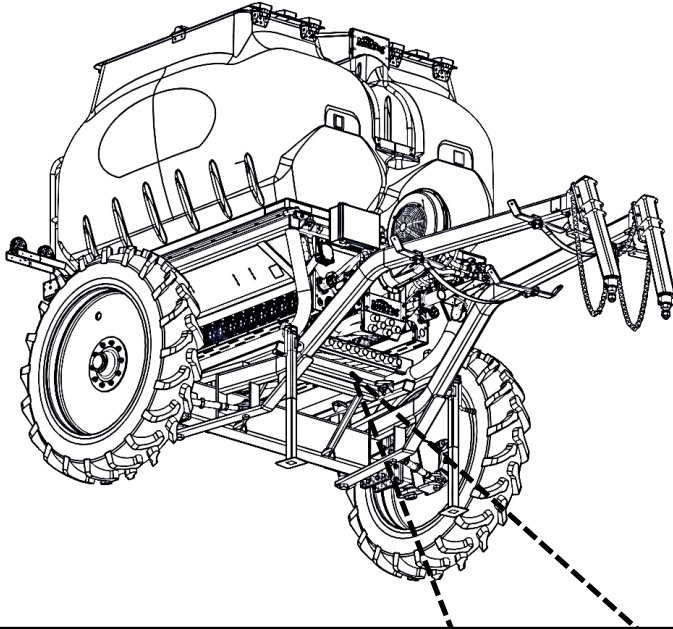
(\* ) Included In K000029 - Kit - Unit/Cart Mounting Hardware

### LIQUID UNIT



## MOUNTING (GEN 2)

(SOME COMPONENTS HIDDEN FOR CLARITY)



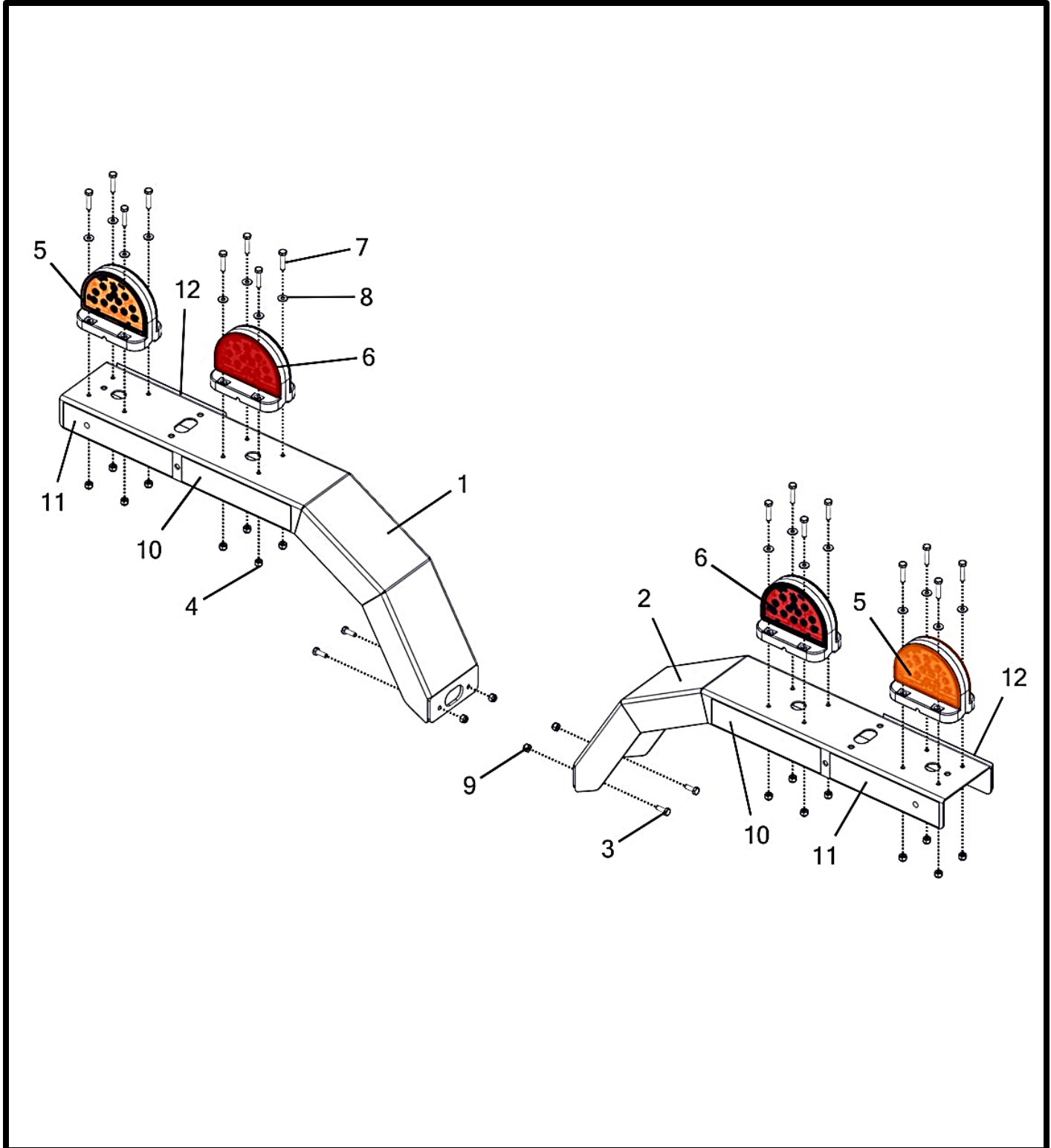
## **MOUNTING (GEN 2)**

(SOME COMPONENTS HIDDEN FOR CLARITY)

Item No.	Qty	Part Number	Description
1	4	P000047	Bolt - 3/4-10 x 3 x 1.75 Hex (GR 5 M/S FA) *
2	4	P000061	Nut - 3/4-10 Hex Metal Lock (GR 5 M/S FA) *
3	8	P000766	Washer - 3/4" SAE Flat (1.469" OD) (GR 5 M/S FA) *

(\*) Included In K002075 - Kit - Gen 2 Mounting Hardware

# LIGHT KIT (LED W/ HIGH-RISE MOUNTS AND SAFETY MODULE) (GEN 2 ONLY)



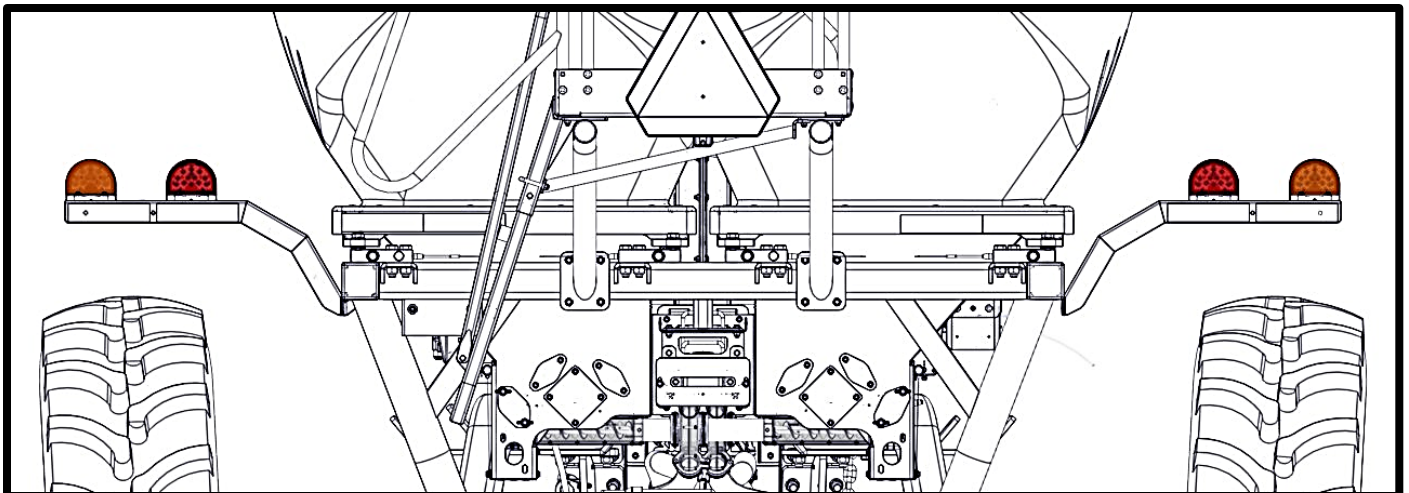
## LIGHT KIT (LED W/ HIGH-RISE MOUNTS AND SAFETY MODULE) (GEN 2 ONLY)

Item No.	Qty	Part Number	Description
		<b>A002216__</b>	<b>Light Kit - Complete (LED W/ High-rise Mounts And Safety Module) (Gen 2 Only)</b>
1	1	A002214__	Bracket - High-Rise Light Mount Assembly (Left)
2	1	A002215__	Bracket - High-Rise Light Mount Assembly (Right)
3	4	P000075	Nut - 5/16-18 Hex Nylon Lock (GR 5 M/S FA) †
4	16	P000056	Nut - 1/4-20 Hex Nylon Lock (GR 5 M/S FA) †
5	2	P002134	Light - Amber Safety Lighting (01-5615-72) *
6	2	P002135	Light - Red Safety Lighting (01-4618-72) *
7	16	P002427	Bolt - 1/4-20 x 1.25 x 0.75 Hex (GR 5 M/S FA) †
8	16	P002466	Washer - 1/4" SAE Flat (0.625" OD) (GR 5 M/S FA) †
9	4	P000318	Bolt - 5/16-18 x 0.75 x 0.75 Hex (GR 5 M/S FA) †
10	2	P000197	Tape - Reflective Orange ‡
11	2	P000198	Tape - Reflective Red ‡
12	2	P000199	Tape - Reflective Yellow ‡

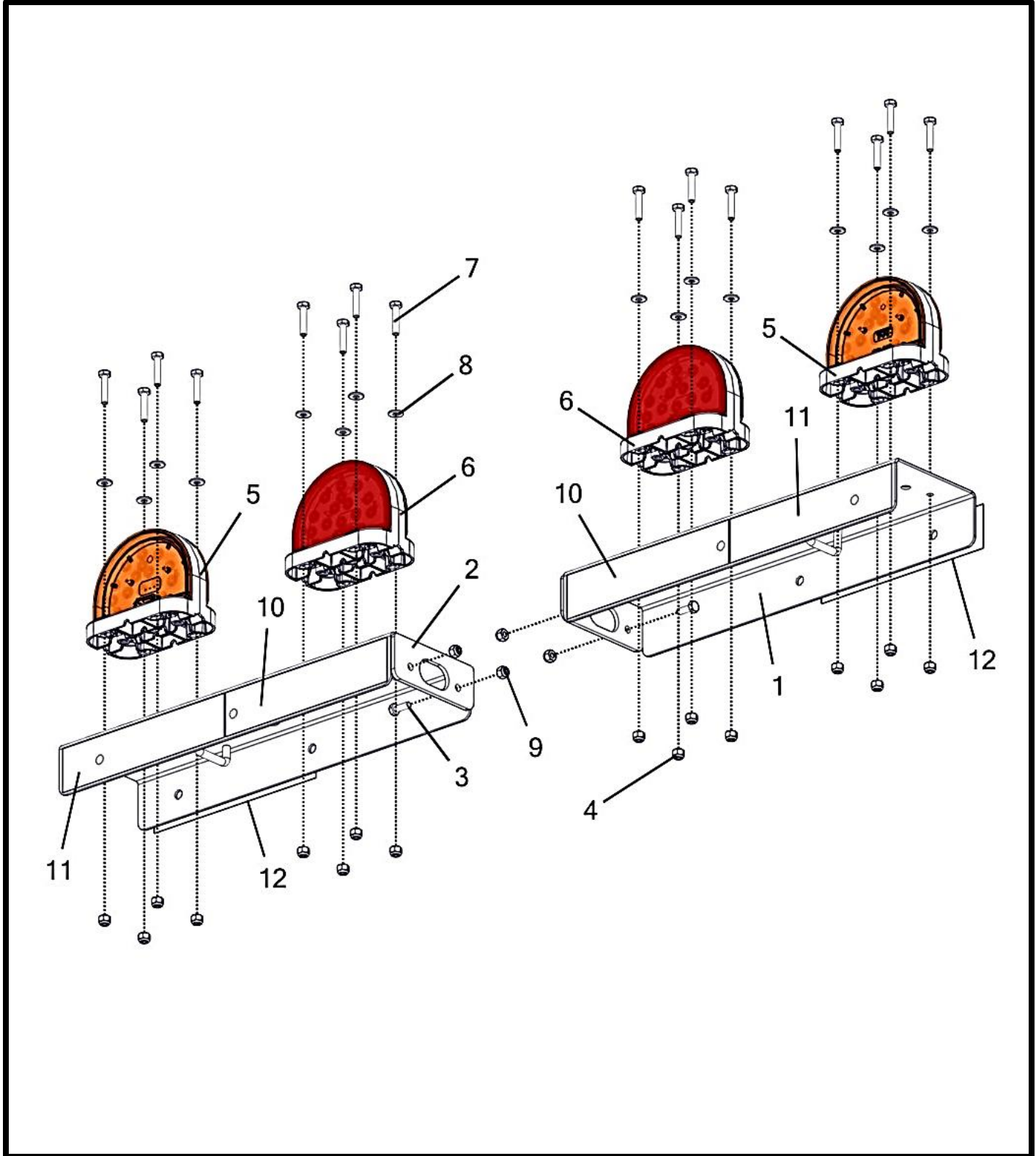
(\* ) Lights And Harnesses Are Included In K000165 - Lighting Kit - Safety Flashing (W/Lights)

(†) Included In K002166 - Kit - Light Mount Hardware

(‡) Included In  
A002214\_\_ - Bracket - High-rise Light Mount Assembly (Left)  
Or  
A002215\_\_ - Bracket - High-rise Light Mount Assembly (Right)



# LIGHT KIT COMPLETE (LED W/ SAFETY MODULE) (GEN 1 ONLY)



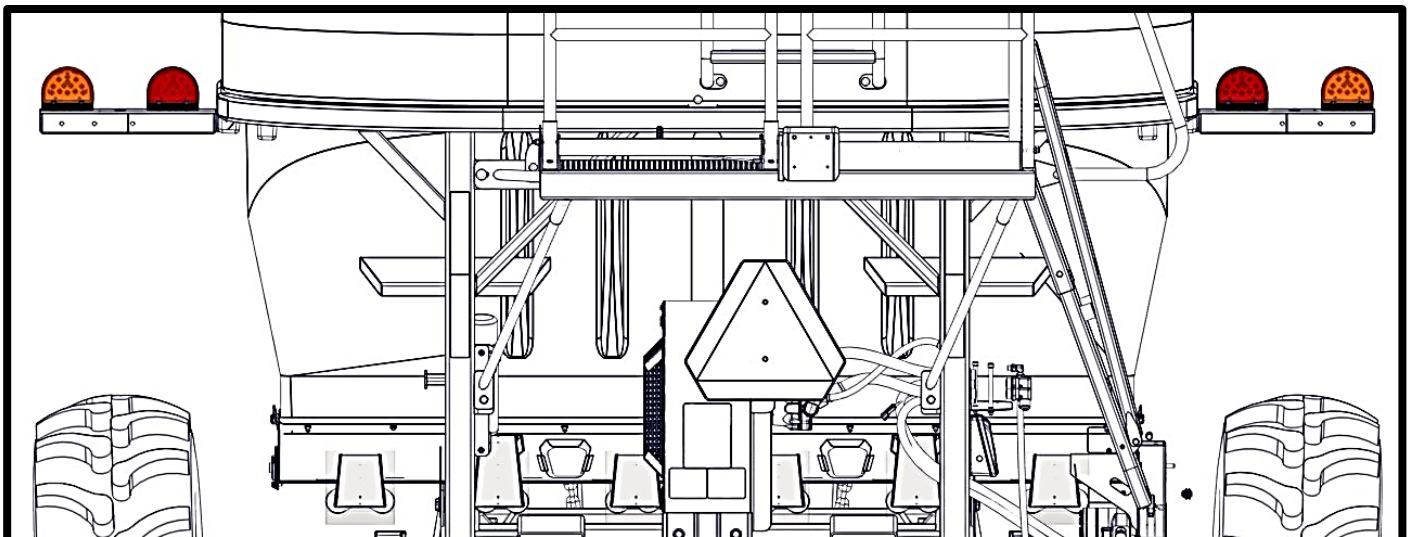
**LIGHT KIT  
COMPLETE (LED W/ SAFETY MODULE) (GEN 1 ONLY)**

Item No.	Qty	Part Number	Description
		<b>A002184__</b>	<b>Light Kit - Complete (LED W/ Safety Module)(Gen 1 Only)</b>
1	1	A002396__	Bracket - Light Mount Assembly (Right)
2	1	A002397__	Bracket - Light Mount Assembly (Left)
3	4	P000075	Nut - 5/16-18 Hex Nylon Lock (GR 5 M/S FA) †
4	16	P000056	Nut - 1/4-20 Hex Nylon Lock (GR 5 M/S FA) †
5	2	P002134	Light - Amber Safety Lighting (01-5615-72) *
6	2	P002135	Light - Red Safety Lighting (01-4618-72) *
7	16	P002427	Bolt - 1/4-20 x 1.25 x 0.75 Hex (GR 5 M/S FA) †
8	16	P002466	Washer - 1/4" SAE Flat (0.625" OD) (GR 5 M/S FA) †
9	4	P000318	Bolt - 5/16-18 x 0.75 x 0.75 Hex (GR 5 M/S FA) †
10	2	P000197	Tape - Reflective Orange ‡
11	2	P000198	Tape - Reflective Red ‡
12	2	P000199	Tape - Reflective Yellow ‡

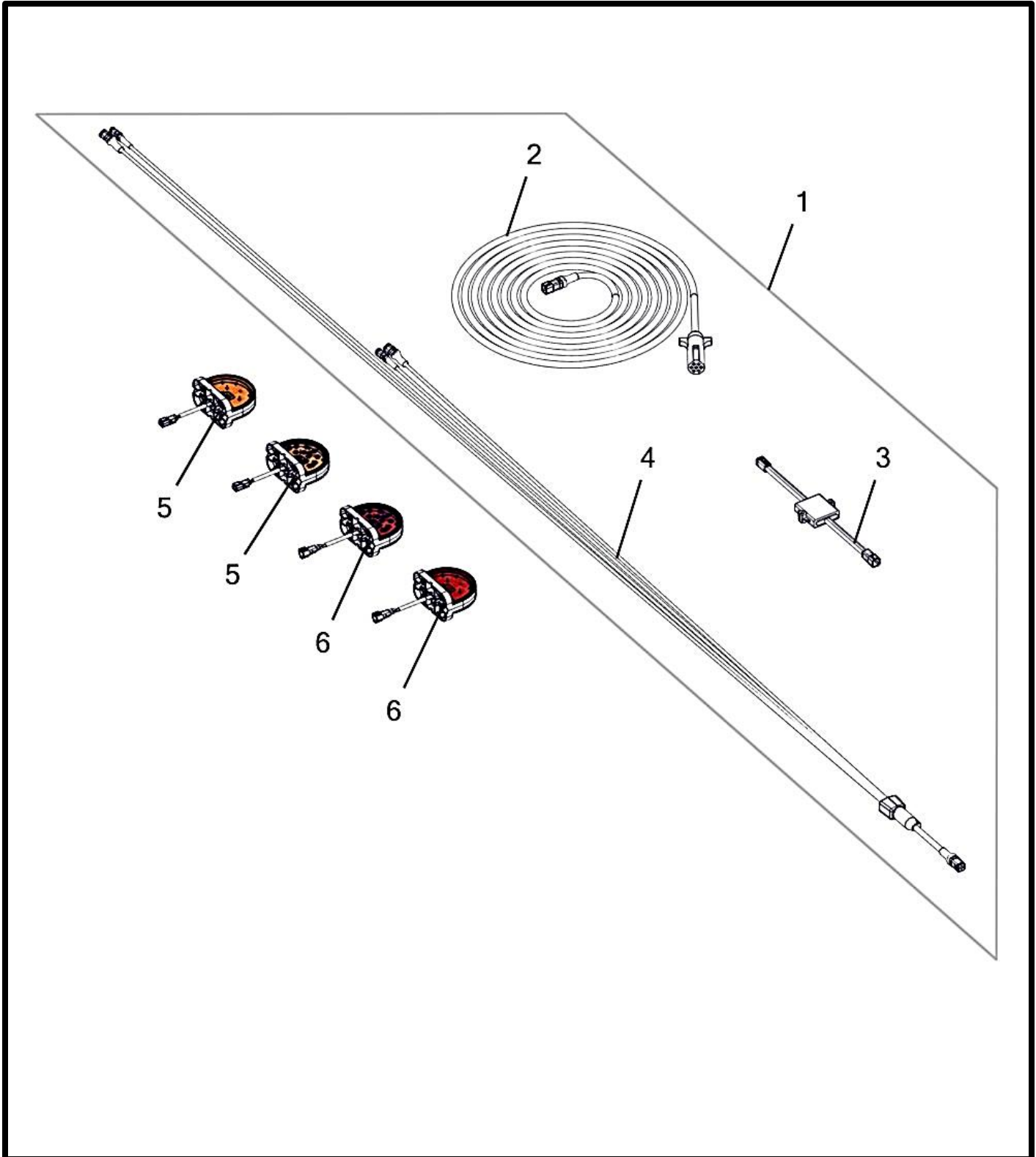
(\* ) Lights And Harnesses Are Included In K000165 - Lighting Kit - Safety Flashing (W/Lights)

(†) Included In K002166 - Kit - Light Mount Hardware

(‡) Included In  
A002396\_\_ - Bracket - Light Mount Assembly (Right)  
Or  
A002397\_\_ - Bracket - Light Mount Assembly (Left)



# LIGHTING KIT SAFETY FLASHING (W/LIGHTS)



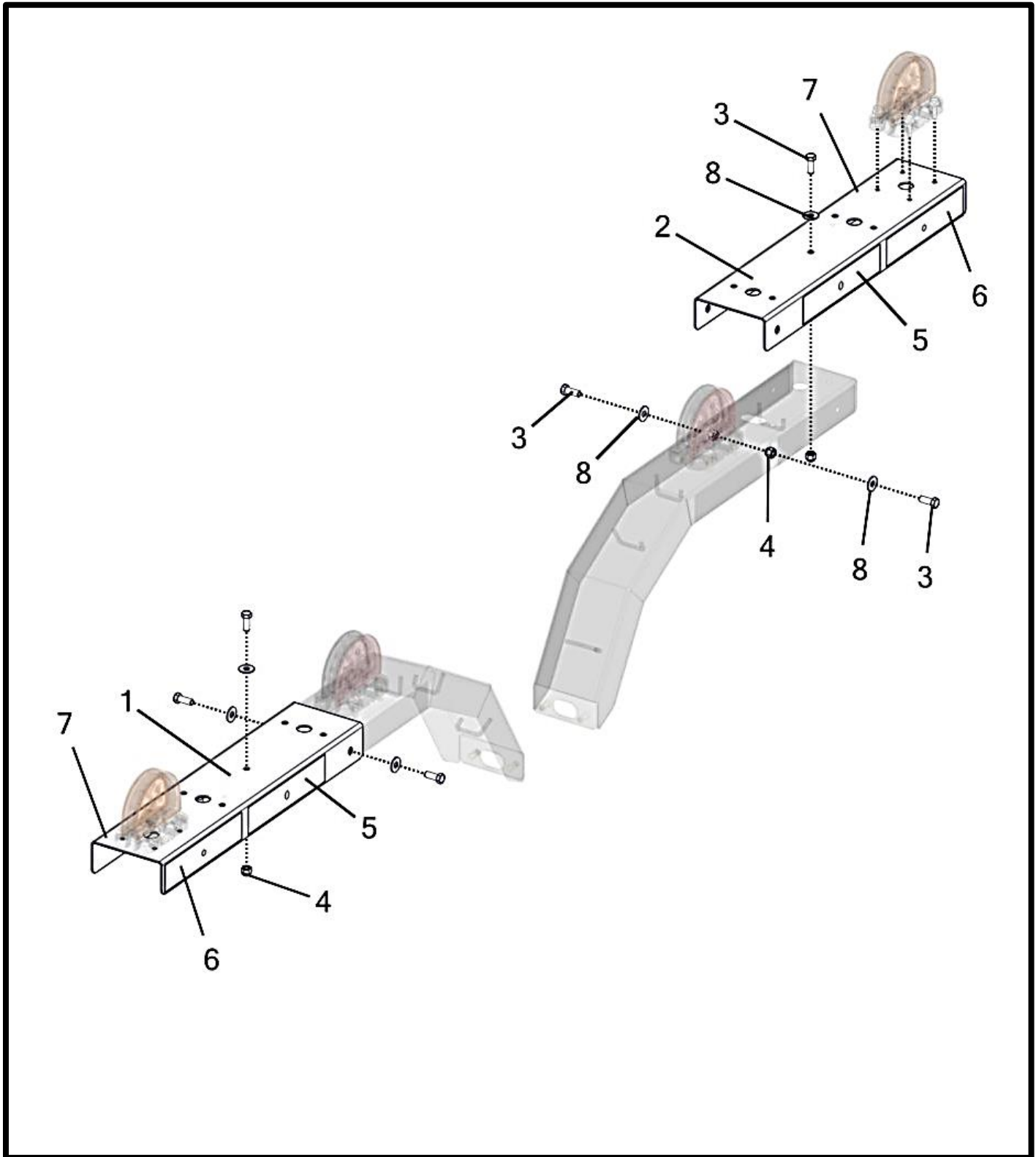


## LIGHTING KIT SAFETY FLASHING (W/LIGHTS)

Item No.	Qty	Part Number	Description
		<b>K000165</b>	<b>Lighting Kit - Safety Flashing (W/Lights)</b>
1	1	K000163	Harness Kit - Standard Safety Lighting (01-6657-T6)
2	1	P002130	Harness - Main Lighting Plug w/ DT04-6P (01-6605-L7) *
3	1	P002131	Harness - Lighting Module Flasher Control (01-4457-75) *
4	1	P002132	Harness - Safety Lighting (01-6752-M7) *
5	2	P002134	Light - Amber Safety Lighting (01-5615-72)
6	2	P002135	Light - Red Safety Lighting (01-4618-72)

(\*) Included In K000163 - Harness Kit - Standard Safety Lighting

### EXTENSION LIGHT MOUNT KIT



## EXTENSION LIGHT MOUNT KIT

Item No.	Qty	Part Number	Description
		<b>K002067__</b>	<b>Kit - Light Mount Extension</b>
1	1	A002217__	Bracket - Light Mount Extension Assembly (Left)
2	1	A002218__	Bracket - Light Mount Extension Assembly (Right)
3	6	P000039	Bolt - 3/8-16 x 1 x 1 Hex (GR 5 M/S FA) *
4	6	P000057	Nut - 3/8-16 Hex Nylon Lock (GR 5 M/S FA) *
5	2	P000197	Tape - Reflective Orange †
6	2	P000198	Tape - Reflective Red †
7	4	P000199	Tape - Reflective Yellow †
8	6	P000752	Washer - 3/8" USS Flat (1" OD) (GR 5 M/S FA) *

(\* ) Included In K002066 - Kit - Light Mount Extension Hardware

(†) Included In A002217\_\_ - Bracket - Light Mount Extension Assembly (Left)

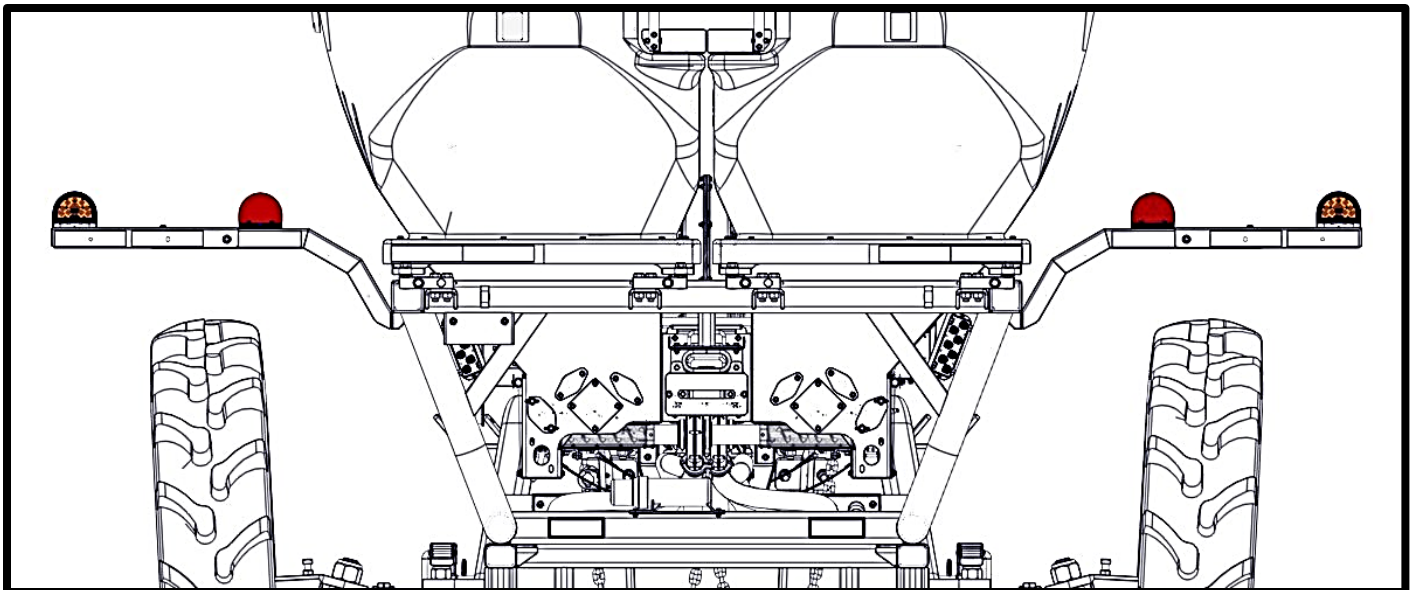
Or

A002218\_\_ - Bracket - Light Mount Extension Assembly (Right)

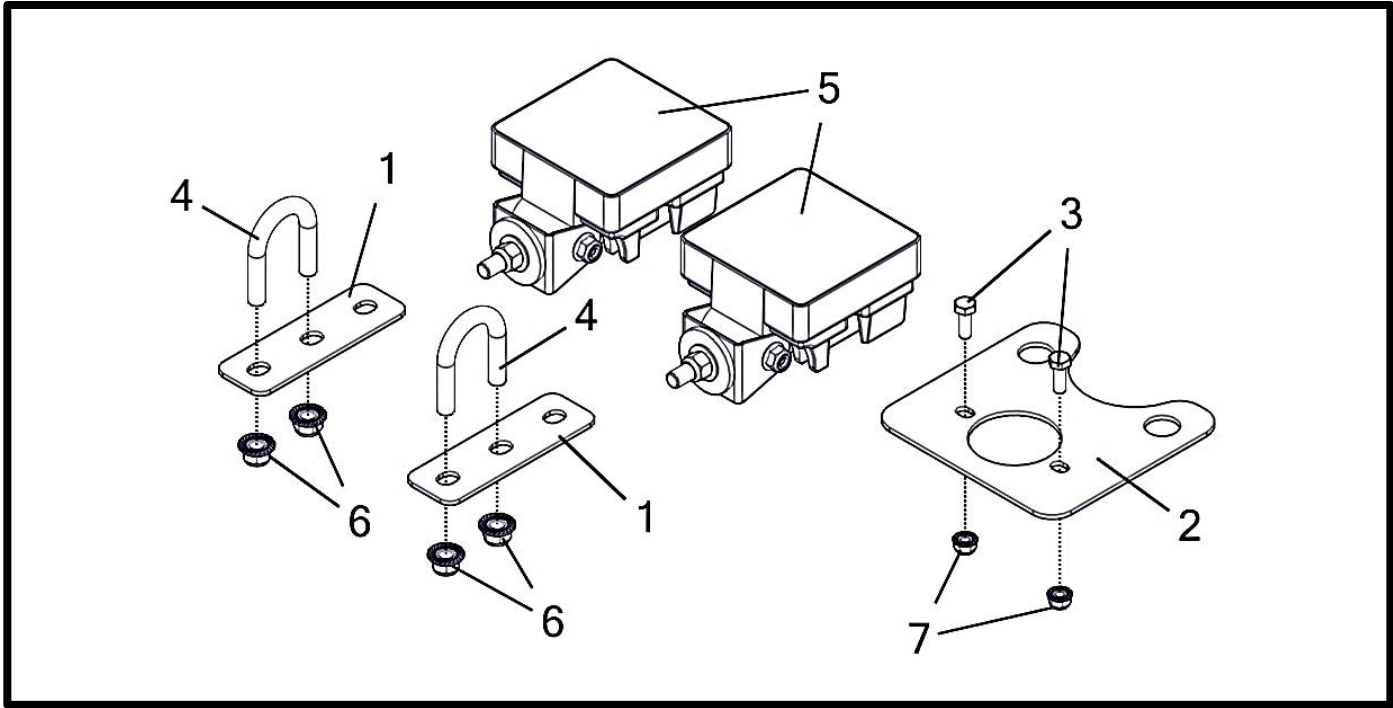
Compatible W/Gen 1 And Gen 2 Lights, Attaches To  
A002216\_\_ Kit - Gen 2 Safety Light (Single Light Housings)

Or

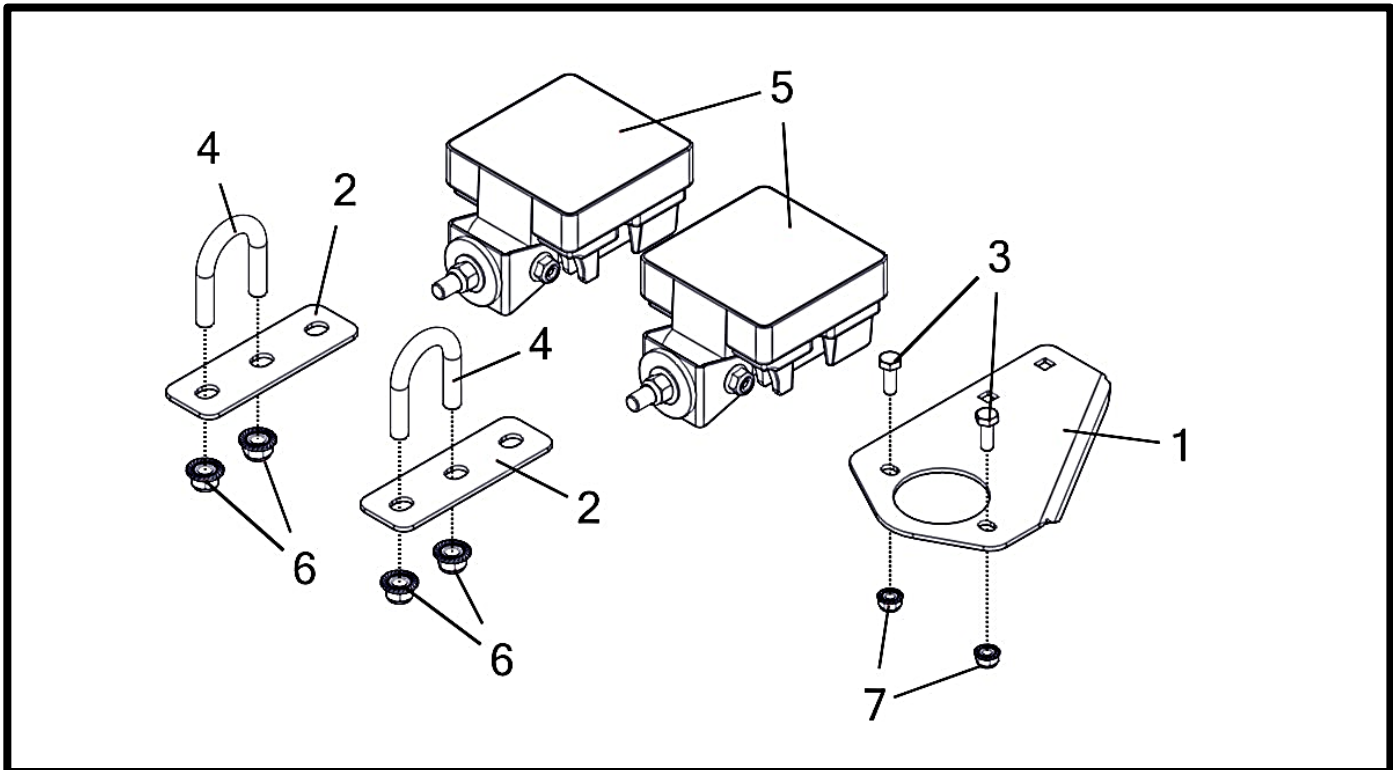
A002184\_\_ Kit - Gen 1 / Liquid Safety Light (Single Light Housings)



### AUXILIARY WORK LIGHT - GEN 2



### AUXILIARY WORK LIGHT - GEN 1



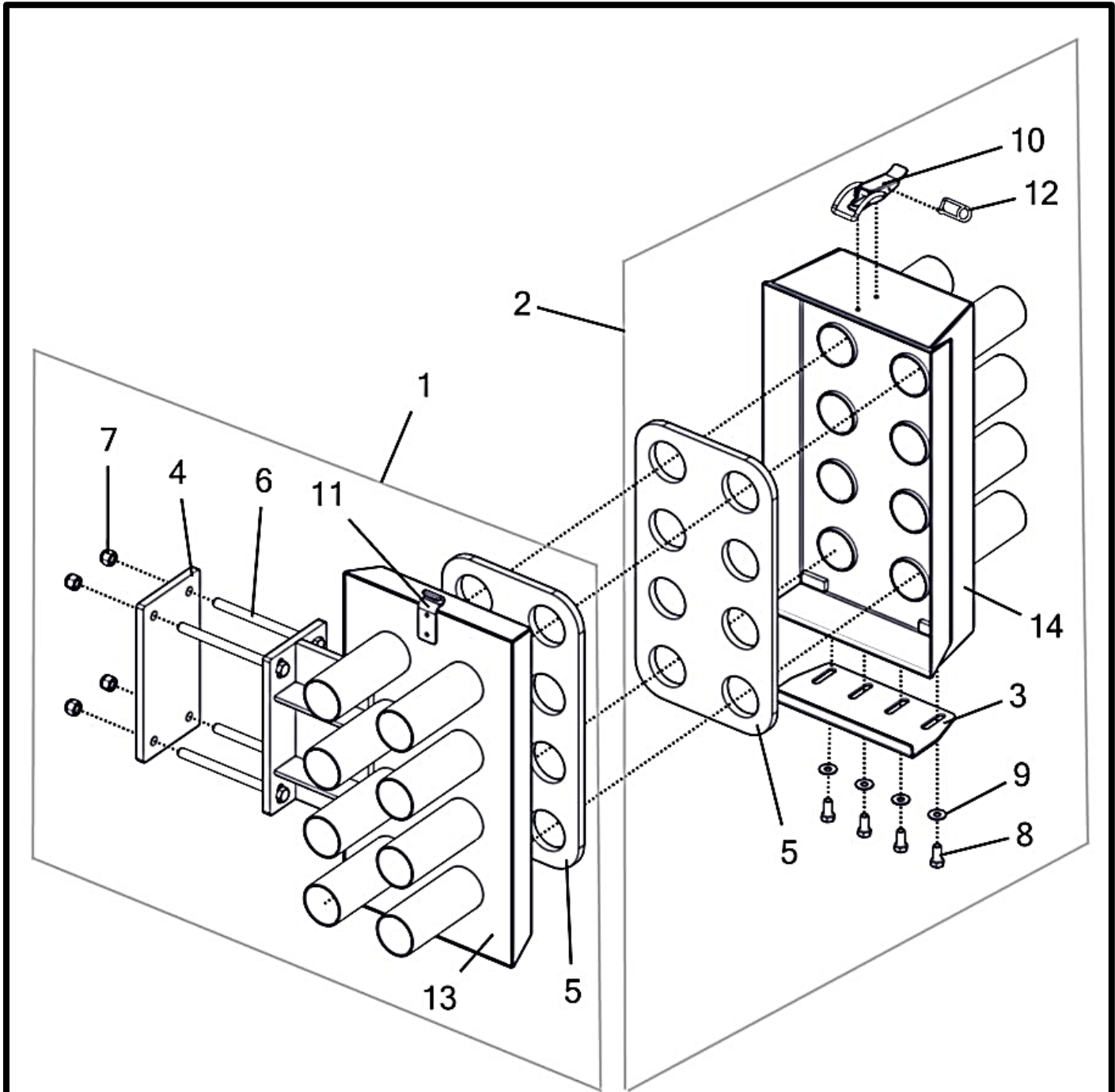
## AUXILIARY WORK LIGHT - GEN 2

Item No.	Qty	Part Number	Description
		<b>K002145__</b>	<b>Kit - Work Light Gen 2 (w/Mounts)</b>
1	2	M002390__	Bracket - Tank Work Light Mount
2	1	M002775__	Bracket - Lighting Harness Receptacle (Gen 2)
3	2	P000090	Bolt - 1/4-20 x 0.75 x 0.75 Hex (F593 304 S/S FB)
4	2	P002053	U-Bolt - 3/8" x 1-1/4" x 1-15/16"
5	2	P002189	Assembly - LED Work Light (w/Mounting Bracket)
6	4	P002225	Nut - 3/8-16 Flange Nylon Lock (18-8 S/S FB)
7	2	P002291	Nut - 1/4-20 Flange Nylon Lock (18-8 S/S FB)

## AUXILIARY WORK LIGHT - GEN 1

Item No.	Qty	Part Number	Description
		<b>K002146__</b>	<b>Kit - Work Light Gen 1 (w/Mounts)</b>
1	1	M002388__	Bracket - Lighting Harness Receptacle Mount
2	2	M002390__	Bracket - Tank Work Light Mount
3	2	P000090	Bolt - 1/4-20 x 0.75 x 0.75 Hex (F593 304 S/S FB)
4	2	P002053	U-Bolt - 3/8" x 1-1/4" x 1-15/16"
5	2	P002189	Assembly - LED Work Light (w/Mounting Bracket)
6	4	P002225	Nut - 3/8-16 Flange Nylon Lock (18-8 S/S FB)
7	2	P002291	Nut - 1/4-20 Flange Nylon Lock (18-8 S/S FB)

## QUICK DISCONNECT ASSEMBLIES QD-800



Note: Assembly is oriented upside down in this view for clarity.

## QUICK DISCONNECT ASSEMBLIES

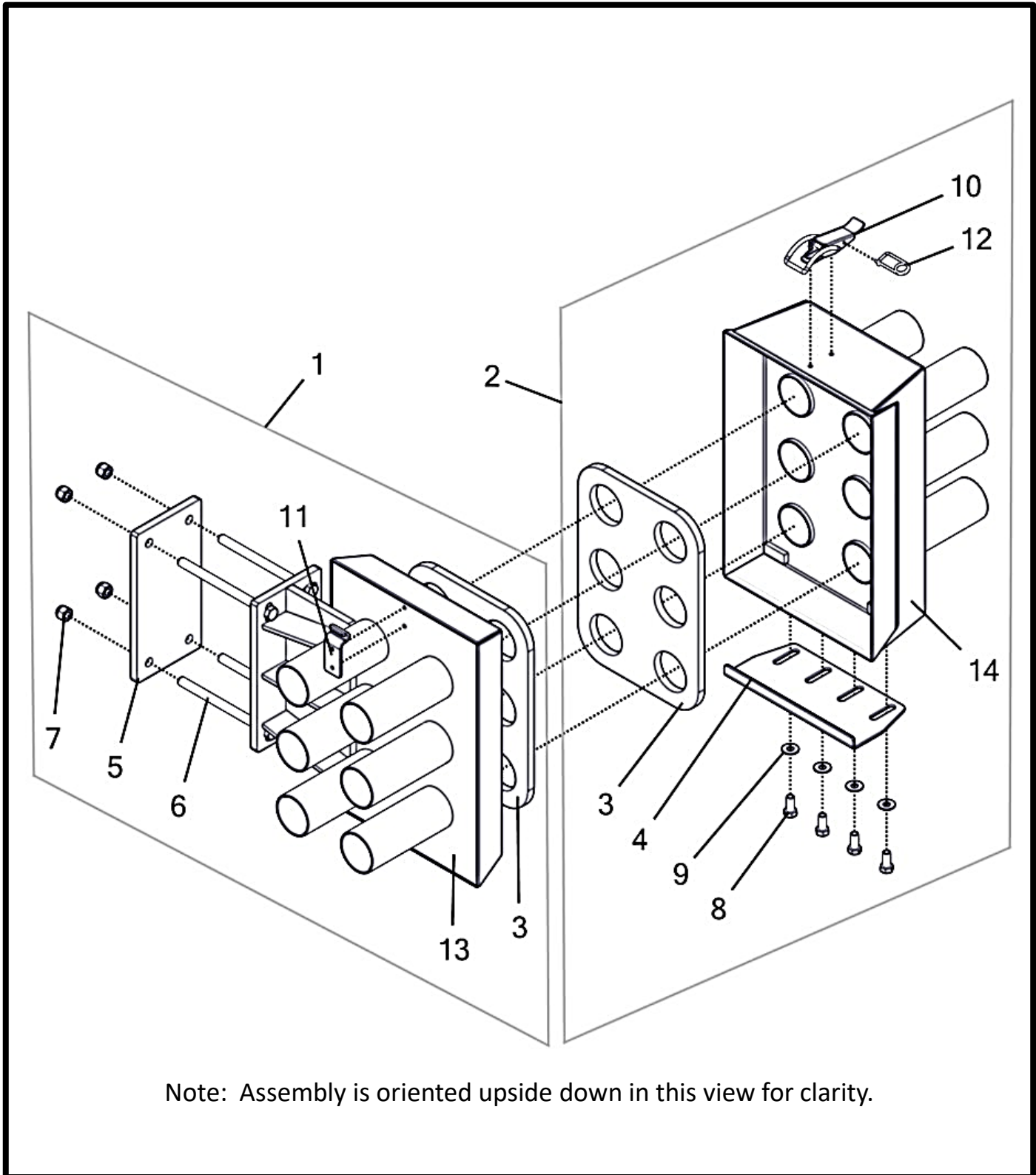
### QD-800

Item No.	Qty	Part Number	Description
		A000152__	QD-800 - 2" Complete Set (Left) (Shown)
		A000300__	QD-800 - 2" Complete Set (Right)
		A000153__	QD-800 - 2-1/2" Complete Set (Left)
		A000301__	QD-800 - 2-1/2" Complete Set (Right)
1	1	A000101__	QD-800 - 2" Male Assembly (Left) (Shown)
	1	A000103__	QD-800 - 2-1/2" Male Assembly (Left)
	1	A000296__	QD-800 - 2" Male Assembly (Right)
	1	A000297__	QD-800 - 2-1/2" Male Assembly (Right)
2	1	A000102	QD-800 - 2" Female Assembly (Shown)
	1	A000104	QD-800 - 2-1/2" Female Assembly
3	1	M000559	Plate - QD Main Catch
4	1	M000569__	Plate - QD Back Mounting
5	2	M000758	Gasket - QD-800 (2") (Shown)
	2	M000759	Gasket - QD-800 (2-1/2")
6	4	P000040	Bolt - 3/8-16 x 5.5 x 1 Hex (GR 5 M/S FA) *
7	4	P000057	Nut - 3/8-16 Hex Nylon Lock (GR 5 M/S FA) *
8	4	P000093	Bolt - 5/16-18 x 0.75 x 0.75 Hex (F593 304 S/S FB)
9	4	P000109	Washer - 5/16" Flat (0.75" OD) (18-8 S/S FB)
10	1	P000310	Latch - Draw (Non-Locking) (S/S) †
11	1	P000311	Plate - Latch (S/S) †
12	1	P000312	Pin - Wire Locking (S/S)
13	1	W000154	QD-800 - 2" Male (Bolt-On) (Shown)
	1	W000156	QD-800 - 2-1/2" Male (Bolt-On)
14	1	W000155	QD-800 - 2" Female (Shown)
	1	W000157	QD-800 - 2-1/2" Female

(\*) Included In K000026 - Kit - QD Male Hardware

(†) Uses (4) Ø3/16 X 1/8" Grip (304 S/S) Rivets

## QUICK DISCONNECT ASSEMBLIES QD-600





## QUICK DISCONNECT ASSEMBLIES

### QD-600

Item No.	Qty	Part Number	Description
		A000150__	QD-600 - 2" Complete Set (Left) (Shown)
		A000298__	QD-600 - 2" Complete Set (Right)
		A000151__	QD-600 - 2-1/2" Complete Set (Left)
		A000299__	QD-600 - 2-1/2" Complete Set (Right)
1	1	A000082__	QD-600 - 2" Male Assembly (Left) (Shown)
	1	A000084__	QD-600 - 2-1/2" Male Assembly (Left)
	1	A000311__	QD-600 - 2" Male Assembly (Right)
	1	A000312__	QD-600 - 2-1/2" Male Assembly (Right)
2	1	A000083	QD-600 - 2" Female Assembly (Shown)
	1	A000085	QD-600 - 2-1/2" Female Assembly
3	2	M000534	Gasket - QD-600 (2") (Shown)
	2	M000535	Gasket - QD-600 (2-1/2")
4	1	M000559	Plate - QD Main Catch
5	1	M000569__	Plate - QD Back Mounting
6	4	P000040	Bolt - 3/8-16 x 5.5 x 1 Hex (GR 5 M/S FA) *
7	4	P000057	Nut - 3/8-16 Hex Nylon Lock (GR 5 M/S FA) *
8	4	P000093	Bolt - 5/16-18 x 0.75 x 0.75 Hex (F593 304 S/S FB)
9	4	P000109	Washer - 5/16" Flat (0.75" OD) (18-8 S/S FB)
10	1	P000310	Latch - Draw (Non-Locking) (S/S) †
11	1	P000311	Plate - Latch (S/S) †
12	1	P000312	Pin - Wire Locking (S/S)
13	1	W000140	QD-600 - 2" Male (Bolt-On) (Shown)
	1	W000146	QD-600 - 2-1/2" Male (Bolt-On)
14	1	W000141	QD-600 - 2" Female (Shown)
	1	W000147	QD-600 - 2-1/2" Female

(\*) Included In K000026 - Kit - QD Male Hardware

(†) Uses (4) Ø3/16 X 1/8" Grip (304 S/S) Rivets



**NOTES**

---

**NOTES**

---



**Montag Manufacturing, Inc.  
3816 461st Avenue  
Emmetsburg, IA 50536  
Phone: (712) 852-4572  
FAX: (712) 852-4574**

**Tech Support: (712) 852-4572  
or  
support@montagmfg.com**

**Visit us at:  
www.montagmfg.com**