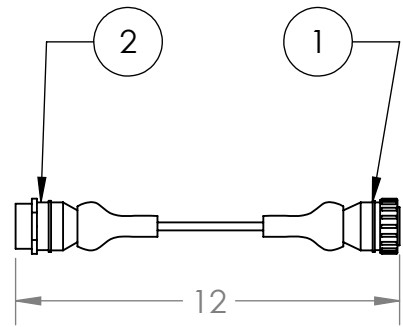
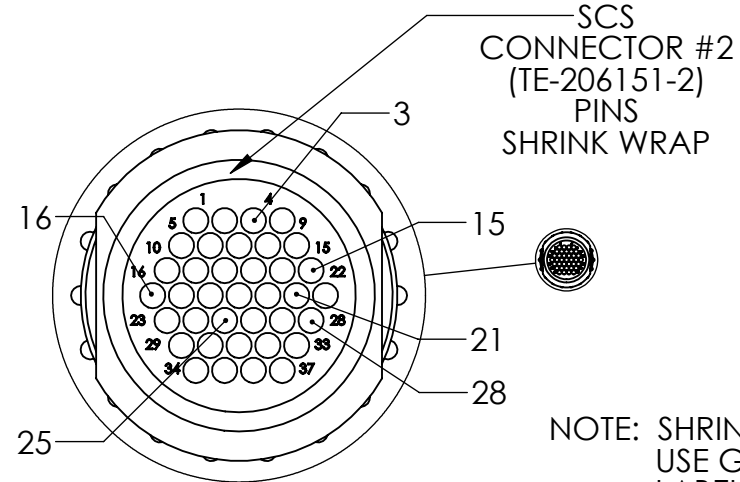
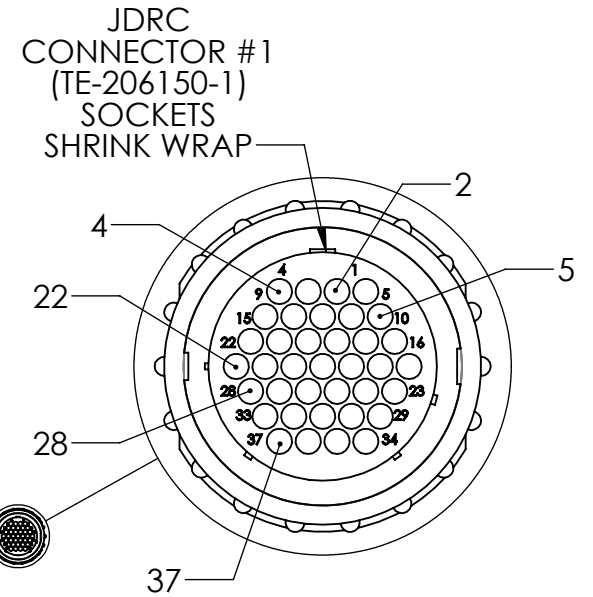


REVISIONS			
REV.	DESCRIPTION	DATE	APPROVAL
A	RELEASED FOR PRODUCTION	3/15/2018	IJM
B	CHANGED PINOUT	8/29/2018	IJM
C	CORRECTED CONNECTOR #1 DESCRIPTION	9/25/2018	IJM



NOTE: SHRINK WRAP ON ALL CONNECTORS. USE GOLD PLATING ON ALL SOCKETS & PINS. LABEL W/ PART#, REV., AND DESCRIPTION.

NOTE: FOR USE WITH SCS 4400 AND HARNESS 115-0171-365



MONTAG MFG
3816 461st AVE,
Emmetsburg, IA 50536

P: 712-852-4572
F: 712-852-4574
www.montagmfg.com

ITEM NO.	QTY.	PART NUMBER	DESCRIPTION
1	1	TE-206150-1	TE Connectivity - 37 pos. Circular Plastic M Connector
2	1	TE-206151-2	TE Connectivity - 37 pos. Circular Plastic M Connector

DO NOT SCALE DRAWING UNLESS OTHERWISE SPECIFIED: DIMENSIONS ARE IN INCHES

TOLERANCES ARE AS FOLLOWS:
FRACTIONAL ± 1/32
ANGULAR: ± 1
TWO PLACE DECIMAL ±.03
THREE PLACE DECIMAL ±.003

MATERIAL N/A
FINISH N/A

CONFIDENTIAL:
This drawing and design is proprietary and confidential to Montag Manufacturing, Inc.

DRAWN	NAME	DATE
	SEC	03/14/18
APPROVED	IJM	09/25/18

COMMENTS:
18 GA GXL WIRE

TITLE:
Harness - 37 Pin Raven SCS to 37 Pin GreenStar JDRC

SIZE	PART. NO.	REV
A	P002831	C
SCALE: 1:6	WEIGHT: 2.76	SHEET 1 OF 1