



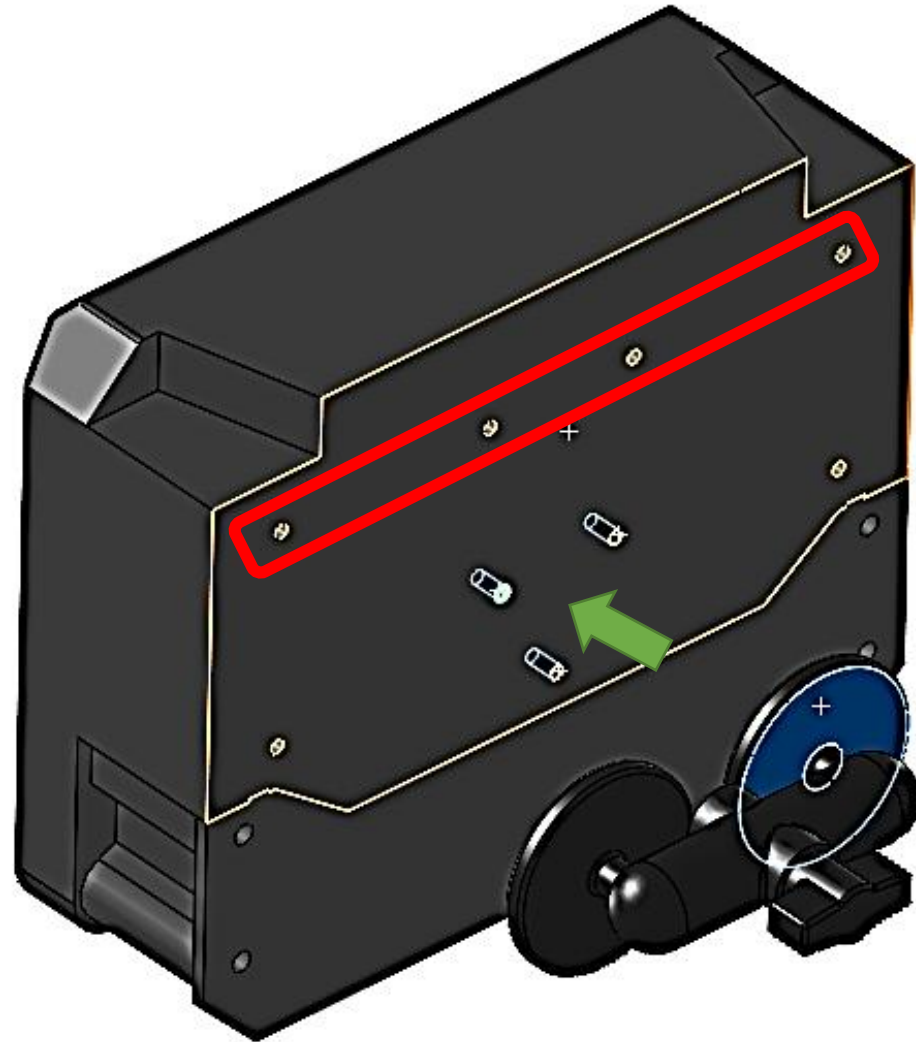
Point Cab Mount Installation Instructions

**Please refer to Point Quick Start Guide for
further instructions**

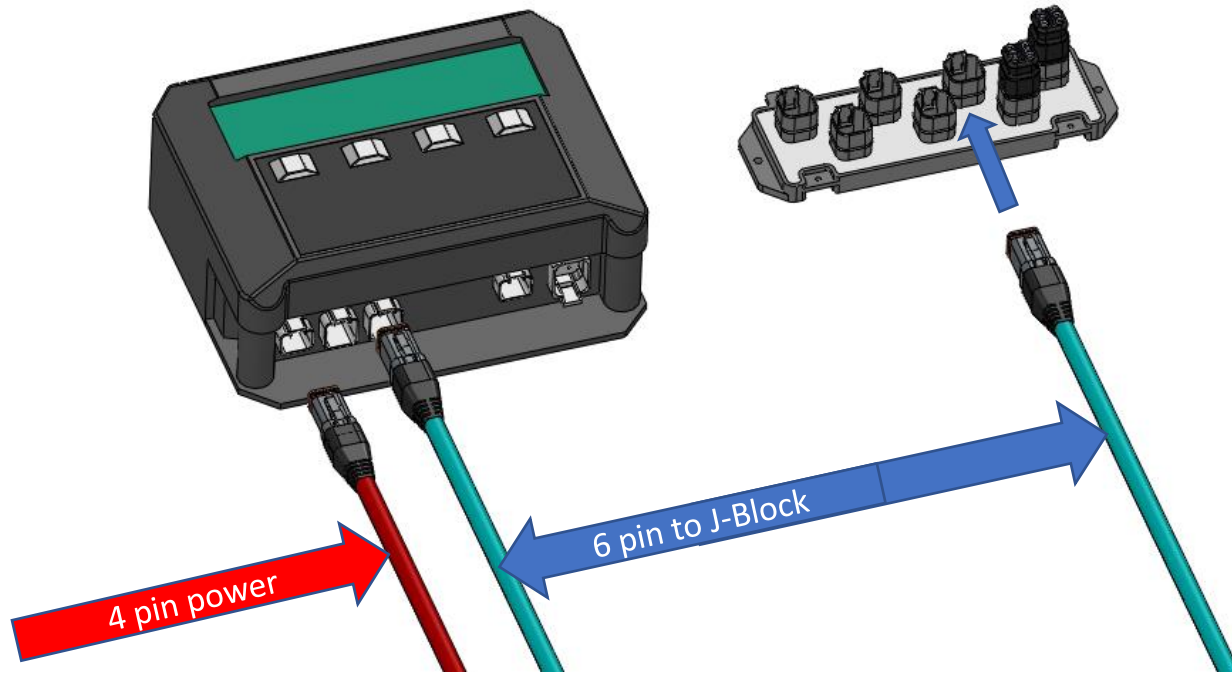
REMOVE SCREWS
FROM UPPER "POINT"
RAIL MOUNT AND
INSTALL RAM MOUNT
AS SHOWN W/ 3 OF
THE 4 SCREWS

MOUNT OTHER END
OF RAM INSIDE THE
TRACTOR

FOR TWO BIN SYSTEM,
REPEAT FOR SECOND
DISPLAY



MONTAG 1 PRODUCT POINT INSTALL



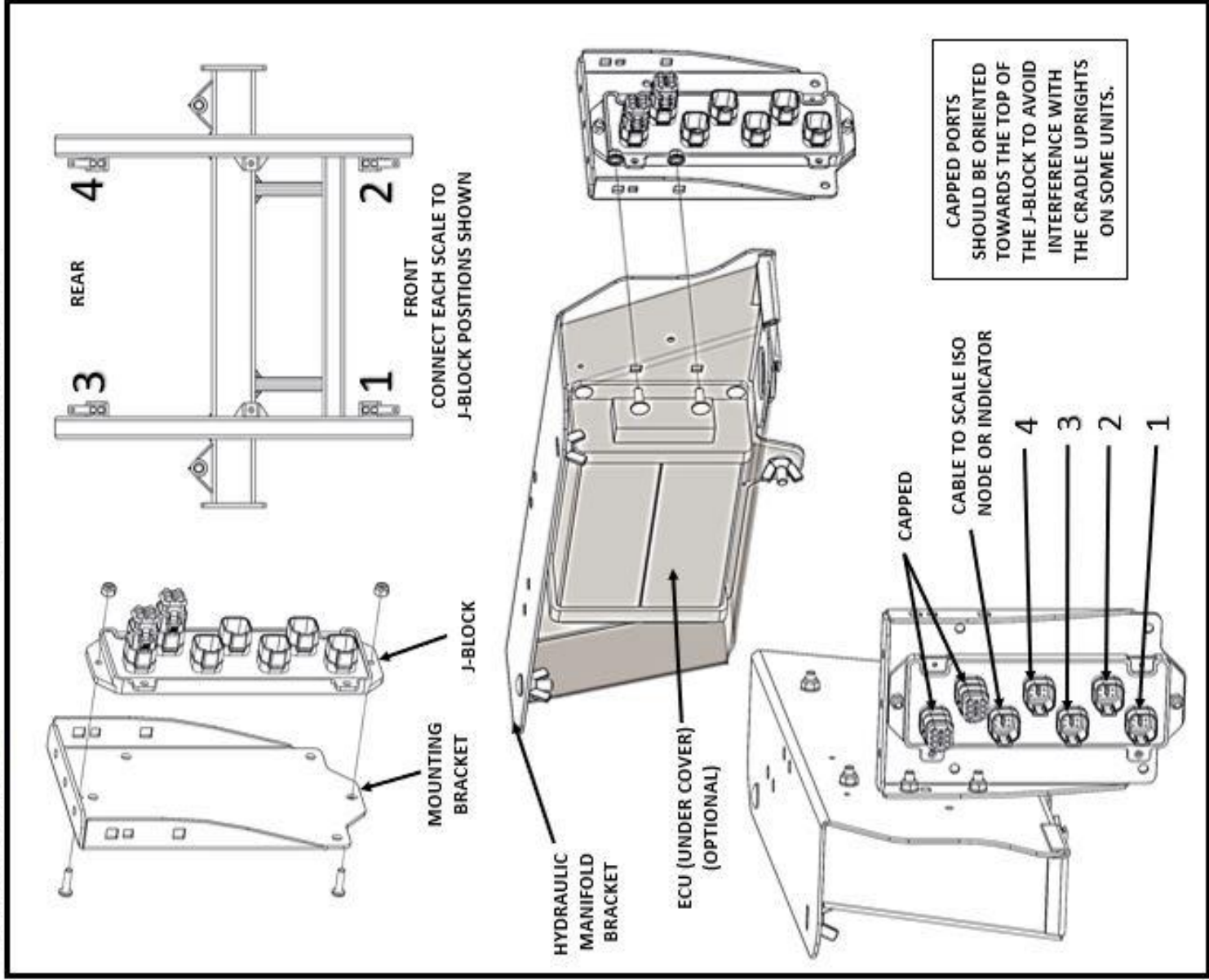
1. Connect 4 Pin DT to power in cab and then 4 Pin plug in port as shown.

2. Install 6 Pin DT plug in Point port shown. Other end connects to 7 Way 6 Pin DT J-block found on the dry box. This is located in different places based on the model

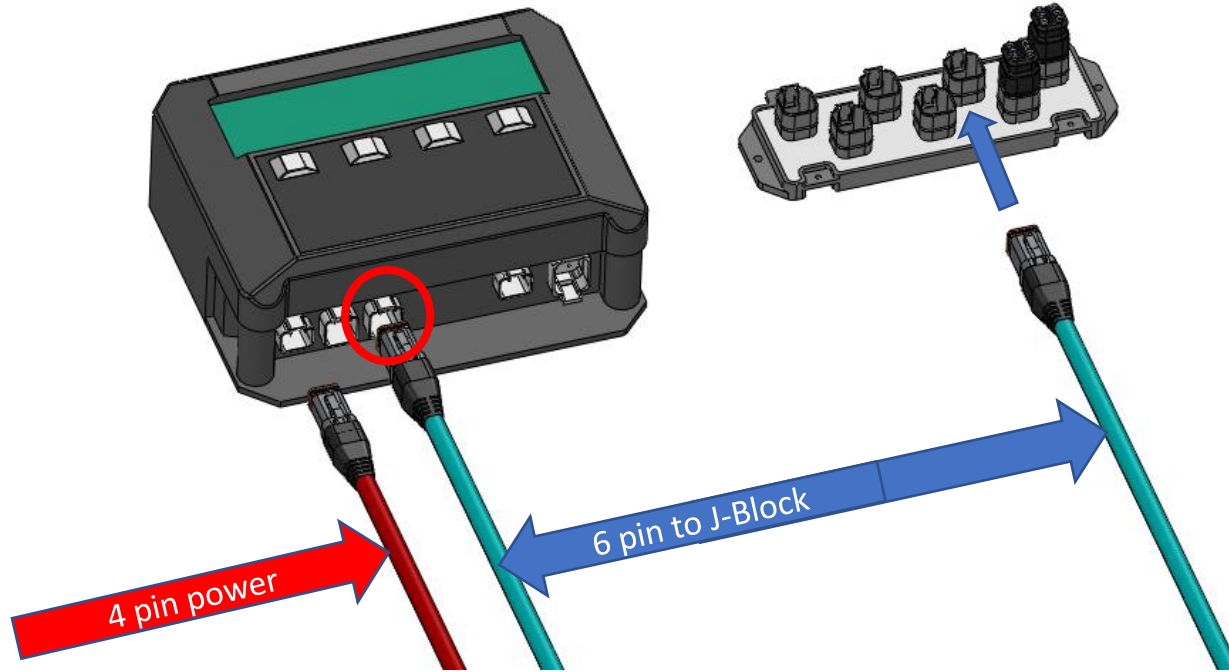
Remove DT 6-Pin to M12 harness on machine and store for later use w/ Scale-Tec SL2 Scale Node



GEN 1 J-BLOCK MOUNTING INSTRUCTIONS (2021+)



MONTAG 2 PRODUCT POINT INSTALL



1. Connect 4 Pin DT to power in cab and then 4 Pin plug in port as shown.

2. Install 6 Pin DT plug in Point port **shown** for Tank 1. Connect the other end to 7 Way 6 Pin DT J-block found on the Tank 1 side.

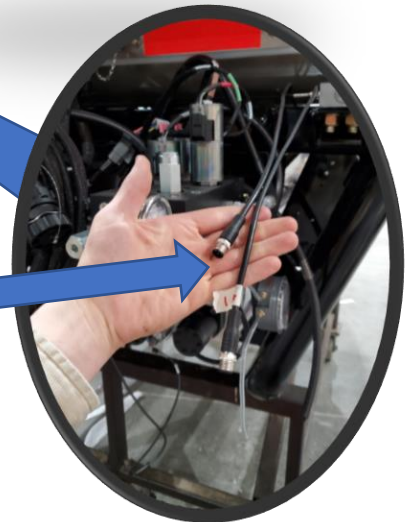
Remove DT 6-Pin to M12 harness on machine and store for later use w/ Scale-Tec SL2 Scale Node

Repeat steps 1 & 2 for Tank 2

Tank 2 J-Block



Tank 1 J-Block



6 Pin DT J-Blocks locations on 2218 are shown above circled in Red

Remove (2) DT 6-Pin to M12 harnesses on machine and store for later use w/ Scale-Tec SL2 Scale Node